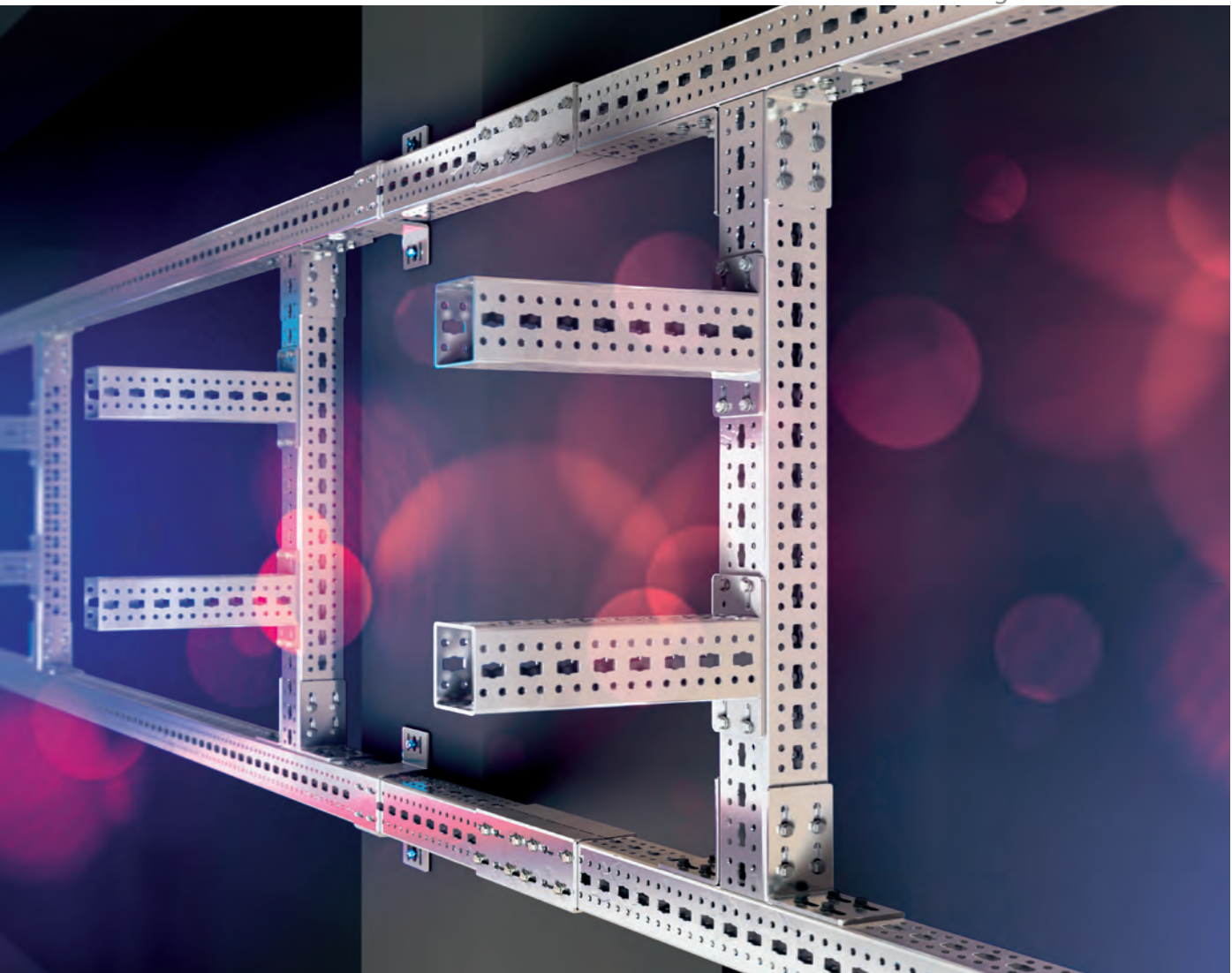




# RSP

Rectangular Smart Profile



# RSP

Please visit our website for the updated version of our catalogues.  
[www.eaeelectric.com](http://www.eaeelectric.com)



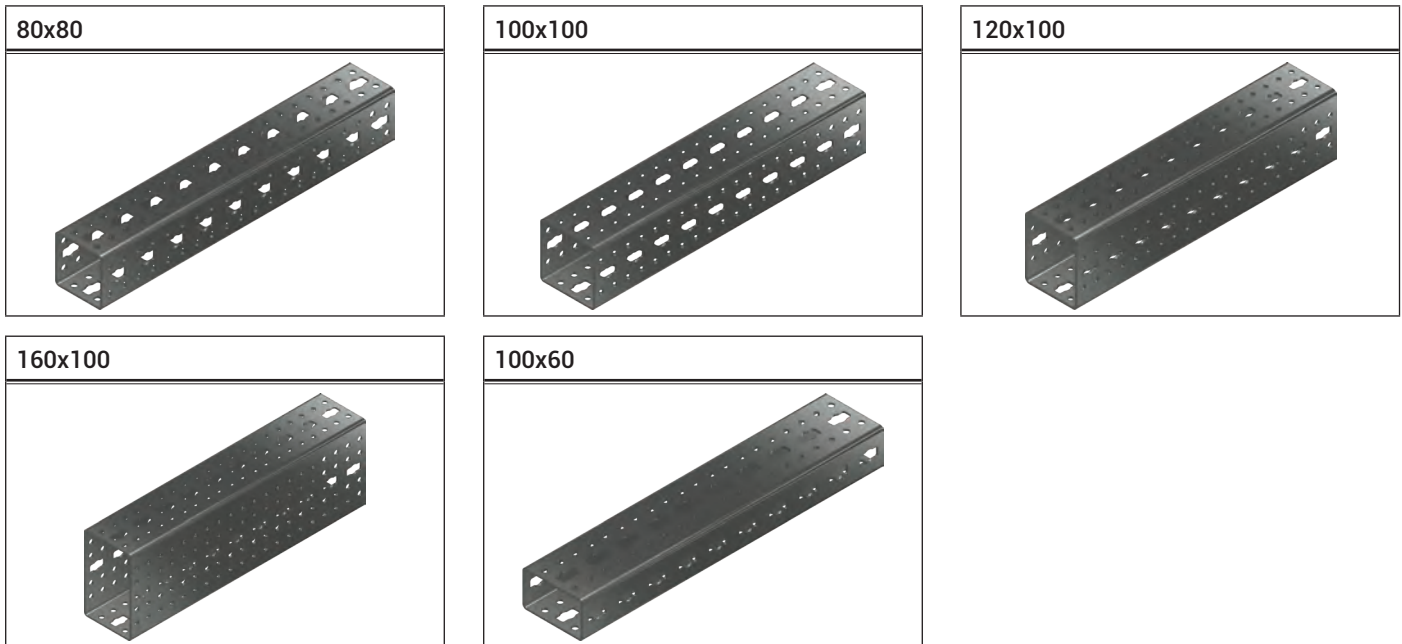
# CONTENTS

---

▶▶ RSP

---

Industrial, Modular Structure Profile Carriers .....	4
Connecting Bolts .....	5
Protection Cover .....	6
Gusset Mounting .....	7
L - Shaped Elbow Bracket.....	8
Horizontal Corner Plate.....	9
Vertical Corner Plate .....	10
Omega Connector Brace.....	11
L-Shaped Braced Elbow Bracket .....	12
Concrete Mounting Bracket .....	13
Concrete Installation Bracket.....	14
Beam Assembly Bracket.....	15
Beam Console .....	16
Beam Pressure Clamp .....	17
Horizontal Beam Bracket.....	18
Vertical Beam bracket.....	19
Beam Securing U Bolt.....	20
U-Shaped Floor Bracket.....	21
Angle Floor Bracket.....	22
Declaration .....	23



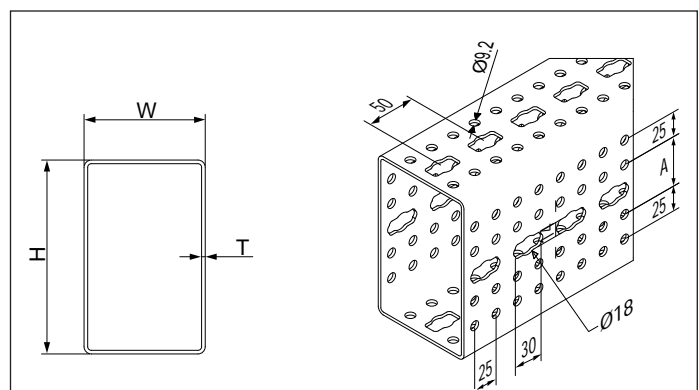
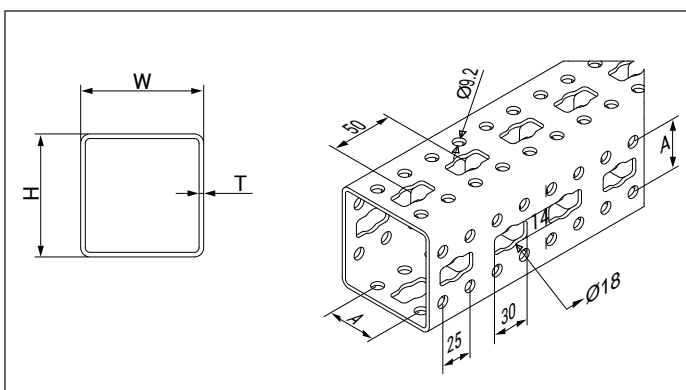
## System Features

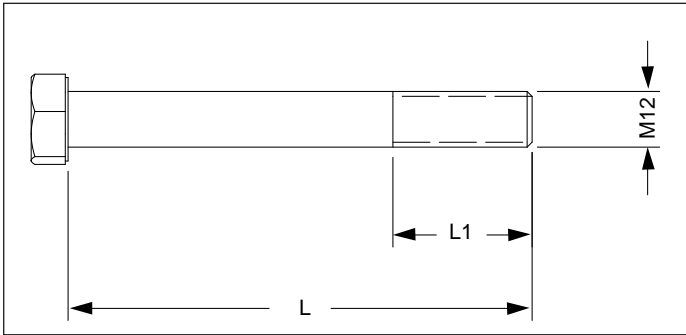
- Function: The modular structure is used for profile purposes.
- Accessories: Bolt sets must be ordered separately.

## Technical Information

- Material: Steel
- Surface: Hot Dip Galvanized EN ISO 1461

Product	Thickness T (mm)	Height H (mm)	Width W (mm)	A (mm)	Standard Length L (mm)	Hot Dip Galvanized (TS EN ISO 1461)	
						Weight (kg/m)	Order Code
80 RSP 80 STD PROFILE	3	80	80	40	6000	6,309	3292514
	4	80	80	40	6000	8,184	
100 RSP 60 STD PROFILE	3	100	60	50	6000	6,584	3292516
	4	100	60	50	6000	8,551	
100 RSP 100 STD PROFILE	3	100	100	50	6000	8,381	3292518
	4	100	100	50	6000	10,947	
120 RSP 100 STD PROFILE	3	120	100	50	6000	9,417	3292520
	4	120	100	50	6000	12,329	
160 RSP 100 STD PROFILE	3	160	100	50	6000	11,190	3292522
	4	160	100	50	6000	14,693	





M10x20  
SMART SCREW



AKB BOLT, NUT,  
WASHER SET



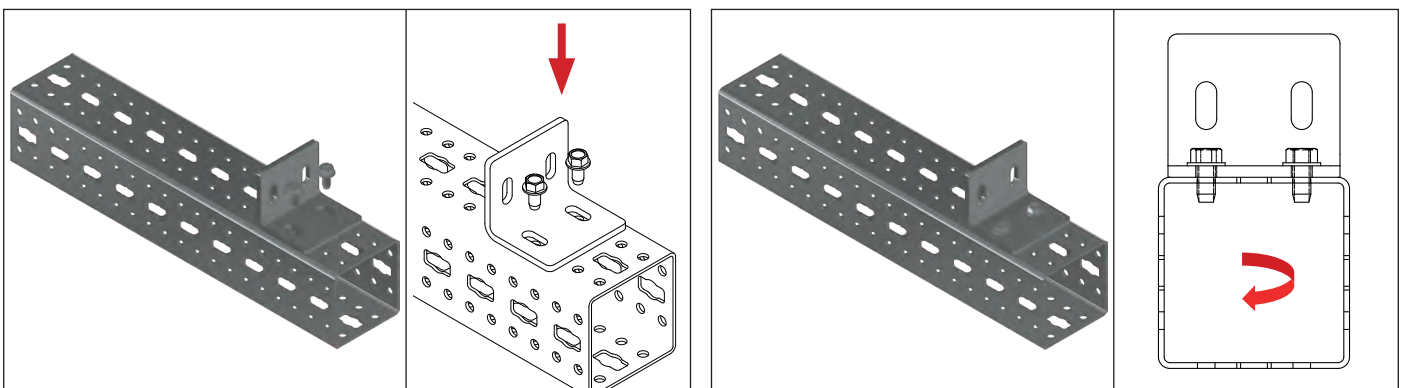
## System Features

- Function: The modular structure is used for profile purposes.
- Accessories: Bolt sets must be ordered separately.

## Technical Information

- Material: Steel
- Surface: Hot Dip Galvanized EN ISO 1461

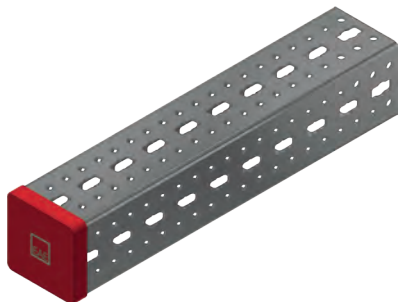
Product	Standard Length L (mm)	L1 (mm)	Hot Dip Galvanized (TS EN ISO 1461)	
			Weight (kg/m)	Order Code
M10X20 RSP-BLT	20	-	0,024	1041993
M12x100 AKB BOLT SET	100	30	0,124	3275408
M12x120 AKB BOLT SET	120	30	0,141	3179534
M12x140 AKB BOLT SET	140	36	0,159	3179535
M12x150 AKB BOLT SET	150	36	0,168	3179537



# RSP

► Rectangular Smart Profile

► Protection Cover



## System Features

- Function: The modular structure is used for profile purposes.

## Technical Information

- Material: Plastic

Product	Weight (kg./pc.)	Order Code
80 RSP 80 PCP	0,024	1021634
100 RSP 60 PCP	0,024	1046946
100 RSP 100 PCP	0,034	1021635
120 RSP 100 PCP	0,039	1021636
160 RSP 100 PCP	0,049	1046947

80x80



100x100



120x100

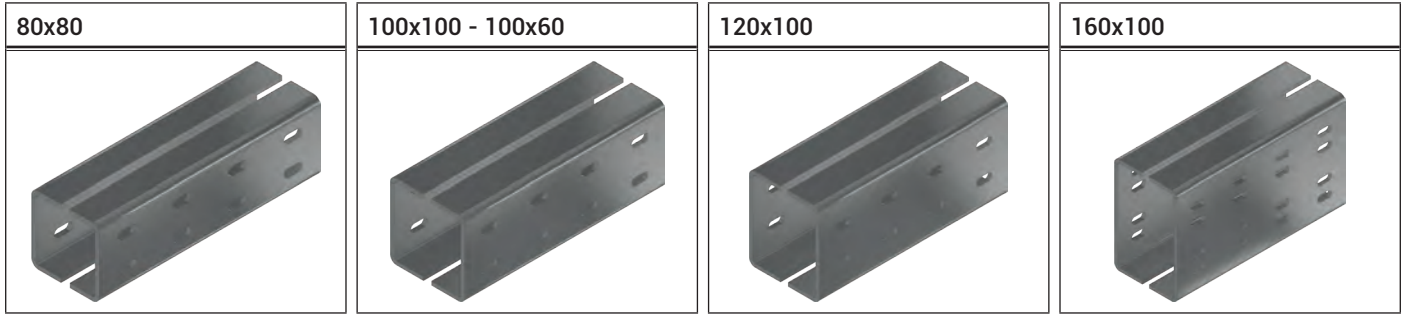


160x100



100x60



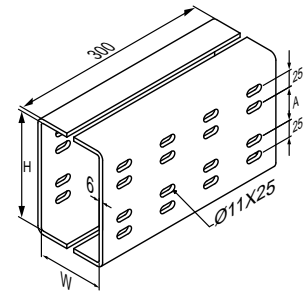


### System Features

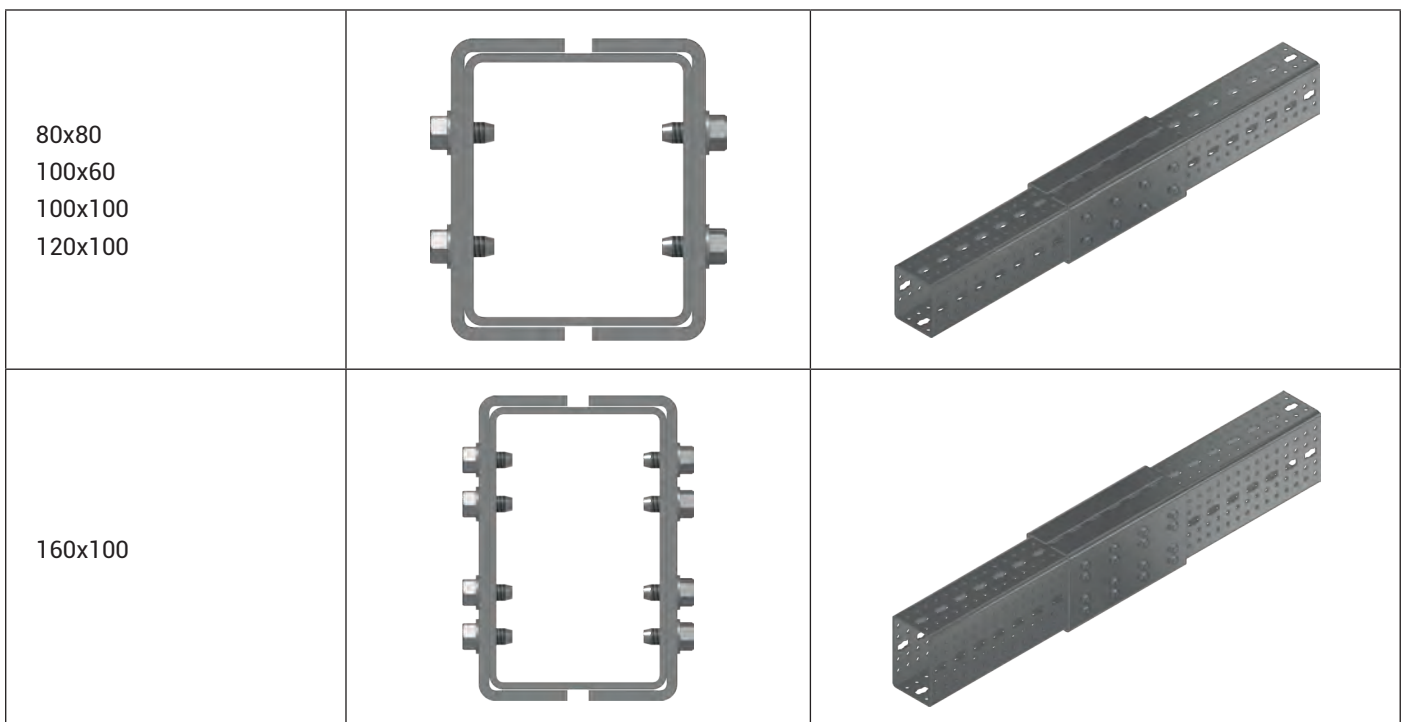
- Function: Profile is used for connection purpose.
- Accessories: Bolt sets must be ordered separately.

### Technical Information

- Material: Steel
- Surface: Hot Dip Galvanized EN ISO 1461



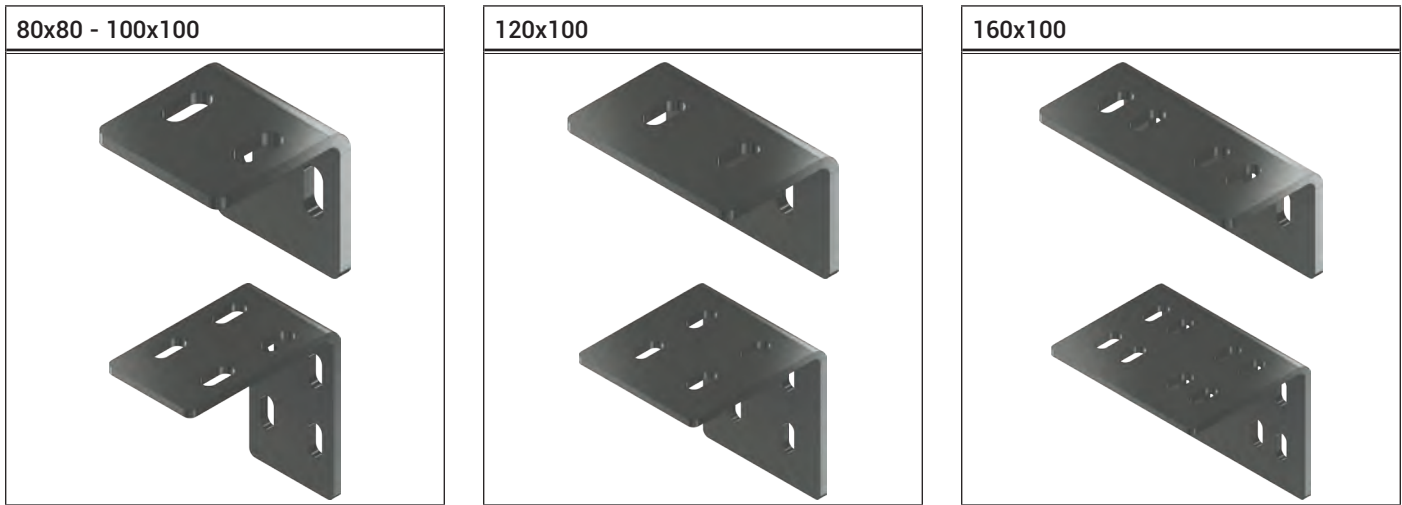
Product	Amount Of Bolts Required	A (mm)	H (mm)	W (mm)	Hot Dip Galvanized (TS EN ISO 1461)	
					Weight (kg/m)	Order Code
80 RSP 80 JFP	8	40	81	80	4,589	3292421
100 RSP 60 JFP	8	50	101	60	2,295	3294547
100 RSP 100 JFP	8	50	101	100	5,832	3292422
120 RSP 100 JFP	8	50	121	100	6,455	3292423
160 RSP 100 JFP	16	50	161	100	7,491	3292424



# RSP

## ► Rectangular Smart Profile

### ► L-Shaped Elbow Bracket

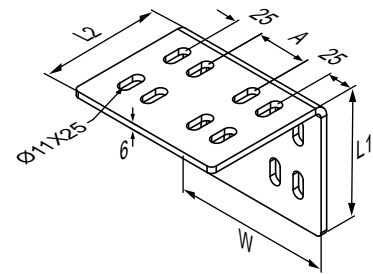


### System Features

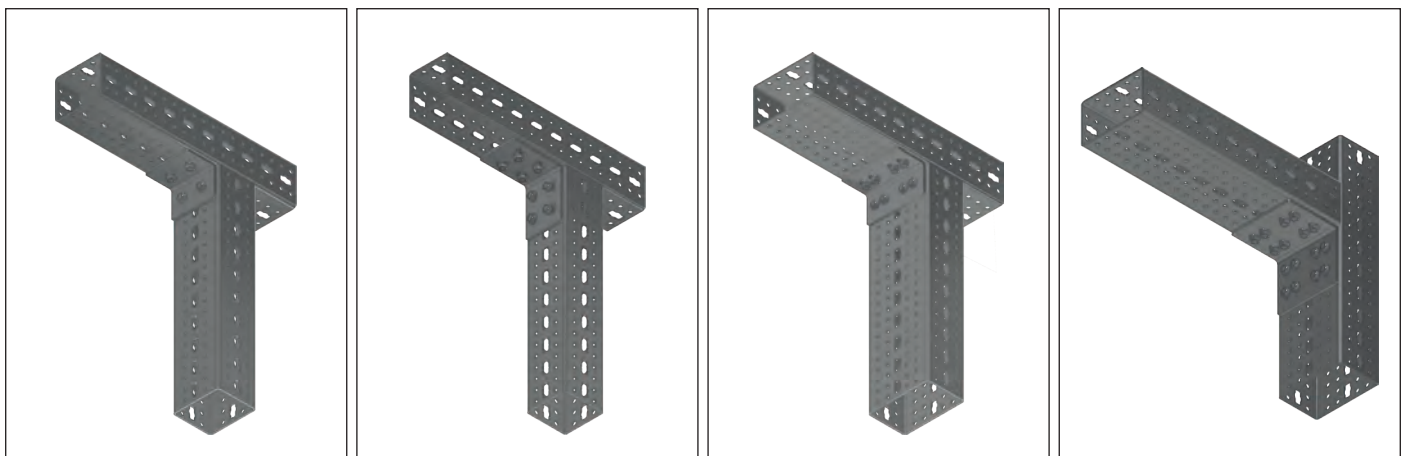
- Function: Profile corner joining
- Accessories: Bolt sets must be ordered separately.

### Technical Information

- Material: Steel
- Surface: Hot Dip Galvanized EN ISO 1461



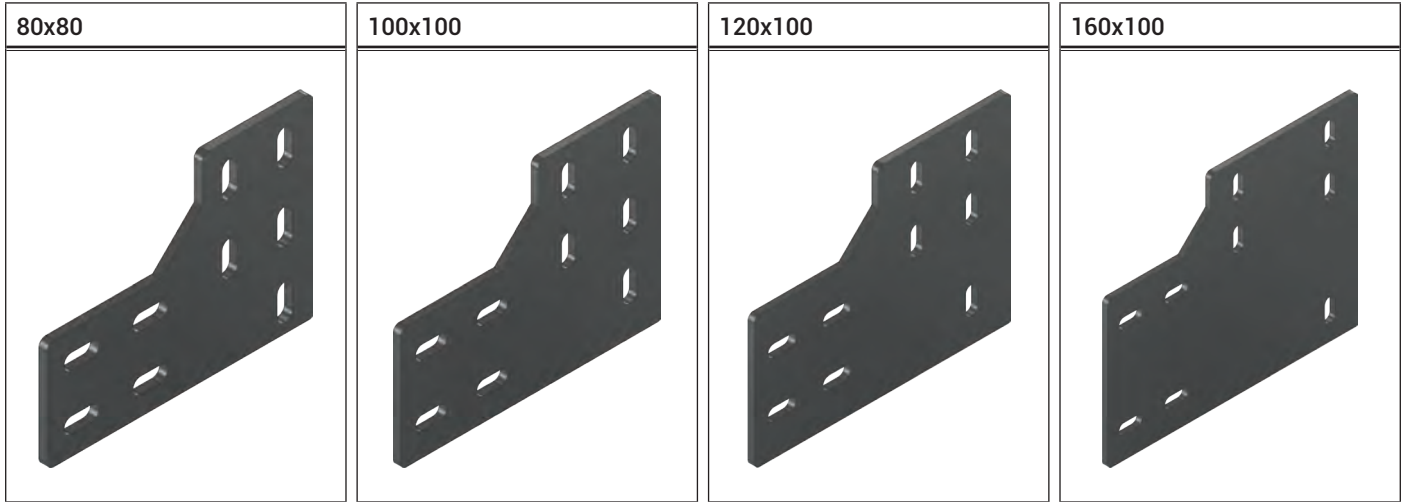
Product	Amount Of Bolts Required	W (mm)	L1 (mm)	L2 (mm)	A (mm)	Hot Dip Galvanized (TS EN ISO 1461)	
						Weight (kg/m)	Order Code
80 RSP 80 L2	4	70	75	75	40	0,453	3292425
80 RSP 80 L4	8	70	125	125	40	0,765	3292426
100 RSP 100 L2	4	90	75	75	50	0,598	3292427
100 RSP 100 L4	8	90	125	125	50	1,013	3292428
120 RSP 100 L2	4	110	75	75	50	0,743	3292429
120 RSP 100 L4	8	110	125	125	50	1,261	3292430
160 RSP 100 L2	8	150	75	75	50	0,980	3292431
160 RSP 100 L4	16	150	125	125	50	1,654	3292432





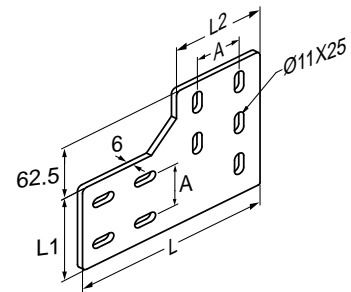
# RSP

- Rectangular Smart Profile
- Horizontal Corner Plate



## System Features

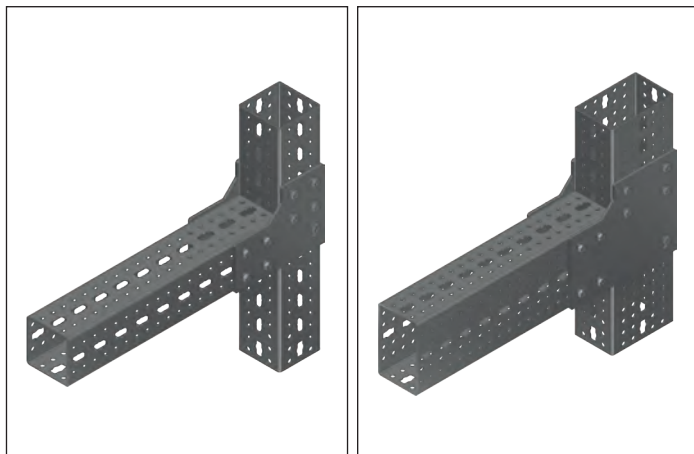
- Function: Profile corner joining.  
It must be mounted on two opposite surfaces!  
One-sided mounting should not be done!
- Accessories: Bolt sets must be ordered separately.

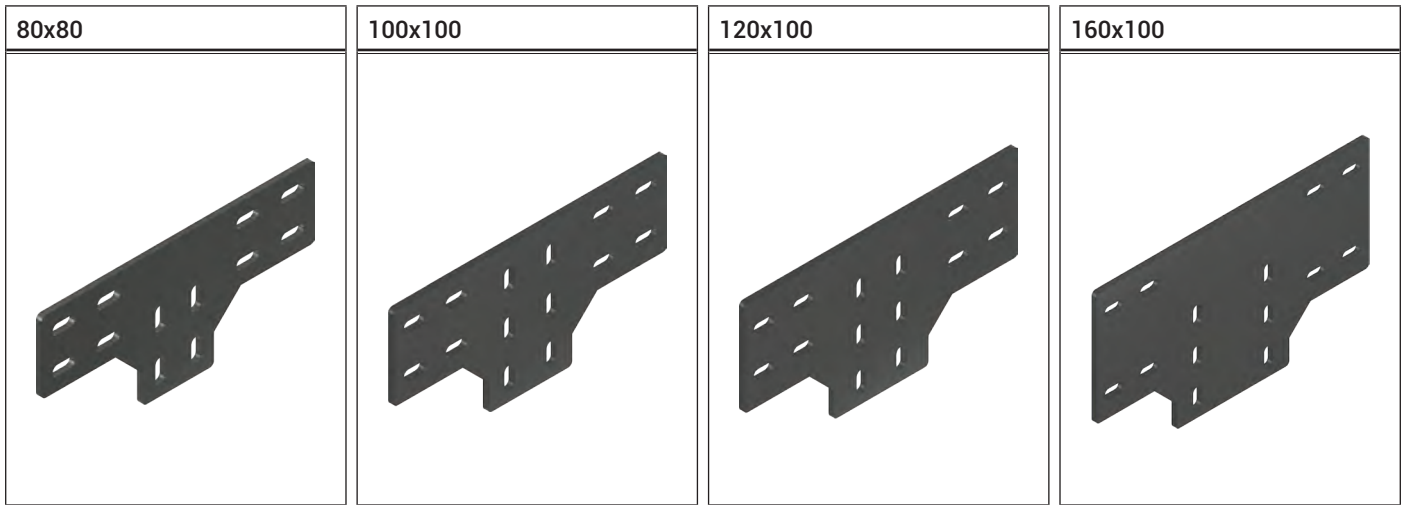


## Technical Information

- Material: Steel
- Surface: Hot Dip Galvanized EN ISO 1461

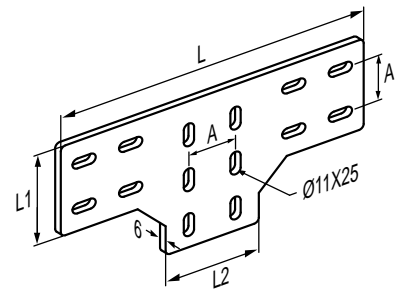
Product	Amount Of Bolts Required	L (mm)	L1 (mm)	L2 (mm)	A (mm)	Hot Dip Galvanized (TS EN ISO 1461)	
						Weight (kg/m)	Order Code
80 RSP 80 LP	12	192	80	142	40	1,292	3292437
100 RSP 100 LP	14	212	100	162	50	1,626	3292438
120 RSP 100 LP	14	232	120	182	50	1,999	3292439
160 RSP 100 LP	14	272	160	222	50	2,856	3292440





### System Features

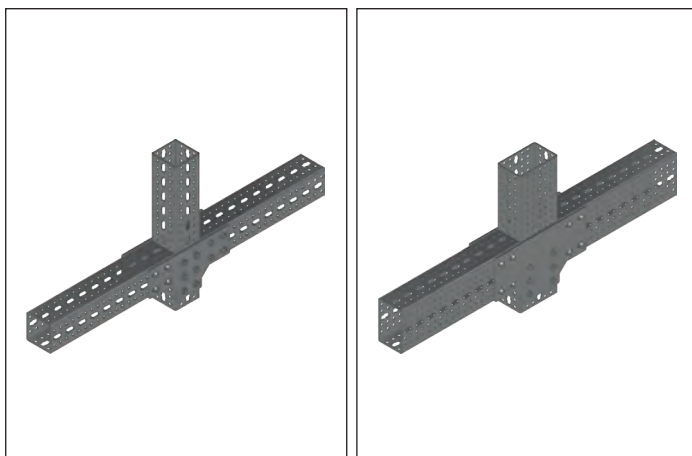
- Function: Profile corner joint.  
It must be mounted on two opposite surfaces!  
One-sided mounting should not be done!
- Accessories: Bolt sets must be ordered separately.



### Technical Information

- Material: Steel
- Surface: Hot Dip Galvanized EN ISO 1461

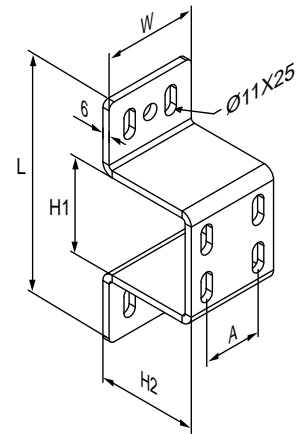
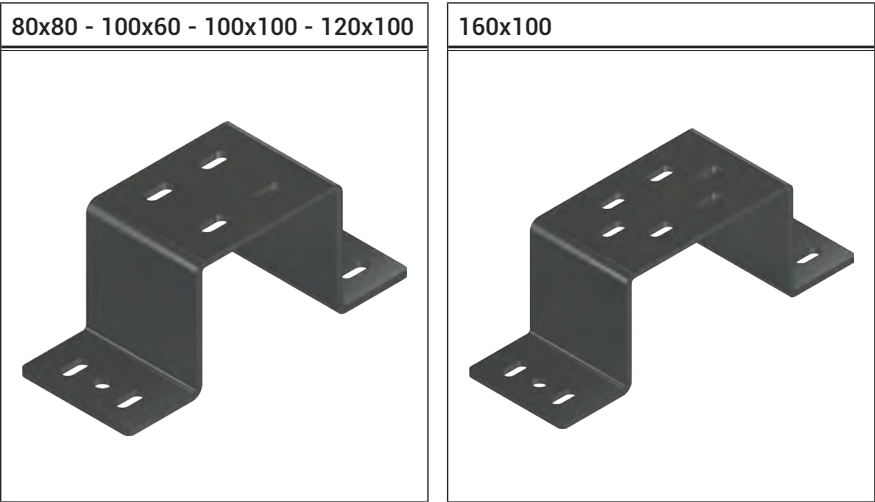
Product	Amount Of Bolts Required	L (mm)	L1 (mm)	L2 (mm)	A (mm)	Hot Dip Galvanized (TS EN ISO 1461)	
						Weight (kg/m)	Order Code
80 RSP 80 TP	8	305	80	80	40	1,414	3292441
100 RSP 100 TP	8	325	100	100	50	1,872	3292442
120 RSP 100 TP	8	345	120	120	50	2,398	3292443
160 RSP 100 TP	8	385	160	160	50	3,574	3292444



# RSP

## ►Rectangular Smart Profile

### ►Omega Connector Brace



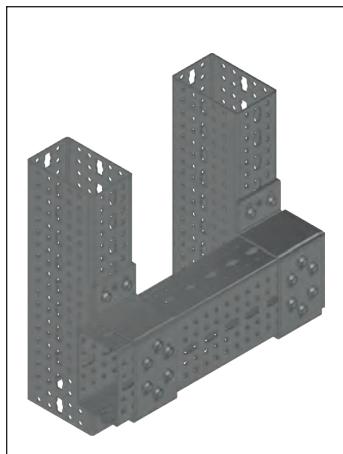
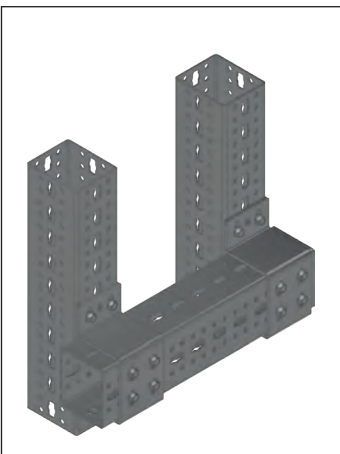
### System Features

- Function: Profile is used for connection purpose.
- Accessories: Bolt sets must be ordered separately.

### Technical Information

- Material: Steel
- Surface: Hot Dip Galvanized EN ISO 1461

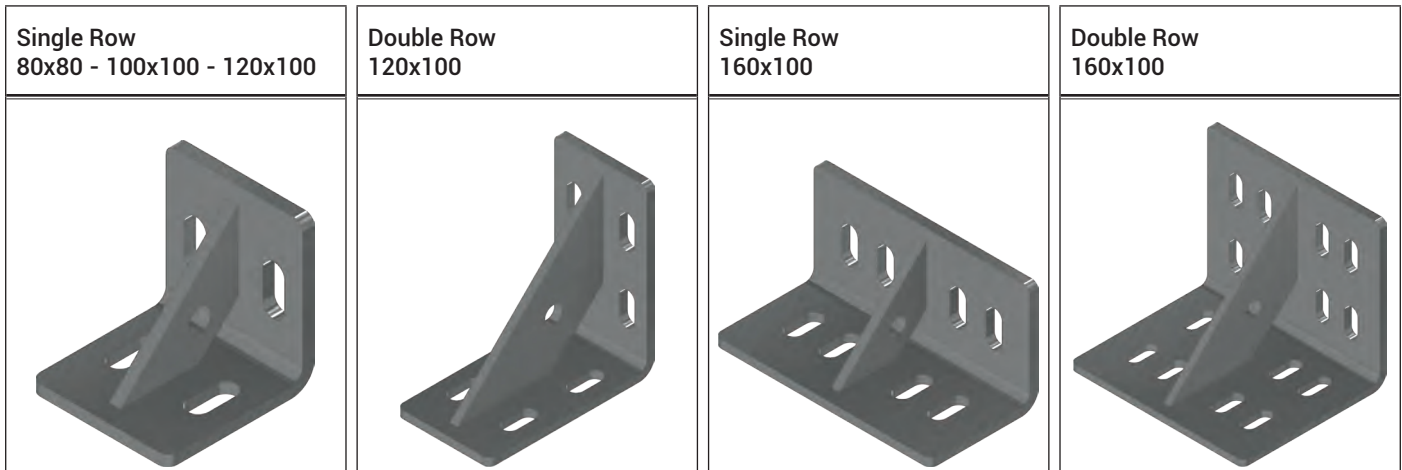
Product	Amount Of Bolts Required	L (mm)	H1 (mm)	H2 (mm)	W (mm)	A (mm)	Hot Dip Galvanized (TS EN ISO 1461)	
							Weight (kg/m)	Order Code
80 RSP 80 OP	8	202	82	86	80	40	1,330	3292446
100 RSP 60 OP	8	246	102	66	100	50	1,713	3294551
100 RSP 100 OP	8	252	102	106	100	50	2,158	3292447
120 RSP 100 OP	8	256	122	106	120	50	2,179	3292448
160 RSP 100 OP	10	306	162	106	160	50	2,412	3292449



# RSP

## ► Rectangular Smart Profile

### ► L-Shaped Braced Elbow Bracket

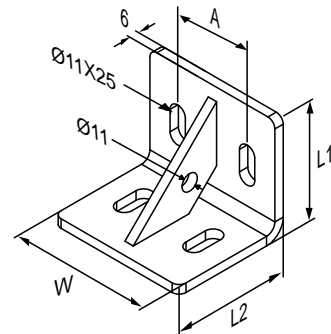


### System Features

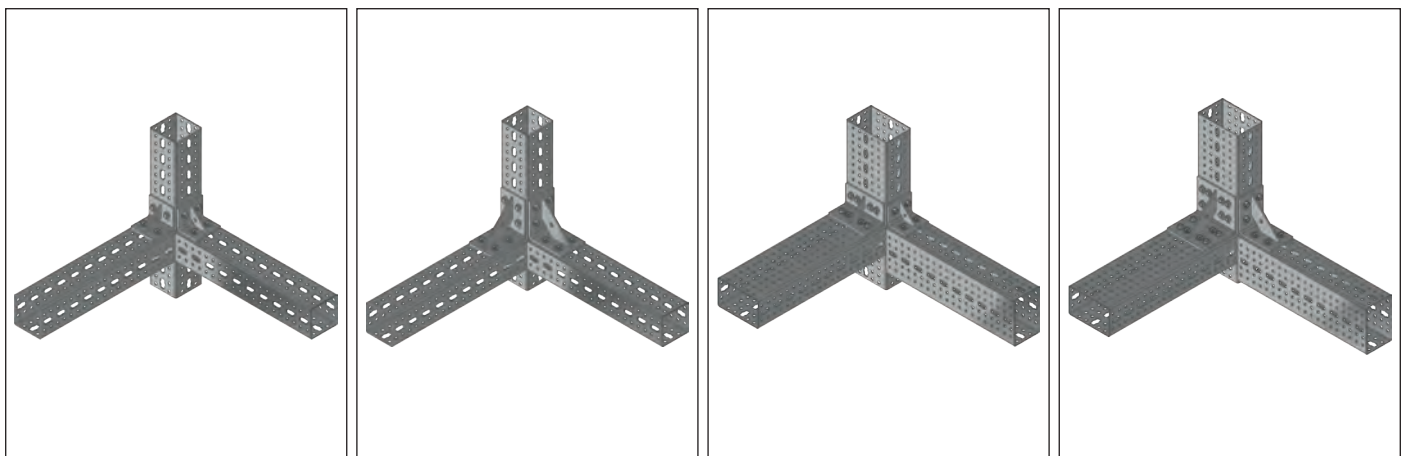
- Function: Profile is used for connection purpose.
- Accessories: Bolt sets must be ordered separately.

### Technical Information

- Material: Steel
- Surface: Hot Dip Galvanized EN ISO 1461

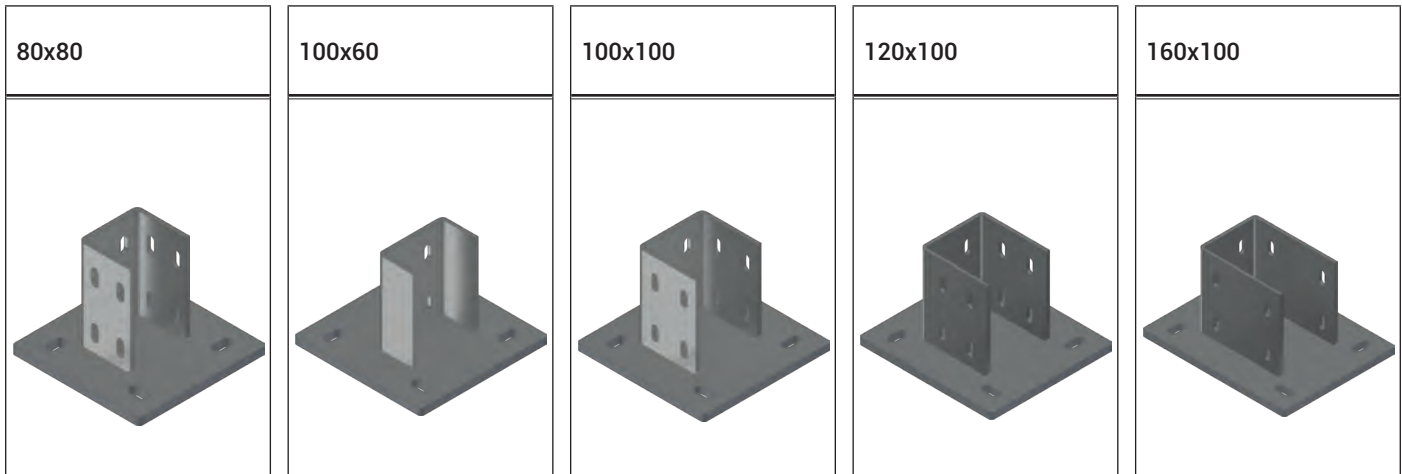


Product	Amount Of Bolts Required	A (mm)	W (mm)	L1 (mm)	L2 (mm)	Hot Dip Galvanized (TS EN ISO 1461)	
						Weight (kg/m)	Order Code
80 RSP 80 LS2	4	40	70	75	75	0,534	3292450
80 RSP 80 LS4	8	40	70	125	125	1,032	3292451
100 RSP 100 LS2	4	50	90	75	75	0,679	3292452
100 RSP 100 LS4	8	50	90	125	125	1,280	3292453
120 RSP 100 LS2	4	50	110	75	75	0,824	3292454
120 RSP 100 LS4	8	50	110	125	125	1,529	3292455
160 RSP 100 LS2	8	50	150	75	75	1,063	3292457
160 RSP 100 LS4	16	50	150	125	125	1,924	3292458



# RSP

- Rectangular Smart Profile
- Concrete Mounting Bracket

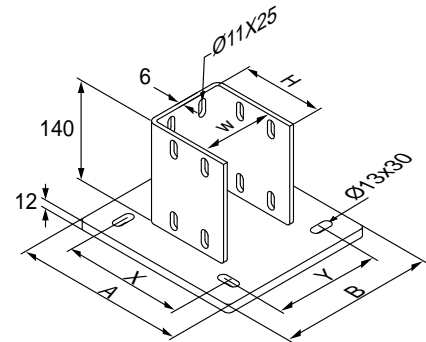


## System Features

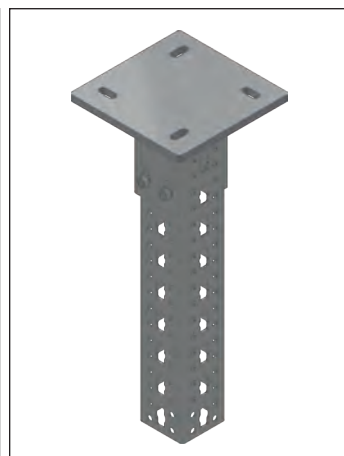
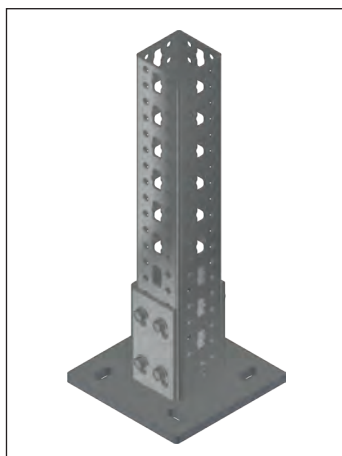
- Function: Concrete mounting bracket; floor plate welded to U-piece Ready for shipment.
- Accessories: Bolt sets must be ordered separately.

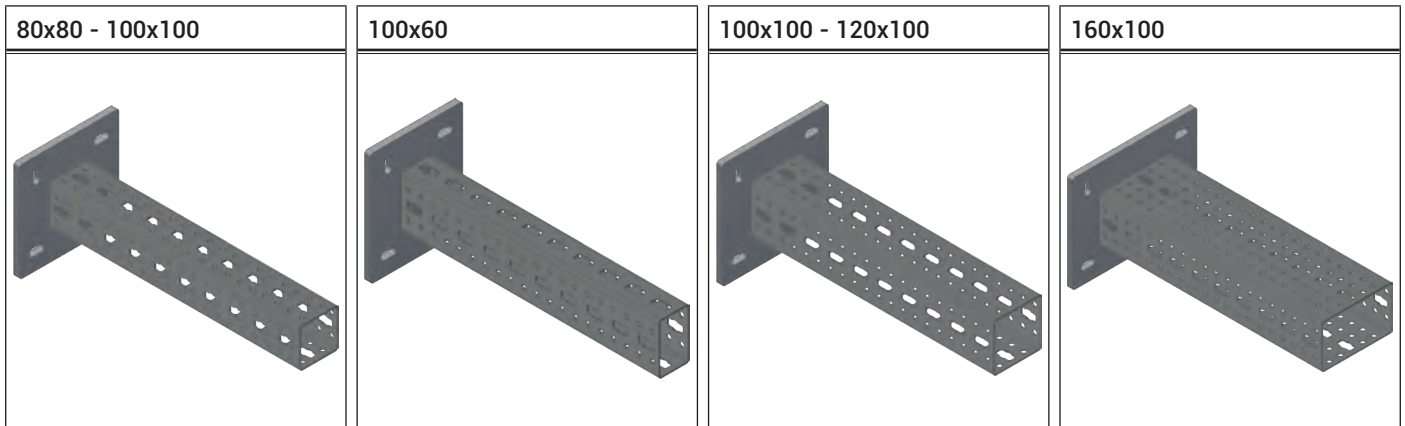
## Technical Information

- Material: Steel
- Surface: Hot Dip Galvanized EN ISO 1461



Product	Amount Of Bolts Required	W (mm)	H (mm)	A (mm)	B (mm)	X (mm)	Y (mm)	Hot Dip Galvanized (TS EN ISO 1461)	
								Weight (kg/m)	Order Code
80 RSP 80 CP	8	81	76	200	200	130	130	5,462	3292459
100 RSP 60 CP	4	101	56	180	220	110	150	6,373	3292460
100 RSP 100 CP	8	101	96	220	220	150	150	6,851	3292461
120 RSP 100 CP	8	101	116	240	220	170	150	7,597	3292462
160 RSP 100 CP	8	101	156	280	220	210	150	9,089	3292463



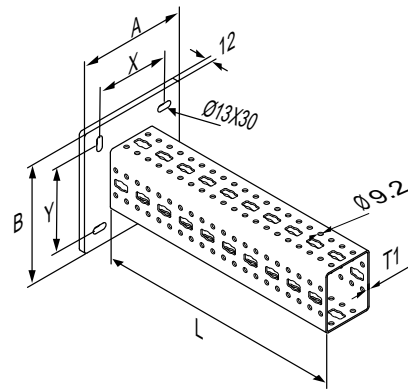


## System Features

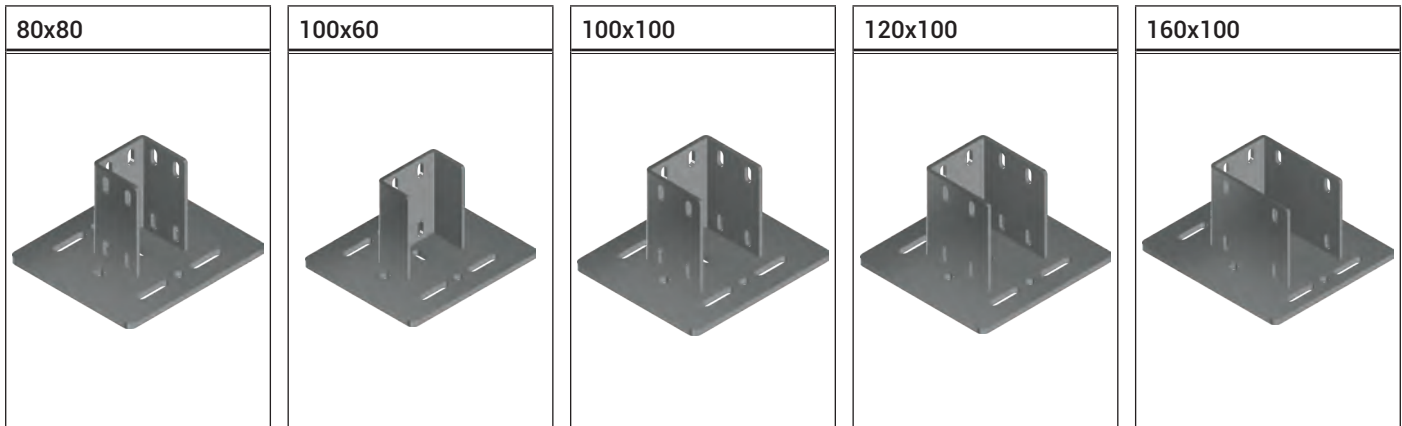
- Function: Profile corner joining
- Accessories: Bolt sets must be ordered separately.

## Technical Information

- Material: Steel
- Surface: Hot Dip Galvanized EN ISO 1461



Product	L (mm)	T1 (mm)	A (mm)	B (mm)	X (mm)	Y (mm)	Hot Dip Galvanized (TS EN ISO 1461)	
							Weight (kg/m)	Order Code
80 RSP 80 CPD 500	500	3	200	200	130	130	7,149	3292406
80 RSP 80 CPD 1000	1000	3	200	200	130	130	10,304	3292407
80 RSP 80 CPD 1500	1500	3	200	200	130	130	13,457	3292408
100 RSP 60 CPD 500	500	3	220	220	150	150	7,246	3292409
100 RSP 60 CPD 1000	1000	3	220	220	150	150	10,537	3292410
100 RSP 60 CPD 1500	1500	3	220	220	150	150	13,171	3292411
100 RSP 100 CPD 500	500	3	220	220	150	150	9,056	3292412
100 RSP 100 CPD 1000	1000	3	220	220	150	150	13,246	3292413
100 RSP 100 CPD 1500	1500	3	220	220	150	150	17,436	3292414
120 RSP 100 CPD 500	500	3	240	240	150	170	10,030	3292415
120 RSP 100 CPD 1000	1000	3	240	240	150	170	14,738	3292416
120 RSP 100 CPD 1500	1500	3	240	240	150	170	19,447	3292417
160 RSP 100 CPD 500	500	3	280	220	210	150	11,840	3292418
160 RSP 100 CPD 1000	1000	3	280	220	210	150	17,447	3292419
160 RSP 100 CPD 1500	1500	3	280	220	210	150	23,054	3292420

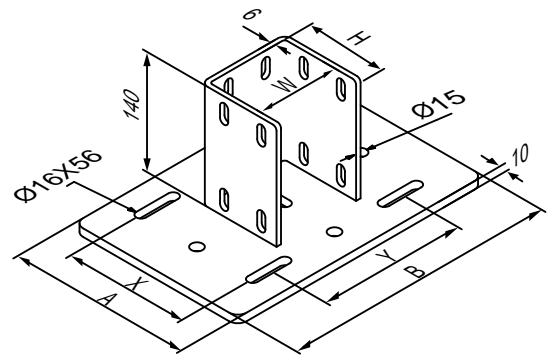


## System Features

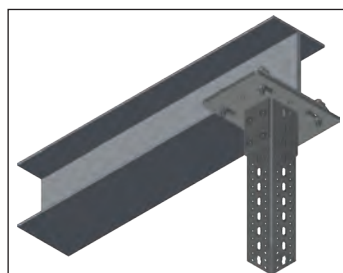
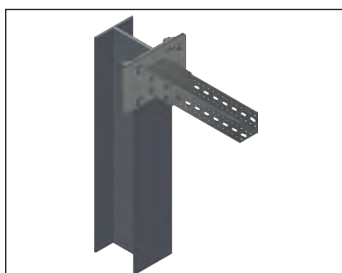
- Function: Profile corner joining
- Accessories: Bolt sets must be ordered separately.

## Technical Information

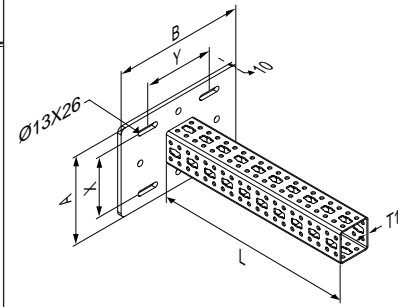
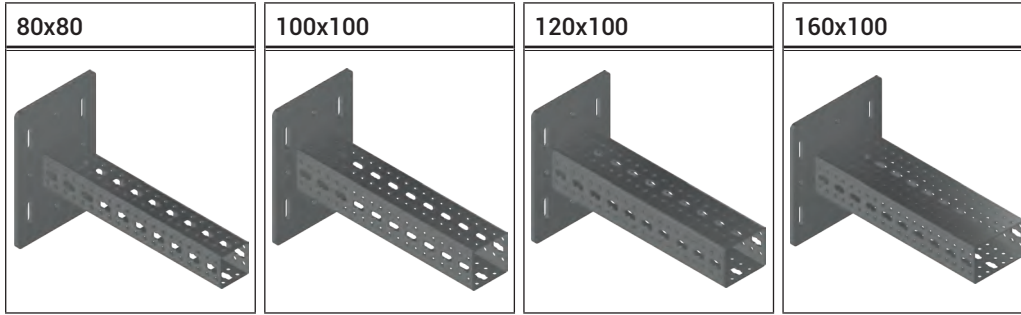
- Material: Steel
- Surface: Hot Dip Galvanized EN ISO 1461



Product	Amount Of Bolts Required	Beam Width (mm)	W (mm)	H (mm)	A (mm)	B (mm)	X (mm)	Y (mm)	Hot Dip Galvanized (TS EN ISO 1461)	
									Weight (kg/m)	Order Code
80 RSP 80 BP	8	42-120	81	76	220	250	150	97	5,417	3292464
80 RSP 80 BP	8	121-200	81	76	220	330	150	177	6,798	3292465
80 RSP 80 BP	8	201-300	81	76	220	430	150	277	8,525	3292466
100 RSP 60 BP	4	42-120	101	56	220	250	150	97	5,379	3292467
100 RSP 60 BP	4	121-200	101	56	220	330	150	177	6,76	3292468
100 RSP 60 BP	4	201-300	101	56	220	430	150	277	8,487	3292469
100 RSP 100 BP	8	42-120	101	96	220	250	150	97	5,812	3292469
100 RSP 100 BP	8	121-200	101	96	220	330	150	177	7,194	3292471
100 RSP 100 BP	8	201-300	101	96	220	430	150	277	8,921	3292472
120 RSP 100 BP	8	42-120	101	116	240	250	170	97	6,469	3292473
120 RSP 100 BP	8	121-200	101	116	240	330	170	177	7,976	3292474
120 RSP 100 BP	8	201-300	101	116	240	430	170	277	9,86	3292475
160 RSP 100 BP	8	42-120	101	156	280	250	220	97	8,589	3292476
160 RSP 100 BP	8	121-200	101	156	280	330	220	177	10,524	3292477
160 RSP 100 BP	8	201-300	101	156	280	430	220	277	12,942	3292478







## System Features

- Beam Console Bracket, shipped as required.
- Accessories: Bolt sets must be ordered separately.

## Technical Information

- Material: Steel
- Surface: Hot Dip Galvanized EN ISO 1461

Product	L (mm)	Beam Width (mm)	T1 (mm)	A (mm)	B (mm)	X (mm)	Y (mm)	Hot Dip Galvanized (TS EN ISO 1461)	
								Weight (kg/m)	Order Code
80 RSP 80 BPD 500 TYPE 1	500	42-120	3	220	250	150	97	7,563	3292378
80 RSP 80 BPD 1000 TYPE 1	1000	42-120	3	220	250	150	97	10,716	3292380
80 RSP 80 BPD 1500 TYPE 1	1500	42-120	3	220	250	150	97	13,871	3292381
80 RSP 80 BPD 500 TYPE 2	500	121-200	3	220	330	150	177	9,082	3292382
80 RSP 80 BPD 1000 TYPE 2	1000	121-200	3	220	330	150	177	12,236	3292383
80 RSP 80 BPD 1500 TYPE 2	1500	121-200	3	220	330	150	177	15,390	3292384
80 RSP 80 BPD 500 TYPE 3	500	201-300	3	220	430	150	277	10,981	3292385
80 RSP 80 BPD 1000 TYPE 3	1000	201-300	3	220	430	150	277	14,136	3292386
80 RSP 80 BPD 1500 TYPE 3	1500	201-300	3	220	430	150	277	17,290	3292387
100 RSP 100 BPD 500 TYPE 1	500	42-120	3	220	250	150	97	8,599	3292388
100 RSP 100 BPD 1000 TYPE 1	1000	42-120	3	220	250	150	97	12,789	3292389
100 RSP 100 BPD 1500 TYPE 1	1500	42-120	3	220	250	150	97	16,980	3292390
100 RSP 100 BPD 500 TYPE 2	500	121-200	3	220	330	150	177	10,118	3292391
100 RSP 100 BPD 1000 TYPE 2	1000	121-200	3	220	330	150	177	14,309	3292392
100 RSP 100 BPD 1500 TYPE 2	1500	121-200	3	220	330	150	177	18,499	3292393
100 RSP 100 BPD 500 TYPE 3	500	201-300	3	220	430	150	277	12,018	3292394
100 RSP 100 BPD 1000 TYPE 3	1000	201-300	3	220	430	150	277	16,209	3292395
100 RSP 100 BPD 1500 TYPE 3	1500	201-300	3	220	430	150	277	20,398	3292396
120 RSP 100 BPD 500 TYPE 1	500	42-120	3	240	250	170	97	9,548	3292397
120 RSP 100 BPD 1000 TYPE 1	1000	42-120	3	240	250	170	97	14,257	3292398
120 RSP 100 BPD 1500 TYPE 1	1500	42-120	3	240	250	170	97	18,965	3292399
120 RSP 100 BPD 500 TYPE 2	500	121-200	3	240	330	170	177	11,206	3292400
120 RSP 100 BPD 1000 TYPE 2	1000	121-200	3	240	330	170	177	18,827	3292401
120 RSP 100 BPD 1500 TYPE 2	1500	121-200	3	240	330	170	177	20,623	3292402
120 RSP 100 BPD 500 TYPE 3	500	201-300	3	240	430	170	277	10,636	3292403
120 RSP 100 BPD 1000 TYPE 3	1000	201-300	3	240	430	170	277	17,987	3292404
120 RSP 100 BPD 1500 TYPE 3	1500	201-300	3	240	430	170	277	22,695	3292405
160 RSP 100 BPD 500 TYPE 1	500	42-120	3	280	250	220	97	11,298	3294597
160 RSP 100 BPD 1000 TYPE 1	1000	42-120	3	280	250	220	97	16,8938	3294598
160 RSP 100 BPD 1500 TYPE 1	1500	42-120	3	280	250	220	97	22,4884	3294599
160 RSP 100 BPD 500 TYPE 2	500	121-200	3	280	330	220	177	13,233	3294600
160 RSP 100 BPD 1000 TYPE 2	1000	121-200	3	280	330	220	177	18,827	3294601
160 RSP 100 BPD 1500 TYPE 2	1500	121-200	3	280	330	220	177	24,4233	3294602
160 RSP 100 BPD 500 TYPE 3	500	201-300	3	280	480	220	277	15,6508	3294603
160 RSP 100 BPD 1000 TYPE 3	1000	201-300	3	280	480	220	277	21,2454	3294604
160 RSP 100 BPD 1500 TYPE 3	1500	201-300	3	280	480	220	277	26,841	3294605



# RSP

## ►►Rectangular Smart Profile

### ►Beam Pressure Clamp

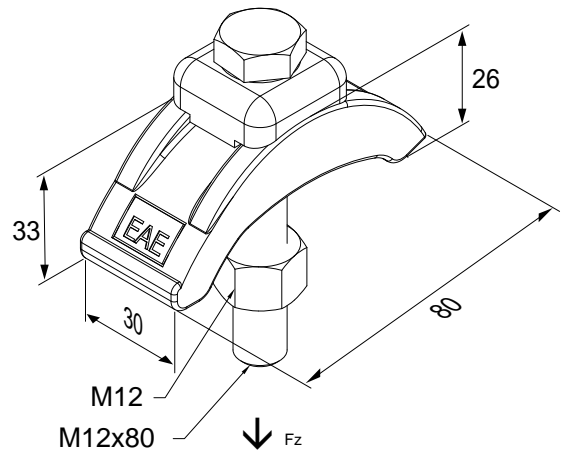


### System Features

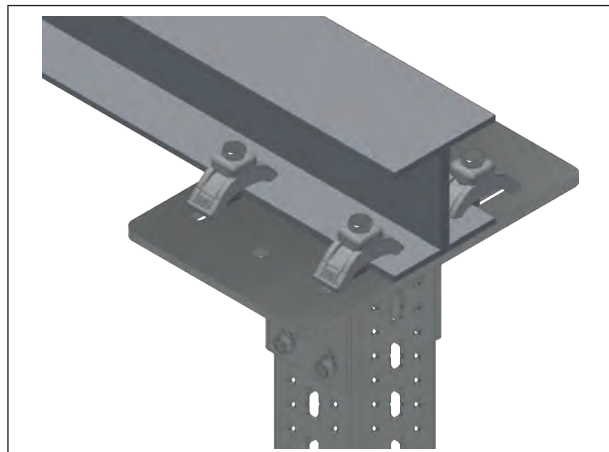
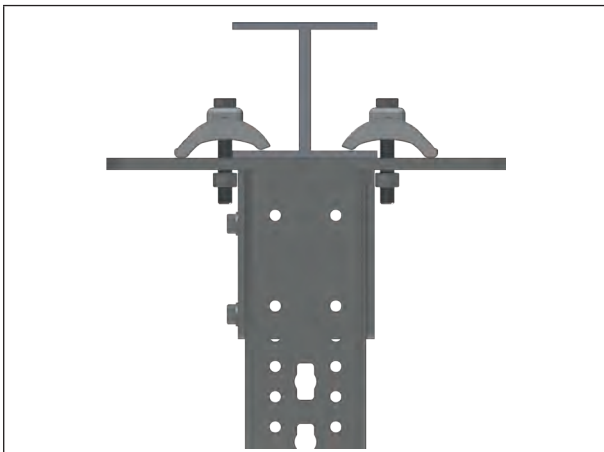
- Compatible with beams of 42mm-300mm width. (B)
- Compatible with beams with a thickness of 3-12mm. (tf)
- 15° adjustable angle.
- The carrying capacity given in the table is the load that can be applied to 1 beam clamp. (6.0 kN)
- The product must be tightened to the specified maximum torque. (85Nm)
- The beam clamps should be used in pairs.
- 1 set: It consists of 1 beam clamp + 1 12x80 Bolt + M12 nut.

### Technical Information

- Material: Cast Iron
- Surface: Zinc Plated

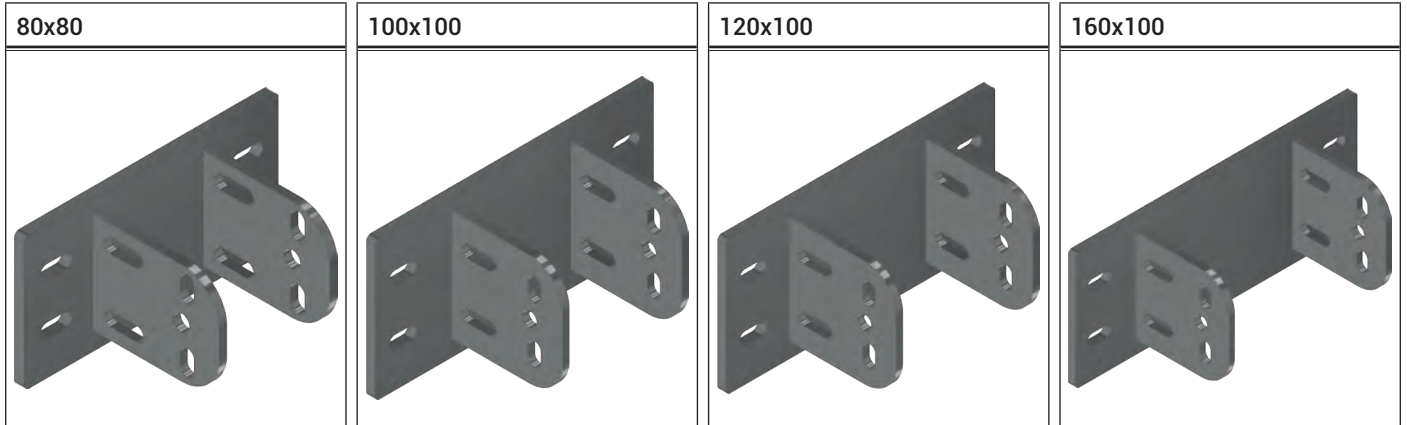


Product	Fz (kN)	Maximum Tightening Torque (Nm)	Hot Dip Galvanized (TS EN ISO 1461)	
			Weight (kg/m)	Order Code
IM	6	85	0,43	1021241



# RSP

- Rectangular Smart Profile
- Horizontal Beam Bracket

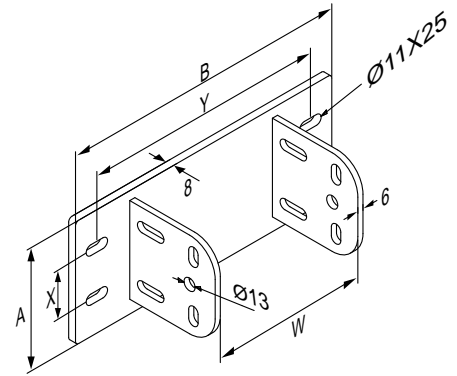


## System Features

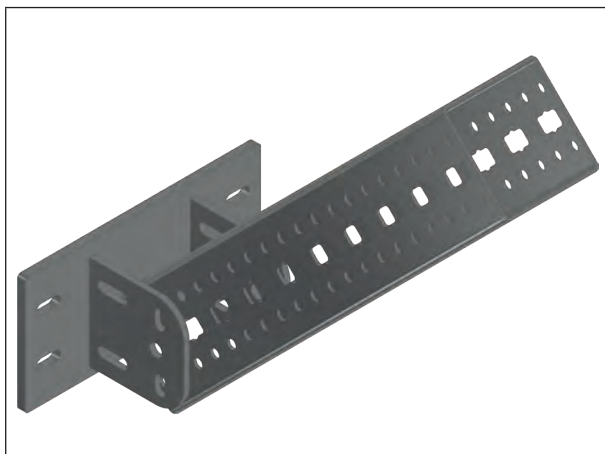
- Function: Profile angle connection; The floor plate is shipped ready welded to the retaining parts.
- Accessories: Bolt sets must be ordered separately.

## Technical Information

- Material: Steel
- Surface: Hot Dip Galvanized EN ISO 1461



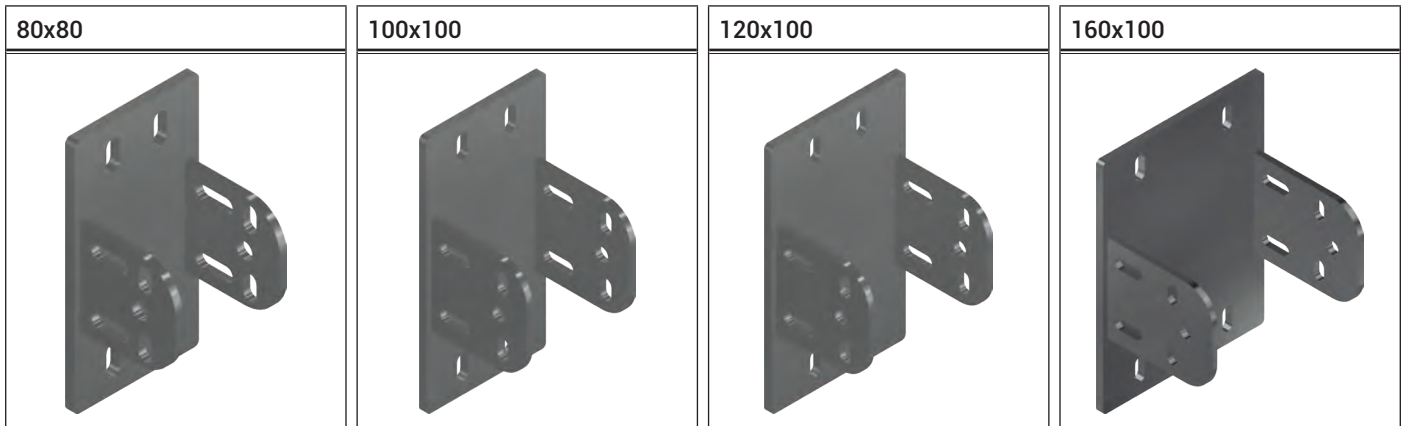
Product	Amount Of Bolts Required	W (mm)	A (mm)	B (mm)	X (mm)	Y (mm)	Hot Dip Galvanized (TS EN ISO 1461)	
							Weight (kg/m)	Order Code
80 RSP 80 AVP	4	81	105	200	40	150	0,846	3292479
100 RSP 100 AVP	4	101	125	250	50	200	1,143	3292480
120 RSP 100 AVP	4	121	125	250	50	200	1,143	3292481
160 RSP 100 AVP	4	161	125	300	50	250	1,198	3292482



# RSP

►Rectangular Smart Profile

►Vertical Beam Bracket

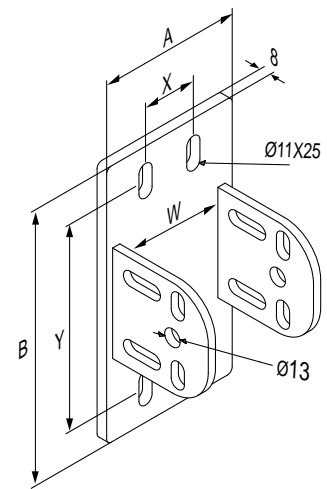


## System Features

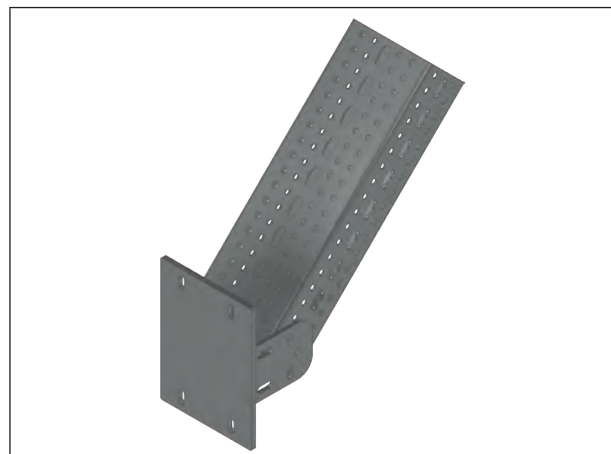
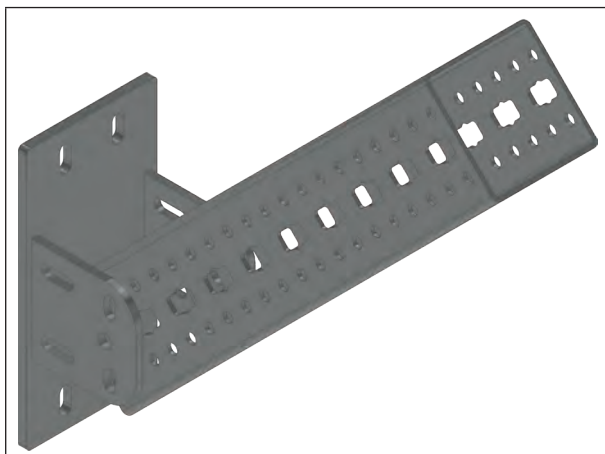
- Function: Profile angle connection; The floor bracket is shipped, ready and welded to the retaining parts.
- Accessories: Bolt sets must be ordered separately.

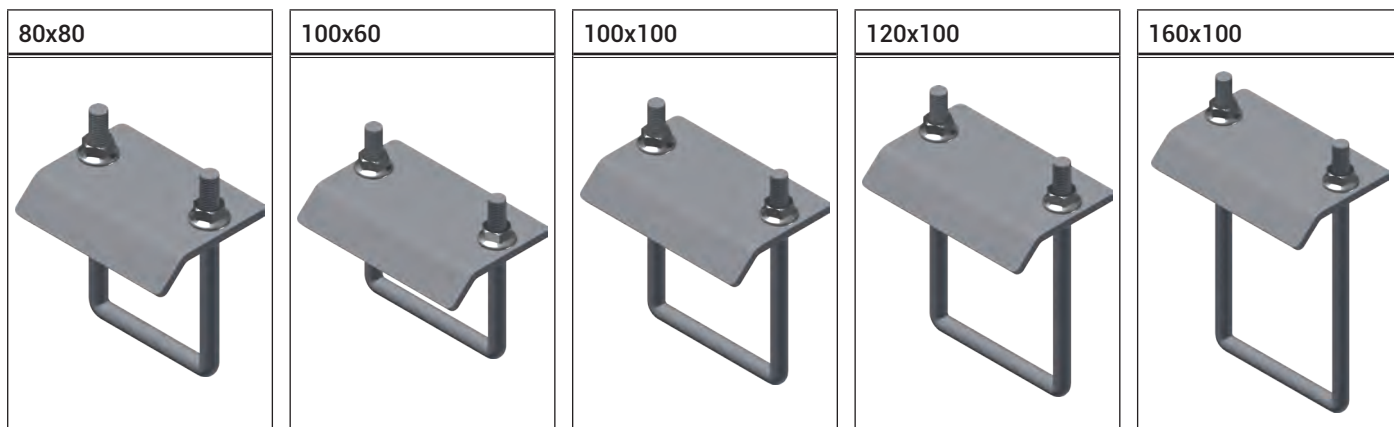
## Technical Information

- Material: Steel
- Surface: Hot Dip Galvanized EN ISO 1461



Product	Amount Of Bolts Required	W (mm)	A (mm)	B (mm)	X (mm)	Y (mm)	Hot Dip Galvanized (TS EN ISO 1461)	
							Weight (kg/m)	Order Code
80 RSP 80 AHP	4	81	105	200	40	150	0,846	3292483
100 RSP 100 AHP	4	101	125	250	50	200	1,143	3292484
120 RSP 100 AHP	4	121	145	250	50	200	1,186	3292485
160 RSP 100 AHP	4	161	185	250	100	200	1,348	3292486



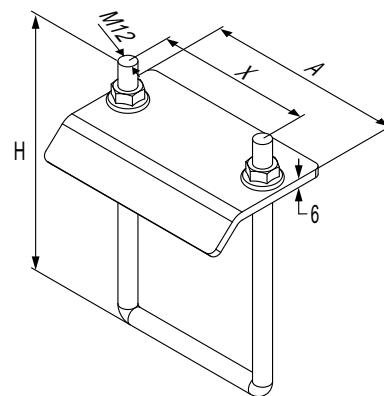


## System Features

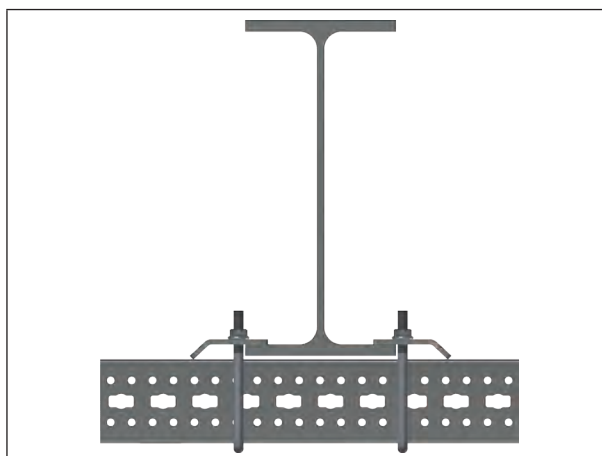
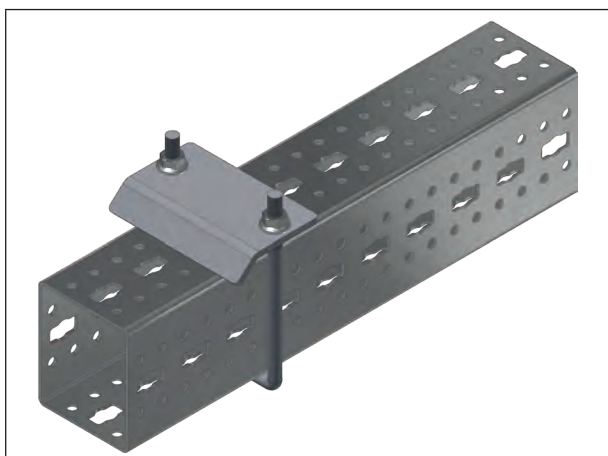
- Function: Profile beam securing U-Bolt
- Accessories: Set containing thrust plate + M12 U-bolt + M12 Nut.

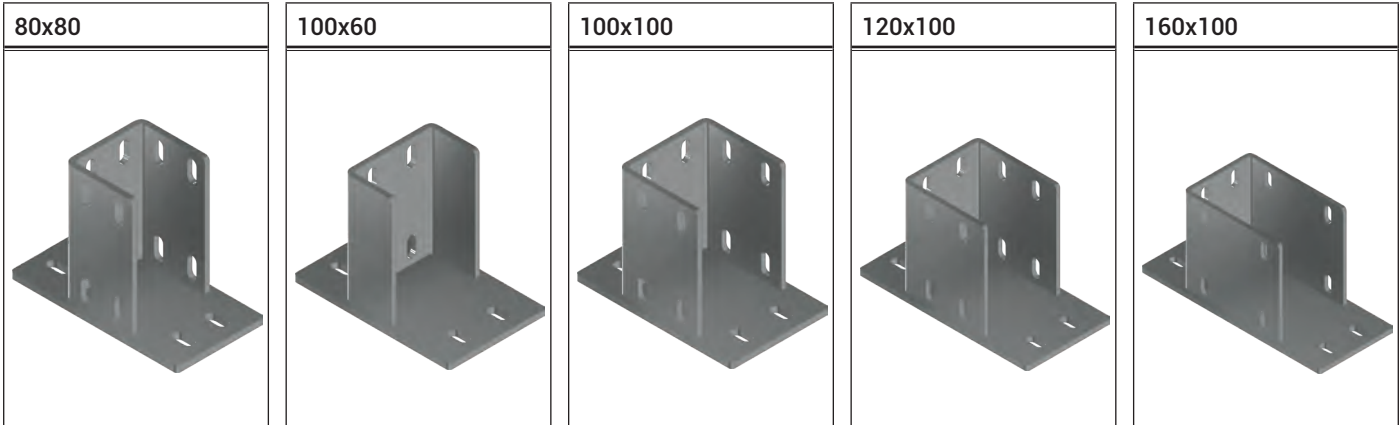
## Technical Information

- Material: Steel
- Surface: Hot Dip Galvanized EN ISO 1461



Product	H (mm)	X (mm)	A (mm)	Hot Dip Galvanized (TS EN ISO 1461)	
				Weight (kg/m)	Order Code
80 RSP 80 UBOLT	150	94	124	1,002	3134708
100 RSP 60 UBOLT	130	114	144	1,087	3294610
100 RSP 100 UBOLT	170	114	144	1,158	3134709
120 RSP 100 UBOLT	190	114	144	1,193	3134710
160 RSP 100 UBOLT	230	114	144	1,264	3294611



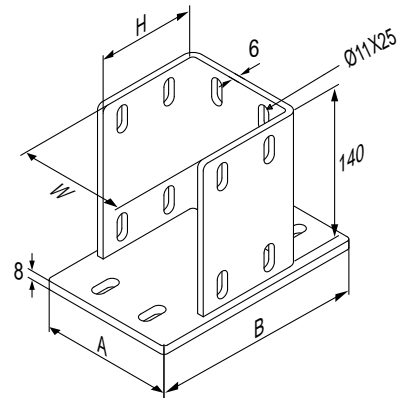


### System Features

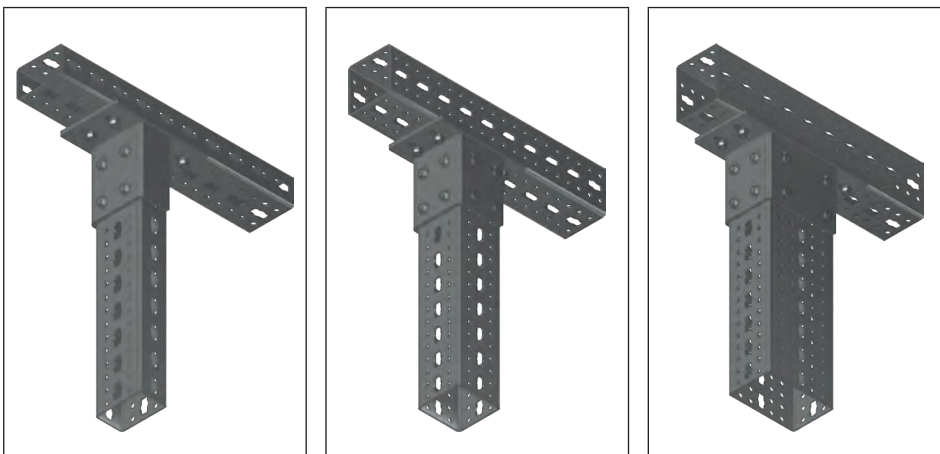
- Function: Profile corner joint; The floor bracket is shipped, ready and welded to the retaining parts.
- Accessories: Set containing thrust plate + M12 U-bolt + M12 Nut.

### Technical Information

- Material: Steel
- Surface: Hot Dip Galvanized EN ISO 1461

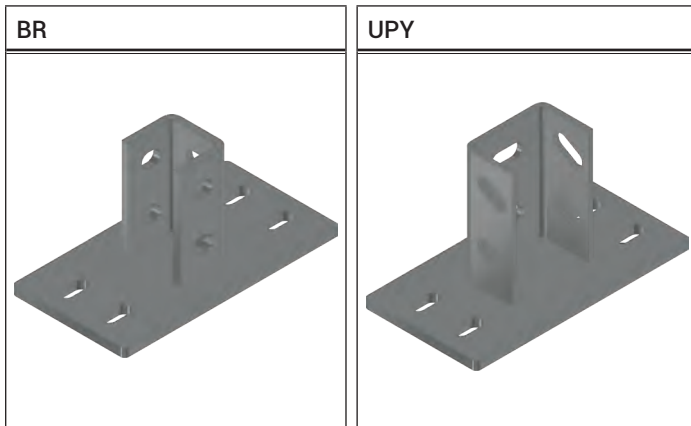


Product	Amount Of Bolts Required	W (mm)	H (mm)	A (mm)	B (mm)	Hot Dip Galvanized (TS EN ISO 1461)	
						Weight (kg/m)	Order Code
80 RSP 80 VMP	8	81	76	105	200	1,750	3292487
100 RSP 60 VMP	4	101	56	125	200	1,750	3294553
100 RSP 100 VMP	8	101	96	125	200	2,228	3292488
120 RSP 100 VMP	8	101	116	125	250	2,573	3292489
160 RSP 100 VMP	8	101	156	125	300	3,208	3292490



# RSP

- Rectangular Smart Profile
- Angle Floor Bracket



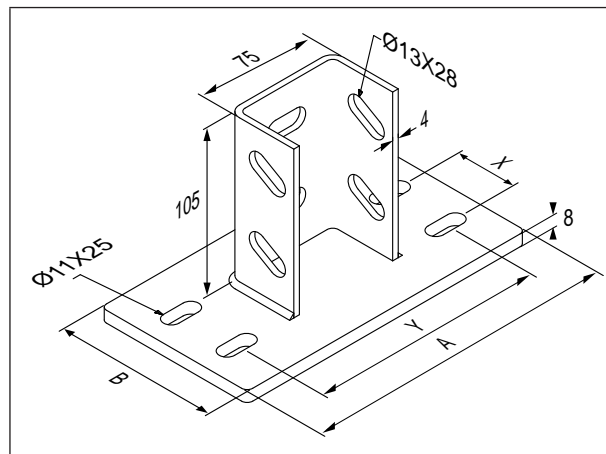
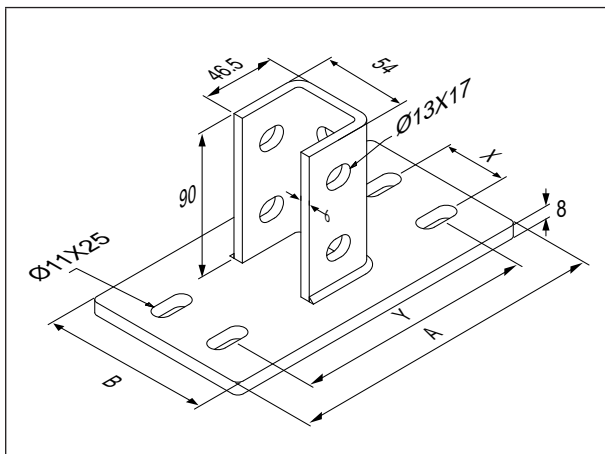
## System Features

- Function: Profile corner joint; The floor bracket is shipped, ready and welded to the retaining parts.
- Accessories: Bolt sets must be ordered separately

## Technical Information

- Material: Steel
- Surface: Hot Dip Galvanized EN ISO 1461

Product	B (mm)	A (mm)	X (mm)	Y (mm)	Hot Dip Galvanized (TS EN ISO 1461)	
					Weight (kg/m)	Order Code
80 RSP 80 UPY	105	200	40	150	0,671	3292491
100 RSP 100 UPY	125	250	50	200	0,708	3294591
80 RSP 80 BR	105	200	40	150	0,721	3292492
100 RSP 100 BR	125	250	50	200	0,759	3294606



# CE DECLARATION OF CONFORMITY

**Product Group** EleElectro-Mechanical Carrier, Suspension Systems and Accessories

**Manufacturer** EAE Elektrik Asansor End. Insaat San. ve Tic. A.S.  
Akcaburgaz Mahallesi, 3114. Sokak,  
No:10 34522 Esenyurt-Istanbul

We confirm that the above-mentioned products or product groups manufactured at EAE Facilities complies with the standards and regulations stated below.

**Standard :**

**TS EN 61537**

"Electro-Mechanical Carrier and Suspension Systems"

**CE - Directive**

305/2011/AB "Construction materials regulation"

**Technical Document Preparation Officer;**

EAE Elektrik Asansor End. Insaat San. ve Tic. A.S.  
Akcaburgaz Mahallesi, 3114. Sokak, No:10 34522 Esenyurt-Istanbul

Emre GÜRLEYEN

**Date**

13.01.2022

**Document Authorized Signatory**

Elif Gamze KAYA OK  
Deputy General Manager



## Advantages

- It provides 4 times quicker assembly compared to traditional welded manufacturing.
- It provides creative and clear application opportunity thanks to its modular structure and accessories..
- It does not require the use of nuts and washers with the application of smart bolts at the connection points..
- It does not require welding and painting, it offers material and workmanship advantages.
- Provides solutions with high carrying capacity in long suspension openings and heavy load situations.
- Optionally, Hot Dip and Stainless Steel material options are available for corrosive environments.



Thanks to the use of conical threaded bolts, the need for washers and nuts is eliminated.

## Technical Information

- Standard length:

3000mm - 6000mm

- Available sections:

60x100 - 80x80 - 100x100 - 100x120 - 100x160

- Thickness:

ø3mm - ø4mm

■ Please call our company for your orders in different thicknesses and sizes.

- Available surface:



SS304 - SS316  
Stainless

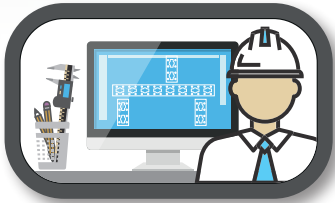


Hot Dip  
Galvanized



Electrostatic  
Powder Coated





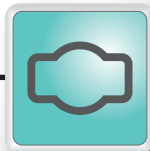
Engineering Solution Center: Project support is provided for the most suitable solutions for your applications utilizing our expert engineers.



RSP Profile System is manufactured in Leed GOLD Certified manufacturing facilities.



Workmanship:  
Labor costs are reduced with functionally designed fittings.



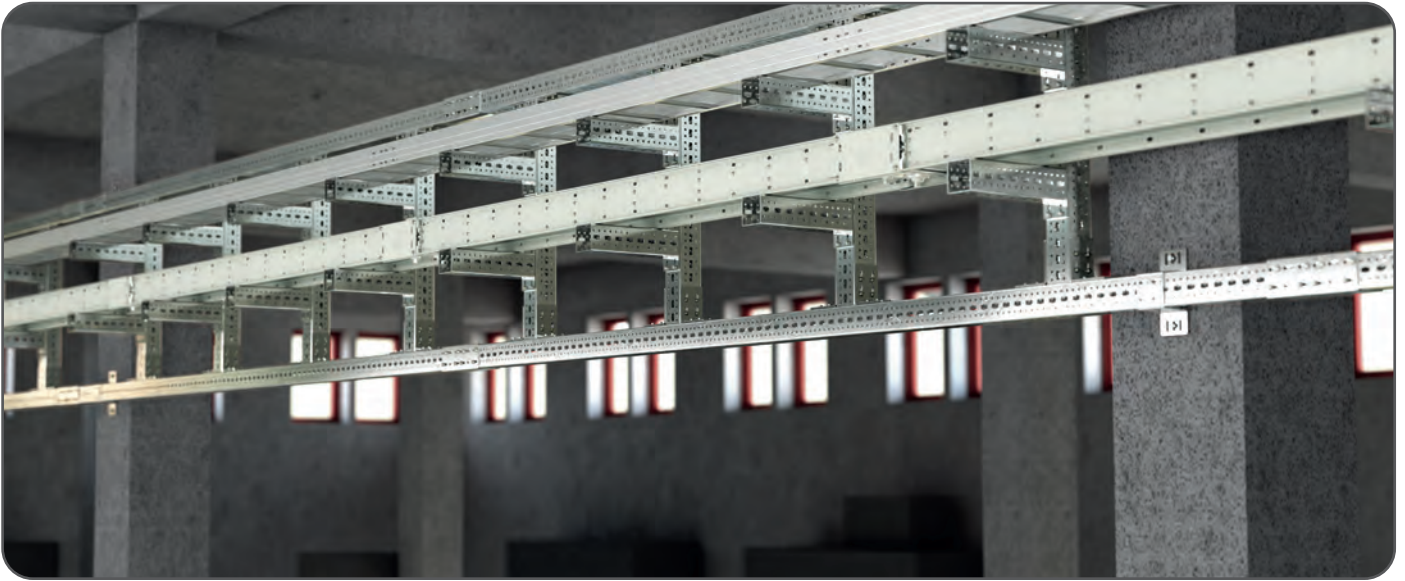
With its unique hole structure, fasteners can be mounted up to a width of M16



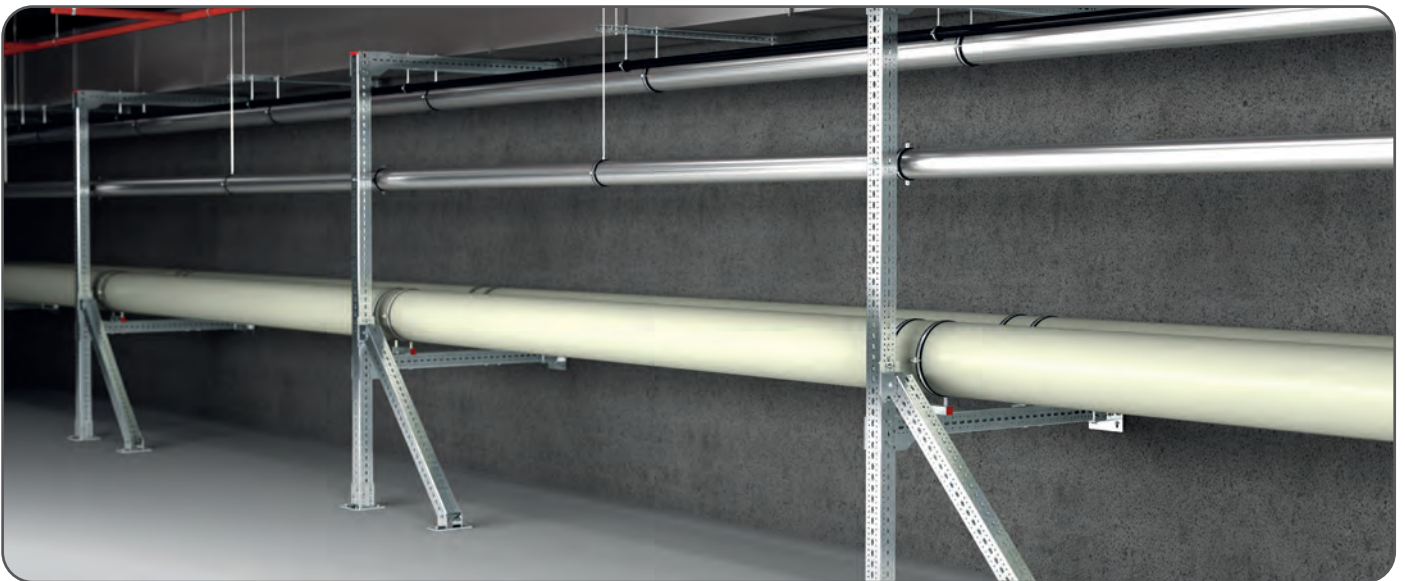
Quick Assembly:  
It provides 4 times quicker assembly compared to traditional welded manufacturing.



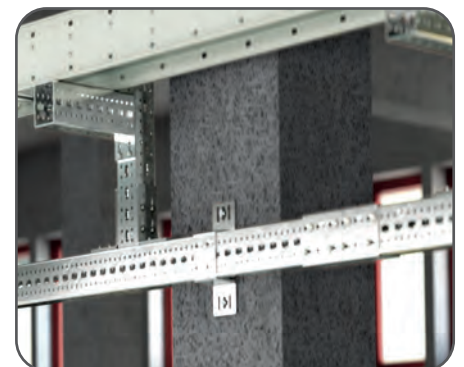
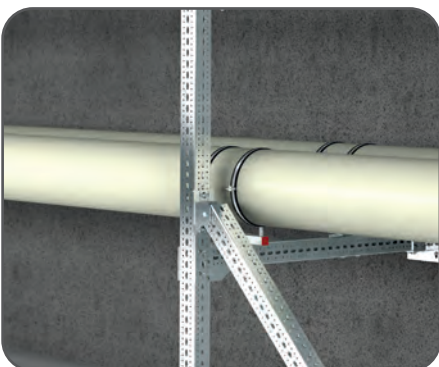
RSP Profile Systems exhibits elevated performance at immense weights and wide suspension intervals.



It offers the most suitable solution in wide beam ranges in electro-mechanical applications. A multi-storey system can be designed by using a horizontal console.



Since it is a product with ideal suspension optimization, it allows electrical and mechanical installations to be carried on the same line. In this way, the suspension costs of the project are reduced. Flexible solutions are provided with wall, floor and ceiling applications.



# PRODUCT TYPES



## BUSBAR ENERGY DISTRIBUTION SYSTEMS

---



## CABLE TRAYS

---



## TROLLEY BUSBAR ENERGY DISTRIBUTION SYSTEMS

---



## INDOOR SOLUTIONS

---



## SUPPORT SYSTEMS

---



**EAE Elektrik A.S. Head Office**  
Akcaburgaz Mahallesi,  
3114. Sokak, No:10 34522  
Esenyurt - Istanbul - TURKEY  
Tel: +90 (212) 866 20 00  
Fax: +90 (212) 886 24 20

**EAE DL 1 Factory Cable Tray**  
Makine Ihtisas Organize Sanayi  
Bolgesi Mahallesi, 6. Cadde,  
8. Sokak, No:2 41455  
Dilovası - Kocaeli - TURKEY  
Tel: +90 (262) 502 05 65  
Fax: +90 (262) 502 05 70

Please visit our website for the updated version of our catalogues.  
[www.eaeelectric.com](http://www.eaeelectric.com)



RSP Catalogue 76 -EN / Rev 01 0 Pcs. 06/12/2024  
E.U.

EAE has full right to make any revisions or changes on this catalogue without any prior notice.

