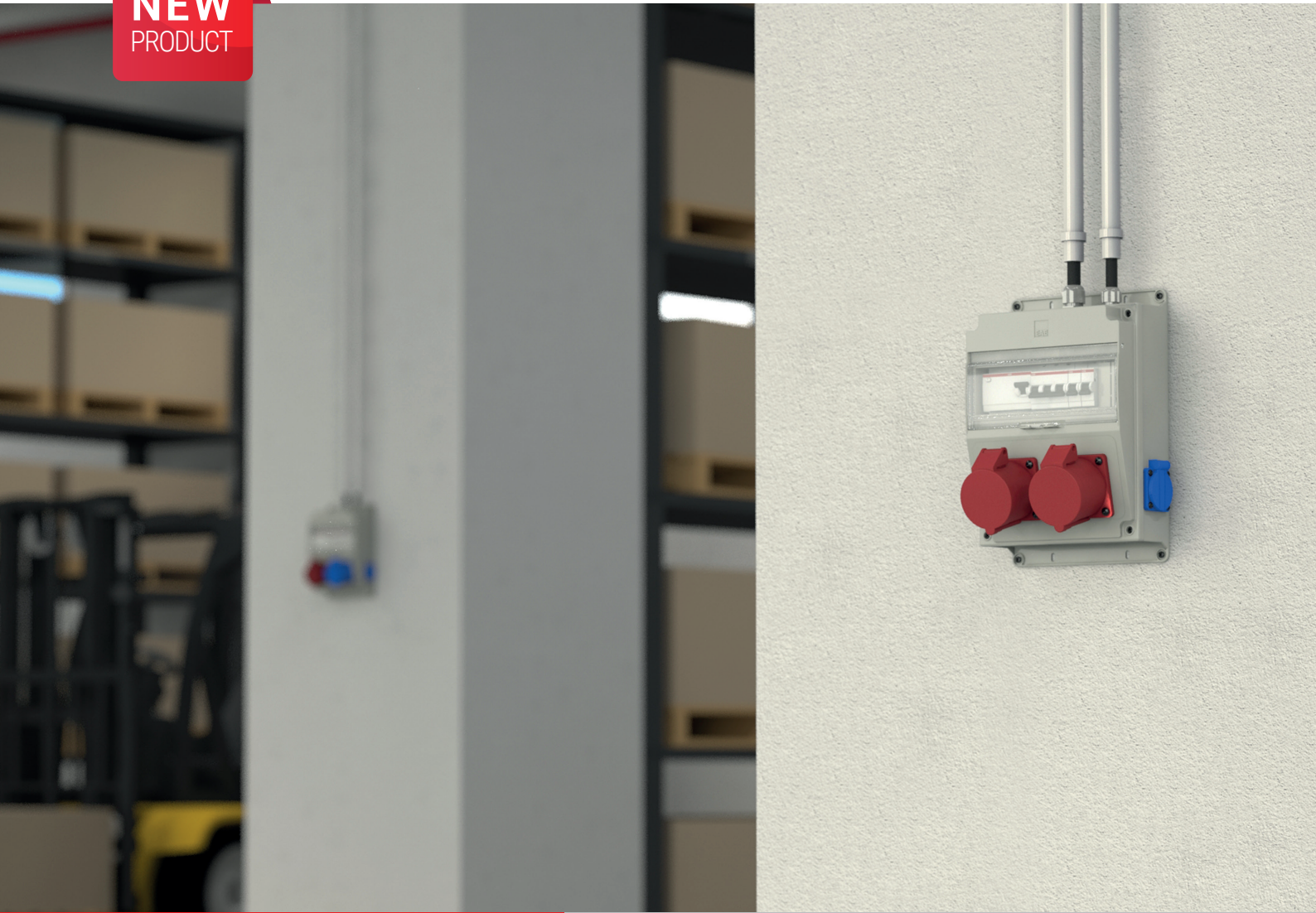


NEW
PRODUCT



E-LINE E-BOX

SOCKET COMBINATION BOX

EAE GROUP IN NUMBERS



Since 1973

EAE Group of Companies started its journey in the electrical sector in 1973 with the establishment of EAE Elektrik. Since its founding, EAE has grown rapidly, expanding its production and areas of operation by incorporating EAE Lighting in 1983, EAE Machinery in 1996, EAE Electrotechnics in 2004, and EAE Technology in 2009.

EAE carries out its production activities in accordance with ISO 9001 Quality Management, ISO 14001 Environmental Management, ISO 14064-1 Greenhouse Gas Management System, ISO 45001 Occupational Health and Safety Management, ISO 10002 Customer Satisfaction Management, ISO 50001 Energy Management System, and ISO 27001 Information Security Management System standards.



50+
Years Experience



7
Active Factories



360.000m²
Enclosed Space



3
R&D Centers



150+
Countries Exported To

CONTENTS

E-LINE E-BOX Socket Combination Box Technical Specifications and Applications	2
Socket Combination - Socket Mounted (Including Components and Cabling)	4
Socket Combination - Socket Mounted	5
Socket Combination - Empty	6

E-LINE E-BOX SOCKET COMBINATION BOX



TECHNICAL SPECIFICATIONS

The **E-BOX SOCKET COMBINATION BOX** series is designed for use in factories, construction sites, workshops, and work environments. It combines sockets and functions as an electrical installation box for circuit protection and distribution;

- IP42 Protection Class
- The plastic frame material of the product is PA6, halogen-free, and meets the UL94 standard with a V2 fire resistance rating
- Operating voltage of 230/400V AC
- Various configuration options are available, with a maximum current rating of 63A
- It is suitable for mounting 16A, 240V socket type panels (Schuko) and 63A, 415V CEE standard socket type industrial plugs
- It includes a compartment with 11 modules for miniature circuit breakers (MCB) and/or residual current devices (RCD), featuring breakable plates, a padlock attachment, and a transparent cover

APPLICATIONS



Factories and Workshops



Construction Sites



Business Centres and Offices



Warehouses

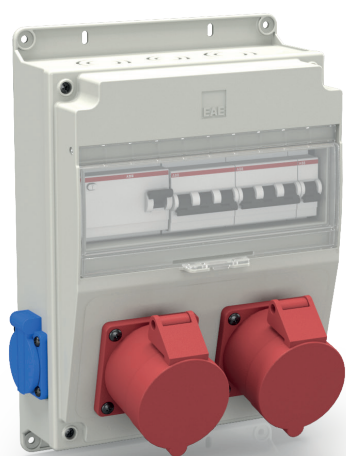


Car Parks



Electrical Installation Areas

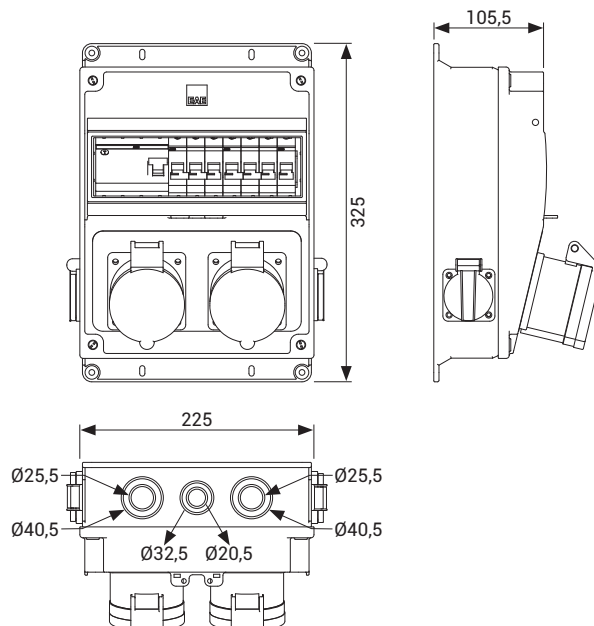
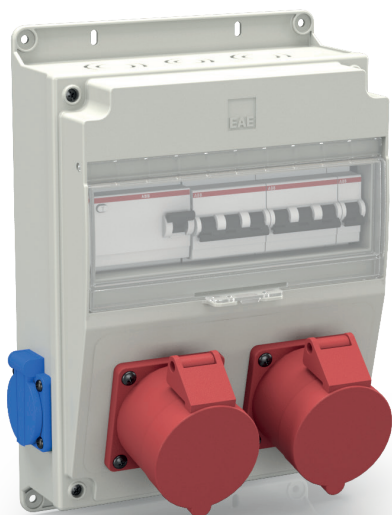
E-LINE E-BOX SOCKET COMBINATION BOX



E-LINE E-BOX SOCKET COMBINATION BOX

Socket Combination

Socket Mounted (Including Components and Cabling)

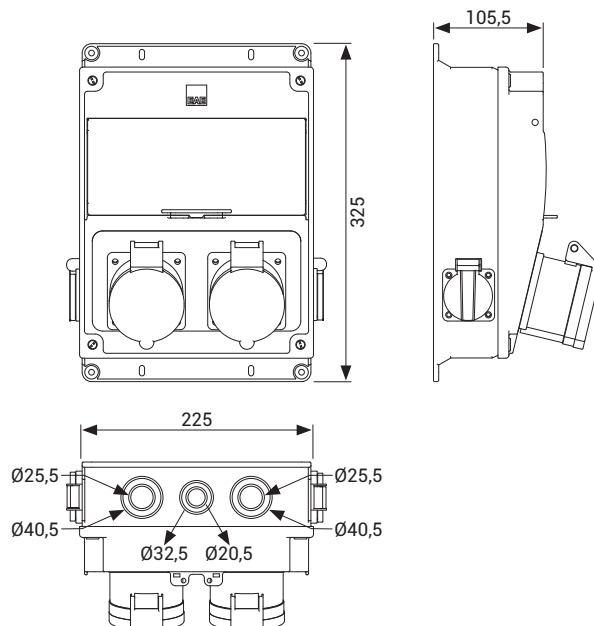


Product	Sockets	RCD 30mA	MCB	Weight (kg)	Order Code
E-BOX F-01	<ul style="list-style-type: none"> • 2 pcs. 1x16A P+N+E • 2 pcs. 5x32A 3P+N+E 	4x63A	<ul style="list-style-type: none"> • 1P 1 pc. 16A/C 6kA • 3P 2 pcs. 32A/C 6kA 	2,912	3363268
E-BOX F-02	<ul style="list-style-type: none"> • 2 pcs. 1x16A P+N+E • 2 pcs. 5x16A 3P+N+E 	4x40A	<ul style="list-style-type: none"> • 1P 1 pc. 16A/C 6kA • 3P 2 pcs. 16A/C 6kA 	2,598	3363269
E-BOX F-03	<ul style="list-style-type: none"> • 2 pcs. 1x16A P+N+E • 2 pcs. 3x16A 2P+E 	2x63A	• 1P 3 pcs. 16A/C 6kA	1,96	3363270
E-BOX F-04	<ul style="list-style-type: none"> • 2 pcs. 1x16A P+N+E • 1 pc. 5x16A 3P+N+E • 1 pc. 5x32A 3P+N+E 	4x63A	<ul style="list-style-type: none"> • 1P 1 pc. 16A/C 6kA • 3P 1 pc. 16A/C 6kA • 3P 1 pc. 32A/C 6kA 	2,767	3363272
E-BOX F-05	<ul style="list-style-type: none"> • 2 pcs. 1x16A P+N+E • 1 pc. 5x63A 3P+N+E 	4x80A	<ul style="list-style-type: none"> • 1P 1 pc. 16A/C 6kA • 3P 1 pc. 63A/C 6kA 	2,832	3363267
E-BOX F-06	<ul style="list-style-type: none"> • 2 pcs. 1x16A P+N+E • 1 pc. 5x32A 3P+N+E 	4x40A	<ul style="list-style-type: none"> • 1P 1 pc. 16A/C 6kA • 3P 1 pc. 32A/C 6kA 	2,286	3363271
E-BOX F-07	<ul style="list-style-type: none"> • 2 pcs. 1x16A P+N+E • 1 pc. 5x16A 3P+N+E 	4x25A	<ul style="list-style-type: none"> • 1P 1 pc. 16A/C 6kA • 3P 1 pc. 16A/C 6kA 	2,117	3363273

E-LINE E-BOX SOCKET COMBINATION BOX

Socket Combination

Socket Mounted

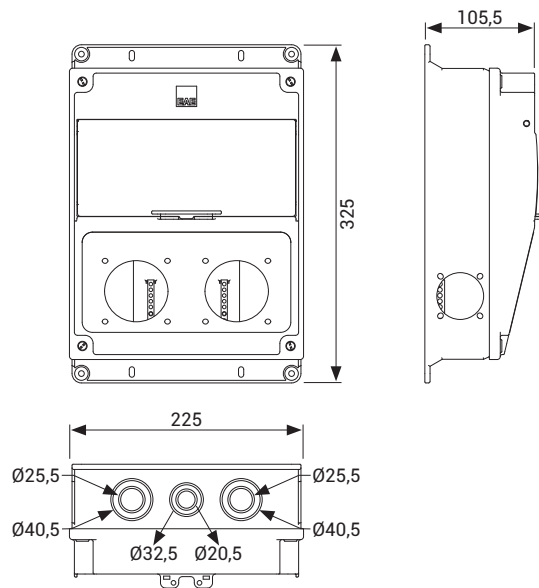


Product	Sockets	Weight (kg)	Order Code
E-BOX P-01	Schuko 1x16A, 240V AC, IP54, Alm.Std. P/N/E; 2 pcs. CEE Std. 5x32A, 415V AC, IP-44, 3P/N/E; 2 pcs.	1,424	3363275
E-BOX P-02	Schuko 1x16A, 240V AC, IP54, Alm.Std. P/N/E; 2 pcs. CEE Std. 5x16A, 415V AC, IP-44, 3P/N/E; 2 pcs.	1,362	3363276
E-BOX P-03	Schuko 1x16A, 240V AC, IP54, Alm.Std. P/N/E; 2 pcs. CEE Std. 3x16A, 250V AC, IP-44, 2P/E; 2 pcs.	1,276	3363277
E-BOX P-04	Schuko 1x16A, 240V AC, IP54, Alm.Std. P/N/E; 2 pcs. CEE Std. 5x16A, 415V AC, IP-44, 3P/N/E; 1 pc. CEE Std. 5x32A, 415V AC, IP-44, 3P/N/E; 1 pc.	1,393	3363279
E-BOX P-05	Schuko 1x16A, 240V AC, IP54, Alm.Std. P/N/E; 2 pcs. CEE Std. 5x63A, 415V AC, IP-44, 3P/N/E; 1 pc.	1,581	3363274
E-BOX P-06	Schuko 1x16A, 240V AC, IP54, Alm.Std. P/N/E; 2 pcs. CEE Std. 5x32A, 415V AC, IP-44, 3P/N/E; 1 pc.	1,229	3363278
E-BOX P-07	Schuko 1x16A, 240V AC, IP54, Alm.Std. P/N/E; 2 pcs. CEE Std. 5x16A, 415V AC, IP-44, 3P/N/E; 1 pc.	1,198	3363280

E-LINE E-BOX SOCKET COMBINATION BOX

Socket Combination

Empty



Product	Description	Weight (kg)	Order Code
E-BOX B-01	2 Pieces (Ø60 mm Slot) 2 Pieces lateral slots (Ø45 mm Slot)	0,92	3363265
E-BOX B-02	1 Piece (Ø85 mm Slot) 2 Pieces lateral slots (Ø45 mm Slot)	0,93	3363266
E-BOX B-03	1 Piece (Ø60 mm Slot) 2 Pieces lateral slots (Ø45 mm Slot)	0,92	3364618



E-LINE E-BOX SOCKET COMBINATION BOX

Notes

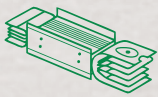
A large rectangular area filled with a fine grid of dashed lines, intended for handwritten notes or technical drawings.

SUSTAINABLE FUTURE

Sustainability Management at EAE Elektrik



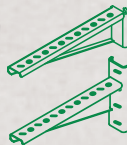
As part of our goal to support sustainable development and green transformation, measuring, evaluating, and managing all economic, environmental, and social impacts resulting from our sustainability practices is a key governance priority for EAE Elektrik. We act with great care in analyzing, monitoring, and managing the economic, environmental, and social impacts and risks that arise throughout our value chain in both our national and global operations.



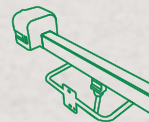
Busbar Systems



Cable Tray Systems



Support Systems



Trolley Busbar Systems



Fit-Out Solutions

"We are working together with all our stakeholders to develop the electrical technologies that will build the future."

You can visit our sustainability website at surdurulebilirlik.eae.com.tr



#FutureTogether

EAE Elektrik
Head Office

Akcaburgaz Mahallesi,
3114. Sokak, No: 10 34522
Esenyurt - Istanbul - Turkiye
Tel: +90 (212) 866 20 00
Fax: +90 (212) 886 24 20

EAE DL 4 Factory
Busbar 2

Gebze IV Istanbul Makine ve Sanayicileri
Organize Bolgesi, 6.Cadde,
No:14/10 41455 Demirciler Koyu,
Dilovasi - Kocaeli - Turkiye
Tel: +90 (262) 999 05 55
Fax: +90 (262) 502 01 45



Please visit our website for the updated
version of our catalogues.
www.eaeelectric.com



Catalogue 82 - En. / Rev. 02 1000 Pcs. 21/03/2025
N.G.

EAE has full right to make any revisions or changes on this catalogue without any prior notice.