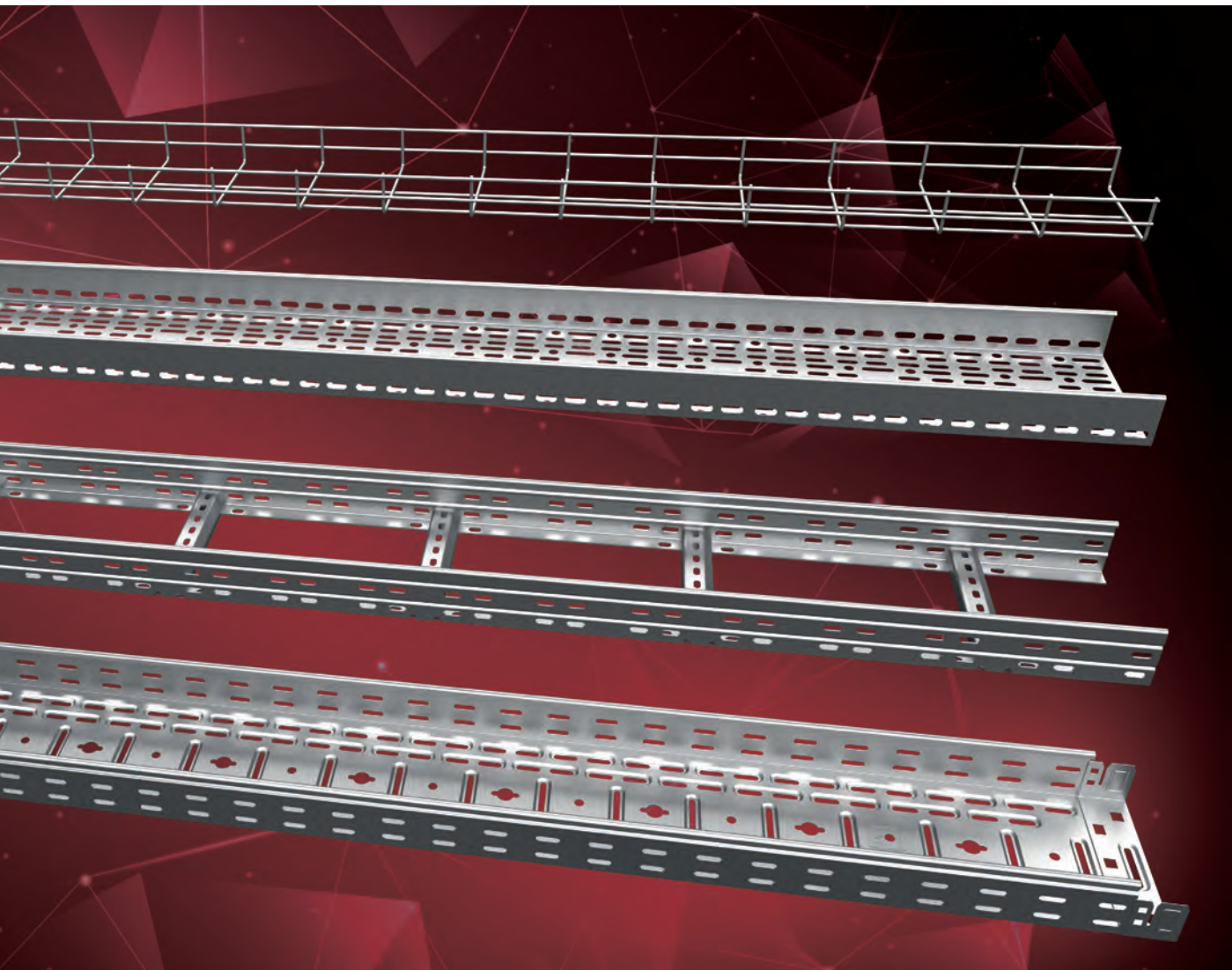




CABLE TRAY GENERAL

Cable Support Systems







EAE Group in numbers;



1973
year of foundation

Founded in 1973, EAE Elektrik A.S. being the parent company of EAE Group is a worldwide manufacturer of electrical products.



360.000m²
closed manufacturing
area

Founded : in 1973
Closed Manufacturing Area : 360.000m²
Range of Products : Busbar Power Distribution Systems
 Lighting Busbar Systems
 Cable Tray Systems
 Underfloor Trunking
 Trolley Busbar Systems



7
manufacturing
plants

Companies : EAE Elektrik
 EAE Aydınlatma
 EAE Elektroteknik
 EAE Teknoloji
 EAE Makine



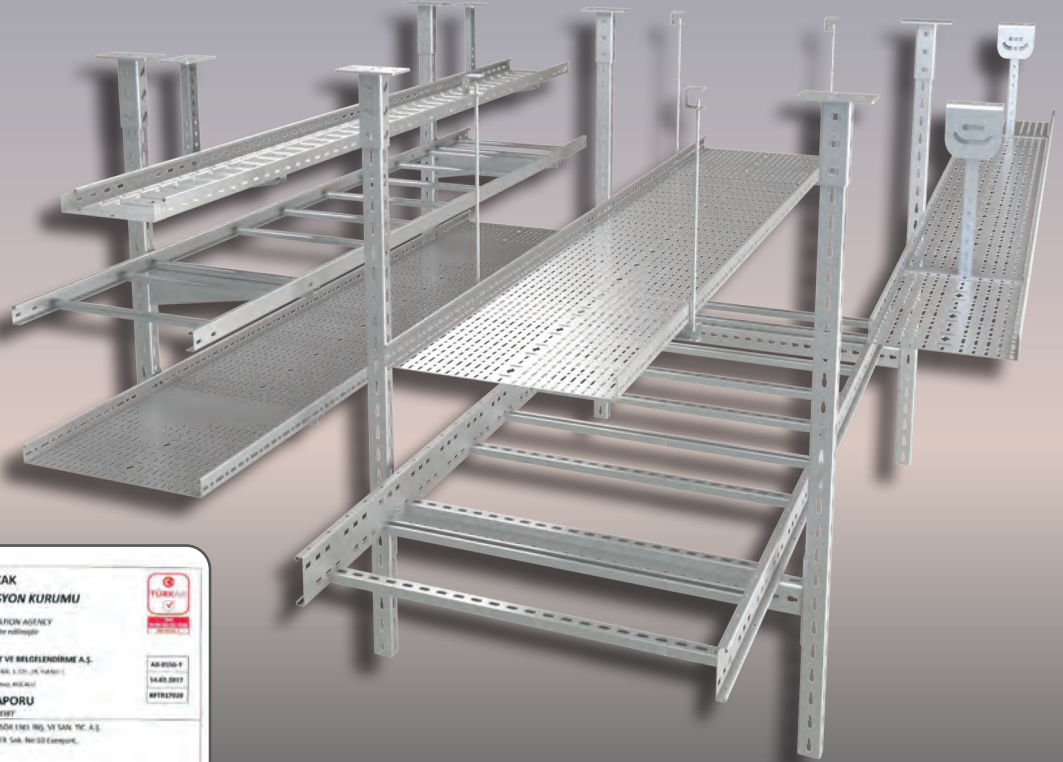
3
R&D Centers

Number of Plants : 7

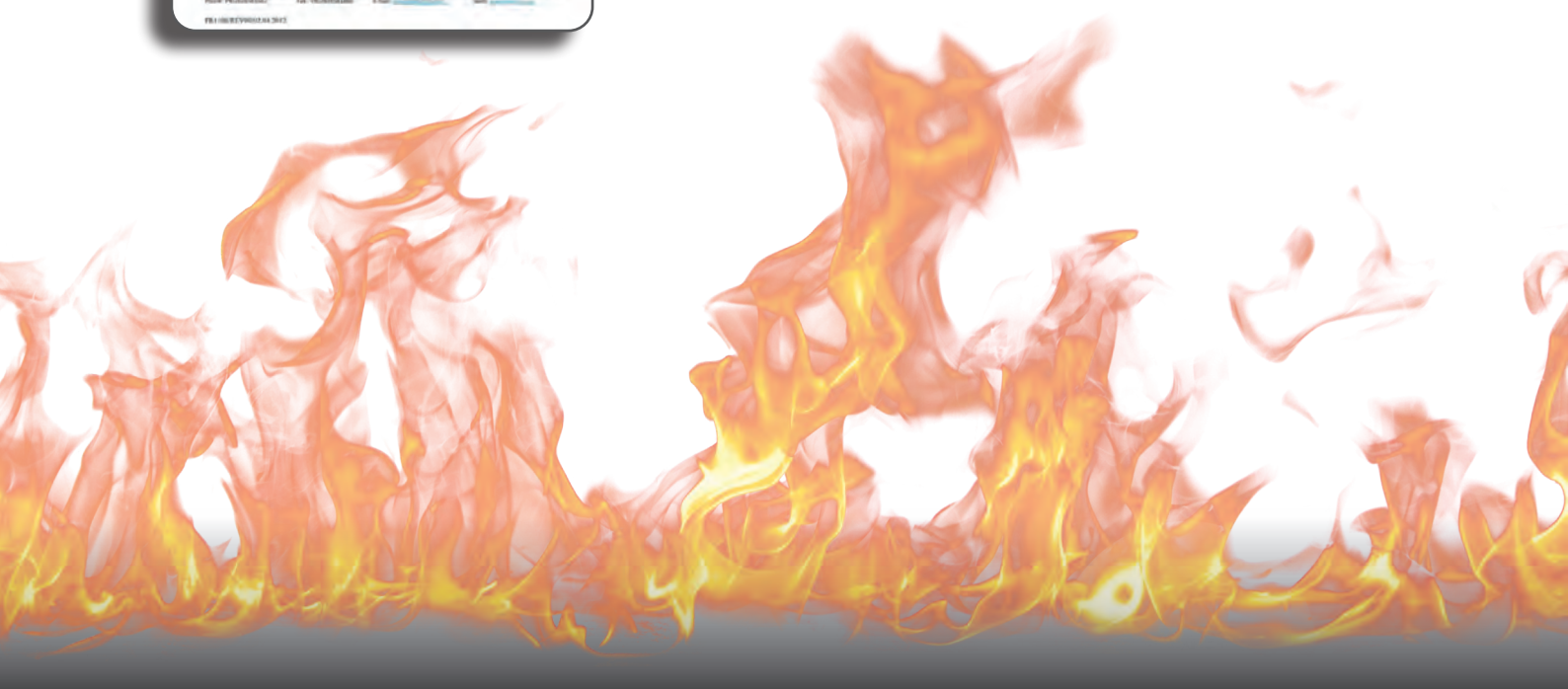
"Lean Production" and "Innovative and Customer Driven Product Development" approaches are the key values utilized in designing and manufacturing the product families in compliance with ISO 9001, ISO 14001, OHSAS 18001 and ISO 27001. EAE Elektrik A.S. busbar products are certified by KEMA/DEKRA (Holland), KEMA - KEUR, UL classified laboratories as per IEC 61537-1/6 standards.

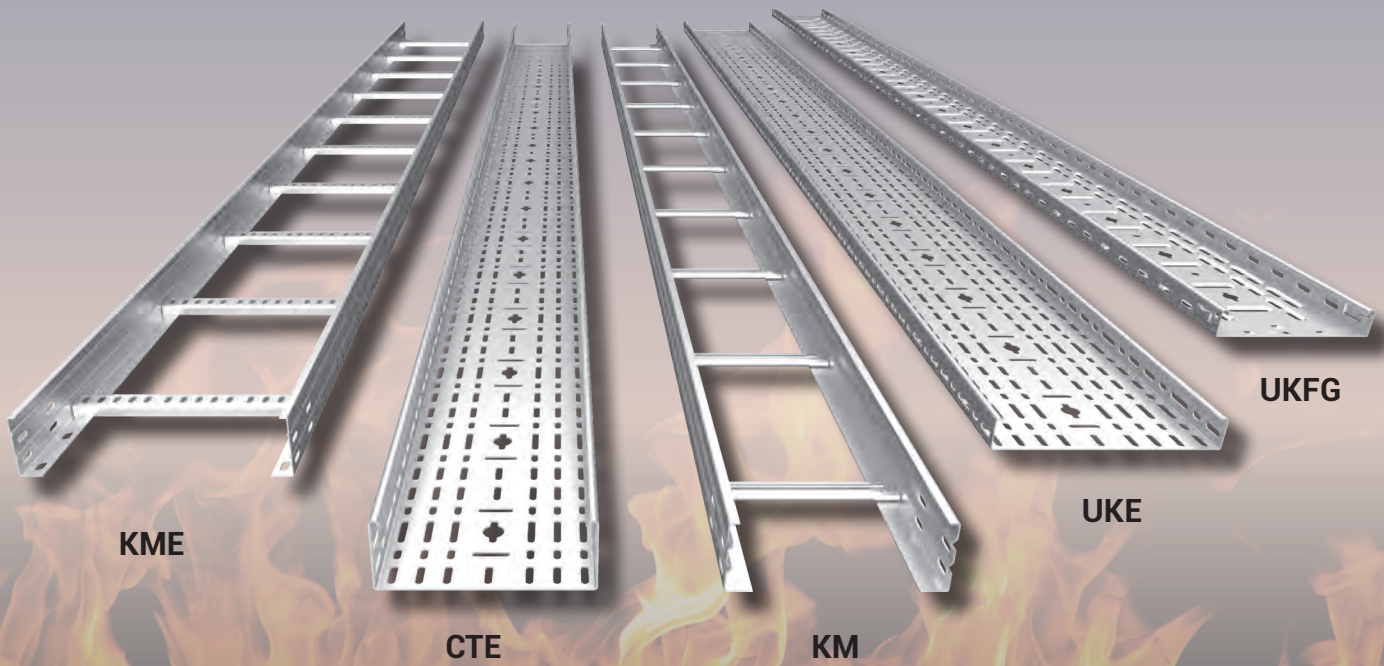


150+
countries of export



TÜRKAK TÜRK AKREDİTASYON KURUMU	
Efectis TÜRKISH ACCREDITATION AGENCY	
EFFECTIS İSAA AVRASYA TEST VE BELGELENDİRME A.Ş.	
DENEY RAPORU	
TEST RÖZESİ	
Müşterinin adı/Adresi Customer name/Address:	SAL ELEKTRİK SANAYİ VE TİC. A.Ş. Bağcıbaşı MAH. 178. Sok. No:33 Kat:10, İSTANBUL/TÜRKİYE
İşin numarası Order No:	EİA-14-000412-0002
Normanve adı ve tarihi Order name and date:	Kablosuz - Tevliye, montaj ve ölçüm çalışmaları Biy. Kılıfın - "EAK"
Normanve kabul tarihi The date of receipt of order:	15.12.2016
Ağrısızdır Weightless:	
Deneyin yapıldığı tarih Date of test:	26.12.2016
Raporun sayfa sayısı Number of pages of the report:	33 (Eklerle birlikte toplam 39 sayfa)
<p>Türk Akreditasyon Kurumu (TÜRKAK) deney raporlarını normanve Akademinde Anırtıcı Akreditasyon (ISO/IEC) ve Uluslararası Laboratuvar Akreditasyon (ISO/IEC) ile harpçikli normanve belgelenen laboratuvarlar tarafından hazırlanmıştır. TÜRKAK, uluslararası akreditasyon kurumları ile eşdeğerlik anlaşmaları ile birleştirilmiştir. Bu belge, akreditasyon kurumu tarafından hazırlanmıştır. Bu belge, akreditasyon kurumu tarafından hazırlanmıştır. Bu belge, akreditasyon kurumu tarafından hazırlanmıştır.</p>	
<p>Deneyin ve Raporun Sonuçları aşağıdaki gibidir. (Eklerle birlikte) / Deneyin Sonuçları ve deney raporunun hazırlanması için kullanılan tüm veriler aşağıdaki gibidir.</p>	
Mühür Stamp:	Tarih Date:
Deney Sorumlusu Person in charge of test:	Laboratuvar Müdürü Head of Testing Laboratory:
	
14.02.2017	Y.Ö. ÖZTÜNGAÇ
	A. BAYRAKTAR
<p><small>Not: Bu belge, akreditasyon kurumu tarafından hazırlanmıştır. Bu belge, akreditasyon kurumu tarafından hazırlanmıştır. Bu belge, akreditasyon kurumu tarafından hazırlanmıştır.</small></p>	
<p><small>Phone: +90 212 333 1111 Fax: +90 212 333 1111 E-Mail: info@effectis.com.tr</small></p>	
<p><small>TR 14079700104 3043</small></p>	





For fire-resistant products and details,
please contact your customer representative.



►► OUR OTHER SOLUTIONS

YOU CAN REACH OUR OTHER CATALOGS BY SCANNING THE QR CODES.

RSP New Housing Design Profile



Please Scan the QR Code



BINRAK Modular Connecting Systems



Please Scan the QR Code



SUPPORT SYSTEM SOLUTIONS Support Systems and Accessories



Please Scan the QR Code



MFIX Electro-Mechanical Support and Suspension Systems



Please Scan the QR Code





A-A

BR

UK

CT

CTK

KM

TKS

TLS

AKS

INFO





A-A

BR

UK

CT

CTK



KM

TKS

TLS

AKS

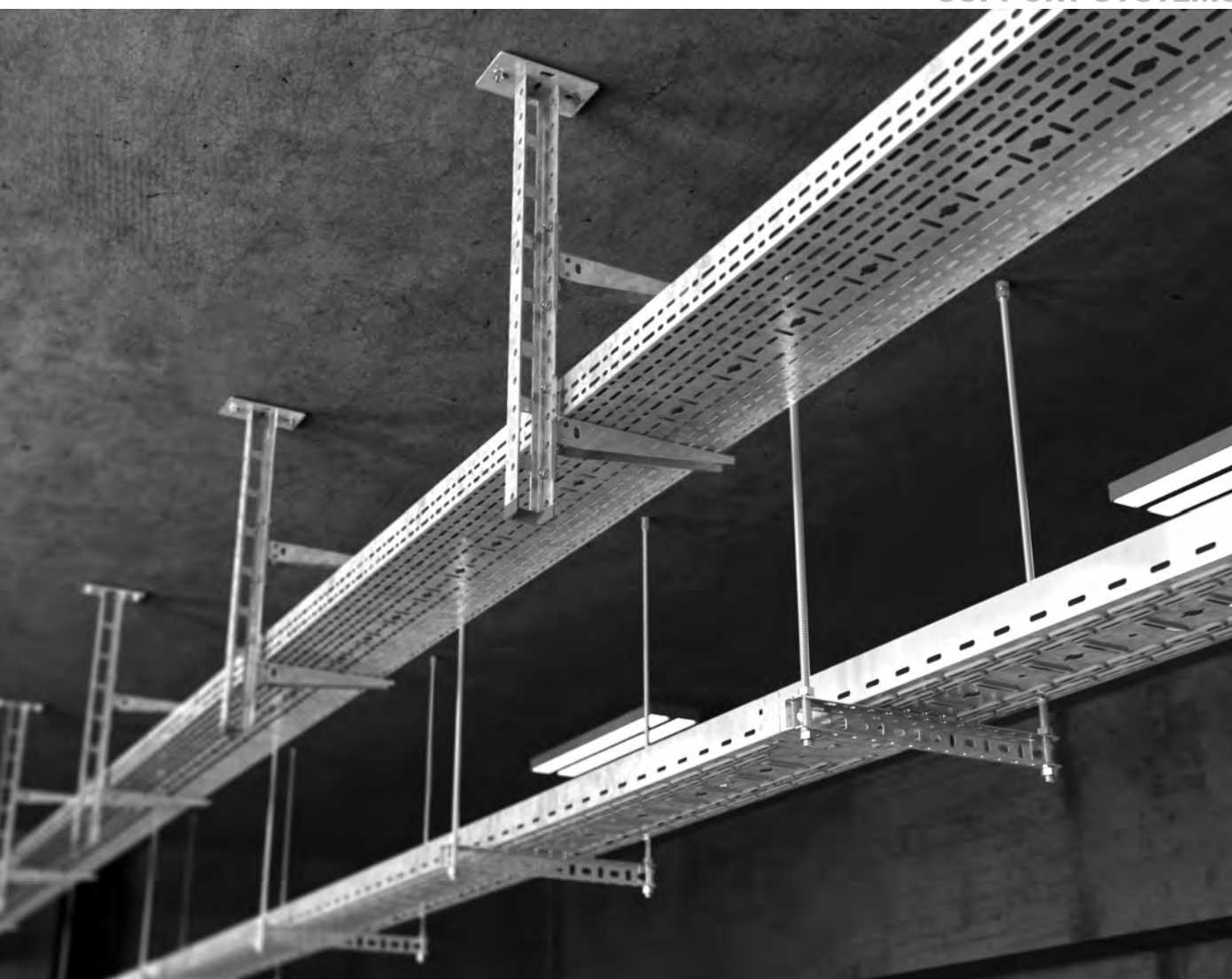
INFO





E-LINE A-A

SUPPORT SYSTEMS



E-LINE A-A

Please visit our website for the updated version of our catalogues.
www.eaelectric.com



CONTENTS

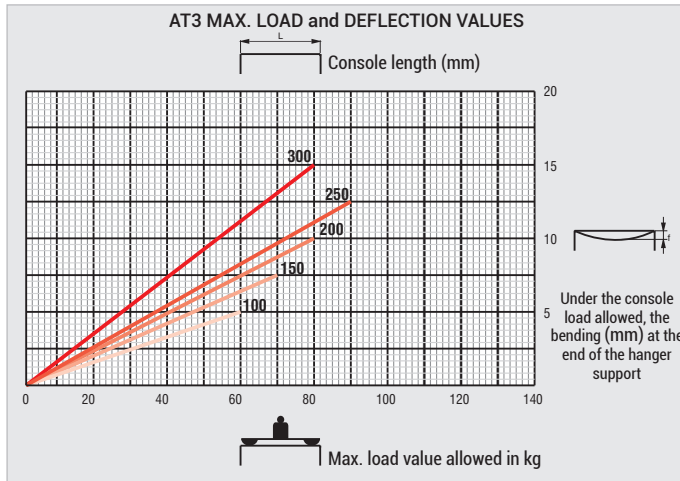
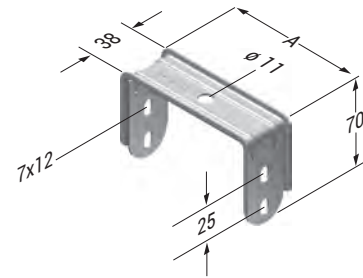
▶▶ E-LINE A-A

Tray Supports	2-4
V Support	5
Fixing Accessories	6
Heavy Duty Supports (Z)	7
Universal Support Fittings	8-9
Binrak Channel, Ceiling Mounting Fittings	10-12
Omega Wall Bracket, Application Examples	13-15
Support Extension Units	16
TS Tray Supports	17-18
Ceiling Mounting Fittings	19-21
Heavy Duty Supports (U), Ceiling Mounting Fittings	22-25
STS Tray Supports	26-29
A-STC-D I Profile	30-31
U Heavy Duty Supports	32-36
I Heavy Duty Supports	37-38
Heavy Duty Supports (Z)	39
A-STK Tray Supports	40
Support Fittings, Ceiling Mounting Fittings	41-45

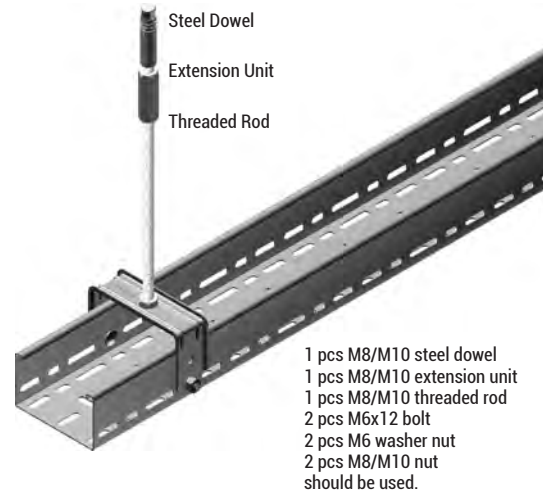
▶▶ TRAY SUPPORTS FOR THREADED RODS

Pre-Galvanized (TS EN 10346 - TS EN 10143), Hot Dip Galvanized (TS EN ISO 1461)

Description	A (mm)	T (mm)	Pack (pcs)	Weight (kg/pcs)	PG Code	Weight (kg/pcs)	HDG Code
AT3 050	50	1,5	20	0,091	3008276	0,100	3008277
AT3 100	100	1,5	10	0,100	3008274	0,110	3008275
AT3 150	150	1,5	10	0,130	3008272	0,143	3008273
AT3 200	200	1,5	10	0,155	3008270	0,171	3008271
AT3 250	250	1,5	10	0,179	3008268	0,197	3008269
AT3 300	300	1,5	10	0,203	3008266	0,223	3008267

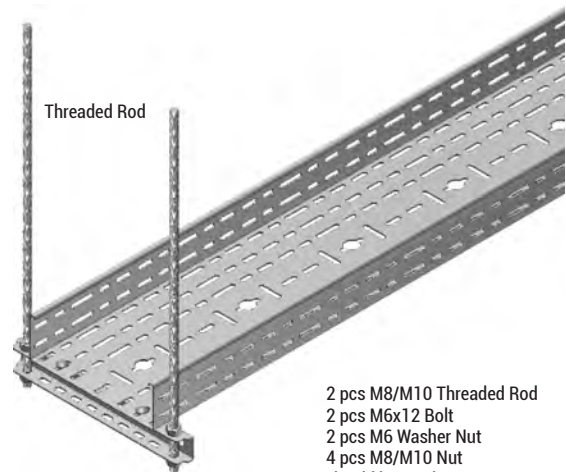
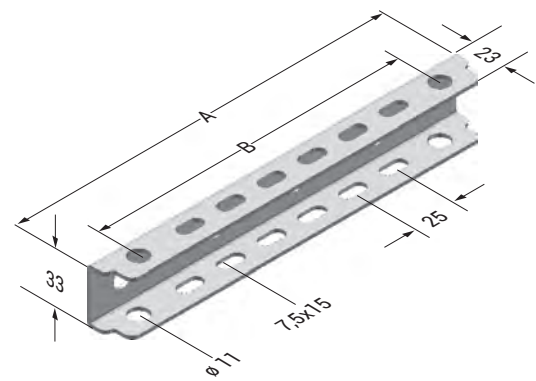
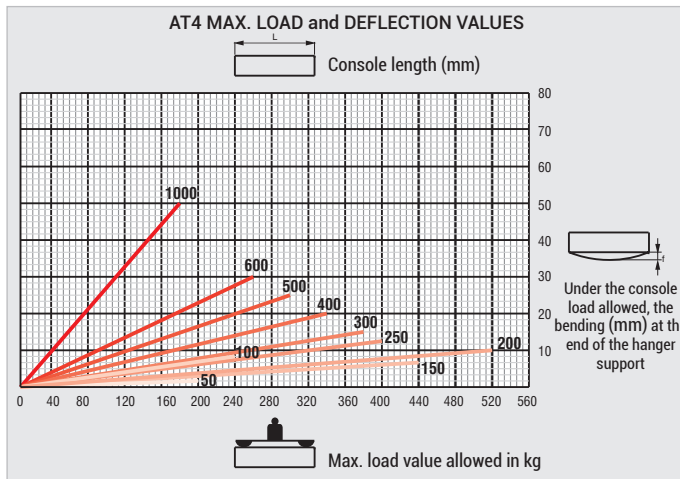


Load values in tables have been defined on the basis of the TS EN 61537 standard.



▶▶ Tray Supports For Threaded Rods Pre-Galvanized (TS EN 10346 - TS EN 10143), Hot Dip Galvanized (TS EN ISO 1461)

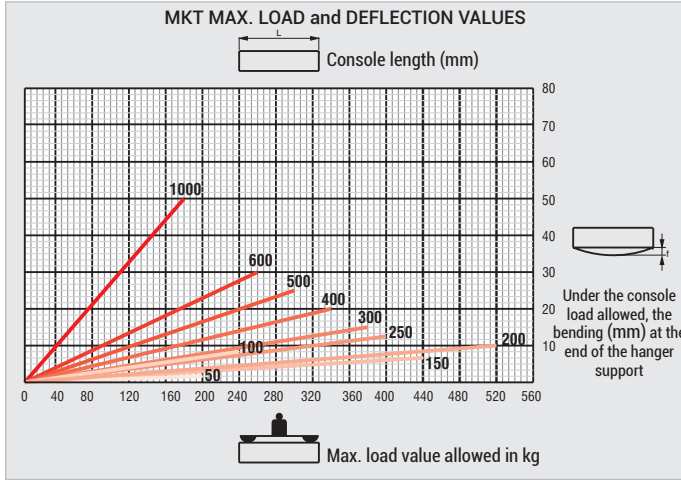
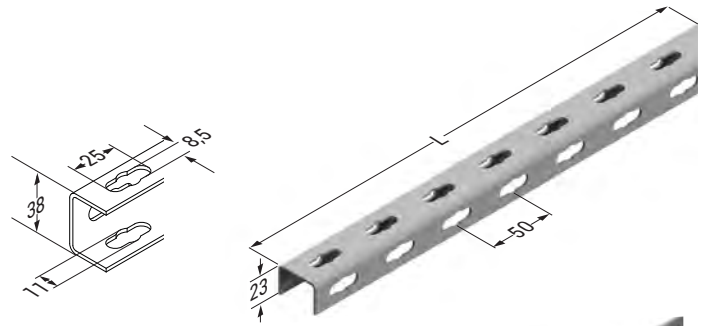
Description	A (mm)	B (mm)	T (mm)	Pack (pcs)	Weight (kg/pcs)	PG Code	Weight (kg/pcs)	HDG Code
AT4 050	125	85	2	20	0,120	3007950	0,132	3007951
AT4 100	175	135	2	20	0,168	3007948	0,184	3007949
AT4 150	225	185	2	20	0,215	3007946	0,236	3007947
AT4 200	275	235	2	20	0,262	3007944	0,288	3007945
AT4 250	325	285	2	20	0,310	3007942	0,341	3007943
AT4 300	375	335	2	20	0,357	3007940	0,392	3007941
AT4 400	475	435	2	20	0,457	3007938	0,502	3007939
AT4 500	575	535	2	20	0,557	3007936	0,601	3007937
AT4 600	675	635	2	20	0,642	3005829	0,706	3005830
AT4 1000	1075	1035	2	20	1,021	3007934	1,123	3007935



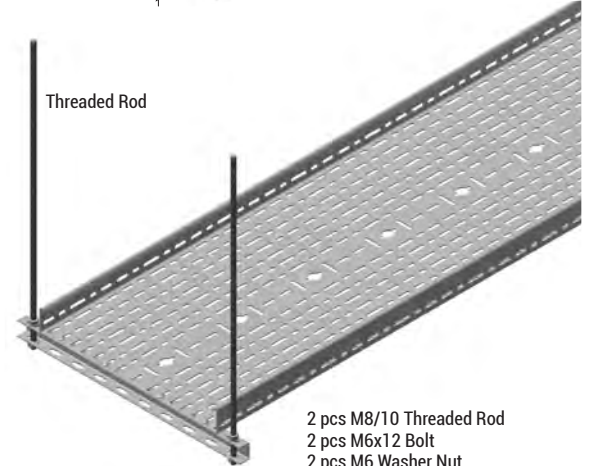
- Please contact your representative for inquiries regarding stainless steel alternatives.
- Please indicate order code in your orders.
- Please contact us for special dimensions.
- Material weights may vary by ± 10%

- All dimensions are given as in mm
- PG= Pre-Galvanized
- HDG= Hot Dip Galvanized

Description	L (mm)	T (mm)	Weight (kg/pcs)	PG Code	Weight (kg/pcs)	HDG Code
MKT 1000	1000	1,5	0,700	3301106	0,770	3301105
MKT 1000	1000	2	0,933	3110199	1,027	3004545
MKT 2000	2000	1,5	1,401	3295024	1,541	3295022
MKT 2000	2000	2	1,868	3110200	2,055	3004546
MKT 3000	3000	1,5	2,101	3295025	2,311	3295023
MKT 3000	3000	2	2,801	3110201	3,081	3108824



Load values in tables have been defined on the basis of the TS EN 61537 standard.

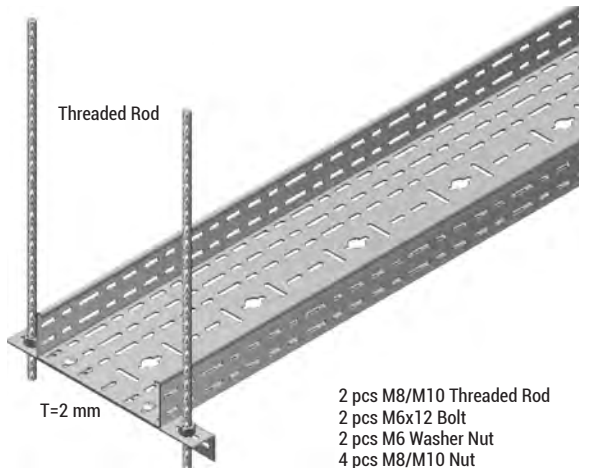
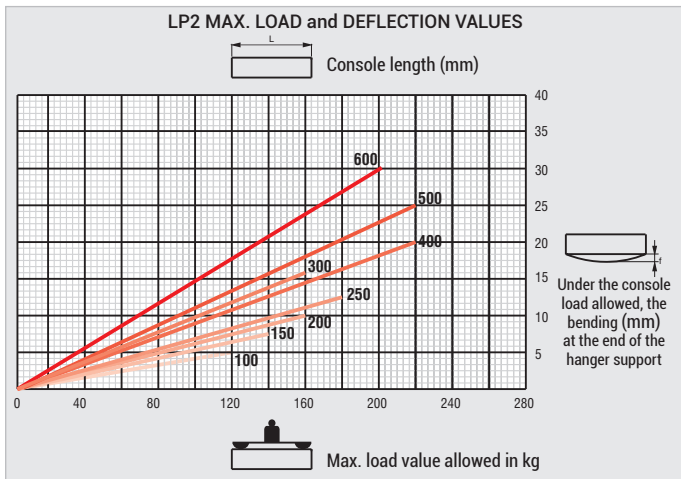
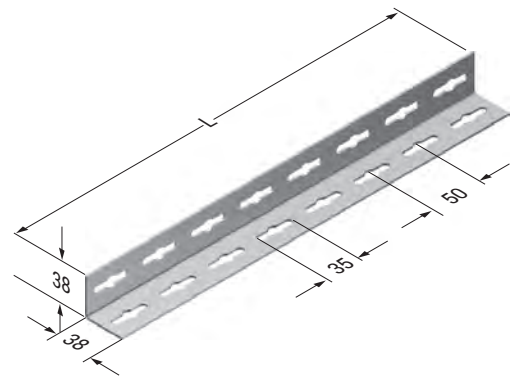


- 2 pcs M8/10 Threaded Rod
- 2 pcs M6x12 Bolt
- 2 pcs M6 Washer Nut
- 4 pcs M8/10 Nut should be used.

▶ Tray Supports For Threaded Rods Pre-Galvanized (TS EN 10346 - TS EN 10143), Hot Dip Galvanized (TS EN ISO 1461)

Description	T (mm)	L (mm)	Weight (kg/pcs)	PG Code	Weight (kg/pcs)	HDG Code
LP2 1000	2	1000	0,980	3001959	1,078	3001960
LP2 2000	2	2000	1,959	3001961	2,155	3001962
LP2 3000	2	3000	2,939	3001963	3,233	3001964

■ After the area is cut as required, it should be painted in line with the coating procedure. (See. Accessory Page 17.)



- 2 pcs M8/M10 Threaded Rod
- 2 pcs M6x12 Bolt
- 2 pcs M6 Washer Nut
- 4 pcs M8/M10 Nut should be used.

- Please contact your representative for inquiries regarding stainless steel alternatives.
- Please indicate order code in your orders.
- Please contact us for special dimensions.
- Material weights may vary by ± 10%

- All dimensions are given as in mm
- PG= Pre-Galvanized
- HDG= Hot Dip Galvanized

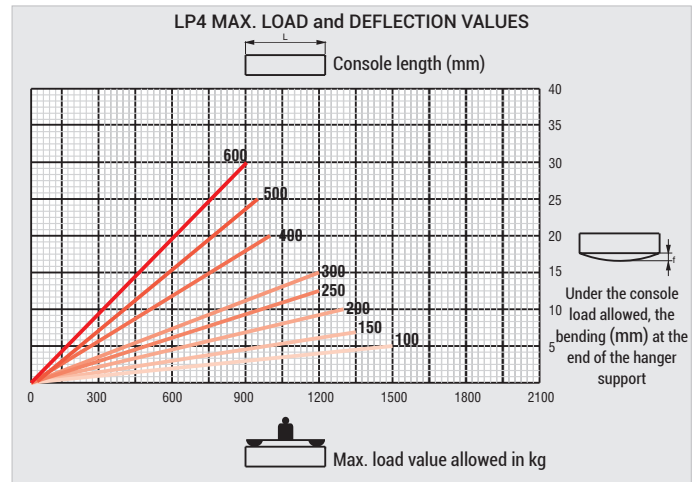
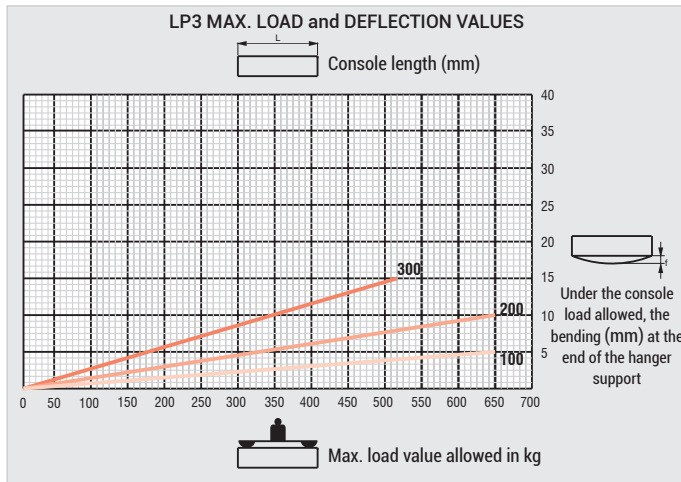
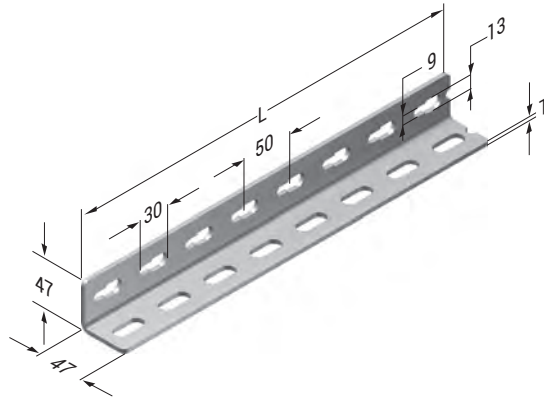
E-LINEA-A

▶▶ TRAY SUPPORTS FOR THREADED RODS

Hot Dip Galvanized (TS EN ISO 1461)



Description	T (mm)	L (mm)	Weight (kg/pcs)	HDG Code
LP3 1000	3	1000	1,781	3004563
LP3 2000	3	2000	3,566	3004565
LP3 3000	3	3000	5,350	3004566
LP4 1000	4	1000	2,323	3004568
LP4 2000	4	2000	4,651	3004570
LP4 3000	4	3000	6,979	3004571



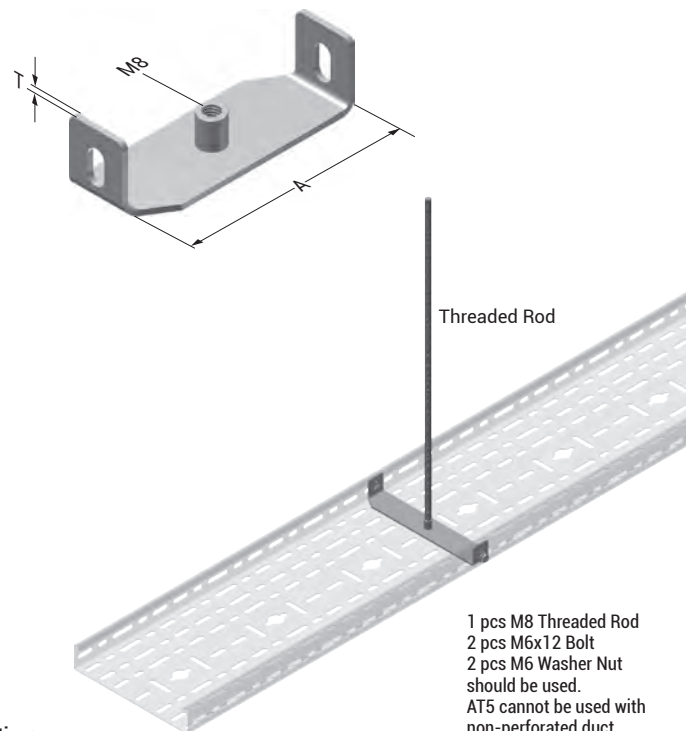
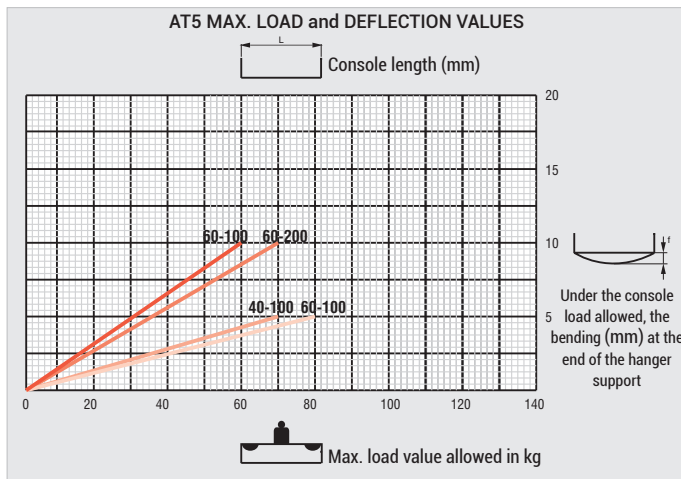
Load values in tables have been defined on the basis of the TS EN 61537 standard.

■ After the area is cut as required, it should be painted in line with the coating procedure. (See. Accessory Page 17.)

▶ Tray Supports For Threaded Rods Pre-Galvanized (TS EN 10346 - TS EN 10143)

Description	T (mm)	A (mm)	Pack (pcs)	Weight (kg/pcs)	PG Code
040 AT5 100	2	97	10	0,080	3006412
040 AT5 200	2,5	197	10	0,149	3006413
060 AT5 100	2	97	10	0,100	3006415
060 AT5 200	2,5	197	10	0,168	3006416

- AT5 type product is available just to use up to 1.2mm thickness tray.
- Please do not order for over 1.2mm thickness cable trays.



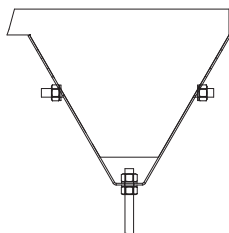
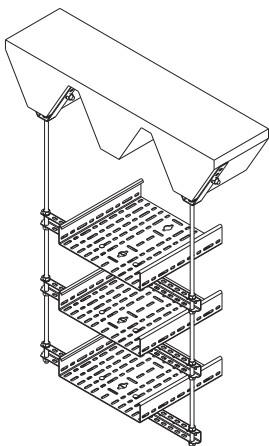
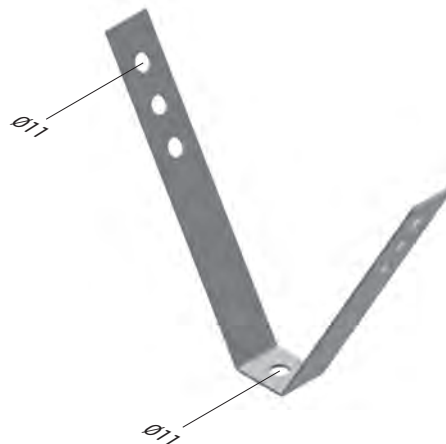
1 pcs M8 Threaded Rod
2 pcs M6x12 Bolt
2 pcs M6 Washer Nut
should be used.
AT5 cannot be used with non-perforated duct.

- Please contact your representative for inquiries regarding stainless steel alternatives.
- Please indicate order code in your orders.
- Please contact us for special dimensions.
- Material weights may vary by $\pm 10\%$

■ All dimensions are given as in mm

■ PG= Pre-Galvanized
■ HDG= Hot Dip Galvanized

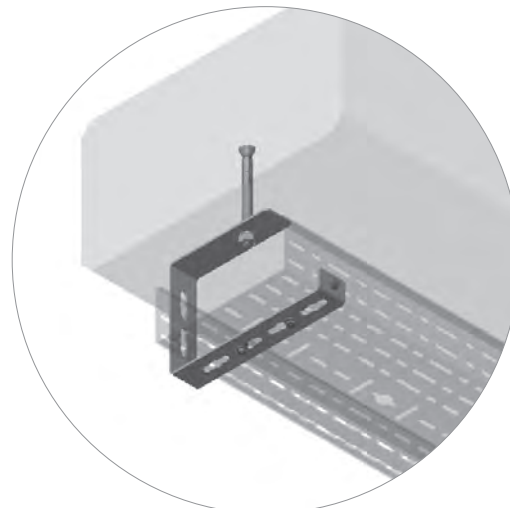
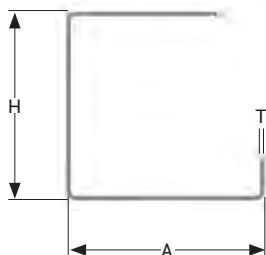
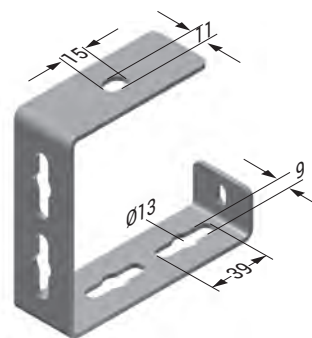
Description	PG Code
V Support Fitting	3063023



• This product can be specially manufactured to meet the customer's specified angles and sizes.

► C Support Pregalvanized (TS EN 10346 - TS EN 10143)

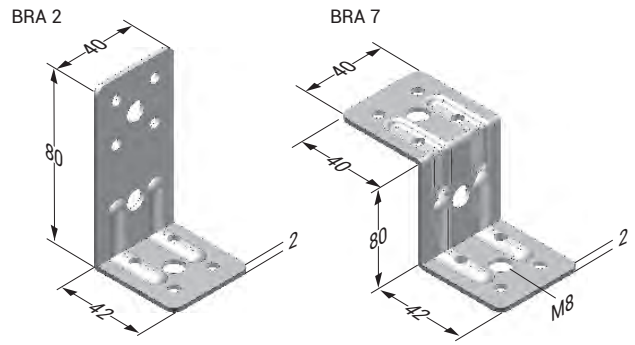
Description	H (mm)	A (mm)	T (mm)	Weight (kg/pcs)	PG Code	Weight (kg/pcs)	HDG Code
C HANGER WITH DOWEL 100-050	100	81	3	0,233	3086871	0,257	3086540
C HANGER WITH DOWEL 100-100	100	131	3	0,328	3086872	0,361	3086541
C HANGER WITH DOWEL 100-150	100	181	3	0,419	3086873	0,461	3086542
C HANGER WITH DOWEL 100-200	100	231	3	0,462	3086874	0,508	3086543
C HANGER WITH DOWEL 125-075	125	106	3	0,273	3086875	0,300	3086544
C HANGER WITH DOWEL 125-100	125	131	3	0,341	3086876	0,375	3086545
C HANGER WITH DOWEL 125-150	125	181	3	0,436	3086877	0,479	3086546
C HANGER WITH DOWEL 125-200	125	231	3	0,477	3086878	0,525	3086547
C HANGER WITH DOWEL 150-100	150	131	3	0,371	3086879	0,408	3086548
C HANGER WITH DOWEL 150-150	150	181	3	0,462	3086880	0,508	3086549
C HANGER WITH DOWEL 150-200	150	231	3	0,504	3086881	0,554	3086550
C HANGER WITH DOWEL 200-150	200	181	3	0,504	3086882	0,554	3086551
C HANGER WITH DOWEL 200-200	200	231	3	0,546	3086883	0,600	3086552



- Please contact your representative for inquiries regarding stainless steel alternatives.
- Please indicate order code in your orders.
- Please contact us for special dimensions.
- Material weights may vary by ± 10%

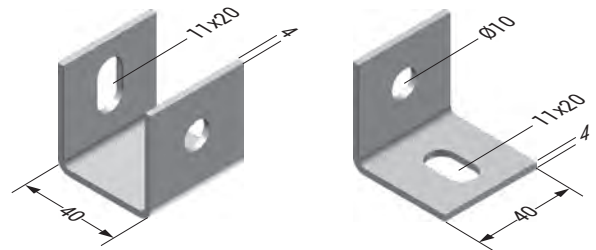
- All dimensions are given as in mm
- PG= Pre-Galvanized
- HDG= Hot Dip Galvanized

Description	Pack (pcs)	Weight (kg/pcs)	PG Code
BRA2 Fixing Fitting	20	0,074	3008265
BRA7 Fixing Fitting	20	0,076	3008324



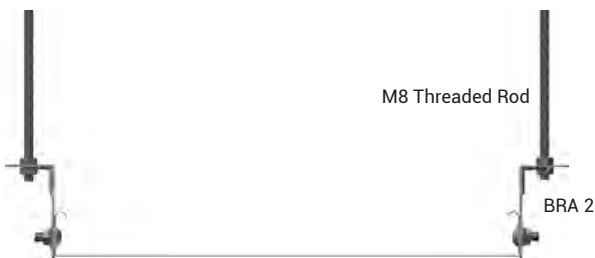
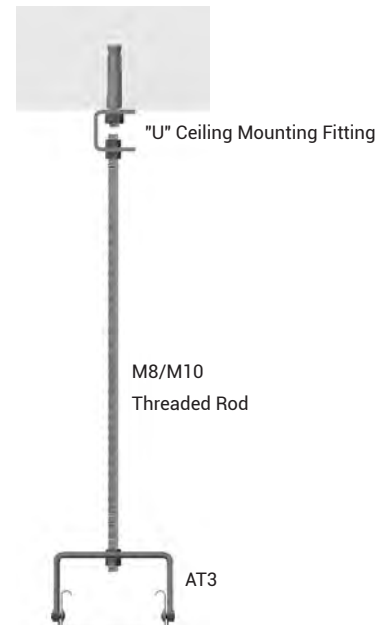
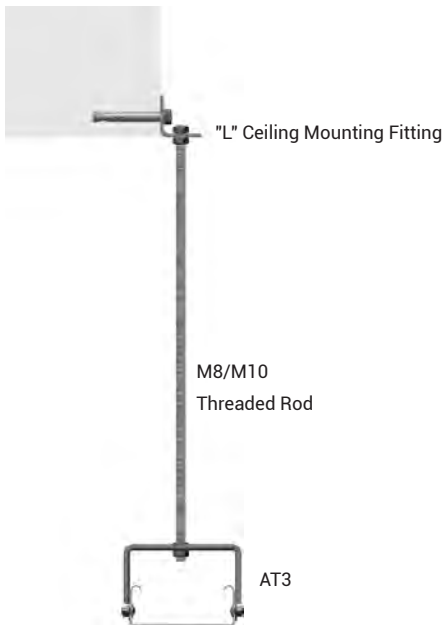
► Fixing Accessories (Alkali Zinc)

Description	Capacity (kg)	Pack (pcs)	Weight (kg/pcs)	PG Code
"U" Ceiling Mounting Fitting	250	20	0,135	3000001
"L" Ceiling Mounting Fitting	250	40	0,091	3000000



"U" Ceiling Mounting Fitting

"L" Ceiling Mounting Fitting



- Please indicate order code in your orders.
- Please contact us for special dimensions.
- Material weights may vary by $\pm 10\%$

- All dimensions are given as in mm
- PG= Pre-Galvanized
- HDG= Hot Dip Galvanized

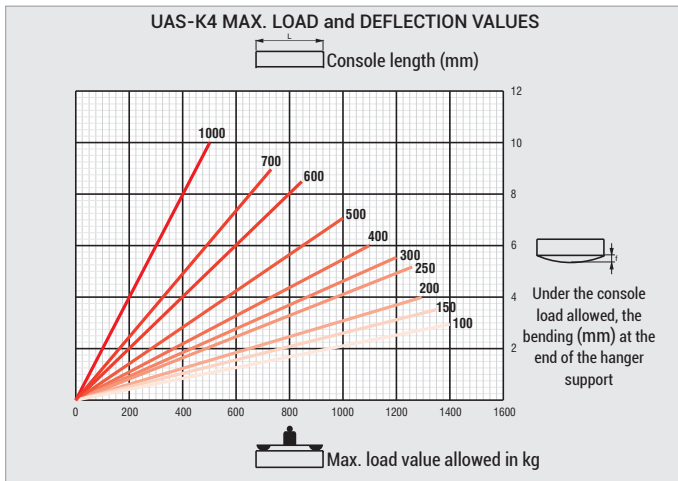
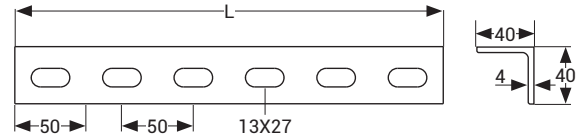
E-LINEA-A

►► HEAVY DUTY SUPPORTS (Z)

Hot Dip Galvanized (TS EN ISO 1461)



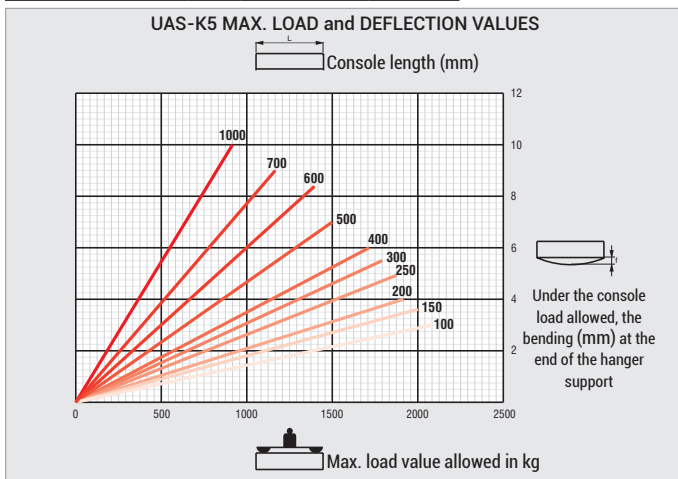
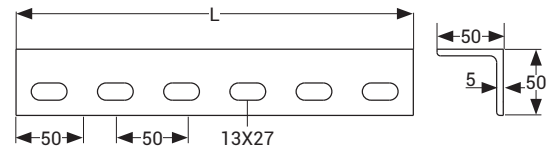
Description	T (mm)	L (mm)	Weight (kg/pcs)	HDG Code
UAS-K4 Support (1)	4	200	0,475	3005333
UAS-K4 Support (2)	4	250	0,594	3005332
UAS-K4 Support (3)	4	300	0,713	3005331
UAS-K4 Support (4)	4	350	0,832	3005330
UAS-K4 Support (5)	4	400	0,951	3005329
UAS-K4 Support (6)	4	500	1,189	3005328
UAS-K4 Support (7)	4	600	1,426	3005327
UAS-K4 Support (8)	4	700	1,664	3005326
UAS-K4 Support (9)	4	1100	2,615	3005325



Load values in tables have been defined on the basis of the TS EN 61537 standard.

►► Heavy Duty Supports (L) Hot Dip Galvanized (TS EN ISO 1461)

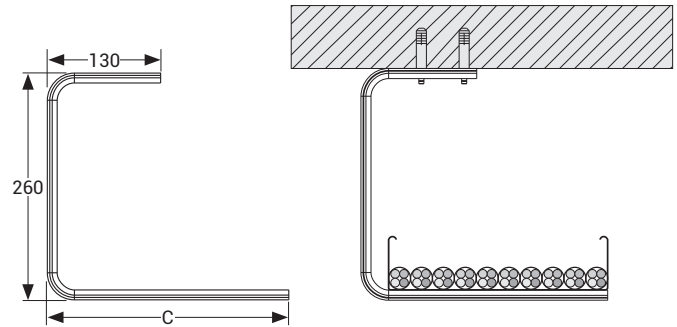
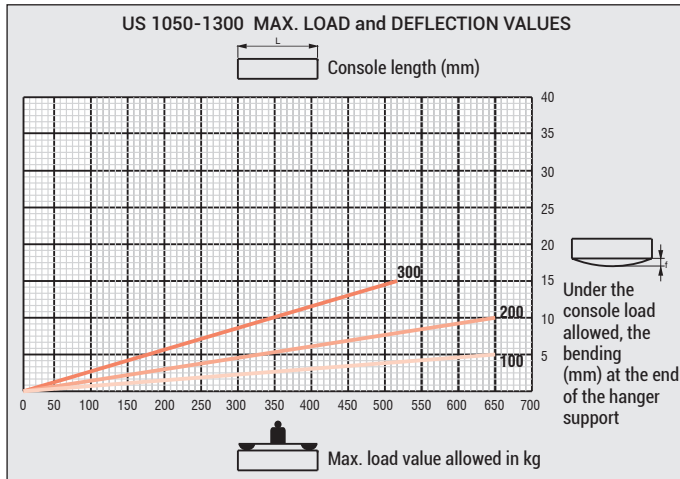
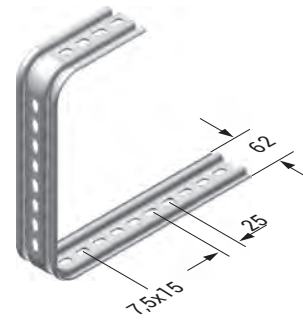
Description	T (mm)	L (mm)	Weight (kg/pcs)	HDG Code
UAS-K5 Support (1)	5	200	0,751	3005324
UAS-K5 Support (2)	5	250	0,938	3005323
UAS-K5 Support (3)	5	300	1,126	3005322
UAS-K5 Support (4)	5	350	1,313	3005321
UAS-K5 Support (5)	5	400	1,501	3005320
UAS-K5 Support (6)	5	500	1,876	3005319
UAS-K5 Support (7)	5	600	2,252	3005318
UAS-K5 Support (8)	5	700	2,627	3005317
UAS-K5 Support (9)	5	1100	4,129	3005316



- Please contact your representative for inquiries regarding stainless steel alternatives.
- Please indicate order code in your orders.
- Please contact us for special dimensions.
- Material weights may vary by ± 10%

- All dimensions are given as in mm
- PG= Pre-Galvanized
- HDG= Hot Dip Galvanized

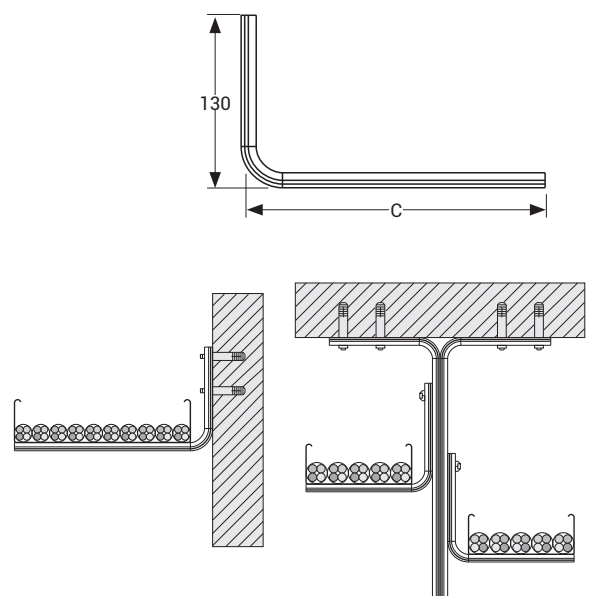
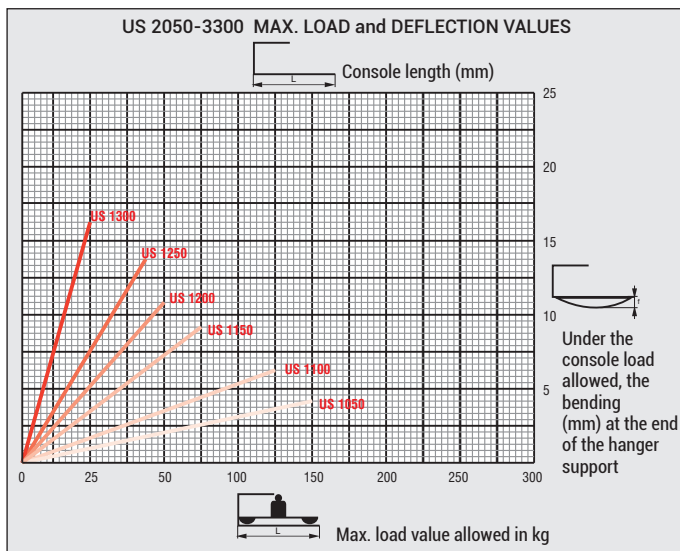
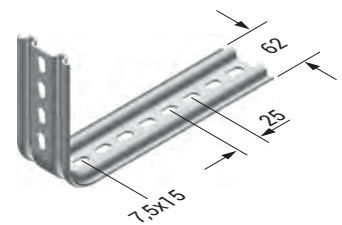
Description	C (mm)	T (mm)	Pack (set)	Weight (kg/pcs)	PG Code	Weight (kg/pcs)	HDG Code
US 1050	80	2	10	0,500	3008041	0,550	3008042
US 1100	130	2	10	0,550	3008043	0,605	3008044
US 1150	180	2	10	0,611	3008045	0,672	3008046
US 1200	230	2	10	0,666	3008047	0,733	3008048
US 1250	280	2	10	0,721	3008049	0,793	3008050
US 1300	330	2	10	0,777	3008051	0,855	3008052



Load values in tables have been defined on the basis of the TS EN 61537 standard.

► Universal Support Fittings

Description	C (mm)	T (mm)	Pack (set)	Weight (kg/pcs)	PG Code	Weight (kg/pcs)	HDG Code
US 2050	80	2	10	0,220	3008053	0,242	3008054
US 2100	130	2	10	0,275	3008055	0,303	3008056
US 2150	180	2	10	0,330	3008057	0,363	3008058
US 2200	230	2	10	0,386	3008059	0,425	3008060
US 2250	280	2	10	0,441	3008061	0,485	3008062
US 2300	330	2	10	0,470	3008063	0,517	3008064
US 3300	380	2	10	0,496	3008065	0,546	3008066

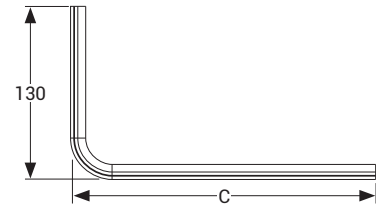
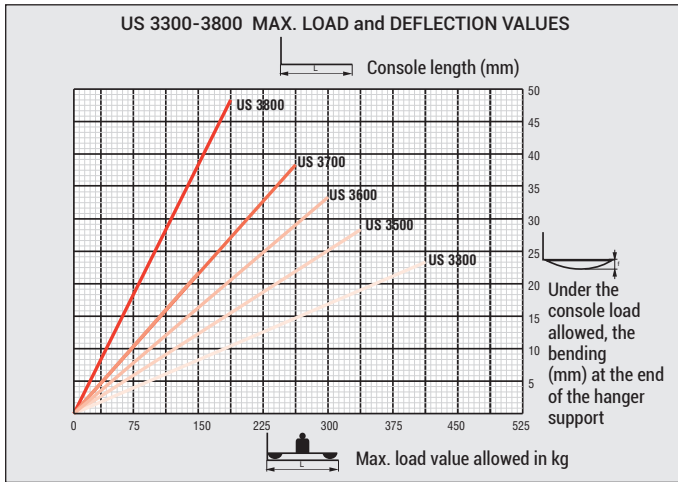
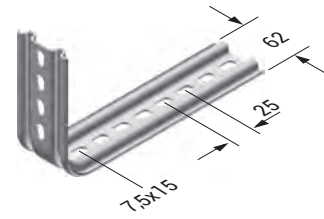


Load values in tables have been defined on the basis of the TS EN 61537 standard.

- Please contact your representative for inquiries regarding stainless steel alternatives.
- Please indicate order code in your orders.
- Please contact us for special dimensions.
- Material weights may vary by $\pm 10\%$

- All dimensions are given as in mm
- PG= Pre-Galvanized
- HDG= Hot Dip Galvanized

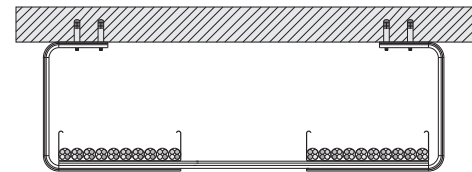
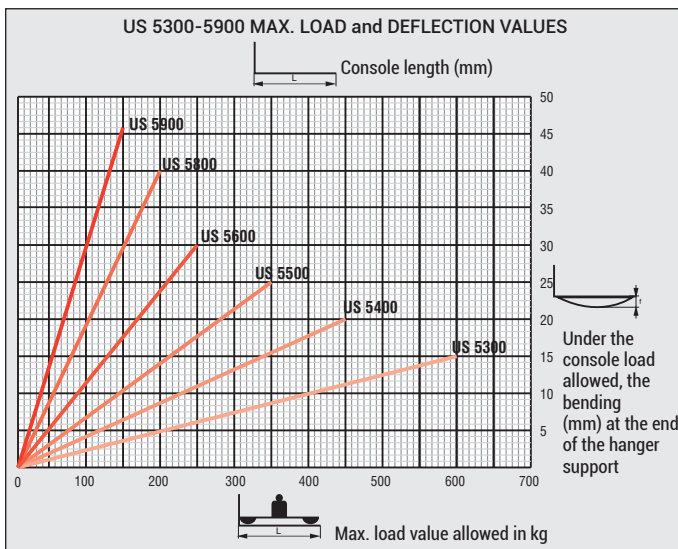
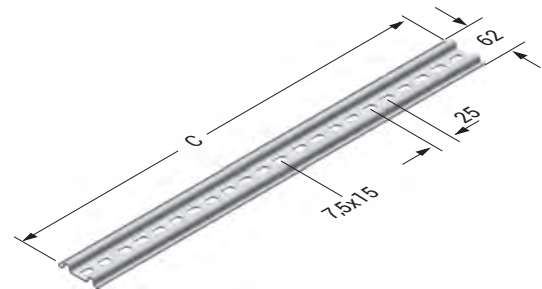
Description	C (mm)	T (mm)	Pack (set)	Weight (kg/pcs)	PG Code	Weight (kg/pcs)	HDG Code
US 3400	480	2	10	0,662	3008067	0,728	3008068
US 3500	580	2	10	0,773	3008069	0,850	3008070
US 3600	680	2	10	0,883	3008071	0,971	3008072
US 3700	780	2	10	0,994	3008073	1,093	3008074
US 3800	880	2	10	1,101	3008075	1,211	3008076



Load values in tables have been defined on the basis of the TS EN 61537 standard.

► Universal Support Fittings

Description	C (mm)	T (mm)	Pack (set)	Weight (kg/pcs)	PG Code	Weight (kg/pcs)	HDG Code
US 5300	300	2	10	0,322	3008087	0,354	3008088
US 5400	400	2	10	0,429	3008089	0,472	3008090
US 5500	500	2	10	0,536	3008091	0,590	3008092
US 5600	600	2	10	0,644	3008093	0,708	3008094
US 5800	800	2	10	0,864	3008095	0,951	3008096
US 5900	900	2	10	0,972	3008097	1,069	3008098



Load values in tables have been defined on the basis of the TS EN 61537 standard.

- Please contact your representative for inquiries regarding stainless steel alternatives.
- Please indicate order code in your orders.
- Please contact us for special dimensions.
- Material weights may vary by $\pm 10\%$

- All dimensions are given as in mm
- PG= Pre-Galvanized
- HDG= Hot Dip Galvanized

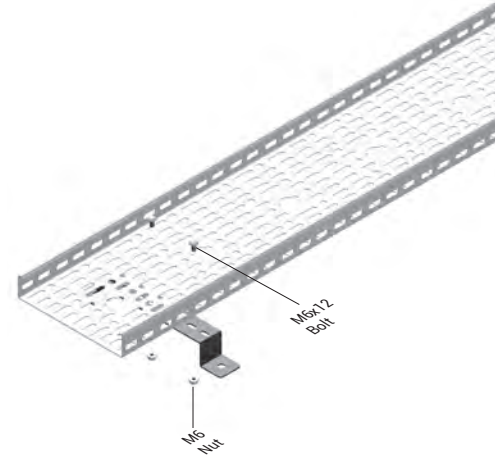
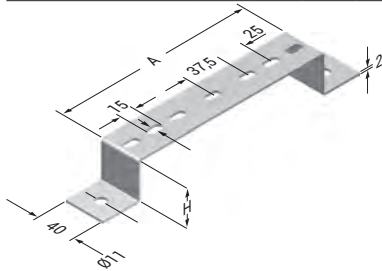
E-LINEA-A

►►BINRAK CHANNEL

►Tray Supports Pre-Galvanized (TS EN 10346 - TS EN 10143), Hot Dip Galvanized (TS EN ISO 1461)

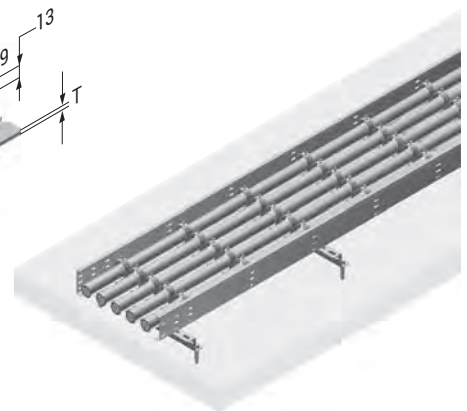
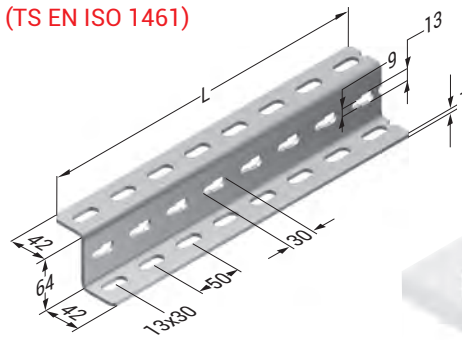


Description	H (mm)	A (mm)	T (mm)	Pack (pcs)	Weight (kg/pcs)	PG Code	Weight (kg/pcs)	HDG Code
Omega Console 1	40	100	2	10	0,150	3006359	0,165	3006360
Omega Console 2	40	200	2	10	0,205	3006371	0,226	3006372
Omega Console 3	40	300	2	10	0,262	3006373	0,288	3006374
Omega Console 4	40	410	2	10	-	-	0,516	3176675
Omega Console 5	40	510	2	10	-	-	0,610	3176676
Omega Console 6	40	610	2	10	-	-	0,930	3176678



►►Heavy Duty Supports (Z) Hot Dip Galvanized (TS EN ISO 1461)

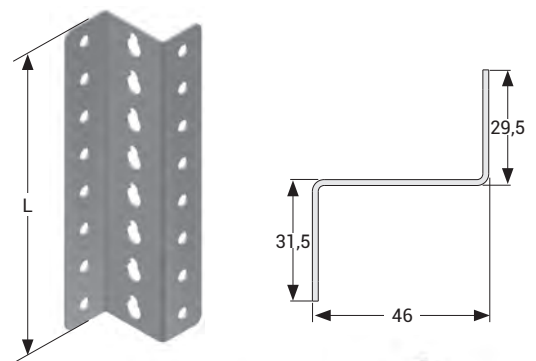
Description	T (mm)	L (mm)	Weight (kg/pcs)	HDG Code
ZPY 1000	3	1000	3,022	3004416
ZPY 1500	3	1500	4,534	3004417
ZPY 2000	3	2000	6,045	3004418
ZPY 3000	3	3000	9,068	3001957
ZPY 1000	4	1000	3,973	3004483
ZPY 1500	4	1500	5,959	3004484
ZPY 2000	4	2000	7,947	3004485
ZPY 3000	4	3000	11,920	3001958



■ After the area is cut as required, it should be painted in line with the coating procedure. (See. Accessory Page 17.)

►►Omega Wall Bracket Pre-Galvanized (TS EN 10346 - TS EN 10143), Hot Dip Galvanized (TS EN ISO 1461)

Description	L (mm)	T (mm)	Pack (pcs)	Weight (kg/pcs)	PG Code	Weight (kg/pcs)	HDG Code
ASU-Z 1000	1000	1,5	10	1,086	3086467	1,195	3086471
ASU-Z 1500	1500	1,5	10	1,628	3086468	1,791	3086472
ASU-Z 2000	2000	1,5	10	2,171	3086469	2,388	3086473
ASU-Z 3000	3000	1,5	10	3,257	3086470	3,583	3086474
ASU-Z 1000	1000	2	10	1,445	3086475	1,590	3086479
ASU-Z 1500	1500	2	10	2,168	3086476	2,385	3086480
ASU-Z 2000	2000	2	10	2,891	3086477	3,180	3086481
ASU-Z 3000	3000	2	10	4,336	3086478	4,770	3086482

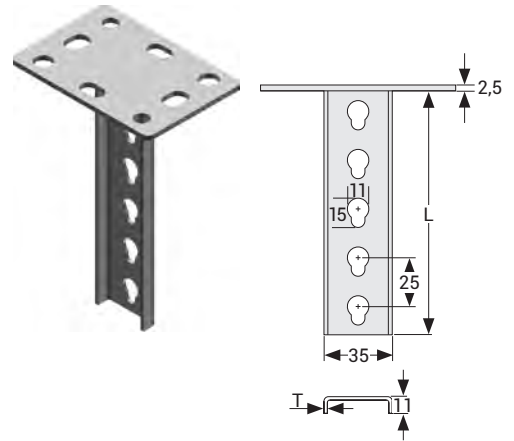
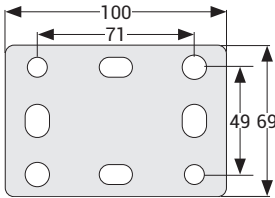


■ After the area is cut as required, it should be painted in line with the coating procedure. (See. Accessory Page 17.)

- Please contact your representative for inquiries regarding stainless steel alternatives.
- Please indicate order code in your orders.
- Please contact us for special dimensions.
- Material weights may vary by $\pm 10\%$

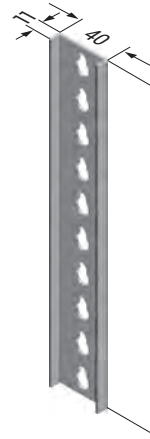
- All dimensions are given as in mm
- PG= Pre-Galvanized
- HDG= Hot Dip Galvanized

Description	T (mm)	L (mm)	Tensile Load (kg)	Pack (pcs)	Weight (kg/pcs)	HDG Code
TMP 1 Ceiling Support Unit	2	125	250	10	0,228	3008194
TMP 1 Ceiling Support Unit	2	250	250	10	0,326	3008193
TMP 1 Ceiling Support Unit	2	500	250	10	0,476	3008192



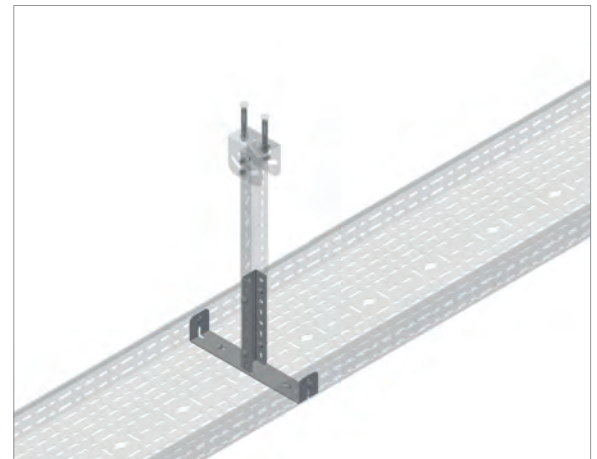
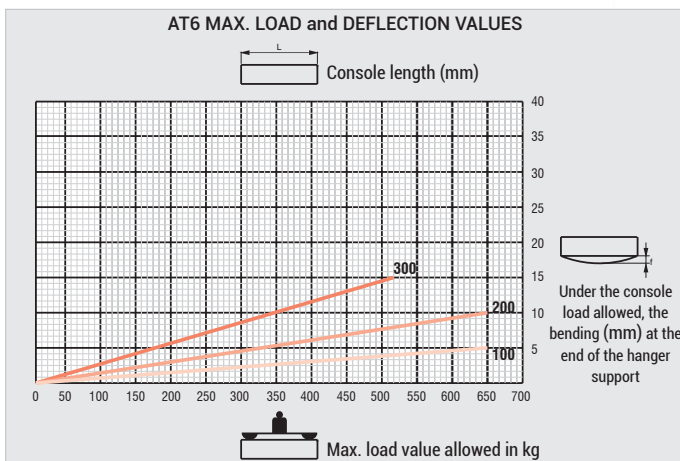
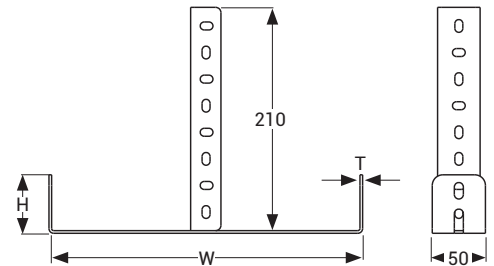
► Omega Wall Bracket Pre-Galvanized (TS EN 10346 - TS EN 10143), Hot Dip Galvanized (TS EN ISO 1461)

Description	T (mm)	L (mm)	Pack (pcs)	Weight (kg/pcs)	PG Code	Weight (kg/pcs)	HDG Code
ASU 1A-1	2	125	20	0,089	3008580	0,098	3008581
ASU 1A-2	2	250	20	0,179	3008578	0,197	3008579
ASU 1A-3	2	500	20	0,358	3008576	0,394	3008577
ASU 1A-4	2	1000	20	0,716	3008574	0,788	3008575



► Tray Supports For Threaded Rods Hot Dip Galvanized (TS EN ISO 1461)

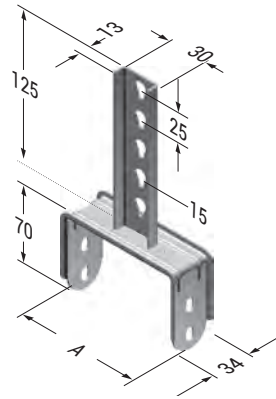
Description	T (mm)	H (mm)	W (mm)	Weight (kg/pcs)	HDG Code
40-50 AT6 100	2,5	35	95	0,450	3301107
40-50 AT6 200	2,5	35	195	0,509	3238952
40-50 AT6 300	2,5	35	295	0,667	3238953
60-75 AT6 100	2,5	55	95	0,485	3301108
60-75 AT6 200	2,5	55	195	0,591	3179917
60-75 AT6 300	2,5	55	295	0,700	3165065



- Please contact your representative for inquiries regarding stainless steel alternatives.
- Please indicate order code in your orders.
- Please contact us for special dimensions.
- Material weights may vary by ± 10%

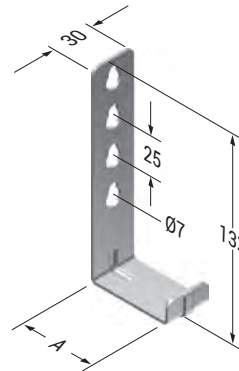
- All dimensions are given as in mm
- PG= Pre-Galvanized
- HDG= Hot Dip Galvanized

Description	A (mm)	T (mm)	Pack (pcs)	Weight (kg/pcs)	HDG Code
AT1 050	50	2	20	0,199	3008541
AT1 100	100	2	10	0,232	3008540
AT1 150	150	2	10	0,240	3008539
AT1 200	200	2	10	0,293	3008538



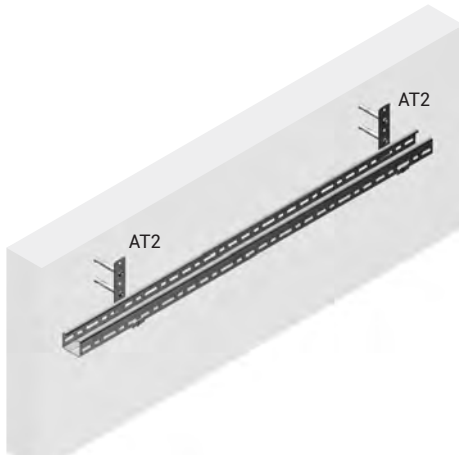
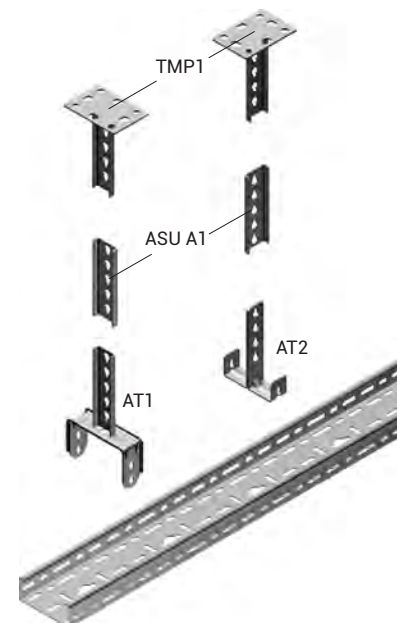
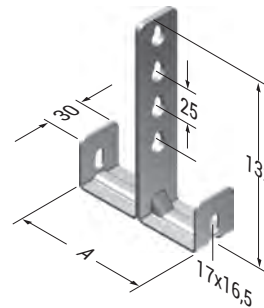
▶ Tray Support Pre-Galvanized (TS EN 10346 - TS EN 10143), Hot Dip Galvanized (TS EN ISO 1461)

Description	A (mm)	T (mm)	Pack (pcs)	Weight (kg/pcs)	PG Code	Weight (kg/pcs)	HDG Code
4 AT2 050	50	2	10	0,089	3008536	0,098	3008537



▶ Tray Supports Pre-Galvanized (TS EN 10346 - TS EN 10143), Hot Dip Galvanized (TS EN ISO 1461)

Description	A (mm)	T (mm)	Pack (pcs)	Weight (kg/tk)	PG Code	Weight (kg/tk)	HDG Code
4 AT2 100	97	2	5	0,184	3008534	0,202	3008535
4 AT2 150	147	2	5	0,208	3008532	0,228	3008533
4 AT2 200	197	2	5	0,234	3008530	0,258	3008531
6 AT2 100	97	2	5	0,202	3008261	0,222	3008262
6 AT2 150	147	2	5	0,228	3008259	0,250	3008260
6 AT2 200	197	2	5	0,252	3008528	0,278	3008529



▶ Please contact your representative for inquiries regarding stainless steel alternatives.

- Please indicate order code in your orders.
- Please contact us for special dimensions.
- Material weights may vary by ± 10%

- All dimensions are given as in mm
- PG= Pre-Galvanized
- HDG= Hot Dip Galvanized

►► OMEGA WALL BRACKET

Pregalvanized (TS EN 10346 - TS EN 10143)

Description	T (mm)	Weight (kg/pcs)	PG Code
ASU 2A BR OMEGA WALL BRACKET	4	0,277	3102914
BR 41x21 OMEGA WALL BRACKET	4	0,239	3102912
BR 41x41 OMEGA WALL BRACKET	4	0,298	3102913
KTK OMEGA WALL BRACKET	2	0,167	3102911

ASU 2A



KTK



BR 41x21

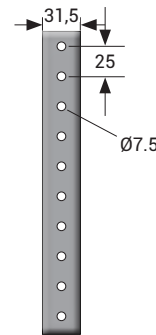
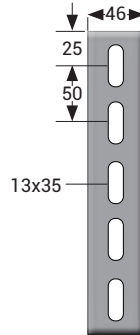


BR 41x41



► Omega Wall Bracket Pre-Galvanized (TS EN 10346 - TS EN 10143)

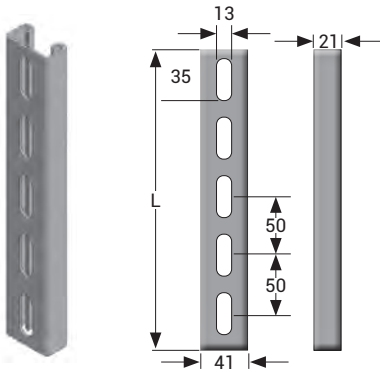
Description	L (mm)	T (mm)	Weight (kg/pcs)	PG Code
ASU 2A BR - 1	125	2	0,175	3102905
ASU 2A BR - 2	250	2	0,350	3102906
ASU 2A BR - 3	500	2	0,700	3102907
ASU 2A BR - 4	1000	2	1,400	3102908
ASU 2A BR - 5	2000	2	2,800	3102909
ASU 2A BR - 6	3000	2	4,200	3102910



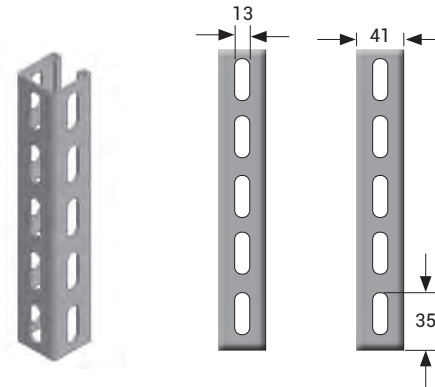
► Binrak Channel Pre-Galvanized (TS EN 10346 - TS EN 10143)

Description	T (mm)	Weight (kg/pcs)	PG Code
BR 251 BINRAK 41X21 (Slot 13x35)	1,5	1,111	3102915
BR 452 BINRAK 41X41 (Slot 13x35)	1,5	1,336	3102916

BR 251



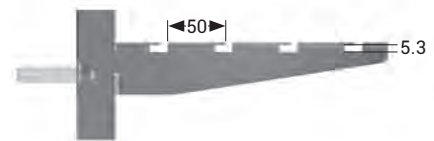
BR 452



*Please Indicate L size in your order.

► KTK Bracket Pre-Galvanized (TS EN 10346 - TS EN 10143)

Description	A (mm)	T (mm)	F max. (kg)	Weight (kg/pcs)	PG Code
KTK 100	100	2	110	0,130	3004612
KTK 200	200	2	110	0,254	3004613
KTK 300	300	2	110	0,450	3004614
KTK 400	400	2	110	0,587	3004615



* To fix the cable duct on the KTK Bracket, order 2 M6x12mm Bolt sets for each console.

* To fix the cable ladder on the KTK Bracket, order 2 pcs SE 3 fixing elements and 2 pcs M6x12mm Bolt set.

■ Please indicate order code in your orders.

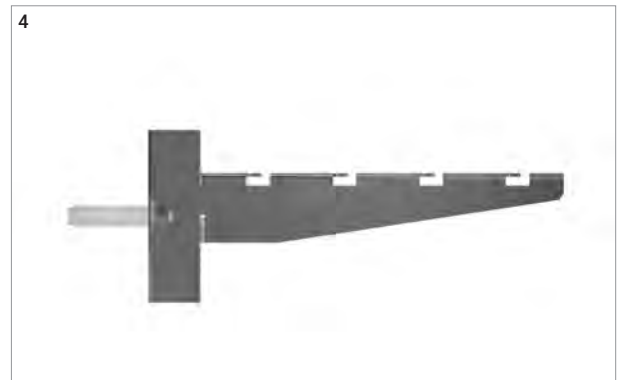
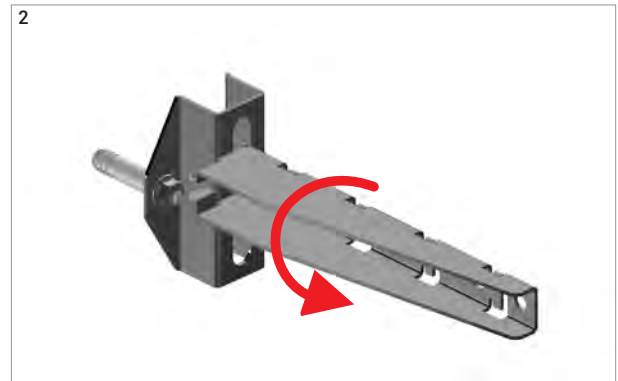
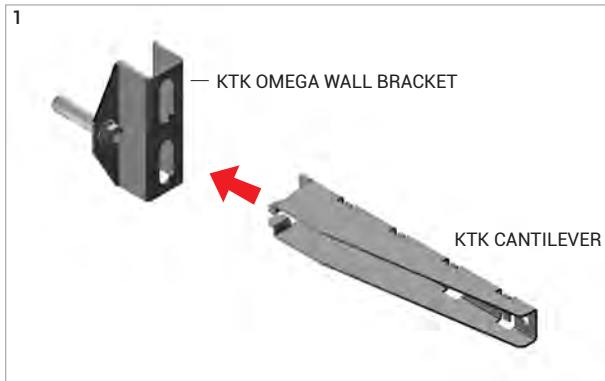
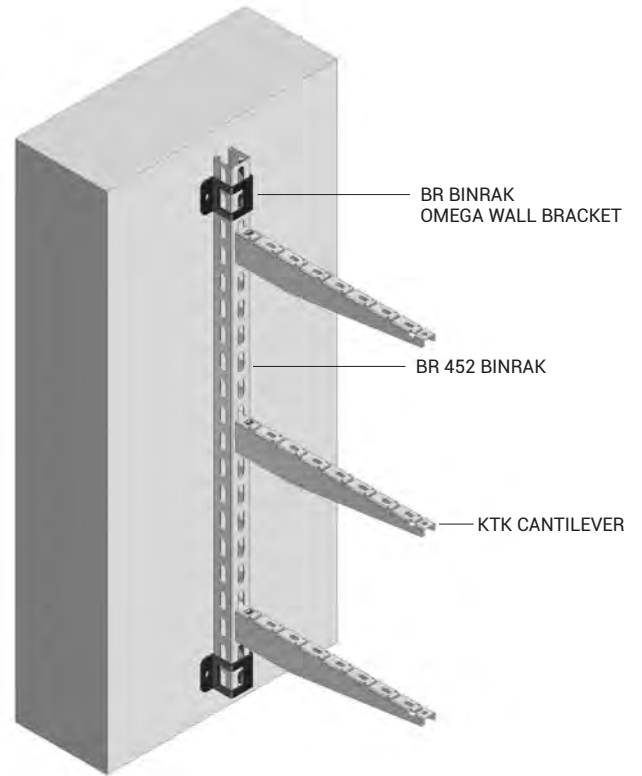
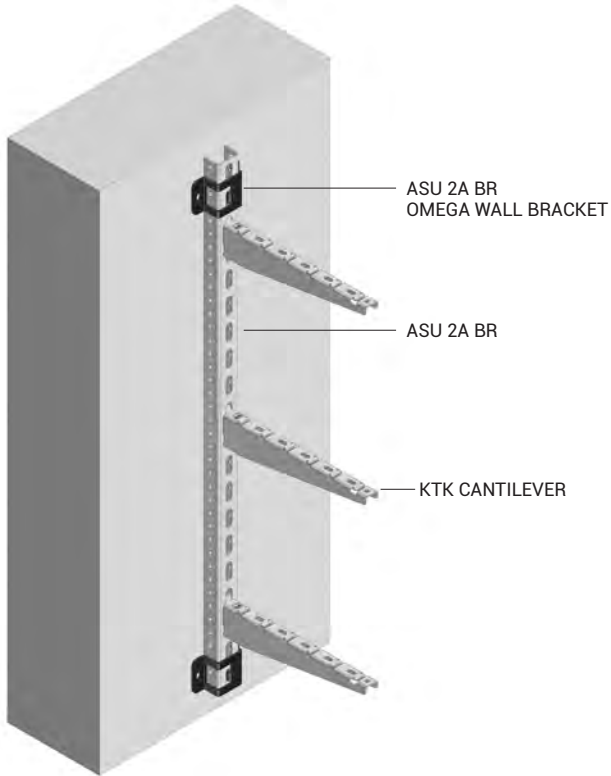
■ Please contact us for special dimensions.

■ Material weights may vary by ± 10%

■ All dimensions are given as in mm

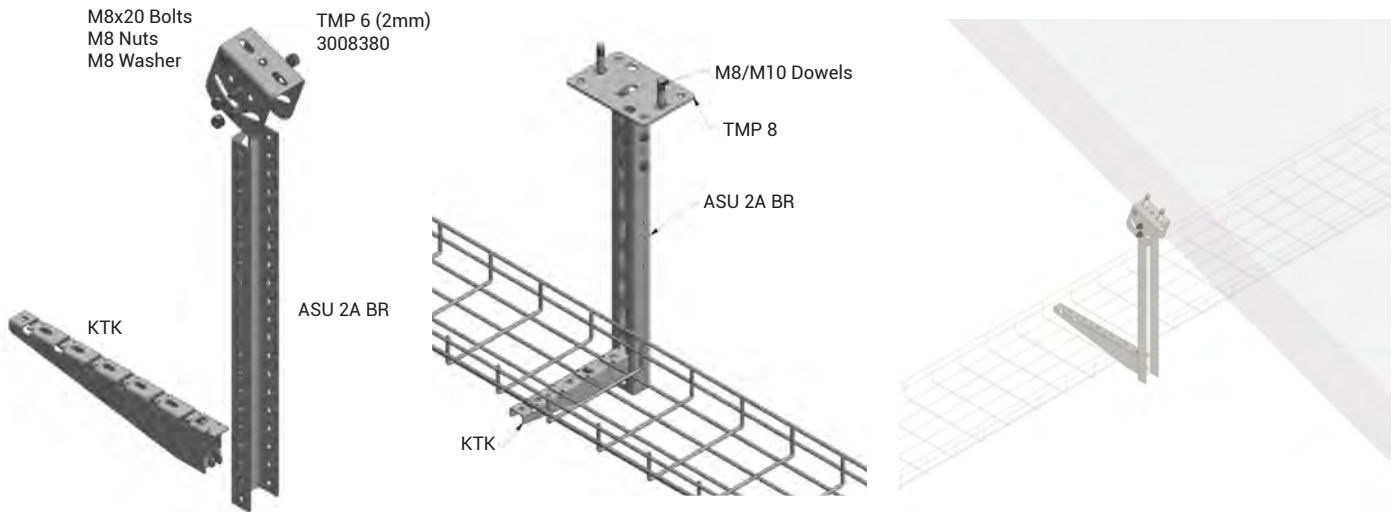
■ PG= Pre-Galvanized

■ HDG= Hot Dip Galvanized

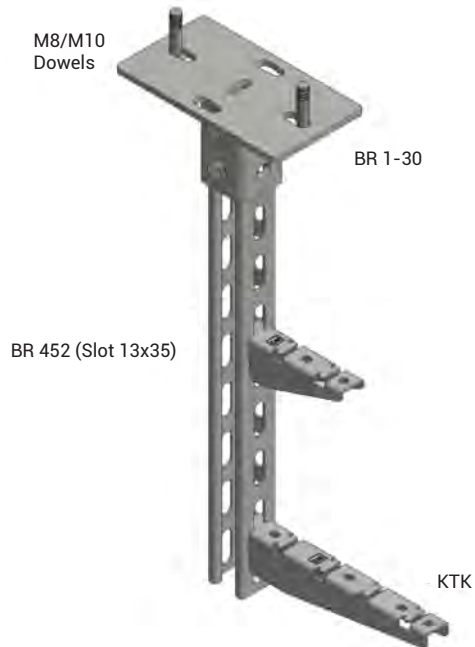
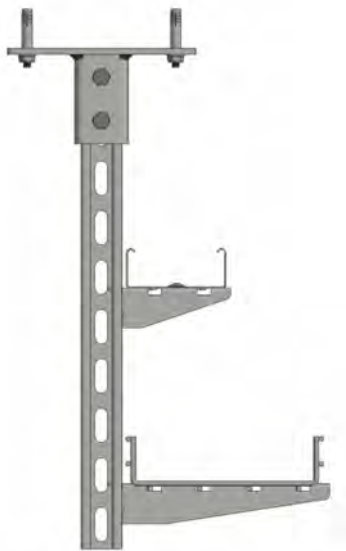


- Please contact your representative for inquiries regarding stainless steel alternatives.
- Please indicate order code in your orders.
- Please contact us for special dimensions.
- Material weights may vary by $\pm 10\%$

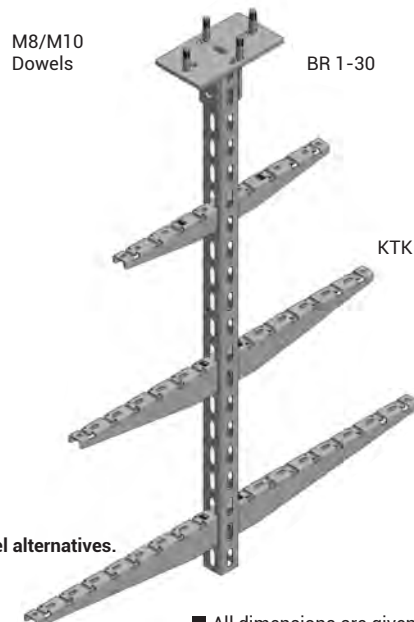
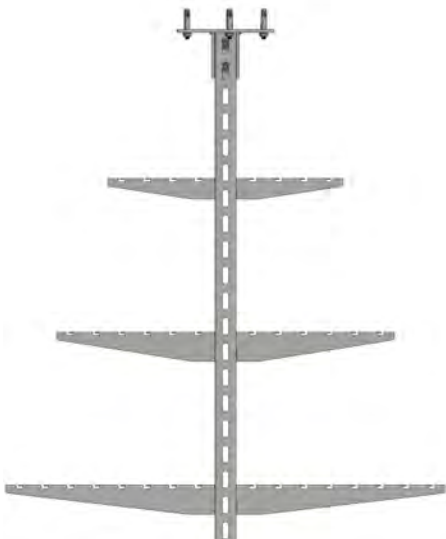
- All dimensions are given as in mm
- PG= Pre-Galvanized
- HDG= Hot Dip Galvanized



▶ ONE SIDE USING EXAMPLE



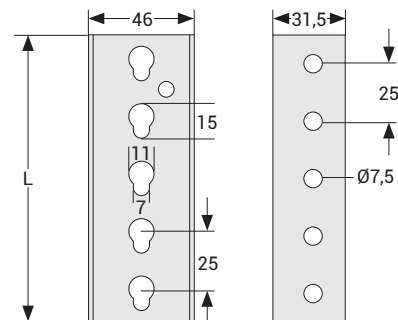
▶ TWO SIDE USING EXAMPLE



- Please contact your representative for inquiries regarding stainless steel alternatives.
- Please indicate order code in your orders.
- Please contact us for special dimensions.
- Material weights may vary by ± 10%

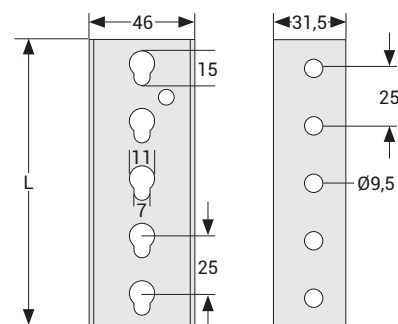
- All dimensions are given as in mm
- PG= Pre-Galvanized
- HDG= Hot Dip Galvanized

Description	L (mm)	T (mm)	Pack (pcs)	Weight (kg/pcs)	PG Code
ASU 1,5A-4	1000	1,5	10	1,113	3086455
ASU 1,5A-5	2000	1,5	10	2,225	3086457
ASU 1,5A-6	3000	1,5	20	3,338	3086458
ASU 2A-1	125	2	10	0,184	3008588
ASU 2A-2	250	2	10	0,407	3008586
ASU 2A-3	500	2	10	0,740	3008584
ASU 2A-4	1000	2	10	1,489	3008582
ASU 2A-5	2000	2	10	2,978	3008167
ASU 2A-6	3000	2	20	4,468	3008174



►► Omega Wall Bracket Hot Dip Galvanized (TS EN ISO 1461)

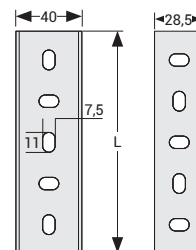
Description	L (mm)	T (mm)	Pack (pcs)	Weight (kg/pcs)	HDG Code
ASU 1,5A-4	1000	1,5	10	1,224	3086459
ASU 1,5A-5	2000	1,5	10	2,393	3086460
ASU 1,5A-6	3000	1,5	20	3,672	3086461
ASU 2A-1	125	2	10	0,202	3008589
ASU 2A-2	250	2	10	0,447	3008587
ASU 2A-3	500	2	10	0,814	3008585
ASU 2A-4	1000	2	10	1,600	3008583
ASU 2A-5	2000	2	10	3,168	3008168
ASU 2A-6	3000	2	20	4,750	3008175
ASU 3A-4	1000	3	10	2,343	3086433
ASU 3A-5	2000	3	10	4,685	3086434
ASU 3A-6	3000	3	20	7,028	3086435



►► Asu Joint Unit Pre-Galvanized (TS EN 10346 - TS EN 10143), Hot Dip Galvanized (TS EN ISO 1461)

Description	L (mm)	T (mm)	Pack (pcs)	Weight (kg/pcs)	PG Code	Weight (kg/pcs)	HDG Code
Asu Joint Unit	135	2	20	0,173	3006640	0,190	3006641

■ For the ASU joint unit, it is imperative to use a set of 8 M6x12 bolts (1004314)



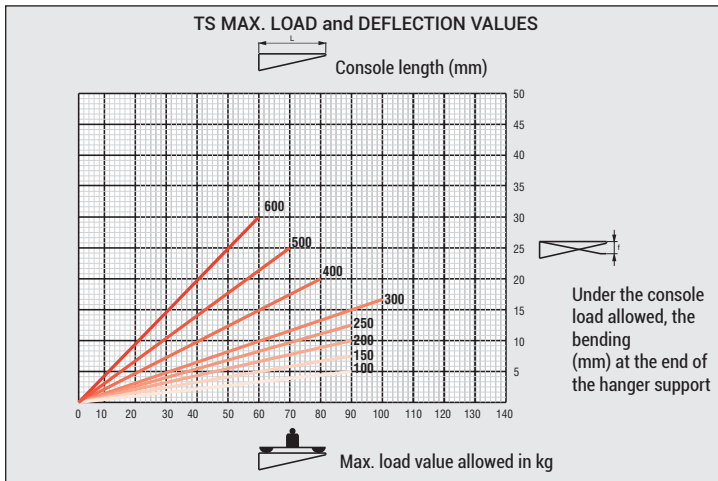
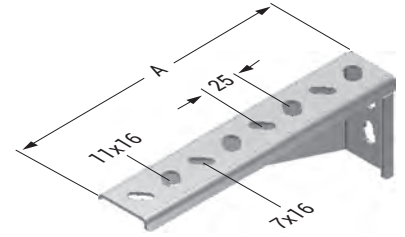
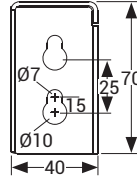
Description	Weight (kg/pcs)	Product Code
Asu Protective Cap	0,005	1027657

- Please contact your representative for inquiries regarding stainless steel alternatives.
- Please indicate order code in your orders.
- Please contact us for special dimensions.
- Material weights may vary by ± 10%

- All dimensions are given as in mm
- PG= Pre-Galvanized
- HDG= Hot Dip Galvanized

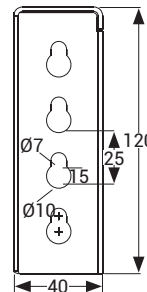
Description	A (mm)	T (mm)	Pack (pcs)	Weight (kg/pcs)	PG Code	Weight (kg/pcs)	HDG Code
TS 050	55	2	20	0,107	3008556	0,118	3008557
TS 100	105	2	20	0,165	3008554	0,182	3008555
TS 150	155	2	20	0,224	3008552	0,246	3008553
TS 200	205	2	10	0,283	3008550	0,311	3008551
TS 250	255	2	10	0,474	3008548	0,521	3008549
TS 300	305	2	10	0,552	3008546	0,607	3008547
TS 400	405	2	10	0,710	3008544	0,781	3008545
TS 500	505	2	10	0,868	3008542	0,955	3008543
TS 600	605	2	10	1,025	3005827	1,128	3005828

TS 050
TS 100
TS 150
TS 200



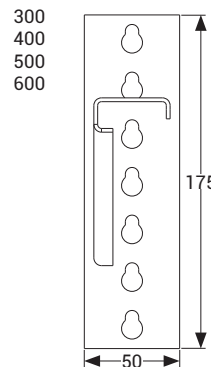
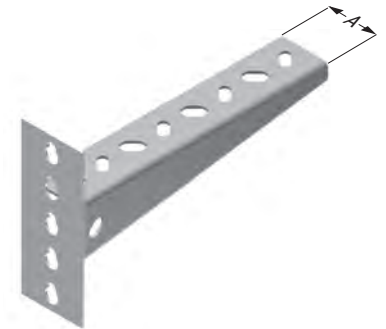
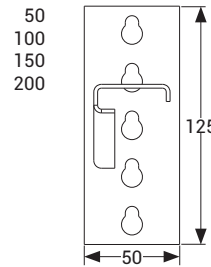
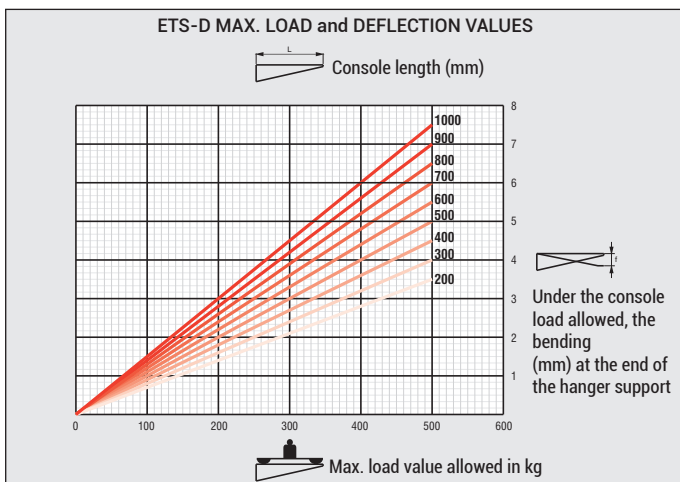
Load values in tables have been defined on the basis of the TS EN 61537 standard.

TS 250
TS 300
TS 400
TS 500
TS 600



▶ ETS-D Support Hot Dip Galvanized (TS EN ISO 1461)

Description	A (mm)	T (mm)	Weight (kg/pcs)	HDG Code
ETS-D 050 Support Fitting	70	2	0,191	3048986
ETS-D 100 Support Fitting	120	2	0,256	3048987
ETS-D 150 Support Fitting	170	2	0,325	3048988
ETS-D 200 Support Fitting	220	2	0,392	3048989
ETS-D 300 Support Fitting	320	2	0,679	3048990
ETS-D 400 Support Fitting	420	2	0,850	3048991
ETS-D 500 Support Fitting	520	2	1,021	3048992
ETS-D 600 Support Fitting	620	2	1,192	3048993



- Please contact your representative for inquiries regarding stainless steel alternatives.
- Please indicate order code in your orders.
- Please contact us for special dimensions.
- Material weights may vary by ± 10%

- All dimensions are given as in mm
- PG= Pre-Galvanized
- HDG= Hot Dip Galvanized

E-LINEA-A

▶▶ TRAY SUPPORTS

Hot Dip Galvanized (TS EN ISO 1461)



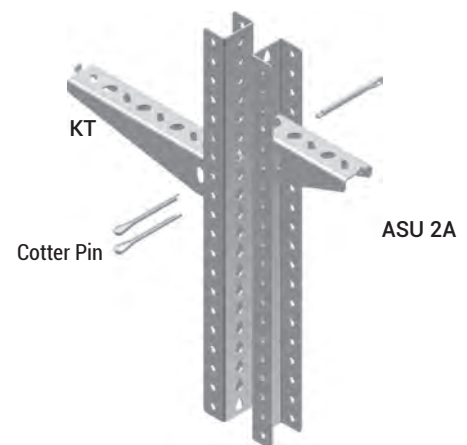
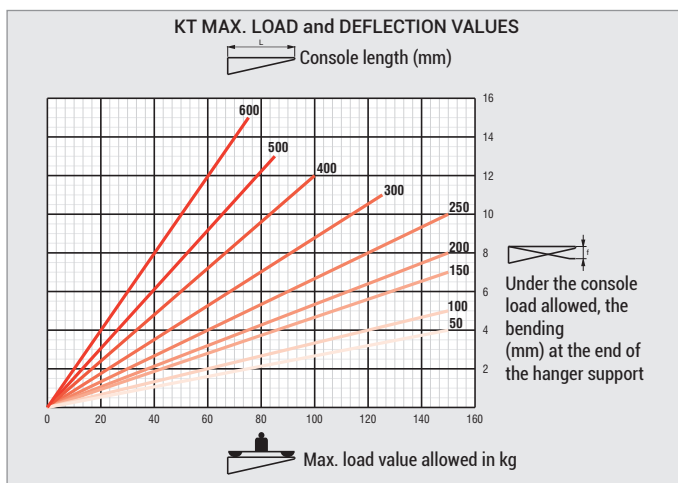
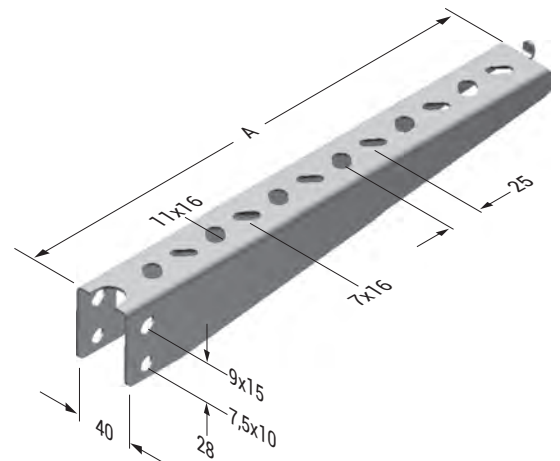
Description	T (mm)	L (mm)	Weight (kg/pcs)	HDG Code
40x40x4	4	1000	3,362	3086602
40x40x4	4	2000	6,723	3086603
40x40x4	4	3000	10,085	3086604
50x50x4	4	1000	4,398	3086608
50x50x4	4	2000	8,796	3086609
50x50x4	4	3000	13,193	3086610

U-PROFILE SAFE CARRIAGE CAPACITIES			
LOADING DIRECTION	L (mm)	Max. Load Allowed q (kg)	
		40x40x4mm	50x50x4mm
	500	400	600
	750	330	510
	1000	270	430
	1250	210	375
	1500	170	320
	1750	140	265
	2000	120	210
	2250	100	185
	2500	85	160
	2750	70	140
	3000	60	120



▶▶ KT Tray Supports Pre-Galvanized (TS EN 10346 - TS EN 10143), Hot Dip Galvanized (TS EN ISO 1461)

Description	A (mm)	T (mm)	Pack (pcs)	Weight (kg/pcs)	PG Code	Weight (kg/pcs)	HDG Code
KT 050	90	1,5	40	0,115	3008572	0,126	3008573
KT 100	140	1,5	20	0,170	3008570	0,187	3008571
KT 150	190	1,5	20	0,224	3008568	0,246	3008569
KT 200	240	1,5	20	0,281	3008566	0,309	3008567
KT 250	290	1,5	20	0,337	3008564	0,370	3008565
KT 300	340	1,5	10	0,428	3008562	0,470	3008563
KT 400	440	2	10	0,682	3008560	0,750	3008561
KT 500	540	2	10	0,840	3008558	0,924	3008559
KT 600	640	2	10	0,997	3008263	1,097	3008264



- Please indicate order code in your orders.
- Please contact us for special dimensions.
- Material weights may vary by $\pm 10\%$

■ During the KT installation, for the A size, it is advised to use a single joint pin up to 90-140-190-240, and a double joint pin from the size 290 up to 640.

- All dimensions are given as in mm
- PG= Pre-Galvanized
- HDG= Hot Dip Galvanized

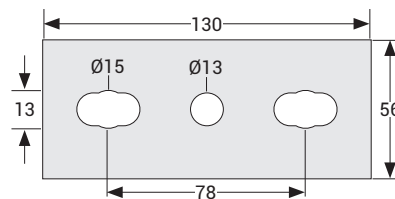
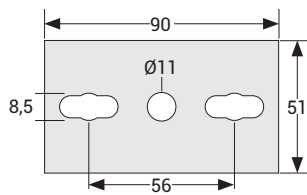
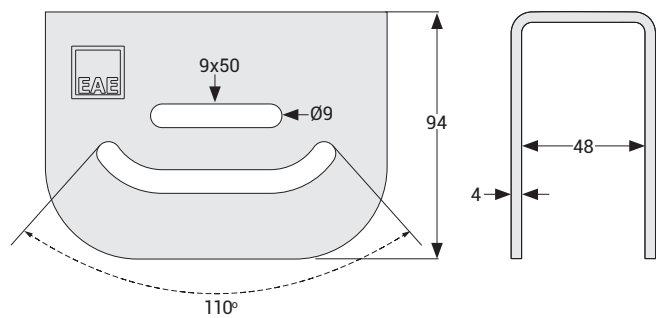
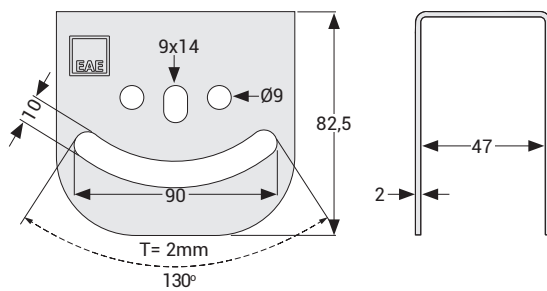
Description	T (mm)	Pack (pcs)	Weight (kg/pcs)	PG Code
TMP 6 Ceiling Support Unit	2	10	0,269	3008379

Description	T (mm)	Pack (pcs)	Weight (kg/pcs)	HDG Code
TMP 6 Ceiling Support Unit	2	10	0,296	3008380
TMP 6 Ceiling Support Unit	4	10	0,884	3006349

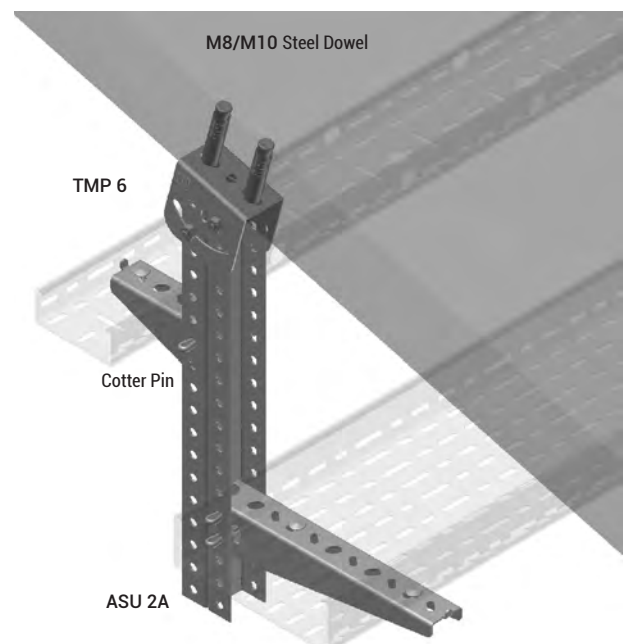
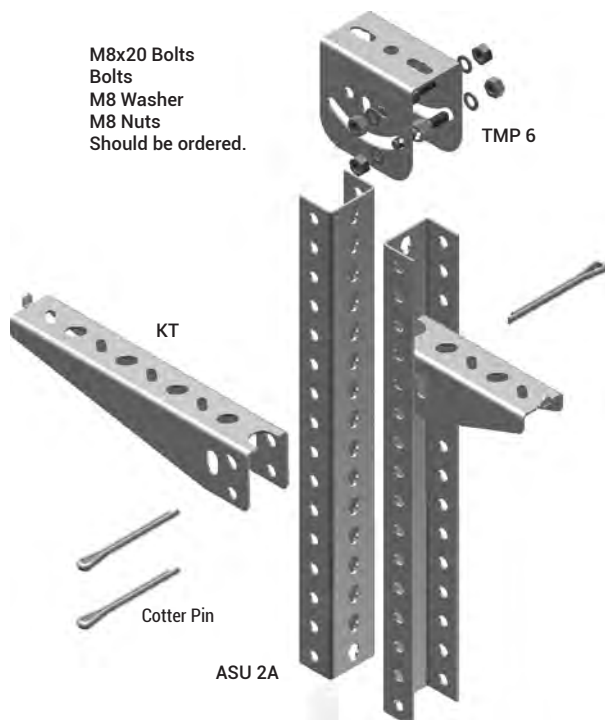
TMP 6 (2mm)



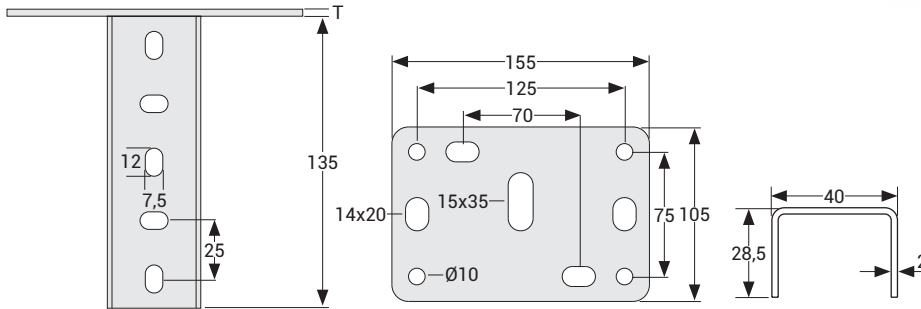
TMP 6 (4mm)



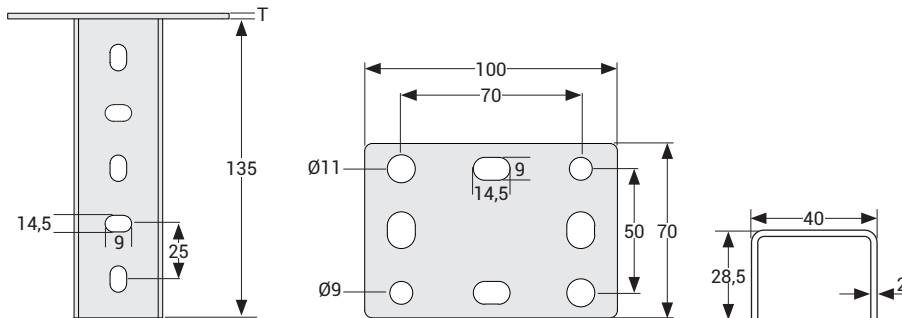
M8x20 Bolts
Bolts
M8 Washer
M8 Nuts
Should be ordered.



Description	T (mm)	Tensile Load (kg)	Weight (kg/pcs)	HDG Code
TMP 8 Ceiling Mounting Fittings	4	500	0,688	3008382

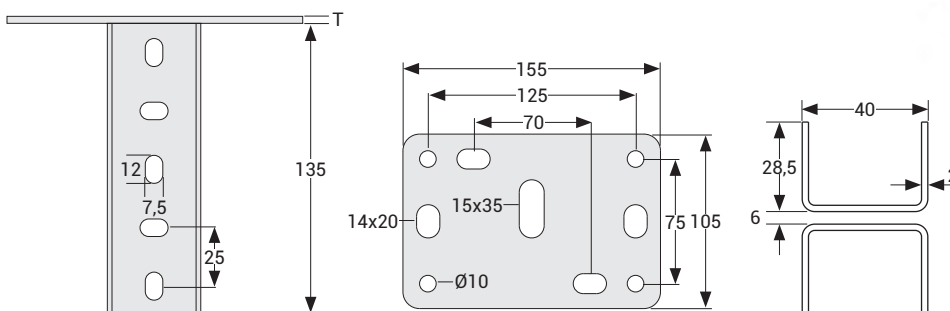


Description	T (mm)	Tensile Load (kg)	Weight (kg/pcs)	HDG Code
TMPY 8 Ceiling Support Unit	2,5	500	0,321	3164763



• Max. It is recommended to use with ASU Profiles up to 1 meter.

Description	T (mm)	Tensile Load (kg)	Weight (kg/pcs)	HDG Code
TMP 9 Ceiling Support Unit	4	500	0,877	3008383



■ Please contact your representative for inquiries regarding stainless steel alternatives.

■ Please indicate order code in your orders.

■ Please contact us for special dimensions.

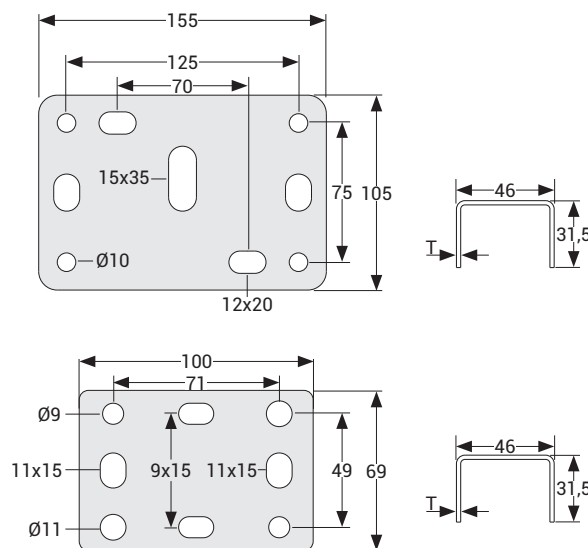
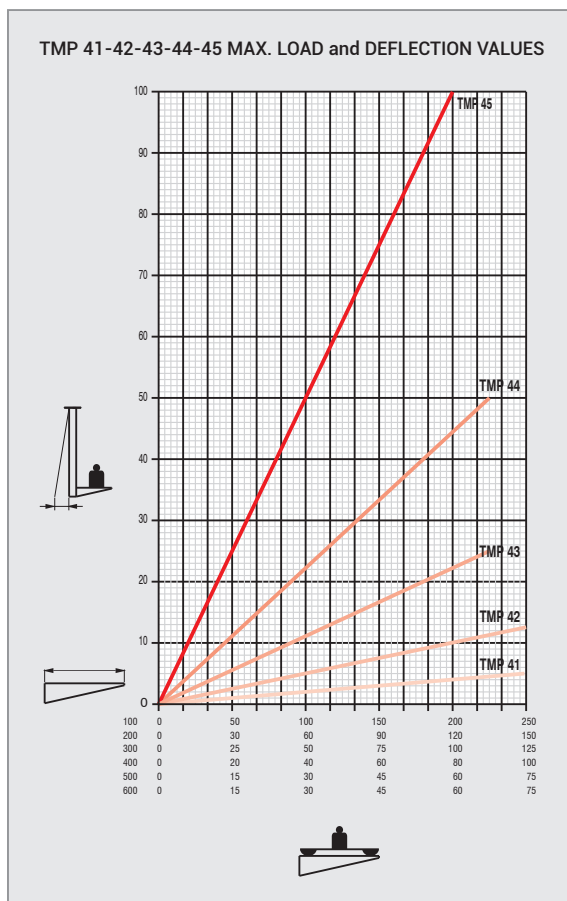
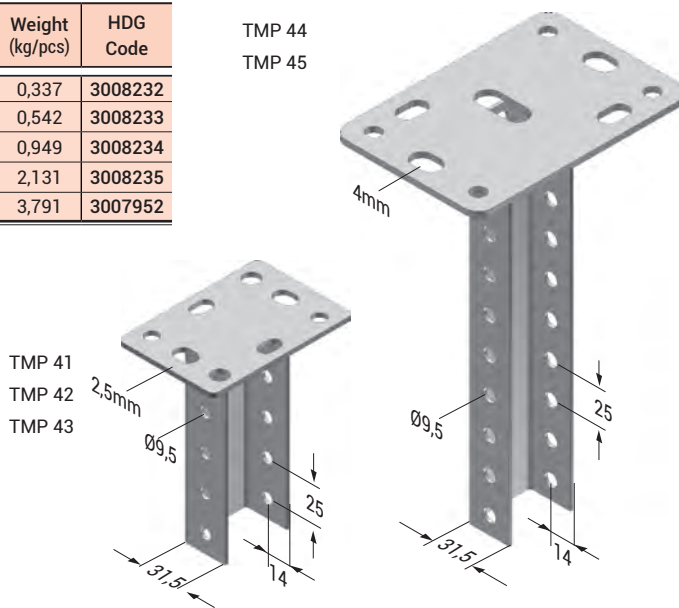
■ Material weights may vary by ± 10%

■ All dimensions are given as in mm

■ PG= Pre-Galvanized

■ HDG= Hot Dip Galvanized

Description	T (mm)	L (mm)	Tensile Load (kg)	Pack (pcs)	Weight (kg/pcs)	HDG Code
TMP41 Ceiling Support Unit	2	125	500	20	0,337	3008232
TMP42 Ceiling Support Unit	2	250	500	20	0,542	3008233
TMP43 Ceiling Support Unit	2	500	500	10	0,949	3008234
TMP44 Ceiling Support Unit	2	1000	500	-	2,131	3008235
TMP45 Ceiling Support Unit	2	2000	500	-	3,791	3007952



	Max. load value allowed in kg
	Console length (mm)
	Hanger support distances as indicated in our product Standard
	Under the console load allowed, the bending (mm) at the end of the hanger support

Load values in tables have been defined on the basis of the TS EN 61537 standard.

■ Please contact your representative for inquiries regarding stainless steel alternatives.

■ Please indicate order code in your orders.

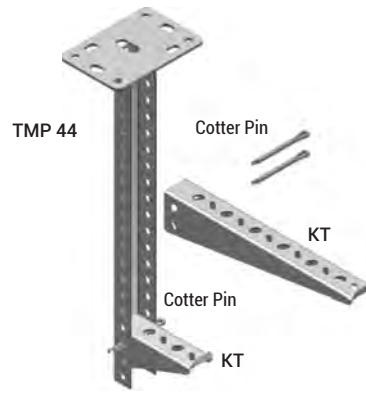
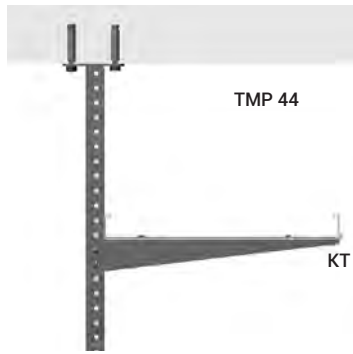
■ Please contact us for special dimensions.

■ Material weights may vary by ± 10%

■ All dimensions are given as in mm

■ PG= Pre-Galvanized

■ HDG= Hot Dip Galvanized

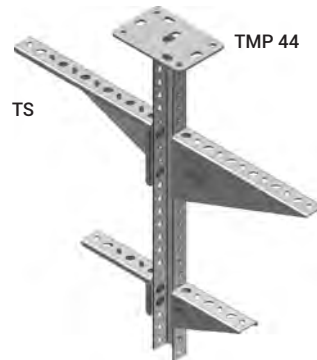
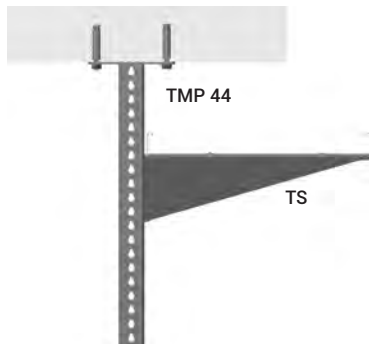


Single-Sided 1 Row		VERTICAL HANGER: TMP 41 / TMP 45 Series			P (kg) MAXIMUM LOAD ALLOWED IN SINGLE-SIDED LOADING CONDITION					
		Type	L (mm)	Fz max. (kg)	A (Console Length)					
					100	200	300	400	500	600
		TMP 41	125	500	240	220	200	180	160	140
		TMP 42	250		240	220	200	180	160	140
		TMP 43	500		240	220	200	180	160	140
		TMP 44	1000		220	200	180	150	120	100
		TMP 45	2000		140	120	100	80	70	60

Double-Sided 1 Row		VERTICAL HANGER: TMP 41 / TMP 45 Series			P (kg) MAXIMUM LOAD ALLOWED IN DOUBLE-SIDED LOADING CONDITION					
		Type	L (mm)	Fz max. (kg)	A (Console Length)					
					100	200	300	400	500	600
		TMP 41	125	500	250	250	250	250	250	250
		TMP 42	250		250	250	250	250	250	250
		TMP 43	500		250	250	250	250	250	250
		TMP 44	1000		250	250	250	250	250	250
		TMP 45	2000		250	250	250	250	250	250

Single-Sided 2 Row		VERTICAL HANGER: TMP 41 / TMP 45 Series			P (kg) MAXIMUM LOAD ALLOWED IN SINGLE-SIDED LOADING CONDITION					
		Type	L (mm)	Fz max. (kg)	A (Console Length)					
					100	200	300	400	500	600
		TMP 41	125	500	120	110	100	90	80	70
		TMP 42	250		120	110	100	90	80	70
		TMP 43	500		120	110	100	90	80	70
		TMP 44	1000		110	100	90	75	60	50
		TMP 45	2000		70	60	50	40	35	30

Double-Sided 2 Row		VERTICAL HANGER: TMP 41 / TMP 45 Series			P (kg) MAXIMUM LOAD ALLOWED IN DOUBLE-SIDED LOADING CONDITION					
		Type	L (mm)	Fz max. (kg)	A (Console Length)					
					100	200	300	400	500	600
		TMP 41	125	500	125	125	125	125	125	125
		TMP 42	250		125	125	125	125	125	125
		TMP 43	500		125	125	125	125	125	125
		TMP 44	1000		125	125	125	125	125	125
		TMP 45	2000		125	125	125	125	125	125



During the KT installation, for the A size, it is advised to use a single joint pin up to 90-140-190-240 and a double joint pin from the size 290 up to 640.

Single-Sided 1 Row		VERTICAL HANGER: TMP 41 / TMP 45 Series			P (kg) MAXIMUM LOAD ALLOWED IN SINGLE-SIDED LOADING CONDITION					
		Type	L (mm)	Fz max. (kg)	A (Console Length)					
					100-250	300	400	500	600	
		TMP 41	125	500	90	100	80	70	60	
		TMP 42	250		90	100	80	70	60	
		TMP 43	500		90	100	80	70	60	
		TMP 44	1000		90	100	80	70	60	
		TMP 45	2000		90	100	80	70	60	

Double-Sided 1 Row		VERTICAL HANGER: TMP 41 / TMP 45 Series			P (kg) MAXIMUM LOAD ALLOWED IN DOUBLE-SIDED LOADING CONDITION					
		Type	L (mm)	Fz max. (kg)	A (Console Length)					
					100-250	300	400	500	600	
		TMP 41	125	500	90	100	80	70	60	
		TMP 42	250		90	100	80	70	60	
		TMP 43	500		90	100	80	70	60	
		TMP 44	1000		90	100	80	70	60	
		TMP 45	2000		90	100	80	70	60	

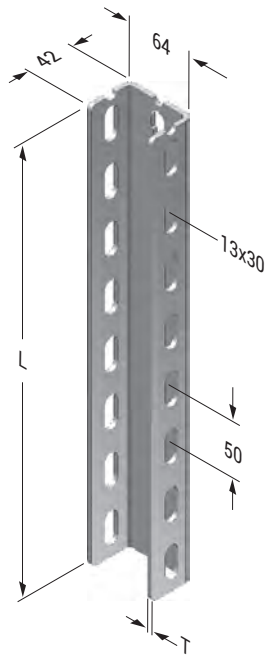
Single-Sided 2 Row		VERTICAL HANGER: TMP 41 / TMP 45 Series			P (kg) MAXIMUM LOAD ALLOWED IN SINGLE-SIDED LOADING CONDITION					
		Type	L (mm)	Fz max. (kg)	A (Console Length)					
					100-250	300	400	500	600	
		TMP 41	125	500	90	100	70	70	60	
		TMP 42	250		90	100	70	70	60	
		TMP 43	500		90	100	70	70	60	
		TMP 44	1000		90	90	70	60	50	
		TMP 45	2000		80	60	50	40	30	

Double-Sided 2 Row		VERTICAL HANGER: TMP 41 / TMP 45 Series			P (kg) MAXIMUM LOAD ALLOWED IN DOUBLE-SIDED LOADING CONDITION					
		Type	L (mm)	Fz max. (kg)	A (Console Length)					
					100-250	300	400	500	600	
		TMP 41	125	500	90	100	80	70	60	
		TMP 42	250		90	100	80	70	60	
		TMP 43	500		90	100	80	70	60	
		TMP 44	1000		90	100	80	70	60	
		TMP 45	2000		90	100	80	70	60	

- Please indicate order code in your orders.
- Please contact us for special dimensions.
- Material weights may vary by ± 10%

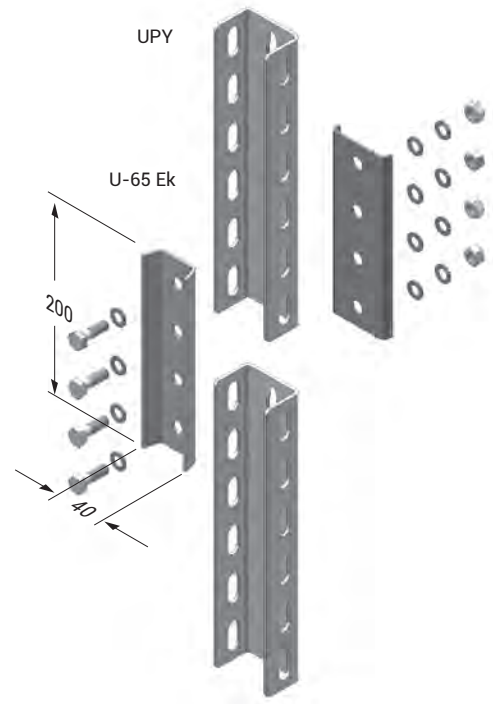
- All dimensions are given as in mm
- PG= Pre-Galvanized
- HDG= Hot Dip Galvanized

Description	T (mm)	L (mm)	Weight (kg/pcs)	HDG Code
UPY 150	3	150	0,451	3004419
UPY 300	3	300	0,902	3004420
UPY 400	3	400	1,203	3004422
UPY 500	3	500	1,507	3004424
UPY 600	3	600	1,804	3004426
UPY 700	3	700	2,112	3004428
UPY 800	3	800	2,398	3004429
UPY 900	3	900	2,695	3004430
UPY 1000	3	1000	3,037	3004431
UPY 1100	3	1100	3,307	3004432
UPY 1200	3	1200	3,608	3004433
UPY 1300	3	1300	3,905	3004434
UPY 1400	3	1400	4,202	3004435
UPY 1500	3	1500	4,555	3004436
UPY 1600	3	1600	4,818	3004437
UPY 1700	3	1700	5,115	3004438
UPY 1800	3	1800	5,412	3004439
UPY 1900	3	1900	5,712	3004440
UPY 2000	3	2000	6,012	3004441
UPY 3000	3	3000	9,020	3001953
UPY 150	4	150	0,586	3004486
UPY 300	4	300	1,172	3004487
UPY 400	4	400	1,562	3004489
UPY 500	4	500	1,956	3004491
UPY 600	4	600	2,343	3004493
UPY 700	4	700	2,728	3004495
UPY 800	4	800	3,124	3004496
UPY 900	4	900	3,515	3004497
UPY 1000	4	1000	3,945	3004498
UPY 1100	4	1100	4,296	3004499
UPY 1200	4	1200	4,686	3004500
UPY 1300	4	1300	5,071	3004501
UPY 1400	4	1400	5,467	3004502
UPY 1500	4	1500	5,917	3004503
UPY 1600	4	1600	6,248	3004504
UPY 1700	4	1700	6,633	3004505
UPY 1800	4	1800	7,029	3004506
UPY 1900	4	1900	7,414	3004507
UPY 2000	4	2000	7,811	3004508
UPY 3000	4	3000	11,716	3001954



Following items shall be ordered for the installation of the UPY Console attachment:

- I-80 I Profile attachment, 1 piece
- I-65 U Profile fitting, 1 piece
- M10x30 Bolts, 4 pieces
- M10 Nuts, 4 pieces
- M10 Washers, 8 pieces
- M10 Spring washers, 4 pieces.

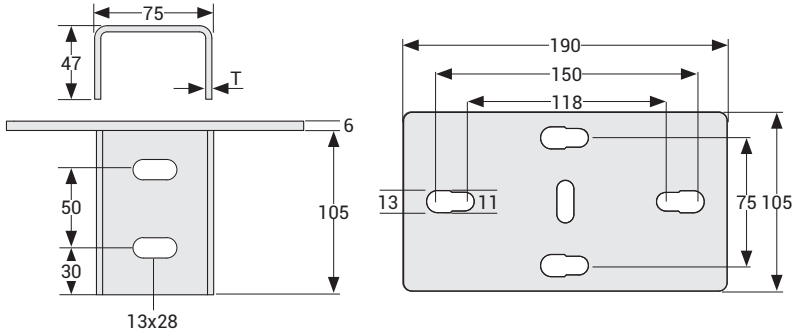


UPY-PROFILE SAFE CARRIAGE CAPACITIES			
LOADING DIRECTION	L (mm)	Max. Load Allowed q (kg)	
		UPY - 3mm	UPY - 4mm
	500	700	800
	750	590	700
	1000	480	600
	1250	400	500
	1500	320	400
	1750	280	340
	2000	240	300
	2250	210	260
	2500	185	225
	2750	170	210
	3000	160	200

- Please contact your representative for inquiries regarding stainless steel alternatives.
- Please indicate order code in your orders.
- Please contact us for special dimensions.
- Material weights may vary by ± 10%

- All dimensions are given as in mm
- PG= Pre-Galvanized
- HDG= Hot Dip Galvanized

Description	T (mm)	Tensile Load (kg)	Pack (pcs)	Weight (kg/pcs)	HDG Code
TMP 2	4	900	10	1,454	3086553

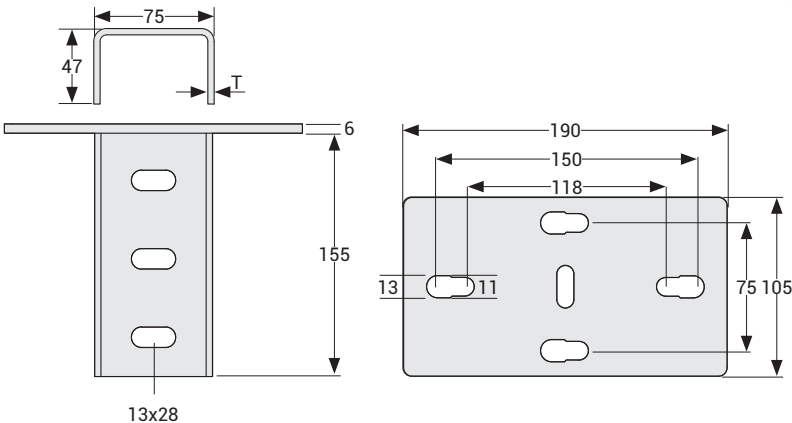


TMP 2 Fixing Element Mounting;
 4 pcs M10x30 Bolt
 8 pcs M10 Washer
 4 pcs M10 Spring Washers
 4 pcs M10 Nuts should be used.

■ This product is suitable for use with the UPY profile.

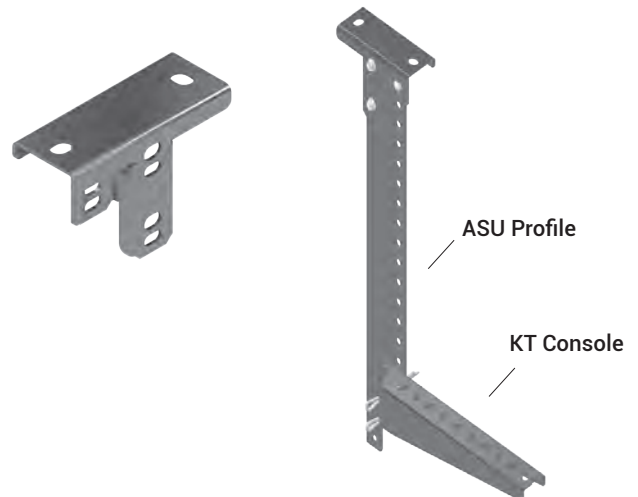
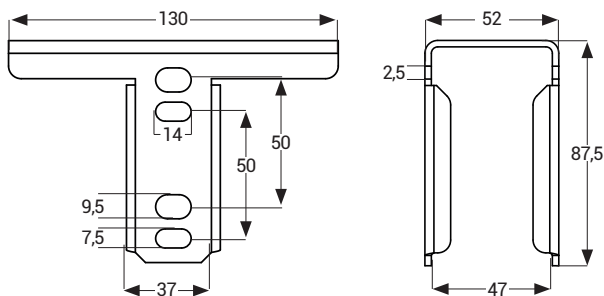
Description	T (mm)	Tensile Load (kg)	Pack (pcs)	Weight (kg/pcs)	HDG Code
TMP 3	4	900	10	1,689	3086554

TMP 3 Fixing Element Mounting;
 6 pcs M10x30 Bolts
 12 pcs M10 Washers
 6 pcs M10 Spring Washers
 6 pcs M10 Nuts should be used.



■ This product is suitable for use with the UPY profile.

Description	T (mm)	Tensile Load (kg)	PG Code
TMP 11 Ceiling/Floor Fixing Single	2,5	0,298	3333454



- Please contact your representative for inquiries regarding stainless steel alternatives.
- Please indicate order code in your orders.
- Please contact us for special dimensions.
- Material weights may vary by $\pm 10\%$

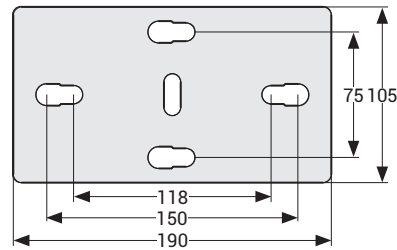
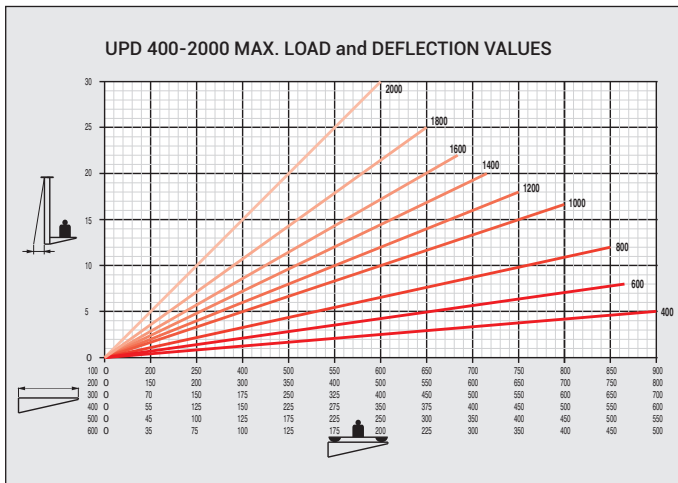
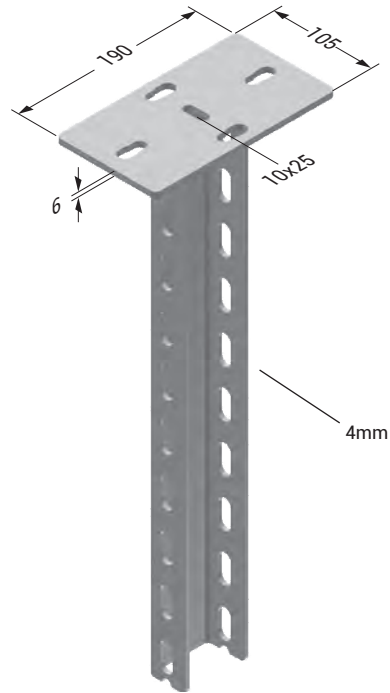
- All dimensions are given as in mm
- PG= Pre-Galvanized
- HDG= Hot Dip Galvanized

E-LINEA-A

►► U HEAVY DUTY SUPPORTS

Hot Dip Galvanized (TS EN ISO 1461)

Description	L (mm)	Tensile Load (kg)	Weight (kg/pcs)	HDG Code
UPD 300	300	900	2,101	3004510
UPD 400	400	900	2,497	3004512
UPD 500	500	900	2,882	3004514
UPD 600	600	900	3,267	3004516
UPD 700	700	900	3,674	3004518
UPD 800	800	900	4,056	3004519
UPD 900	900	900	4,451	3004520
UPD 1000	1000	900	4,837	3004521
UPD 1100	1100	900	5,226	3004522
UPD 1200	1200	900	5,610	3004523
UPD 1300	1300	900	6,006	3004524
UPD 1400	1400	900	6,391	3004525
UPD 1500	1500	900	6,787	3004526
UPD 1600	1600	900	7,172	3004527
UPD 1700	1700	900	7,570	3004528
UPD 1800	1800	900	7,960	3004529
UPD 1900	1900	900	8,349	3004530
UPD 2000	2000	900	8,741	3004531



Description	Weight (kg/pcs)	Product Code
UPY Protective Cap	0,007	1027654



- Please contact your representative for inquiries regarding stainless steel alternatives.
- Please indicate order code in your orders.
- Please contact us for special dimensions.
- Material weights may vary by ± 10%

- All dimensions are given as in mm
- PG= Pre-Galvanized
- HDG= Hot Dip Galvanized

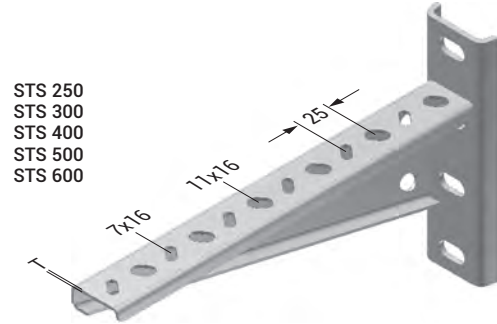
E-LINEA-A

►► STS TRAY SUPPORTS

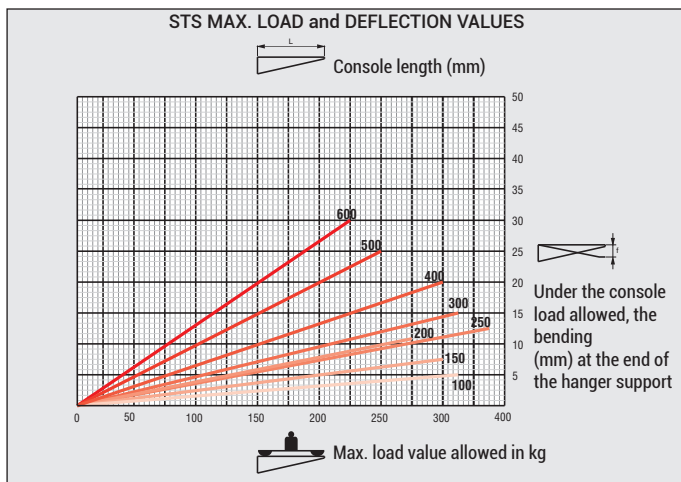
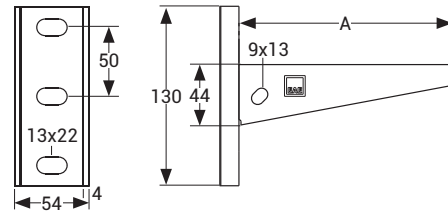
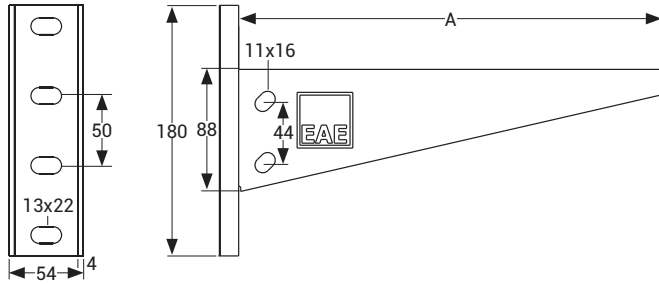
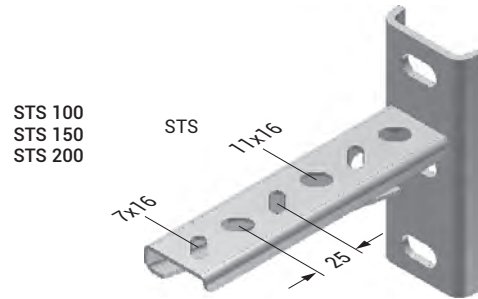
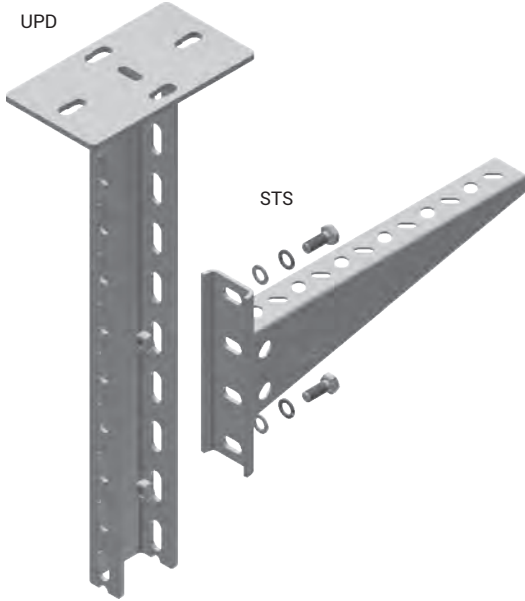
Hot Dip Galvanized (TS EN ISO 1461)



Description	A (mm)	T (mm)	Pack (set)	Weight (kg/pcs)	HDG Code
STS 100	120	2	10	0,398	3008015
STS 150	170	2	10	0,474	3008016
STS 200	220	2	10	0,539	3008017
STS 250	270	2	10	0,814	3008018
STS 300	320	2	10	0,920	3008019
STS 400	420	2	10	1,026	3008020
STS 500	520	2	10	1,262	3008021
STS 600	620	2	10	1,425	3008022



UPD



- Please indicate order code in your orders.
- Please contact us for special dimensions.
- Material weights may vary by $\pm 10\%$

- All dimensions are given as in mm
- PG= Pre-Galvanized
- HDG= Hot Dip Galvanized

E-LINEA-A

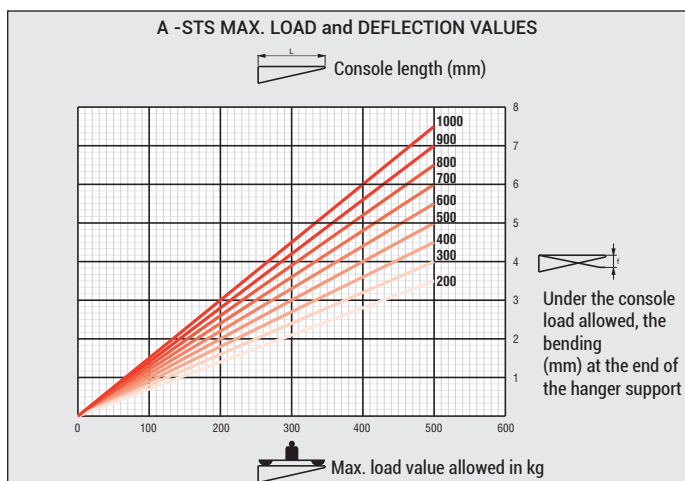
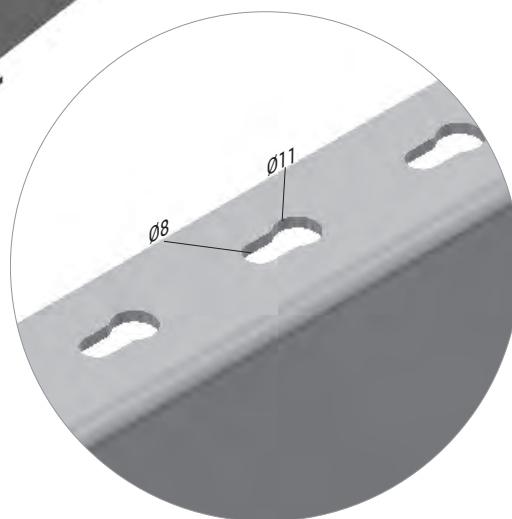
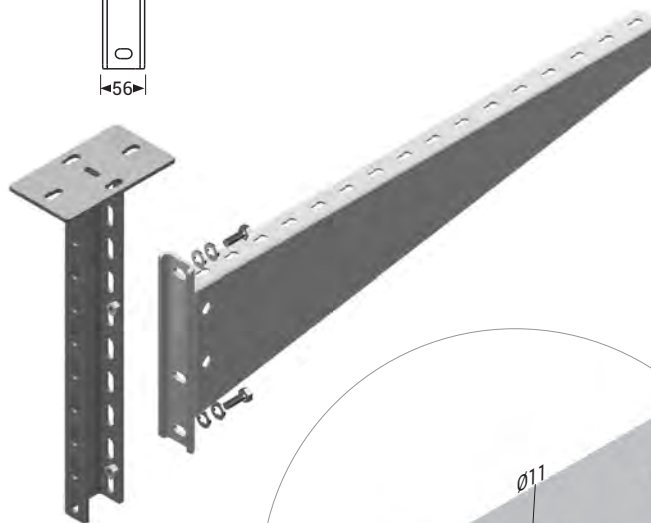
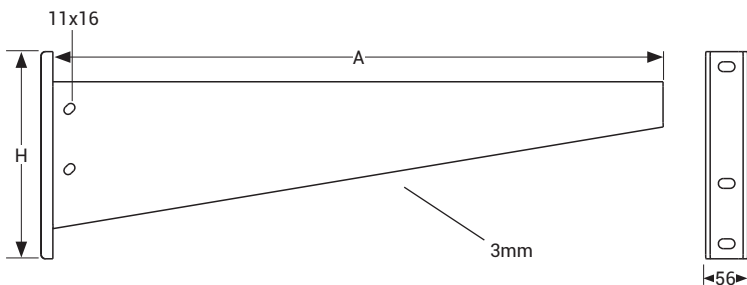
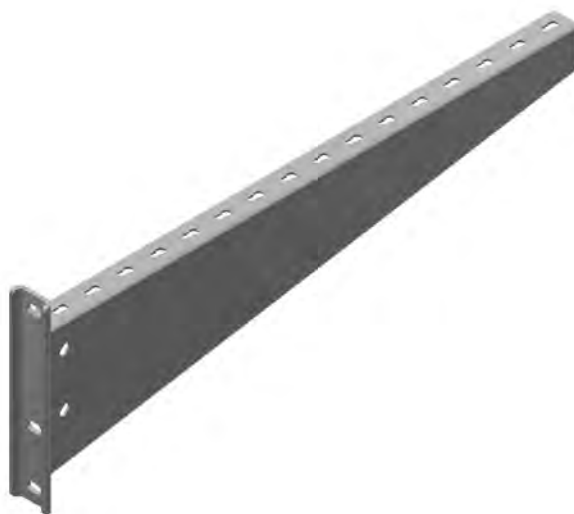
►►A-STTS TRAY SUPPORTS

Hot Dip Galvanized (TS EN ISO 1461)



A-A

Description	A (mm)	H (mm)	T (mm)	Weight (kg/pcs)	HDG Code
A-STTS 200	230	190	3	1,418	3108835
A-STTS 300	330	190	3	1,859	3108836
A-STTS 400	430	240	3	2,522	3108837
A-STTS 500	530	240	3	3,032	3108838
A-STTS 600	630	240	3	3,622	3108839
A-STTS 700	730	290	3	4,623	3108840
A-STTS 800	830	290	3	5,125	3108841
A-STTS 900	930	290	3	5,628	3108842
A-STTS 1000	1030	290	3	6,129	3108843



- Please contact your representative for inquiries regarding stainless steel alternatives.
- Please indicate order code in your orders.
- Please contact us for special dimensions.
- Material weights may vary by $\pm 10\%$

- All dimensions are given as in mm
- PG= Pre-Galvanized
- HDG= Hot Dip Galvanized

UPD HANGER CARRIAGE VALUES

Single-Sided 1 Row	UPD VERTICAL HANGER			P (kg) MAXIMUM LOAD ALLOWED IN SINGLE-SIDED LOADING CONDITION					
	Type	L (mm)	Fz max. (kg)	A (Console Length)					
				100	200	300	400	500	600
	UPD 500	500	900	900	800	700	600	550	500
UPD 1000	1000	800		700	600	500	450	400	
UPD 1500	1500	700		600	500	400	350	300	
UPD 2000	2000	600		500	400	350	250	200	

Double-Sided 1 Row	UPD VERTICAL HANGER			P (kg) MAXIMUM LOAD ALLOWED IN SINGLE-SIDED LOADING CONDITION					
	Type	L (mm)	Fz max. (kg)	A (Console Length)					
				100	200	300	400	500	600
	UPD 500	500	900	450	450	450	450	450	450
UPD 1000	1000	450		450	450	450	450	450	
UPD 1500	1500	450		450	450	450	450	450	
UPD 2000	2000	450		450	450	450	450	450	

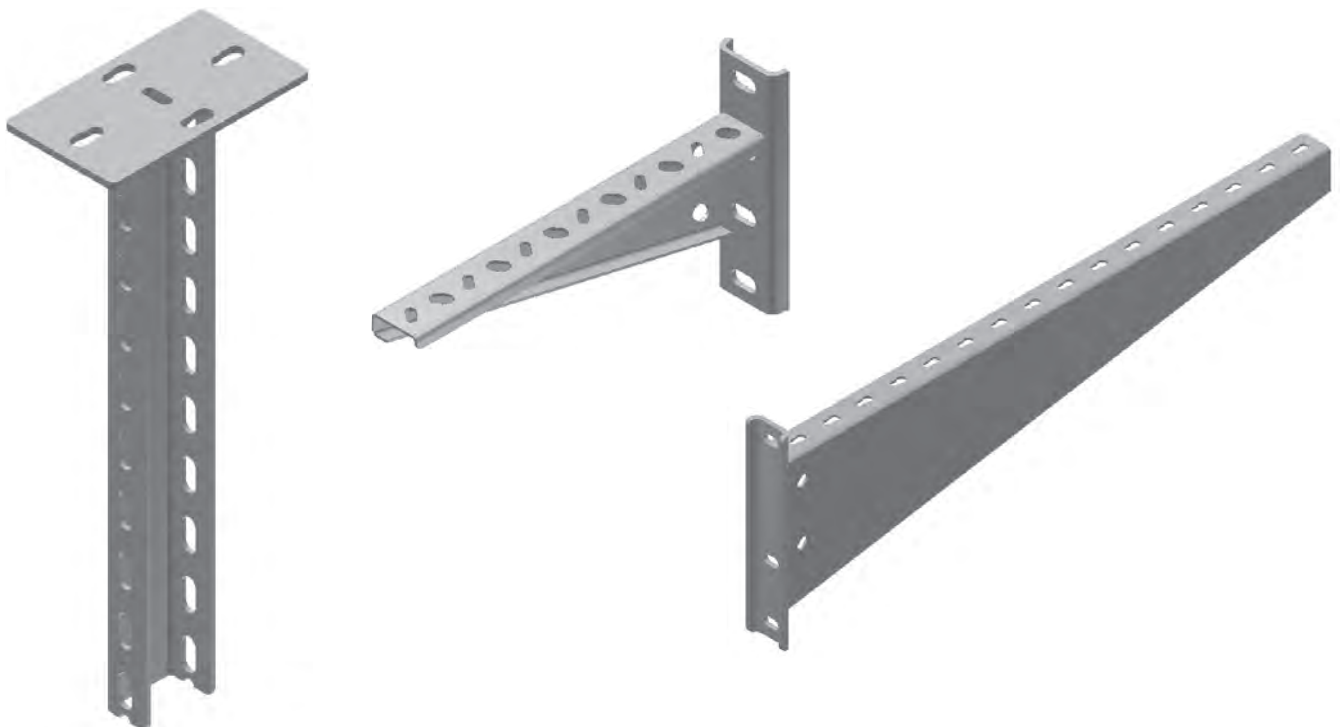
Single-Sided 2 Row	UPD VERTICAL HANGER			P (kg) MAXIMUM LOAD ALLOWED IN SINGLE-SIDED LOADING CONDITION					
	Type	L (mm)	Fz max. (kg)	A (Console Length)					
				100	200	300	400	500	600
	UPD 500	500	900	450	400	350	300	275	250
UPD 1000	1000	400		350	300	250	225	200	
UPD 1500	1500	350		300	250	200	175	150	
UPD 2000	2000	300		250	200	175	125	100	

Double-Sided 2 Row	UPD VERTICAL HANGER			P (kg) MAXIMUM LOAD ALLOWED IN SINGLE-SIDED LOADING CONDITION					
	Type	L (mm)	Fz max. (kg)	A (Console Length)					
				100	200	300	400	500	600
	UPD 500	500	900	225	225	225	225	225	225
UPD 1000	1000	225		225	225	225	225	225	
UPD 1500	1500	225		225	225	225	225	225	
UPD 2000	2000	225		225	225	225	225	225	

Single-Sided 3 Row	UPD VERTICAL HANGER			P (kg) MAXIMUM LOAD ALLOWED IN SINGLE-SIDED LOADING CONDITION					
	Type	L (mm)	Fz max. (kg)	A (Console Length)					
				100	200	300	400	500	600
	UPD 500	500	900	300	265	230	200	180	165
UPD 1000	1000	265		230	200	165	150	130	
UPD 1500	1500	230		200	165	130	115	100	
UPD 2000	2000	200		165	130	115	80	65	

Double-Sided 3 Row	UPD VERTICAL HANGER			P (kg) MAXIMUM LOAD ALLOWED IN SINGLE-SIDED LOADING CONDITION					
	Type	L (mm)	Fz max. (kg)	A (Console Length)					
				100	200	300	400	500	600
	UPD 500	500	900	150	150	150	150	150	150
UPD 1000	1000	150		150	150	150	150	150	
UPD 1500	1500	150		150	150	150	150	150	
UPD 2000	2000	150		150	150	150	150	150	

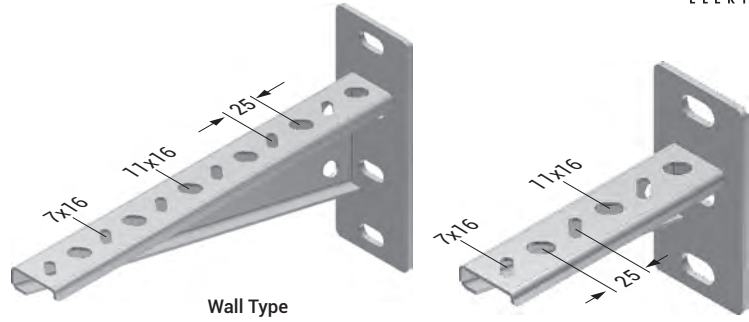
* Table load values are specified on the basis of TS EN 61537 standard.
 * Consoles that are compatible with UPD hangers are STS and A-ST5 type consoles.
 For carriage values of consoles, refer to section A-A, page 40 and page 41 respectively.



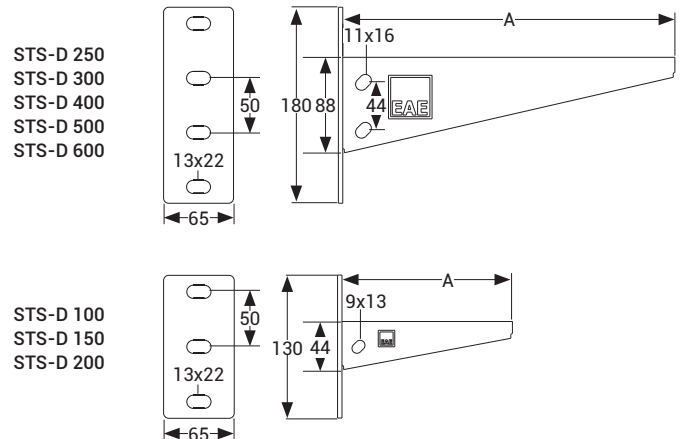
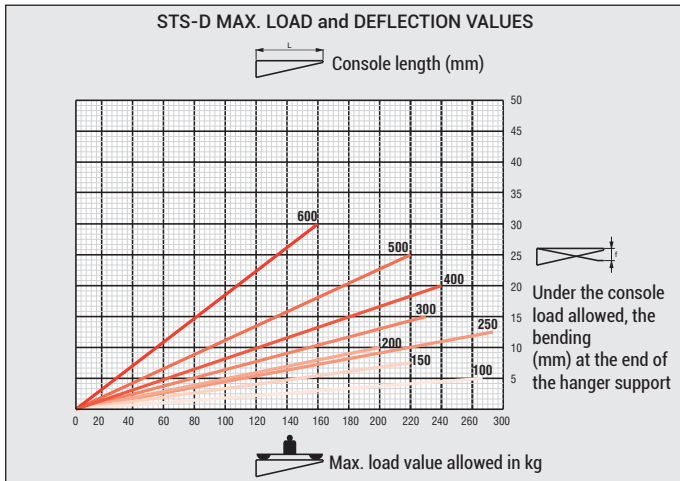
- Please indicate order code in your orders.
- Please contact us for special dimensions.
- Material weights may vary by $\pm 10\%$

- All dimensions are given as in mm
- PG= Pre-Galvanized
- HDG= Hot Dip Galvanized

Description	A (mm)	T (mm)	Pack (set)	Weight (kg/pcs)	HDG Code
STS-D 100	120	2	10	0,429	3007933
STS-D 150	170	2	10	0,466	3007932
STS-D 200	220	2	10	0,530	3007931
STS-D 250	270	2	10	0,811	3007930
STS-D 300	320	2	10	0,917	3007929
STS-D 400	420	2	10	1,089	3007928
STS-D 500	520	2	10	1,266	3007927
STS-D 600	620	2	10	1,419	3007926

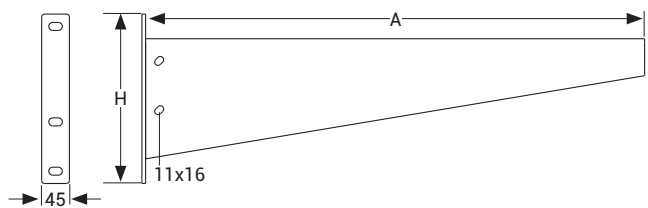
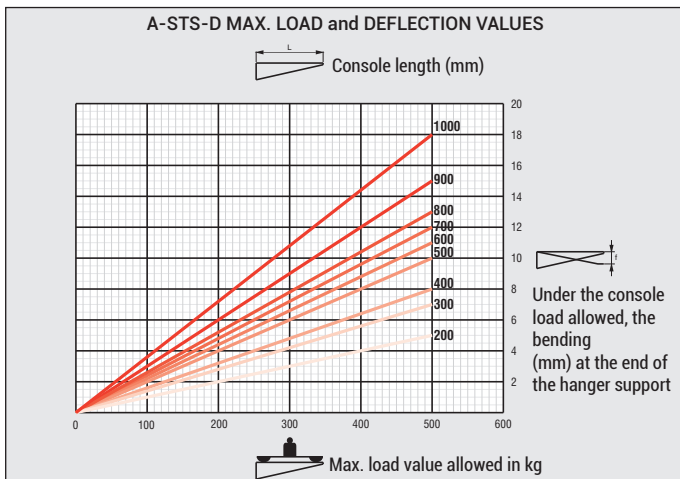
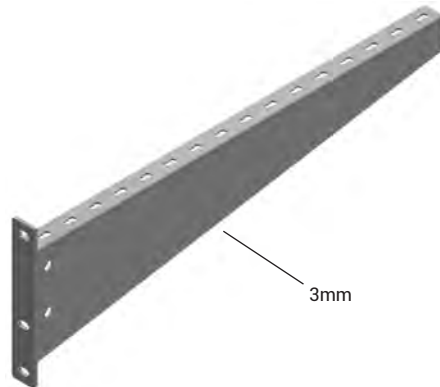


Wall Type



►► A-STIS-D Tray Supports Hot Dip Galvanized (TS EN ISO 1461)

Description	A (mm)	H (mm)	T (mm)	Weight (kg/pcs)	HDG Code
A-STIS-D 200	230	190	3	1,214	3109007
A-STIS-D 300	330	190	3	1,657	3109008
A-STIS-D 400	430	240	3	2,266	3109009
A-STIS-D 500	530	240	3	2,949	3109010
A-STIS-D 600	630	240	3	3,540	3109011
A-STIS-D 700	730	290	3	4,527	3109012
A-STIS-D 800	830	290	3	5,028	3109013
A-STIS-D 900	930	290	3	5,530	3109014
A-STIS-D 1000	1030	290	3	6,031	3109015



- Please indicate order code in your orders.
- Please contact us for special dimensions.
- Material weights may vary by ± 10%

- All dimensions are given as in mm
- PG= Pre-Galvanized
- HDG= Hot Dip Galvanized

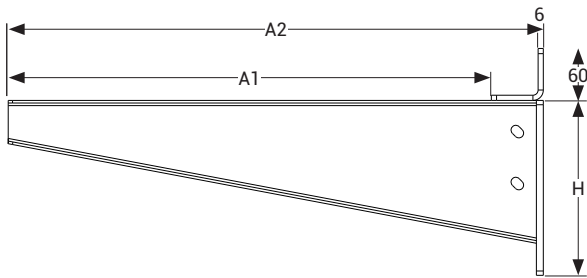
E-LINEA-A

▶▶A-ST-S-D I HEAVY DUTY SUPPORTS

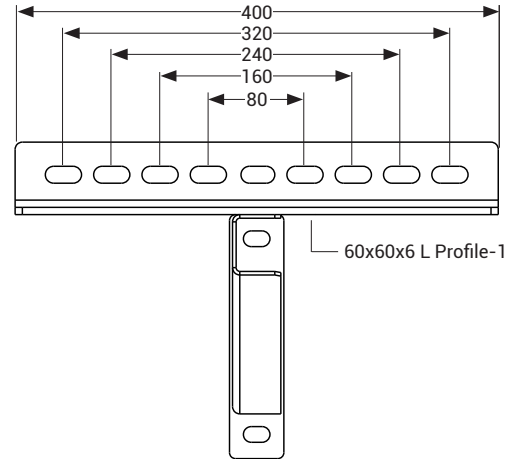
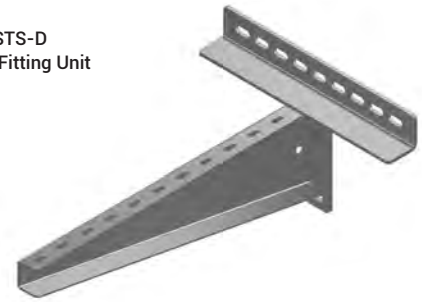
Hot Dip Galvanized (TS EN ISO 1461)



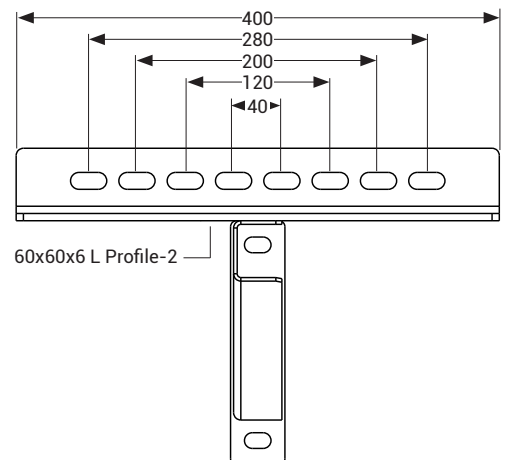
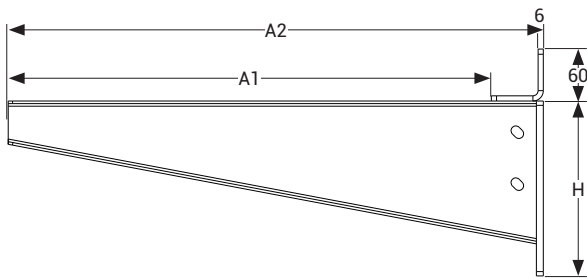
Description	A1 (mm)	A2 (mm)	H (mm)	T (mm)	Weight (kg/pcs)	HDG Code
A-ST-S-D 200 I Profile Fitting Unit (3mm) 1	156	216	200	3	3,160	3254924
A-ST-S-D 300 I Profile Fitting Unit (3mm) 1	256	316	210	3	3,620	3254925
A-ST-S-D 400 I Profile Fitting Unit (3mm) 1	356	416	245	3	4,190	3254926
A-ST-S-D 500 I Profile Fitting Unit (3mm) 1	456	516	252	3	4,850	3254927
A-ST-S-D 600 I Profile Fitting Unit (3mm) 1	558	618	262	3	5,470	3254928
A-ST-S-D 700 I Profile Fitting Unit (3mm) 1	658	718	302	3	6,420	3254929
A-ST-S-D 800 I Profile Fitting Unit (3mm) 1	758	818	302	3	6,920	3254930
A-ST-S-D 900 I Profile Fitting Unit (3mm) 1	858	918	302	3	7,420	3254931



A-ST-S-D I Profile Fitting Unit



Description	A1 (mm)	A2 (mm)	H (mm)	T (mm)	Weight (kg/pcs)	HDG Code
A-ST-S-D 200 I Profile Fitting Unit (3mm) 2	156	216	200	3	3,160	3343812
A-ST-S-D 300 I Profile Fitting Unit (3mm) 2	256	316	210	3	3,620	3343813
A-ST-S-D 400 I Profile Fitting Unit (3mm) 2	356	416	245	3	4,190	3343814
A-ST-S-D 500 I Profile Fitting Unit (3mm) 2	456	516	252	3	4,850	3343815
A-ST-S-D 600 I Profile Fitting Unit (3mm) 2	558	618	262	3	5,470	3343816
A-ST-S-D 700 I Profile Fitting Unit (3mm) 2	658	718	302	3	6,420	3343817
A-ST-S-D 800 I Profile Fitting Unit (3mm) 2	758	818	302	3	6,920	3343818
A-ST-S-D 900 I Profile Fitting Unit (3mm) 2	858	918	302	3	7,420	3343819
A-ST-S-D 1000 I Profile Fitting Unit (3mm) 2	958	1018	302	3	7,920	3343820



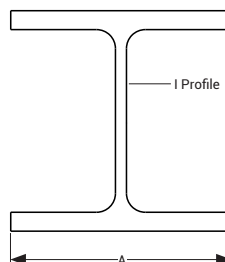
Note:

60x60x6 L PROFILE-1

A dimensions compatible with H Type and I Type Profiles; 120mm, 140mm, 200mm, 220mm, 280mm, 300mm

60x60x6 L PROFILE-2

A dimensions compatible with H Type and I Type Profiles; 100mm, 160mm, 240mm, 260mm



- Please contact us for special dimensions.
- Material weights may vary by ± 10%

- All dimensions are given as in mm
- PG= Pre-Galvanized
- HDG= Hot Dip Galvanized

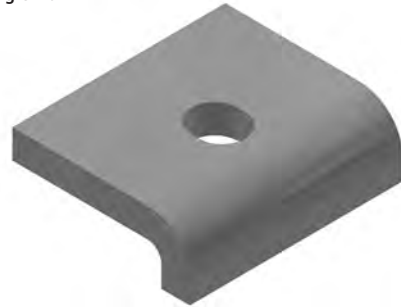
E-LINEA-A

▶▶A-ST5-D I Profile

Hot Dip Galvanized (TS EN ISO 1461)

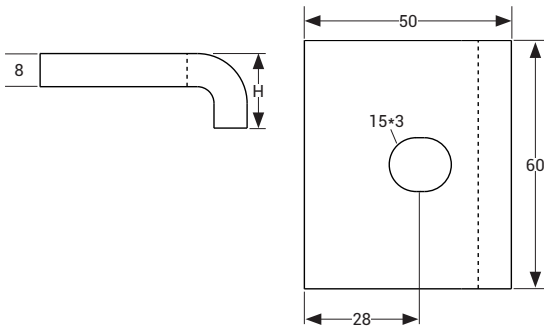
Description	H (mm)	T (mm)	Weight (kg/pcs)	HDG Code
TP CLAMPING UNIT I PROFILE H:10	10	8	0,220	3254933
TP CLAMPING UNIT I PROFILE H:15	15	0,240	3254934	
TP CLAMPING UNIT I PROFILE H:20	20	8	0,270	3254935

A-ST5-D
I Profile Fitting Unit

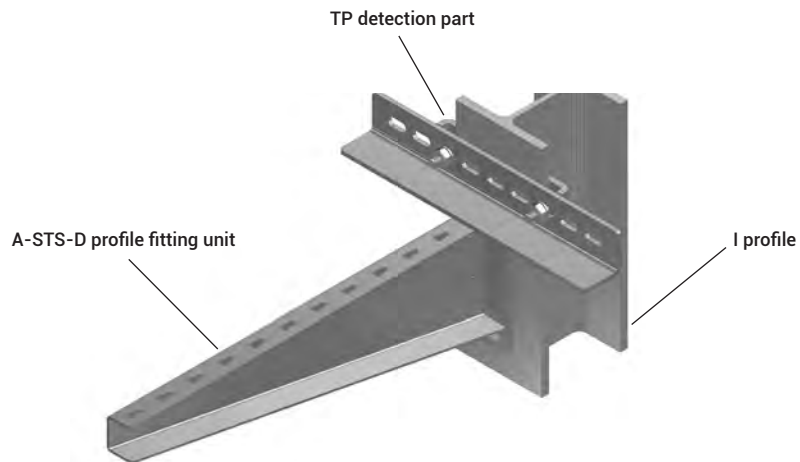


H: 10mm Clamping Thicknesses between 7mm/10mm
 H: 15mm Clamping Thicknesses between 12mm/15mm
 H: 20mm Clamping Thicknesses between 17mm/20mm
 (1 set; M12x50 / Washer / Nut)

Tightening torque: 123 Nm



Description	HDG Code
M12x50 SET	1041484



- Please indicate order code in your orders.
- Please contact us for special dimensions.
- Material weights may vary by ± 10%

- All dimensions are given as in mm
- PG= Pre-Galvanized
- HDG= Hot Dip Galvanized

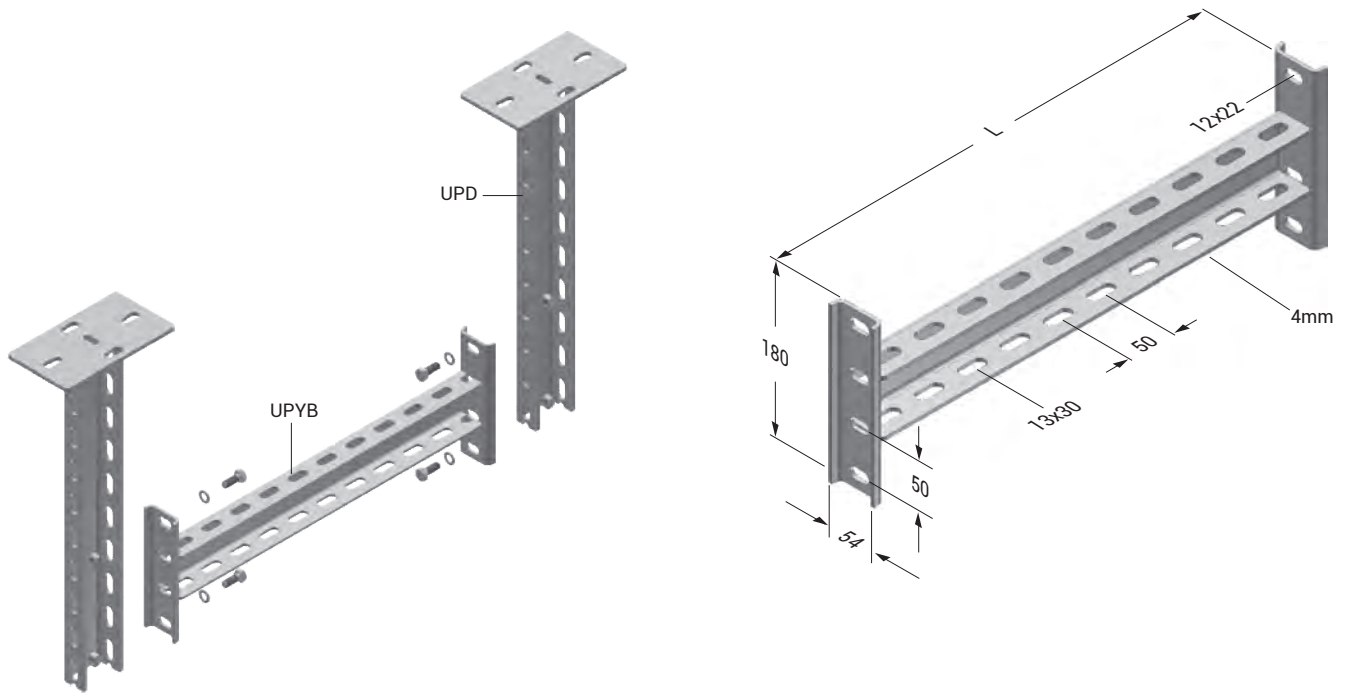
E-LINEA-A

▶▶U HEAVY DUTY SUPPORTS

Hot Dip Galvanized (TS EN ISO 1461)



Description	L (mm)	Weight (kg/pcs)	HDG Code
UPYB 300	350	2,162	3004533
UPYB 400	450	2,567	3004535
UPYB 500	550	2,969	3004537
UPYB 600	650	3,372	3004539
UPYB 700	750	3,773	3004541
UPYB 800	850	4,176	3004542
UPYB 900	950	4,579	3004543
UPYB 1000	1050	4,980	3004544

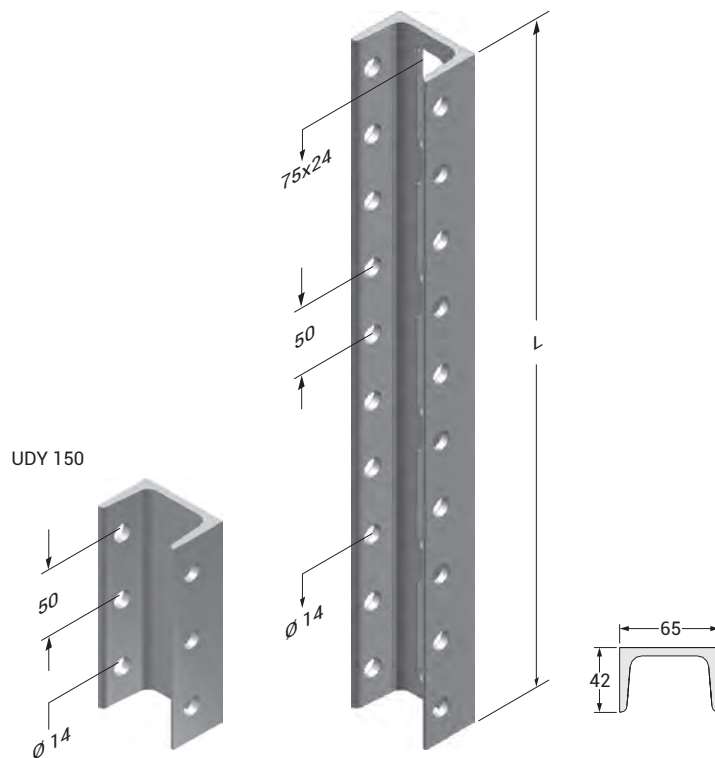


		UPD - UPYB H-TYPE HANGER SAFE LOAD VALUES				
		VERTICAL HANGER: UPD		HORIZONTAL SUPPORTS: UDYB Max. Load Allowed q (kg)		
		L (mm)	Fz max. (kg)	A 300-400-500mm	A 600-700-800mm	A 900-1000-1200mm
1 Row Application		500	900	750	650	500
		1000		750	650	500
		1500		750	650	500
		2000		750	650	500
		2500		750	650	500
		3000		750	650	500
2 Row Application		500	900	750	650	500
		1000		750	650	500
		1500		750	650	500
		2000		750	650	500
		2500		750	650	500
		3000		750	650	500
3 Row Application		500	900	600	600	500
		1000		600	600	500
		1500		600	600	500
		2000		600	600	500
		2500		600	600	500
		3000		600	600	500

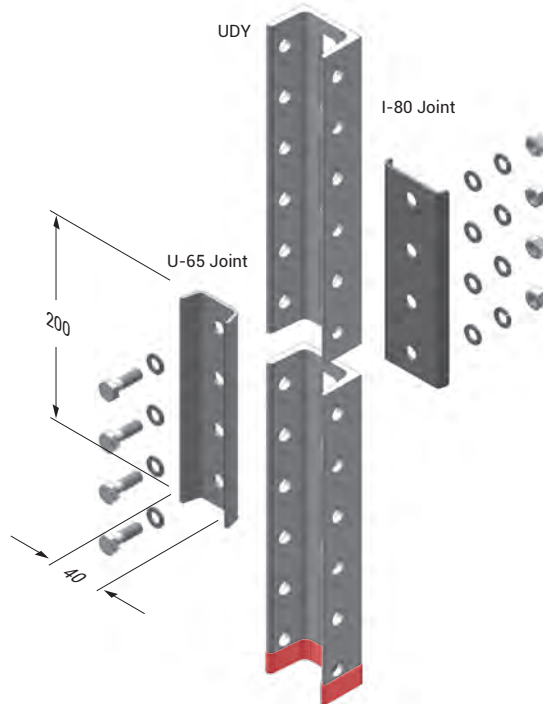
- Please indicate order code in your orders.
- Please contact us for special dimensions.
- Material weights may vary by ± 10%

- All dimensions are given as in mm
- PG= Pre-Galvanized
- HDG= Hot Dip Galvanized

Description	L (mm)	Weight (kg/pcs)	HDG Code
UDY 150	150	0,900	3008376
UDY 300	300	1,800	3008023
UDY 400	400	2,400	3008024
UDY 500	500	3,000	3008025
UDY 600	600	3,600	3008026
UDY 700	700	4,200	3008027
UDY 800	800	4,800	3008028
UDY 900	900	5,400	3008029
UDY 1000	1000	6,000	3008030
UDY 1100	1100	6,600	3008031
UDY 1200	1200	7,200	3008032
UDY 1300	1300	7,800	3008033
UDY 1400	1400	8,400	3008034
UDY 1500	1500	8,900	3008035
UDY 1600	1600	9,600	3008036
UDY 1700	1700	10,200	3008037
UDY 1800	1800	10,800	3008038
UDY 1900	1900	11,400	3008039
UDY 2000	2000	12,000	3008040



UDY-PROFILE SAFE CARRIAGE CAPACITIES		
LOADING DIRECTION	L (mm)	Max. Load Allowed q (kg)
	500	1000
	750	950
	1000	900
	1250	800
	1500	700
	1750	600
	2000	500
	2250	425
	2500	350
	2750	325
3000	300	
	500	1000
	750	950
	1000	900
	1250	800
	1500	700
	1750	600
	2000	500
	2250	425
	2500	350
	2750	325
3000	300	

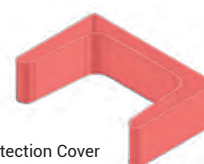


►► CEILING MOUNTING FITTINGS

Hot Dip Galvanized (TS EN ISO 1461)

Description	T (mm)	Weight (kg/pcs)	HDG Code
U-65 U Section Expansion Fitting	2,5	0,345	3006642
UDY Protection Cover	-	-	1002279
I-80 I Console Joint Unit	2,5	0,312	3008231

For installation of U-65 and UDY console joint unit;
 1 unit I-80 console joint unit,
 4 units M10x30 bolt,
 8 units M10 nut and
 4 units Ø10 washer shall be ordered.



- Please contact your representative for inquiries regarding stainless steel alternatives.
- Please indicate order code in your orders.
- Please contact us for special dimensions.
- Material weights may vary by ± 10%

- All dimensions are given as in mm
- PG= Pre-Galvanized
- HDG= Hot Dip Galvanized

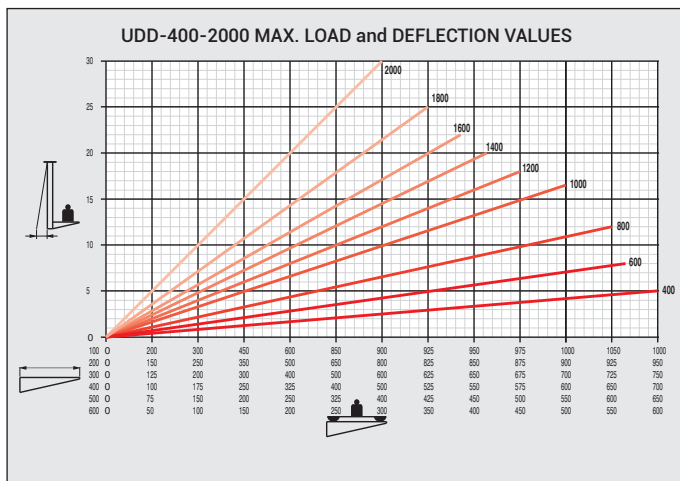
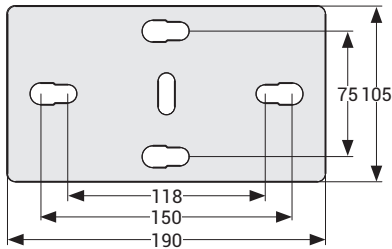
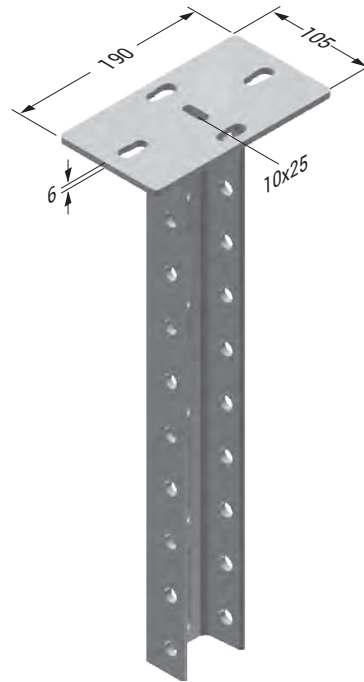
E-LINEA-A

►► I HEAVY DUTY SUPPORTS

Hot Dip Galvanized (TS EN ISO 1461)



Description	L (mm)	Tensile Load (kg)	Weight (kg/set)	HDG Code
UDD 300	300	1000	2,750	3007997
UDD 400	400	1000	3,350	3007998
UDD 500	500	1000	3,950	3007999
UDD 600	600	1000	4,550	3008000
UDD 700	700	1000	5,150	3008001
UDD 800	800	1000	5,750	3008002
UDD 900	900	1000	6,350	3008003
UDD 1000	1000	1000	6,950	3008004
UDD 1100	1100	1000	7,550	3008005
UDD 1200	1200	1000	8,150	3008006
UDD 1300	1300	1000	8,750	3008007
UDD 1400	1400	1000	9,350	3008008
UDD 1500	1500	1000	9,850	3008009
UDD 1600	1600	1000	10,550	3008010
UDD 1700	1700	1000	11,150	3008011
UDD 1800	1800	1000	11,750	3008012
UDD 1900	1900	1000	12,350	3008013
UDD 2000	2000	1000	12,950	3008014



- Please indicate order code in your orders.
- Please contact us for special dimensions.
- Material weights may vary by ± 10%

- All dimensions are given as in mm
- PG= Pre-Galvanized
- HDG= Hot Dip Galvanized

UDD HANDER CARRIAGE VALUES

Single-Sided 1 Row	UDD VERTICAL HANGER			P (kg) MAXIMUM LOAD ALLOWED IN SINGLE-SIDED LOADING CONDITION					
	Type	L (mm)	Fz max. (kg)	A (Console Length)					
				100	200	300	400	500	600
	UDD 500	500	1000	1000	950	750	700	650	600
UDD 1000	1000	1000		900	700	600	550	500	
UDD 1500	1500	950		850	650	550	450	400	
UDD 2000	2000	900		800	600	500	400	300	

Double-Sided 1 Row	UDD VERTICAL HANGER			P (kg) MAXIMUM LOAD ALLOWED IN SINGLE-SIDED LOADING CONDITION					
	Type	L (mm)	Fz max. (kg)	A (Console Length)					
				100	200	300	400	500	600
	UDD 500	500	1000	500	500	500	500	500	500
UDD 1000	1000	500		500	500	500	500	500	
UDD 1500	1500	500		500	500	500	500	500	
UDD 2000	2000	500		500	500	500	500	500	

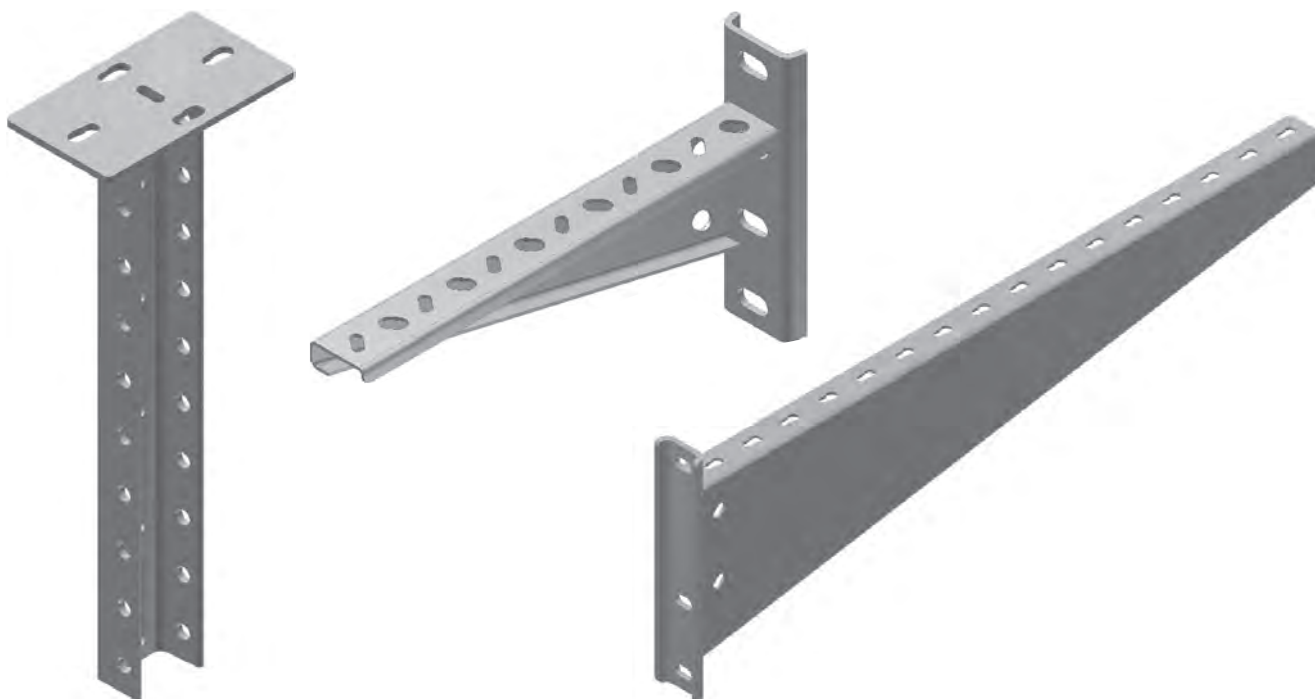
Single-Sided 2 Row	UDD VERTICAL HANGER			P (kg) MAXIMUM LOAD ALLOWED IN SINGLE-SIDED LOADING CONDITION					
	Type	L (mm)	Fz max. (kg)	A (Console Length)					
				100	200	300	400	500	600
	UDD 500	500	900	500	475	375	350	325	300
UDD 1000	1000	500		450	350	300	275	250	
UDD 1500	1500	475		425	325	275	225	200	
UDD 2000	2000	450		400	300	250	200	150	

Double-Sided 2 Row	UDD VERTICAL HANGER			P (kg) MAXIMUM LOAD ALLOWED IN SINGLE-SIDED LOADING CONDITION					
	Type	L (mm)	Fz max. (kg)	A (Console Length)					
				100	200	300	400	500	600
	UDD 500	500	1000	250	250	250	250	250	250
UDD 1000	1000	250		250	250	250	250	250	
UDD 1500	1500	250		250	250	250	250	250	
UDD 2000	2000	250		250	250	250	250	250	

Single-Sided 3 Row	UDD VERTICAL HANGER			P (kg) MAXIMUM LOAD ALLOWED IN SINGLE-SIDED LOADING CONDITION					
	Type	L (mm)	Fz max. (kg)	A (Console Length)					
				100	200	300	400	500	600
	UDD 500	500	1000	400	360	280	250	230	215
UDD 1000	1000	380		350	265	230	200	180	
UDD 1500	1500	360		315	250	215	165	150	
UDD 2000	2000	350		300	230	200	150	115	

Double-Sided 3 Row	UDD VERTICAL HANGER			P (kg) MAXIMUM LOAD ALLOWED IN SINGLE-SIDED LOADING CONDITION					
	Type	L (mm)	Fz max. (kg)	A (Console Length)					
				100	200	300	400	500	600
	UDD 500	500	1000	165	165	165	165	165	165
UDD 1000	1000	165		165	165	165	165	165	
UDD 1500	1500	165		165	165	165	165	165	
UDD 2000	2000	165		165	165	165	165	165	

* Table load values are specified on the basis of TS EN 61537 standard.
 * Consoles that are compatible with UDD hangers are STS and A-ST5 type consoles.
 For carriage values of consoles, refer to section A-A, page 40 and page 41 respectively.



- Please contact your representative for inquiries regarding stainless steel alternatives.
- Please indicate order code in your orders.
- Please contact us for special dimensions.
- Material weights may vary by ± 10%

- All dimensions are given as in mm
- PG= Pre-Galvanized
- HDG= Hot Dip Galvanized

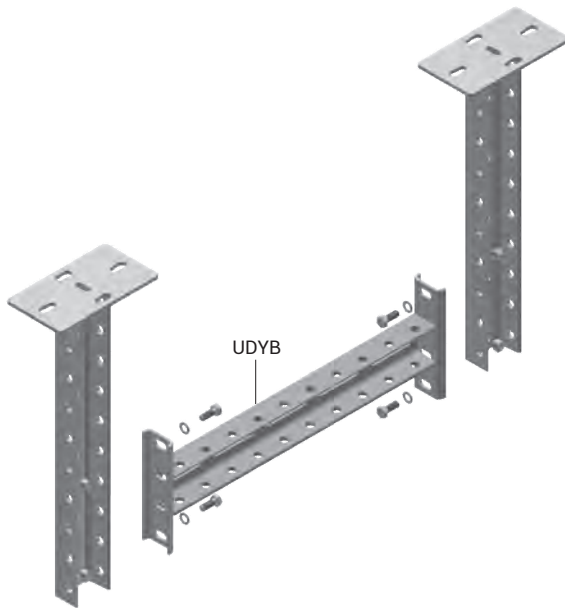
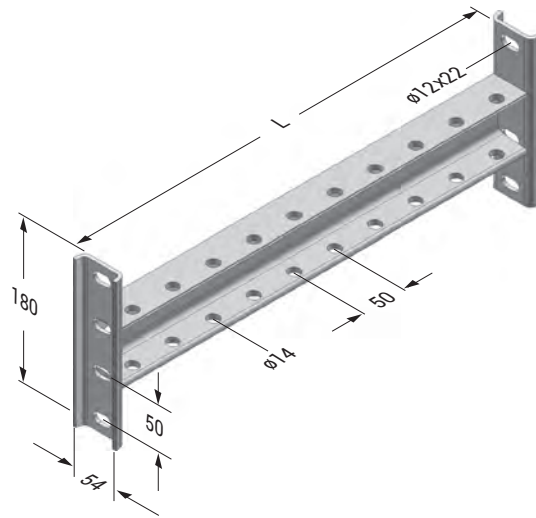
E-LINEA-A

►► U HEAVY DUTY SUPPORTS

Hot Dip Galvanized (TS EN ISO 1461)



Description	L (mm)	Weight (kg/pcs)	HDG Code
UDYB 300	350	2,866	3007989
UDYB 400	450	3,458	3007990
UDYB 500	550	4,048	3007991
UDYB 600	650	4,640	3007992
UDYB 700	750	5,237	3007993
UDYB 800	850	5,856	3007994
UDYB 900	950	6,433	3007995
UDYB 1000	1050	7,031	3007996

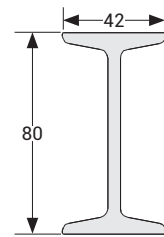
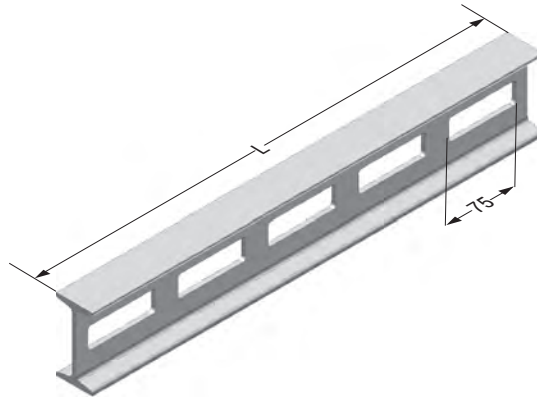


		UDD - UDYB H-TYPE HANGER SAFE LOAD VALUES				
		Vertical Hanger :		HORIZONTAL SUPPORTS: UDYB Max. Load Allowed q (kg)		
		L (mm)	Fz max. (kg)	A 300-400-500mm	A 600-700-800mm	A 900-1000-1200mm
1 Row Application		500	1000	1000	900	800
		1000		1000	900	800
		1500		1000	900	800
		2000		1000	900	800
		2500		1000	900	800
		3000		1000	900	800
2 Row Application		500	1000	900	900	800
		1000		900	900	800
		1500		900	900	800
		2000		900	900	800
		2500		900	900	800
		3000		900	900	800
3 Row Application		500	1000	600	600	600
		1000		600	600	600
		1500		600	600	600
		2000		600	600	600
		2500		600	600	600
		3000		600	600	600

- Please contact your representative for inquiries regarding stainless steel alternatives.
- Please indicate order code in your orders.
- Please contact us for special dimensions.
- Material weights may vary by ± 10%

- All dimensions are given as in mm
- PG= Pre-Galvanized
- HDG= Hot Dip Galvanized

Description	L (mm)	Weight (kg/pcs)	HDG Code
IDY 300	300	1,700	3008242
IDY 400	400	2,100	3008290
IDY 500	500	2,600	3008289
IDY 600	600	3,300	3008288
IDY 700	700	3,700	3008287
IDY 800	800	4,200	3008286
IDY 900	900	4,700	3008285
IDY 1000	1000	5,300	3008284
IDY 1100	1100	5,700	3008283
IDY 1200	1200	6,200	3008282
IDY 1300	1300	6,900	3008236
IDY 1400	1400	7,300	3008281
IDY 1500	1500	7,900	3008280
IDY 1600	1600	8,500	3008241
IDY 1700	1700	8,900	3008240
IDY 1800	1800	9,400	3008239
IDY 1900	1900	9,900	3008238
IDY 2000	2000	10,500	3008237
IDY 3000	3000	15,700	3030391



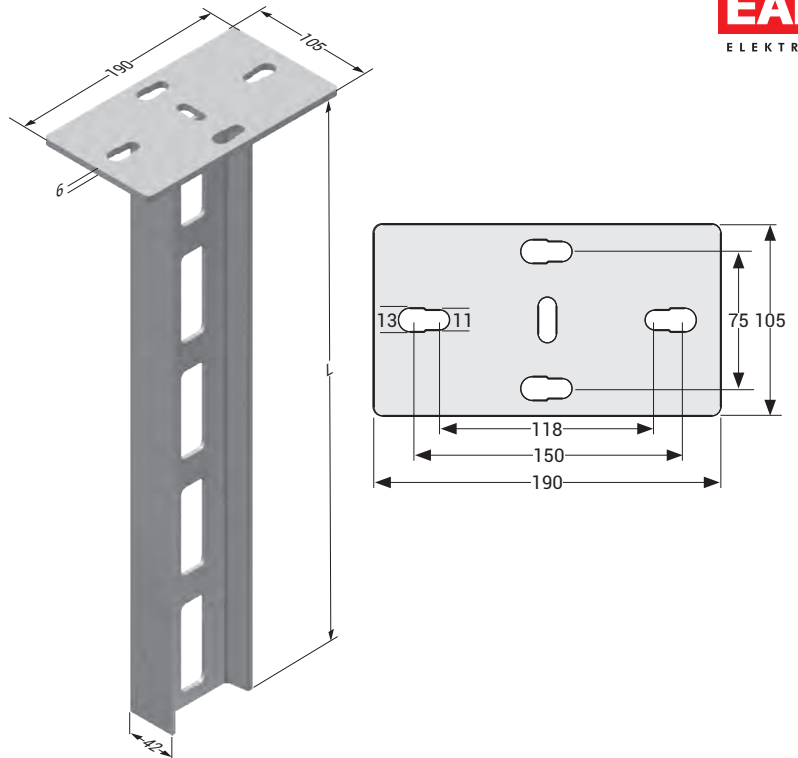
		IDD-IDY H-TYPE HANGER SAFE LOAD VALUES				
		VERTICAL HANGER:		HORIZONTAL SUPPORTS: IDY q (kg)		
		L (mm)	Fz max. (kg)	A 300-400-500mm	A 600-700-800mm	A 900-1000-1200mm
1 Row Application		500	1200	1200	1000	900
		1000		1200	1000	900
		1500		1200	1000	900
		2000		1200	1000	900
		2500		1200	1000	900
		3000		1200	1000	900
2 Row Application		500	1200	1200	1000	900
		1000		1200	1000	900
		1500		1200	1000	900
		2000		1200	1000	900
		2500		1200	1000	900
		3000		1200	1000	900
3 Row Application		500	1200	800	800	800
		1000		800	800	800
		1500		800	800	800
		2000		800	800	800
		2500		800	800	800
		3000		800	800	800

IDY-PROFILE SAFE CARRIAGE CAPACITIES	
LOADING DIRECTION	
DISTRIBUTED LOAD	
L (mm)	Max. Load Allowed q (kg)
500	1200
750	1100
1000	1000
1250	850
1500	700
1750	600
2000	525
2250	475
2500	425
2750	380
3000	350

- Please contact your representative for inquiries regarding stainless steel alternatives.
- Please indicate order code in your orders.
- Please contact us for special dimensions.
- Material weights may vary by ± 10%

- All dimensions are given as in mm
- PG= Pre-Galvanized
- HDG= Hot Dip Galvanized

Description	L (mm)	Tensile Load (kg)	Weight (kg/pcs)	HDG Code
IDD 300	300	1200	2,650	3008314
IDD 400	400	1200	3,050	3008313
IDD 500	500	1200	3,550	3008312
IDD 600	600	1200	4,250	3008311
IDD 700	700	1200	4,650	3008310
IDD 800	800	1200	5,150	3008309
IDD 900	900	1200	5,650	3008308
IDD 1000	1000	1200	6,250	3008307
IDD 1100	1100	1200	6,650	3008306
IDD 1200	1200	1200	7,150	3008305
IDD 1300	1300	1200	7,850	3008304
IDD 1400	1400	1200	8,250	3008303
IDD 1500	1500	1200	8,850	3008302
IDD 1600	1600	1200	9,450	3008301
IDD 1700	1700	1200	9,850	3008300
IDD 1800	1800	1200	10,350	3008299
IDD 1900	1900	1200	10,850	3008298
IDD 2000	2000	1200	11,450	3008297
IDD 3000	3000	1200	16,650	3030392

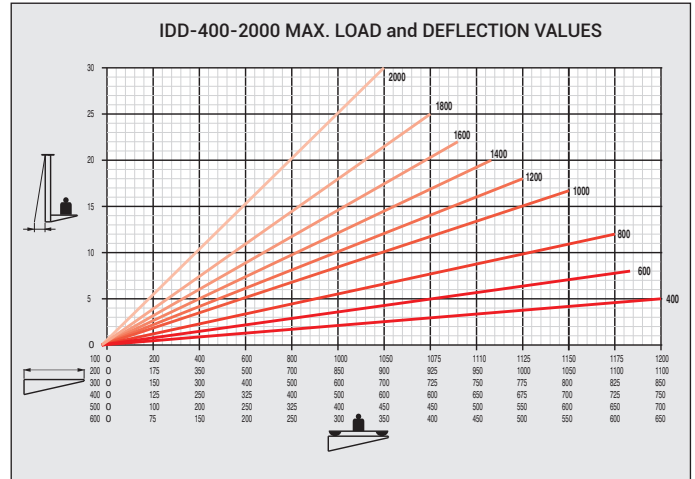


Single-Sided 1 Row	IDD VERTICAL HANGER			P (kg) MAXIMUM LOAD ALLOWED IN SINGLE-SIDED LOADING CONDITION					
	Type	L (mm)	Fz max. (kg)	A (Console Length)					
				100	200	300	400	500	600
	IDD 500	500	1200	1200	1100	850	750	700	650
	IDD 1000	1000		1150	1050	800	700	600	550
	IDD 1500	1500		1100	950	750	650	500	450
	IDD 2000	2000		1050	900	700	600	450	350

Single-Sided 2 Row	IDD VERTICAL HANGER			P (kg) MAXIMUM LOAD ALLOWED IN SINGLE-SIDED LOADING CONDITION					
	Type	L (mm)	Fz max. (kg)	A (Console Length)					
				100	200	300	400	500	600
	IDD 500	500	1200	600	550	425	375	350	325
	IDD 1000	1000		575	525	400	350	300	275
	IDD 1500	1500		550	475	375	325	250	225
	IDD 2000	2000		525	450	350	300	225	175

Single-Sided 3 Row	IDD VERTICAL HANGER			P (kg) MAXIMUM LOAD ALLOWED IN SINGLE-SIDED LOADING CONDITION					
	Type	L (mm)	Fz max. (kg)	A (Console Length)					
				100	200	300	400	500	600
	IDD 500	500	1200	400	360	280	250	230	215
	IDD 1000	1000		380	350	265	230	200	180
	IDD 1500	1500		360	315	250	215	165	150
	IDD 2000	2000		350	300	230	200	150	115

Double-Sided 1 Row	IDD VERTICAL HANGER			P (kg) MAXIMUM LOAD ALLOWED IN SINGLE-SIDED LOADING CONDITION					
	Type	L (mm)	Fz max. (kg)	A (Console Length)					
				100	200	300	400	500	600
	IDD 500	500	1200	1200	1100	850	750	700	650
	IDD 1000	1000		1150	1050	800	700	600	550
	IDD 1500	1500		1100	950	750	650	500	450
	IDD 2000	2000		1050	900	700	600	450	350



The table load values are specified based on the TS EN 61537 standard.

Double-Sided 2 Row	IDD VERTICAL HANGER			P (kg) MAXIMUM LOAD ALLOWED IN SINGLE-SIDED LOADING CONDITION					
	Type	L (mm)	Fz max. (kg)	A (Console Length)					
				100	200	300	400	500	600
	IDD 500	500	1200	600	550	425	375	350	325
	IDD 1000	1000		575	525	400	350	300	275
	IDD 1500	1500		550	475	375	325	250	225
	IDD 2000	2000		525	450	350	300	225	175

Double-Sided 3 Row	IDD VERTICAL HANGER			P (kg) MAXIMUM LOAD ALLOWED IN SINGLE-SIDED LOADING CONDITION					
	Type	L (mm)	Fz max. (kg)	A (Console Length)					
				100	200	300	400	500	600
	IDD 500	500	1200	400	360	280	250	230	215
	IDD 1000	1000		380	350	265	230	200	180
	IDD 1500	1500		360	315	250	215	165	150
	IDD 2000	2000		350	300	230	200	150	115

- Please contact your representative for inquiries regarding stainless steel alternatives.
- Please indicate order code in your orders.
- Please contact us for special dimensions.
- Material weights may vary by ± 10%

- All dimensions are given as in mm
- PG= Pre-Galvanized
- HDG= Hot Dip Galvanized

E-LINEA-A

►► HEAVY DUTY SUPPORTS (Z)

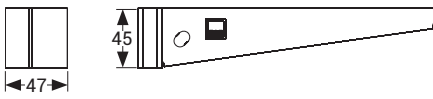
Hot Dip Galvanized (TS EN ISO 1461)



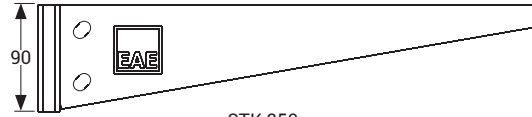
Description	A (mm)	T (mm)	Pack (tk)	Weight (kg/pcs)	HDG Code
STK 100	120	2	10	0,350	3008198
STK 150	170	2	10	0,417	3008114
STK 200	220	2	10	0,519	3008296
STK 250	270	2	10	0,892	3008295
STK 300	320	2	10	1,044	3008294
STK 400	420	2	10	1,215	3008293
STK 500	520	2	10	1,387	3008292
STK 600	620	2	10	1,557	3008291
STK Bolt Set 1	-	-	-	0,096	2000172
STK Bolt Set 2	-	-	-	0,309	2000173



• STK Bolt Set will be supplied with the product.



STK 100
STK 150
STK 200



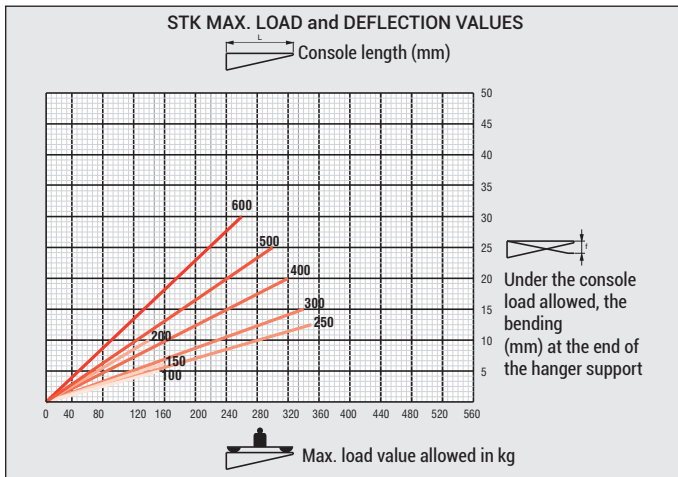
STK 250
STK 300
STK 400
STK 500
STK 600

STK Bolt Sets 1

STK Bolts set 1 for 100-150-200 sizes is comprised of
1 each M8x20 screw,
1 each M8 nut,
2 each M8 Shim,
1 each Washer and 1 each lug tool.

STK Bolt Sets 2

STK Bolts set 2 for 250-300-400-500-600 sizes is comprised of
2 each M10x30 Bolts,
2 each M10 Nuts,
2 each M10 Shim,
2 each Belleville washer (M10),
1 each custom STK shim and 2 each lug tools.



- Please contact your representative for inquiries regarding stainless steel alternatives.
- Please indicate order code in your orders.
- Please contact us for special dimensions.
- Material weights may vary by $\pm 10\%$

- All dimensions are given as in mm
- PG= Pre-Galvanized
- HDG= Hot Dip Galvanized

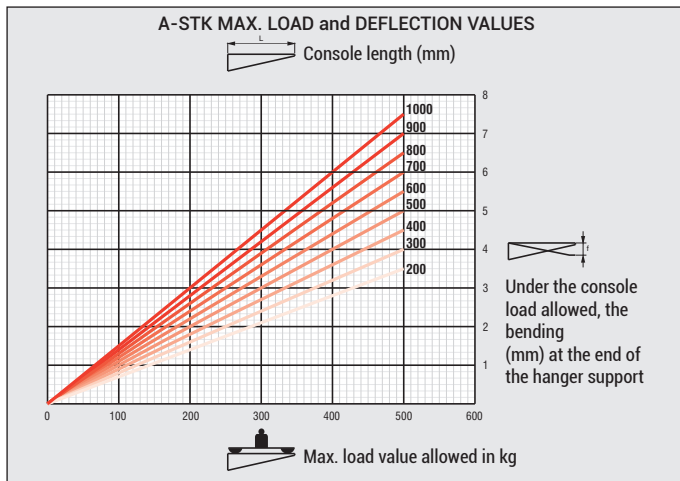
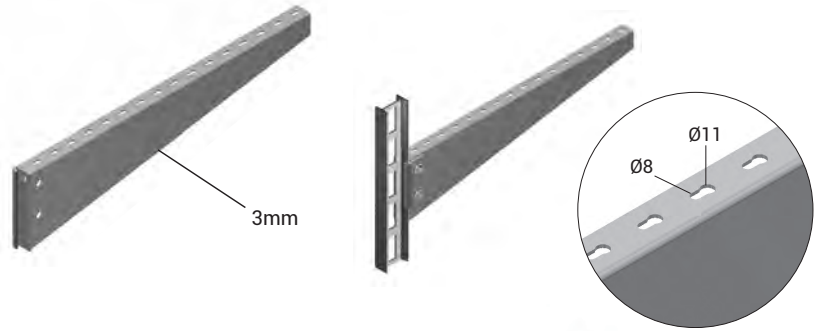
E-LINEA-A

▶▶ A-STK TRAY SUPPORTS

Hot Dip Galvanized (TS EN ISO 1461)

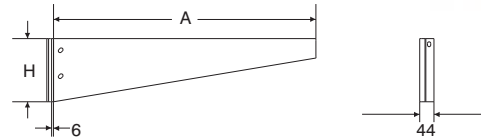


Description	A (mm)	H (mm)	T (mm)	Weight (kg/pcs)	HDG Code
A-STK 200	230	90	3	1,433	3108826
A-STK 300	330	110	3	1,976	3108827
A-STK 400	430	130	3	2,606	3108828
A-STK 500	530	145	3	3,237	3108829
A-STK 600	630	165	3	3,893	3108830
A-STK 700	730	195	3	4,895	3108831
A-STK 800	830	195	3	5,397	3108832
A-STK 900	930	195	3	5,898	3108833
A-STK 1000	1030	195	3	6,401	3108834



A-STK Bolt Set

- 2 pcs M10x30 Bolt,
- 2 pcs M10 Nut,
- 4 pcs M10 Washer,
- 2 pcs M10 Plain Washers,
- 1 pcs each lug tool.

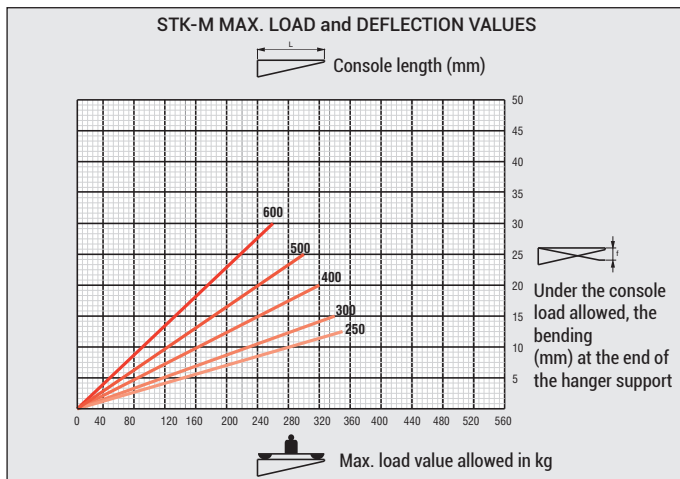
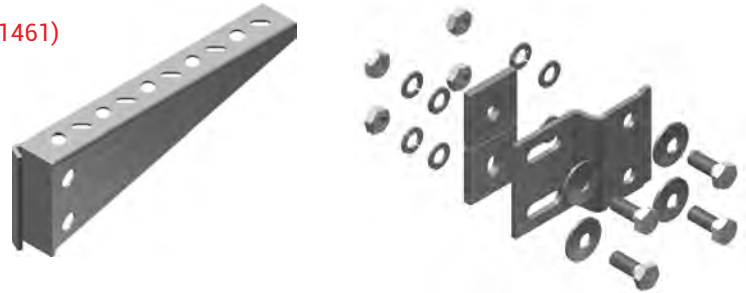


- A-STK Bolt Set will be supplied with the product.

Load values in tables have been defined on the basis of the TS EN 61537 standard.

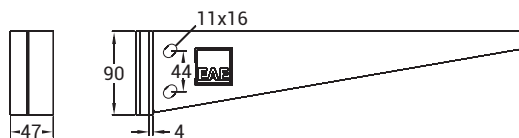
▶ STK-M Tray Supports Hot Dip Galvanized (TS EN ISO 1461)

Description	A (mm)	T (mm)	Pack (tk)	Weight (kg/pcs)	HDG Code
STK-M 250	270	2	10	1,277	3110215
STK-M 300	320	2	10	1,363	3110216
STK-M 400	420	2	10	1,534	3110217
STK-M 500	520	2	10	1,706	3110218
STK-M 600	620	2	10	1,876	3110219



STK-M Bolt Set 1

- 4 Unit of M10x35 Bolts,
- 4 Units of M10 Capsule Washers ,
- 4 Units of M10 Washers,
- 4 Units of Plain Washers,
- 4 Units of M10 Nuts,
- 2 Units of BR1 Square Washer and
- 1 Unit of STK-M.



- STK-M Bolt Set will be supplied with the product.

■ Please contact your representative for inquiries regarding stainless steel alternatives.

■ Please indicate order code in your orders.

■ Please contact us for special dimensions.

■ Material weights may vary by ± 10%

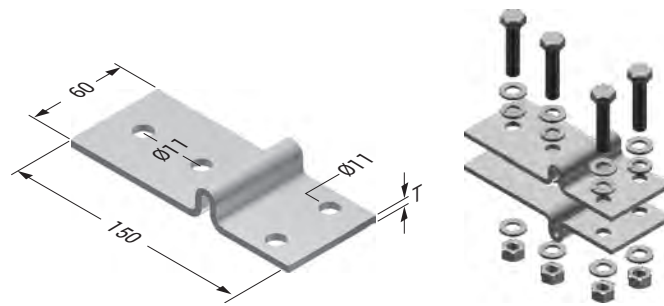
■ All dimensions are given as in mm

■ PG= Pre-Galvanized

■ HDG= Hot Dip Galvanized

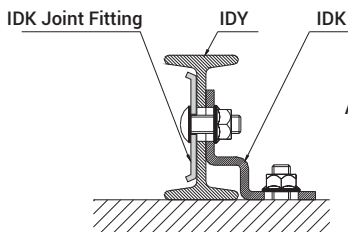
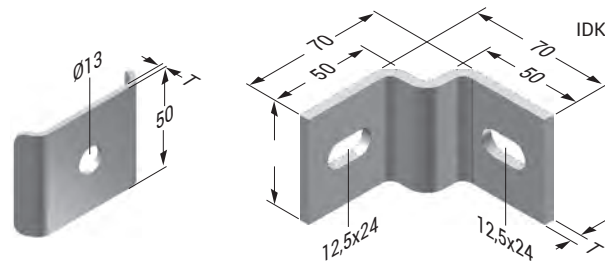
Description	T (mm)	Pack (pcs)	Weight (kg/set)	HDG Code
IDT Support Fitting	4	10	0,815	3008279

Set of IDT consists:
2 IDT support fitting set, 4 M10x30 bolt, 8 M10 washer, 4 M10 spring washer, 4 M10 nut.

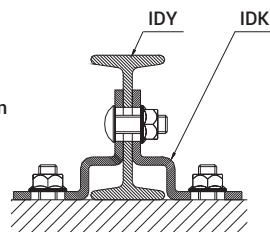


Description	T (mm)	Pack (pcs)	Weight (kg/pcs)	HDG Code
IDK Support Fitting	4	20	0,226	3008278
IDK Joint Fitting	2,5	-	0,081	3006348
I-80 I Profile Joint	2,5	20	0,312	3008231
IDY Protection Cover	-	-	-	1002278

For installation of I-80 console joint unit;
2 units I-80 I Profile Joint, 4 units M10x30 bolt, 4 units M10 nut, 8 units M10 washer and 4 units Ø10 washer shall be ordered.



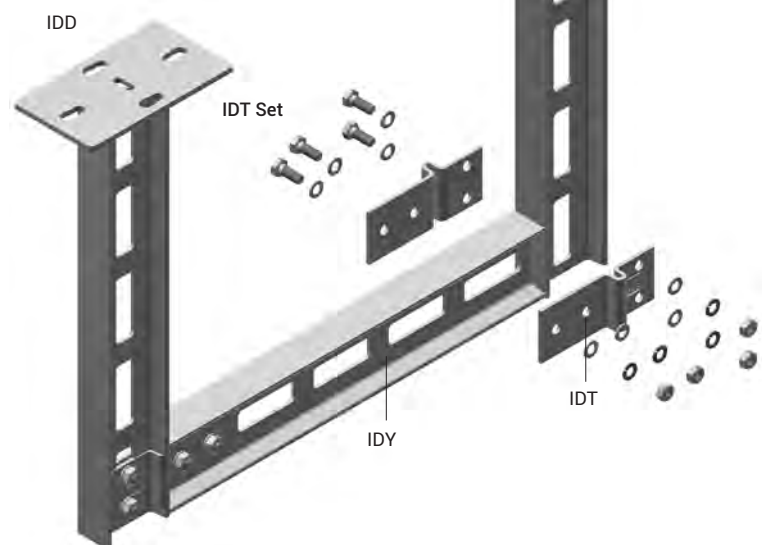
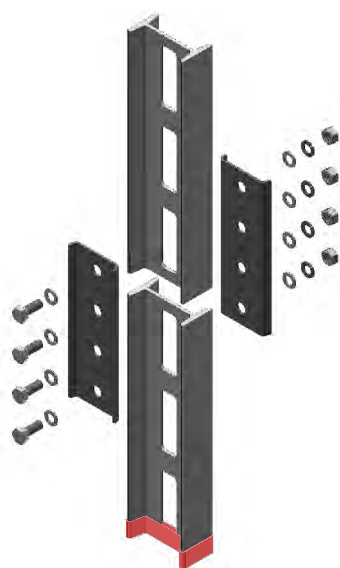
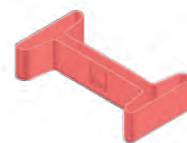
Application examples



I-80 I Profile Joint



IDY Protection Cover



- Please contact your representative for inquiries regarding stainless steel alternatives.
- Please indicate order code in your orders.
- Please contact us for special dimensions.
- Material weights may vary by ± 10%

- All dimensions are given as in mm
- PG= Pre-Galvanized
- HDG= Hot Dip Galvanized

E-LINEA-A

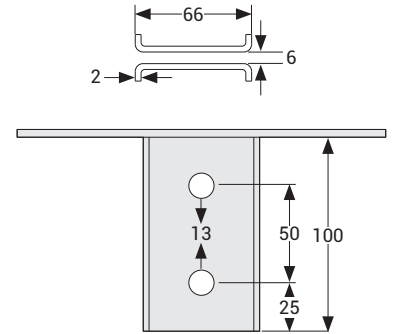
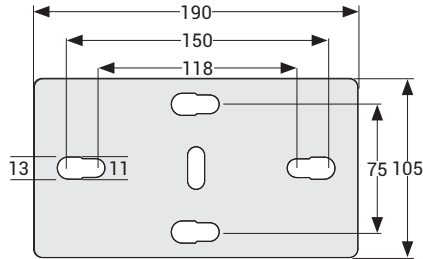
►► CEILING MOUNTING FITTINGS

Hot Dip Galvanized (TS EN ISO 1461)

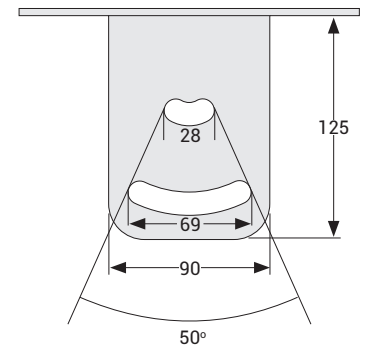
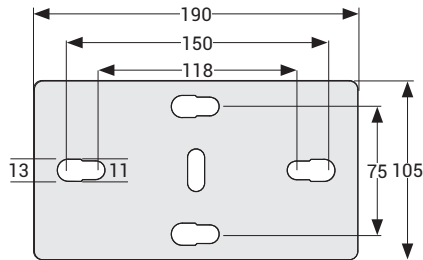


Description	Pack (pcs)	Weight (kg/pcs)	HDG Code
TMP 7 Ceiling Support Unit	10	1,218	3008381
TMP 10 Ceiling Support Unit	10	1,298	3007922

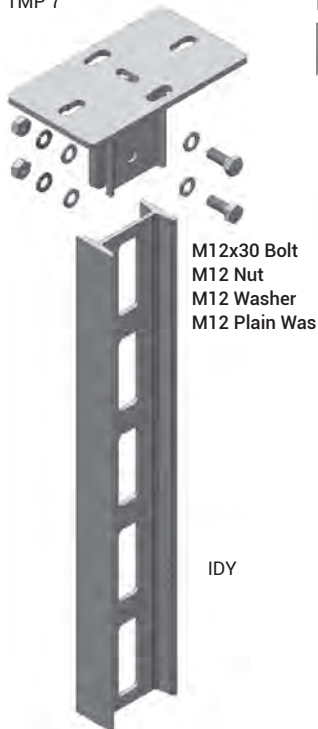
TMP 7



TMP 10



TMP 7



M12 Pull-off Dowel
M12 Nut

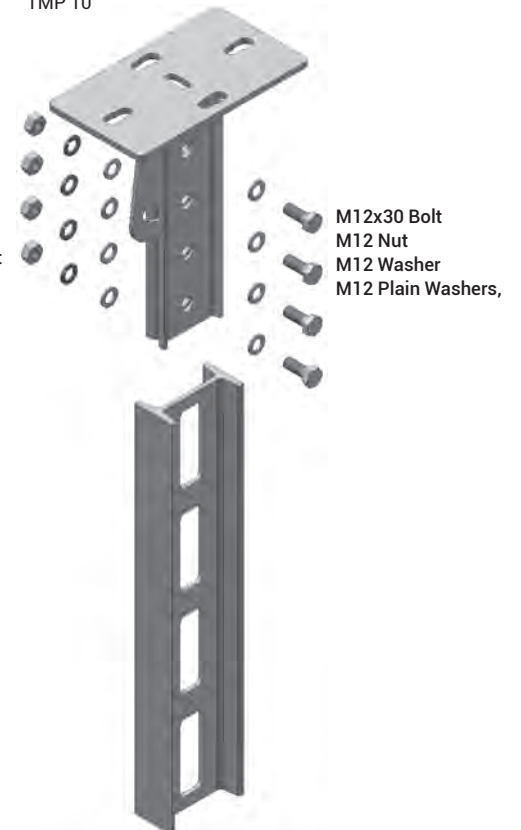


TMP 10

STK

STK Connection Part
M10x30 Bolt
M10 Washer
M10 Nut

TMP 10



IDY

I-80 EK

IDT

IDD

■ Please contact your representative for inquiries regarding stainless steel alternatives.

■ Please indicate order code in your orders.

■ Please contact us for special dimensions.

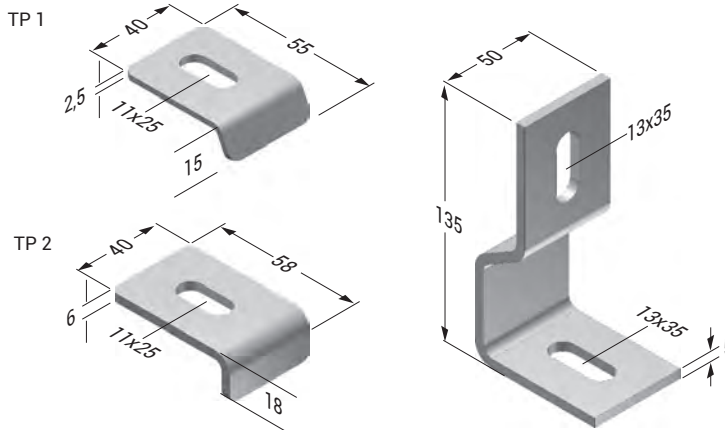
■ Material weights may vary by ± 10%

■ All dimensions are given as in mm

■ PG= Pre-Galvanized

■ HDG= Hot Dip Galvanized

Description	T (mm)	Pack (pcs)	Weight (pcs)	HDG Code
Purlin Pendant	5	20	0,297	2000322

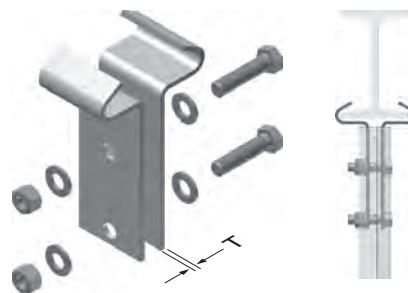


► Support Fittings Alkali Zinc

Description	T (mm)	Weight (kg/pcs)	PG Code
TP 1 Fixing Part	2,5	0,050	3006649
TP 2 Fixing Part	6	0,134	3006350

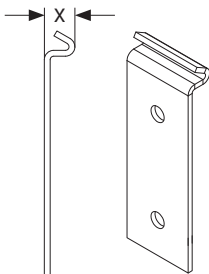
► Support Fittings Hot Dip Galvanized (TS EN ISO 1461)

Description	T (mm)	X (mm)	Tensile Load	Pack (mm)	Weight (kg/set)	HDG Code
ITP Mounting Set IPN-80	4	21	250 kg	10	0,913	3195585
ITP Mounting Set IPN-100	4	25	250 kg	10	0,931	3195586
ITP Mounting Set IPN-120	4	29	250 kg	10	0,949	3195587
ITP Mounting Set IPN-140	4	33	250 kg	10	0,968	3195588

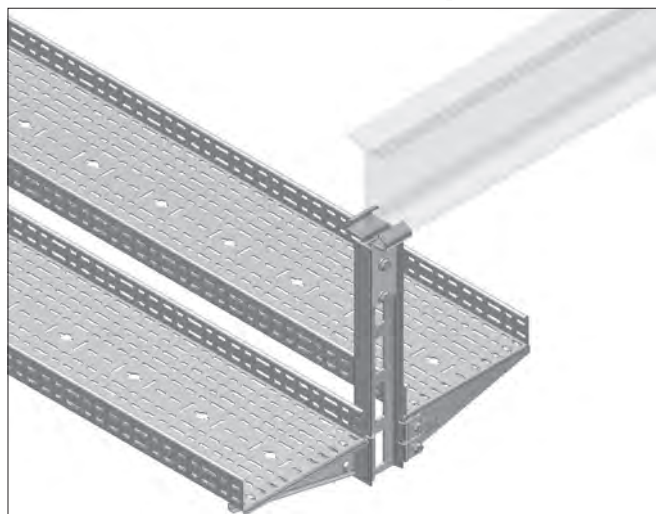
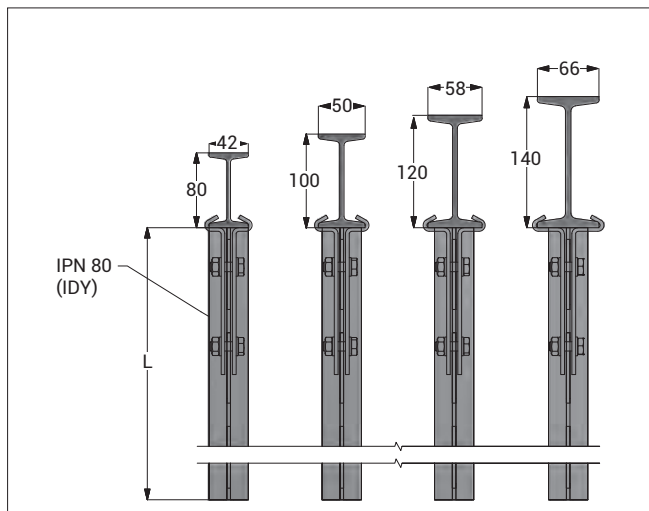


Delivered as set. 1 set includes :

Product	Quantity
ITP Fixing Part	2 pcs.
M12x30 AKB bolt pcs. (DIN 933)	2 pcs.
M12 Nut (DIN934)	2 pcs.
M12 Washer (DIN 125)	4 pcs.



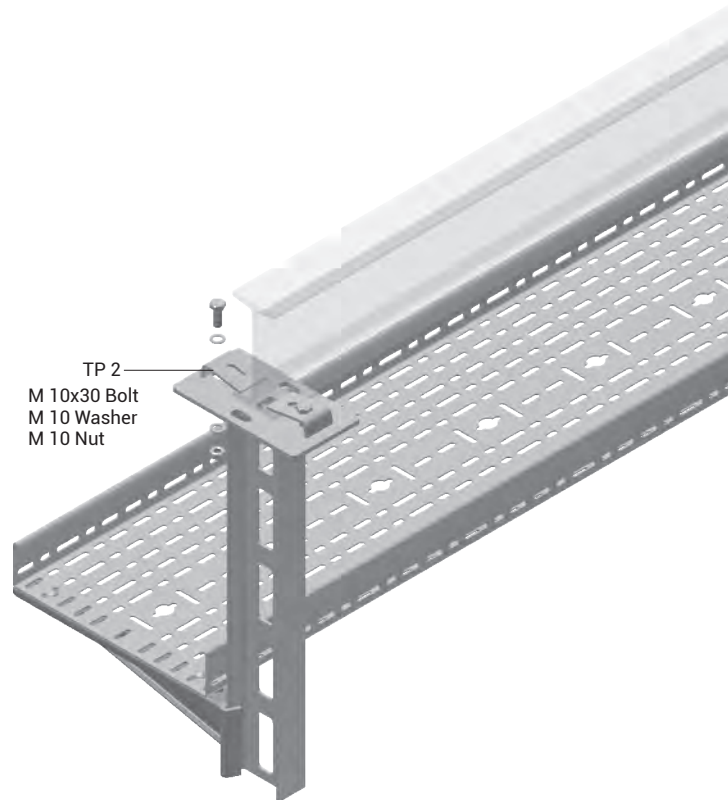
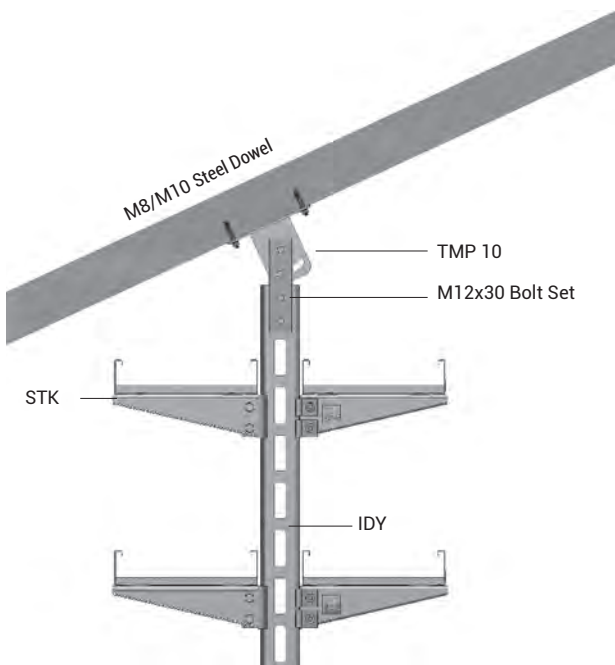
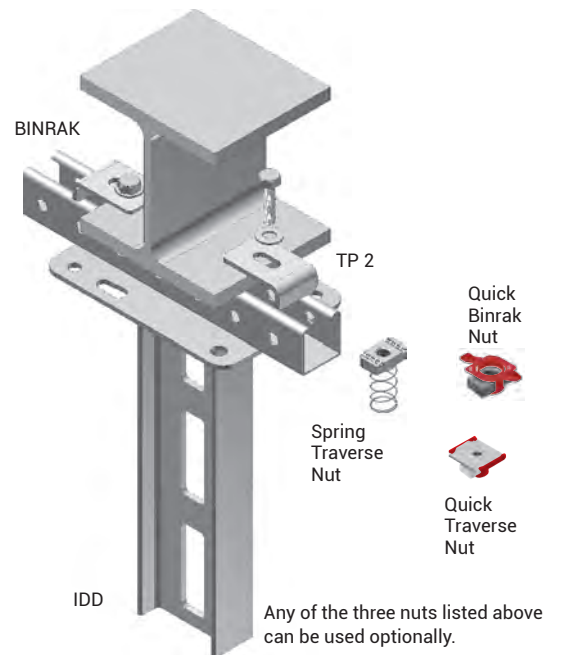
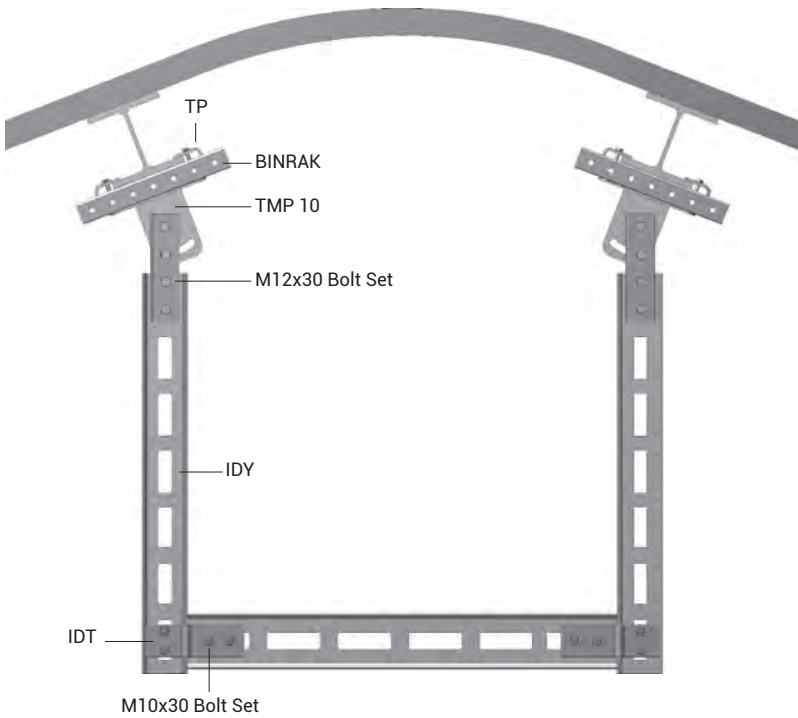
ASSEMBLY DETAIL:



Compatible I beam size range: IPN-80 / IPN-100 / IPN-120 / IPN-140 (max. I-140)

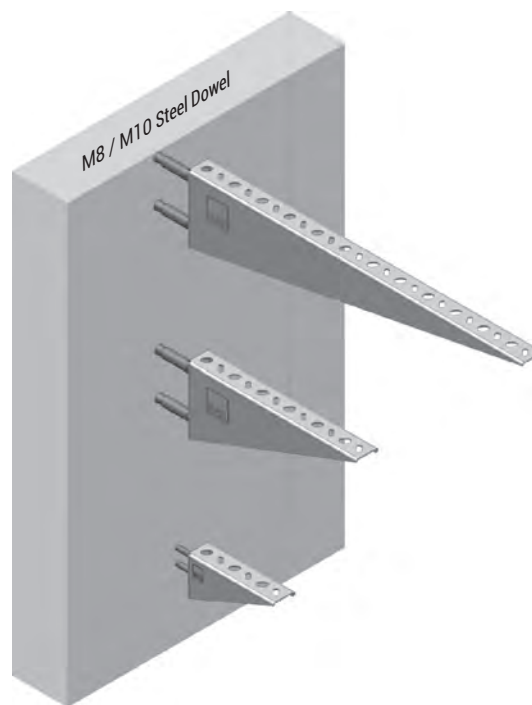
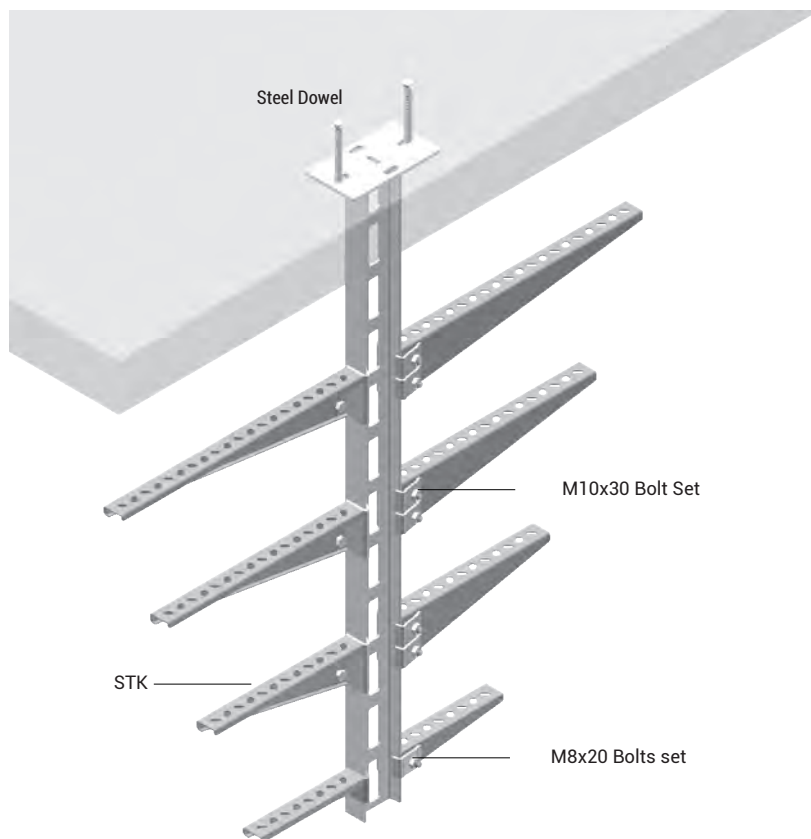
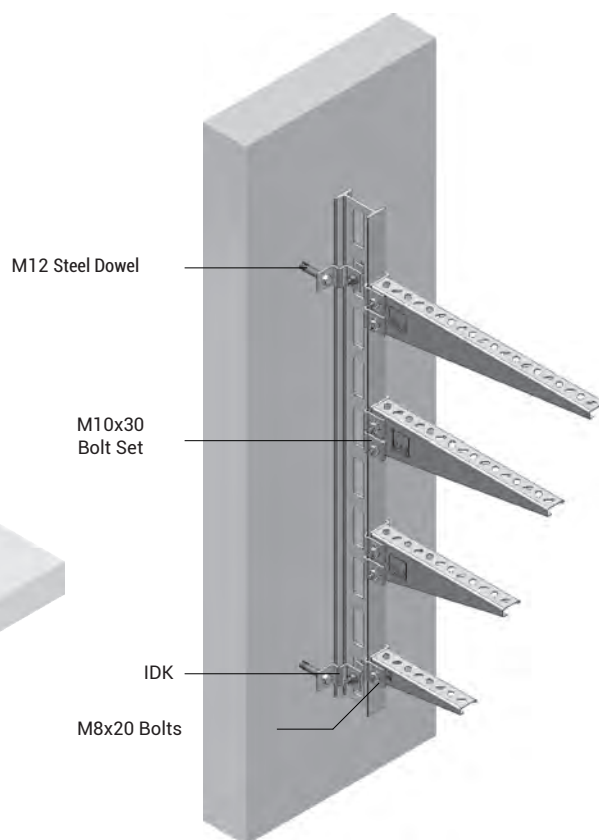
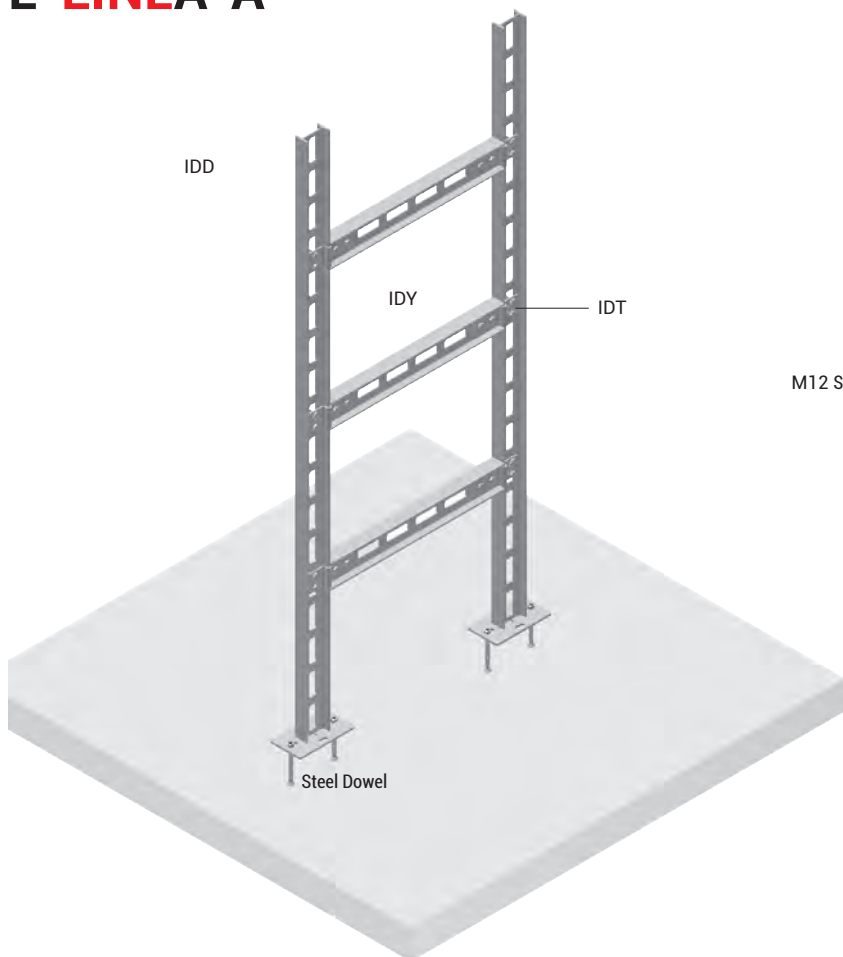
- Please contact your representative for inquiries regarding stainless steel alternatives.
- Please indicate order code in your orders.
- Please contact us for special dimensions.
- Material weights may vary by ± 10%

- All dimensions are given as in mm
- PG= Pre-Galvanized
- HDG= Hot Dip Galvanized



- Please contact your representative for inquiries regarding stainless steel alternatives.
- Please indicate order code in your orders.
- Please contact us for special dimensions.
- Material weights may vary by $\pm 10\%$

- All dimensions are given as in mm
- PG= Pre-Galvanized
- HDG= Hot Dip Galvanized




- Please contact your representative for inquiries regarding stainless steel alternatives.
- Please indicate order code in your orders.
- Please contact us for special dimensions.
- Material weights may vary by $\pm 10\%$

- All dimensions are given as in mm
- PG= Pre-Galvanized
- HDG= Hot Dip Galvanized

▶▶ PROJECT DESIGN FORM

Component List		Quantity
Item	Component	

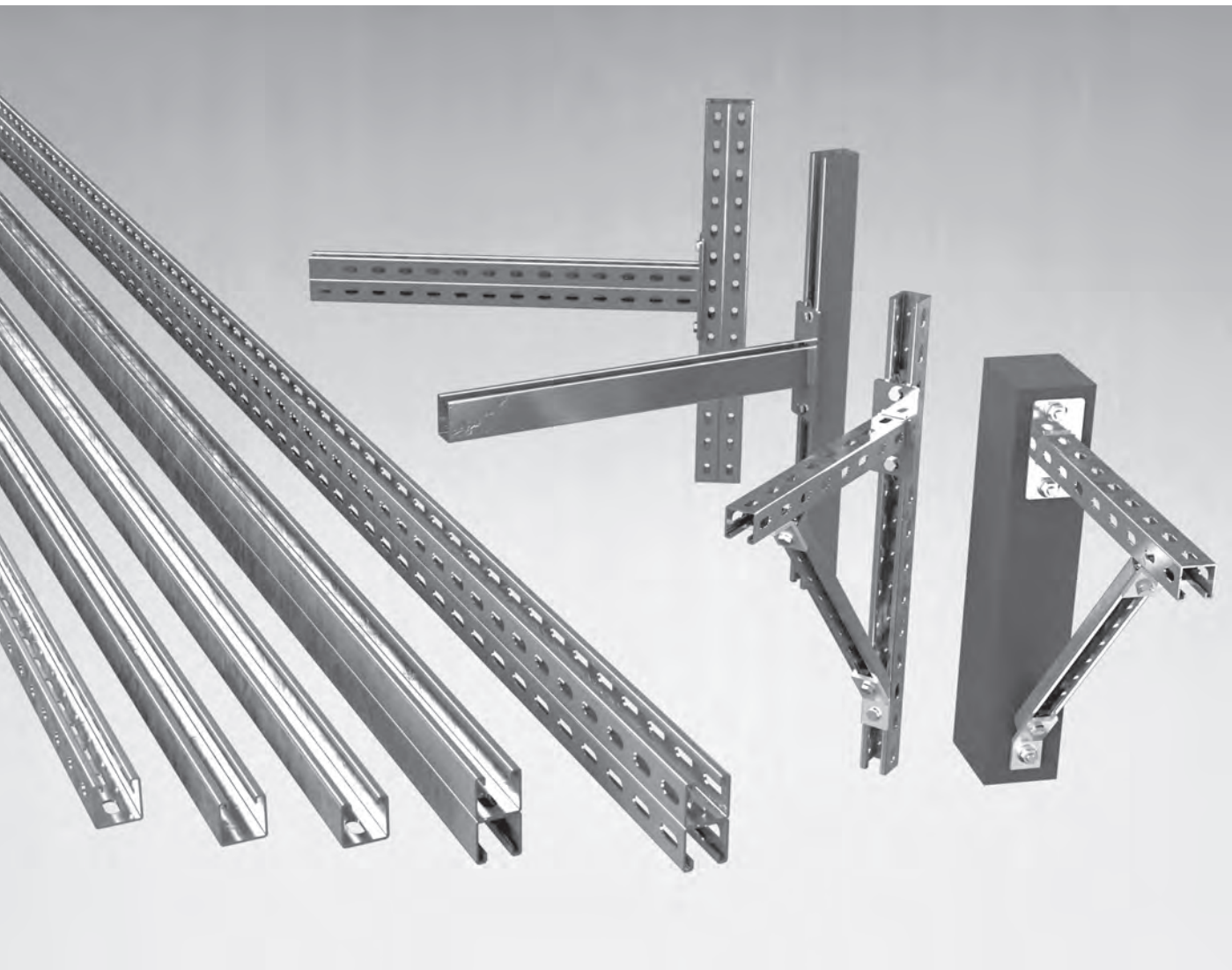
Company:	
Project:	
Project No:	
Name :	
Date :	
Signature :	
Prepared by	



Please duplicate this page for your own use.

E-LINE BR

CABLE SUPPORT SYSTEMS



E-LINE BR

Please visit our website for the updated version of our catalogues.
www.eaelectric.com



CONTENTS

▶▶ E-LINE BR

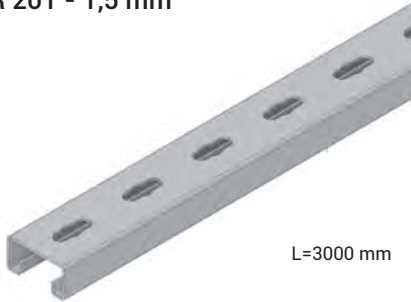
Binrak Channel	2-9
Binrak Double Channel	10-12
Binrak Fixing Accessories, Binrak Cross Connectors	13-19
Binrak Fitting Accessories.....	20-23
Binrak Support With Holes, Binrak Double Support With Holes	24-27
Heavy Duty Support	28
Adjustable Angle Brackets, OG Konsol	29
Sample Mounting Applications	30

►►BINRAK CHANNEL (41x21mm)

Pre-Galvanized (TS EN 10346 - TS EN 10143), Hot Dip Galvanized (TS EN ISO 1461)

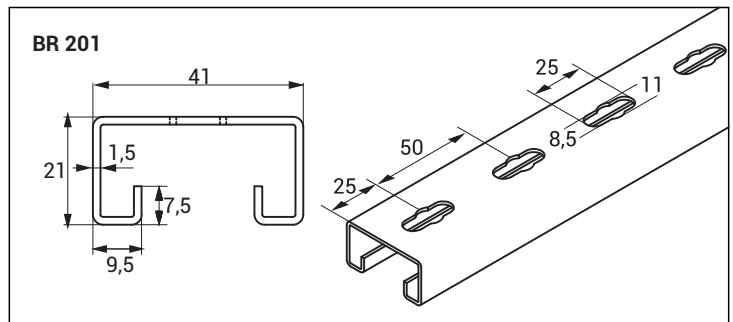
Description	T (mm)	Weight (kg/m)	PG Code	Weight (kg/m)	HDG Code
BR 201 BINRAK	1,5	1,207	3008330	1,327	3008331

BR 201 - 1,5 mm



Profile Cross-sectional Properties		X-X			Y-Y		
Product	Cross-sectional area (cm ²)	Moment of Inertia I (cm ⁴)	Section Modulus S (cm ³)	Radius Of Gyration R (cm)	Radius Of Gyration I (cm ⁴)	Section Modulus S (cm ³)	Radius Of Gyration R (cm)
BR 201	1,60	1,01	0,96	0,79	3,89	3,70	1,55

SAFE WORKING LOAD			
L (mm)	Deflexion (mm)	Point	Distributed
		F (kN)	F (kN)
500	2,50	0,72	1,15
750	3,75	0,52	0,83
1000	5,00	0,35	0,56
1250	6,25	0,27	0,43
1500	7,50	0,19	0,30
1750	8,75	0,13	0,20
2000	10,00	0,09	0,14



■ Maximum deflexion L/200 value is not exceeded in the indicated L (mm) size.

- Maximum deflexion L/200 value is not exceeded in the indicated L (mm) size.
- Please contact your representative for inquiries regarding stainless steel alternatives.
- Please contact us for special dimensions.
- Material weights may vary by ± 10%

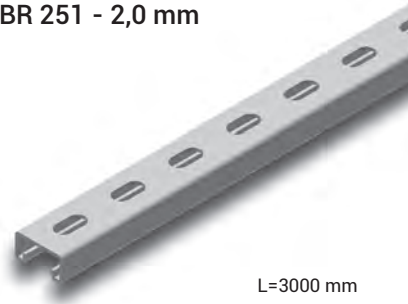
- All dimensions are given as in mm
- PG= Pre-Galvanized
- Please indicate order code in your orders.
- HDG= Hot Dip Galvanized

►►BINRAK CHANNEL (41x21mm)

Pre-Galvanized (TS EN 10346 - TS EN 10143), Hot Dip Galvanized (TS EN ISO 1461)

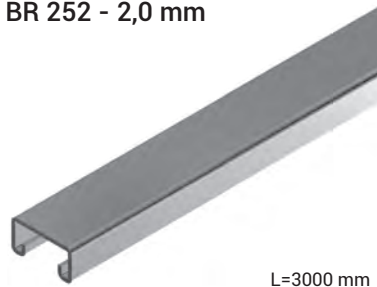
Description	T (mm)	Weight (kg/m)	PG Code	Weight (kg/m)	HDG Code
BR 251 BINRAK	2,0	1,477	3006387	1,624	3006388
BR 252 BINRAK	2,0	1,568	3006391	1,725	3006392

BR 251 - 2,0 mm



L=3000 mm

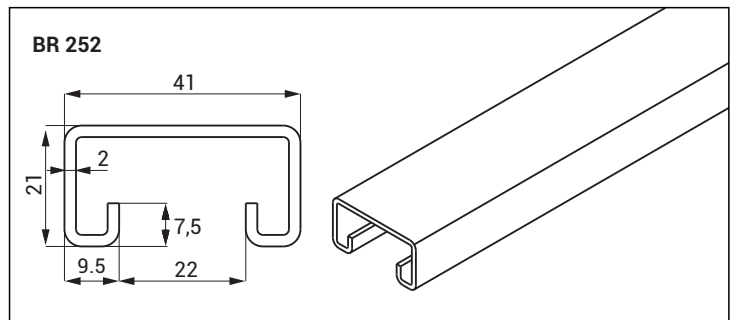
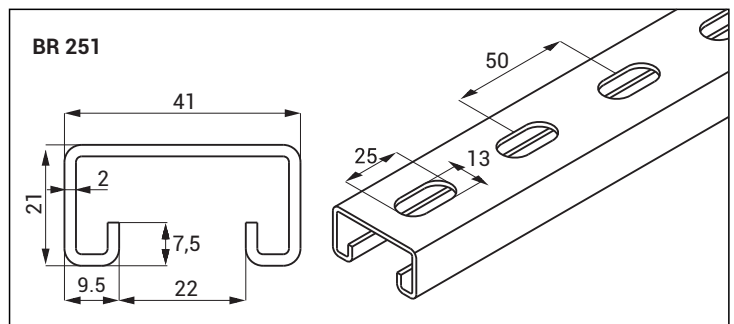
BR 252 - 2,0 mm



L=3000 mm

Profile Cross-sectional Properties		X-X			Y-Y		
Product	Cross-sectional area (cm ²)	Moment of Inertia I (cm ⁴)	Section Modulus S (cm ³)	Radius Of Gyration R (cm)	Radius Of Gyration I (cm ⁴)	Section Modulus S (cm ³)	Radius Of Gyration R (cm)
BR 251 BR 252	1,99	1,17	1,11	0,76	4,70	4,47	1,53

SAFE WORKING LOAD			
L (mm)	Deflexion (mm)	Point	Distributed
		F (kN)	F (kN)
500	2,50	1,10	1,76
750	3,75	0,80	1,28
1000	5,00	0,54	0,86
1250	6,25	0,36	0,57
1500	7,50	0,25	0,40
1750	8,75	0,17	0,27
2000	10,00	0,12	0,23
2250	11,25	0,10	0,16
2500	12,50	0,09	0,14
2750	13,75	0,08	0,12
3000	15,00	0,07	0,11



■ Maximum deflexion L/200 value is not exceeded in the indicated L (mm) size.

■ Maximum deflexion L/200 value is not exceeded in the indicated L (mm) size.

■ Please contact your representative for inquiries regarding stainless steel alternatives.

■ Please contact us for special dimensions.

■ Material weights may vary by ± 10%

■ All dimensions are given as in mm

■ PG= Pre-Galvanized

■ Please indicate order code in your orders.

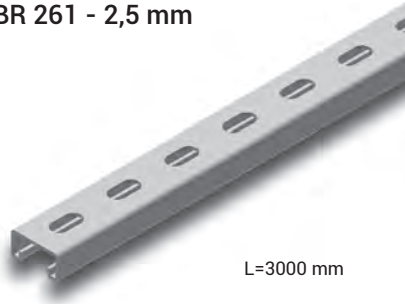
■ HDG= Hot Dip Galvanized

►► BINRAK CHANNEL (41x21 mm)

Pre-Galvanized (TS EN 10346 - TS EN 10143), Hot Dip Galvanized (TS EN ISO 1461)

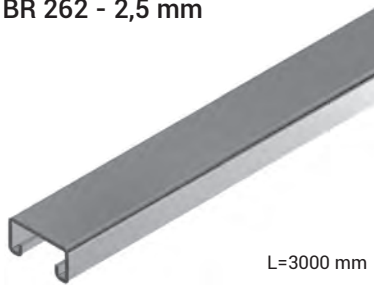
Description	T (mm)	Weight (kg/m)	PG Code	Weight (kg/m)	HDG Code
BR 261 BINRAK	2,5	1,776	3008372	1,952	3008373
BR 262 BINRAK	2,5	1,888	3006393	2,077	3006394

BR 261 - 2,5 mm



L=3000 mm

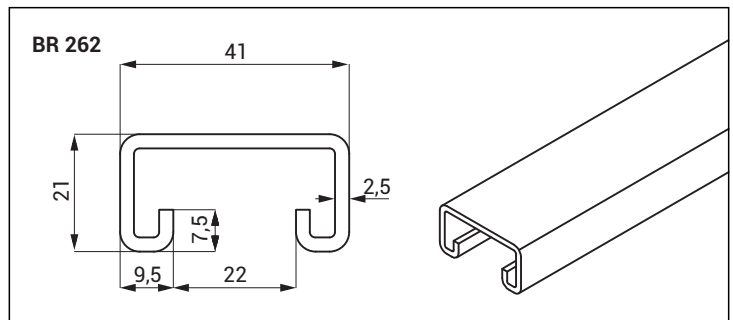
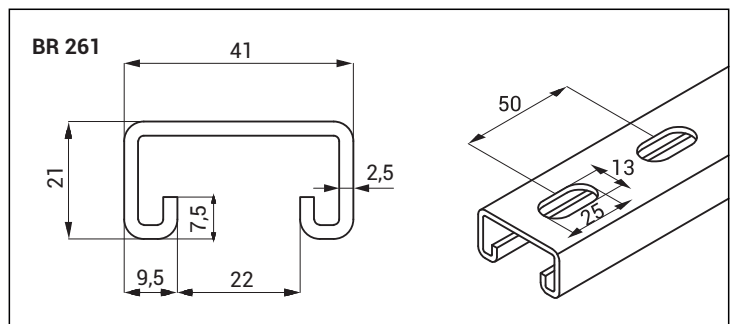
BR 262 - 2,5 mm



L=3000 mm

Profile Cross-sectional Properties		X-X			Y-Y		
Product	Cross-sectional area (cm ²)	Moment of Inertia I (cm ⁴)	Section Modulus S (cm ³)	Radius Of Gyration R (cm)	Radius Of Gyration I (cm ⁴)	Section Modulus S (cm ³)	Radius Of Gyration R (cm)
BR 261 BR 262	2,40	1,32	1,25	0,74	5,54	5,27	1,51

SAFE WORKING LOAD			
L (mm)	Deflexion (mm)	Point F (kN)	Distributed F (kN)
500	2,50	1,22	1,95
750	3,75	1,05	1,68
1000	5,00	0,60	0,96
1250	6,25	0,44	0,70
1500	7,50	0,32	0,51
1750	8,75	0,23	0,36
2000	10,00	0,17	0,27
2250	11,25	0,14	0,22
2500	12,50	0,11	0,17
2750	13,75	0,09	0,14
3000	15,00	0,08	0,12



■ Maximum deflexion L/200 value is not exceeded in the indicated L (mm) size.

■ Maximum deflexion L/200 value is not exceeded in the indicated L (mm) size.

■ Please contact your representative for inquiries regarding stainless steel alternatives.

■ Please contact us for special dimensions.

■ Material weights may vary by ± 10%

■ All dimensions are given as in mm

■ PG= Pre-Galvanized

■ Please indicate order code in your orders.

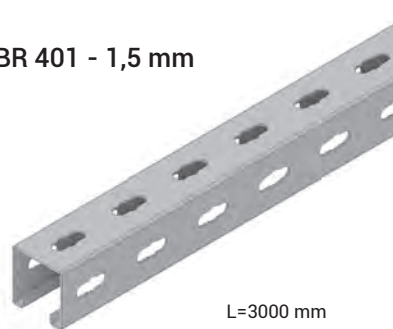
■ HDG= Hot Dip Galvanized

►►BINRAK CHANNEL (41x41mm)

Pre-Galvanized (TS EN 10346 - TS EN 10143), Hot Dip Galvanized (TS EN ISO 1461)

Description	T (mm)	Weight (kg/m)	PG Code	Weight (kg/m)	HDG Code
BR 401 BINRAK	1,5	1,587	3008328	1,745	3008329

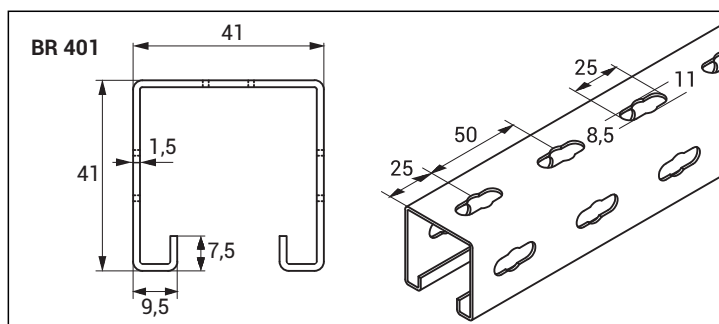
BR 401 - 1,5 mm



L=3000 mm

Profile Cross-sectional Properties		X-X			Y-Y		
Product	Cross-sectional area (cm ²)	Moment of Inertia I (cm ⁴)	Section Modulus S (cm ³)	Radius Of Gyration R (cm)	Radius Of Gyration I (cm ⁴)	Section Modulus S (cm ³)	Radius Of Gyration R (cm)
BR 401	2,17	5,08	2,47	1,52	6,13	5,83	1,68

SAFE WORKING LOAD			
L (mm)	Deflexion (mm)	Point	Distributed
		F (kN)	F (kN)
500	2,50	1,40	2,24
750	3,75	1,30	2,08
1000	5,00	1,20	1,92
1250	6,25	1,06	1,69
1500	7,50	0,90	1,44
1750	8,75	0,68	1,08
2000	10,00	0,50	0,80
2250	11,25	0,38	0,60
2500	12,50	0,30	0,48
2750	13,75	0,24	0,38
3000	15,00	0,20	0,32



■ Maximum deflexion L/200 value is not exceeded in the indicated L (mm) size.

■ Maximum deflexion L/200 value is not exceeded in the indicated L (mm) size.

■ Please contact your representative for inquiries regarding stainless steel alternatives.

■ Please contact us for special dimensions.

■ Material weights may vary by ± 10%

■ All dimensions are given as in mm

■ PG= Pre-Galvanized

■ Please indicate order code in your orders.

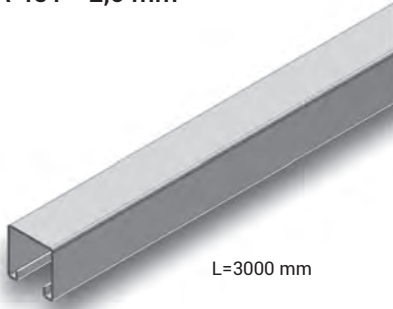
■ HDG= Hot Dip Galvanized

►►BINRAK CHANNEL (41x41mm)

Pre-Galvanized (TS EN 10346 - TS EN 10143), Hot Dip Galvanized (TS EN ISO 1461)

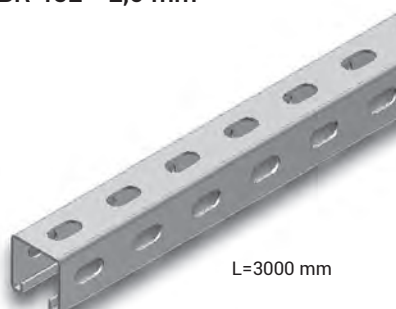
Description	T (mm)	Weight (kg/m)	PG Code	Weight (kg/m)	HDG Code
BR 451 BINRAK	2	2,214	3005459	2,435	3005460
BR 452 BINRAK	2	1,936	3005312	2,130	3005313
BR 453 BINRAK	2	2,122	3006383	2,334	3006384

BR 451 - 2,0 mm



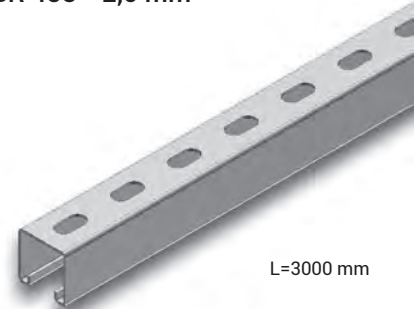
L=3000 mm

BR 452 - 2,0 mm



L=3000 mm

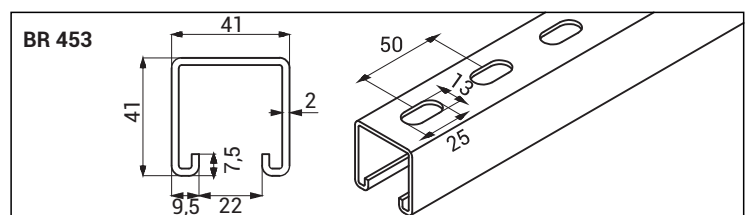
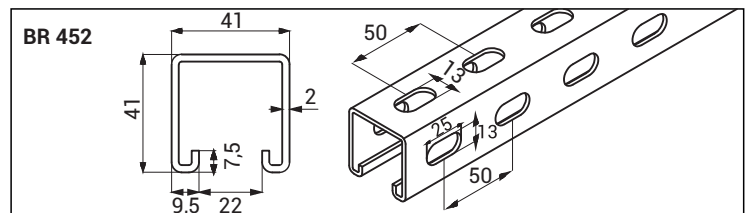
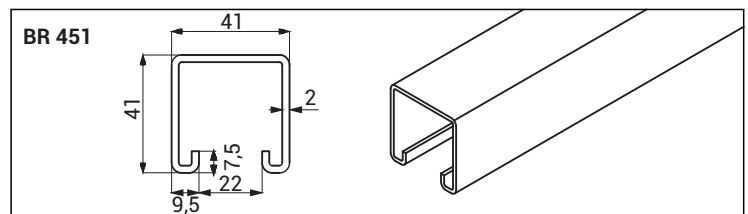
BR 453 - 2,0 mm



L=3000 mm

Profile Cross-sectional Properties		X-X			Y-Y		
Product	Cross-sectional area (cm ²)	Moment of Inertia I (cm ⁴)	Section Modulus S (cm ³)	Radius Of Gyration R (cm)	Radius Of Gyration I (cm ⁴)	Section Modulus S (cm ³)	Radius Of Gyration R (cm)
BR 451 BR 452 BR 453	2,80	6,27	3,05	1,49	7,75	3,78	1,66

SAFE WORKING LOAD			
L (mm)	Deflexion (mm)	Point F (kN)	Distributed F (kN)
500	2,50	3,75	6,00
750	3,75	3,09	4,95
1000	5,00	2,38	3,80
1250	6,25	1,63	2,60
1500	7,50	1,23	1,97
1750	8,75	0,91	1,45
2000	10,00	0,78	1,25
2250	11,25	0,58	0,92
2500	12,50	0,53	0,85
2750	13,75	0,41	0,65
3000	15,00	0,34	0,54



■ Maximum deflexion L/200 value is not exceeded in the indicated L (mm) size.

■ Maximum deflexion L/200 value is not exceeded in the indicated L (mm) size.

■ Please contact your representative for inquiries regarding stainless steel alternatives.

■ Please contact us for special dimensions.

■ Material weights may vary by ± 10%

■ All dimensions are given as in mm

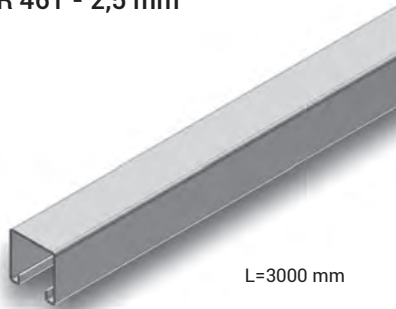
■ PG= Pre-Galvanized

■ Please indicate order code in your orders.

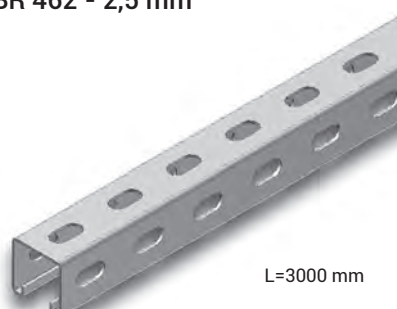
■ HDG= Hot Dip Galvanized

Description	T (mm)	Weight (kg/m)	PG Code	Weight (kg/m)	HDG Code
BR 461 BINRAK	2,5	2,690	3005461	2,959	3005462
BR 462 BINRAK	2,5	2,341	3005314	2,575	3005315
BR 463 BINRAK	2,5	2,578	3006385	2,836	3006386

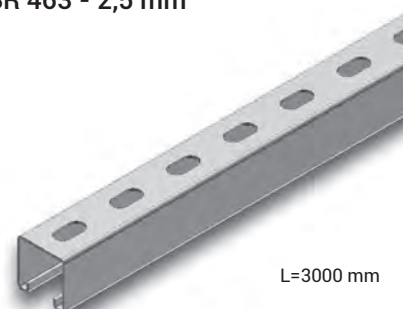
BR 461 - 2,5 mm



BR 462 - 2,5 mm

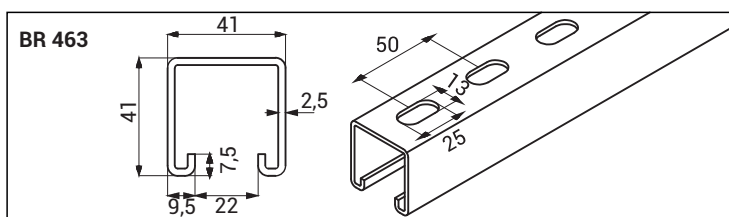
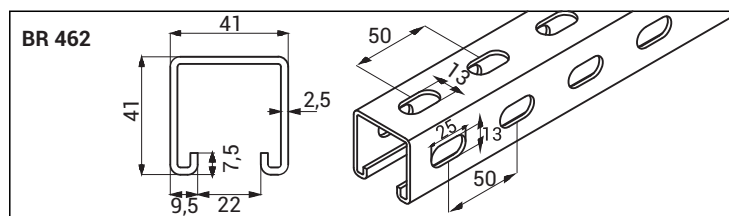
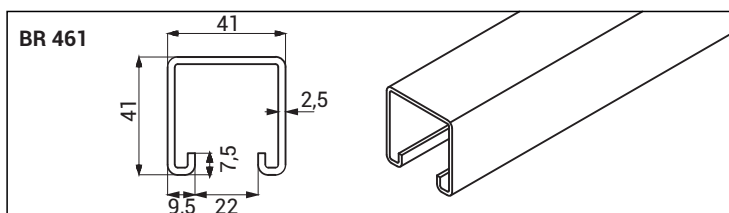


BR 463 - 2,5 mm



Product	Cross-sectional area (cm ²)	X-X			Y-Y		
		Moment of Inertia I (cm ⁴)	Section Modulus S (cm ³)	Radius Of Gyration R (cm)	Radius Of Gyration I (cm ⁴)	Section Modulus S (cm ³)	Radius Of Gyration R (cm)
BR 461 BR 462 BR 463	3,40	7,36	3,59	1,47	9,26	4,51	1,64

SAFE WORKING LOAD			
L (mm)	Deflexion (mm)	Point	Distributed
		F (kN)	F (kN)
500	2,50	6,50	10,40
750	3,75	4,65	7,44
1000	5,00	2,80	4,48
1250	6,25	2,25	3,60
1500	7,50	1,70	2,72
1750	8,75	1,49	2,38
2000	10,00	1,27	2,03
2250	11,25	1,06	1,70
2500	12,50	0,85	1,36
2750	13,75	0,71	1,13
3000	15,00	0,56	0,90



■ Maximum deflexion L/200 value is not exceeded in the indicated L (mm) size.

■ Maximum deflexion L/200 value is not exceeded in the indicated L (mm) size.

■ Please contact your representative for inquiries regarding stainless steel alternatives.

■ Please contact us for special dimensions.

■ Material weights may vary by ± 10%

■ All dimensions are given as in mm

■ Please indicate order code in your orders.

■ PG= Pre-Galvanized

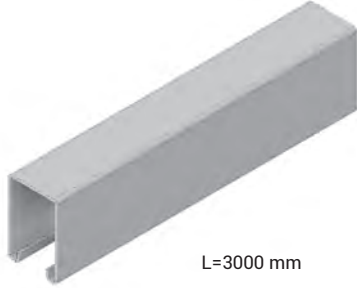
■ HDG= Hot Dip Galvanized

►►BINRAK CHANNEL (41x61mm)

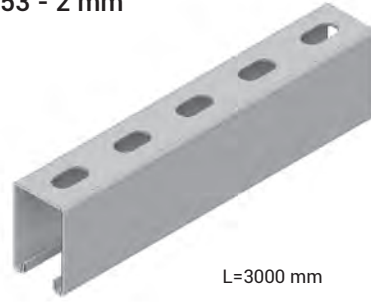
Pre-Galvanized (TS EN 10346 - TS EN 10143), Hot Dip Galvanized (TS EN ISO 1461)

Description	T (mm)	Weight (kg/m)	PG Code	Weight (kg/m)	HDG Code
BR 651 BINRAK	2	2,779	3184140	3,057	3184117
BR 653 BINRAK	2	2,668	3184138	2,957	3184124

BR 651 - 2 mm

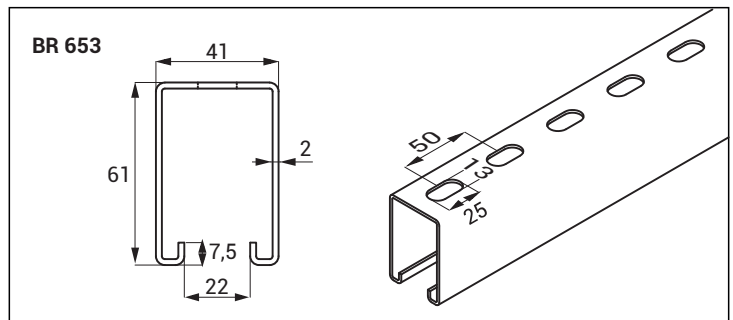
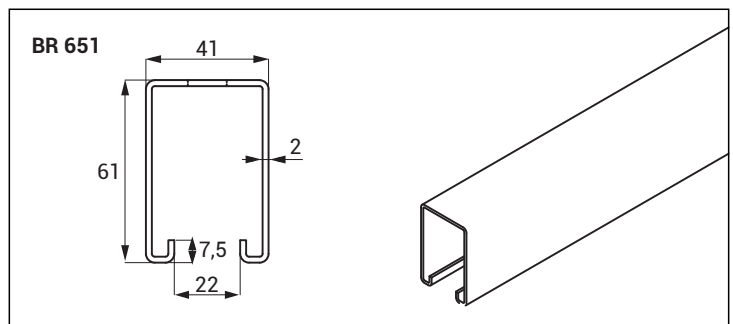


BR 653 - 2 mm



Profile Cross-sectional Properties		X-X			Y-Y		
Product	Cross-sectional area (cm ²)	Moment of Inertia I (cm ⁴)	Section Modulus S (cm ³)	Radius Of Gyration R (cm)	Radius Of Gyration I (cm ⁴)	Section Modulus S (cm ³)	Radius Of Gyration R (cm)
BR 651 BR 653	3,54	16,71	5,07	1,73	10,71	5,22	2,16

SAFE WORKING LOAD			
L (mm)	Deflexion (mm)	Point F (kN)	Distributed F (kN)
500	2,50	7,85	12,57
750	3,75	5,39	8,63
1000	5,00	3,25	5,20
1250	6,25	2,61	4,18
1500	7,50	1,97	3,16
1750	8,75	1,72	2,76
2000	10,00	1,47	2,36
2250	11,25	1,23	1,97
2500	12,50	0,99	1,58
2750	13,75	0,82	1,31
3000	15,00	0,65	1,04



■ Maximum deflexion L/200 value is not exceeded in the indicated L (mm) size.

■ Maximum deflexion L/200 value is not exceeded in the indicated L (mm) size.

■ Please contact your representative for inquiries regarding stainless steel alternatives.

■ Please contact us for special dimensions.

■ Material weights may vary by ± 10%

■ All dimensions are given as in mm

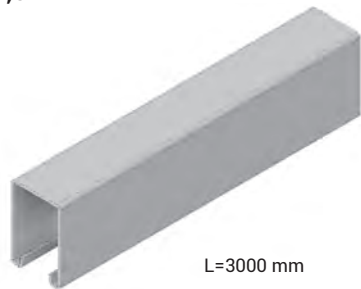
■ PG= Pre-Galvanized

■ Please indicate order code in your orders.

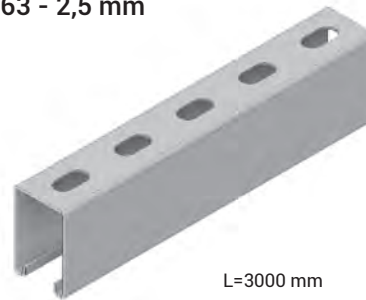
■ HDG= Hot Dip Galvanized

Description	T (mm)	Weight (kg/m)	PG Code	Weight (kg/m)	HDG Code
BR 661 BINRAK	2,5	3,474	3184141	3,821	3184118
BR 663 BINRAK	2,5	3,36	3184139	3,696	3184125

BR 661 - 2,5 mm

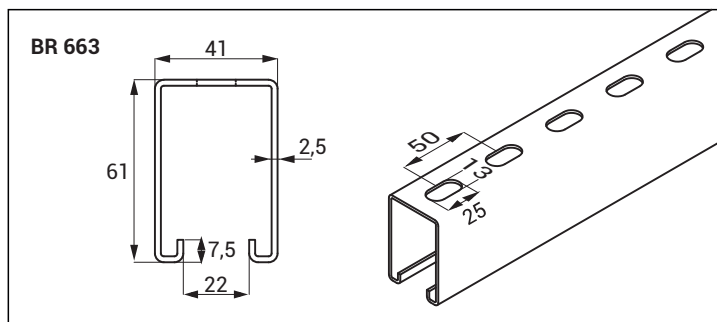
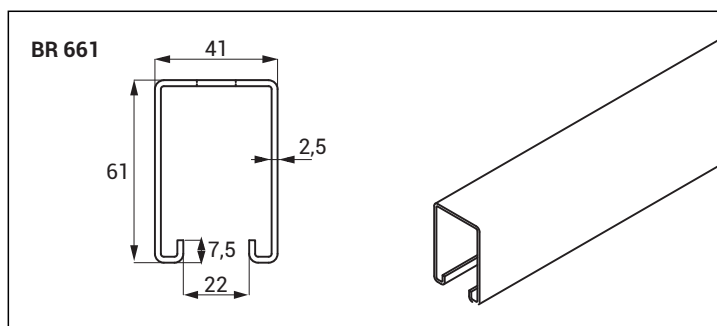


BR 663 - 2,5 mm



Product	Cross-sectional area (cm ²)	X-X			Y-Y		
		Moment of Inertia I (cm ⁴)	Section Modulus S (cm ³)	Radius Of Gyration R (cm)	Radius Of Gyration I (cm ⁴)	Section Modulus S (cm ³)	Radius Of Gyration R (cm)
BR 661 BR 663	4,43	20,21	6,12	1,71	12,96	6,32	2,14

SAFE WORKING LOAD			
L (mm)	Deflexion (mm)	Point	Distributed
		F (kN)	F (kN)
500	2,50	9,43	15,08
750	3,75	6,74	10,79
1000	5,00	4,06	6,50
1250	6,25	3,26	5,22
1500	7,50	2,47	3,94
1750	8,75	2,15	3,45
2000	10,00	1,84	2,95
2250	11,25	1,54	2,46
2500	12,50	1,23	1,97
2750	13,75	1,02	1,64
3000	15,00	0,81	1,30



■ Maximum deflexion L/200 value is not exceeded in the indicated L (mm) size.

■ Maximum deflexion L/200 value is not exceeded in the indicated L (mm) size.

■ Please contact your representative for inquiries regarding stainless steel alternatives.

■ Please contact us for special dimensions.

■ Material weights may vary by ± 10%

■ All dimensions are given as in mm

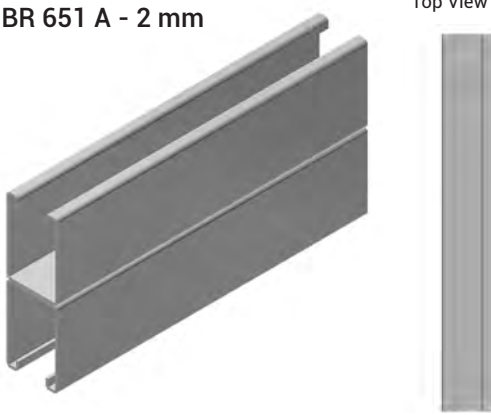
■ PG= Pre-Galvanized

■ Please indicate order code in your orders.

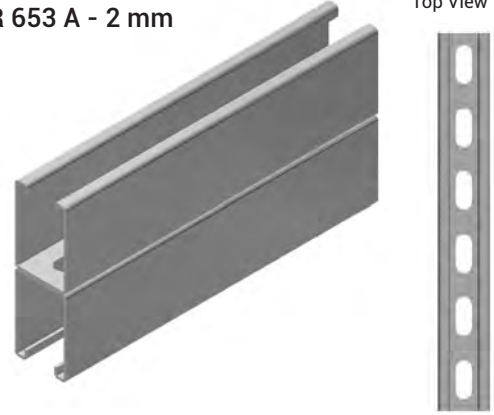
■ HDG= Hot Dip Galvanized

Description	T (mm)	Weight (kg/m)	HDG Code
BR 651 A BINRAK	2	6,114	3184119
BR 653 A BINRAK	2	5,914	3184121

BR 651 A - 2 mm

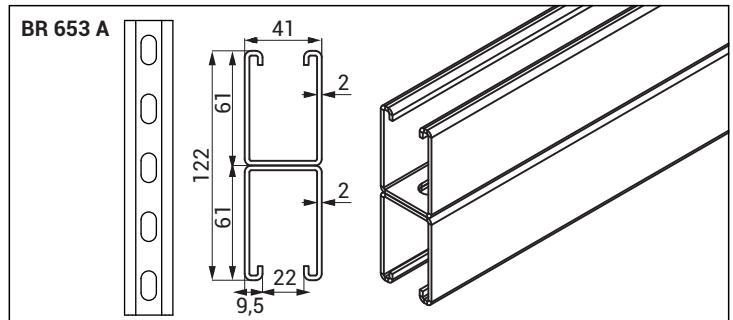
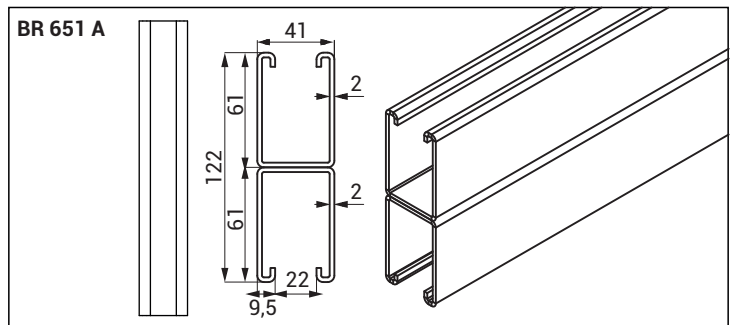


BR 653 A - 2 mm



Profile Cross-sectional Properties		X-X			Y-Y		
Product	Cross-sectional area (cm ²)	Moment of Inertia I (cm ⁴)	Section Modulus S (cm ³)	Radius Of Gyration R (cm)	Radius Of Gyration I (cm ⁴)	Section Modulus S (cm ³)	Radius Of Gyration R (cm)
BR 651 BR 653	7,08	89,78	14,71	1,73	21,42	10,44	3,54

SAFE WORKING LOAD			
L (mm)	Deflexion (mm)	Point	Distributed
		F (kN)	F (kN)
500	2,50	9,21	14,74
750	3,75	7,80	12,48
1000	5,00	6,76	10,81
1250	6,25	5,89	9,42
1500	7,50	5,13	8,21
1750	8,75	3,71	5,94
2000	10,00	3,97	6,36
2250	11,25	3,57	5,71
2500	12,50	3,28	5,25
2750	13,75	2,77	4,43
3000	15,00	2,16	3,46



■ Maximum deflexion L/200 value is not exceeded in the indicated L (mm) size.

■ Please contact your representative for inquiries regarding stainless steel alternatives.

■ Please contact us for special dimensions.

■ Material weights may vary by ± 10%

■ All dimensions are given as in mm

■ PG= Pre-Galvanized

■ Please indicate order code in your orders.

■ HDG= Hot Dip Galvanized

Description	T (mm)	Weight (kg/m)	HDG Code
BR 661 A BINRAK	2,5	7,643	3184120
BR 663 A BINRAK	2,5	7,392	3184122

BR 661 A - 2,5 mm



Top View



BR 663 A - 2,5 mm

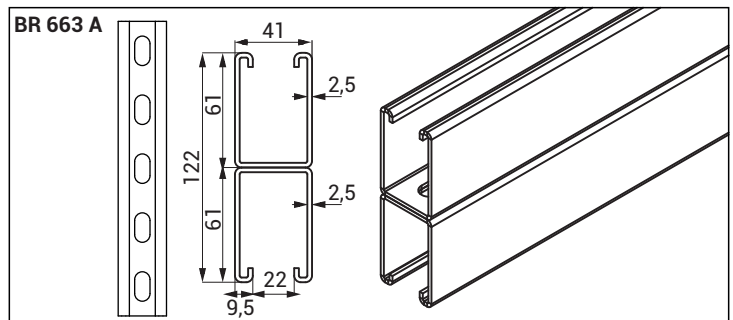
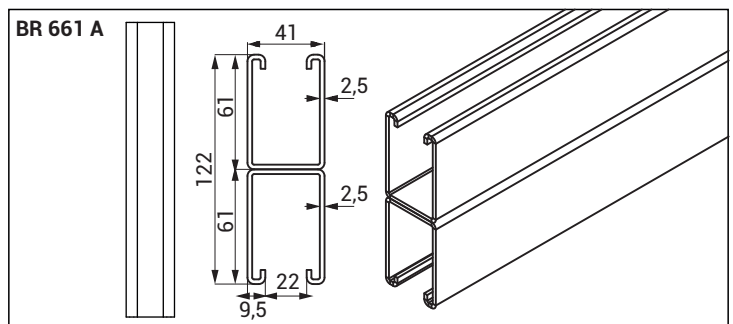


Top View



Profile Cross-sectional Properties		X-X			Y-Y		
Product	Cross-sectional area (cm ²)	Moment of Inertia I (cm ⁴)	Section Modulus S (cm ³)	Radius Of Gyration R (cm)	Radius Of Gyration I (cm ⁴)	Section Modulus S (cm ³)	Radius Of Gyration R (cm)
BR 661 A BR 663 A	8,86	109,33	17,92	1,71	25,93	12,64	1,71

SAFE WORKING LOAD			
L (mm)	Deflexion (mm)	Point	Distributed
		F (kN)	F (kN)
500	2,50	11,06	17,69
750	3,75	9,75	15,60
1000	5,00	8,45	13,51
1250	6,25	7,36	11,77
1500	7,50	6,42	10,27
1750	8,75	4,64	7,42
2000	10,00	4,97	7,95
2250	11,25	4,46	7,13
2500	12,50	4,11	6,57
2750	13,75	3,46	5,54
3000	15,00	2,70	4,32

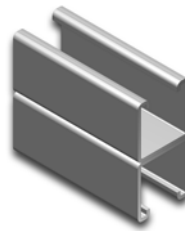
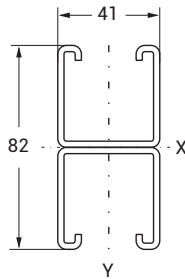


■ Maximum deflexion L/200 value is not exceeded in the indicated L (mm) size.

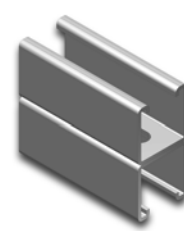
- Please contact your representative for inquiries regarding stainless steel alternatives.
- Please contact us for special dimensions.
- Material weights may vary by ± 10%

- All dimensions are given as in mm
- PG= Pre-Galvanized
- Please indicate order code in your orders.
- HDG= Hot Dip Galvanized

Description	Weight (kg/m)	HDG Code
BR 451 A (41x82x2mm)	4,901	3000219
BR 461 A (41x82x2,5mm)	6,010	3000220
BR 453 A (41x82x2mm)	4,668	3000221
BR 463 A (41x82x2,5mm)	5,672	3000222
BR 452 A (41x82x2mm)	4,259	3000223
BR 462 A (41x82x2,5mm)	5,150	3000224



BR 451 A
BR 461 A



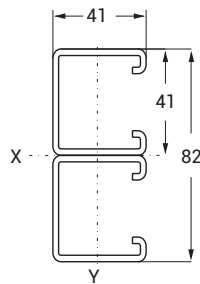
BR 453 A
BR 463 A



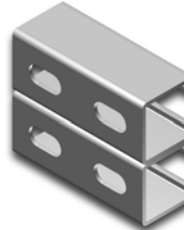
BR 452 A
BR 462 A

L=3000 mm

Description	Weight (kg/m)	HDG Code
BR 451 B (41x82x2mm)	4,901	3000225
BR 461 B (41x82x2,5mm)	6,010	3000226
BR 453 B (41x82x2mm)	4,668	3000227
BR 463 B (41x82x2,5mm)	5,672	3000228
BR 452 B (41x82x2mm)	4,259	3000229
BR 462 B (41x82x2,5mm)	5,150	3000230



BR 451 B
BR 461 B



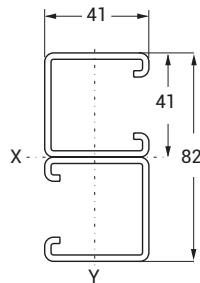
BR 453 B
BR 463 B



BR 452 B
BR 462 B

L=3000 mm

Description	Weight (kg/m)	HDG Code
BR 451 C (41x82x2mm)	4,901	3000231
BR 461 C (41x82x2,5mm)	6,010	3000232
BR 453 C (41x82x2mm)	4,668	3000233
BR 463 C (41x82x2,5mm)	5,672	3000234
BR 452 C (41x82x2mm)	4,259	3000235
BR 462 C (41x82x2,5mm)	5,150	3000236



BR 451 C
BR 461 C



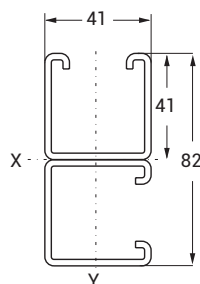
BR 453 C
BR 463 C



BR 452 C
BR 462 C

L=3000 mm

Description	Weight (kg/m)	HDG Code
BR 451 D (41x82x2mm)	4,901	3000237
BR 461 D (41x82x2,5mm)	6,010	3000238
BR 453 D (41x82x2mm)	4,668	3000239
BR 463 D (41x82x2,5mm)	5,672	3000240
BR 452 D (41x82x2mm)	4,259	3000241
BR 462 D (41x82x2,5mm)	5,150	3000242



BR 451 D
BR 461 D



BR 453 D
BR 463 D



BR 452 D
BR 462 D

L=3000 mm

■ Please contact your representative for inquiries regarding stainless steel alternatives.

■ Please contact us for special dimensions.

■ Material weights may vary by ± 10%

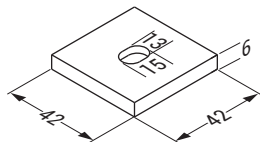
■ All dimensions are given as in mm

■ Please indicate order code in your orders.

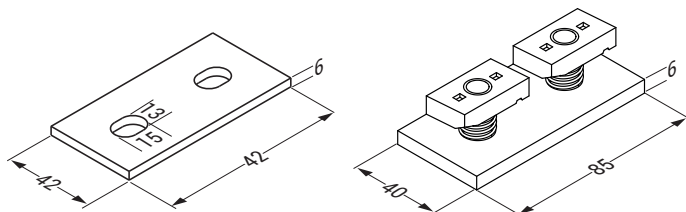
■ PG= Pre-Galvanized

■ HDG= Hot Dip Galvanized

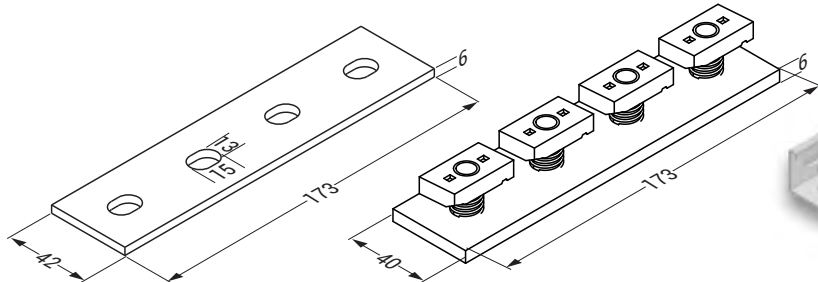
Description	T (mm)	Weight (kg/pcs)	HDG Code
BR 1-1 Square Washer	6	0,080	3000218



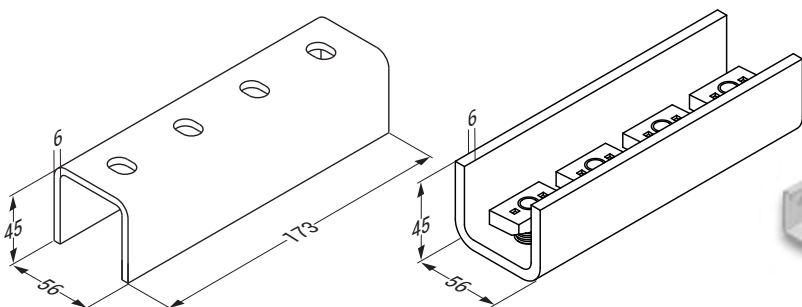
Description	T (mm)	Weight (kg/pcs)	HDG Code
BR 1-2 Two Hole Fitting	6	0,166	3000183
BR 1-2 Two-Hole, Self-Nut Attachment	6	0,286	3136682



Description	T (mm)	Weight (kg/pcs)	HDG Code
BR 1-3 Four Hole Fitting	6	0,330	3000184
BR 1-3 Four Hole, Self-Nut Attachment	6	0,570	3136683



Description	T (mm)	Weight (kg/pcs)	HDG Code
BR 1-4 Four Hole Tunnel Fit.	6	1,138	3000185
BR 1-4 Four-Hole Tunnel, Self-Nut Attachment	6	1,162	3136684



■ Please contact your representative for inquiries regarding stainless steel alternatives.
 ■ Please contact us for special dimensions.
 ■ Material weights may vary by ± 10%

■ All dimensions are given as in mm
 ■ Please indicate order code in your orders.
 ■ PG= Pre-Galvanized
 ■ HDG= Hot Dip Galvanized

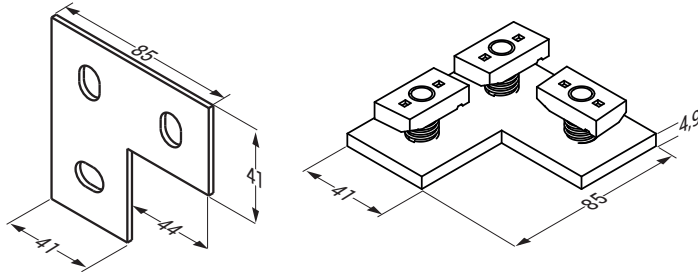
E-LINEBR

►►BINRAK FITTING ACCESSORIES

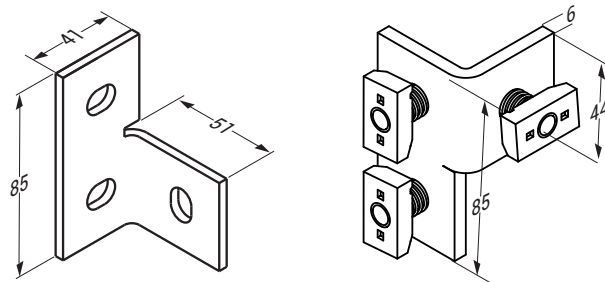
Hot Dip Galvanized (TS EN ISO 1461)



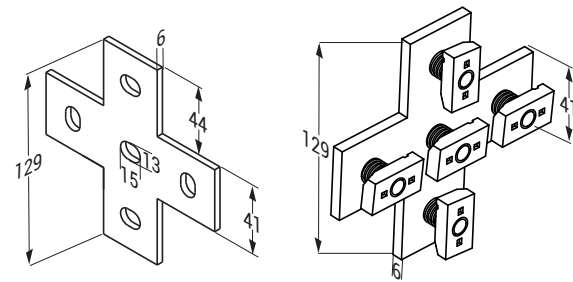
Description	T (mm)	Weight (kg/pcs)	HDG Code
BR 1-5 L Fitting	6	0,249	3000192
BR 1-5 L Self-Nut Fitting	6	0,429	3136677



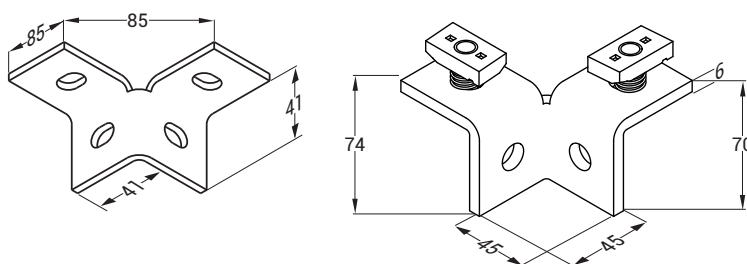
Description	T (mm)	Weight (kg/pcs)	HDG Code
BR 1-6 L Side Fitting	6	0,254	3000195
BR 1-6 L Self-Nut Wing Connection Part	6	0,434	3136678



Description	T (mm)	Weight (kg/pcs)	HDG Code
BR 1-7 "+" Fitting	6	0,410	3000194
BR 1-7 "+" Self-Nut Connection Part	6	0,710	3136679



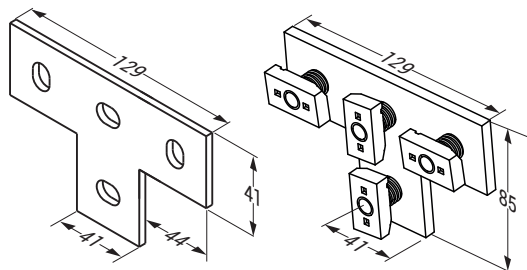
Description	T (mm)	Weight (kg/pcs)	HDG Code
BR 1-8 "W" Side Fitting	6	0,327	3000188
BR 1-8 "W" Wing Self-Nut Connection Part	6	0,567	3136680



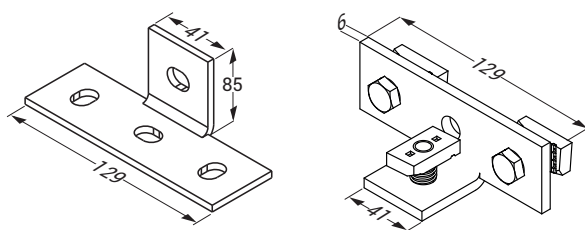
- Please contact your representative for inquiries regarding stainless steel alternatives.
- Please contact us for special dimensions.
- Material weights may vary by $\pm 10\%$

- All dimensions are given as in mm
- PG= Pre-Galvanized
- Please indicate order code in your orders.
- HDG= Hot Dip Galvanized

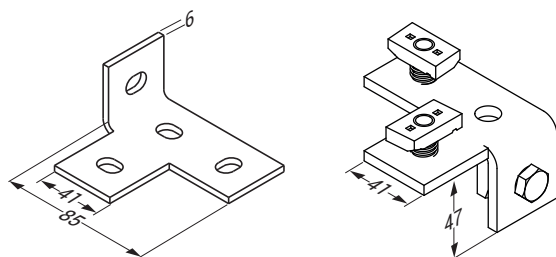
Description	T (mm)	Weight (kg/pcs)	HDG Code
BR 1-9 T Fitting	6	0,320	3000193
BR 1-9 T Self-Nut Fitting	6	0,560	3136673



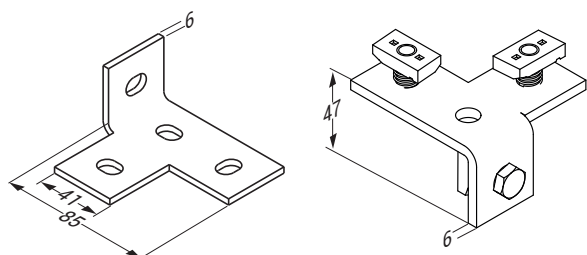
Description	T (mm)	Weight (kg/pcs)	HDG Code
BR 1-10 T Offset Fitting	6	0,320	3000187
BR 1-10 T Offset Connection Self-Nut	6	0,560	3136674



Description	T (mm)	Weight (kg/pcs)	HDG Code
BR 1-11 T Left Offset Fitting (90°)	6	0,320	3000186
BR 1-11 Left Offset Self-Nut Part (90°)	6	0,560	3136675



Description	T (mm)	Weight (kg/pcs)	HDG Code
BR 1-12 T Right Offset Fitting (90°)	6	0,320	3000288
BR 1-12 Right Offset Self-Nut Part (90°)	6	0,560	3136676



- Please contact your representative for inquiries regarding stainless steel alternatives.
- Please contact us for special dimensions.
- Material weights may vary by ± 10%

- All dimensions are given as in mm
- PG= Pre-Galvanized
- Please indicate order code in your orders.
- HDG= Hot Dip Galvanized

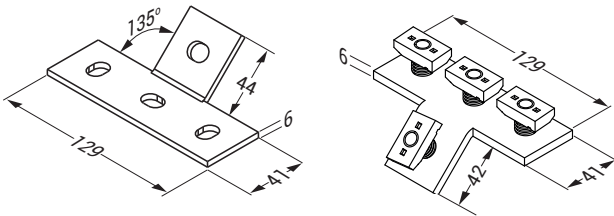
E-LINEBR

►►BINRAK FITTING ACCESSORIES

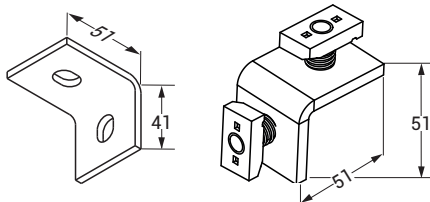
Hot Dip Galvanized (TS EN ISO 1461)



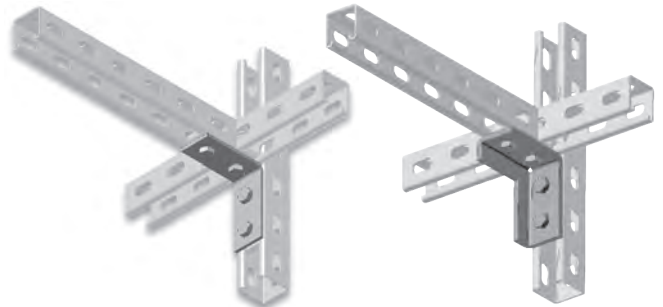
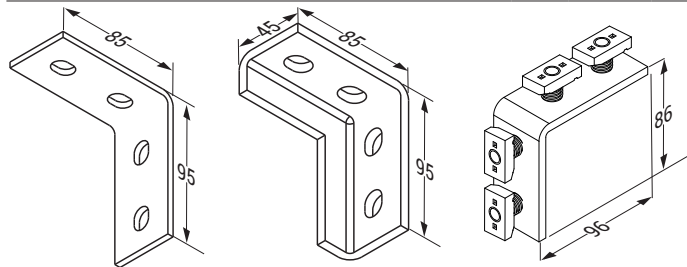
Description	T (mm)	Weight (kg/pcs)	HDG Code
BR 1-13 T 45° Fitting	6	0,320	3000196
BR 1-13 T 45 Self-Nut Fitting	6	0,560	3136668



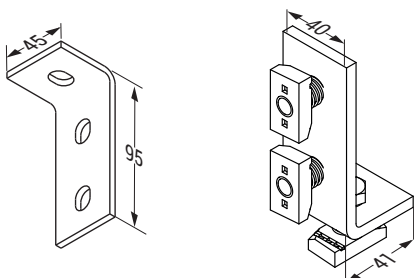
Description	T (mm)	Weight (kg/pcs)	HDG Code
BR 1-14 L Bend Two Hole Fit.	6	0,160	3000198
BR 1-14 L Bend Self-Nut Connection Part	6	0,280	3136669



Description	T (mm)	Weight (kg/pcs)	HDG Code
BR 1-15 L Bend Four Hole Fit.	6	0,323	3000203
BR 1-15 L BR 1-15 L Bend Self-Nut Connection Part	6	0,563	3136670
BR 1-36 Flag L Bend Four Hole Fit.	6	0,482	3125796



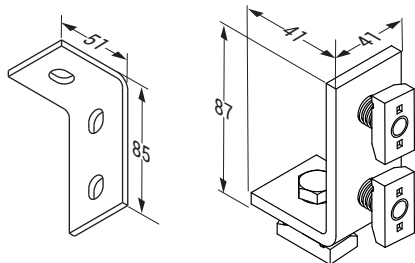
Description	T (mm)	Weight (kg/pcs)	HDG Code
BR 1-16 L Bend Three Hole Fit.	6	0,239	3000199
BR 1-16 L Bend Self-Nut Connection Part	6	0,419	3136672



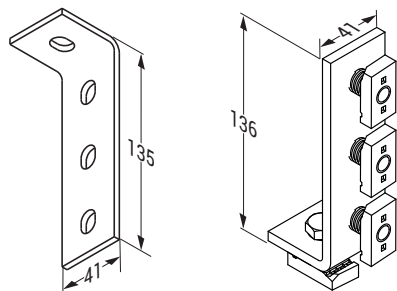
- Please contact your representative for inquiries regarding stainless steel alternatives.
- Please contact us for special dimensions.
- Material weights may vary by ± 10%

- All dimensions are given as in mm
- PG= Pre-Galvanized
- Please indicate order code in your orders.
- HDG= Hot Dip Galvanized

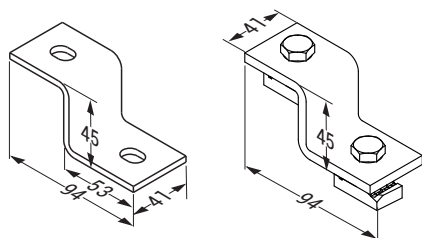
Description	T (mm)	Weight (kg/pcs)	HDG Code
BR 1-17 L Bend Three Hole Fit. 2	6	0,239	3000197
BR 1-17 L Self-Nut Bend Connection Part	6	0,419	3136664



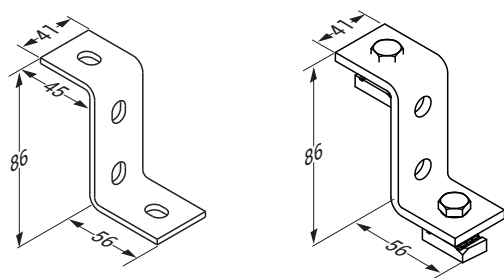
Description	T (mm)	Weight (kg/pcs)	HDG Code
BR 1-18 L Bend Four Hole Fit. 2	6	0,323	3000204
BR 1-18 L Self-Nut Bend Connection Part	6	0,563	3136665



Description	T (mm)	Weight (kg/pcs)	HDG Code
BR 1-19 Z Fitting 1	6	0,239	3000200
BR 1-19 Z Self-Nut Connection Part	6	0,359	3136666



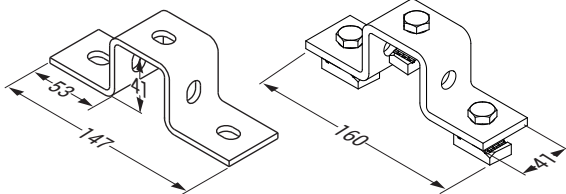
Description	T (mm)	Weight (kg/pcs)	HDG Code
BR 1-20 Z Fitting 2	6	0,315	3000201
BR 1-20 Z Self-Nut Connection Part	6	0,435	3136667



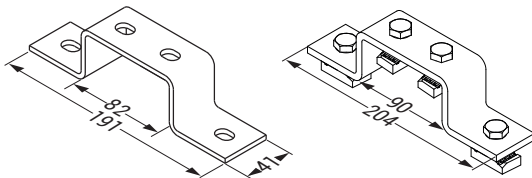
- Please contact your representative for inquiries regarding stainless steel alternatives.
- Please contact us for special dimensions.
- Material weights may vary by $\pm 10\%$

- All dimensions are given as in mm
- PG= Pre-Galvanized
- Please indicate order code in your orders.
- HDG= Hot Dip Galvanized

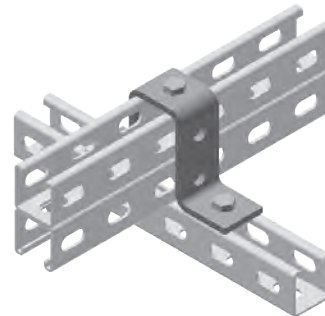
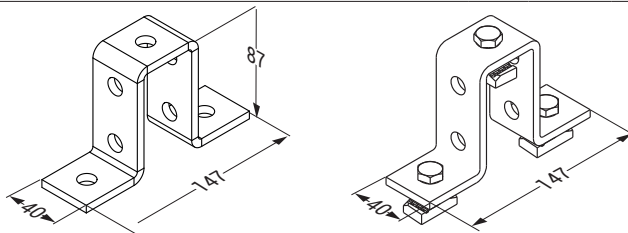
Description	T (mm)	Weight (kg/pcs)	HDG Code
BR 1-21 U Omega Fit. 1	6	0,420	3000202
BR 1-21 U Bridge Self-Nut Connection Part	6	0,600	3136659



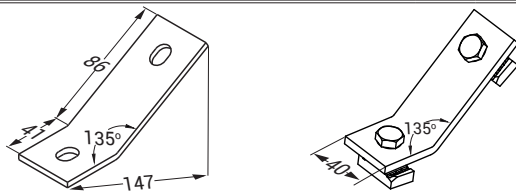
Description	T (mm)	Weight (kg/pcs)	HDG Code
BR 1-22 U Omega Fit. 2	6	0,490	3000189
BR 1-22 U Bridge Self-Nut Connection Part	6	0,730	3136660



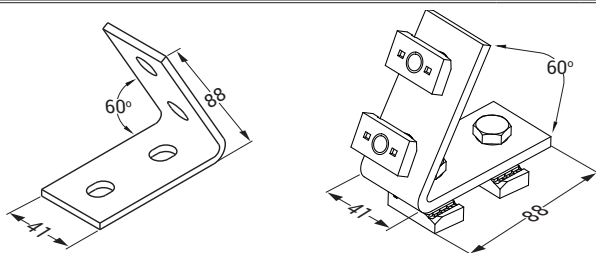
Description	T (mm)	Weight (kg/pcs)	HDG Code
BR 1-35 U Omega Fit. 3	6	0,576	3106387
BR 1-35 U Bridge Self-Nut Connection Part	6	0,756	3136661



Description	T (mm)	Weight (kg/pcs)	HDG Code
BR 1-23 135° Bend Fitting	6	0,251	3000191
BR 1-23 135 Self-Nut Bend Part	6	0,371	3136662



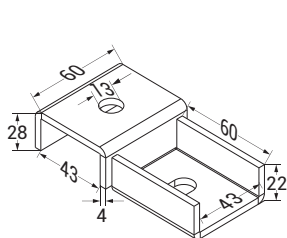
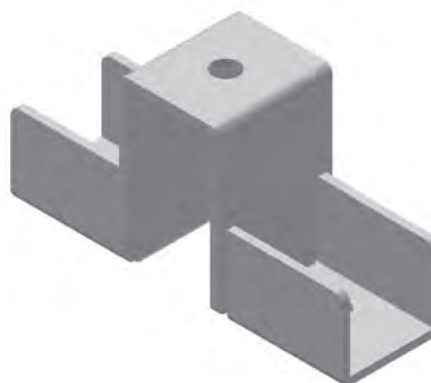
Description	T (mm)	Weight (kg/pcs)	HDG Code
BR 1-24 60° Fitting	6	0,326	3000216
BR 1-24 60 Angular Self-Nut Connection Part	6	0,566	3136663



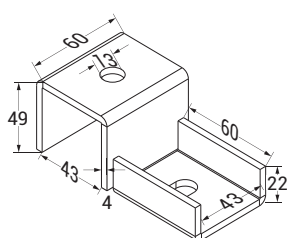
- Please contact your representative for inquiries regarding stainless steel alternatives.
- Please contact us for special dimensions.
- Material weights may vary by ± 10%

- All dimensions are given as in mm
- PG= Pre-Galvanized
- Please indicate order code in your orders.
- HDG= Hot Dip Galvanized

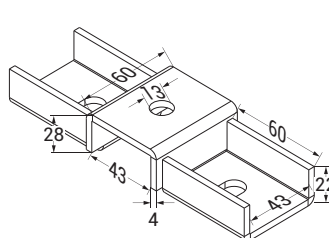
Description	T (mm)	Weight (kg/pcs)	HDG Code
21x21 Cross Connectors-One Way	4	0,350	3136608
42x21 Cross Connectors-One Way	4	0,430	3136609
41x41 Cross Connectors-One Way	4	0,520	3136610
82x41 Cross Connectors-One Way	4	0,680	3136611
21x21 Cross Connectors-Two Way	4	0,520	3136612
42x21 Cross Connectors-Two Way	4	0,610	3136613
41x41 Cross Connectors-Two Way	4	0,770	3136614
82x41 Cross Connectors-Two Way	4	0,930	3136615



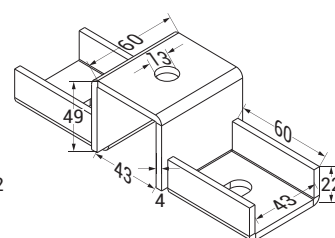
21x21
Cross Connectors-One Way



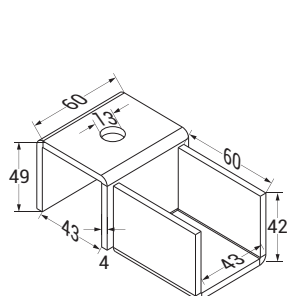
42x21
Cross Connectors-One Way



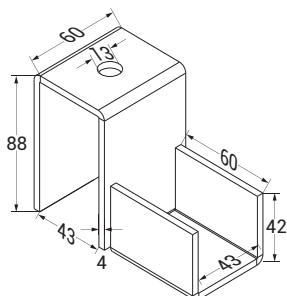
21x21
Cross Connectors - Two Way



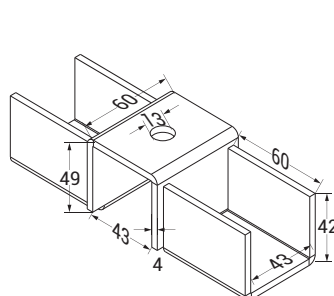
42x21
Cross Connectors - Two Way



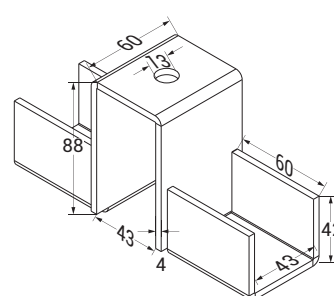
41x41
Cross Connectors-One Way



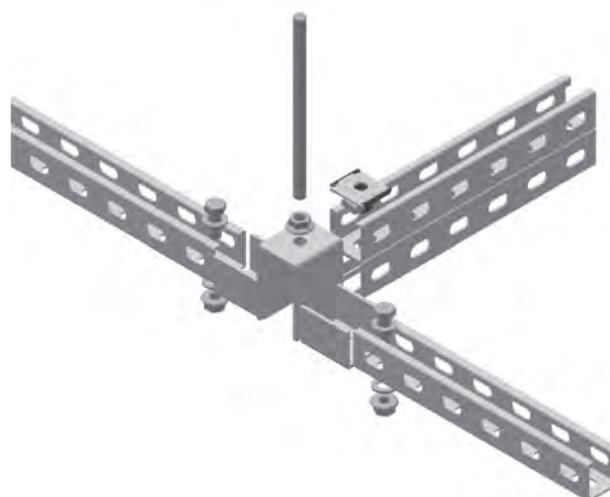
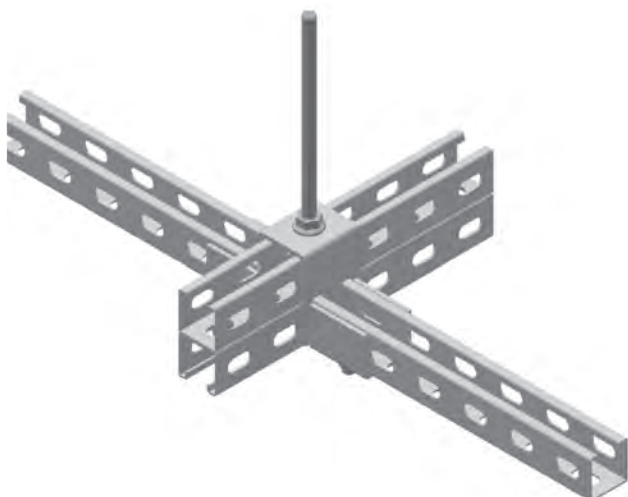
82x41
Cross Connectors-One Way



42x41
Cross Connectors - Two Way



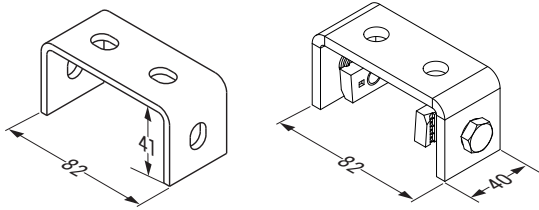
82x41
Cross Connectors - Two Way



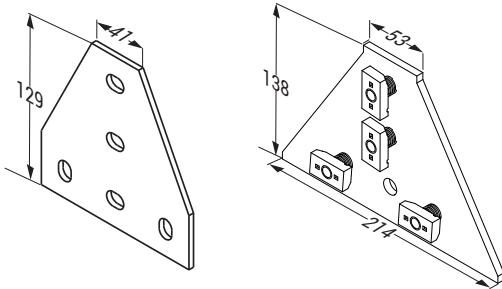
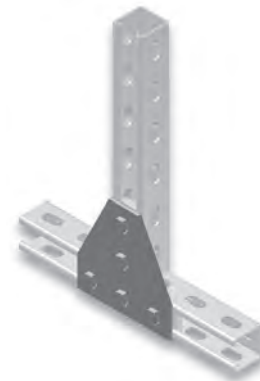
- Please contact your representative for inquiries regarding stainless steel alternatives.
- Please contact us for special dimensions.
- Material weights may vary by ± 10%

- All dimensions are given as in mm
- PG= Pre-Galvanized
- Please indicate order code in your orders.
- HDG= Hot Dip Galvanized

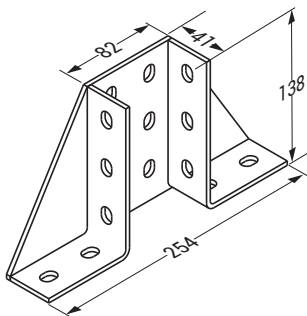
Description	T (mm)	Weight (kg/pcs)	HDG Code
BR 1-25 U Cross Connectors	6	0,331	3000190
BR 1-25 U Self-Nut Connection Part 82	6	0,451	3136655



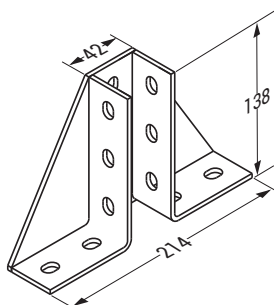
Description	T (mm)	Weight (kg/pcs)	HDG Code
BR 1-26 Gusset Fitting	6	0,814	3000217
BR 1-26 Leaf Self-Nut Connection Part With Nut	6	1,072	3136656



Description	T (mm)	Weight (kg/pcs)	HDG Code
BR 1-27 Flag Fixing 82mm	6	2,037	3000206



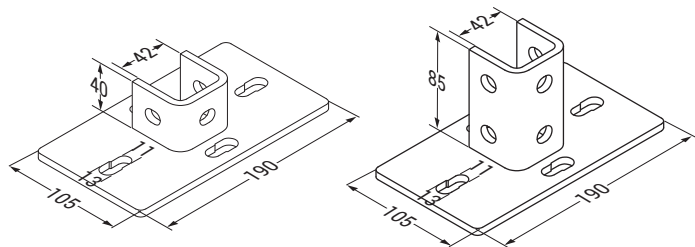
Description	T (mm)	Weight (kg/pcs)	HDG Code
BR 1-28 Flag Fixing 41mm	6	1,798	3000205



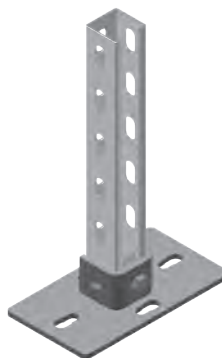
- Please contact your representative for inquiries regarding stainless steel alternatives.
- Please contact us for special dimensions.
- Material weights may vary by $\pm 10\%$

- All dimensions are given as in mm
- PG= Pre-Galvanized
- Please indicate order code in your orders.
- HDG= Hot Dip Galvanized

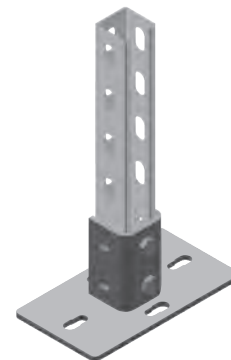
Description	T (mm)	Weight (kg/pcs)	HDG Code
BR 1-29 Base Fixing Single	6	1,205	3000208
BR 1-30 Base Fixing Single	6	1,481	3000209



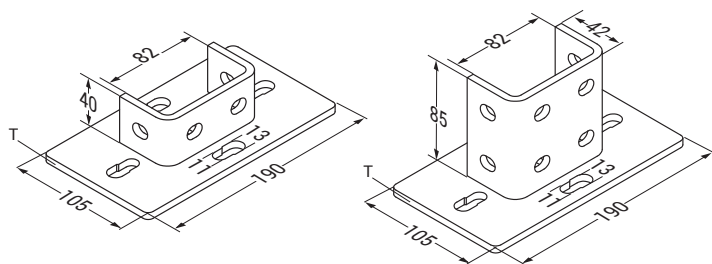
BR 1-29



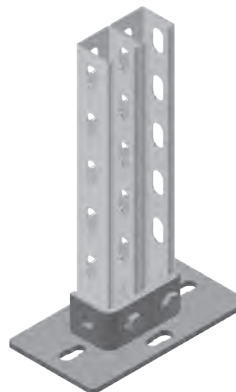
BR 1-30



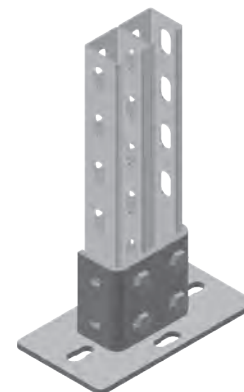
Description	T (mm)	Weight (kg/pcs)	HDG Code
BR 1-31 Base Fixing Double	6	1,281	3000211
BR 1-32 Base Fixing Double	6	1,650	3000212



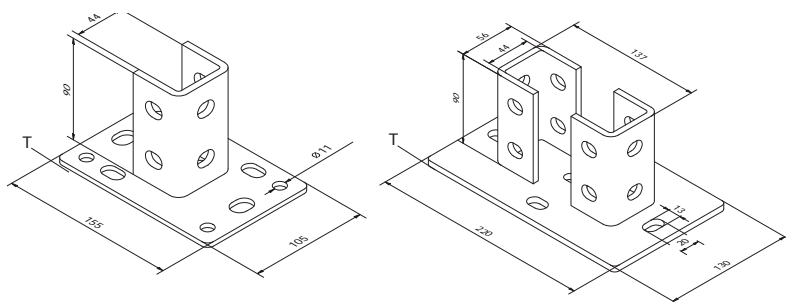
BR 1-31



BR 1-32



Description	T (mm)	Weight (kg/pcs)	HDG Code
BR 1-34 Base Fixing Double	4	1,159	3377031
BR 1-35 Base Fixing Double	6	2,025	3377032



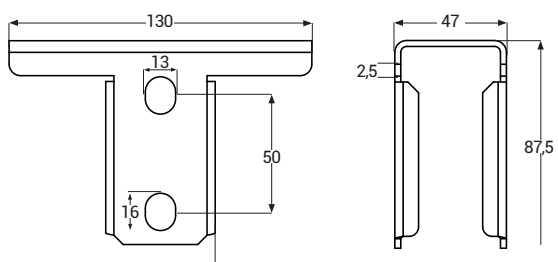
BR 1-34



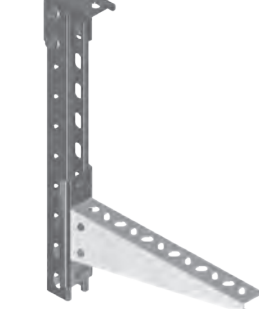
BR 1-35



Description	T (mm)	Weight (kg/pcs)	PG Code
BR 1-33 Base Fixing Single	2,5	0,317	3333453



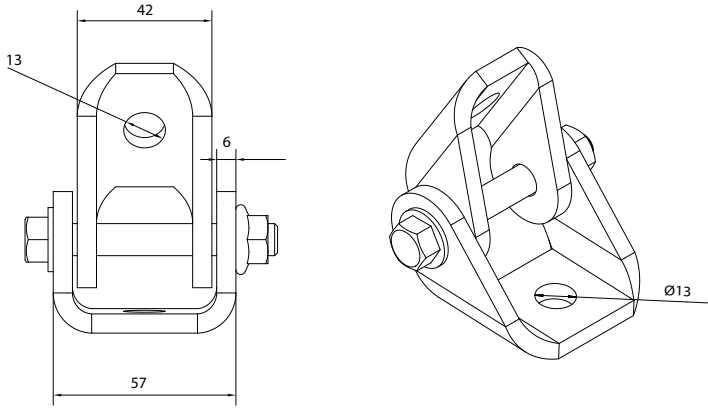
BR 1-33



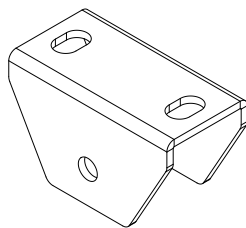
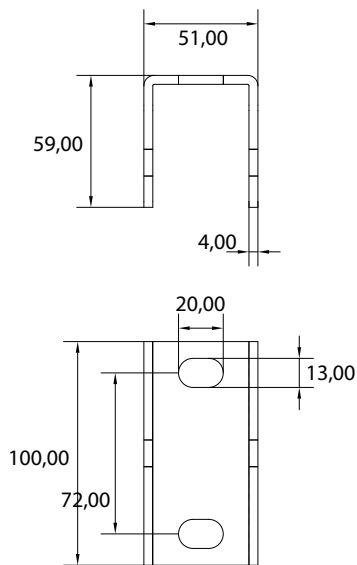
- Please contact your representative for inquiries regarding stainless steel alternatives.
- Please contact us for special dimensions.
- Material weights may vary by ± 10%

- All dimensions are given as in mm
- PG= Pre-Galvanized
- Please indicate order code in your orders.
- HDG= Hot Dip Galvanized

Description	T (mm)	Weight (kg/pcs)	HDG Code
BR 1-38 Fitting (SIC.D)(6MM)	6	0,385	3338233



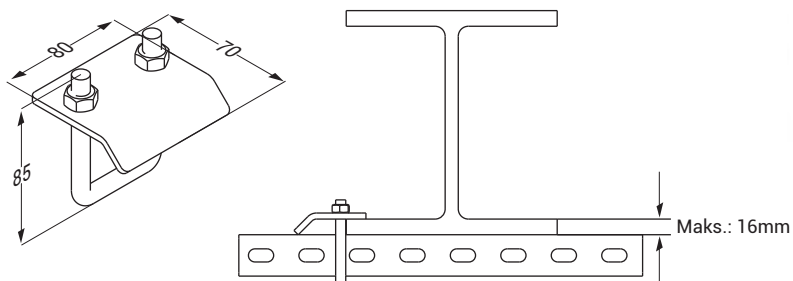
Description	T (mm)	Weight (kg/pcs)	HDG Code
BR 1-39 Base Binrak Fitting (4MM)	4	0,446	3363940



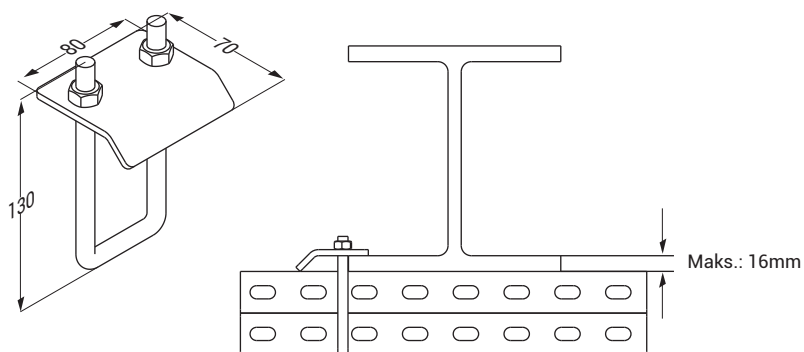
- Please contact your representative for inquiries regarding stainless steel alternatives.
- Please contact us for special dimensions.
- Material weights may vary by ± 10%

- All dimensions are given as in mm
- PG= Pre-Galvanized
- Please indicate order code in your orders.
- HDG= Hot Dip Galvanized

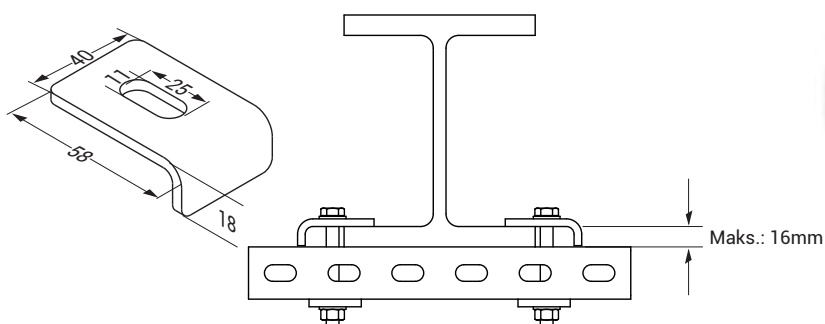
Description	T (mm)	Weight (kg/pcs)	HDG Code
BR 1-33 Beam Clamp (41x41mm)	6	0,473	3000207



Description	T (mm)	Weight (kg/pcs)	HDG Code
BR 1-34 Beam Clamp (41x82mm)	6	0,563	3000213



Description	T (mm)	Weight (kg/pcs)	PG Code
TP 2 Fixing Part (ALKALINE ZINC)	6	0,134	3006350



■ The order code includes M10 x 90 bolts and M10 square nuts.

■ Please contact your representative for inquiries regarding stainless steel alternatives.

■ Please contact us for special dimensions.

■ Material weights may vary by ± 10%

■ All dimensions are given as in mm

■ Please indicate order code in your orders.

■ PG= Pre-Galvanized

■ HDG= Hot Dip Galvanized

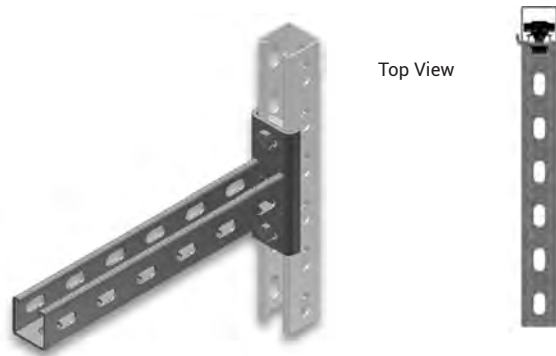
E-LINEBR

►► BINRAK SUPPORT WITH HOLES

Hot Dip Galvanized (TS EN ISO 1461)



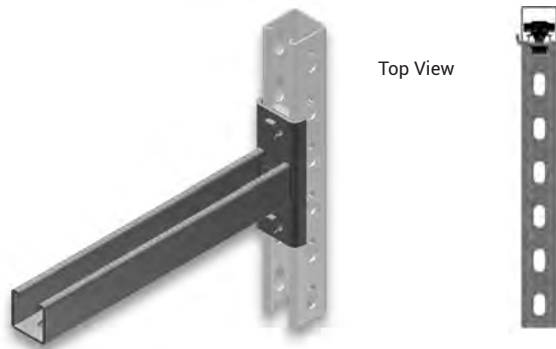
Description	A (mm)	T (mm)	Weight (kg/pcs)	HDG Code
BR 2-100	150	2	0,588	3000210
BR 2-150	200	2	0,695	3000243
BR 2-200	250	2	0,801	3000244
BR 2-250	300	2	0,908	3000245
BR 2-300	350	2	1,014	3000246
BR 2-400	450	2	1,227	3000247
BR 2-500	550	2	1,440	3000248
BR 2-600	650	2	1,653	3000249



► Binrak Support With Single Holes

Hot Dip Galvanized (TS EN ISO 1461)

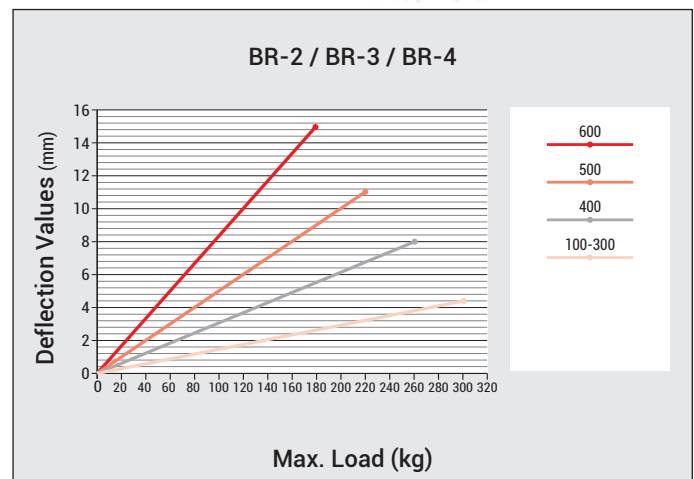
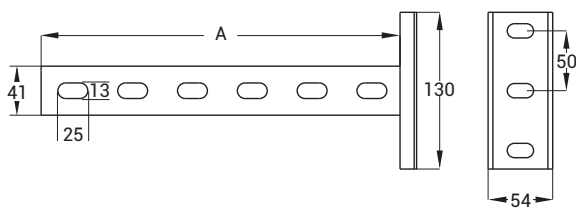
Description	A (mm)	T (mm)	Weight (kg/pcs)	HDG Code
BR 3-100	150	2	0,627	3000214
BR 3-150	200	2	0,749	3000250
BR 3-200	250	2	0,865	3000251
BR 3-250	300	2	0,959	3000252
BR 3-300	350	2	1,073	3000253
BR 3-400	450	2	1,299	3000254
BR 3-500	550	2	1,525	3000255
BR 3-600	650	2	1,751	3000256



► Binrak Support Without Holes

Hot Dip Galvanized (TS EN ISO 1461)

Description	A (mm)	T (mm)	Weight (kg/pcs)	HDG Code
BR 4-100	150	2	0,634	3000215
BR 4-150	200	2	0,752	3000257
BR 4-200	250	2	0,871	3000258
BR 4-250	300	2	0,988	3000259
BR 4-300	350	2	1,107	3000260
BR 4-400	450	2	1,344	3000261
BR 4-500	550	2	1,579	3000262
BR 4-600	650	2	1,815	3000263



■ Please contact your representative for inquiries regarding stainless steel alternatives.

■ Please contact us for special dimensions.

■ Material weights may vary by ± 10%

■ All dimensions are given as in mm

■ PG= Pre-Galvanized

■ Please indicate order code in your orders.

■ HDG= Hot Dip Galvanized

►►BINRAK DOUBLE SUPPORT WITH HOLES

Hot Dip Galvanized (TS EN ISO 1461)

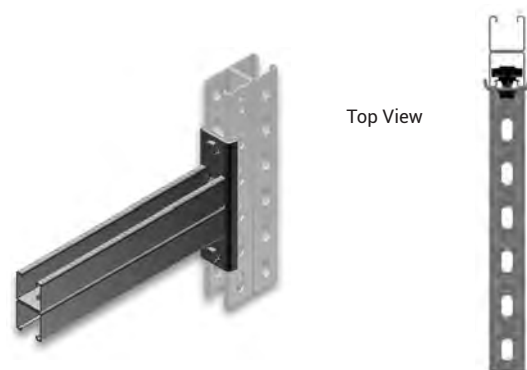
Description	A (mm)	T (mm)	Weight (kg/pcs)	HDG Code
BR 5-100	150	2	1,011	3000264
BR 5-150	200	2	1,221	3000265
BR 5-200	250	2	1,433	3000266
BR 5-250	300	2	1,646	3000267
BR 5-300	350	2	1,859	3000268
BR 5-400	450	2	2,276	3000269
BR 5-500	550	2	2,710	3000270
BR 5-600	650	2	3,136	3000271



►Binrak Double Support With Single Holes

Hot Dip Galvanized (TS EN ISO 1461)

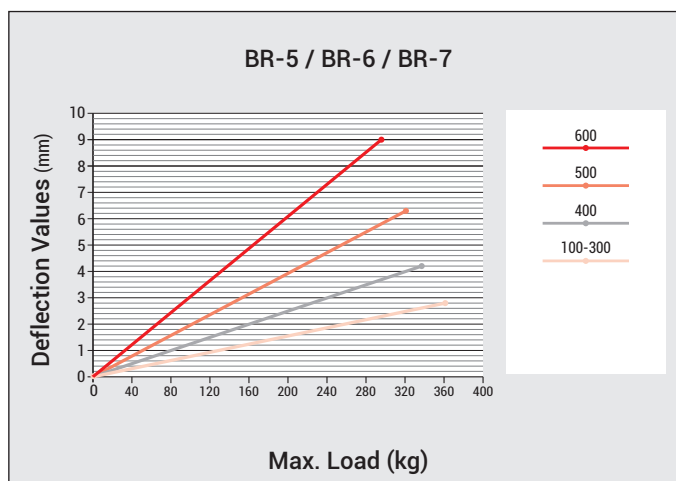
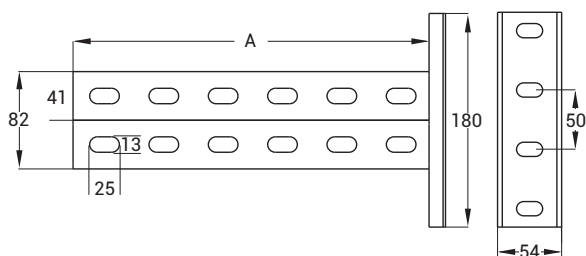
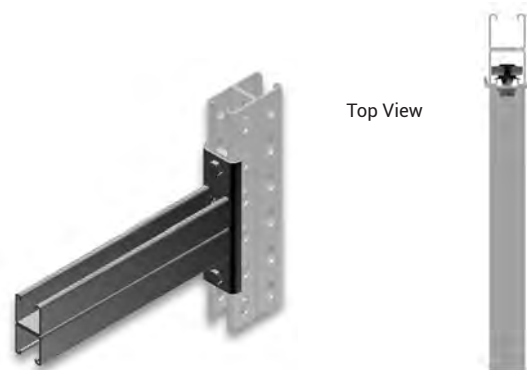
Description	A (mm)	T (mm)	Weight (kg/pcs)	HDG Code
BR 6-100	150	2	1,069	3000272
BR 6-150	200	2	1,302	3000273
BR 6-200	250	2	1,535	3000274
BR 6-250	300	2	1,768	3000275
BR 6-300	350	2	2,001	3000276
BR 6-400	450	2	2,467	3000277
BR 6-500	550	2	2,933	3000278
BR 6-600	650	2	3,399	3000279



►Binrak Double Support Without Holes

Hot Dip Galvanized (TS EN ISO 1461)

Description	A (mm)	T (mm)	Weight (kg/pcs)	HDG Code
BR 7-100	150	2	1,089	3000280
BR 7-150	200	2	1,326	3000281
BR 7-200	250	2	1,421	3000282
BR 7-250	300	2	1,800	3000283
BR 7-300	350	2	2,036	3000284
BR 7-400	450	2	2,510	3000285
BR 7-500	550	2	2,985	3000286
BR 7-600	650	2	3,457	3000287



- Please contact your representative for inquiries regarding stainless steel alternatives.
- Please contact us for special dimensions.
- Material weights may vary by $\pm 10\%$

- All dimensions are given as in mm
- PG= Pre-Galvanized
- Please indicate order code in your orders.
- HDG= Hot Dip Galvanized

►► BINRAK SUPPORT WITH HOLES

Hot Dip Galvanized (TS EN ISO 1461)

Description	A (mm)	T (mm)	Weight (kg/pcs)	HDG Code
BR 2-D-100	150	2	0,588	3110929
BR 2-D-150	200	2	0,695	3110930
BR 2-D-200	250	2	0,801	3110931
BR 2-D-250	300	2	0,908	3110932
BR 2-D-300	350	2	1,014	3110933
BR 2-D-400	450	2	1,227	3110934
BR 2-D-500	550	2	1,440	3110935
BR 2-D-600	650	2	1,653	3110936



► Binrak Support With Single Holes

Hot Dip Galvanized (TS EN ISO 1461)

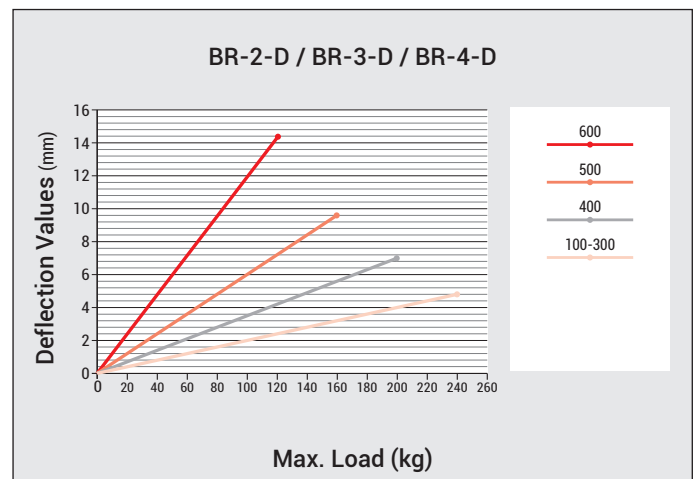
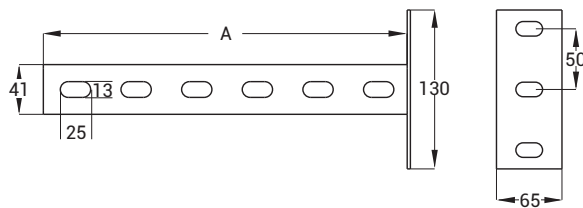
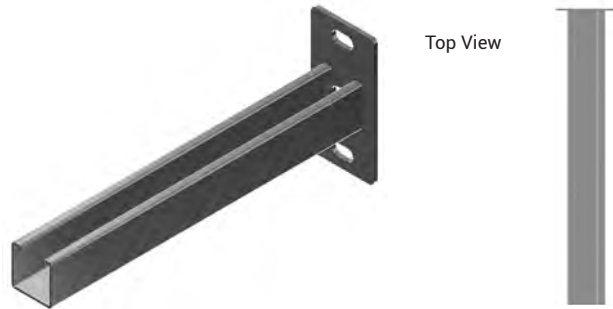
Description	A (mm)	T (mm)	Weight (kg/pcs)	HDG Code
BR 3-D-100	150	2	0,627	3110937
BR 3-D-150	200	2	0,749	3110938
BR 3-D-200	250	2	0,865	3110939
BR 3-D-250	300	2	0,959	3110940
BR 3-D-300	350	2	1,073	3110941
BR 3-D-400	450	2	1,299	3110942
BR 3-D-500	550	2	1,525	3110943
BR 3-D-600	650	2	1,751	3110944



► Binrak Support Without Holes

Hot Dip Galvanized (TS EN ISO 1461)

Description	A (mm)	T (mm)	Weight (kg/pcs)	HDG Code
BR 4-D-100	150	2	0,634	3110945
BR 4-D-150	200	2	0,752	3110946
BR 4-D-200	250	2	0,871	3110947
BR 4-D-250	300	2	0,988	3110948
BR 4-D-300	350	2	1,107	3110949
BR 4-D-400	450	2	1,344	3110950
BR 4-D-500	550	2	1,579	3110951
BR 4-D-600	650	2	1,815	3110952



■ Please contact your representative for inquiries regarding stainless steel alternatives.

■ Please contact us for special dimensions.

■ Material weights may vary by ± 10%

■ All dimensions are given as in mm

■ PG= Pre-Galvanized

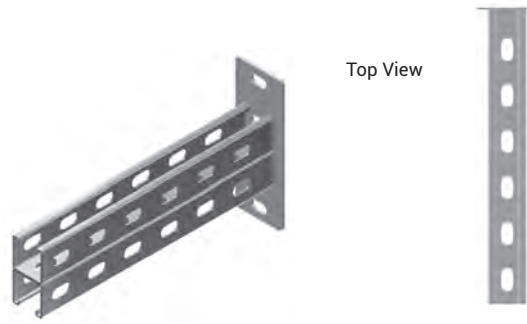
■ Please indicate order code in your orders.

■ HDG= Hot Dip Galvanized

►►BINRAK DOUBLE SUPPORT WITH HOLES

Hot Dip Galvanized (TS EN ISO 1461)

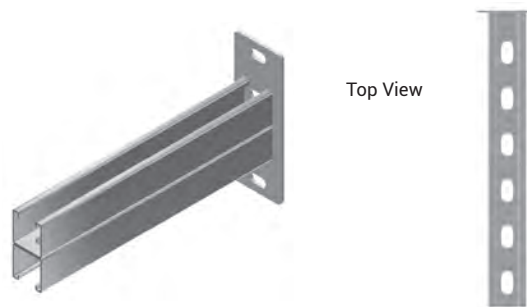
Description	A (mm)	T (mm)	Weight (kg/pcs)	HDG Code
BR 5-D-100	150	2	1,011	3110953
BR 5-D-150	200	2	1,221	3110954
BR 5-D-200	250	2	1,433	3110955
BR 5-D-250	300	2	1,646	3110956
BR 5-D-300	350	2	1,859	3110957
BR 5-D-400	450	2	2,276	3110958
BR 5-D-500	550	2	2,710	3110959
BR 5-D-600	650	2	3,136	3110960



►►BINRAK DOUBLE SUPPORT WITH SINGLE HOLES

Hot Dip Galvanized (TS EN ISO 1461)

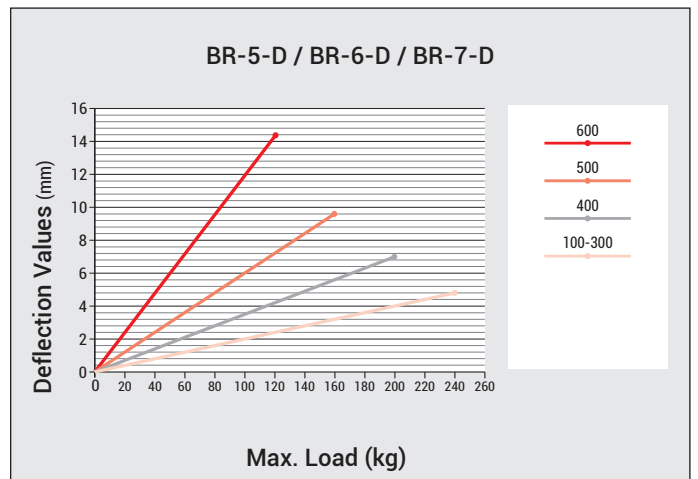
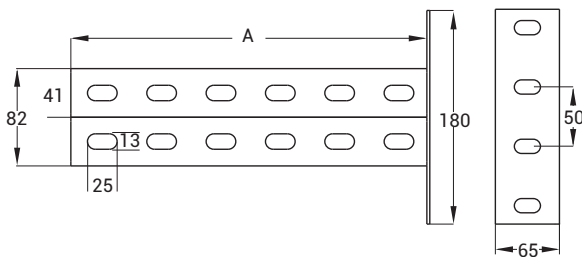
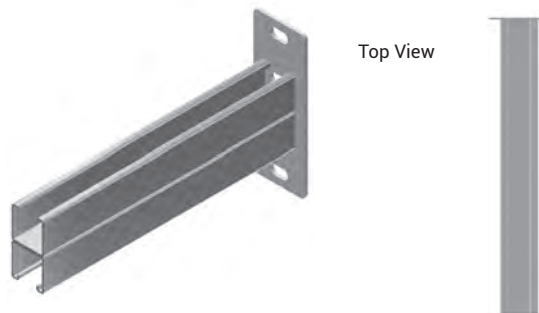
Description	A (mm)	T (mm)	Weight (kg/pcs)	HDG Code
BR 6-D-100	150	2	1,069	3110961
BR 6-D-150	200	2	1,302	3110962
BR 6-D-200	250	2	1,535	3110963
BR 6-D-250	300	2	1,768	3110964
BR 6-D-300	350	2	2,001	3110965
BR 6-D-400	450	2	2,467	3110966
BR 6-D-500	550	2	2,933	3110967
BR 6-D-600	650	2	3,399	3110968



►►BINRAK DOUBLE SUPPORT WITHOUT HOLES

Hot Dip Galvanized (TS EN ISO 1461)

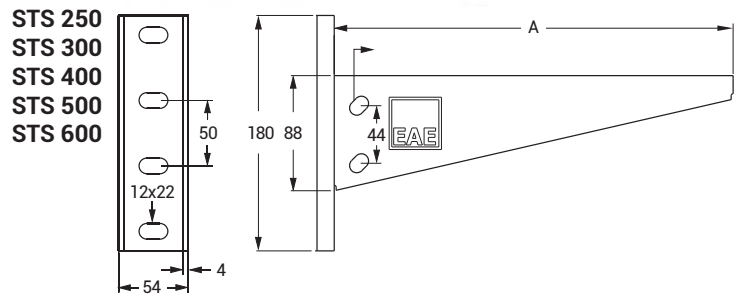
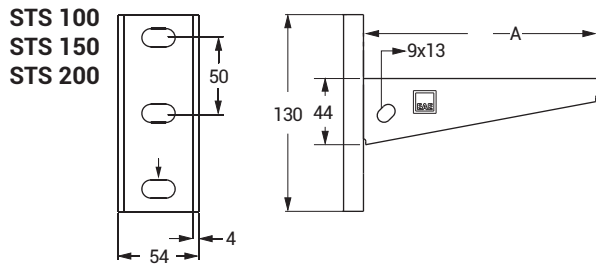
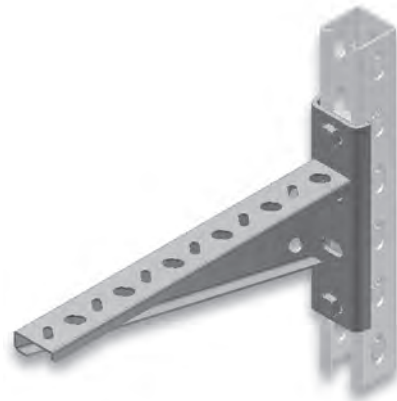
Description	A (mm)	T (mm)	Weight (kg/pcs)	HDG Code
BR 7-D-100	150	2	1,089	3110969
BR 7-D-150	200	2	1,326	3110970
BR 7-D-200	250	2	1,421	3110971
BR 7-D-250	300	2	1,800	3110972
BR 7-D-300	350	2	2,036	3110973
BR 7-D-400	450	2	2,510	3110974
BR 7-D-500	550	2	2,985	3110975
BR 7-D-600	650	2	3,457	3110976



- Please contact your representative for inquiries regarding stainless steel alternatives.
- Please contact us for special dimensions.
- Material weights may vary by $\pm 10\%$

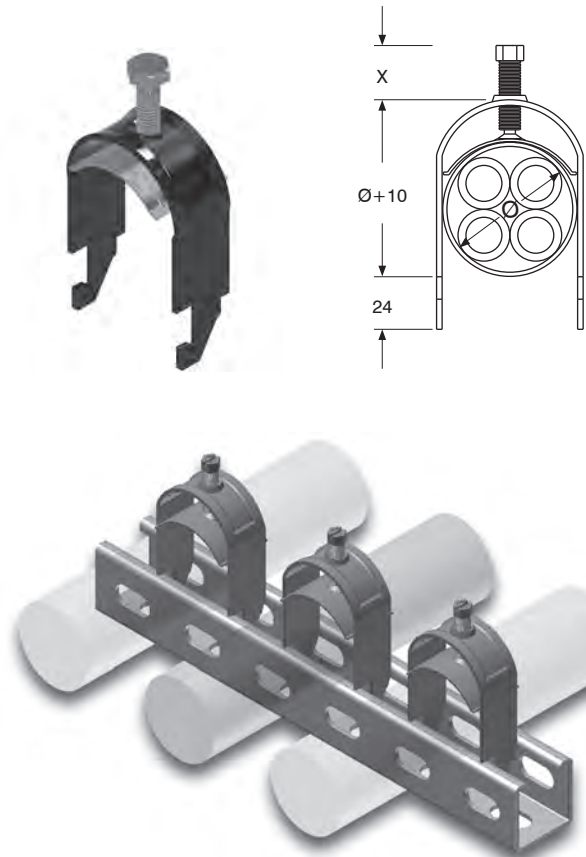
- All dimensions are given as in mm
- PG= Pre-Galvanized
- Please indicate order code in your orders.
- HDG= Hot Dip Galvanized

Description	A (mm)	T (mm)	Weight (kg/pcs)	HDG Code
STS 100	120	2	0,398	3008015
STS 150	170	2	0,474	3008016
STS 200	220	2	0,539	3008017
STS 250	270	2	0,814	3008018
STS 300	320	2	0,920	3008019
STS 400	420	2	1,026	3008020
STS 500	520	2	1,262	3008021
STS 600	620	2	1,425	3008022



► CABLE CLAMPS

Description	Ø (mm)	X (mm)	Weight (kg/pcs)	Product Code
1-12 CABLE CLAMP	12	20	0,055	1004215
1-16 CABLE CLAMP	16	20	0,059	1004309
1-20 CABLE CLAMP	20	20	0,065	1004214
1-24 CABLE CLAMP	24	20	0,072	1004213
1-28 CABLE CLAMP	28	20	0,076	1004307
1-32 CABLE CLAMP	32	20	0,083	1004212
1-36 CABLE CLAMP	36	20	0,088	1004211
1-40 CABLE CLAMP	40	30	0,091	1004305
1-44 CABLE CLAMP	44	30	0,098	1004210
1-48 CABLE CLAMP	48	30	0,103	1004209
1-52 CABLE CLAMP	52	30	0,108	1004303
1-56 CABLE CLAMP	56	30	0,113	1004208
1-60 CABLE CLAMP	60	30	0,121	1004207
1-64 CABLE CLAMP	64	30	0,127	1004206
1-70 CABLE CLAMP	70	30	0,136	1004205
1-76 CABLE CLAMP	76	30	0,145	1004204
1-82 CABLE CLAMP	82	30	0,153	1004203
1-88 CABLE CLAMP	88	30	0,163	1004202
1-94 CABLE CLAMP	94	30	0,173	1004201
1-100 CABLE CLAMP	100	30	0,179	1004200



■ These clamps are suitable for BINRAK with cross-sections of 41x41 and 41x61.

- Please contact your representative for inquiries regarding stainless steel alternatives.
- Please contact us for special dimensions.
- Material weights may vary by ± 10%

- All dimensions are given as in mm
- PG= Pre-Galvanized
- Please indicate order code in your orders.
- HDG= Hot Dip Galvanized

E-LINEBR

▶▶ ADJUSTABLE ANGLE BRACKETS

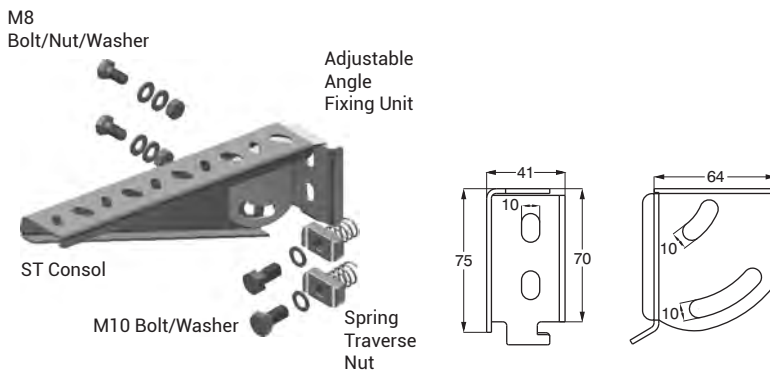
Hot Dip Galvanized (TS EN ISO 1461)



BR

Description	A (mm)	T (mm)	Weight (kg/pcs)	HDG Code
ST 200	205	2	0,318	2000799
ST 250	255	2	0,416	2000805
ST 300	305	2	0,494	2000800
ST 400	405	2	0,649	2000801
Adjustable Angle Fixing Unit	-	2,5	0,200	3006351

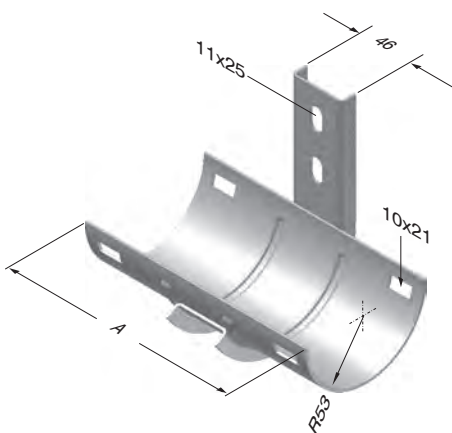
- For the installation of the angle adjustment tool:
 - Angle adjusted fitting, 1 pcs.
 - M8x20 bolt 2 pcs.
 - M8 washer 2 pcs.
 - M8 plain washer 2 pcs.
 - M8 nut 2 pcs. shall be ordered.
- For the installation of the angle adjustment tool to the Binrak Console:
 - M10x30 bolt 2 pcs.
 - M10 washer 2 pcs.
 - M10 spring nut 2 pcs. shall be ordered.



▶ MEDIUM VOLTAGE CABLE HANGER

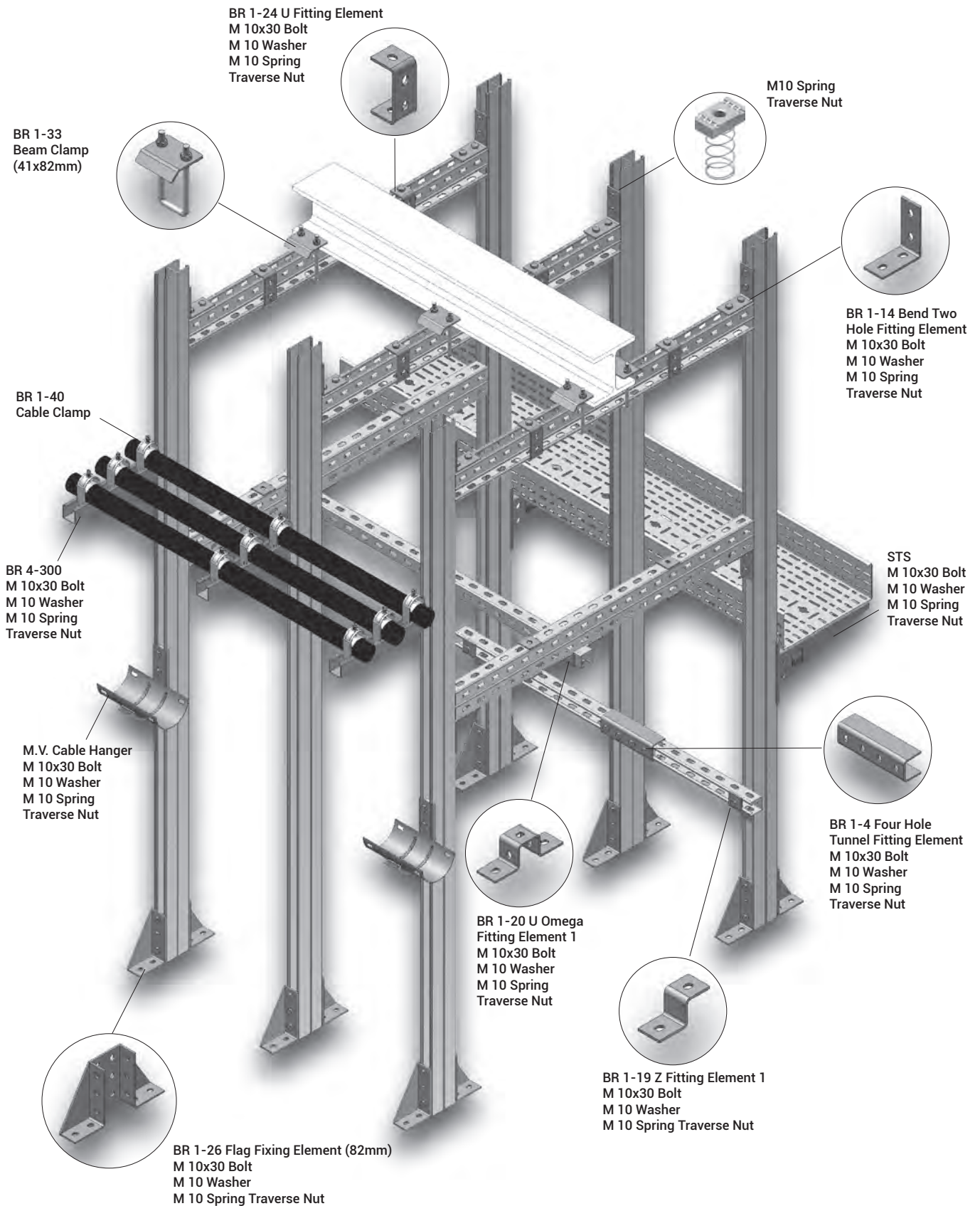
Hot Dip Galvanized (TS EN ISO 1461)

Description	T (mm)	A (mm)	Weight (kg/pcs)	HDG Code
OG CANTILEVER	2	150	0,703	3004337
OG CANTILEVER	2	200	0,851	3004338



- Please contact your representative for inquiries regarding stainless steel alternatives.
- Please contact us for special dimensions.
- Material weights may vary by $\pm 10\%$

- All dimensions are given as in mm
- PG= Pre-Galvanized
- Please indicate order code in your orders.
- HDG= Hot Dip Galvanized



■ Please contact your representative for inquiries regarding stainless steel alternatives.

■ Please contact us for special dimensions.

■ Material weights may vary by ± 10%


■ All dimensions are given as in mm

■ Please indicate order code in your orders.

■ PG= Pre-Galvanized

■ HDG= Hot Dip Galvanized

▶▶ PROJECT DESIGN FORM

Item	Component List	Quantity	Company: Project: Project No:	Name : Date : Signature : Prepared by
<div style="text-align: right; padding-right: 10px;">  </div>				

Please duplicate this page for your own use.

BR


▶▶ PROJECT DESIGN FORM


Component List		Quantity
Item	Component	

Company: _____
 Project: _____
 Project No: _____

Name : _____
 Date : _____
 Signature : _____

Prepared by _____





Please duplicate this page for your own use.



UK

E-LINE UK

CABLE TRAY SYSTEMS



E-LINE UK

Please visit our website for the updated version of our catalogues.
www.eaelectric.com

CONTENTS

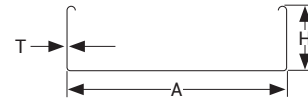
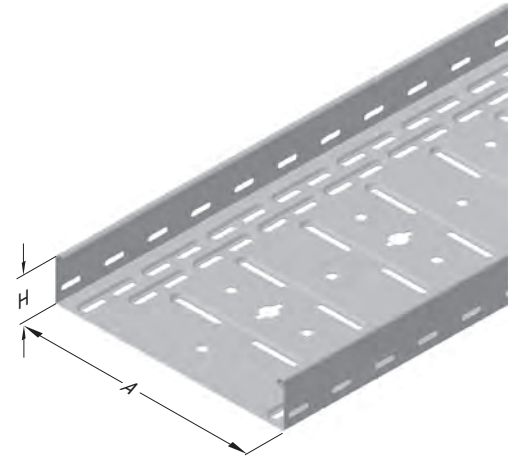
▶▶ E-LINE UK

Cable Tray Systems	2-6
Deflection Values	7-8
UK Cover Clamp	9
UKE Omega Clamp	10
UKE Blind End	11
UK Joint Fitting.....	12
UK Expansion Set, Separator, Fish Plate.....	13
UKE Bends	14-22
UKE Level Adaptation Bend	23
UKE Adjustable Vertical Inside Bend.....	24
UKE YT Add-On Tee	25
UKE Reduction Fitting.....	26-27
UKE Level Adaptation Joint Set, UK SDE Bend Protection Plate.....	28
UKFG Bends	29-35
UKFG Reduction Fitting	36-38
UKFG Joint Fitting	39
UKK Bend Covers	40-42
UK Level Adaptation Joint Set Covers, UKE Wall Mounted Bend Cover.....	43
UKE Centre Descent Bend Cover	44

►► Cable Tray ► UKFE Cable Tray

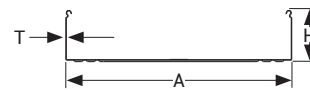
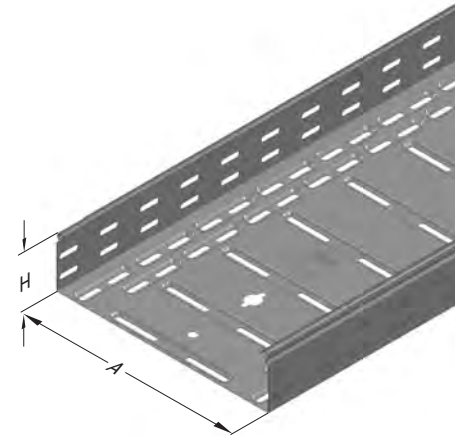
Pre-Galvanized (TS EN 10346 - TS EN 10143)

Description	H (mm)	A (mm)	T=0,7		T=0,9	
			Weight (kg/m)	PG Code	Weight (kg/m)	PG Code
40 UKFE 100	40	100	1,01	3108992	-	-
40 UKFE 200	40	200	1,488	3108993	-	-
40 UKFE 300	40	300	2,031	3108994	-	-
40 UKFE 400	40	400	-	-	3,253	3117226
40 UKFE 500	40	500	-	-	3,918	3117227
40 UKFE 600	40	600	-	-	4,594	3117228
50 UKFE 100	50	100	1,118	3299956	-	-
50 UKFE 200	50	200	1,595	3299957	-	-
50 UKFE 300	50	300	2,113	3299958	-	-
50 UKFE 400	50	400	-	-	3,379	3299959
50 UKFE 500	50	500	-	-	4,042	3299960
50 UKFE 600	50	600	-	-	4,716	3299961
60 UKFE 100	60	100	1,287	3109001	-	-
60 UKFE 200	60	200	1,708	3109002	-	-
60 UKFE 300	60	300	2,227	3109003	-	-
60 UKFE 400	60	400	-	-	3,535	3109004
60 UKFE 500	60	500	-	-	4,201	3109005
60 UKFE 600	60	600	-	-	4,876	3109006



• H40, H50, H60 UKFE cable trays are compatible with UKE and UKFG modules.

Description	H (mm)	A (mm)	T=0,7		T=0,9	
			Weight (kg/m)	PG Code	Weight (kg/m)	PG Code
75 UKFE 100	75	100	1,360	3299962	-	-
75 UKFE 200	75	200	1,834	3299963	-	-
75 UKFE 300	75	300	2,355	3299964	-	-
75 UKFE 400	75	400	-	-	3,691	3299965
75 UKFE 500	75	500	-	-	4,354	3299966
75 UKFE 600	75	600	-	-	5,027	3299967
100 UKFE 100	100	100	1,601	3299968	-	-
100 UKFE 200	100	200	2,075	3299969	-	-
100 UKFE 300	100	300	2,596	3299970	-	-
100 UKFE 400	100	400	-	-	4,001	3299971
100 UKFE 500	100	500	-	-	4,664	3299972
100 UKFE 600	100	600	-	-	5,338	3299973



- Standard Length 3000 mm.
- H75, H100 UKFE cable trays are compatible with UKFG modules.
- The L-EK element (see Page 4)

■ Please indicate order code in your orders.
 ■ Please contact us for special dimensions.
 ■ Material weights may vary by ± 10%

■ All dimensions are given as in mm
 ■ PG= Pre-Galvanized
 ■ HDG= Hot Dip Galvanized

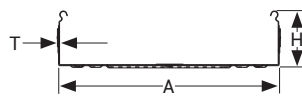
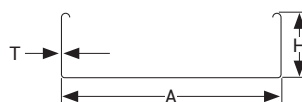
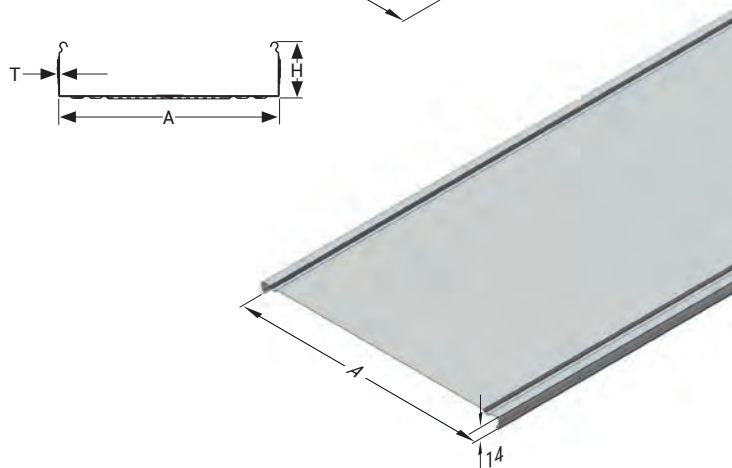
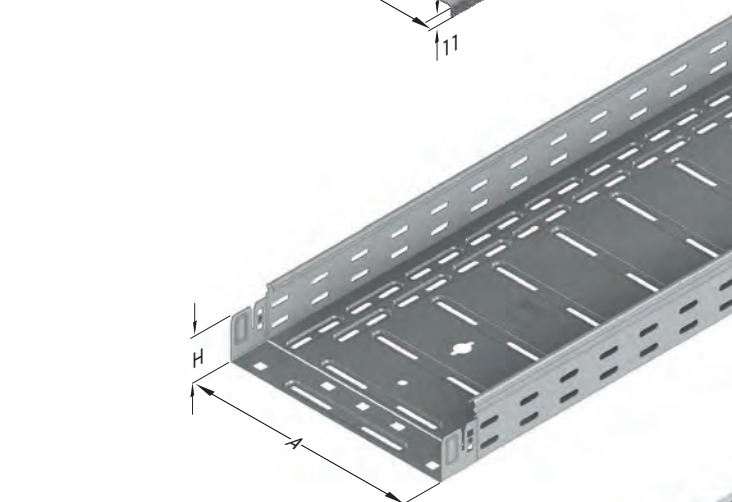
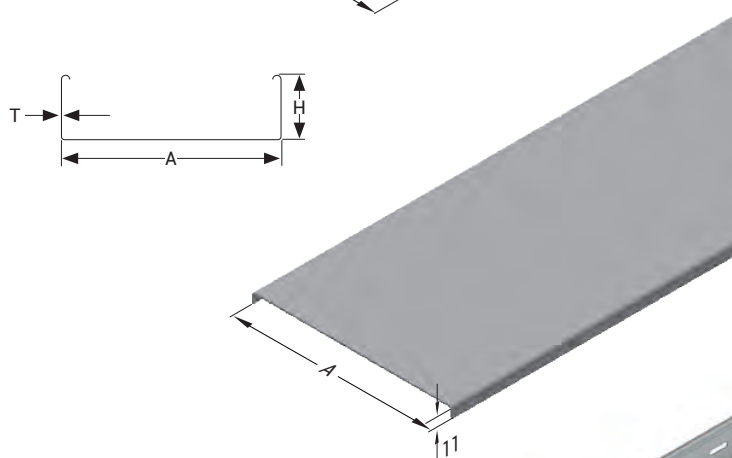
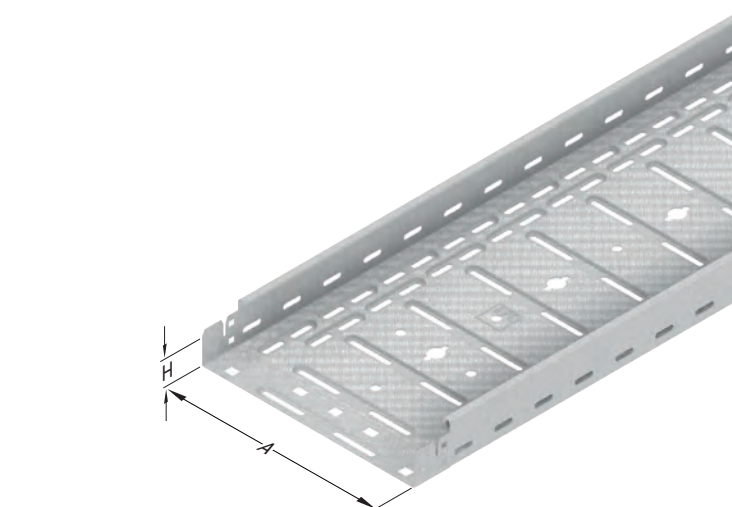
Description	H (mm)	A (mm)	T=0,7		T=0,9	
			Weight (kg/m)	PG Code	Weight (kg/m)	PG Code
040 UKFG 100	40	100	1,024	3047898	-	-
040 UKFG 200	40	200	1,511	3047899	-	-
040 UKFG 300	40	300	2,063	3047900	-	-
040 UKFG 400	40	400	-	-	-	-
040 UKFG 500	40	500	-	-	-	-
040 UKFG 600	40	600	-	-	-	-
050 UKFG 100	50	100	1,150	3049003	-	-
050 UKFG 200	50	200	1,623	3049004	-	-
050 UKFG 300	50	300	2,152	3049005	-	-
050 UKFG 400	50	400	-	-	3,449	3049006
050 UKFG 500	50	500	-	-	4,126	3049007
050 UKFG 600	50	600	-	-	4,813	3049008
060 UKFG 100	60	100	1,305	3047901	-	-
060 UKFG 200	60	200	1,735	3047902	-	-
060 UKFG 300	60	300	2,263	3047903	-	-
060 UKFG 400	60	400	-	-	3,593	3047904
060 UKFG 500	60	500	-	-	4,270	3047905
060 UKFG 600	60	600	-	-	4,957	3047906

Description	A (mm)	T (mm)	Weight (kg/m)	PG Code
UKFG 100 TRAY COVER	105	0,7	0,672	3103022
UKFG 200 TRAY COVER	205	0,7	1,220	3240964
UKFG 300 TRAY COVER	305	0,7	1,772	3103024
UKFG 400 TRAY COVER	405	0,9	2,989	3103025
UKFG 500 TRAY COVER	505	0,9	3,699	3103026
UKFG 600 TRAY COVER	605	0,9	4,409	3103027

Description	H (mm)	A (mm)	T=0,7		T=0,9	
			Weight (kg/m)	PG Code	Weight (kg/m)	PG Code
075 UKFG 100	75	100	1,370	3254384	-	-
075 UKFG 200	75	200	1,850	3254385	-	-
075 UKFG 300	75	300	2,370	3254386	-	-
075 UKFG 400	75	400	-	-	3,710	3254387
075 UKFG 500	75	500	-	-	4,370	3254388
075 UKFG 600	75	600	-	-	5,040	3254389
100 UKFG 100	100	100	1,610	3254390	-	-
100 UKFG 200	100	200	2,090	3254391	-	-
100 UKFG 300	100	300	2,620	3254392	-	-
100 UKFG 400	100	400	-	-	4,020	3254393
100 UKFG 500	100	500	-	-	4,680	3254394
100 UKFG 600	100	600	-	-	5,350	3254395

Description	A (mm)	T (mm)	Weight (kg/m)	PG Code
UKFG 100 SNAP-ON COVER	100	0,7	0,730	2117266
UKFG 200 SNAP-ON COVER	200	0,7	1,260	2117267
UKFG 300 SNAP-ON COVER	300	0,7	1,840	2117268
UKFG 400 SNAP-ON COVER	400	0,9	3,050	2117269
UKFG 500 SNAP-ON COVER	500	0,9	3,760	2117270
UKFG 600 SNAP-ON COVER	600	0,9	4,470	2117271

- Please indicate order code in your orders.
- Please contact us for special dimensions.
- Material weights may vary by ± 10%



■ All dimensions are given as in mm

■ PG= Pre-Galvanized
■ HDG= Hot Dip Galvanized

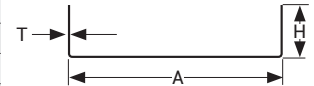
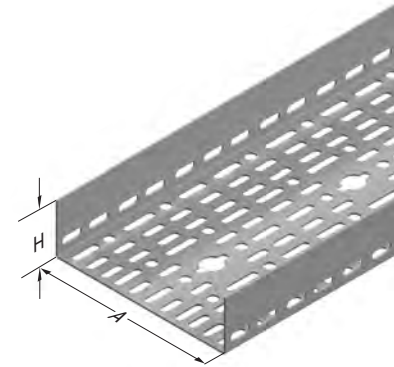
UK

►► Cable Tray

► UKN-E Cable Tray

Pre-Galvanized (TS EN 10346 - TS EN 10143)

Description	H (mm)	A (mm)	T=0,8		T=1		T=1,2		T=1,5		T=2	
			Weight (kg/m)	PG Code	Weight (kg/m)	PG Code	Weight (kg/m)	PG Code	Weight (kg/m)	PG Code	Weight (kg/m)	PG Code
040 UKN-E 050	40	50	0,666	3250186	0,833	3299870	0,999	3299879	1,249	3299894	1,651	3299914
040 UKN-E 100	40	100	0,860	3250187	1,075	3299871	1,291	3299880	1,613	3299895	2,135	3299915
040 UKN-E 150	40	150	1,110	3305362	1,388	3299872	1,665	3299881	2,082	3299896	2,761	3299916
040 UKN-E 200	40	200	1,291	3305363	1,614	3250188	1,937	3299882	2,422	3299897	3,213	3299917
040 UKN-E 250	40	250	-	-	-	-	2,312	3299883	2,89	3299898	3,838	3299918
040 UKN-E 300	40	300	-	-	-	-	2,584	3250189	3,23	3299899	4,291	3299919
040 UKN-E 400	40	400	-	-	-	-	-	-	4,039	3250190	5,369	3299920
040 UKN-E 500	40	500	-	-	-	-	-	-	4,847	3250191	6,447	3299921
040 UKN-E 600	40	600	-	-	-	-	-	-	5,656	3250192	7,525	3299922
050 UKN-E 050	50	50	0,798	3305364	0,998	3299873	1,116	3299884	1,473	3299900	1,964	3299923
050 UKN-E 100	50	100	1,005	3305365	1,256	3299874	1,498	3299885	1,86	3299901	2,465	3299924
050 UKN-E 150	50	150	1,248	3305366	1,56	3299875	1,873	3299886	2,329	3299902	3,09	3299925
050 UKN-E 200	50	200	1,436	3305367	1,795	3299876	2,145	3299887	2,669	3299903	3,543	3299926
050 UKN-E 250	50	250	-	-	-	-	2,519	3299888	3,137	3299904	4,168	3299927
050 UKN-E 300	50	300	-	-	-	-	2,791	3299889	3,477	3299905	4,621	3299928
050 UKN-E 400	50	400	-	-	-	-	-	-	4,286	3299906	5,699	3299929
050 UKN-E 500	50	500	-	-	-	-	-	-	5,094	3299907	6,777	3299930
050 UKN-E 600	50	600	-	-	-	-	-	-	5,903	3299908	7,855	3299931
060 UKN-E 050	60	50	0,923	3250193	1,154	3359017	1,385	3359018	1,708	3359019	2,293	3359020
060 UKN-E 100	60	100	1,130	3250194	1,413	3299877	1,686	3299890	2,096	3299909	2,779	3299932
060 UKN-E 150	60	150	1,380	3305368	1,725	3299878	2,061	3299891	2,564	3299910	3,404	3299933
060 UKN-E 200	60	200	1,562	3305369	1,952	3250195	2,333	3299892	2,904	3299911	3,857	3299934
060 UKN-E 250	60	250	-	-	-	-	2,708	3299893	3,373	3299912	4,482	3299935
060 UKN-E 300	60	300	-	-	-	-	2,980	3250196	3,713	3299913	4,935	3299936
060 UKN-E 400	60	400	-	-	-	-	-	-	4,521	3250197	6,013	3299937
060 UKN-E 500	60	500	-	-	-	-	-	-	5,33	3250198	7,091	3299938
060 UKN-E 600	60	600	-	-	-	-	-	-	6,138	3250199	8,169	3299939



► UKN-E Joint Fitting

Pre-Galvanized (TS EN 10346 - TS EN 10143)

Description	T (mm)	H (mm)	Weight (kg/pcs)	PG Code
UKN-E L JOINT FITTING	1,5	40-50-60	0,132	3114708
UKN-E L JOINT FITTING	2	40-50-60	0,173	3302083



■ Please contact your representative for inquiries regarding stainless steel alternatives.

■ Please indicate order code in your orders.

■ Please contact us for special dimensions.

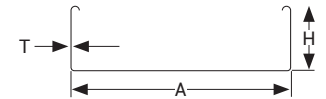
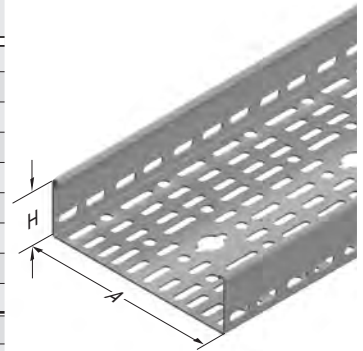
■ Material weights may vary by ± 10%

■ All dimensions are given as in mm

■ PG= Pre-Galvanized

■ HDG= Hot Dip Galvanized

Description	H (mm)	A (mm)	T=0,8		T=1		T=1,2		T=1,5		T=2	
			Weight (kg/m)	PG Code	Weight (kg/m)	PG Code	Weight (kg/m)	PG Code	Weight (kg/m)	PG Code	Weight (kg/m)	PG Code
040 UKE 050	40	50	0,773	3240897	0,966	3240901	1,163	3299940	1,492	3240770	1,946	3240812
040 UKE 100	40	100	0,974	3240898	1,271	3240902	1,497	3240907	1,856	3240771	2,431	3240813
040 UKE 150	40	150	1,217	3240899	1,583	3240903	1,872	3240908	2,325	3240772	3,056	3240814
040 UKE 200	40	200	1,399	3240900	1,810	3240904	2,144	3240909	2,665	3240773	3,509	3240815
040 UKE 250	40	250	-	-	2,122	3240905	2,519	3240910	3,133	3240774	4,134	3240816
040 UKE 300	40	300	-	-	2,349	3240906	2,791	3240911	3,473	3240775	4,587	3240817
040 UKE 400	40	400	-	-	-	-	-	-	4,282	3240776	5,665	3240818
040 UKE 500	40	500	-	-	-	-	-	-	5,090	3240777	6,743	3240819
040 UKE 600	40	600	-	-	-	-	-	-	5,899	3240778	7,821	3240820
050 UKE 050	50	50	0,898	3240912	1,123	3240916	1,351	3299941	1,728	3240779	2,260	3240821
050 UKE 100	50	100	1,093	3240913	1,428	3240917	1,686	3240922	2,092	3240780	2,745	3240822
050 UKE 150	50	150	1,343	3240914	1,740	3240918	2,060	3240923	2,560	3240781	3,370	3240823
050 UKE 200	50	200	1,523	3240915	1,967	3240919	2,332	3240924	2,900	3240782	3,823	3240824
050 UKE 250	50	250	-	-	2,279	3240920	2,707	3240925	3,369	3240783	4,448	3240825
050 UKE 300	50	300	-	-	2,506	3240921	2,979	3240926	3,709	3240784	4,901	3240826
050 UKE 400	50	400	-	-	-	-	-	-	4,517	3240785	5,979	3240827
050 UKE 500	50	500	-	-	-	-	-	-	5,326	3240786	7,057	3240828
050 UKE 600	50	600	-	-	-	-	-	-	6,134	3240787	8,135	3240829
060 UKE 050	60	50	1,026	3006323	1,283	3359021	1,540	3359022	1,949	3359023	2,614	3359024
060 UKE 100	60	100	1,218	3240927	1,585	3240930	1,874	3240935	2,327	3240788	3,059	3240830
060 UKE 150	60	150	1,469	3240928	1,897	3240931	2,249	3240936	2,796	3240789	3,684	3240831
060 UKE 200	60	200	1,649	3240929	2,124	3240932	2,521	3240937	3,136	3240790	4,137	3240832
060 UKE 250	60	250	-	-	2,436	3240933	2,896	3240938	3,604	3240791	4,762	3240833
060 UKE 300	60	300	-	-	2,663	3240934	3,168	3240939	3,944	3240792	5,215	3240834
060 UKE 400	60	400	-	-	-	-	-	-	4,753	3240793	6,293	3240835
060 UKE 500	60	500	-	-	-	-	-	-	5,561	3240794	7,371	3240836
060 UKE 600	60	600	-	-	-	-	-	-	6,370	3240795	8,449	3240837
075 UKE 100	75	100	-	-	1,725	3323763	2,061	3323753	2,560	3240796	3,370	3240838
075 UKE 150	75	150	-	-	2,038	3323764	2,436	3323754	3,149	3240797	3,994	3240839
075 UKE 200	75	200	-	-	2,264	3323765	2,708	3323755	3,369	3240798	4,448	3240840
075 UKE 250	75	250	-	-	2,577	3323766	3,083	3323756	3,957	3240799	5,072	3240841
075 UKE 300	75	300	-	-	2,803	3323767	3,355	3323757	4,177	3240800	5,526	3240842
075 UKE 400	75	400	-	-	-	-	-	-	4,986	3240801	6,604	3240843
075 UKE 500	75	500	-	-	-	-	-	-	5,794	3240802	7,682	3240844
075 UKE 600	75	600	-	-	-	-	-	-	6,603	3240803	8,760	3240845
100 UKE 100	100	100	-	-	2,022	3323768	2,426	3323758	3,029	3240804	3,994	3240846
100 UKE 150	100	150	-	-	2,350	3323769	2,820	3323759	3,738	3240805	4,405	3240847
100 UKE 200	100	200	-	-	2,577	3323770	3,092	3323760	3,837	3240806	5,072	3240848
100 UKE 250	100	250	-	-	2,889	3323771	3,457	3323761	4,546	3240807	5,697	3240849
100 UKE 300	100	300	-	-	3,116	3323772	3,729	3323762	4,646	3240808	6,150	3240850
100 UKE 400	100	400	-	-	-	-	-	-	5,454	3240809	7,228	3240851
100 UKE 500	100	500	-	-	-	-	-	-	6,263	3240810	8,306	3240852
100 UKE 600	100	600	-	-	-	-	-	-	7,071	3240811	9,384	3240853



UK

Required bolt quantities for cable tray module assembly:

- For H40 cable tray module assembly: 4 sets of M6x12 bolts
- For H50 cable tray module assembly: 4 sets of M6x12 bolts
- For H60 cable tray module assembly: 4 sets of M6x12 bolts
- For H75 cable tray module assembly: 8 sets of M6x12 bolts
- For H100 cable tray module assembly: 8 sets of M6x12 bolts

■ Please contact your representative for inquiries regarding stainless steel alternatives.

■ Please indicate order code in your orders.

■ Please contact us for special dimensions.

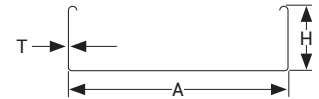
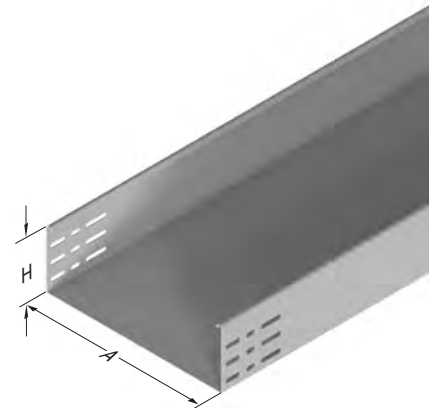
■ Material weights may vary by ± 10%

■ All dimensions are given as in mm

■ PG= Pre-Galvanized

■ HDG= Hot Dip Galvanized

Description	H (mm)	A (mm)	T=0,8		T=1		T=1,2		T=1,5		T=2	
			Weight (kg/m)	PG Code	Weight (kg/m)	PG Code	Weight (kg/m)	PG Code	Weight (kg/m)	PG Code	Weight (kg/m)	PG Code
040 UKD 050	40	50	0,872	3005347	1,084	3008258	1.301	3302913	1,648	3298801	2,198	3298835
040 UKD 100	40	100	1,187	3005346	1,476	3008257	1,818	3298786	2,260	3298802	2,999	3298836
040 UKD 150	40	150	1,500	3048976	1,869	3008256	2,289	3298787	2,849	3298803	3,784	3298837
040 UKD 200	40	200	1,814	3048977	2,253	3086565	2,760	3008255	3,438	3298804	4,569	3298838
040 UKD 250	40	250	-	-	2,701	3298778	3,231	3008254	4,027	3298805	5,354	3298839
040 UKD 300	40	300	-	-	3,046	3048978	3,702	3086566	4,568	3008253	6,139	3298840
040 UKD 400	40	400	-	-	-	-	-	-	5,793	3008252	7,709	3086567
040 UKD 500	40	500	-	-	-	-	-	-	6,970	3008251	9,279	3086568
040 UKD 600	40	600	-	-	-	-	-	-	8,148	3001752	10,849	3086569
050 UKD 050	50	50	0,997	3298771	1,241	3298779	1.489	3302915	1,884	3298806	2,528	3298841
050 UKD 100	50	100	1,450	3298772	1,680	3298780	2,007	3298791	2,496	3298807	3,313	3298842
050 UKD 150	50	150	1,796	3298773	2,073	3298781	2,478	3298792	3,085	3298808	4,098	3298843
050 UKD 200	50	200	2,142	3298774	2,465	3298782	2,949	3298793	3,673	3298809	4,883	3298844
050 UKD 250	50	250	-	-	2,858	3298783	3,420	3298794	4,262	3298810	5,668	3298845
050 UKD 300	50	300	-	-	3,250	3298784	3,891	3298795	4,851	3298811	6,453	3298846
050 UKD 400	50	400	-	-	-	-	-	-	6,028	3298812	8,023	3298847
050 UKD 500	50	500	-	-	-	-	-	-	7,206	3298813	9,593	3298848
050 UKD 600	50	600	-	-	-	-	-	-	8,383	3298814	11,163	3298849
060 UKD 050	60	50	1,118	3005335	1,397	3008173	1,677	3359025	2,120	3359026	2,842	3359027
060 UKD 100	60	100	1,589	3005334	1,774	3008172	2,195	3298796	2,731	3298815	3,627	3298850
060 UKD 150	60	150	1,934	3298776	2,183	3008171	2,666	3298797	3,320	3298816	4,412	3298851
060 UKD 200	60	200	2,279	3048979	2,575	3086570	3,137	3008250	3,909	3298817	5,197	3298852
060 UKD 250	60	250	-	-	3,015	3298785	3,608	3008249	4,498	3298818	5,982	3298853
060 UKD 300	60	300	-	-	3,344	3048980	4,079	3086571	5,086	3008248	6,767	3298854
060 UKD 400	60	400	-	-	-	-	-	-	6,264	3008247	8,337	3086572
060 UKD 500	60	500	-	-	-	-	-	-	7,441	3008246	9,907	3086573
060 UKD 600	60	600	-	-	-	-	-	-	8,619	3001753	11,477	3086574
075 UKD 100	75	100	-	-	2,057	3323803	2,459	3323793	3,062	3298819	4,067	3298855
075 UKD 150	75	150	-	-	2,450	3323804	2,930	3323794	3,650	3298820	4,852	3298856
075 UKD 200	75	200	-	-	2,842	3323805	3,401	3323795	4,239	3298821	5,637	3298857
075 UKD 250	75	250	-	-	3,235	3323806	3,872	3323796	4,828	3298822	6,422	3298858
075 UKD 300	75	300	-	-	3,627	3323807	4,343	3323797	5,417	3298823	7,207	3298859
075 UKD 400	75	400	-	-	-	-	-	-	6,594	3298824	8,777	3298860
075 UKD 500	75	500	-	-	-	-	-	-	7,772	3298825	10,347	3298861
075 UKD 600	75	600	-	-	-	-	-	-	8,949	3298826	11,917	3298862
100 UKD 100	100	100	-	-	2,434	3323808	2,912	3323798	3,627	3298827	4,821	3298863
100 UKD 150	100	150	-	-	2,827	3323809	3,383	3323799	4,216	3298828	5,606	3298864
100 UKD 200	100	200	-	-	3,219	3323810	3,854	3323800	4,805	3298829	6,391	3298865
100 UKD 250	100	250	-	-	3,612	3323811	4,325	3323801	5,394	3298830	7,176	3298866
100 UKD 300	100	300	-	-	4,004	3323812	4,796	3323802	5,982	3298831	7,961	3298867
100 UKD 400	100	400	-	-	-	-	-	-	7,160	3298832	9,531	3298868
100 UKD 500	100	500	-	-	-	-	-	-	8,337	3298833	11,101	3298869
100 UKD 600	100	600	-	-	-	-	-	-	9,515	3298834	12,671	3298870



■ Please contact your representative for inquiries regarding stainless steel alternatives.

■ Please indicate order code in your orders.

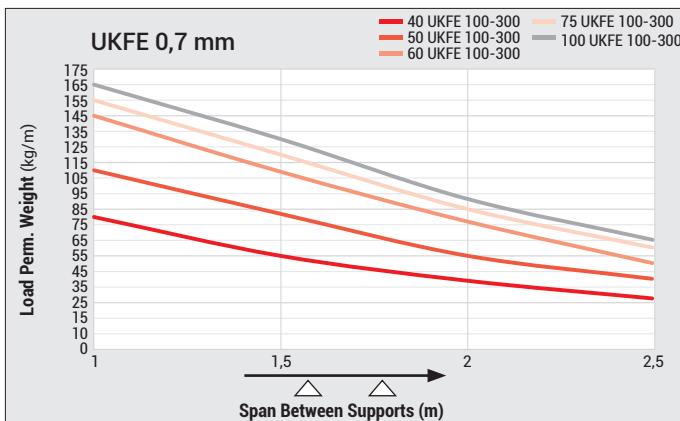
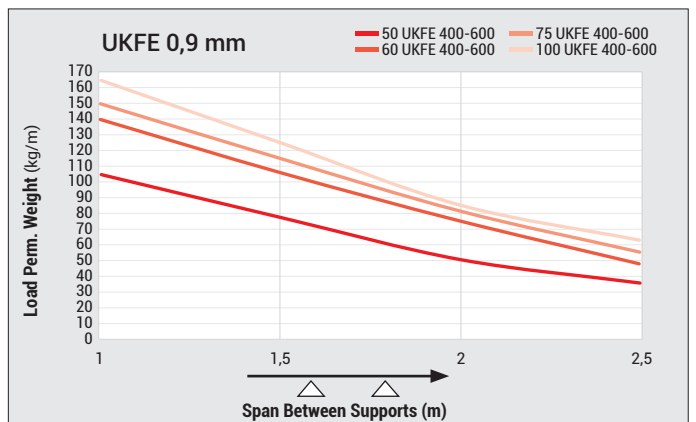
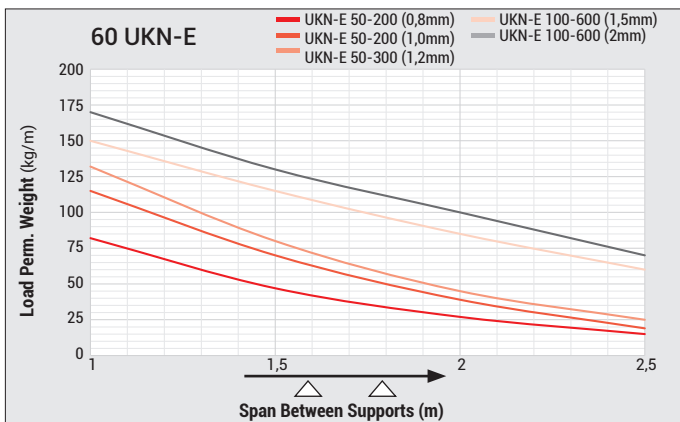
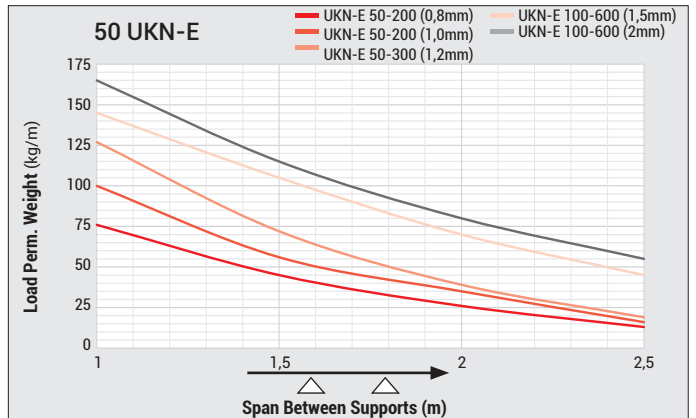
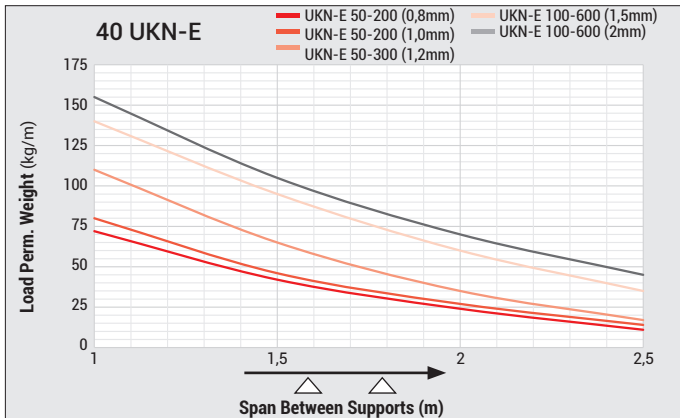
■ Please contact us for special dimensions.

■ Material weights may vary by ± 10%

■ All dimensions are given as in mm

■ PG= Pre-Galvanized

■ HDG= Hot Dip Galvanized

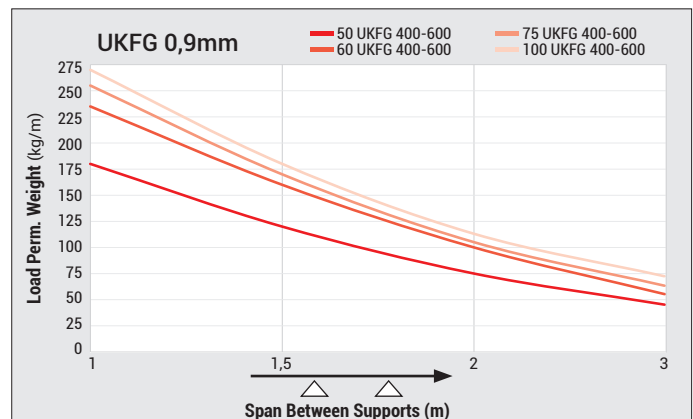
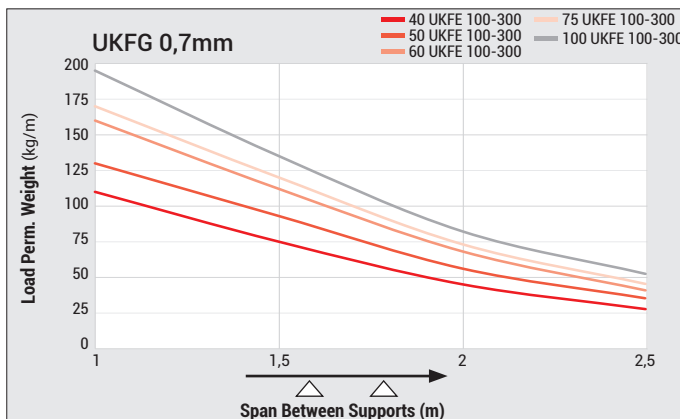
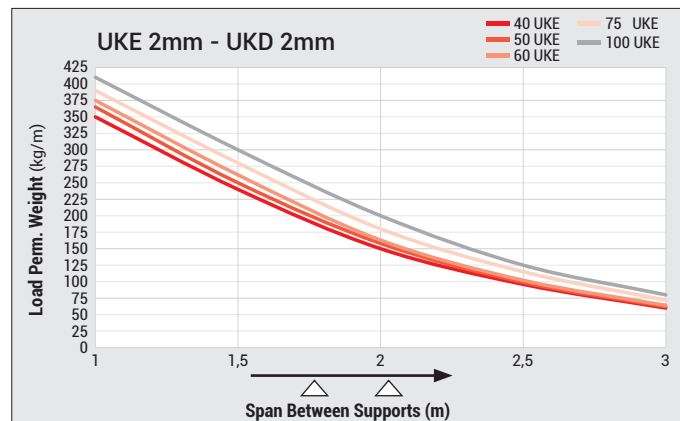
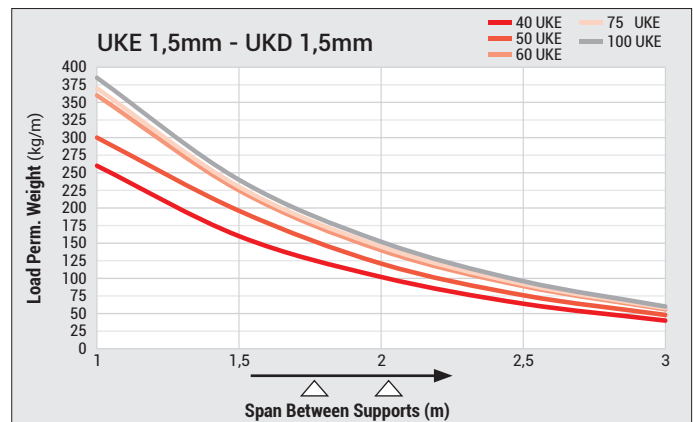
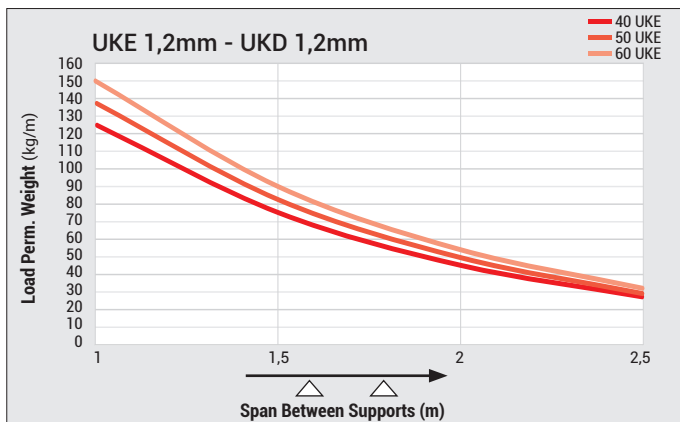
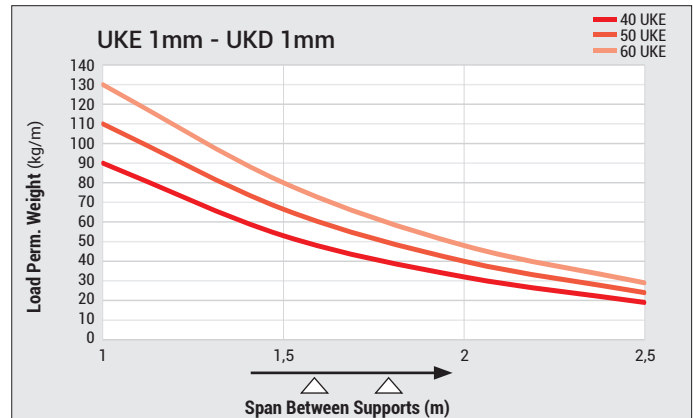
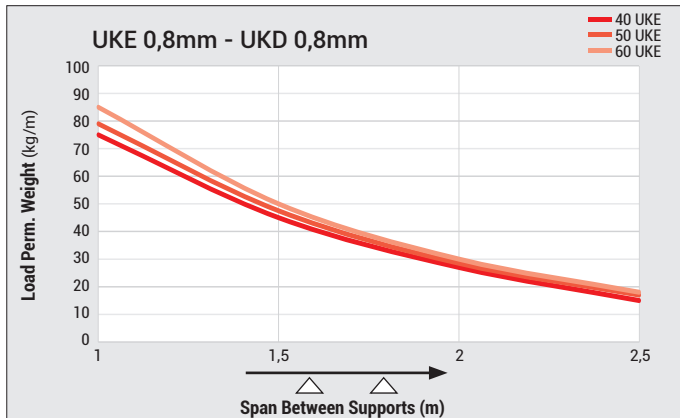


- Please indicate order code in your orders.
- Please contact us for special dimensions.
- Material weights may vary by ± 10%

■ All dimensions are given as in mm

- PG= Pre-Galvanized
- HDG= Hot Dip Galvanized

UK

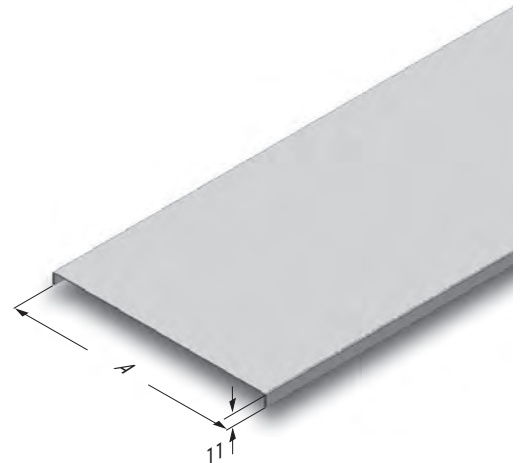


- Please indicate order code in your orders.
- Please contact us for special dimensions.
- Material weights may vary by ± 10%

■ All dimensions are given as in mm

- PG= Pre-Galvanized
- HDG= Hot Dip Galvanized

Description	A (mm)	T (mm)	Pack (m)	Weight (kg/m)	PG Code
UKK 50	54	0,8	2100	0,448	3008371
UKK 100	104	0,8	1224	0,757	3008370
UKK 150	154	1,0	1044	1,341	3008369
UKK 200	204	1,0	798	1,735	3008368
UKK 250	254	1,2	390	2,556	3008367
UKK 300	300	1,2	390	3,030	3008366
UKK 400	400	1,5	150	4,970	3008365
UKK 500	500	1,5	150	6,154	3008364
UKK 600	600	1,5	150	7,330	3006017



► Cable Tray Cover Clamps

Stainless Spring Steel (SS301)

Description	Weight (kg/pcs)	PG Code
040 COVER CLAMP (OUTWARD)	0,010	1004254
050 COVER CLAMP (OUTWARD)	0,013	1004184
060 COVER CLAMP (OUTWARD)	0,015	1004253
075 COVER CLAMP (OUTWARD)	0,019	1004183
100 COVER CLAMP (OUTWARD)	0,026	1004182



Spiked Structure



Cover Clamp (outward)
(Alkaline Lacquer Coated)

► Cable Tray Cover Clamps

Description	Weight (kg/pcs)	PG Code
040 COVER CLAMP OUTWARD(ELC)	0,036	1057987
050 COVER CLAMP OUTWARD(ELC)	0,040	1057988
060 COVER CLAMP OUTWARD(ELC)	0,044	1057989
040 COVER CLAMP OUTWARD(DKP)	0,040	1057990
050 COVER CLAMP OUTWARD(DKP)	0,044	1057991
060 COVER CLAMP OUTWARD(DKP)	0,048	1057992



■ External cover clamps should not be used in outdoor applications.

■ Omega cover clamps must be used in outdoor applications. (See Page: 10)

► Cable Tray Joint Bolt & Nut Set

Description	Weight (kg/pcs)	PG Code
JOINT BOLT SET M6	0,009	1004314

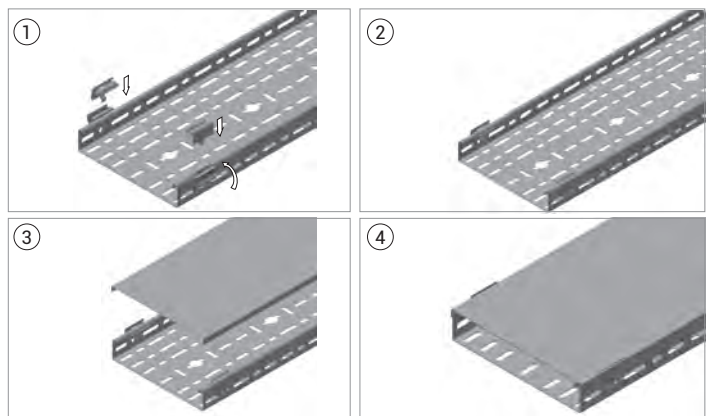


► UKE Quick Fit Cover Clamp

Pre-Galvanized (TS EN 10346 - TS EN 10143)

Description	Weight (kg/m.)	PG Code
40 UKE QUICK FIT COVER CLAMP	0,027	1025015
60 UKE QUICK FIT COVER CLAMP	0,034	1025041

■ Cable tray covers; It is not sufficient to secure the covers merely by installing them on vertical or vertically installed cable trays. Please also utilize self-tapping screws, steel cable ties, or cover hinges to withstand loads effectively.



■ Please contact your representative for inquiries regarding stainless steel alternatives.

■ Please indicate order code in your orders.

■ Please contact us for special dimensions.

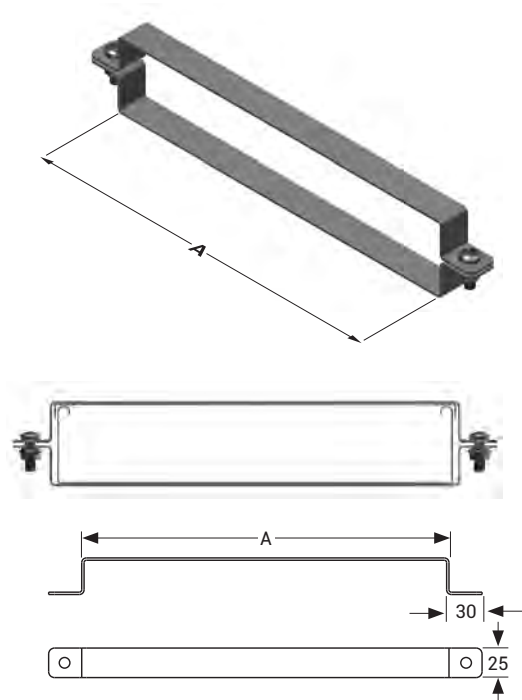
■ Material weights may vary by ± 10%

■ All dimensions are given as in mm

■ PG= Pre-Galvanized

■ HDG= Hot Dip Galvanized

Description	A (mm)	T=2	
		Weight (kg/set)	PG Code
040 UKE 050 OMEGA CLAMP	61	0,112	3137713
040 UKE 100 OMEGA CLAMP	111	0,152	3137714
040 UKE 150 OMEGA CLAMP	161	0,192	3137715
040 UKE 200 OMEGA CLAMP	211	0,230	3137716
040 UKE 250 OMEGA CLAMP	261	0,270	3137717
040 UKE 300 OMEGA CLAMP	311	0,310	3137718
040 UKE 400 OMEGA CLAMP	411	0,388	3137719
040 UKE 500 OMEGA CLAMP	511	0,466	3137720
040 UKE 600 OMEGA CLAMP	611	0,544	3137721
050 UKE 050 OMEGA CLAMP	61	0,120	3300998
050 UKE 100 OMEGA CLAMP	111	0,160	3300999
050 UKE 150 OMEGA CLAMP	161	0,200	3301000
050 UKE 200 OMEGA CLAMP	211	0,240	3301001
050 UKE 250 OMEGA CLAMP	261	0,278	3301002
050 UKE 300 OMEGA CLAMP	311	0,318	3301003
050 UKE 400 OMEGA CLAMP	411	0,396	3301004
050 UKE 500 OMEGA CLAMP	511	0,474	3301005
050 UKE 600 OMEGA CLAMP	611	0,552	3301006
060 UKE 050 OMEGA CLAMP	61	0,128	3359105
060 UKE 100 OMEGA CLAMP	111	0,168	3137722
060 UKE 150 OMEGA CLAMP	161	0,208	3137723
060 UKE 200 OMEGA CLAMP	211	0,246	3137724
060 UKE 250 OMEGA CLAMP	261	0,286	3137725
060 UKE 300 OMEGA CLAMP	311	0,324	3137726
060 UKE 400 OMEGA CLAMP	411	0,404	3137727
060 UKE 500 OMEGA CLAMP	511	0,482	3137728
060 UKE 600 OMEGA CLAMP	611	0,560	3137729
075 UKE 100 OMEGA CLAMP	111	0,180	3301007
075 UKE 150 OMEGA CLAMP	161	0,218	3301008
075 UKE 200 OMEGA CLAMP	211	0,258	3301009
075 UKE 250 OMEGA CLAMP	261	0,298	3301010
075 UKE 300 OMEGA CLAMP	311	0,338	3301011
075 UKE 400 OMEGA CLAMP	411	0,416	3301012
075 UKE 500 OMEGA CLAMP	511	0,454	3301013
075 UKE 600 OMEGA CLAMP	611	0,572	3301014
100 UKE 100 OMEGA CLAMP	111	0,200	3253322
100 UKE 150 OMEGA CLAMP	161	0,238	3253323
100 UKE 200 OMEGA CLAMP	211	0,278	3253324
100 UKE 250 OMEGA CLAMP	261	0,318	3253325
100 UKE 300 OMEGA CLAMP	311	0,356	3253326
100 UKE 400 OMEGA CLAMP	411	0,434	3253327
100 UKE 500 OMEGA CLAMP	511	0,514	3253328
100 UKE 600 OMEGA CLAMP	611	0,592	3253329



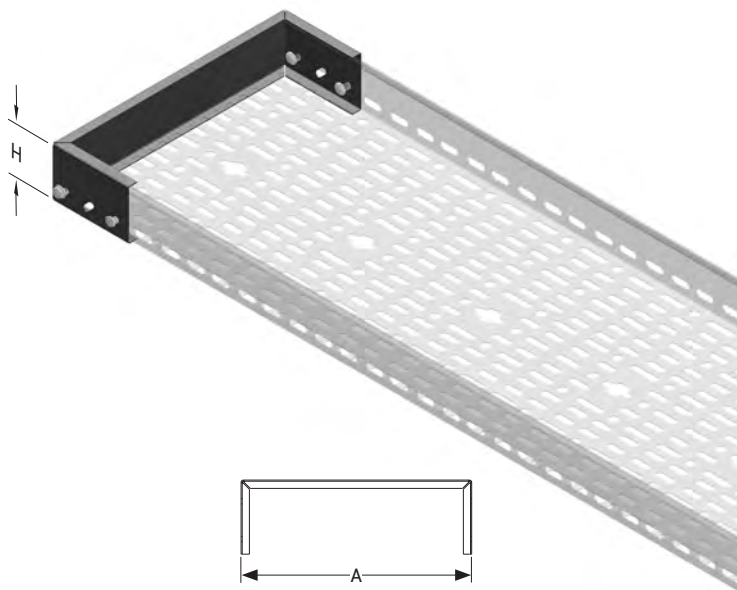
Note: Bolt set is included in the product delivered.

- Please contact your representative for inquiries regarding stainless steel alternatives.
- Please indicate order code in your orders.
- Please contact us for special dimensions.
- Material weights may vary by ± 10%

■ All dimensions are given as in mm

- PG= Pre-Galvanized
- HDG= Hot Dip Galvanized

Description	H (mm)	A (mm)	T=1,2	
			Weight (kg/pcs)	PG Code
040 UKE 050 BLIND END	40	50	0,144	3030373
040 UKE 100 BLIND END	40	100	0,174	3030374
040 UKE 150 BLIND END	40	150	0,204	3030375
040 UKE 200 BLIND END	40	200	0,234	3030376
040 UKE 250 BLIND END	40	250	0,264	3030377
040 UKE 300 BLIND END	40	300	0,294	3030378
040 UKE 400 BLIND END	40	400	0,355	3030379
040 UKE 500 BLIND END	40	500	0,415	3030380
040 UKE 600 BLIND END	40	600	0,475	3030381
050 UKE 050 BLIND END	50	50	0,168	3300963
050 UKE 100 BLIND END	50	100	0,203	3300964
050 UKE 150 BLIND END	50	150	0,237	3300965
050 UKE 200 BLIND END	50	200	0,272	3300966
050 UKE 250 BLIND END	50	250	0,307	3300967
050 UKE 300 BLIND END	50	300	0,342	3300968
050 UKE 400 BLIND END	50	400	0,412	3300969
050 UKE 500 BLIND END	50	500	0,481	3300970
050 UKE 600 BLIND END	50	600	0,551	3300971
060 UKE 050 BLIND END	60	50	0,192	3030382
060 UKE 100 BLIND END	60	100	0,231	3030383
060 UKE 150 BLIND END	60	150	0,271	3030384
060 UKE 200 BLIND END	60	200	0,310	3030385
060 UKE 250 BLIND END	60	250	0,350	3030386
060 UKE 300 BLIND END	60	300	0,390	3030387
060 UKE 400 BLIND END	60	400	0,469	3030388
060 UKE 500 BLIND END	60	500	0,548	3030389
060 UKE 600 BLIND END	60	600	0,627	3030390
075 UKE 050 BLIND END	75	50	0,220	3300972
075 UKE 100 BLIND END	75	100	0,266	3300973
075 UKE 150 BLIND END	75	150	0,313	3300974
075 UKE 200 BLIND END	75	200	0,359	3300975
075 UKE 250 BLIND END	75	250	0,405	3300976
075 UKE 300 BLIND END	75	300	0,451	3300977
075 UKE 400 BLIND END	75	400	0,544	3300978
075 UKE 500 BLIND END	75	500	0,635	3300979
075 UKE 600 BLIND END	75	600	0,728	3300980
100 UKE 050 BLIND END	100	50	0,275	3300981
100 UKE 100 BLIND END	100	100	0,333	3300982
100 UKE 150 BLIND END	100	150	0,391	3300983
100 UKE 200 BLIND END	100	200	0,449	3300984
100 UKE 250 BLIND END	100	250	0,507	3300985
100 UKE 300 BLIND END	100	300	0,565	3300986
100 UKE 400 BLIND END	100	400	0,680	3300987
100 UKE 500 BLIND END	100	500	0,797	3300988
100 UKE 600 BLIND END	100	600	0,913	3300989



- Please contact your representative for inquiries regarding stainless steel alternatives.
- Please indicate order code in your orders.
- Please contact us for special dimensions.
- Material weights may vary by $\pm 10\%$

■ All dimensions are given as in mm

- PG= Pre-Galvanized
- HDG= Hot Dip Galvanized

Description	L (mm)	T (mm)	Weight (kg/pcs)	PG Code
040 UK-KM JOINT FITTING	210	1	0,093	3164740
040 UK-KM JOINT FITTING	200	1,2	0,106	3008596
040 UK-KM JOINT FITTING	200	1,5	0,133	3006166
040 UK-KM JOINT FITTING	210	2	0,188	3006944
050 UK-KM JOINT FITTING	210	1	0,110	3240951
050 UK-KM JOINT FITTING	200	1,2	0,125	3114710
050 UK-KM JOINT FITTING	200	1,5	0,157	3006164
050 UK-KM JOINT FITTING	210	2	0,221	3006942
060 UK-KM JOINT FITTING	210	1	0,126	3240952
060 UK-KM JOINT FITTING	200	1,2	0,144	3008595
060 UK-KM JOINT FITTING	200	1,5	0,180	3006162
060 UK-KM JOINT FITTING	210	2	0,254	3006940
075 UK-KM JOINT FITTING	210	1	0,147	3292991
075 UK-KM JOINT FITTING	200	1,2	0,167	3114712
075 UK-KM JOINT FITTING	200	1,5	0,210	3240953
075 UK-KM JOINT FITTING	210	2	0,295	3006938
100 UK-KM JOINT FITTING	210	1	0,188	3293281
100 UK-KM JOINT FITTING	200	1,2	0,215	3241741
100 UK-KM JOINT FITTING	200	1,5	0,269	3240954
100 UK-KM JOINT FITTING	210	2	0,379	3006936

Joint Fitting



1 pcs H=40 joint; 4 M6x12 bolts should be used.

1 pcs H=50 Joint fitting mounting; 4 M6x12 bolts should be used.

1 pcs H=60 Joint fitting mounting; 4 pcs M6x12 Bolt should be used.

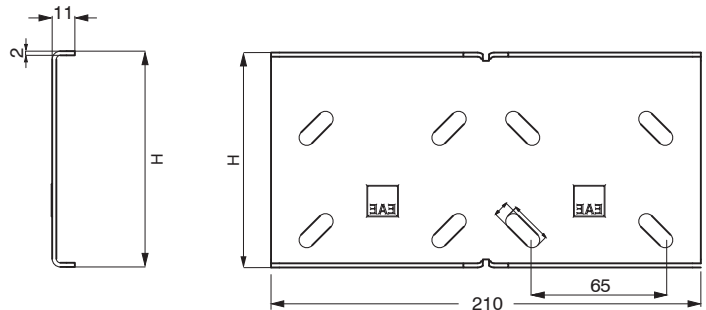
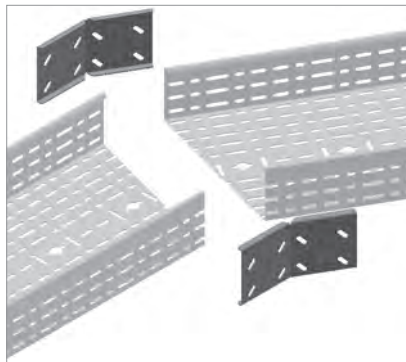
1 pcs H=75 Joint fitting mounting; 8 pcs M6x12 Bolts should be used.

1 pcs H=100 Joint fitting mounting; 8 pcs M6x12 Bolt should be used.

►► UKE Notched Joint

Pre-Galvaniz (TS EN 10346 - TS EN 10143)

Description	H (mm)	T (mm)	Weight (kg/pcs)	PG Code
040 UKE NOTCHED JOINT	45	1,2	0,113	3380394
050 UKE NOTCHED JOINT	55	1,2	0,133	3380395
060 UKE NOTCHED JOINT	65	1,2	0,152	3380396
040 UKE NOTCHED JOINT	45	1,5	0,141	3380402
050 UKE NOTCHED JOINT	55	1,5	0,166	3380403
060 UKE NOTCHED JOINT	65	1,5	0,190	3380404
075 UKE NOTCHED JOINT	80	1,5	0,222	3380405
100 UKE NOTCHED JOINT	105	1,5	0,283	3380406
040 UKE NOTCHED JOINT	45	2	0,188	3380397
050 UKE NOTCHED JOINT	55	2	0,221	3380398
060 UKE NOTCHED JOINT	65	2	0,253	3380399
075 UKE NOTCHED JOINT	80	2	0,296	3380400
100 UKE NOTCHED JOINT	105	2	0,377	3380401



■ Please contact your representative for inquiries regarding stainless steel alternatives.

■ Please indicate order code in your orders.

■ Please contact us for special dimensions.

■ Material weights may vary by $\pm 10\%$

■ All dimensions are given as in mm

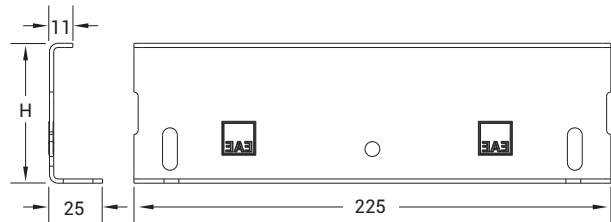
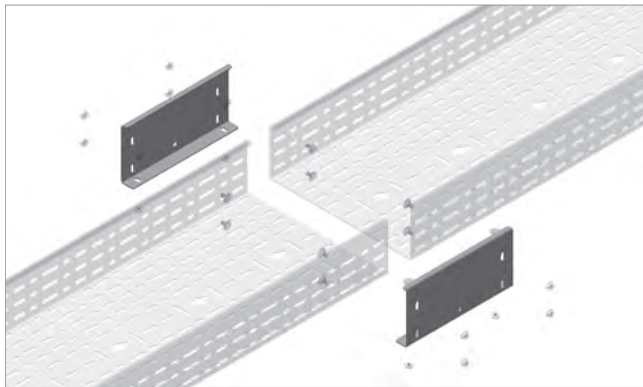
■ PG= Pre-Galvanized

■ HDG= Hot Dip Galvanized

►► UK EXPANSION SET

Pre-Galvanized (TS EN 10346 - TS EN 10143)

Description	Joining Ladder Thickness (mm)	H (mm)	T (mm)	Weight (kg/pcs)	PG Code
40 UK EXPANSION SET	1 - 1,2	40	2	0,570	3006610
40 UK EXPANSION SET	1,5 - 2	40	2	0,570	3300990
50 UK EXPANSION SET	1 - 1,2	50	2	0,642	3300991
50 UK EXPANSION SET	1,5 - 2	50	2	0,642	3300992
60 UK EXPANSION SET	1 - 1,2	60	2	0,712	3006611
60 UK EXPANSION SET	1,5 - 2	60	2	0,712	3300993
75 UK EXPANSION SET	1 - 1,2	75	2	0,818	3300994
100 UK EXPANSION SET	1,5 - 2	100	2	0,818	3300995

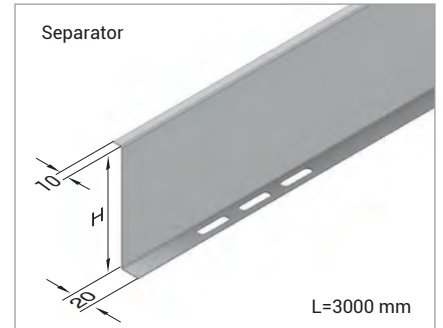
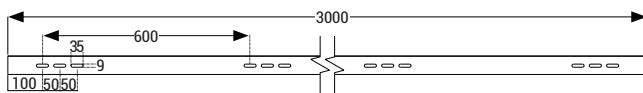


- Expansion set allows 35mm expansion.
- Expansion set includes 2 pcs expansion unit and 8 pcs bolts & nuts.

► UKE-UKFG-UKFE Separator

Pre-Galvanized (TS EN 10346 - TS EN 10143)

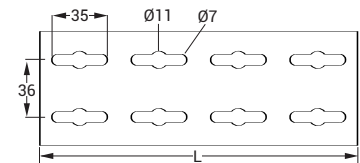
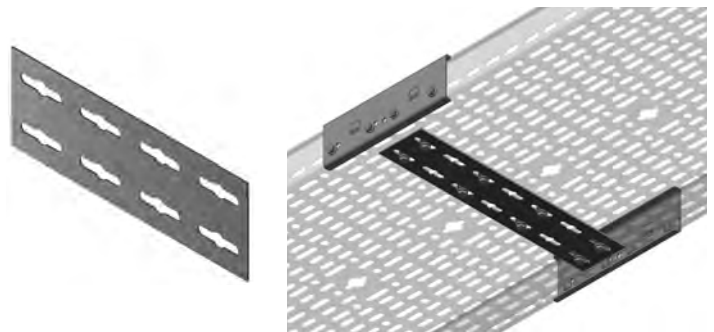
Description	H (mm)	T (mm)	Weight (kg/m)	PG Code
040 UKE-UKFG-UKFE SEPARATOR	35	0,8	0,378	3103127
050 UKE-UKFG-UKFE SEPARATOR	45	0,8	0,441	3103128
060 UKE-UKFG-UKFE SEPARATOR	55	0,8	0,491	3103129
075 UKE-UKFG-UKFE SEPARATOR	70	1	0,740	3299252
100 UKE-UKFG-UKFE SEPARATOR	95	1	0,952	3241740



► UK Fish Plate

Pre-Galvanized (TS EN 10346 - TS EN 10143)

Description	L (mm)	T=1,5		T=2	
		Weight (kg/pcs)	PG Code	Weight (kg/pcs)	PG Code
UK 100 Fish Plate	50	0,036	3264854	0,048	3264855
UK 150 Fish Plate	100	0,073	3264856	0,097	3264857
UK 200 Fish Plate	150	0,109	3264858	0,145	3264859
UK 250 Fish Plate	200	0,145	3264860	0,194	3264861
UK 300 Fish Plate	250	0,182	3264862	0,243	3264863
UK 400 Fish Plate	350	0,254	3264864	0,339	3264865
UK 500 Fish Plate	450	0,327	3264868	0,436	3264869
UK 600 Fish Plate	550	0,399	3264870	0,532	3264871



- Please contact your representative for inquiries regarding stainless steel alternatives.
- Please indicate order code in your orders.
- Please contact us for special dimensions.
- Material weights may vary by ± 10%

■ All dimensions are given as in mm

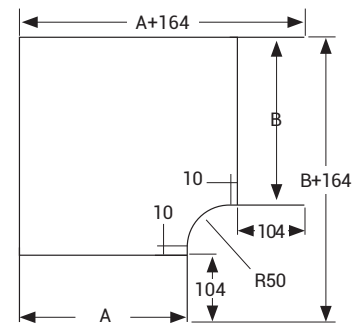
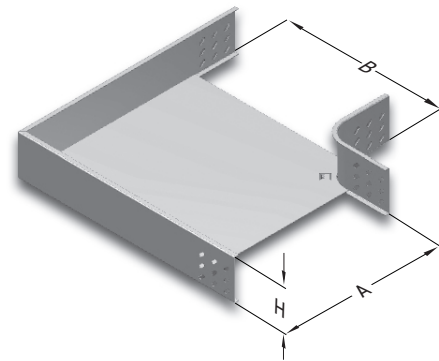
- PG= Pre-Galvanized
- HDG= Hot Dip Galvanized

►► BENDS

► UKE YD90° Horizontal Bend

Pre-Galvanized (TS EN 10346 - TS EN 10143)

Description	H (mm)	AB (mm)	T=1,2		T=1,5		T=2	
			Weight (kg/pcs)	PG Code	Weight (kg/pcs)	PG Code	Weight (kg/pcs)	PG Code
040 UKE 050 YD90°	40	50	0,515	3008527	0,643	3273854	0,860	3273918
040 UKE 100 YD90°	40	100	0,702	3008526	0,878	3273855	1,173	3273919
040 UKE 150 YD90°	40	150	0,938	3008525	1,172	3273856	1,564	3273920
040 UKE 200 YD90°	40	200	1,219	3008524	1,524	3273857	2,034	3273921
040 UKE 250 YD90°	40	250	1,548	3008523	1,936	3273858	2,583	3273922
040 UKE 300 YD90°	40	300	1,924	3008522	2,406	3273859	3,210	3273923
040 UKE 400 YD90°	40	400	2,817	3008521	3,523	3273860	4,699	3273924
040 UKE 500 YD90°	40	500	3,899	3008520	4,876	3273861	6,503	3273925
040 UKE 600 YD90°	40	600	5,169	3001754	6,463	3273862	8,621	3273926
050 UKE 050 YD90°	50	50	0,583	3273822	0,730	3273863	0,975	3273927
050 UKE 100 YD90°	50	100	0,780	3273823	0,976	3273864	1,304	3273928
050 UKE 150 YD90°	50	150	1,025	3273824	1,282	3273865	1,711	3273929
050 UKE 200 YD90°	50	200	1,316	3273825	1,646	3273866	2,196	3273930
050 UKE 250 YD90°	50	250	1,654	3273826	2,070	3273867	2,761	3273931
050 UKE 300 YD90°	50	300	2,040	3273827	2,551	3273868	3,404	3273932
050 UKE 400 YD90°	50	400	2,952	3273828	3,692	3273869	4,925	3273933
050 UKE 500 YD90°	50	500	4,052	3273829	5,068	3273870	6,759	3273934
050 UKE 600 YD90°	50	600	5,341	3273830	6,679	3273871	8,909	3273935
060 UKE 050 YD90°	60	50	0,654	3359042	0,818	3359043	1,090	3359044
060 UKE 100 YD90°	60	100	0,859	3008218	1,075	3273872	1,435	3273936
060 UKE 150 YD90°	60	150	1,113	3008217	1,392	3273873	1,857	3273937
060 UKE 200 YD90°	60	200	1,413	3008519	1,768	3273874	2,359	3273938
060 UKE 250 YD90°	60	250	1,761	3008518	2,203	3273875	2,939	3273939
060 UKE 300 YD90°	60	300	2,156	3008517	2,697	3273876	3,598	3273940
060 UKE 400 YD90°	60	400	3,087	3008516	3,861	3273877	5,150	3273941
060 UKE 500 YD90°	60	500	4,207	3008515	5,260	3273878	7,016	3273942
060 UKE 600 YD90°	60	600	5,514	3001755	6,895	3273879	9,197	3273943
075 UKE 100 YD90°	75	100	-	-	1,206	3273880	1,619	3273944
075 UKE 150 YD90°	75	150	-	-	1,541	3273881	2,066	3273945
075 UKE 200 YD90°	75	200	-	-	1,935	3273882	2,593	3273946
075 UKE 250 YD90°	75	250	-	-	2,388	3273883	3,198	3273947
075 UKE 300 YD90°	75	300	-	-	2,899	3273884	3,882	3273948
075 UKE 400 YD90°	75	400	-	-	4,099	3273885	5,484	3273949
075 UKE 500 YD90°	75	500	-	-	5,533	3273886	7,400	3273950
075 UKE 600 YD90°	75	600	-	-	7,203	3273887	9,631	3273951
100 UKE 100 YD90°	100	100	-	-	1,436	3273888	1,926	3273952
100 UKE 150 YD90°	100	150	-	-	1,800	3273889	2,413	3273953
100 UKE 200 YD90°	100	200	-	-	2,224	3273890	2,979	3273954
100 UKE 250 YD90°	100	250	-	-	2,706	3273891	3,623	3273955
100 UKE 300 YD90°	100	300	-	-	3,247	3273892	4,346	3273956
100 UKE 400 YD90°	100	400	-	-	4,505	3273893	6,027	3273957
100 UKE 500 YD90°	100	500	-	-	5,999	3273894	8,022	3273958
100 UKE 600 YD90°	100	600	-	-	7,728	3273895	10,331	3273959



■ Please contact your representative for inquiries regarding stainless steel alternatives.

■ Please indicate order code in your orders.

■ Please contact us for special dimensions.

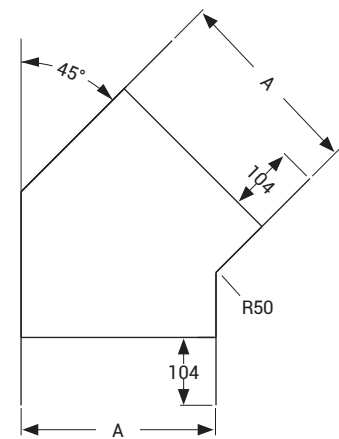
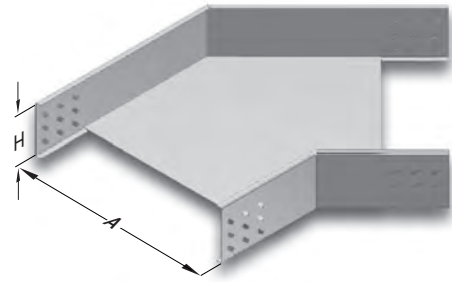
■ Material weights may vary by ± 10%

■ All dimensions are given as in mm

■ PG= Pre-Galvanized

■ HDG= Hot Dip Galvanized

Description	H (mm)	AB (mm)	T=1,2		T=1,5		T=2	
			Weight (kg/pcs)	PG Code	Weight (kg/pcs)	PG Code	Weight (kg/pcs)	PG Code
040 UKE 050 YD45°	40	50	0,410	3273510	0,513	3273443	0,683	3273377
040 UKE 100 YD45°	40	100	0,503	3273511	0,630	3273444	0,838	3273378
040 UKE 150 YD45°	40	150	0,616	3273512	0,771	3273445	1,027	3273379
040 UKE 200 YD45°	40	200	0,749	3273513	0,937	3273446	1,278	3273380
040 UKE 250 YD45°	40	250	0,901	3273514	1,126	3273447	1,501	3273381
040 UKE 300 YD45°	40	300	1,072	3273515	1,340	3273448	1,787	3273382
040 UKE 400 YD45°	40	400	1,473	3273516	1,843	3273449	2,455	3273383
040 UKE 500 YD45°	40	500	1,953	3273517	2,441	3273450	3,255	3273384
040 UKE 600 YD45	40	600	2,510	3273518	3,139	3273451	4,184	3273385
050 UKE 050 YD45°	50	50	0,468	3273519	0,587	3273452	0,781	3273386
050 UKE 100 YD45°	50	100	0,565	3273520	0,710	3273453	0,943	3273387
050 UKE 150 YD45°	50	150	0,682	3273521	0,855	3273454	1,138	3273388
050 UKE 200 YD45°	50	200	0,819	3273522	1,026	3273455	1,366	3273389
050 UKE 250 YD45°	50	250	0,975	3273523	1,220	3273456	1,626	3273390
050 UKE 300 YD45°	50	300	1,150	3273524	1,440	3273457	1,918	3273391
050 UKE 400 YD45°	50	400	1,559	3273525	1,952	3273458	2,599	3273392
050 UKE 500 YD45°	50	500	2,046	3273526	2,561	3273459	3,411	3273393
050 UKE 600 YD45°	50	600	2,611	3273527	3,268	3273460	4,354	3273394
060 UKE 050 YD45°	60	50	0,699	3359045	0,874	3359046	1,165	3359047
060 UKE 100 YD45°	60	100	0,629	3273528	0,788	3273461	1,047	3273395
060 UKE 150 YD45°	60	150	0,749	3273529	0,938	3273462	1,249	3273396
060 UKE 200 YD45°	60	200	0,890	3273530	1,114	3273463	1,482	3273397
060 UKE 250 YD45°	60	250	1,050	3273531	1,313	3273464	1,749	3273398
060 UKE 300 YD45°	60	300	1,229	3273532	1,537	3273465	2,048	3273399
060 UKE 400 YD45°	60	400	1,645	3273533	2,059	3273466	2,742	3273400
060 UKE 500 YD45°	60	500	2,141	3273534	2,678	3273467	3,567	3273401
060 UKE 600 YD45	60	600	2,713	3273535	3,395	3273468	4,523	3273402
075 UKE 100 YD45°	75	100	-	-	0,890	3273469	1,183	3273403
075 UKE 150 YD45°	75	150	-	-	1,048	3273470	1,394	3273404
075 UKE 200 YD45°	75	200	-	-	1,231	3273471	1,638	3273405
075 UKE 250 YD45°	75	250	-	-	1,438	3273472	1,914	3273406
075 UKE 300 YD45°	75	300	-	-	1,669	3273473	2,223	3273407
075 UKE 400 YD45°	75	400	-	-	2,206	3273474	2,936	3273408
075 UKE 500 YD45°	75	500	-	-	2,839	3273475	3,781	3273409
075 UKE 600 YD45°	75	600	-	-	3,571	3273476	4,756	3273410
100 UKE 100 YD45°	100	100	-	-	1,070	3273477	1,424	3273411
100 UKE 150 YD45°	100	150	-	-	1,239	3273478	1,651	3273412
100 UKE 200 YD45°	100	200	-	-	1,435	3273479	1,911	3273413
100 UKE 250 YD45°	100	250	-	-	1,654	3273480	2,204	3273414
100 UKE 300 YD45°	100	300	-	-	1,897	3273481	2,528	3273415
100 UKE 400 YD45°	100	400	-	-	2,459	3273482	3,275	3273416
100 UKE 500 YD45°	100	500	-	-	3,116	3273483	4,152	3273417
100 UKE 600 YD45°	100	600	-	-	3,872	3273484	5,159	3273418



■ Please contact your representative for inquiries regarding stainless steel alternatives.

■ Please indicate order code in your orders.

■ Please contact us for special dimensions.

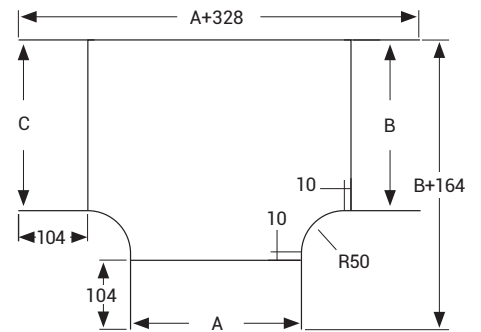
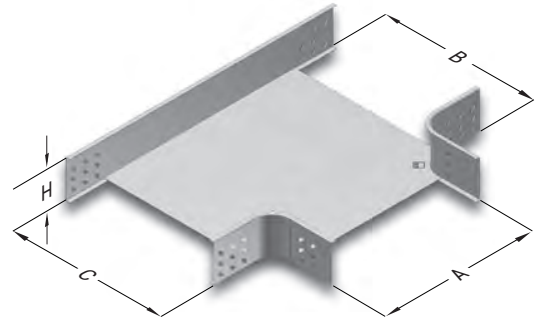
■ Material weights may vary by ± 10%

■ All dimensions are given as in mm

■ PG= Pre-Galvanized

■ HDG= Hot Dip Galvanized

Description	H (mm)	ABC (mm)	T=1,2		T=1,5		T=2	
			Weight (kg/pcs)	PG Code	Weight (kg/pcs)	PG Code	Weight (kg/pcs)	PG Code
040 UKE 050 YT	40	50	0,520	3008501	0,875	3274030	1,169	3274094
040 UKE 100 YT	40	100	0,706	3008500	1,107	3274031	1,478	3274095
040 UKE 150 YT	40	150	0,938	3008499	1,398	3274032	1,866	3274096
040 UKE 200 YT	40	200	1,218	3008498	1,748	3274033	2,332	3274097
040 UKE 250 YT	40	250	1,545	3008497	2,156	3274034	2,878	3274098
040 UKE 300 YT	40	300	1,919	3008496	2,624	3274035	3,501	3274099
040 UKE 400 YT	40	400	2,809	3008495	3,735	3274036	4,982	3274100
040 UKE 500 YT	40	500	3,886	3008494	5,082	3274037	6,779	3274101
040 UKE 600 YT	40	600	5,152	3001756	6,665	3274038	8,888	3274102
050 UKE 050 YT	50	50	0,583	3273998	0,992	3274039	1,326	3274103
050 UKE 100 YT	50	100	0,774	3273999	1,229	3274040	1,644	3274104
050 UKE 150 YT	50	150	1,011	3274000	1,526	3274041	2,040	3274105
050 UKE 200 YT	50	200	1,296	3274001	1,882	3274042	2,514	3274106
050 UKE 250 YT	50	250	1,628	3274002	2,296	3274043	3,068	3274107
050 UKE 300 YT	50	300	2,007	3274003	2,770	3274044	3,699	3274108
050 UKE 400 YT	50	400	2,905	3274004	3,893	3274045	5,197	3274109
050 UKE 500 YT	50	500	3,992	3274005	5,252	3274046	7,010	3274110
050 UKE 600 YT	50	600	5,268	3274006	6,846	3274047	9,135	3274111
060 UKE 050 YT	60	50	0,886	3359048	1,118	3359049	1,490	3359050
060 UKE 100 YT	60	100	1,081	3008215	1,352	3274048	1,807	3274112
060 UKE 150 YT	60	150	1,322	3008214	1,654	3274049	2,211	3274113
060 UKE 200 YT	60	200	1,612	3008493	2,017	3274050	2,693	3274114
060 UKE 250 YT	60	250	1,948	3008492	2,436	3274051	3,254	3274115
060 UKE 300 YT	60	300	2,332	3008491	2,915	3274052	3,894	3274116
060 UKE 400 YT	60	400	3,240	3008490	4,050	3274053	5,407	3274117
060 UKE 500 YT	60	500	4,336	3008489	5,421	3274054	7,236	3274118
060 UKE 600 YT	60	600	5,621	3001757	7,027	3274055	9,377	3274119
075 UKE 100 YT	75	100	-	-	1,512	3274056	2,019	3274120
075 UKE 150 YT	75	150	-	-	1,823	3274057	2,435	3274121
075 UKE 200 YT	75	200	-	-	2,194	3274058	2,929	3274122
075 UKE 250 YT	75	250	-	-	2,622	3274059	3,502	3274123
075 UKE 300 YT	75	300	-	-	3,111	3274060	4,153	3274124
075 UKE 400 YT	75	400	-	-	4,263	3274061	5,690	3274125
075 UKE 500 YT	75	500	-	-	5,652	3274062	7,542	3274126
075 UKE 600 YT	75	600	-	-	7,275	3274063	9,707	3274127
100 UKE 100 YT	100	100	-	-	1,786	3274064	2,397	3274128
100 UKE 150 YT	100	150	-	-	2,112	3274065	2,833	3274129
100 UKE 200 YT	100	200	-	-	2,498	3274066	3,346	3274130
100 UKE 250 YT	100	250	-	-	2,941	3274067	3,939	3274131
100 UKE 300 YT	100	300	-	-	3,444	3274068	4,610	3274132
100 UKE 400 YT	100	400	-	-	4,626	3274069	6,186	3274133
100 UKE 500 YT	100	500	-	-	6,044	3274070	8,077	3274134
100 UKE 600 YT	100	600	-	-	7,697	3274071	10,281	3274135



■ Please contact your representative for inquiries regarding stainless steel alternatives.

■ Please indicate order code in your orders.

■ Please contact us for special dimensions.

■ Material weights may vary by ± 10%

■ All dimensions are given as in mm

■ PG= Pre-Galvanized

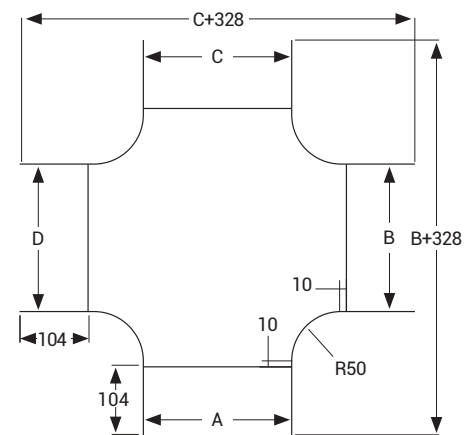
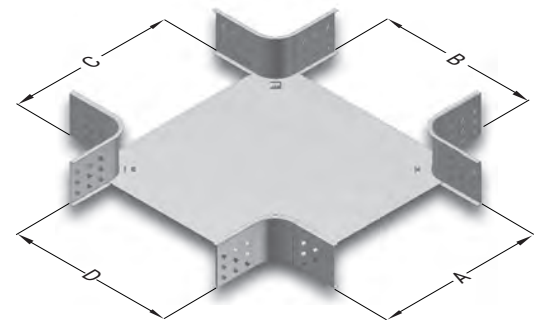
■ HDG= Hot Dip Galvanized

►► BENDS

► UKE AD Cross Over Bend

Pre-Galvanized (TS EN 10346 - TS EN 10143)

Description	H (mm)	ABC (mm)	T=1,2		T=1,5		T=2	
			Weight (kg/pcs)	PG Code	Weight (kg/pcs)	PG Code	Weight (kg/pcs)	PG Code
040 UKE 050 AD	40	50	0,877	3008514	1,096	3272418	1,465	3272482
040 UKE 100 AD	40	100	1,060	3008513	1,326	3272419	1,771	3272483
040 UKE 150 AD	40	150	1,291	3008512	1,614	3272420	2,156	3272484
040 UKE 200 AD	40	200	1,569	3008511	1,961	3272421	2,619	3272485
040 UKE 250 AD	40	250	1,894	3008510	2,368	3272422	3,161	3272486
040 UKE 300 AD	40	300	2,266	3008509	2,833	3272423	3,781	3272487
040 UKE 400 AD	40	400	3,152	3008508	3,940	3272424	5,257	3272488
040 UKE 500 AD	40	500	4,226	3008507	5,282	3272425	7,047	3272489
040 UKE 600 AD	40	600	5,506	3001758	6,860	3272426	9,150	3272490
050 UKE 050 AD	50	50	0,989	3272388	1,240	3272427	1,657	3272491
050 UKE 100 AD	50	100	1,172	3272389	1,470	3272428	1,963	3272492
050 UKE 150 AD	50	150	1,403	3272390	1,758	3272429	2,348	3272493
050 UKE 200 AD	50	200	1,681	3272391	2,105	3272430	2,811	3272494
050 UKE 250 AD	50	250	2,006	3272392	2,512	3272431	3,353	3272495
050 UKE 300 AD	50	300	2,378	3272393	2,977	3272432	3,973	3272496
050 UKE 400 AD	50	400	3,264	3272394	4,084	3272433	5,449	3272497
050 UKE 500 AD	50	500	4,338	3272395	5,426	3272434	7,239	3272498
050 UKE 600 AD	50	600	5,618	3272396	7,004	3272435	9,342	3272499
060 UKE 050 AD	60	50	1,110	3359051	1,388	3359052	1,850	3359053
060 UKE 100 AD	60	100	1,288	3008212	1,614	3272436	2,155	3272500
060 UKE 150 AD	60	150	1,519	3008211	1,902	3272437	2,540	3272501
060 UKE 200 AD	60	200	1,797	3008506	2,249	3272438	3,003	3272502
060 UKE 250 AD	60	250	2,122	3008505	2,656	3272439	3,545	3272503
060 UKE 300 AD	60	300	2,494	3008504	3,121	3272440	4,165	3272504
060 UKE 400 AD	60	400	3,380	3008503	4,228	3272441	5,641	3272505
060 UKE 500 AD	60	500	4,454	3008502	5,570	3272442	7,431	3272506
060 UKE 600 AD	60	600	5,734	3001759	7,148	3272443	9,534	3272507
075 UKE 100 AD	75	100	-	-	1,798	3272444	2,399	3272508
075 UKE 150 AD	75	150	-	-	2,086	3272445	2,784	3272509
075 UKE 200 AD	75	200	-	-	2,433	3272446	3,247	3272510
075 UKE 250 AD	75	250	-	-	2,840	3272447	3,789	3272511
075 UKE 300 AD	75	300	-	-	3,305	3272448	4,409	3272512
075 UKE 400 AD	75	400	-	-	4,412	3272449	5,885	3272513
075 UKE 500 AD	75	500	-	-	5,754	3272450	7,675	3272514
075 UKE 600 AD	75	600	-	-	7,332	3272451	9,778	3272515
100 UKE 100 AD	100	100	-	-	2,126	3272452	2,839	3272516
100 UKE 150 AD	100	150	-	-	2,414	3272453	3,224	3272517
100 UKE 200 AD	100	200	-	-	2,761	3272454	3,687	3272518
100 UKE 250 AD	100	250	-	-	3,168	3272455	4,229	3272519
100 UKE 300 AD	100	300	-	-	3,633	3272456	4,849	3272520
100 UKE 400 AD	100	400	-	-	4,740	3272457	6,325	3272521
100 UKE 500 AD	100	500	-	-	6,082	3272458	8,115	3272522
100 UKE 600 AD	100	600	-	-	7,660	3272459	10,218	3272523



■ Please contact your representative for inquiries regarding stainless steel alternatives.

■ Please indicate order code in your orders.

■ Please contact us for special dimensions.

■ Material weights may vary by $\pm 10\%$

■ All dimensions are given as in mm

■ PG= Pre-Galvanized

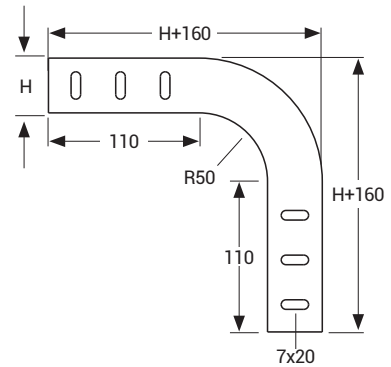
■ HDG= Hot Dip Galvanized

►► BENDS

► UKE DD Vertical Outside Bend

Pre-Galvanized (TS EN 10346 - TS EN 10143)

Description	H (mm)	A (mm)	T=1,2		T=1,5		T=2	
			Weight (kg/pcs)	PG Code	Weight (kg/pcs)	PG Code	Weight (kg/pcs)	PG Code
040 UKE 050 DD	40	50	0,446	3008475	0,542	3272670	0,722	3272560
040 UKE 100 DD	40	100	0,478	3008474	0,596	3272671	0,795	3272561
040 UKE 150 DD	40	150	0,522	3008473	0,651	3272672	0,869	3272562
040 UKE 200 DD	40	200	0,565	3008472	0,705	3272673	0,941	3272563
040 UKE 250 DD	40	250	0,610	3008471	0,761	3272674	1,016	3272564
040 UKE 300 DD	40	300	0,653	3008470	0,815	3272675	1,088	3272565
040 UKE 400 DD	40	400	0,740	3008469	0,925	3272676	1,235	3272566
040 UKE 500 DD	40	500	0,828	3008468	1,035	3272677	1,381	3272567
040 UKE 600 DD	40	600	0,914	3001762	1,143	3272678	1,526	3272568
050 UKE 050 DD	50	50	0,510	3272725	0,624	3272679	0,832	3272569
050 UKE 100 DD	50	100	0,542	3272726	0,678	3272680	0,905	3272570
050 UKE 150 DD	50	150	0,586	3272727	0,733	3272681	0,979	3272571
050 UKE 200 DD	50	200	0,629	3272728	0,787	3272682	1,051	3272572
050 UKE 250 DD	50	250	0,674	3272729	0,843	3272683	1,126	3272573
050 UKE 300 DD	50	300	0,717	3272730	0,897	3272684	1,198	3272574
050 UKE 400 DD	50	400	0,804	3272731	1,007	3272685	1,345	3272575
050 UKE 500 DD	50	500	0,892	3272732	1,117	3272686	1,491	3272576
050 UKE 600 DD	50	600	0,978	3272733	1,225	3272687	1,636	3272577
060 UKE 050 DD	60	50	0,565	3359054	0,707	3359055	0,942	3359056
060 UKE 100 DD	60	100	0,612	3008209	0,764	3272688	1,019	3272578
060 UKE 150 DD	60	150	0,656	3008208	0,819	3272689	1,093	3272579
060 UKE 200 DD	60	200	0,699	3008467	0,873	3272690	1,165	3272580
060 UKE 250 DD	60	250	0,744	3008466	0,929	3272691	1,240	3272581
060 UKE 300 DD	60	300	0,787	3008465	0,983	3272692	1,312	3272582
060 UKE 400 DD	60	400	0,874	3008464	1,093	3272693	1,459	3272583
060 UKE 500 DD	60	500	0,962	3008463	1,203	3272694	1,605	3272584
060 UKE 600 DD	60	600	1,048	3001763	1,311	3272695	1,750	3272585
075 UKE 100 DD	75	100	-	-	0,898	3272696	1,199	3272586
075 UKE 150 DD	75	150	-	-	0,953	3272697	1,273	3272587
075 UKE 200 DD	75	200	-	-	1,007	3272698	1,345	3272588
075 UKE 250 DD	75	250	-	-	1,063	3272699	1,420	3272589
075 UKE 300 DD	75	300	-	-	1,117	3272700	1,492	3272590
075 UKE 400 DD	75	400	-	-	1,227	3272701	1,639	3272591
075 UKE 500 DD	75	500	-	-	1,337	3272702	1,785	3272592
075 UKE 600 DD	75	600	-	-	1,445	3272703	1,930	3272593
100 UKE 100 DD	100	100	-	-	1,142	3272704	1,523	3272594
100 UKE 150 DD	100	150	-	-	1,197	3272705	1,597	3272595
100 UKE 200 DD	100	200	-	-	1,251	3272706	1,669	3272596
100 UKE 250 DD	100	250	-	-	1,307	3272707	1,744	3272597
100 UKE 300 DD	100	300	-	-	1,361	3272708	1,816	3272598
100 UKE 400 DD	100	400	-	-	1,471	3272709	1,963	3272599
100 UKE 500 DD	100	500	-	-	1,581	3272710	2,109	3272600
100 UKE 600 DD	100	600	-	-	1,689	3272711	2,254	3272601



■ Please contact your representative for inquiries regarding stainless steel alternatives.

■ Please indicate order code in your orders.

■ Please contact us for special dimensions.

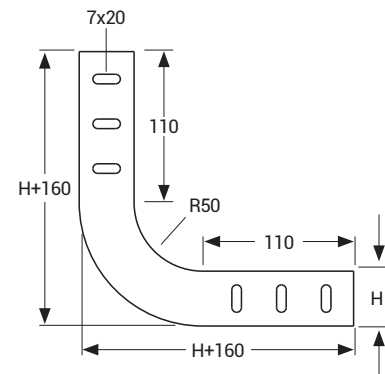
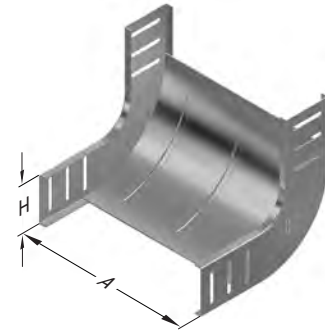
■ Material weights may vary by ± 10%

■ All dimensions are given as in mm

■ PG= Pre-Galvanized

■ HDG= Hot Dip Galvanized

Description	H (mm)	A (mm)	T=1,2		T=1,5		T=2	
			Weight (kg/pcs)	PG Code	Weight (kg/pcs)	PG Code	Weight (kg/pcs)	PG Code
040 UKE 050 ID	40	50	0,463	3008488	0,577	3273269	0,769	3273205
040 UKE 100 ID	40	100	0,536	3008487	0,669	3273270	0,892	3273206
040 UKE 150 ID	40	150	0,610	3008486	0,761	3273271	1,015	3273207
040 UKE 200 ID	40	200	0,683	3008485	0,852	3273272	1,136	3273208
040 UKE 250 ID	40	250	0,757	3008484	0,944	3273273	1,259	3273209
040 UKE 300 ID	40	300	0,829	3008483	1,035	3273274	1,379	3273210
040 UKE 400 ID	40	400	0,976	3008482	1,218	3273275	1,623	3273211
040 UKE 500 ID	40	500	1,122	3008481	1,400	3273276	1,867	3273212
040 UKE 600 ID	40	600	1,268	3001760	1,582	3273277	2,108	3273213
050 UKE 050 ID	50	50	0,534	3273333	0,668	3273278	0,891	3273214
050 UKE 100 ID	50	100	0,615	3273334	0,770	3273279	1,027	3273215
050 UKE 150 ID	50	150	0,697	3273335	0,871	3273280	1,163	3273216
050 UKE 200 ID	50	200	0,777	3273336	0,971	3273281	1,296	3273217
050 UKE 250 ID	50	250	0,858	3273337	1,073	3273282	1,431	3273218
050 UKE 300 ID	50	300	0,938	3273338	1,173	3273283	1,564	3273219
050 UKE 400 ID	50	400	1,099	3273339	1,374	3273284	1,833	3273220
050 UKE 500 ID	50	500	1,261	3273340	1,576	3273285	2,102	3273221
050 UKE 600 ID	50	600	1,421	3273341	1,776	3273286	2,368	3273222
060 UKE 050 ID	60	50	0,609	3008205	0,761	3359057	1,015	3359058
060 UKE 100 ID	60	100	0,700	3008206	0,874	3273287	1,166	3273223
060 UKE 150 ID	60	150	0,789	3008207	0,985	3273288	1,314	3273224
060 UKE 200 ID	60	200	0,877	3008480	1,095	3273289	1,460	3273225
060 UKE 250 ID	60	250	0,966	3008479	1,206	3273290	1,608	3273226
060 UKE 300 ID	60	300	1,053	3008478	1,315	3273291	1,753	3273227
060 UKE 400 ID	60	400	1,229	3008477	1,535	3273292	2,047	3273228
060 UKE 500 ID	60	500	1,406	3008476	1,755	3273293	2,341	3273229
060 UKE 600 ID	60	600	1,581	3001761	1,974	3273294	2,631	3273230
075 UKE 100 ID	75	100	-	-	1,036	3273295	1,383	3273231
075 UKE 150 ID	75	150	-	-	1,135	3273296	1,551	3273232
075 UKE 200 ID	75	200	-	-	1,285	3273297	1,715	3273233
075 UKE 250 ID	75	250	-	-	1,410	3273298	1,882	3273234
075 UKE 300 ID	75	300	-	-	1,533	3273299	2,046	3273235
075 UKE 400 ID	75	400	-	-	1,781	3273300	2,377	3273236
075 UKE 500 ID	75	500	-	-	2,029	3273301	2,708	3273237
075 UKE 600 ID	75	600	-	-	2,275	3273302	3,036	3273238
100 UKE 100 ID	100	100	-	-	1,327	3273303	1,770	3273239
100 UKE 150 ID	100	150	-	-	1,476	3273304	1,969	3273240
100 UKE 200 ID	100	200	-	-	1,622	3273305	2,163	3273241
100 UKE 250 ID	100	250	-	-	1,771	3273306	2,363	3273242
100 UKE 300 ID	100	300	-	-	1,917	3273307	2,557	3273243
100 UKE 400 ID	100	400	-	-	2,212	3273308	2,951	3273244
100 UKE 500 ID	100	500	-	-	2,507	3273309	3,345	3273245
100 UKE 600 ID	100	600	-	-	2,799	3273310	3,734	3273246



■ Please contact your representative for inquiries regarding stainless steel alternatives.

■ Please indicate order code in your orders.

■ Please contact us for special dimensions.

■ Material weights may vary by ± 10%

■ All dimensions are given as in mm

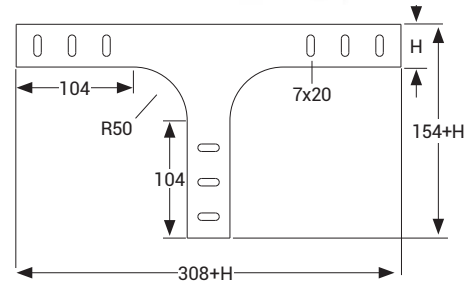
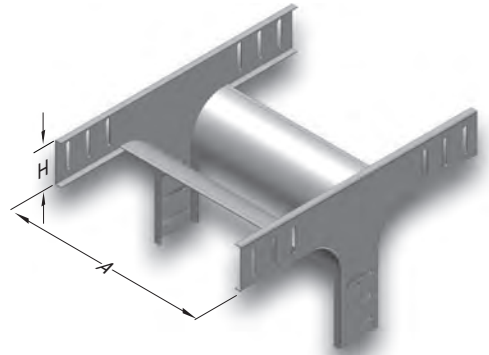
■ PG= Pre-Galvanized

■ HDG= Hot Dip Galvanized

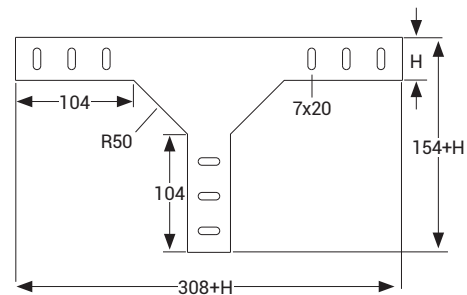
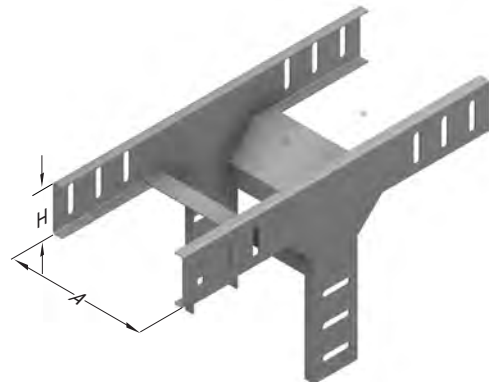
►► BENDS

► UKE Centre Descent Bend R=50 Pre-Galvanized (TS EN 10346 - TS EN 10143)

Description	H (mm)	A (mm)	T (mm)	Weight (kg/pcs)	PG Code
040 UKE 50 TO	40	50	1,2	0,630	3195732
040 UKE 100 TO	40	100	1,2	0,704	3195733
040 UKE 150 TO	40	150	1,2	0,780	3195734
040 UKE 200 TO	40	200	1,2	0,854	3195735
040 UKE 250 TO	40	250	1,2	0,928	3195736
040 UKE 300 TO	40	300	1,2	1,022	3195737
040 UKE 400 TO	40	400	1,2	1,152	3195738
040 UKE 500 TO	40	500	1,2	1,300	3195739
040 UKE 600 TO	40	600	1,2	1,450	3195740
060 UKE 50 TO	60	50	1,2	0,822	3195741
060 UKE 100 TO	60	100	1,2	0,896	3195742
060 UKE 150 TO	60	150	1,2	0,972	3195743
060 UKE 200 TO	60	200	1,2	1,046	3195744
060 UKE 250 TO	60	250	1,2	1,120	3195745
060 UKE 300 TO	60	300	1,2	1,214	3195746
060 UKE 400 TO	60	400	1,2	1,344	3195747
060 UKE 500 TO	60	500	1,2	1,492	3195748
060 UKE 600 TO	60	600	1,2	1,642	3195749



Description	H (mm)	A (mm)	T (mm)	Weight (kg/pcs)	PG Code
050 UKE 50 TO	50	50	1,2	0,716	3299999
050 UKE 100 TO	50	100	1,2	0,794	3300000
050 UKE 150 TO	50	150	1,2	0,873	3300001
050 UKE 200 TO	50	200	1,2	0,952	3300002
050 UKE 250 TO	50	250	1,2	1,031	3300003
050 UKE 300 TO	50	300	1,2	1,11	3300004
050 UKE 400 TO	50	400	1,2	1,267	3300005
050 UKE 500 TO	50	500	1,2	1,425	3300006
050 UKE 600 TO	50	600	1,2	1,583	3300007
075 UKE 100 TO	75	100	1,2	1,046	3300008
075 UKE 150 TO	75	150	1,2	1,125	3300009
075 UKE 200 TO	75	200	1,2	1,204	3300010
075 UKE 250 TO	75	250	1,2	1,282	3300011
075 UKE 300 TO	75	300	1,2	1,361	3300012
075 UKE 400 TO	75	400	1,2	1,519	3300013
075 UKE 500 TO	75	500	1,2	1,677	3300014
075 UKE 600 TO	75	600	1,2	1,834	3300015
100 UKE 100 TO	100	100	1,2	1,328	3300016
100 UKE 150 TO	100	150	1,2	1,406	3300017
100 UKE 200 TO	100	200	1,2	1,485	3300018
100 UKE 250 TO	100	250	1,2	1,564	3300019
100 UKE 300 TO	100	300	1,2	1,643	3300020
100 UKE 400 TO	100	400	1,2	1,801	3300021
100 UKE 500 TO	100	500	1,2	1,958	3300022
100 UKE 600 TO	100	600	1,2	2,116	3300023



- Please contact your representative for inquiries regarding stainless steel alternatives.
- Please indicate order code in your orders.
- Please contact us for special dimensions.
- Material weights may vary by ± 10%

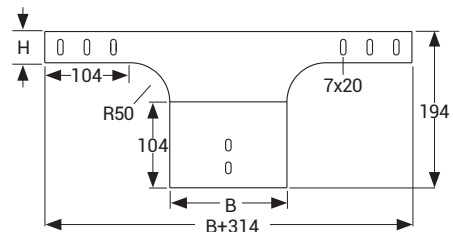
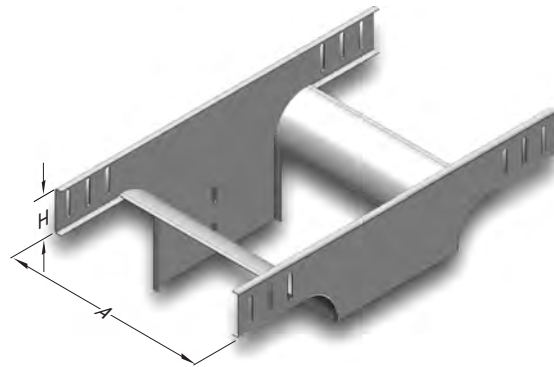
■ All dimensions are given as in mm

- PG= Pre-Galvanized
- HDG= Hot Dip Galvanized

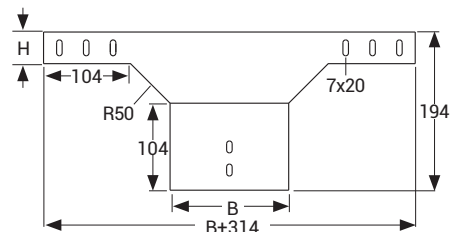
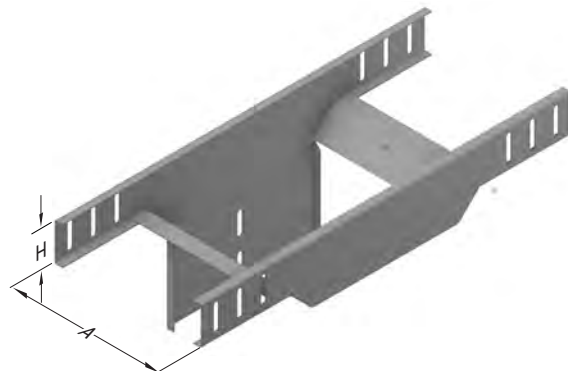
► UKE Wall Mounted Bend R=50

Pre-Galvanized (TS EN 10346 - TS EN 10143)

Description	H (mm)	A (mm)	B (mm)	T (mm)	Weight (kg/pcs)	PG Code
040 UKE 50 TD	40	50	50	1,2	0,605	3195713
040 UKE 100 TD	40	100	100	1,2	0,822	3195714
040 UKE 150 TD	40	150	150	1,2	1,042	3195715
040 UKE 200 TD	40	200	200	1,2	1,260	3195716
040 UKE 250 TD	40	250	200	1,2	1,334	3195717
040 UKE 300 TD	40	300	200	1,2	1,428	3195718
040 UKE 400 TD	40	400	200	1,2	1,558	3195719
040 UKE 500 TD	40	500	200	1,2	1,706	3195720
040 UKE 600 TD	40	600	200	1,2	1,856	3195721
060 UKE 50 TD	60	50	50	1,2	0,723	3195722
060 UKE 100 TD	60	100	100	1,2	0,960	3195724
060 UKE 150 TD	60	150	150	1,2	1,199	3195725
060 UKE 200 TD	60	200	200	1,2	1,436	3195726
060 UKE 250 TD	60	250	200	1,2	1,510	3195727
060 UKE 300 TD	60	300	200	1,2	1,604	3195728
060 UKE 400 TD	60	400	200	1,2	1,734	3195729
060 UKE 500 TD	60	500	200	1,2	1,882	3195730
060 UKE 600 TD	60	600	200	1,2	2,032	3195731



Description	H (mm)	A (mm)	B (mm)	T (mm)	Weight (kg/pcs)	PG Code
050 UKE 50 TD	50	50	50	1,2	0,616	3299974
050 UKE 100 TD	50	100	100	1,2	0,818	3299975
050 UKE 150 TD	50	150	150	1,2	1,020	3299976
050 UKE 200 TD	50	200	200	1,2	1,222	3299977
050 UKE 250 TD	50	250	200	1,2	1,280	3299978
050 UKE 300 TD	50	300	200	1,2	1,339	3299979
050 UKE 400 TD	50	400	200	1,2	1,457	3299980
050 UKE 500 TD	50	500	200	1,2	1,575	3299981
050 UKE 600 TD	50	600	200	1,2	1,693	3299982
075 UKE 100 TD	75	100	50	1,2	0,996	3299983
075 UKE 150 TD	75	150	100	1,2	1,221	3299984
075 UKE 200 TD	75	200	150	1,2	1,447	3299985
075 UKE 250 TD	75	250	200	1,2	1,505	3299986
075 UKE 300 TD	75	300	200	1,2	1,564	3299987
075 UKE 400 TD	75	400	200	1,2	1,682	3299988
075 UKE 500 TD	75	500	200	1,2	1,801	3299989
075 UKE 600 TD	75	600	200	1,2	1,918	3299990
100 UKE 100 TD	100	100	50	1,2	1,173	3299991
100 UKE 150 TD	100	150	100	1,2	1,421	3299992
100 UKE 200 TD	100	200	150	1,2	1,670	3299993
100 UKE 250 TD	100	250	200	1,2	1,729	3299994
100 UKE 300 TD	100	300	200	1,2	1,788	3299995
100 UKE 400 TD	100	400	200	1,2	1,906	3299996
100 UKE 500 TD	100	500	200	1,2	2,024	3299997
100 UKE 600 TD	100	600	200	1,2	2,142	3299998



■ Please contact your representative for inquiries regarding stainless steel alternatives.

■ Please indicate order code in your orders.

■ Please contact us for special dimensions.

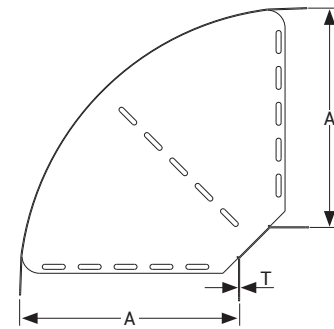
■ Material weights may vary by ± 10%

■ All dimensions are given as in mm

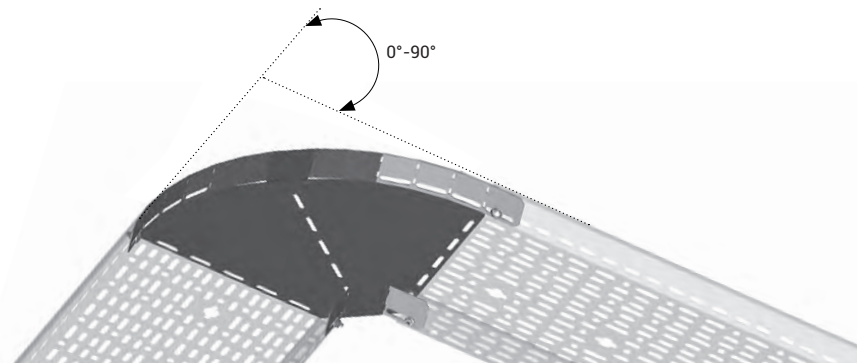
■ PG= Pre-Galvanized

■ HDG= Hot Dip Galvanized

Description	H (mm)	A (mm)	T=1,2		T=1,5		T=2	
			Weight (kg/pcs)	PG Code	Weight (kg/pcs)	PG Code	Weight (kg/pcs)	PG Code
40 UK 100 FLEXIBLE BEND	40	100	0,274	3300091	0,342	3134573	0,456	3300121
40 UK 150 FLEXIBLE BEND	40	150	0,418	3358622	0,522	3358612	0,696	3358632
40 UK 200 FLEXIBLE BEND	40	200	0,612	3300092	0,765	3134575	1,020	3300122
40 UK 250 FLEXIBLE BEND	40	250	0,830	3358623	1,038	3358613	1,384	3358633
40 UK 300 FLEXIBLE BEND	40	300	1,085	3300093	1,356	3134576	1,808	3300123
40 UK 400 FLEXIBLE BEND	40	400	1,740	3300094	2,175	3134577	2,900	3300124
40 UK 500 FLEXIBLE BEND	40	500	2,522	3300095	3,153	3134578	4,204	3300125
40 UK 600 FLEXIBLE BEND	40	600	3,454	3300096	4,317	3134579	5,756	3300126
50 UK 100 FLEXIBLE BEND	50	100	0,324	3300097	0,405	3300073	0,540	3300127
50 UK 150 FLEXIBLE BEND	50	150	0,473	3358624	0,592	3358614	0,789	3358634
50 UK 200 FLEXIBLE BEND	50	200	0,682	3300098	0,852	3300074	1,136	3300128
50 UK 250 FLEXIBLE BEND	50	250	0,904	3358625	1,131	3358615	1,508	3358635
50 UK 300 FLEXIBLE BEND	50	300	1,164	3300099	1,455	3300075	1,940	3300129
50 UK 400 FLEXIBLE BEND	50	400	1,847	3300100	2,309	3300076	3,079	3300130
50 UK 500 FLEXIBLE BEND	50	500	2,649	3300101	3,311	3300077	4,415	3300131
50 UK 600 FLEXIBLE BEND	50	600	3,598	3300102	4,498	3300078	5,997	3300132
60 UK 100 FLEXIBLE BEND	60	100	0,374	3300103	0,467	3134588	0,623	3300133
60 UK 150 FLEXIBLE BEND	60	150	0,527	3358626	0,659	3358616	0,879	3358636
60 UK 200 FLEXIBLE BEND	60	200	0,749	3300104	0,936	3134590	1,248	3300134
60 UK 250 FLEXIBLE BEND	60	250	0,979	3358627	1,224	3358617	1,632	3358637
60 UK 300 FLEXIBLE BEND	60	300	1,241	3300105	1,551	3134591	2,068	3300135
60 UK 400 FLEXIBLE BEND	60	400	1,950	3300106	2,438	3134592	3,251	3300136
60 UK 500 FLEXIBLE BEND	60	500	2,770	3300107	3,462	3134593	4,616	3300137
60 UK 600 FLEXIBLE BEND	60	600	3,737	3300108	4,671	3134594	6,228	3300138
75 UK 100 FLEXIBLE BEND	75	100	0,431	3300109	0,539	3300079	0,719	3300139
75 UK 150 FLEXIBLE BEND	75	150	0,592	3358628	0,740	3358618	0,987	3358638
75 UK 200 FLEXIBLE BEND	75	200	0,822	3300110	1,028	3300080	1,371	3300140
75 UK 250 FLEXIBLE BEND	75	250	1,057	3358629	1,321	3358619	1,761	3358639
75 UK 300 FLEXIBLE BEND	75	300	1,328	3300111	1,66	3300081	2,213	3300141
75 UK 400 FLEXIBLE BEND	75	400	2,062	3300112	2,578	3300082	3,437	3300142
75 UK 500 FLEXIBLE BEND	75	500	2,897	3300113	3,621	3300083	4,828	3300143
75 UK 600 FLEXIBLE BEND	75	600	3,880	3300114	4,85	3300084	6,467	3300144
100 UK 100 FLEXIBLE BEND	100	100	0,538	3300115	0,673	3300085	0,897	3300145
100 UK 150 FLEXIBLE BEND	100	150	0,718	3358630	0,897	3358620	1,196	3358640
100 UK 200 FLEXIBLE BEND	100	200	0,963	3300116	1,204	3300086	1,605	3300146
100 UK 250 FLEXIBLE BEND	100	250	1,210	3358631	1,513	3358621	2,017	3358641
100 UK 300 FLEXIBLE BEND	100	300	1,492	3300117	1,865	3300087	2,487	3300147
100 UK 400 FLEXIBLE BEND	100	400	2,277	3300118	2,846	3300088	3,795	3300148
100 UK 500 FLEXIBLE BEND	100	500	3,145	3300119	3,931	3300089	5,241	3300149
100 UK 600 FLEXIBLE BEND	100	600	4,162	3300120	5,202	3300090	6,936	3300150



* M6x12 bolt set should be used with the product.



■ Please contact your representative for inquiries regarding stainless steel alternatives.

■ Please indicate order code in your orders.

■ Please contact us for special dimensions.

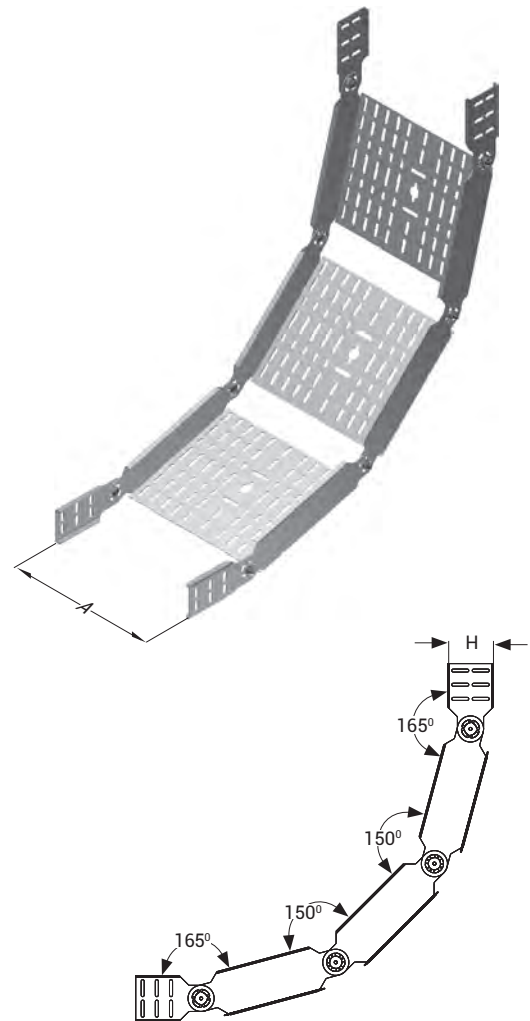
■ Material weights may vary by ± 10%

■ All dimensions are given as in mm

■ PG= Pre-Galvanized

■ HDG= Hot Dip Galvanized

Description	H (mm)	A (mm)	T=1,2		T=1,5		T=2	
			Weight (kg/pcs)	PG Code	Weight (kg/pcs)	PG Code	Weight (kg/pcs)	PG Code
040 UKE 050 SDM	40	50	1,312	3008454	1,640	3300236	2,186	3300291
040 UKE 100 SDM	40	100	1,543	3008453	1,928	3300237	2,571	3300292
040 UKE 150 SDM	40	150	1,774	3008452	2,218	3300238	2,957	3300293
040 UKE 200 SDM	40	200	2,006	3008451	2,507	3300239	3,343	3300294
040 UKE 250 SDM	40	250	2,237	3008450	2,797	3300240	3,729	3300295
040 UKE 300 SDM	40	300	2,469	3008449	3,086	3300241	4,115	3300296
040 UKE 400 SDM	40	400	2,932	3008448	3,665	3300242	4,887	3300297
040 UKE 500 SDM	40	500	3,395	3008447	4,244	3300243	5,659	3300298
040 UKE 600 SDM	40	600	3,859	3001764	4,823	3300244	6,431	3300299
050 UKE 050 SDM	50	50	1,460	3300211	1,826	3300245	2,434	3300300
050 UKE 100 SDM	50	100	1,692	3300212	2,115	3300246	2,820	3300301
050 UKE 150 SDM	50	150	1,923	3300213	2,405	3300247	3,206	3300302
050 UKE 200 SDM	50	200	2,155	3300214	2,694	3300248	3,592	3300303
050 UKE 250 SDM	50	250	2,386	3300215	2,984	3300249	3,978	3300304
050 UKE 300 SDM	50	300	2,618	3300216	3,273	3300250	4,364	3300305
050 UKE 400 SDM	50	400	3,031	3300217	3,852	3300251	5,136	3300306
050 UKE 500 SDM	50	500	3,544	3300218	4,430	3300252	5,907	3300307
050 UKE 600 SDM	50	600	4,007	3300219	5,009	3300253	6,679	3300308
060 UKE 050 SDM	60	50	1,603	3005831	2,004	3359093	2,672	3359094
060 UKE 100 SDM	60	100	1,893	3008185	2,366	3300254	3,155	3300309
060 UKE 150 SDM	60	150	2,125	3008176	2,656	3300255	3,541	3300310
060 UKE 200 SDM	60	200	2,356	3008446	2,945	3300256	3,927	3300311
060 UKE 250 SDM	60	250	2,588	3008445	3,235	3300257	4,313	3300312
060 UKE 300 SDM	60	300	2,819	3008444	3,524	3300258	4,699	3300313
060 UKE 400 SDM	60	400	3,283	3008443	4,103	3300259	5,471	3300314
060 UKE 500 SDM	60	500	3,745	3008442	4,682	3300260	6,242	3300315
060 UKE 600 SDM	60	600	4,208	3001765	5,261	3300261	7,014	3300316
075 UKE 100 SDM	75	100	1,975	3300220	2,470	3300262	3,293	3300317
075 UKE 150 SDM	75	150	2,130	3300221	2,663	3300263	3,551	3300318
075 UKE 200 SDM	75	200	2,285	3300222	2,857	3300264	3,809	3300319
075 UKE 250 SDM	75	250	2,439	3300223	3,050	3300265	4,066	3300320
075 UKE 300 SDM	75	300	2,594	3300224	3,243	3300266	4,324	3300321
075 UKE 400 SDM	75	400	2,903	3300225	3,629	3300267	4,839	3300322
075 UKE 500 SDM	75	500	3,213	3300226	4,016	3300268	5,355	3300323
075 UKE 600 SDM	75	600	3,522	3300227	4,403	3300269	5,870	3300324
100 UKE 100 SDM	100	100	2,262	3300228	2,828	3300270	3,770	3300325
100 UKE 150 SDM	100	150	2,416	3300229	3,021	3300271	4,028	3300326
100 UKE 200 SDM	100	200	2,571	3300230	3,214	3300272	4,285	3300327
100 UKE 250 SDM	100	250	2,725	3300231	3,407	3300273	4,543	3300328
100 UKE 300 SDM	100	300	2,880	3300232	3,601	3300274	4,801	3300329
100 UKE 400 SDM	100	400	3,189	3300233	3,987	3300275	5,316	3300330
100 UKE 500 SDM	100	500	3,498	3300234	4,373	3300276	5,831	3300331
100 UKE 600 SDM	100	600	3,808	3300235	4,760	3300277	6,347	3300332



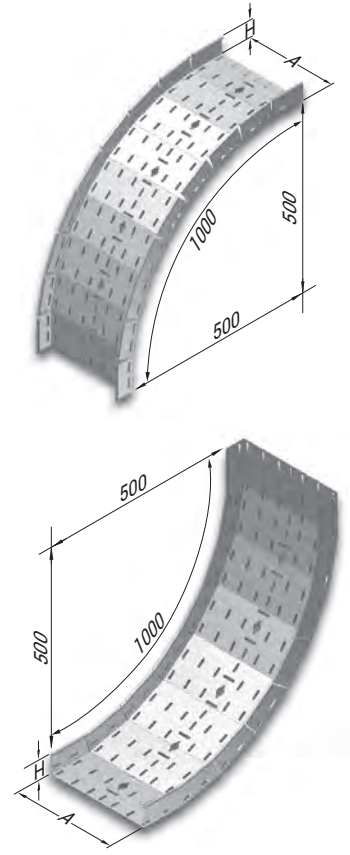
Includes:
 1 Unit of Level Adaptation Bend,
 16 Units of M6x12 Bolts,
 16 Units of M6 Bolt Nuts and
 4 Units of SDE.

- To be applied to a maximum angle of 120°.
- Please contact your representative for inquiries regarding stainless steel alternatives.
- Please indicate order code in your orders.
- Please contact us for special dimensions.
- Material weights may vary by ± 10%

■ All dimensions are given as in mm

■ PG= Pre-Galvanized
 ■ HDG= Hot Dip Galvanized

Description	H (mm)	A (mm)	T=1		T=1,2		T=1,5		T=2	
			Weight (kg/pcs)	PG Code	Weight (kg/pcs)	PG Code	Weight (kg/pcs)	PG Code	Weight (kg/pcs)	PG Code
040 UKE 050 ADJ. CONCAVE	40	50	0,945	3004339	1,116	3300366	1,431	3300379	1,959	3300482
040 UKE 100 ADJ. CONCAVE	40	100	1,306	3004341	1,609	3300367	1,940	3300380	2,616	3300483
040 UKE 150 ADJ. CONCAVE	40	150	1,628	3004343	1,995	3300368	2,422	3300381	3,259	3300484
040 UKE 200 ADJ. CONCAVE	40	200	1,949	3300346	2,381	3004345	2,905	3300382	3,902	3300485
040 UKE 250 ADJ. CONCAVE	40	250	2,271	3300347	2,767	3004347	3,387	3300383	4,546	3300486
040 UKE 300 ADJ. CONCAVE	40	300	2,593	3300348	3,153	3300369	3,870	3004349	5,189	3300487
040 UKE 400 ADJ. CONCAVE	40	400	-	-	-	-	4,835	3004351	6,470	3300488
040 UKE 500 ADJ. CONCAVE	40	500	-	-	-	-	5,799	3004353	7,714	3300489
040 UKE 600 ADJ. CONCAVE	40	600	-	-	-	-	6,764	3004355	9,000	3300490
050 UKE 050 ADJ. CONCAVE	50	50	1,083	3300349	1,315	3300370	1,643	3300384	2,199	3300491
050 UKE 100 ADJ. CONCAVE	50	100	1,443	3300350	1,774	3300371	2,146	3300385	2,842	3300492
050 UKE 150 ADJ. CONCAVE	50	150	1,765	3300351	2,160	3300372	2,628	3300386	3,485	3300493
050 UKE 200 ADJ. CONCAVE	50	200	2,087	3300352	2,498	3300373	3,111	3300387	4,129	3300494
050 UKE 250 ADJ. CONCAVE	50	250	2,408	3300353	2,884	3300374	3,593	3300388	4,772	3300495
050 UKE 300 ADJ. CONCAVE	50	300	2,730	3300354	3,270	3300375	4,076	3300389	5,415	3300496
050 UKE 400 ADJ. CONCAVE	50	400	-	-	-	-	5,040	3300390	6,702	3300497
050 UKE 500 ADJ. CONCAVE	50	500	-	-	-	-	6,005	3300391	7,988	3300498
050 UKE 600 ADJ. CONCAVE	50	600	-	-	-	-	6,970	3300392	9,275	3300499
060 UKE 050 ADJ. CONCAVE	60	50	1,220	3359089	1,457	3359090	1,810	3359091	2,387	3359092
060 UKE 100 ADJ. CONCAVE	60	100	1,578	3004359	1,887	3300376	2,347	3300393	3,111	3300500
060 UKE 150 ADJ. CONCAVE	60	150	1,900	3004361	2,273	3300377	2,830	3300394	3,754	3300501
060 UKE 200 ADJ. CONCAVE	60	200	2,221	3300355	2,659	3004363	3,312	3300395	4,397	3300502
060 UKE 250 ADJ. CONCAVE	60	250	2,543	3300356	3,045	3004365	3,795	3300396	5,040	3300503
060 UKE 300 ADJ. CONCAVE	60	300	2,864	3300357	3,431	3300378	4,277	3004367	5,684	3300504
060 UKE 400 ADJ. CONCAVE	60	400	-	-	-	-	5,242	3004369	6,970	3300505
060 UKE 500 ADJ. CONCAVE	60	500	-	-	-	-	6,207	3004371	8,257	3300506
060 UKE 600 ADJ. CONCAVE	60	600	-	-	-	-	7,172	3004373	9,543	3300507
075 UKE 100 ADJ. CONCAVE	75	100	-	-	-	-	2,607	3300397	3,456	3300508
075 UKE 150 ADJ. CONCAVE	75	150	-	-	-	-	3,089	3300398	4,099	3300509
075 UKE 200 ADJ. CONCAVE	75	200	-	-	-	-	3,572	3300399	4,742	3300510
075 UKE 250 ADJ. CONCAVE	75	250	-	-	-	-	4,054	3300400	5,386	3300511
075 UKE 300 ADJ. CONCAVE	75	300	-	-	-	-	4,536	3300401	6,029	3300512
075 UKE 400 ADJ. CONCAVE	75	400	-	-	-	-	5,501	3300402	7,315	3300513
075 UKE 500 ADJ. CONCAVE	75	500	-	-	-	-	6,466	3300403	8,602	3300514
075 UKE 600 ADJ. CONCAVE	75	600	-	-	-	-	7,431	3300404	9,888	3300515
100 UKE 100 ADJ. CONCAVE	100	100	-	-	-	-	3,040	3300405	4,034	3300516
100 UKE 150 ADJ. CONCAVE	100	150	-	-	-	-	3,523	3300406	4,677	3300517
100 UKE 200 ADJ. CONCAVE	100	200	-	-	-	-	4,005	3300407	5,320	3300518
100 UKE 250 ADJ. CONCAVE	100	250	-	-	-	-	4,488	3300408	5,963	3300519
100 UKE 300 ADJ. CONCAVE	100	300	-	-	-	-	4,970	3300409	6,607	3300520
100 UKE 400 ADJ. CONCAVE	100	400	-	-	-	-	5,935	3300410	7,893	3300521
100 UKE 500 ADJ. CONCAVE	100	500	-	-	-	-	6,900	3300411	9,180	3300522
100 UKE 600 ADJ. CONCAVE	100	600	-	-	-	-	7,865	3300412	10,466	3300523



■ Please contact your representative for inquiries regarding stainless steel alternatives.

■ Please indicate order code in your orders.

■ Please contact us for special dimensions.

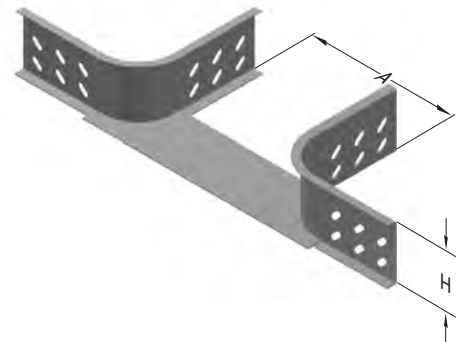
■ Material weights may vary by ± 10%

■ All dimensions are given as in mm

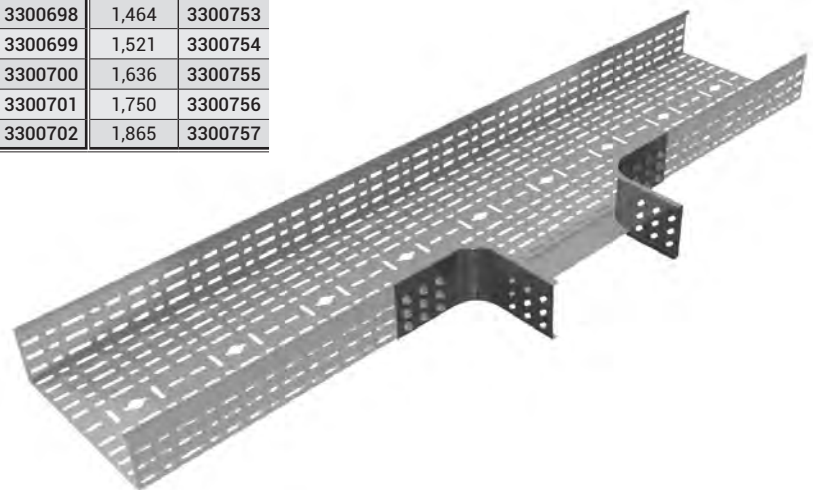
■ PG= Pre-Galvanized

■ HDG= Hot Dip Galvanized

Description	H (mm)	A (mm)	T= 1,2		T= 1,5		T= 2	
			Weight (kg/pcs)	PG Code	Weight (kg/pcs)	PG Code	Weight (kg/pcs)	PG Code
040 UKE 050 ADD-ON TEE	40	50	0,427	3086575	0,526	3300661	0,701	3300716
040 UKE 100 ADD-ON TEE	40	100	0,462	3086576	0,569	3300662	0,758	3300717
040 UKE 150 ADD-ON TEE	40	150	0,496	3086577	0,611	3300663	0,815	3300718
040 UKE 200 ADD-ON TEE	40	200	0,531	3086578	0,655	3300664	0,873	3300719
040 UKE 250 ADD-ON TEE	40	250	0,565	3086579	0,698	3300665	0,930	3300720
040 UKE 300 ADD-ON TEE	40	300	0,599	3086580	0,740	3300666	0,987	3300721
040 UKE 400 ADD-ON TEE	40	400	0,668	3086581	0,827	3300667	1,102	3300722
040 UKE 500 ADD-ON TEE	40	500	0,736	3086582	0,912	3300668	1,216	3300723
040 UKE 600 ADD-ON TEE	40	600	0,805	3086583	0,998	3300669	1,331	3300724
050 UKE 050 ADD-ON TEE	50	50	0,485	3300636	0,598	3300670	0,797	3300725
050 UKE 100 ADD-ON TEE	50	100	0,52	3300637	0,641	3300671	0,854	3300726
050 UKE 150 ADD-ON TEE	50	150	0,554	3300638	0,683	3300672	0,911	3300727
050 UKE 200 ADD-ON TEE	50	200	0,589	3300639	0,727	3300673	0,969	3300728
050 UKE 250 ADD-ON TEE	50	250	0,623	3300640	0,770	3300674	1,026	3300729
050 UKE 300 ADD-ON TEE	50	300	0,657	3300641	0,812	3300675	1,083	3300730
050 UKE 400 ADD-ON TEE	50	400	0,726	3300642	0,899	3300676	1,198	3300731
050 UKE 500 ADD-ON TEE	50	500	0,794	3300643	0,984	3300677	1,312	3300732
050 UKE 600 ADD-ON TEE	50	600	0,863	3300644	1,070	3300678	1,427	3300733
060 UKE 050 ADD-ON TEE	60	50	0,524	3359059	0,655	3359060	0,873	3359061
060 UKE 100 ADD-ON TEE	60	100	0,612	3086585	0,713	3300679	0,950	3300734
060 UKE 150 ADD-ON TEE	60	150	0,647	3086586	0,755	3300680	1,007	3300735
060 UKE 200 ADD-ON TEE	60	200	0,681	3086587	0,799	3300681	1,065	3300736
060 UKE 250 ADD-ON TEE	60	250	0,715	3086588	0,842	3300682	1,122	3300737
060 UKE 300 ADD-ON TEE	60	300	0,784	3086589	0,884	3300683	1,179	3300738
060 UKE 400 ADD-ON TEE	60	400	0,852	3086590	0,971	3300684	1,294	3300739
060 UKE 500 ADD-ON TEE	60	500	0,921	3086591	1,056	3300685	1,408	3300740
060 UKE 600 ADD-ON TEE	60	600	0,977	3086592	1,142	3300686	1,523	3300741
075 UKE 100 ADD-ON TEE	75	100	0,652	3300645	0,806	3300687	1,074	3300742
075 UKE 150 ADD-ON TEE	75	150	0,686	3300646	0,848	3300688	1,131	3300743
075 UKE 200 ADD-ON TEE	75	200	0,721	3300647	0,892	3300689	1,189	3300744
075 UKE 250 ADD-ON TEE	75	250	0,755	3300648	0,935	3300690	1,246	3300745
075 UKE 300 ADD-ON TEE	75	300	0,789	3300649	0,977	3300691	1,303	3300746
075 UKE 400 ADD-ON TEE	75	400	0,858	3300650	1,064	3300692	1,418	3300747
075 UKE 500 ADD-ON TEE	75	500	0,926	3300651	1,149	3300693	1,532	3300748
075 UKE 600 ADD-ON TEE	75	600	0,995	3300652	1,235	3300694	1,647	3300749
100 UKE 100 ADD-ON TEE	100	100	0,784	3300653	0,969	3300695	1,292	3300750
100 UKE 150 ADD-ON TEE	100	150	0,818	3300654	1,012	3300696	1,349	3300751
100 UKE 200 ADD-ON TEE	100	200	0,853	3300655	1,055	3300697	1,407	3300752
100 UKE 250 ADD-ON TEE	100	250	0,887	3300656	1,098	3300698	1,464	3300753
100 UKE 300 ADD-ON TEE	100	300	0,921	3300657	1,141	3300699	1,521	3300754
100 UKE 400 ADD-ON TEE	100	400	0,990	3300658	1,227	3300700	1,636	3300755
100 UKE 500 ADD-ON TEE	100	500	1,058	3300659	1,313	3300701	1,750	3300756
100 UKE 600 ADD-ON TEE	100	600	1,127	3300660	1,399	3300702	1,865	3300757



UK

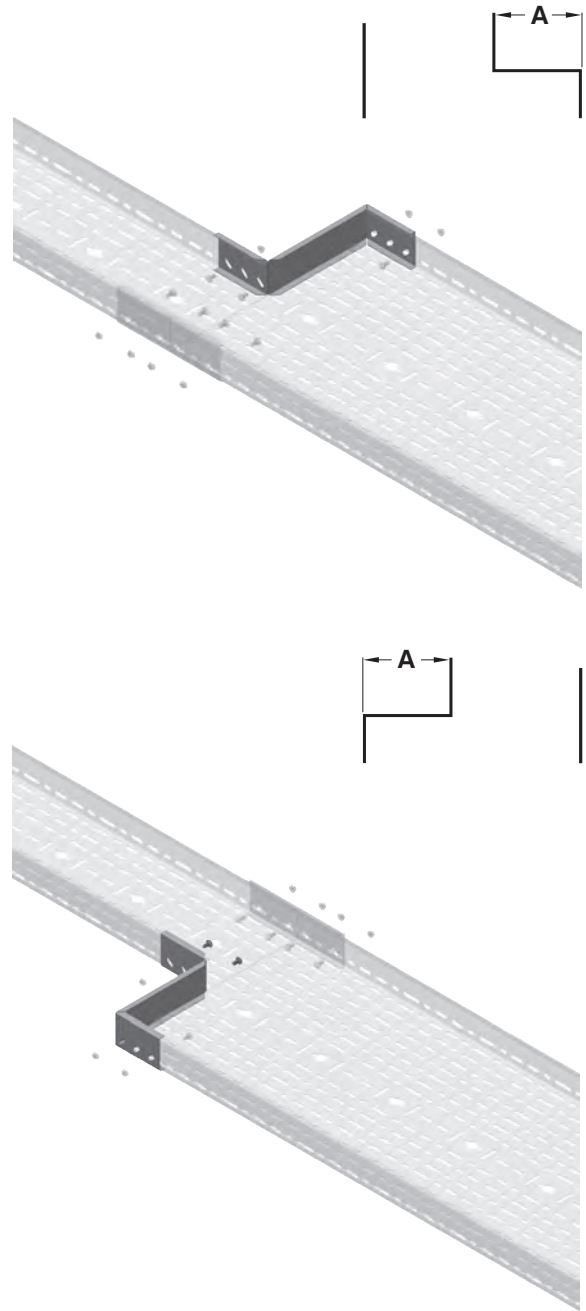


- Please contact your representative for inquiries regarding stainless steel alternatives.
- Please indicate order code in your orders.
- Please contact us for special dimensions.
- Material weights may vary by ± 10%

■ All dimensions are given as in mm

- PG= Pre-Galvanized
- HDG= Hot Dip Galvanized

Description	H (mm)	A (mm)	T=1,2		T=2	
			Weight (kg/pcs)	PG Code	Weight (kg/pcs)	PG Code
040 UKE 025-RD1 REDUCTION	40	25	0,134	3002329	0,213	3300543
040 UKE 050-RD1 REDUCTION	40	50	0,148	3002330	0,240	3300544
040 UKE 100-RD1 REDUCTION	40	100	0,176	3002331	0,290	3300545
040 UKE 150-RD1 REDUCTION	40	150	0,205	3002332	0,340	3300546
040 UKE 200-RD1 REDUCTION	40	200	0,233	3002333	0,390	3300547
040 UKE 250-RD1 REDUCTION	40	250	0,262	3002334	0,440	3300548
040 UKE 300-RD1 REDUCTION	40	300	0,290	3002335	0,490	3300549
050 UKE 025-RD1 REDUCTION	50	25	0,150	3300524	0,250	3300550
050 UKE 050-RD1 REDUCTION	50	50	0,168	3300525	0,280	3300551
050 UKE 100-RD1 REDUCTION	50	100	0,203	3300526	0,338	3300552
050 UKE 150-RD1 REDUCTION	50	150	0,237	3300527	0,395	3300553
050 UKE 200-RD1 REDUCTION	50	200	0,272	3300528	0,453	3300554
050 UKE 250-RD1 REDUCTION	50	250	0,307	3300529	0,512	3300555
050 UKE 300-RD1 REDUCTION	50	300	0,342	3300530	0,570	3300556
060 UKE 025-RD1 REDUCTION	60	25	0,178	3002336	0,287	3300557
060 UKE 050-RD1 REDUCTION	60	50	0,197	3002337	0,320	3300558
060 UKE 100-RD1 REDUCTION	60	100	0,235	3002338	0,385	3300559
060 UKE 150-RD1 REDUCTION	60	150	0,273	3002339	0,452	3300560
060 UKE 200-RD1 REDUCTION	60	200	0,311	3002340	0,517	3300561
060 UKE 250-RD1 REDUCTION	60	250	0,349	3002341	0,583	3300562
060 UKE 300-RD1 REDUCTION	60	300	0,387	3002342	0,650	3300563
075 UKE 050-RD1 REDUCTION	75	75	0,220	3300531	0,367	3300564
075 UKE 100-RD1 REDUCTION	75	100	0,266	3300532	0,443	3300565
075 UKE 150-RD1 REDUCTION	75	150	0,313	3300533	0,522	3300566
075 UKE 200-RD1 REDUCTION	75	200	0,359	3300534	0,598	3300567
075 UKE 250-RD1 REDUCTION	75	250	0,405	3300535	0,675	3300568
075 UKE 300-RD1 REDUCTION	75	300	0,451	3300536	0,752	3300569
100 UKE 050-RD1 REDUCTION	100	50	0,275	3300537	0,458	3253039
100 UKE 100-RD1 REDUCTION	100	100	0,333	3300538	0,555	3253040
100 UKE 150-RD1 REDUCTION	100	150	0,391	3300539	0,652	3253043
100 UKE 200-RD1 REDUCTION	100	200	0,449	3300540	0,748	3253045
100 UKE 250-RD1 REDUCTION	100	250	0,507	3300541	0,845	3253048
100 UKE 300-RD1 REDUCTION	100	300	0,565	3300542	0,942	3253049



■ Please contact your representative for inquiries regarding stainless steel alternatives.

■ Please indicate order code in your orders.

■ Please contact us for special dimensions.

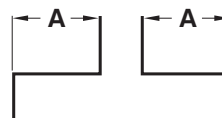
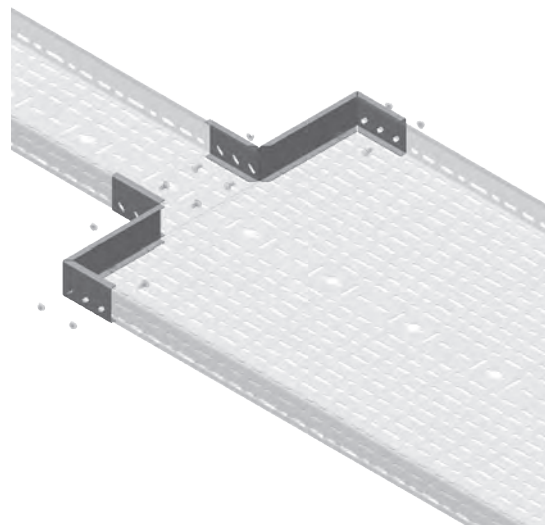
■ Material weights may vary by ± 10%

■ All dimensions are given as in mm

■ PG= Pre-Galvanized

■ HDG= Hot Dip Galvanized

Description	H (mm)	A (mm)	T=1,2		T=2	
			Weight (kg/pcs)	PG Code	Weight (kg/pcs)	PG Code
040 UKE 025-RD1 MIDDLE REDUCTION	40	25	0,267	3008462	0,427	3300603
040 UKE 050-RD1 MIDDLE REDUCTION	40	50	0,296	3008461	0,480	3300604
040 UKE 100-RD1 MIDDLE REDUCTION	40	100	0,353	3008460	0,580	3300605
040 UKE 150-RD1 MIDDLE REDUCTION	40	150	0,410	3008118	0,680	3300606
040 UKE 200-RD1 MIDDLE REDUCTION	40	200	0,466	3008119	0,780	3300607
040 UKE 250-RD1 MIDDLE REDUCTION	40	250	0,523	3008111	0,880	3300608
040 UKE 300-RD1 MIDDLE REDUCTION	40	300	0,580	3008105	0,980	3300609
050 UKE 025-RD1 MIDDLE REDUCTION	50	25	0,300	3300577	0,500	3300610
050 UKE 050-RD1 MIDDLE REDUCTION	50	50	0,336	3300578	0,560	3300611
050 UKE 100-RD1 MIDDLE REDUCTION	50	100	0,406	3300579	0,677	3300612
050 UKE 150-RD1 MIDDLE REDUCTION	50	150	0,474	3300580	0,790	3300613
050 UKE 200-RD1 MIDDLE REDUCTION	50	200	0,544	3300581	0,907	3300614
050 UKE 250-RD1 MIDDLE REDUCTION	50	250	0,614	3300582	1,023	3300615
050 UKE 300-RD1 MIDDLE REDUCTION	50	300	0,684	3300583	1,140	3300616
060 UKE 025-RD1 MIDDLE REDUCTION	60	25	0,356	3008459	0,573	3300617
060 UKE 050-RD1 MIDDLE REDUCTION	60	50	0,394	3008458	0,640	3300618
060 UKE 100-RD1 MIDDLE REDUCTION	60	100	0,470	3008457	0,770	3300619
060 UKE 150-RD1 MIDDLE REDUCTION	60	150	0,546	3008110	0,903	3300620
060 UKE 200-RD1 MIDDLE REDUCTION	60	200	0,622	3008103	1,033	3300621
060 UKE 250-RD1 MIDDLE REDUCTION	60	250	0,698	3008104	1,167	3300622
060 UKE 300-RD1 MIDDLE REDUCTION	60	300	0,774	3008106	1,300	3300623
075 UKE 075-RD1 MIDDLE REDUCTION	75	75	0,440	3300591	0,733	3300624
075 UKE 100-RD1 MIDDLE REDUCTION	75	100	0,532	3300592	0,887	3300625
075 UKE 150-RD1 MIDDLE REDUCTION	75	150	0,626	3300593	1,043	3300626
075 UKE 200-RD1 MIDDLE REDUCTION	75	200	0,718	3300594	1,197	3300627
075 UKE 250-RD1 MIDDLE REDUCTION	75	250	0,810	3300595	1,350	3300628
075 UKE 300-RD1 MIDDLE REDUCTION	75	300	0,902	3300596	1,503	3300629
100 UKE 050-RD1 MIDDLE REDUCTION	100	50	0,550	3300597	0,917	3300630
100 UKE 100-RD1 MIDDLE REDUCTION	100	100	0,666	3300598	1,110	3300631
100 UKE 150-RD1 MIDDLE REDUCTION	100	150	0,782	3300599	1,303	3300632
100 UKE 200-RD1 MIDDLE REDUCTION	100	200	0,898	3300600	1,497	3300633
100 UKE 250-RD1 MIDDLE REDUCTION	100	250	1,014	3300601	1,690	3300634
100 UKE 300-RD1 MIDDLE REDUCTION	100	300	1,130	3300602	1,883	3300635



■ Please contact your representative for inquiries regarding stainless steel alternatives.

■ Please indicate order code in your orders.

■ Please contact us for special dimensions.

■ Material weights may vary by ± 10%

■ All dimensions are given as in mm

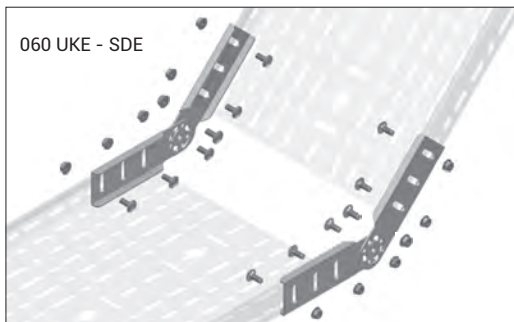
■ PG= Pre-Galvanized

■ HDG= Hot Dip Galvanized

►► UKE LEVEL ADAPTATION JOINT SET

Pre-Galvanized (TS EN 10346 - TS EN 10143)

Description	H (mm)	Pack (pcs)	T=1,2		T=1,5		T=2	
			Weight (kg/pcs)	PG Code	Weight (kg/pcs)	PG Code	Weight (kg/pcs)	PG Code
040 SDE PRG	40	10	0,316	3008375	0,384	3300935	0,500	3300940
050 SDE PRG	50	10	0,364	3300932	0,444	3300936	0,580	3300941
060 SDE PRG (1,2)	60	10	0,392	3008374	0,480	3300937	0,628	3300942
075 SDE PRG (1,2)	75	10	0,500	3300933	0,620	3300938	0,812	3300943
100 SDE PRG (1,2)	100	10	0,596	3241742	0,736	3300939	0,968	3300944



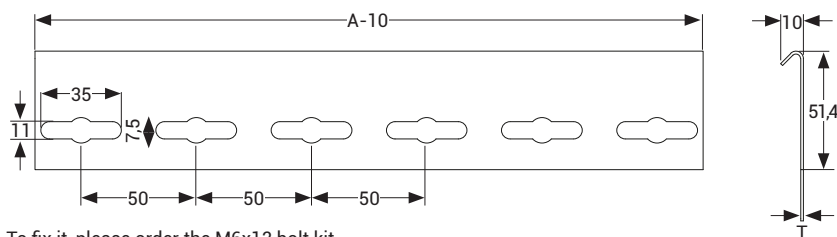
Level Adaptation Joint Set

Includes: 4 Units of Level Adaptation Joint,
4 Units of M6x12 Bolts, 4 Units of M6 Bolt Nuts.

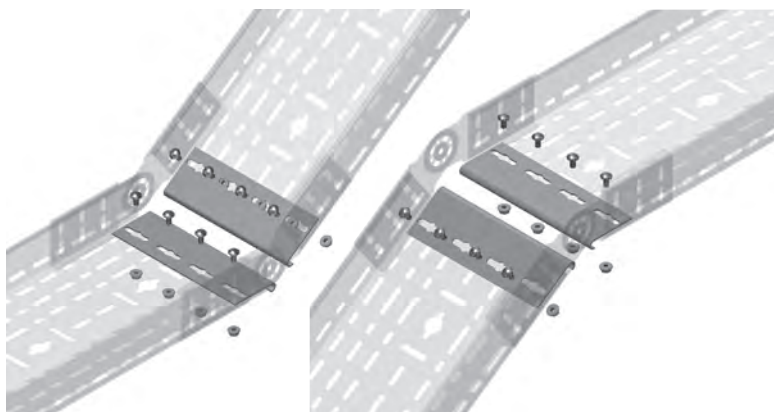
►► UK SDE Bend Protection Plate

Pre-Galvanized (TS EN 10346 - TS EN 10143)

Description	A (mm)	T=1	
		Weight (kg/pcs)	PG Code
UK SDE ELBOW PROTECTION PLATE 100	100	0,054	3135707
UK SDE ELBOW PROTECTION PLATE 150	150	0,083	3135708
UK SDE ELBOW PROTECTION PLATE 200	200	0,114	3135709
UK SDE ELBOW PROTECTION PLATE 250	250	0,142	3135710
UK SDE ELBOW PROTECTION PLATE 300	300	0,173	3135711
UK SDE ELBOW PROTECTION PLATE 400	400	0,233	3135712 </td
UK SDE ELBOW PROTECTION PLATE 500	500	0,292	3135713
UK SDE ELBOW PROTECTION PLATE 600	600	0,352	3135714



To fix it, please order the M6x12 bolt kit.



■ Please contact your representative for inquiries regarding stainless steel alternatives.

■ Please indicate order code in your orders.

■ Please contact us for special dimensions.

■ Material weights may vary by $\pm 10\%$

■ All dimensions are given as in mm

■ PG= Pre-Galvanized

■ HDG= Hot Dip Galvanized

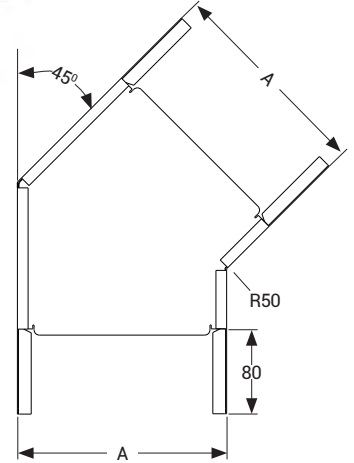
►► BENDS

► UKFG YD 45° Horizontal Degree Bend

Pre-Galvanized (TS EN 10346 - TS EN 10143)

Description	H (mm)	A (mm)	T (mm)	Weight (kg/pcs)	PG Code
040 UKFG 100 YD45°	40	100	1,2	0,366	3102947
040 UKFG 200 YD45°	40	200	1,2	0,627	3102948
040 UKFG 300 YD45°	40	300	1,2	0,961	3102949
050 UKFG 100 YD45°	50	100	1,2	0,404	3102950
050 UKFG 200 YD45°	50	200	1,2	0,671	3102951
050 UKFG 300 YD45°	50	300	1,2	1,011	3102952
050 UKFG 400 YD45°	50	400	1,2	1,427	3102953
050 UKFG 500 YD45°	50	500	1,2	1,915	3102954
050 UKFG 600 YD45°	50	600	1,2	2,478	3102955
060 UKFG 100 YD45°	60	100	1,2	0,440	3102956
060 UKFG 200 YD45°	60	200	1,2	0,714	3102957
060 UKFG 300 YD45°	60	300	1,2	1,060	3102958
060 UKFG 400 YD45°	60	400	1,2	1,482	3102959
060 UKFG 500 YD45°	60	500	1,2	1,976	3102960
060 UKFG 600 YD45°	60	600	1,2	2,545	3102961

Description	A (mm)	T (mm)	Weight (kg/pcs)	PG Code
UKFG 100 YD COVER 45°	100	1,2	0,165	3103028
UKFG 200 YD COVER 45°	200	1,2	0,385	3103029
UKFG 300 YD COVER 45°	300	1,2	0,679	3103030
UKFG 400 YD COVER 45°	400	1,2	1,046	3103031
UKFG 500 YD COVER 45°	500	1,2	1,488	3103032
UKFG 600 YD COVER 45°	600	1,2	2,004	3103033

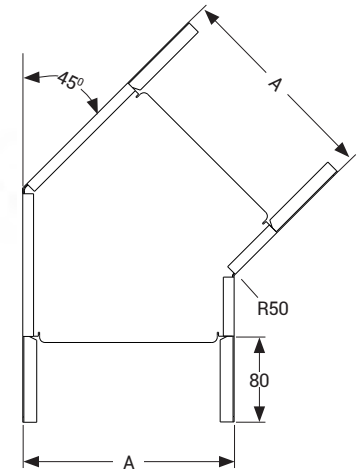


► UKFG YD 45° Horizontal Degree Bend With Snap-on Cover

Pre-Galvanized (TS EN 10346 - TS EN 10143)

Description	H (mm)	A (mm)	T (mm)	Weight (kg/pcs)	PG Code
075 UKFG 100 YD45°	75	100	1	0,483	3293305
075 UKFG 200 YD45°	75	200	1	0,728	3293307
075 UKFG 300 YD45°	75	300	1	1,037	3293309
075 UKFG 400 YD45°	75	400	1	1,412	3293310
075 UKFG 500 YD45°	75	500	1	1,852	3293311
075 UKFG 600 YD45°	75	600	1	2,357	3293312
100 UKFG 100 YD45°	100	100	1	0,602	3300049
100 UKFG 200 YD45°	100	200	1	0,862	3300051
100 UKFG 300 YD45°	100	300	1	1,187	3300053
100 UKFG 400 YD45°	100	400	1	1,577	3300054
100 UKFG 500 YD45°	100	500	1	2,032	3300055
100 UKFG 600 YD45°	100	600	1	2,552	3300056

Description	A (mm)	T (mm)	Weight (kg/pcs)	PG Code
UKFG 100 YD COVER 45°	100	1	0,167	3300065
UKFG 200 YD COVER 45°	200	1	0,366	3300067
UKFG 300 YD COVER 45°	300	1	0,630	3300069
UKFG 400 YD COVER 45°	400	1	0,959	3300070
UKFG 500 YD COVER 45°	500	1	1,354	3300071
UKFG 600 YD COVER 45°	600	1	1,813	3300072



Note: No need for cover clamp thanks to Snap-on cover.

- Please indicate order code in your orders.
- Please contact us for special dimensions.
- Material weights may vary by ± 10%

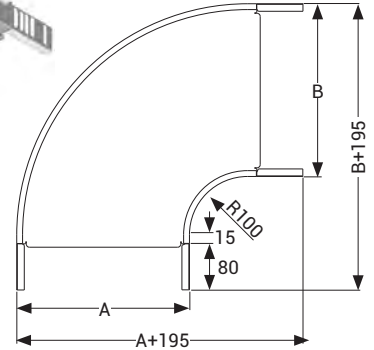
■ All dimensions are given as in mm

- PG= Pre-Galvanized
- HDG= Hot Dip Galvanized

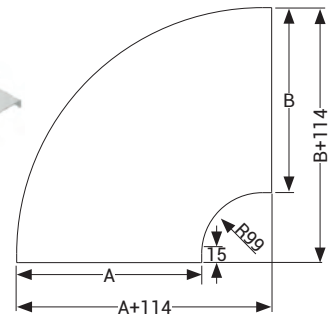
►► BENDS

► UKFG Horizontal Degree Bend (90°) Pre-Galvanized (TS EN 10346 - TS EN 10143)

Description	H (mm)	AB (mm)	T (mm)	Weight (kg/pcs)	PG Code
040 UKFG 100 YD90°	40	100	1,2	0,584	3102932
040 UKFG 200 YD90°	40	200	1,2	1,065	3102933
040 UKFG 300 YD90°	40	300	1,2	1,694	3102934
050 UKFG 100 YD90°	50	100	1,2	0,640	3102935
050 UKFG 200 YD90°	50	200	1,2	1,133	3102936
050 UKFG 300 YD90°	50	300	1,2	1,775	3102937
050 UKFG 400 YD90°	50	400	1,2	2,564	3102938
050 UKFG 500 YD90°	50	500	1,2	3,501	3102939
050 UKFG 600 YD90°	50	600	1,2	4,586	3102940
060 UKFG 100 YD90°	60	100	1,2	0,695	3102941
060 UKFG 200 YD90°	60	200	1,2	1,200	3102942
060 UKFG 300 YD90°	60	300	1,2	1,854	3102943
060 UKFG 400 YD90°	60	400	1,2	2,656	3102944
060 UKFG 500 YD90°	60	500	1,2	3,605	3102945
060 UKFG 600 YD90°	60	600	1,2	4,703	3102946

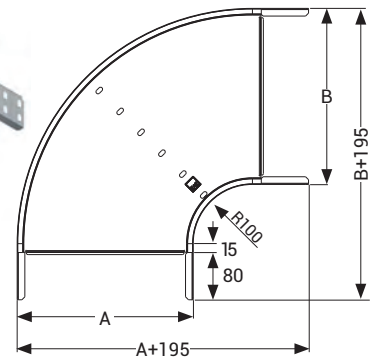
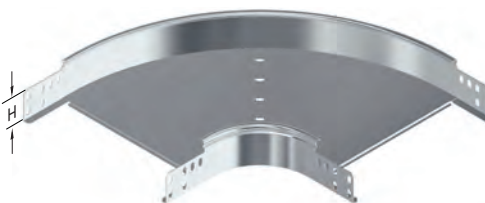


Description	AB (mm)	T (mm)	Weight (kg/pcs)	PG Code
UKFG 100 YD COVER (90°)	100	1,2	0,297	3103034
UKFG 200 YD COVER (90°)	200	1,2	0,703	3103035
UKFG 300 YD COVER (90°)	300	1,2	1,267	3103036
UKFG 400 YD COVER (90°)	400	1,2	1,974	3103037
UKFG 500 YD COVER (90°)	500	1,2	3,058	3103038
UKFG 600 YD COVER (90°)	600	1,2	4,336	3103039

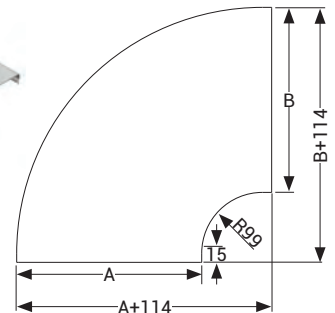


► UKFG Horizontal Degree Bend (90°) With Snap-on Cover Pre-Galvanized (TS EN 10346 - TS EN 10143)

Description	H (mm)	AB (mm)	T (mm)	Weight (kg/pcs)	PG Code
075 UKFG 100 YD90°	75	100	1	0,742	3254396
075 UKFG 200 YD90°	75	200	1	1,195	3254397
075 UKFG 300 YD90°	75	300	1	1,855	3254398
075 UKFG 400 YD90°	75	400	1	2,470	3254399
075 UKFG 500 YD90°	75	500	1	3,292	3254400
075 UKFG 600 YD90°	75	600	1	4,238	3254401
100 UKFG 100 YD90°	100	100	1	0,914	3254402
100 UKFG 200 YD90°	100	200	1	1,397	3254403
100 UKFG 300 YD90°	100	300	1	2,088	3254404
100 UKFG 400 YD90°	100	400	1	2,734	3254405
100 UKFG 500 YD90°	100	500	1	3,586	3254406
100 UKFG 600 YD90°	100	600	1	4,563	3254407



Description	AB (mm)	T (mm)	Weight (kg/pcs)	PG Code
UKFG 100 YD COVER (90°)	100	1	0,261	3254474
UKFG 200 YD COVER (90°)	200	1	0,608	3254475
UKFG 300 YD COVER (90°)	300	1	1,078	3254476
UKFG 400 YD COVER (90°)	400	1	1,671	3254477
UKFG 500 YD COVER (90°)	500	1	2,388	3254478
UKFG 600 YD COVER (90°)	600	1	3,228	3254479



Note: No need for cover clamp thanks to Snap-on cover.

- Please indicate order code in your orders.
- Please contact us for special dimensions.
- Material weights may vary by ± 10%

■ All dimensions are given as in mm

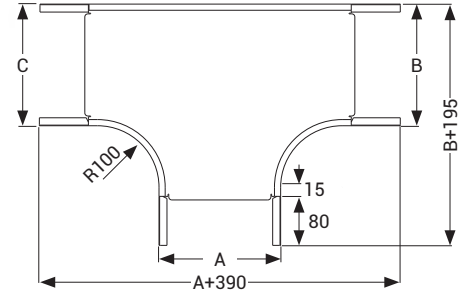
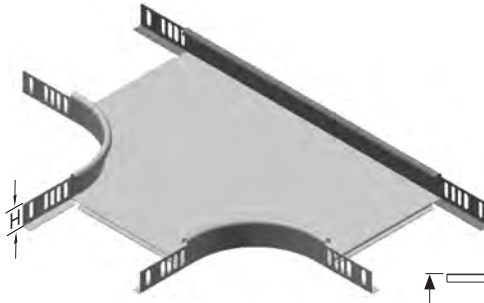
- PG= Pre-Galvanized
- HDG= Hot Dip Galvanized

►► BENDS

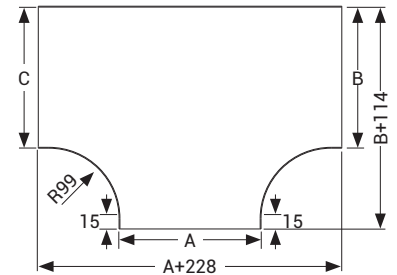
► UKFG YT Tee Bend

Pre-Galvanized (TS EN 10346 - TS EN 10143)

Description	H (mm)	ABC (mm)	T (mm)	Weight (kg/pcs)	PG Code
040 UKFG 100 YT	40	100	1,2	0,927	3102962
040 UKFG 200 YT	40	200	1,2	1,604	3102963
040 UKFG 300 YT	40	300	1,2	2,466	3102964
050 UKFG 100 YT	50	100	1,2	1,004	3102965
050 UKFG 200 YT	50	200	1,2	1,689	3102966
050 UKFG 300 YT	50	300	1,2	2,558	3102967
050 UKFG 400 YT	50	400	1,2	3,615	3102968
050 UKFG 500 YT	50	500	1,2	4,859	3102969
050 UKFG 600 YT	50	600	1,2	6,293	3102970
060 UKFG 100 YT	60	100	1,2	1,082	3102971
060 UKFG 200 YT	60	200	1,2	1,775	3102972
060 UKFG 300 YT	60	300	1,2	2,653	3102973
060 UKFG 400 YT	60	400	1,2	3,717	3102974
060 UKFG 500 YT	60	500	1,2	4,969	3102975
060 UKFG 600 YT	60	600	1,2	6,411	3102976



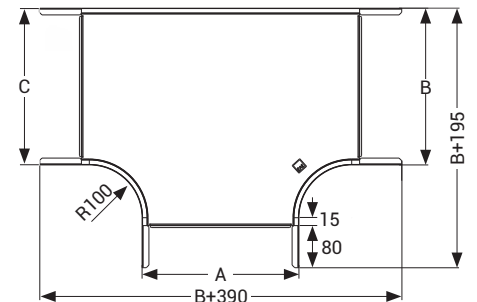
Description	ABC (mm)	T (mm)	Weight (kg/pcs)	PG Code
UKFG 100 YT COVER	100	1,2	0,523	3103040
UKFG 200 YT COVER	200	1,2	1,138	3103041
UKFG 300 YT COVER	300	1,2	1,942	3103042
UKFG 400 YT COVER	400	1,2	2,934	3103043
UKFG 500 YT COVER	500	1,2	4,115	3103044
UKFG 600 YT COVER	600	1,2	5,484	3103045



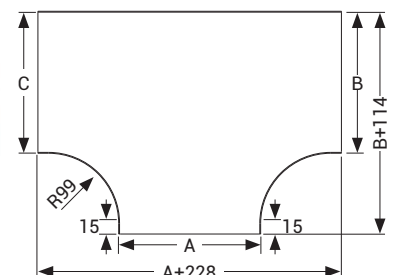
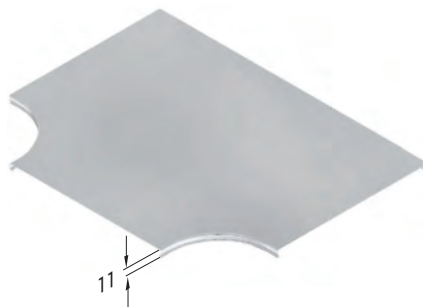
► UKFG YT Tee Bend With Snap-on Cover

Pre-Galvanized (TS EN 10346 - TS EN 10143)

Description	H (mm)	ABC (mm)	T (mm)	Weight (kg/pcs)	PG Code
075 UKFG 100 YT	75	100	1	1,126	3254408
075 UKFG 200 YT	75	200	1	1,717	3254409
075 UKFG 300 YT	75	300	1	2,464	3254410
075 UKFG 400 YT	75	400	1	3,368	3254411
075 UKFG 500 YT	75	500	1	4,430	3254412
075 UKFG 600 YT	75	600	1	5,648	3254413
100 UKFG 100 YT	100	100	1	1,357	3254414
100 UKFG 200 YT	100	200	1	1,968	3254415
100 UKFG 300 YT	100	300	1	2,735	3254416
100 UKFG 400 YT	100	400	1	3,658	3254417
100 UKFG 500 YT	100	500	1	4,740	3254418
100 UKFG 600 YT	100	600	1	5,978	3254419



Description	ABC (mm)	T (mm)	Weight (kg/pcs)	PG Code
UKFG 100 YT COVER	100	1	0,452	3254480
UKFG 200 YT COVER	200	1	0,967	3254481
UKFG 300 YT COVER	300	1	1,639	3254482
UKFG 400 YT COVER	400	1	2,467	3254483
UKFG 500 YT COVER	500	1	3,453	3254484
UKFG 600 YT COVER	600	1	4,596	3254485



Note: No need for cover clamp thanks to Snap-on cover.

- Please indicate order code in your orders.
- Please contact us for special dimensions.
- Material weights may vary by ± 10%

■ All dimensions are given as in mm

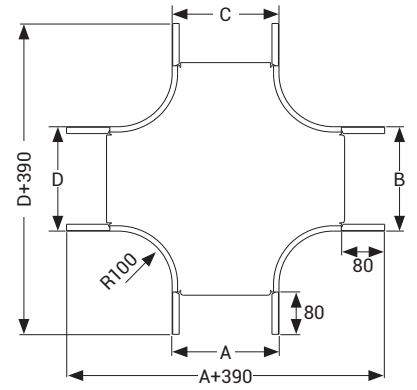
- PG= Pre-Galvanized
- HDG= Hot Dip Galvanized

►► BENDS

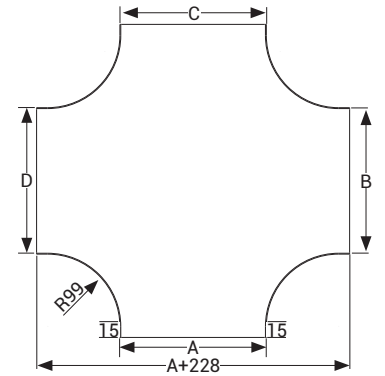
► UKFG AD Cross Over Bend

Pre-Galvanized (TS EN 10346 - TS EN 10143)

Description	H (mm)	ABCD (mm)	T (mm)	Weight (kg/pcs)	PG Code
040 UKFG 100 AD	40	100	1,2	1,047	3102977
040 UKFG 200 AD	40	200	1,2	1,662	3102978
040 UKFG 300 AD	40	300	1,2	2,435	3102979
050 UKFG 100 AD	50	100	1,2	1,135	3102980
050 UKFG 200 AD	50	200	1,2	1,750	3102981
050 UKFG 300 AD	50	300	1,2	2,523	3102982
050 UKFG 400 AD	50	400	1,2	3,454	3102983
050 UKFG 500 AD	50	500	1,2	4,540	3102984
050 UKFG 600 AD	50	600	1,2	5,784	3102985
060 UKFG 100 AD	60	100	1,2	1,219	3102986
060 UKFG 200 AD	60	200	1,2	1,834	3102987
060 UKFG 300 AD	60	300	1,2	2,607	3102988
060 UKFG 400 AD	60	400	1,2	3,538	3102989
060 UKFG 500 AD	60	500	1,2	4,624	3102990
060 UKFG 600 AD	60	600	1,2	5,868	3102991



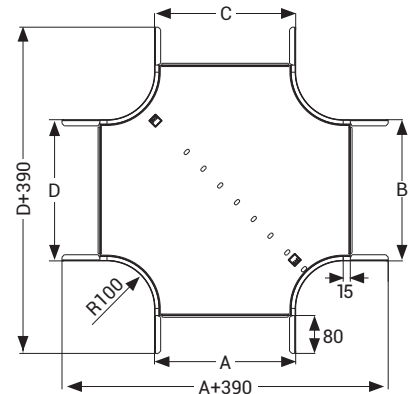
Description	ABCD (mm)	T (mm)	Weight (kg/pcs)	PG Code
UKFG 100 AD COVER	100	1,2	0,672	3103046
UKFG 200 AD COVER	200	1,2	1,385	3103047
UKFG 300 AD COVER	300	1,2	2,285	3103048
UKFG 400 AD COVER	400	1,2	3,375	3103049
UKFG 500 AD COVER	500	1,2	4,652	3103050
UKFG 600 AD COVER	600	1,2	6,118	3103051



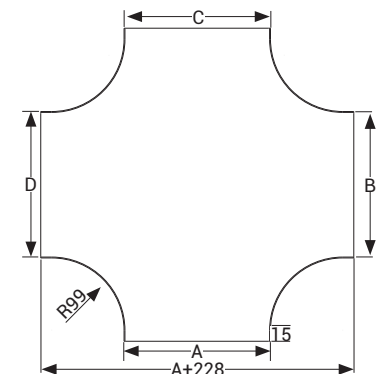
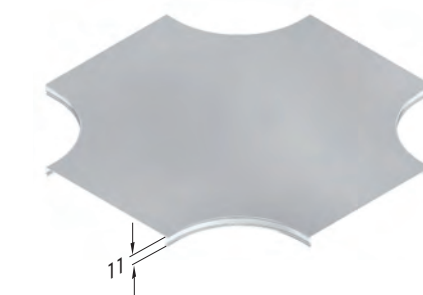
► UKFG AD Cross Over Bend With Snap-on Cover

Pre-Galvanized (TS EN 10346 - TS EN 10143)

Description	H (mm)	ABCD (mm)	T (mm)	Weight (kg/pcs)	PG Code
075 UKFG 100 AD	75	100	1	1,457	3254420
075 UKFG 200 AD	75	200	1	1,983	3254421
075 UKFG 300 AD	75	300	1	2,751	3254422
075 UKFG 400 AD	75	400	1	3,675	3254423
075 UKFG 500 AD	75	500	1	4,755	3254424
075 UKFG 600 AD	75	600	1	5,992	3254425
100 UKFG 100 AD	100	100	1	1,733	3254426
100 UKFG 200 AD	100	200	1	2,259	3254427
100 UKFG 300 AD	100	300	1	3,027	3254428
100 UKFG 400 AD	100	400	1	3,951	3254429
100 UKFG 500 AD	100	500	1	5,031	3254430
100 UKFG 600 AD	100	600	1	6,268	3254431



Description	ABCD (mm)	T (mm)	Weight (kg/pcs)	PG Code
UKFG 100 AD COVER	100	1	0,581	3254486
UKFG 200 AD COVER	200	1	1,175	3254487
UKFG 300 AD COVER	300	1	1,927	3254488
UKFG 400 AD COVER	400	1	2,835	3254489
UKFG 500 AD COVER	500	1	3,900	3254490
UKFG 600 AD COVER	600	1	5,122	3254491



Note: No need for cover clamp due to Snap-on cover.

- Please indicate order code in your orders.
- Please contact us for special dimensions.
- Material weights may vary by ± 10%

■ All dimensions are given as in mm

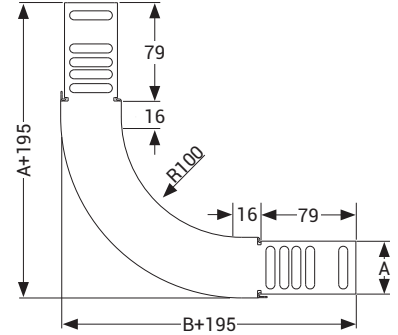
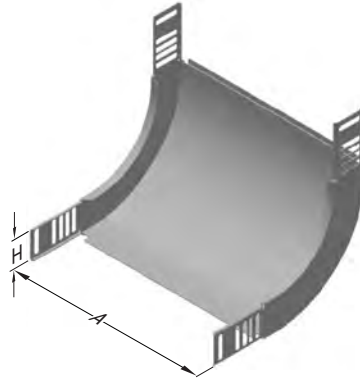
- PG= Pre-Galvanized
- HDG= Hot Dip Galvanized

►► BENDS

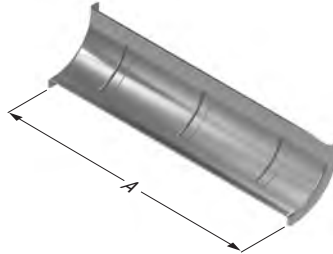
► UKFG ID Vertical Inside Bend (90°)

Pre-Galvanized (TS EN 10346 - TS EN 10143)

Description	H (mm)	A (mm)	T (mm)	Weight (kg/pcs)	PG Code
040 UKFG 100 ID	40	100	1,2	0,464	3102992
040 UKFG 200 ID	40	200	1,2	0,669	3102993
040 UKFG 300 ID	40	300	1,2	0,874	3102994
050 UKFG 100 ID	50	100	1,2	0,533	3102995
050 UKFG 200 ID	50	200	1,2	0,751	3102996
050 UKFG 300 ID	50	300	1,2	0,968	3102997
050 UKFG 400 ID	50	400	1,2	1,186	3102998
050 UKFG 500 ID	50	500	1,2	1,403	3102999
050 UKFG 600 ID	50	600	1,2	1,620	3103000
060 UKFG 100 ID	60	100	1,2	0,605	3103001
060 UKFG 200 ID	60	200	1,2	0,835	3103002
060 UKFG 300 ID	60	300	1,2	1,064	3103003
060 UKFG 400 ID	60	400	1,2	1,294	3103004
060 UKFG 500 ID	60	500	1,2	1,524	3103005
060 UKFG 600 ID	60	600	1,2	1,754	3103006



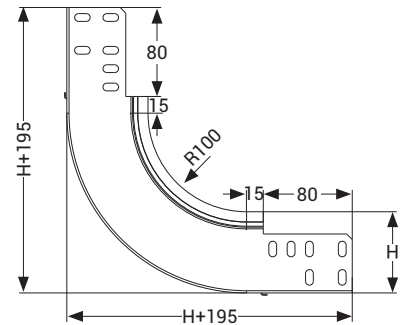
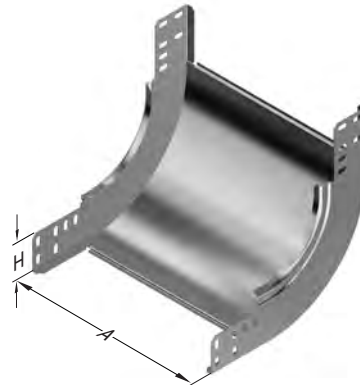
Description	A (mm)	T (mm)	Weight (kg/pcs)	PG Code
UKFG 100 ID COVER	100	1,2	0,196	3103052
UKFG 200 ID COVER	200	1,2	0,373	3103053
UKFG 300 ID COVER	300	1,2	0,546	3103054
UKFG 400 ID COVER	400	1,2	0,721	3103055
UKFG 500 ID COVER	500	1,2	0,896	3103056
UKFG 600 ID COVER	600	1,2	1,070	3103057



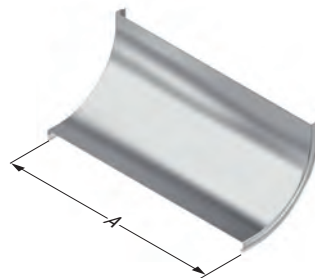
► UKFG ID Vertical Inside Bend With Snap-on Cover (90°)

Pre-Galvanized (TS EN 10346 - TS EN 10143)

Description	H (mm)	A (mm)	T (mm)	Weight (kg/pcs)	PG Code
075 UKFG 100 ID	75	100	1	0,628	3254432
075 UKFG 200 ID	75	200	1	0,990	3254433
075 UKFG 300 ID	75	300	1	1,351	3254434
075 UKFG 400 ID	75	400	1	1,712	3254435
075 UKFG 500 ID	75	500	1	2,074	3254436
075 UKFG 600 ID	75	600	1	2,435	3254437
100 UKFG 100 ID	100	100	1	0,751	3254438
100 UKFG 200 ID	100	200	1	1,144	3254439
100 UKFG 300 ID	100	300	1	1,536	3254440
100 UKFG 400 ID	100	400	1	1,928	3254441
100 UKFG 500 ID	100	500	1	2,320	3254442
100 UKFG 600 ID	100	600	1	2,712	3254443



Description	A (mm)	T (mm)	Weight (kg/pcs)	PG Code
UKFG 100 ID COVER	100	1	0,169	3254468
UKFG 200 ID COVER	200	1	0,302	3254469
UKFG 300 ID COVER	300	1	0,434	3254470
UKFG 400 ID COVER	400	1	0,566	3254471
UKFG 500 ID COVER	500	1	0,698	3254472
UKFG 600 ID COVER	600	1	0,830	3254473



Note: No need for cover clamp thanks to Snap-on cover.

- Please indicate order code in your orders.
- Please contact us for special dimensions.
- Material weights may vary by $\pm 10\%$

■ All dimensions are given as in mm

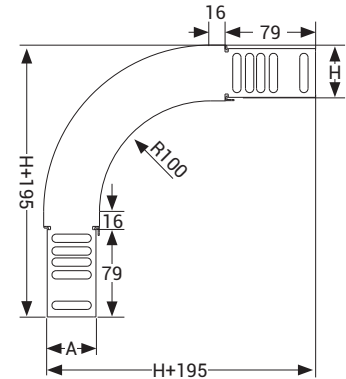
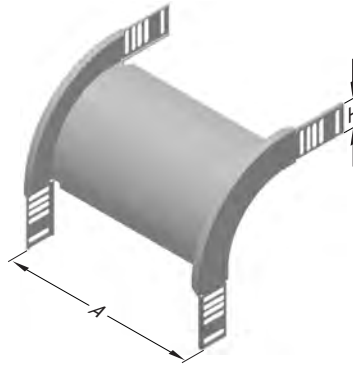
- PG= Pre-Galvanized
- HDG= Hot Dip Galvanized

►► BENDS

► UKFG DD Vertical Outside Bend (90°)

Pre-Galvanized (TS EN 10346 - TS EN 10143)

Description	H (mm)	A (mm)	T (mm)	Weight (kg/pcs)	PG Code
040 UKFG 100 DD	40	100	1,2	0,423	3103007
040 UKFG 200 DD	40	200	1,2	0,586	3103008
040 UKFG 300 DD	40	300	1,2	0,749	3103009
050 UKFG 100 DD	50	100	1,2	0,481	3103010
050 UKFG 200 DD	50	200	1,2	0,644	3103011
050 UKFG 300 DD	50	300	1,2	0,807	3103012
050 UKFG 400 DD	50	400	1,2	0,970	3103013
050 UKFG 500 DD	50	500	1,2	1,133	3103014
050 UKFG 600 DD	50	600	1,2	1,296	3103015
060 UKFG 100 DD	60	100	1,2	0,541	3103016
060 UKFG 200 DD	60	200	1,2	0,704	3103017
060 UKFG 300 DD	60	300	1,2	0,867	3103018
060 UKFG 400 DD	60	400	1,2	1,030	3103019
060 UKFG 500 DD	60	500	1,2	1,193	3103020
060 UKFG 600 DD	60	600	1,2	1,356	3103021



► UKFG DD Vertical Outside Bend (90°) Cover

Pre-Galvanized (TS EN 10346 - TS EN 10143)

Description	A (mm)	T (mm)	Weight (kg/pcs)	PG Code
040 UKFG 100 DD COVER	100	1,2	0,259	3103058
040 UKFG 200 DD COVER	200	1,2	0,495	3103059
040 UKFG 300 DD COVER	300	1,2	0,732	3103060
050 UKFG 100 DD COVER	100	1,2	0,275	3103061
050 UKFG 200 DD COVER	200	1,2	0,527	3103062
050 UKFG 300 DD COVER	300	1,2	0,778	3103063
050 UKFG 400 DD COVER	400	1,2	1,029	3103064
050 UKFG 500 DD COVER	500	1,2	1,280	3103065
050 UKFG 600 DD COVER	600	1,2	1,531	3103066
060 UKFG 100 DD COVER	100	1,2	0,292	3103067
060 UKFG 200 DD COVER	200	1,2	0,558	3103068
060 UKFG 300 DD COVER	300	1,2	0,823	3103069
060 UKFG 400 DD COVER	400	1,2	1,089	3103070
060 UKFG 500 DD COVER	500	1,2	1,355	3103071
060 UKFG 600 DD COVER	600	1,2	1,621	3103072



- Please indicate order code in your orders.
- Please contact us for special dimensions.
- Material weights may vary by $\pm 10\%$

■ All dimensions are given as in mm

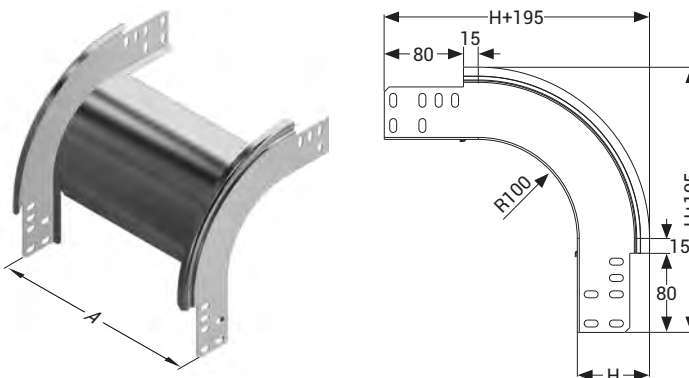
- PG= Pre-Galvanized
- HDG= Hot Dip Galvanized

►► BENDS

► UKFG DD Vertical Outside Bend (90°)

Pre-Galvanized (TS EN 10346 - TS EN 10143)

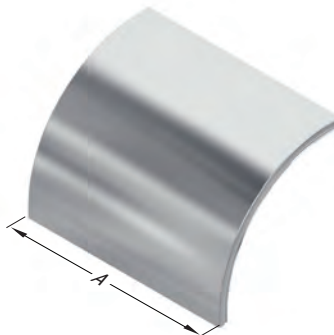
Description	H (mm)	A (mm)	T (mm)	Weight (kg/pcs)	PG Code
075 UKFG 100 DD	75	100	1	0,634	3254444
075 UKFG 200 DD	75	200	1	0,791	3254445
075 UKFG 300 DD	75	300	1	0,948	3254446
075 UKFG 400 DD	75	400	1	1,105	3254447
075 UKFG 500 DD	75	500	1	1,262	3254448
075 UKFG 600 DD	75	600	1	1,418	3254449
100 UKFG 100 DD	100	100	1	0,822	3254450
100 UKFG 200 DD	100	200	1	0,979	3254451
100 UKFG 300 DD	100	300	1	1,136	3254452
100 UKFG 400 DD	100	400	1	1,293	3254453
100 UKFG 500 DD	100	500	1	1,450	3254454
100 UKFG 600 DD	100	600	1	1,606	3254455



► UKFG DD Vertical Outside Bend (90°) Cover

Pre-Galvanized (TS EN 10346 - TS EN 10143)

Description	A (mm)	T (mm)	Weight (kg/pcs)	PG Code
075 UKFG 100 DD COVER	100	1	0,297	3254456
075 UKFG 200 DD COVER	200	1	0,535	3254457
075 UKFG 300 DD COVER	300	1	0,772	3254458
075 UKFG 400 DD COVER	400	1	1,010	3254459
075 UKFG 500 DD COVER	500	1	1,247	3254460
075 UKFG 600 DD COVER	600	1	1,485	3254461
100 UKFG 100 DD COVER	100	1	0,336	3254462
100 UKFG 200 DD COVER	200	1	0,604	3254463
100 UKFG 300 DD COVER	300	1	0,873	3254464
100 UKFG 400 DD COVER	400	1	1,141	3254465
100 UKFG 500 DD COVER	500	1	1,409	3254466
100 UKFG 600 DD COVER	600	1	1,678	3254467



- Please indicate order code in your orders.
- Please contact us for special dimensions.
- Material weights may vary by ± 10%

■ All dimensions are given as in mm

- PG= Pre-Galvanized
- HDG= Hot Dip Galvanized

UK

►► REDUCTION FITTING

► UKFG REDUCTION

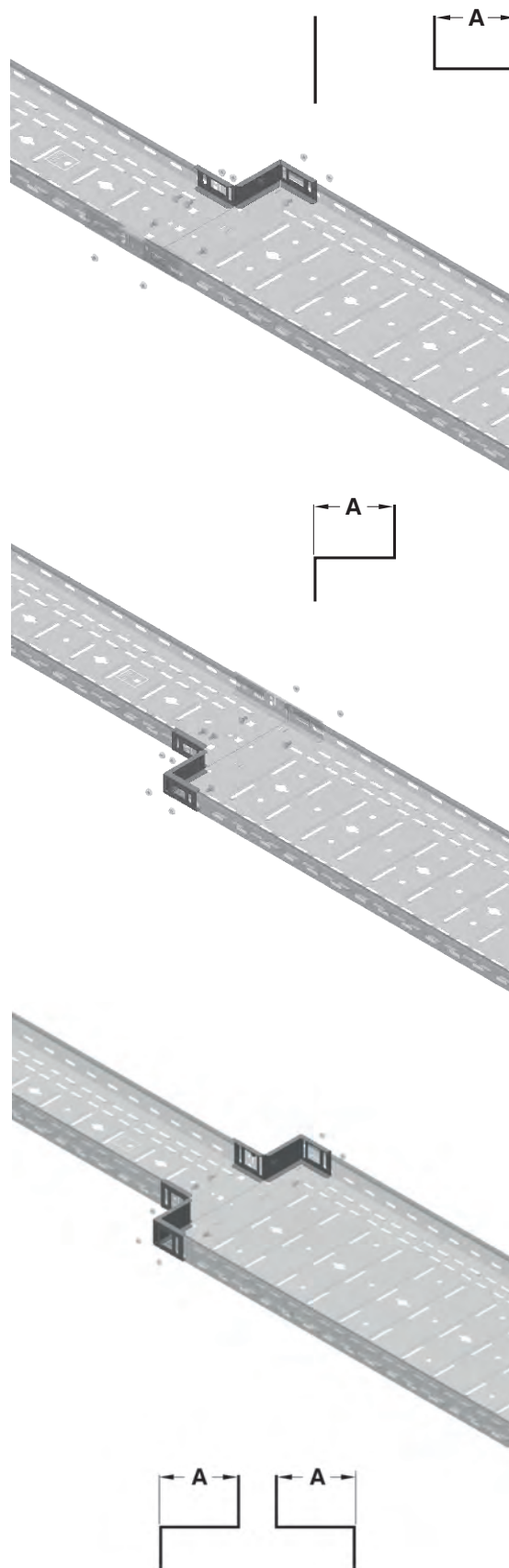
Pre-Galvanized (TS EN 10346 - TS EN 10143)

Description	H (mm)	A (mm)	T (mm)	Weight (kg/pcs)	PG Code
040 UKFG 050 RD	40	50	1,2	0,179	3103088
040 UKFG 100 RD	40	100	1,2	0,207	3103089
040 UKFG 150 RD	40	150	1,2	0,236	3103090
040 UKFG 200 RD	40	200	1,2	0,264	3103091
040 UKFG 250 RD	40	250	1,2	0,293	3103092
040 UKFG 300 RD	40	300	1,2	0,321	3103093
050 UKFG 050 RD	50	50	1,2	0,199	3103094
050 UKFG 100 RD	50	100	1,2	0,232	3103095
050 UKFG 150 RD	50	150	1,2	0,266	3103096
050 UKFG 200 RD	50	200	1,2	0,299	3103097
050 UKFG 250 RD	50	250	1,2	0,332	3103098
050 UKFG 300 RD	50	300	1,2	0,365	3103099
060 UKFG 050 RD	60	50	1,2	0,237	3103100
060 UKFG 100 RD	60	100	1,2	0,275	3103101
060 UKFG 150 RD	60	150	1,2	0,313	3103102
060 UKFG 200 RD	60	200	1,2	0,351	3103103
060 UKFG 250 RD	60	250	1,2	0,389	3103104
060 UKFG 300 RD	60	300	1,2	0,427	3103105

► UKFG Middle Reduction Fitting

Pre-Galvanized (TS EN 10346 - TS EN 10143)

Description	H (mm)	A (mm)	T (mm)	Weight (kg/pcs)	PG Code
040 UKFG 050 RD	40	50	1,2	0,200	3103106
040 UKFG 100 RD	40	100	1,2	0,256	3103107
040 UKFG 150 RD	40	150	1,2	0,314	3103108
040 UKFG 200 RD	40	200	1,2	0,370	3103109
040 UKFG 250 RD	40	250	1,2	0,428	3103110
040 UKFG 300 RD	40	300	1,2	0,484	3103111
050 UKFG 050 RD	50	50	1,2	0,220	3103112
050 UKFG 100 RD	50	100	1,2	0,286	3103113
050 UKFG 150 RD	50	150	1,2	0,354	3103114
050 UKFG 200 RD	50	200	1,2	0,420	3103115
050 UKFG 250 RD	50	250	1,2	0,486	3103116
050 UKFG 300 RD	50	300	1,2	0,552	3103117
060 UKFG 050 RD	60	50	1,2	0,240	3103118
060 UKFG 100 RD	60	100	1,2	0,316	3103119
060 UKFG 150 RD	60	150	1,2	0,392	3103120
060 UKFG 200 RD	60	200	1,2	0,468	3103121
060 UKFG 250 RD	60	250	1,2	0,544	3103122
060 UKFG 300 RD	60	300	1,2	0,620	3103123



- Please indicate order code in your orders.
- Please contact us for special dimensions.
- Material weights may vary by ± 10%

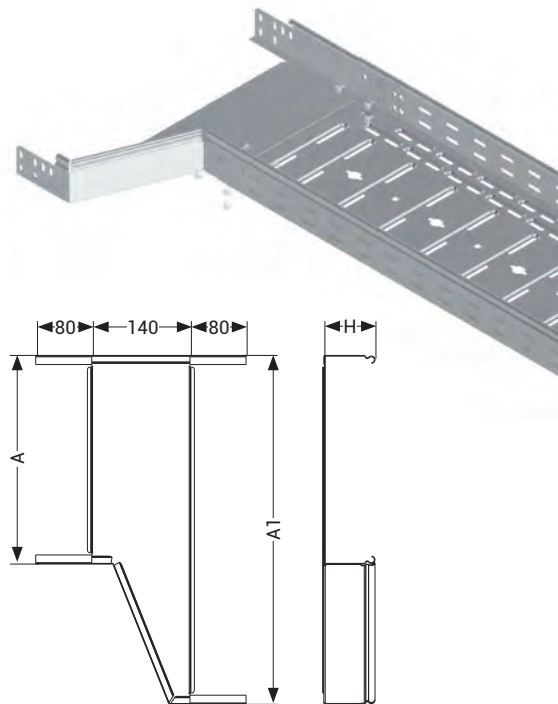
■ All dimensions are given as in mm

- PG= Pre-Galvanized
- HDG= Hot Dip Galvanized

►► UKFG LEFT-HAND REDUCTION FITTING

Pre-Galvanized (TS EN 10346 - TS EN 10143)

Description	H (mm)	A (mm)	A1 (mm)	L (mm)	T (mm)	Weight (kg/pcs)	PG Code
075 UKFG RD(100-200)	75	100	200	90	1	0,446	3254569
075 UKFG RD(100-300)	75	100	300	140	1	0,685	3254570
075 UKFG RD(200-300)	75	200	300	90	1	0,529	3254571
075 UKFG RD(200-400)	75	200	400	140	1	0,807	3254572
075 UKFG RD(300-400)	75	200	500	90	1	0,956	3254573
075 UKFG RD(200-500)	75	300	400	190	1	0,779	3254574
075 UKFG RD(300-500)	75	300	500	140	1	0,929	3254575
075 UKFG RD(400-500)	75	300	600	90	1	1,118	3254576
075 UKFG RD(300-600)	75	400	500	190	1	0,862	3254577
075 UKFG RD(400-600)	75	400	600	140	1	1,051	3254578
075 UKFG RD(500-600)	75	500	600	90	1	0,777	3254579
100 UKFG RD(100-200)	100	100	200	90	1	0,559	3254580
100 UKFG RD(100-300)	100	100	300	140	1	0,829	3254581
100 UKFG RD(200-300)	100	200	300	90	1	0,642	3254582
100 UKFG RD(200-400)	100	200	400	140	1	0,951	3254583
100 UKFG RD(300-400)	100	200	500	90	1	0,994	3254584
100 UKFG RD(200-500)	100	300	400	190	1	1,030	3254585
100 UKFG RD(300-500)	100	300	500	140	1	1,073	3254586
100 UKFG RD(400-500)	100	300	600	90	1	1,251	3254587
100 UKFG RD(300-600)	100	400	500	190	1	1,018	3254588
100 UKFG RD(400-600)	100	400	600	140	1	1,195	3254589
100 UKFG RD(500-600)	100	500	600	90	1	0,890	3254590

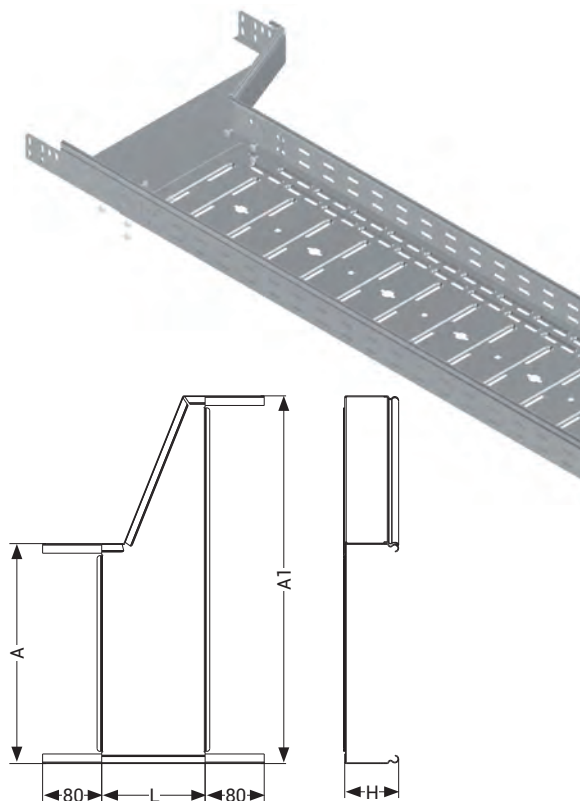


UK

► UKFG Right-Hand Reduction Fitting

Pre-Galvanized (TS EN 10346 - TS EN 10143)

Description	H (mm)	A (mm)	A1 (mm)	L (mm)	T (mm)	Weight (kg/pcs)	PG Code
075 UKFG RD(100-200)	75	100	200	90	1	0,446	3254547
075 UKFG RD(100-300)	75	100	300	140	1	0,685	3254548
075 UKFG RD(200-300)	75	200	300	90	1	0,529	3254549
075 UKFG RD(200-400)	75	200	400	140	1	0,807	3254550
075 UKFG RD(300-400)	75	200	500	90	1	0,956	3254551
075 UKFG RD(200-500)	75	300	400	190	1	0,779	3254552
075 UKFG RD(300-500)	75	300	500	140	1	0,929	3254553
075 UKFG RD(400-500)	75	300	600	90	1	1,118	3254554
075 UKFG RD(300-600)	75	400	500	190	1	0,862	3254555
075 UKFG RD(400-600)	75	400	600	140	1	1,051	3254556
075 UKFG RD(500-600)	75	500	600	90	1	0,777	3254557
100 UKFG RD(100-200)	100	100	200	90	1	0,559	3254558
100 UKFG RD(100-300)	100	100	300	140	1	0,829	3254559
100 UKFG RD(200-300)	100	200	300	90	1	0,642	3254560
100 UKFG RD(200-400)	100	200	400	140	1	0,951	3254561
100 UKFG RD(300-400)	100	200	500	90	1	0,994	3254562
100 UKFG RD(200-500)	100	300	400	190	1	1,030	3254563
100 UKFG RD(300-500)	100	300	500	140	1	1,073	3254564
100 UKFG RD(400-500)	100	300	600	90	1	1,251	3254565
100 UKFG RD(300-600)	100	400	500	190	1	1,018	3254566
100 UKFG RD(400-600)	100	400	600	140	1	1,195	3254567
100 UKFG RD(500-600)	100	500	600	90	1	0,89	3254568



- Please indicate order code in your orders.
- Please contact us for special dimensions.
- Material weights may vary by ± 10%

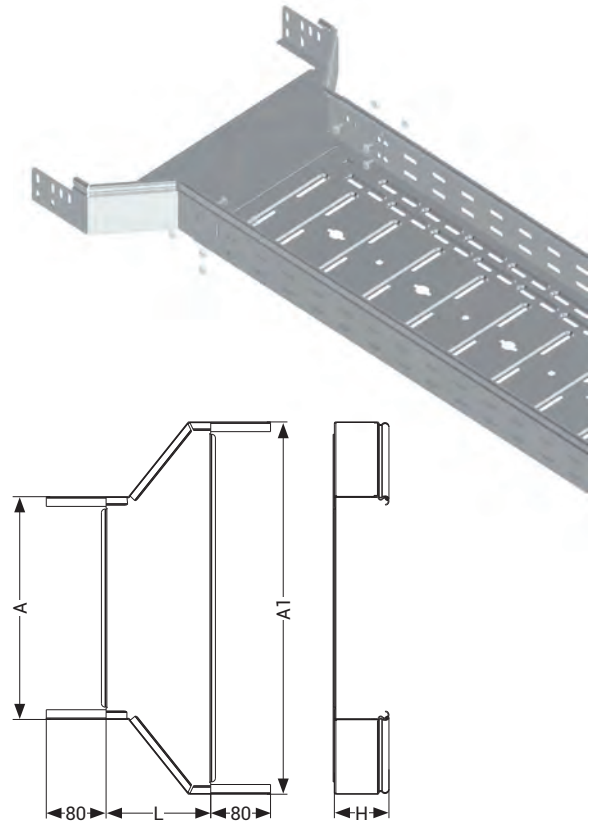
■ All dimensions are given as in mm

- PG= Pre-Galvanized
- HDG= Hot Dip Galvanized

►► UKFG MIDDLE REDUCTION FITTING

Pre-Galvanized (TS EN 10346 - TS EN 10143)

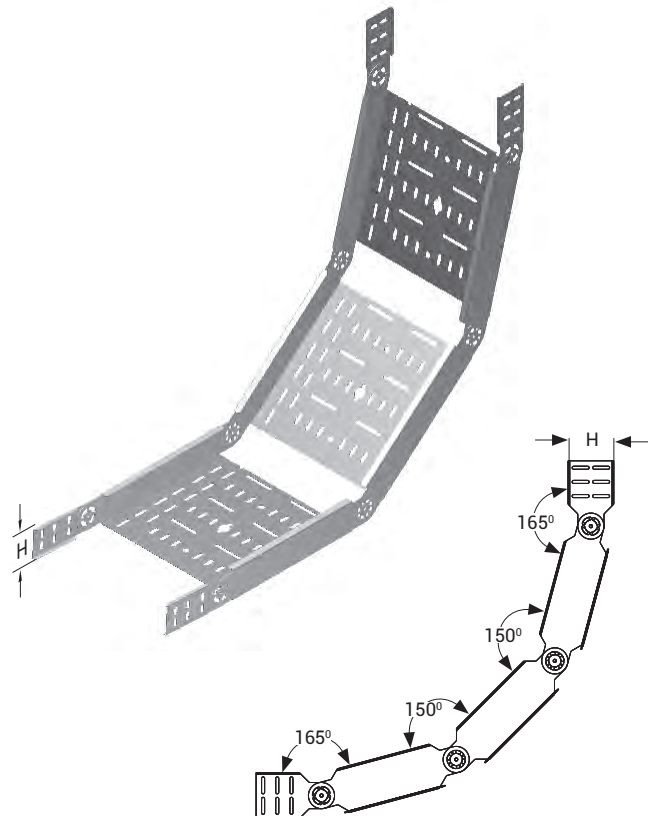
Description	H (mm)	A (mm)	A1 (mm)	L (mm)	T (mm)	Weight (kg/pcs)	PG Code
075 UKFG RD(100-200)	75	100	200	90	1	0,430	3254525
075 UKFG RD(100-300)	75	100	300	140	1	0,653	3254526
075 UKFG RD(200-300)	75	200	300	90	1	0,513	3254527
075 UKFG RD(200-400)	75	200	400	140	1	0,775	3254528
075 UKFG RD(300-400)	75	200	500	90	1	0,595	3254529
075 UKFG RD(200-500)	75	300	400	190	1	1,077	3254530
075 UKFG RD(300-500)	75	300	500	140	1	0,897	3254531
075 UKFG RD(400-500)	75	300	600	90	1	0,678	3254532
075 UKFG RD(300-600)	75	400	500	190	1	1,238	3254533
075 UKFG RD(400-600)	75	400	600	140	1	1,019	3254534
075 UKFG RD(500-600)	75	500	600	90	1	0,761	3254535
100 UKFG RD(100-200)	100	100	200	90	1	0,538	3254536
100 UKFG RD(100-300)	100	100	300	140	1	0,789	3254537
100 UKFG RD(200-300)	100	200	300	90	1	0,621	3254538
100 UKFG RD(200-400)	100	200	400	140	1	0,911	3254539
100 UKFG RD(300-400)	100	200	500	90	1	0,703	3254540
100 UKFG RD(200-500)	100	300	400	190	1	1,241	3254541
100 UKFG RD(300-500)	100	300	500	140	1	1,033	3254542
100 UKFG RD(400-500)	100	300	600	90	1	0,786	3254543
100 UKFG RD(300-600)	100	400	500	190	1	1,402	3254544
100 UKFG RD(400-600)	100	400	600	140	1	1,155	3254545
100 UKFG RD(500-600)	100	500	600	90	1	0,869	3254546



►► UKFG Level Adaptation Bend

Pre-Galvanized (TS EN 10346 - TS EN 10143)

Description	H (mm)	A (mm)	T (mm)	Weight (kg/pcs)	PG Code
040 UKFG 100 SDM	40	100	1,2	1,805	3103073
040 UKFG 200 SDM	40	200	1,2	2,354	3103074
040 UKFG 300 SDM	40	300	1,2	2,900	3103075
050 UKFG 100 SDM	50	100	1,2	2,033	3103076
050 UKFG 200 SDM	50	200	1,2	2,582	3103077
050 UKFG 300 SDM	50	300	1,2	3,128	3103078
050 UKFG 400 SDM	50	400	1,2	3,683	3103079
050 UKFG 500 SDM	50	500	1,2	4,223	3103080
050 UKFG 600 SDM	50	600	1,2	4,778	3103081
060 UKFG 100 SDM	60	100	1,2	2,295	3103082
060 UKFG 200 SDM	60	200	1,2	2,844	3103083
060 UKFG 300 SDM	60	300	1,2	3,390	3103084
060 UKFG 400 SDM	60	400	1,2	3,945	3103085
060 UKFG 500 SDM	60	500	1,2	4,485	3103086
060 UKFG 600 SDM	60	600	1,2	5,040	3103087



- Please indicate order code in your orders.
- Please contact us for special dimensions.
- Material weights may vary by ± 10%

■ All dimensions are given as in mm

- PG= Pre-Galvanized
- HDG= Hot Dip Galvanized

►► UKFG JOINT FITTINGS

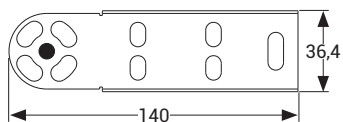
► UKFG Level Adaptation Joint Set

Pre-Galvanized (TS EN 10346 - TS EN 10143)

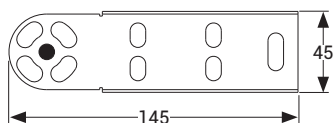
Description	A (mm)	T (mm)	Weight (kg/pcs)	PG Code
040 UKFG SDE	40	1,2	0,224	3103124
050 UKFG SDE	50	1,2	0,284	3103125
060 UKFG SDE	60	1,2	0,360	3103126



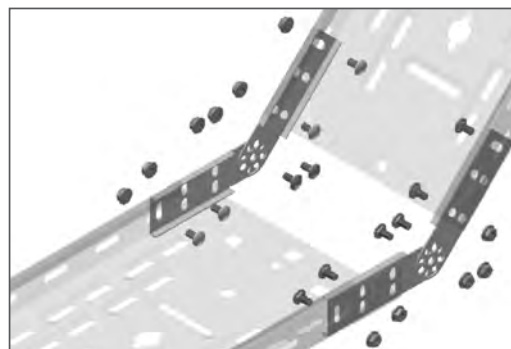
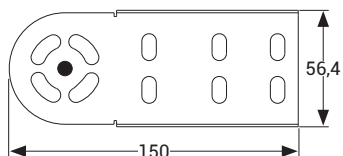
040 UKFG - SDE



050 UKFG - SDE



060 UKFG - SDE

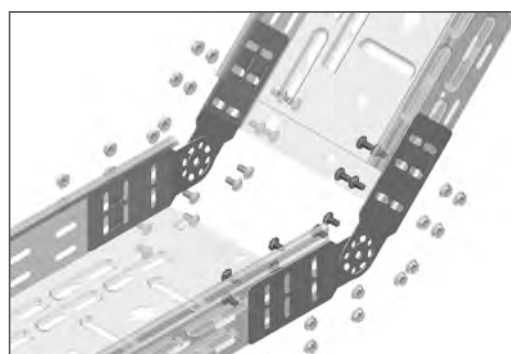
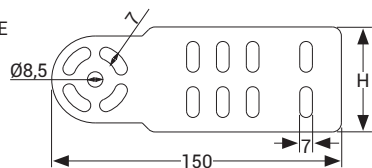


Includes: 4 Units of Level Adaptation Joint,
4 Units of M6x12 Bolts, 4 Units of M6 Bolt Nuts.

Description	A (mm)	T (mm)	Weight (kg/pcs)	PG Code
075 UKFG SDE	75	1,2	0,304	3254591
100 UKFG SDE	100	1,2	0,376	3254592



075 UKFG - SDE



Includes: 4 Units of Level Adaptation Joint,
4 Units of M6x12 Bolts, 4 Units of M6 Bolt Nuts.

- Please indicate order code in your orders.
- Please contact us for special dimensions.
- Material weights may vary by ± 10%

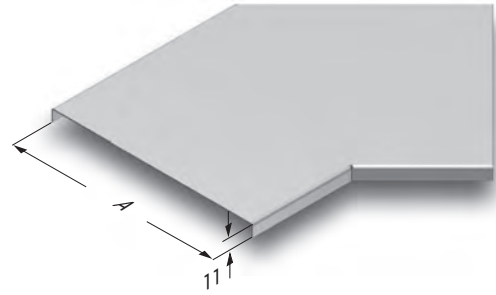
■ All dimensions are given as in mm

- PG= Pre-Galvanized
- HDG= Hot Dip Galvanized

►► BEND COVER

► UKK Horizontal Degree Bend (45°) Pre-Galvanized (TS EN 10346 - TS EN 10143)

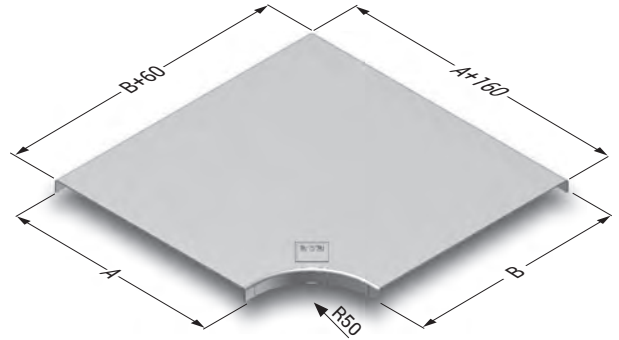
Description	A (mm)	T=1,2		T=1,5		T=2	
		Weight (kg/pcs)	PG Code	Weight (kg/pcs)	PG Code	Weight (kg/pcs)	PG Code
UKK 050 YD 45°	50	0,072	3273566	0,092	3273499	0,125	3273433
UKK 100 YD 45°	100	0,145	3273567	0,183	3273500	0,248	3273434
UKK 150 YD 45°	150	0,237	3273568	0,299	3273501	0,404	3273435
UKK 200 YD 45°	200	0,349	3273569	0,439	3273502	0,592	3273436
UKK 250 YD 45°	250	0,481	3273570	0,604	3273503	0,812	3273437
UKK 300 YD 45°	300	0,632	3273571	0,793	3273504	1,065	3273438
UKK 400 YD 45°	400	0,992	3273572	1,245	3273505	1,668	3273439
UKK 500 YD 45°	500	1,431	3273573	1,794	3273506	2,402	3273440
UKK 600 YD 45°	600	1,947	3273574	2,440	3273507	3,265	3273441



► UKK Horizontal Degree Bend (90°) R=50

Pre-Galvanized (TS EN 10346 - TS EN 10143)

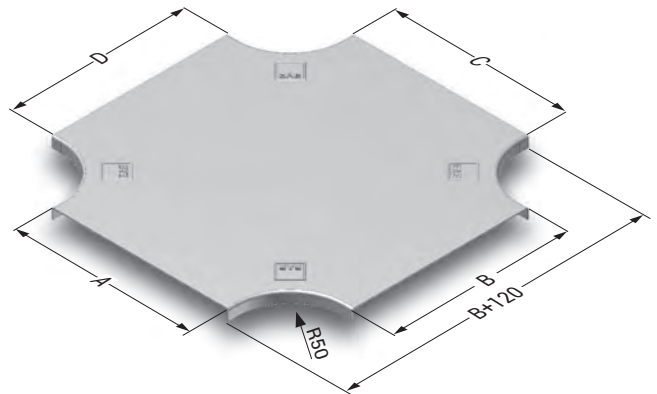
Description	AB (mm)	T=1,2		T=1,5		T=2	
		Weight (kg/pcs)	PG Code	Weight (kg/pcs)	PG Code	Weight (kg/pcs)	PG Code
UKK 050 YD 90°	50	0,121	3008347	0,151	3273909	0,202	3273973
UKK 100 YD 90°	100	0,259	3008346	0,324	3273910	0,434	3273974
UKK 150 YD 90°	150	0,445	3008345	0,556	3273911	0,743	3273975
UKK 200 YD 90°	200	0,677	3008344	0,847	3273912	1,131	3273976
UKK 250 YD 90°	250	0,957	3008343	1,197	3273913	1,598	3273977
UKK 300 YD 90°	300	1,284	3008342	1,606	3273914	2,143	3273978
UKK 400 YD 90°	400	2,079	3008341	2,600	3273915	3,469	3273979
UKK 500 YD 90°	500	3,062	3008340	3,829	3273916	5,109	3273980
UKK 600 YD 90°	600	4,234	3001735	5,294	3273917	7,062	3273981



► UKK Cross Over Bend Cover R=50

Pre-Galvanized (TS EN 10346 - TS EN 10143)

Description	ABCD (mm)	T=1,2		T=1,5		T=2	
		Weight (kg/pcs)	PG Code	Weight (kg/pcs)	PG Code	Weight (kg/pcs)	PG Code
UKK 050 AD	50	0,200	3008363	0,250	3272473	0,334	3272537
UKK 100 AD	100	0,384	3008362	0,480	3272474	0,640	3272538
UKK 150 AD	150	0,614	3008361	0,768	3272475	1,024	3272539
UKK 200 AD	200	0,892	3008360	1,115	3272476	1,488	3272540
UKK 250 AD	250	1,217	3008359	1,522	3272477	2,029	3272541
UKK 300 AD	300	1,589	3008358	1,987	3272478	2,649	3272542
UKK 400 AD	400	2,475	3008357	3,094	3272479	4,125	3272543
UKK 500 AD	500	3,549	3008356	4,436	3272480	5,195	3272544
UKK 600 AD	600	4,811	3001737	6,014	3272481	8,019	3272545



■ Please contact your representative for inquiries regarding stainless steel alternatives.

■ Please indicate order code in your orders.

■ Please contact us for special dimensions.

■ Material weights may vary by ± 10%

■ All dimensions are given as in mm

■ PG= Pre-Galvanized

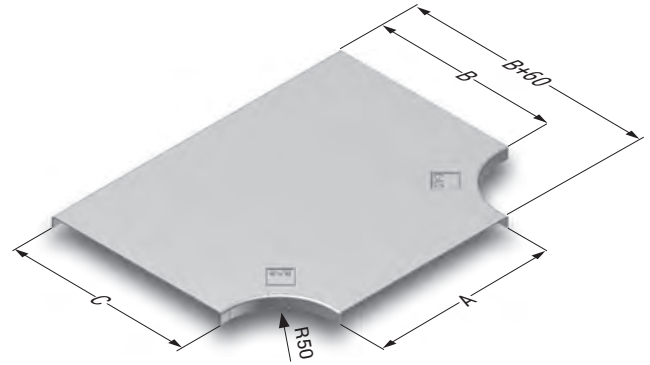
■ HDG= Hot Dip Galvanized

►► BEND COVER

► UKK YT Tee Bend Cover R=50

Pre-Galvanized (TS EN 10346 - TS EN 10143)

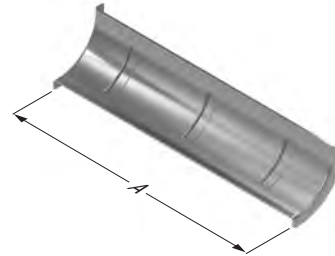
Description	ABC (mm)	T=1,2		T=1,5		T=2	
		Weight (kg/pcs)	PG Code	Weight (kg/pcs)	PG Code	Weight (kg/pcs)	PG Code
UKK 050 YT	50	0,160	3008355	0,200	3274085	0,266	3274149
UKK 100 YT	100	0,322	3008354	0,402	3274086	0,535	3274150
UKK 150 YT	150	0,530	3008353	0,662	3274087	0,882	3274151
UKK 200 YT	200	0,786	3008352	0,982	3274088	1,308	3274152
UKK 250 YT	250	1,089	3008351	1,360	3274089	1,812	3274153
UKK 300 YT	300	1,438	3008350	1,797	3274090	2,394	3274154
UKK 400 YT	400	2,284	3008349	2,854	3274091	3,803	3274155
UKK 500 YT	500	3,320	3008348	4,149	3274092	5,529	3274156
UKK 600 YT	600	4,540	3001736	5,674	3274093	7,561	3274157



► UKK Vertical Inside Bend (90°)

Pre-Galvanized (TS EN 10346 - TS EN 10143)

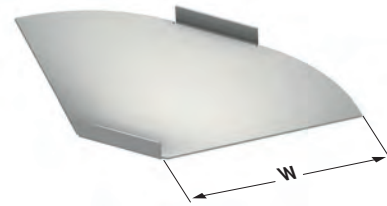
Description	A (mm)	T=1,2		T=1,5		T=2	
		Weight (kg/pcs)	PG Code	Weight (kg/pcs)	PG Code	Weight (kg/pcs)	PG Code
UKK 050 ID	50	0,061	3194643	0,076	3273324	0,101	3273260
UKK 100 ID	100	0,102	3194645	0,127	3273325	0,168	3273261
UKK 150 ID	150	0,142	3194646	0,177	3273326	0,234	3273262
UKK 200 ID	200	0,182	3194647	0,227	3273327	0,301	3273263
UKK 250 ID	250	0,222	3194648	0,277	3273328	0,367	3273264
UKK 300 ID	300	0,263	3194649	0,327	3273329	0,434	3273265
UKK 400 ID	400	0,343	3194650	0,428	3273330	0,567	3273266
UKK 500 ID	500	0,424	3194651	0,528	3273331	0,700	3273267
UKK 600 ID	600	0,505	3194652	0,628	3273332	0,833	3273268



► UK Flexible Bend Cover

Pre-Galvanized (TS EN 10346 - TS EN 10143)

Description	W (mm)	T (mm)	Weight (kg)	PG Code
100 UK Flexible Bend Cover	55	1	0,047	3246174
100 UK Flexible Bend Cover	105	1	0,115	3246175
150 UK Flexible Bend Cover	155	1	0,214	3253954
200 UK Flexible Bend Cover	205	1	0,344	3246176
300 UK Flexible Bend Cover	305	1,2	0,835	3246178
400 UK Flexible Bend Cover	405	1,2	1,406	3246179
500 UK Flexible Bend Cover	505	1,5	2,655	3246177
600 UK Flexible Bend Cover	605	1,5	3,738	3246180



► UKK Add-On Tee Cover

Pre-Galvanized (TS EN 10346 - TS EN 10143)

Description	A (mm)	T=1,2		T=1,5		T=2	
		Weight (kg/pcs)	PG Code	Weight (kg/pcs)	PG Code	Weight (kg/pcs)	PG Code
UKK 050 Add-On Tee Cover	50	0,088	3246190	0,110	3300887	0,147	3300896
UKK 100 Add-On Tee Cover	100	0,126	3246191	0,158	3300888	0,210	3300897
UKK 150 Add-On Tee Cover	150	0,163	3253979	0,204	3300889	0,272	3300898
UKK 200 Add-On Tee Cover	200	0,201	3300881	0,251	3300890	0,335	3300899
UKK 250 Add-On Tee Cover	250	0,239	3300882	0,299	3300891	0,398	3300900
UKK 300 Add-On Tee Cover	300	0,276	3300883	0,345	3300892	0,460	3300901
UKK 400 Add-On Tee Cover	400	0,352	3300884	0,440	3300893	0,587	3300902
UKK 500 Add-On Tee Cover	500	0,427	3300885	0,534	3300894	0,712	3300903
UKK 600 Add-On Tee Cover	600	0,502	3300886	0,628	3300895	0,837	3300904

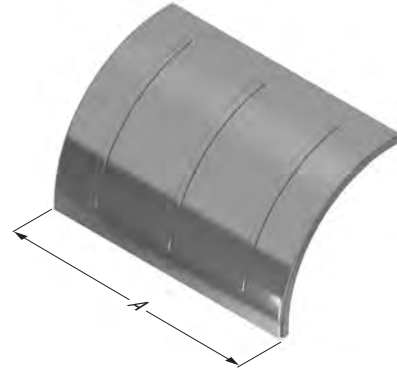


- Please contact your representative for inquiries regarding stainless steel alternatives.
- Please indicate order code in your orders.
- Please contact us for special dimensions.
- Material weights may vary by ± 10%

■ All dimensions are given as in mm

- PG= Pre-Galvanized
- HDG= Hot Dip Galvanized

Description	A (mm)	T=1,2		T=2	
		Weight (kg/pcs)	PG Code	Weight (kg/pcs)	PG Code
40 UKK DD COVER 050	50	0,112	3274269	0,188	3272615
40 UKK DD COVER 100	100	0,188	3274270	0,314	3272616
40 UKK DD COVER 150	150	0,265	3274294	0,443	3272617
40 UKK DD COVER 200	200	0,341	3274295	0,569	3272618
40 UKK DD COVER 250	250	0,418	3274296	0,698	3272619
40 UKK DD COVER 300	300	0,494	3274297	0,825	3272620
40 UKK DD COVER 400	400	0,647	3274298	1,080	3272621
40 UKK DD COVER 500	500	0,800	3274299	1,335	3272622
40 UKK DD COVER 600	600	0,950	3274300	1,587	3272623
50 UKK DD COVER 050	50	0,124	3272819	0,207	3272624
50 UKK DD COVER 100	100	0,206	3272820	0,346	3272625
50 UKK DD COVER 150	150	0,292	3272821	0,487	3272626
50 UKK DD COVER 200	200	0,375	3272822	0,625	3272627
50 UKK DD COVER 250	250	0,460	3272823	0,767	3272628
50 UKK DD COVER 300	300	0,543	3272824	0,906	3272629
50 UKK DD COVER 400	400	0,711	3272825	1,186	3272630
50 UKK DD COVER 500	500	0,879	3272826	1,466	3272631
50 UKK DD COVER 600	600	1,044	3272827	1,743	3272632
60 UKK DD COVER 050	50	0,138	3359113	0,230	3359114
60 UKK DD COVER 100	100	0,225	3274301	0,376	3272633
60 UKK DD COVER 150	150	0,318	3274302	0,531	3272634
60 UKK DD COVER 200	200	0,408	3274303	0,681	3272635
60 UKK DD COVER 250	250	0,501	3274304	0,836	3272636
60 UKK DD COVER 300	300	0,591	3274305	0,987	3272637
60 UKK DD COVER 400	400	0,775	3274306	1,292	3272638
60 UKK DD COVER 500	500	0,958	3274307	1,597	3272639
60 UKK DD COVER 600	600	1,138	3274308	1,899	3272640
75 UKK DD COVER 100	100	0,253	3272828	0,423	3272641
75 UKK DD COVER 150	150	0,358	3272829	0,596	3272642
75 UKK DD COVER 200	200	0,459	3272830	0,765	3272643
75 UKK DD COVER 250	250	0,564	3272831	0,938	3272644
75 UKK DD COVER 300	300	0,665	3272832	1,108	3272645
75 UKK DD COVER 400	400	0,871	3272833	1,450	3272646
75 UKK DD COVER 500	500	1,076	3272834	1,793	3272647
75 UKK DD COVER 600	600	1,279	3272835	2,132	3272648
100 UKK DD COVER 100	100	0,300	3274309	0,500	3272649
100 UKK DD COVER 150	150	0,424	3274310	0,705	3272650
100 UKK DD COVER 200	200	0,543	3274311	0,906	3272651
100 UKK DD COVER 250	250	0,667	3274312	1,111	3272652
100 UKK DD COVER 300	300	0,787	3274313	1,311	3272653
100 UKK DD COVER 400	400	1,030	3274314	1,716	3272654
100 UKK DD COVER 500	500	1,274	3274315	2,121	3272655
100 UKK DD COVER 600	600	1,514	3274316	2,522	3272656



■ Please contact your representative for inquiries regarding stainless steel alternatives.

■ Please indicate order code in your orders.

■ Please contact us for special dimensions.

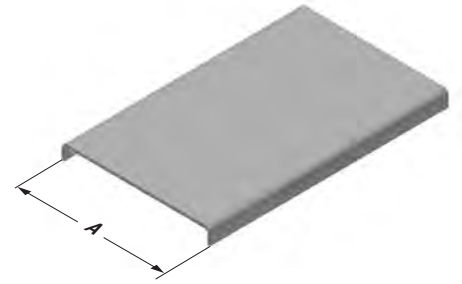
■ Material weights may vary by ± 10%

■ All dimensions are given as in mm

■ PG= Pre-Galvanized

■ HDG= Hot Dip Galvanized

Description	A (mm)	T=1,2		T=1,5		T=2	
		Weight (kg/pcs)	PG Code	Weight (kg/pcs)	PG Code	Weight (kg/pcs)	PG Code
040-050-060 UK SDM COVER 50	50	0,134	3301039	0,168	3301080	0,224	3253452
040-050-060 UK SDM COVER 100	100	0,229	3301040	0,286	3301081	0,381	3253453
040-050-060 UK SDM COVER 150	150	0,323	3301041	0,404	3301082	0,538	3253454
040-050-060 UK SDM COVER 200	200	0,417	3301042	0,521	3301083	0,695	3253455
040-050-060 UK SDM COVER 250	250	0,511	3301043	0,639	3301084	0,852	3253456
040-050-060 UK SDM COVER 300	300	0,605	3301044	0,757	3301085	1,009	3253457
040-050-060 UK SDM COVER 400	400	0,794	3301045	0,992	3301086	1,323	3253458
040-050-060 UK SDM COVER 500	500	0,982	3301046	1,228	3301087	1,637	3253459
040-050-060 UK SDM COVER 600	600	1,171	3301047	1,463	3301088	1,951	3253460
075 UK SDM COVER 100	100	0,194	3301048	0,243	3301089	0,324	3301097
075 UK SDM COVER 150	150	0,275	3301049	0,344	3301090	0,458	3301098
075 UK SDM COVER 200	200	0,355	3301050	0,443	3301091	0,591	3301099
075 UK SDM COVER 250	250	0,434	3301051	0,543	3301092	0,724	3301100
075 UK SDM COVER 300	300	0,515	3301052	0,644	3301093	0,858	3301101
075 UK SDM COVER 400	400	0,675	3301053	0,844	3301094	1,125	3301102
075 UK SDM COVER 500	500	0,835	3301054	1,044	3301095	1,392	3301103
075 UK SDM COVER 600	600	0,995	3301055	1,244	3301096	1,659	3301104
100 UK SDM COVER 100	100	0,172	3302028	0,215	3302036	0,286	3302044
100 UK SDM COVER 150	150	0,242	3302029	0,303	3302037	0,404	3302045
100 UK SDM COVER 200	200	0,313	3302030	0,391	3302038	0,521	3302046
100 UK SDM COVER 250	250	0,383	3302031	0,479	3302039	0,639	3302047
100 UK SDM COVER 300	300	0,454	3302032	0,568	3302040	0,757	3302048
100 UK SDM COVER 400	400	0,595	3302033	0,744	3302041	0,992	3302049
100 UK SDM COVER 500	500	0,737	3302034	0,921	3302042	1,228	3302050
100 UK SDM COVER 600	600	0,878	3302035	1,097	3302043	1,463	3302051

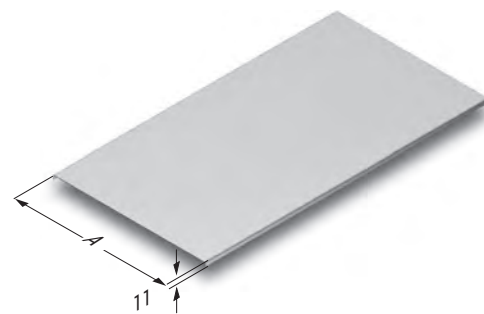


UK

► UKE TD Wall Mounted Bend Cover

Pre-Galvanized (TS EN 10346 - TS EN 10143)

Description	A (mm)	T (mm)	Weight (kg/pcs)	PG Code
UKE 50 TD COVER	50	1,2	0,104	3006661
UKE 100 TD COVER	100	1,2	0,233	3006660
UKE 150 TD COVER	150	1,2	0,409	3006659
UKE 200 TD COVER	200	1,2	0,632	3006658
UKE 250 TD COVER	250	1,2	0,773	3006657
UKE 300 TD COVER	300	1,2	0,915	3006656
UKE 400 TD COVER	400	1,2	1,197	3006655
UKE 500 TD COVER	500	1,2	1,480	3006654
UKE 600 TD COVER	600	1,2	1,762	3001732



■ Please contact your representative for inquiries regarding stainless steel alternatives.

■ Please indicate order code in your orders.

■ Please contact us for special dimensions.

■ Material weights may vary by ± 10%

■ All dimensions are given as in mm

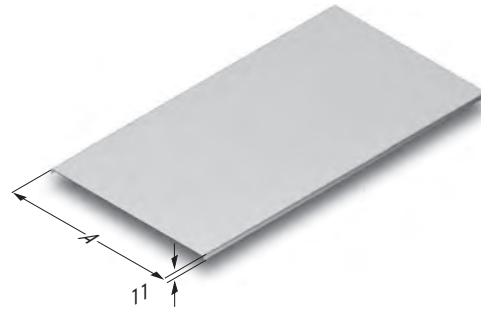
■ PG= Pre-Galvanized

■ HDG= Hot Dip Galvanized

►► BEND COVER

► UKE TO Centre Descent Bend Cover Pre-Galvanized (TS EN 10346 - TS EN 10143)

Description	H (mm)	A (mm)	T (mm)	Weight (kg/pcs)	PG Code
040 UKE 50 TO COVER	40	50	1,2	0,106	3008339
040 UKE 100 TO COVER	40	100	1,2	0,177	3008338
040 UKE 150 TO COVER	40	150	1,2	0,249	3008337
040 UKE 200 TO COVER	40	200	1,2	0,321	3008336
040 UKE 250 TO COVER	40	250	1,2	0,392	3008335
040 UKE 300 TO COVER	40	300	1,2	0,464	3008334
040 UKE 400 TO COVER	40	400	1,2	0,607	3008333
040 UKE 500 TO COVER	40	500	1,2	0,750	3008332
040 UKE 600 TO COVER	40	600	1,2	0,893	3001733
050 UKE 50 TO COVER	50	50	1,2	0,104	3300024
050 UKE 100 TO COVER	50	100	1,2	0,175	3300025
050 UKE 150 TO COVER	50	150	1,2	0,246	3300026
050 UKE 200 TO COVER	50	200	1,2	0,316	3300027
050 UKE 250 TO COVER	50	250	1,2	0,387	3300028
050 UKE 300 TO COVER	50	300	1,2	0,458	3300029
050 UKE 400 TO COVER	50	400	1,2	0,599	3300030
050 UKE 500 TO COVER	50	500	1,2	0,740	3300031
050 UKE 600 TO COVER	50	600	1,2	0,882	3300032
060 UKE 50 TO COVER	60	50	1,2	0,120	3005356
060 UKE 100 TO COVER	60	100	1,2	0,201	3005355
060 UKE 150 TO COVER	60	150	1,2	0,282	3005354
060 UKE 200 TO COVER	60	200	1,2	0,363	3005353
060 UKE 250 TO COVER	60	250	1,2	0,444	3005352
060 UKE 300 TO COVER	60	300	1,2	0,525	3005351
060 UKE 400 TO COVER	60	400	1,2	0,687	3005350
060 UKE 500 TO COVER	60	500	1,2	0,849	3005349
060 UKE 600 TO COVER	60	600	1,2	1,011	3001734
075 UKE 100 TO COVER	75	100	1,2	0,204	3300033
075 UKE 150 TO COVER	75	150	1,2	0,287	3300034
075 UKE 200 TO COVER	75	200	1,2	0,369	3300035
075 UKE 250 TO COVER	75	250	1,2	0,451	3300036
075 UKE 300 TO COVER	75	300	1,2	0,534	3300037
075 UKE 400 TO COVER	75	400	1,2	0,699	3300038
075 UKE 500 TO COVER	75	500	1,2	0,864	3300039
075 UKE 600 TO COVER	75	600	1,2	1,028	3300040
100 UKE 100 TO COVER	100	100	1,2	0,233	3300041
100 UKE 150 TO COVER	100	150	1,2	0,328	3300042
100 UKE 200 TO COVER	100	200	1,2	0,422	3300043
100 UKE 250 TO COVER	100	250	1,2	0,516	3300044
100 UKE 300 TO COVER	100	300	1,2	0,610	3300045
100 UKE 400 TO COVER	100	400	1,2	0,799	3300046
100 UKE 500 TO COVER	100	500	1,2	0,987	3300047
100 UKE 600 TO COVER	100	600	1,2	1,175	3300048



- Please contact your representative for inquiries regarding stainless steel alternatives.
- Please indicate order code in your orders.
- Please contact us for special dimensions.
- Material weights may vary by ± 10%

■ All dimensions are given as in mm


- PG= Pre-Galvanized
- HDG= Hot Dip Galvanized

▶▶ PROJECT DESIGN FORM

Component List	Component	Quantity
Item		

Company:
Project:
Project No:

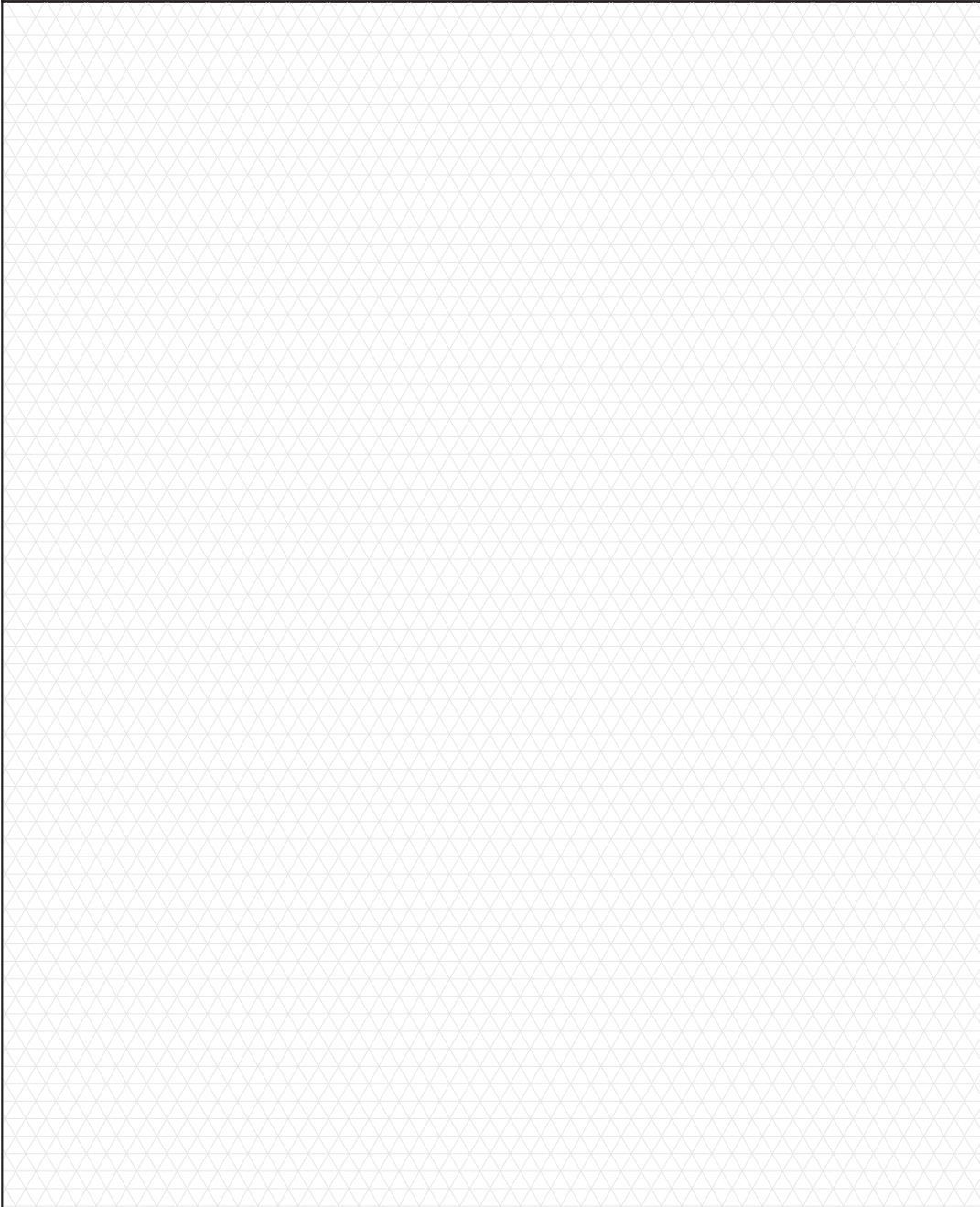

Name :
Date :
Signature :
Prepared by



Please duplicate this page for your own use.

UK

▶▶ PROJECT DESIGN FORM

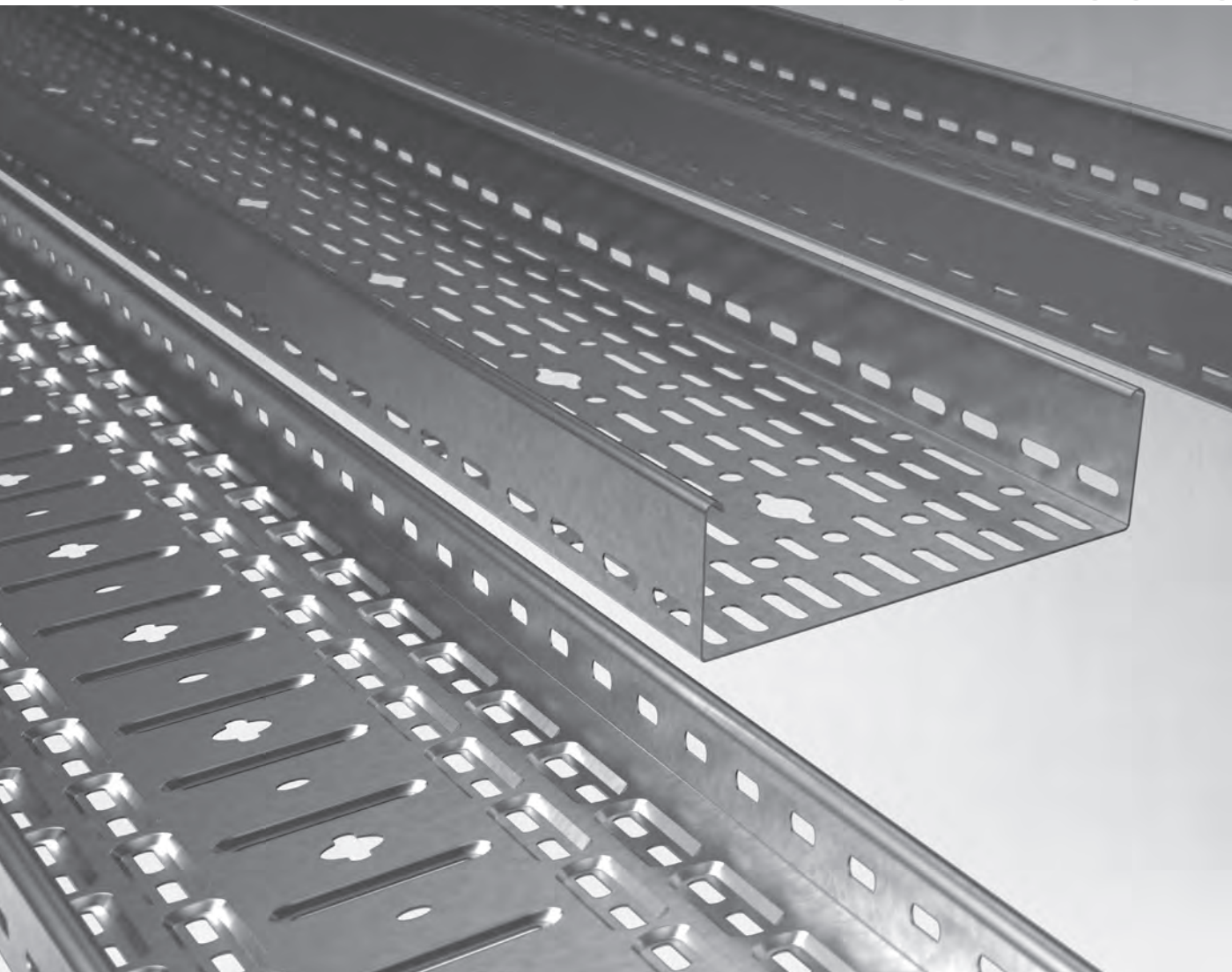
Component List	Item	Component	Quantity		
				Company: Project: Project No:	Name : Date : Signature : Prepared by
					

Please duplicate this page for your own use.



E-LINE CT

CABLE TRAY SYSTEMS



CT

E-LINE CT

Please visit our website for the updated version of our catalogues.
www.eaeelectric.com



CONTENTS

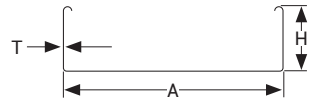
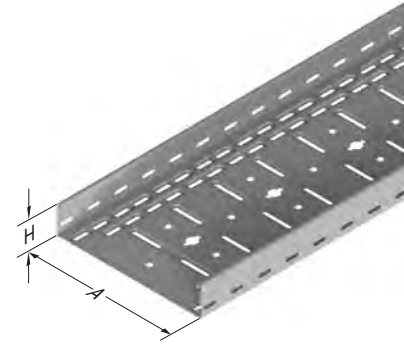
CT

▶▶ E-LINE CT

Cable Tray	2-6
CTE Tray Cover, Joint Fitting	7-9
Cable Tray Deflection Values	10-11
CTE Omega Clamp	12
Cable Tray Modules	13-20
Bend Covers	21-24
Bends	25-38
Bend Cover	39-45
CTE Adjustable Vertical Inside Bend	46
CTE Expansion Set, CTE Notched Joint Fitting	47
CTE Flexible Bend, CTE Flexible Bend Cover	48
CTE Add-On Tee	49
CTE Level Adaptation Bend	50
CTE Level Adaptation Cover, CTE Add-On Tee Cover	51
CTE Blind End	52
CTE Level Adaptation Joint Set, CTE SDE Bend Protection Plate	53
CTE Reduction Fitting	54-55

Description	H (mm)	A (mm)	T=0,7		T=0,8		T=0,9		T=1		T=1,2	
			Weight (kg/m)	HDG Code	Weight (kg/m)	HDG Code	Weight (kg/m)	HDG Code	Weight (kg/m)	HDG Code	Weight (kg/m)	HDG Code
040 CTHF-E 100	40	100	1,111	3109046	1,269	3127183	-	-	-	-	-	-
040 CTHF-E 200	40	200	1,637	3109047	1,871	3127184	-	-	-	-	-	-
040 CTHF-E 300	40	300	2,234	3109048	-	-	-	-	3,192	3127185	-	-
040 CTHF-E 400	40	400	-	-	-	-	3,578	3125791	3,976	3127186	-	-
040 CTHF-E 500	40	500	-	-	-	-	4,309	3125792	-	-	5,747	3127187
040 CTHF-E 600	40	600	-	-	-	-	5,053	3125793	-	-	6,737	3127188
050 CTHF-E 100	50	100	1,229	3109049	1,426	3127189	-	-	-	-	-	-
050 CTHF-E 200	50	200	1,754	3109050	2,009	3127190	-	-	-	-	-	-
050 CTHF-E 300	50	300	2,324	3109051	-	-	-	-	3,328	3127191	-	-
050 CTHF-E 400	50	400	-	-	-	-	3,717	3109052	4,149	3127192	-	-
050 CTHF-E 500	50	500	-	-	-	-	4,447	3109053	-	-	5,954	3127193
050 CTHF-E 600	50	600	-	-	-	-	5,188	3109054	-	-	6,944	3127194
060 CTHF-E 100	60	100	1,415	3109055	1,618	3127195	-	-	-	-	-	-
060 CTHF-E 200	60	200	1,879	3109056	2,147	3127196	-	-	-	-	-	-
060 CTHF-E 300	60	300	2,450	3109057	-	-	-	-	3,500	3127197	-	-
060 CTHF-E 400	60	400	-	-	-	-	3,889	3109058	4,321	3127198	-	-
060 CTHF-E 500	60	500	-	-	-	-	4,621	3109059	-	-	6,161	3127199
060 CTHF-E 600	60	600	-	-	-	-	5,363	3109060	-	-	7,151	3127200

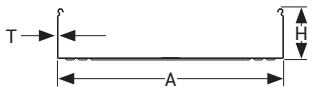
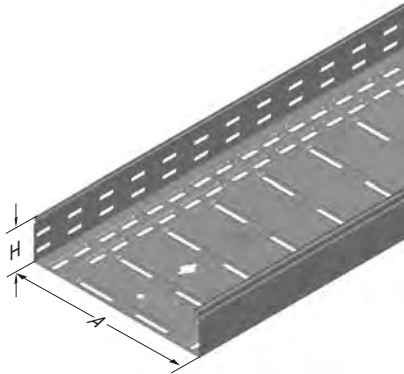
■ CTE covers should be used for H40, H50, H60 CTHF-E cable trays (See CTE Section, Page: 7)



Description	H (mm)	A (mm)	T=0,7		T=0,8		T=0,9		T=1		T=1,2	
			Weight (kg/m)	HDG Code	Weight (kg/m)	HDG Code	Weight (kg/m)	HDG Code	Weight (kg/m)	HDG Code	Weight (kg/m)	HDG Code
075 CTHF-E 100	75	100	1,496	3299944	-	-	-	-	-	-	-	-
075 CTHF-E 200	75	200	2,017	3299945	-	-	-	-	-	-	-	-
075 CTHF-E 300	75	300	2,591	3299946	-	-	-	-	-	-	-	-
075 CTHF-E 400	75	400	-	-	-	-	4,060	3299947	-	-	-	-
075 CTHF-E 500	75	500	-	-	-	-	4,789	3299948	-	-	-	-
075 CTHF-E 600	75	600	-	-	-	-	5,530	3299949	-	-	-	-
100 CTHF-E 100	100	100	1,761	3299950	-	-	-	-	-	-	-	-
100 CTHF-E 200	100	200	2,283	3299951	-	-	-	-	-	-	-	-
100 CTHF-E 300	100	300	2,856	3299952	-	-	-	-	-	-	-	-
100 CTHF-E 400	100	400	-	-	-	-	4,401	3299953	-	-	-	-
100 CTHF-E 500	100	500	-	-	-	-	5,131	3299954	-	-	-	-
100 CTHF-E 600	100	600	-	-	-	-	5,872	3299955	-	-	-	-

■ CTK covers should be used for H75, H100 CTHF-E cable trays.

■ CTK "L" type connection element should be used for H75, H100 CTHF-E cable trays (See CTK Section, Page: 8)



Açıklama	A (mm)	T=0,8		T=1		T=1,2		T=1,5		T=2	
		Ağırlık (kg/m)	HDG Kodu	Ağırlık (kg/m)	HDG Kodu	Ağırlık (kg/m)	HDG Kodu	Ağırlık (kg/m)	HDG Kodu	Ağırlık (kg/m)	HDG Kodu
CTK 100 KANAL KAPAK	100	0,911	2198835	1,139	2086385	1,367	2198844	1,709	2002190	2,279	2198850
CTK 200 KANAL KAPAK	200	1,603	2198836	2,004	2069248	2,404	2198845	3,005	2002192	4,007	2198851
CTK 300 KANAL KAPAK	300	2,293	2198837	2,866	2084804	3,440	2198846	4,299	2002194	5,733	2198852
CTK 400 KANAL KAPAK	400	2,984	2198838	3,731	2198841	4,477	2198847	5,596	2144621	7,461	2002195
CTK 500 KANAL KAPAK	500	3,675	2198839	4,593	2198842	5,512	2198848	6,890	2144622	9,187	2002196
CTK 600 KANAL KAPAK	600	4,366	2198840	5,458	2198843	6,549	2198849	8,186	2144623	10,915	2002197



■ Standard length of tray is 3000mm.

■ Please contact us for special dimensions.

■ Material weights may vary by $\pm 10\%$

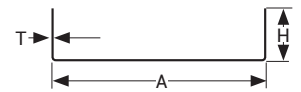
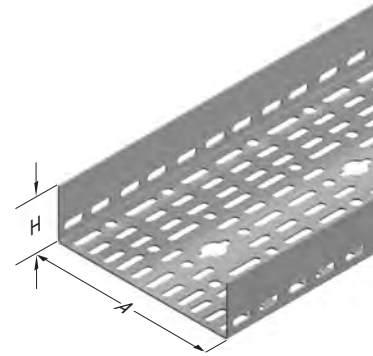
■ Please indicate order code in your orders.

■ All dimensions are given as in mm

■ PG= Pre-Galvanized

■ HDG= Hot Dip Galvanized

Description	H (mm)	A (mm)	T=0,8		T=1		T=1,2		T=1,5		T=2	
			Weight (kg/m)	HDG Code	Weight (kg/m)	HDG Code	Weight (kg/m)	HDG Code	Weight (kg/m)	HDG Code	Weight (kg/m)	HDG Code
040 CTN-E 050	40	50	0,733	3305370	0,916	3250200	1,099	3250210	1,336	3250226	1,767	3250252
040 CTN-E 100	40	100	0,946	3305371	1,183	3250201	1,420	3250211	1,726	3250227	2,284	3250253
040 CTN-E 150	40	150	1,221	3305372	1,527	3250202	1,832	3250212	2,228	3250228	2,954	3250254
040 CTN-E 200	40	200	1,420	3305373	1,775	3250203	2,131	3250213	2,592	3250229	3,438	3250255
040 CTN-E 250	40	250	-	-	-	-	2,543	3250214	3,092	3250230	4,107	3250256
040 CTN-E 300	40	300	-	-	-	-	2,842	3250215	3,456	3250231	4,591	3250257
040 CTN-E 400	40	400	-	-	-	-	-	-	4,322	3250232	5,745	3250258
040 CTN-E 500	40	500	-	-	-	-	-	-	5,186	3250233	6,898	3250259
040 CTN-E 600	40	600	-	-	-	-	-	-	6,052	3250234	8,052	3250260
050 CTN-E 050	50	50	0,878	3305374	1,098	3305601	1,228	3305604	1,576	3250235	2,101	3250261
050 CTN-E 100	50	100	1,105	3305375	1,382	3250204	1,648	3250216	1,990	3250236	2,638	3250262
050 CTN-E 150	50	150	1,373	3305376	1,716	3250205	2,060	3250217	2,492	3250237	3,306	3250263
050 CTN-E 200	50	200	1,580	3305377	1,975	3250206	2,360	3250218	2,856	3250238	3,791	3250264
050 CTN-E 250	50	250	-	-	-	-	2,771	3250219	3,357	3250239	4,460	3250265
050 CTN-E 300	50	300	-	-	-	-	3,070	3250220	3,720	3250240	4,944	3250266
050 CTN-E 400	50	400	-	-	-	-	-	-	4,586	3250241	6,098	3250267
050 CTN-E 500	50	500	-	-	-	-	-	-	5,451	3250242	7,251	3250268
050 CTN-E 600	50	600	-	-	-	-	-	-	6,316	3250243	8,405	3250269
060 CTN-E 050	60	50	0,988	3359028	1,235	3359029	1,482	3359030	1,828	3359031	2,454	3359032
060 CTN-E 100	60	100	1,243	3305378	1,554	3250207	1,855	3250221	2,243	3250244	2,974	3250270
060 CTN-E 150	60	150	1,518	3305379	1,898	3250208	2,267	3250222	2,743	3250245	3,642	3250271
060 CTN-E 200	60	200	1,718	3305380	2,147	3250209	2,566	3250223	3,107	3250246	4,127	3250272
060 CTN-E 250	60	250	-	-	-	-	2,979	3250224	3,609	3250247	4,796	3250273
060 CTN-E 300	60	300	-	-	-	-	3,278	3250225	3,973	3250248	5,280	3250274
060 CTN-E 400	60	400	-	-	-	-	-	-	4,837	3250249	6,434	3250275
060 CTN-E 500	60	500	-	-	-	-	-	-	5,703	3250250	7,587	3250276
060 CTN-E 600	60	600	-	-	-	-	-	-	6,568	3250251	8,741	3250277



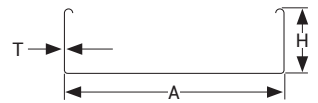
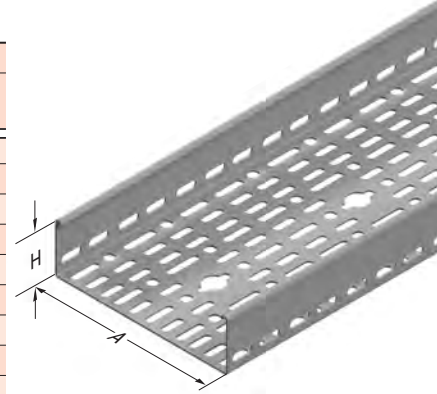
CT

- Standard length of tray is 3000mm.
- Please contact us for special dimensions.
- Material weights may vary by ± 10%

- Please indicate order code in your orders.
- All dimensions are given as in mm

- PG= Pre-Galvanized
- HDG= Hot Dip Galvanized

Description	H (mm)	A (mm)	T=0,8		T=1		T=1,2		T=1,5		T=2	
			Weight (kg/m)	HDG Code	Weight (kg/m)	HDG Code	Weight (kg/m)	HDG Code	Weight (kg/m)	HDG Code	Weight (kg/m)	HDG Code
040 CTE 050	40	50	0,850	3240854	1,063	3240858	1,279	3299942	1,596	3240686	2,082	3240728
040 CTE 100	40	100	1,071	3240855	1,398	3240859	1,647	3240864	1,986	3240687	2,601	3240729
040 CTE 150	40	150	1,339	3240856	1,741	3240860	2,059	3240865	2,488	3240688	3,270	3240730
040 CTE 200	40	200	1,539	3240857	1,991	3240861	2,358	3240866	2,852	3240689	3,755	3240731
040 CTE 250	40	250	-	-	2,334	3240862	2,771	3240867	3,352	3240690	4,423	3240732
040 CTE 300	40	300	-	-	2,584	3240863	3,070	3240868	3,716	3240691	4,908	3240733
040 CTE 400	40	400	-	-	-	-	-	-	4,582	3240692	6,062	3240734
040 CTE 500	40	500	-	-	-	-	-	-	5,446	3240693	7,215	3240735
040 CTE 600	40	600	-	-	-	-	-	-	6,312	3240694	8,368	3240736
050 CTE 050	50	50	0,988	3240869	1,235	3240873	1,486	3299943	1,849	3240695	2,418	3240737
050 CTE 100	50	100	1,202	3240870	1,571	3240874	1,855	3240879	2,238	3240696	2,937	3240738
050 CTE 150	50	150	1,477	3240871	1,914	3240875	2,266	3240880	2,739	3240697	3,606	3240739
050 CTE 200	50	200	1,676	3240872	2,164	3240876	2,565	3240881	3,103	3240698	4,091	3240740
050 CTE 250	50	250	-	-	2,507	3240877	2,978	3240882	3,605	3240699	4,759	3240741
050 CTE 300	50	300	-	-	2,757	3240878	3,277	3240883	3,969	3240700	5,244	3240742
050 CTE 400	50	400	-	-	-	-	-	-	4,833	3240701	6,398	3240743
050 CTE 500	50	500	-	-	-	-	-	-	5,699	3240702	7,551	3240744
050 CTE 600	50	600	-	-	-	-	-	-	6,563	3240703	8,704	3240745
060 CTE 050	60	50	1,097	3359033	1,372	3281533	1,648	3359034	2,085	3359035	2,796	3359036
060 CTE 100	60	100	1,340	3240884	1,744	3240887	2,061	3240892	2,490	3240704	3,273	3240746
060 CTE 150	60	150	1,615	3240885	2,087	3240888	2,474	3240893	2,992	3240705	3,942	3240747
060 CTE 200	60	200	1,814	3240886	2,336	3240889	2,773	3240894	3,356	3240706	4,427	3240748
060 CTE 250	60	250	-	-	2,680	3240890	3,186	3240895	3,856	3240707	5,095	3240749
060 CTE 300	60	300	-	-	2,929	3240891	3,485	3240896	4,220	3240708	5,580	3240750
060 CTE 400	60	400	-	-	-	-	-	-	5,086	3240709	6,734	3240751
060 CTE 500	60	500	-	-	-	-	-	-	5,950	3240710	7,887	3240752
060 CTE 600	60	600	-	-	-	-	-	-	6,816	3240711	9,040	3240753
075 CTE 100	75	100	-	-	1,898	3323783	2,267	3323773	2,739	3240712	3,606	3240754
075 CTE 150	75	150	-	-	2,242	3323784	2,680	3323774	3,369	3240713	4,274	3240755
075 CTE 200	75	200	-	-	2,490	3323785	2,979	3323775	3,605	3240714	4,759	3240756
075 CTE 250	75	250	-	-	2,835	3323786	3,391	3323776	4,234	3240715	5,427	3240757
075 CTE 300	75	300	-	-	3,083	3323787	3,691	3323777	4,469	3240716	5,913	3240758
075 CTE 400	75	400	-	-	-	-	-	-	5,335	3240717	7,066	3240759
075 CTE 500	75	500	-	-	-	-	-	-	6,200	3240718	8,220	3240760
075 CTE 600	75	600	-	-	-	-	-	-	7,065	3240719	9,373	3240761
100 CTE 100	100	100	-	-	2,224	3323788	2,669	3323778	3,241	3240720	4,274	3240762
100 CTE 150	100	150	-	-	2,585	3323789	3,102	3323779	4,000	3240721	4,713	3240763
100 CTE 200	100	200	-	-	2,835	3323790	3,401	3323780	4,106	3240722	5,427	3240764
100 CTE 250	100	250	-	-	3,178	3323791	3,803	3323781	4,864	3240723	6,096	3240765
100 CTE 300	100	300	-	-	3,428	3323792	4,102	3323782	4,971	3240724	6,581	3240766
100 CTE 400	100	400	-	-	-	-	-	-	5,836	3240725	7,734	3240767
100 CTE 500	100	500	-	-	-	-	-	-	6,701	3240726	8,887	3240768
100 CTE 600	100	600	-	-	-	-	-	-	7,566	3240727	10,041	3240769



Kanal modül montajı için gerekli civata adetleri;

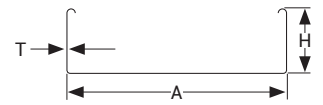
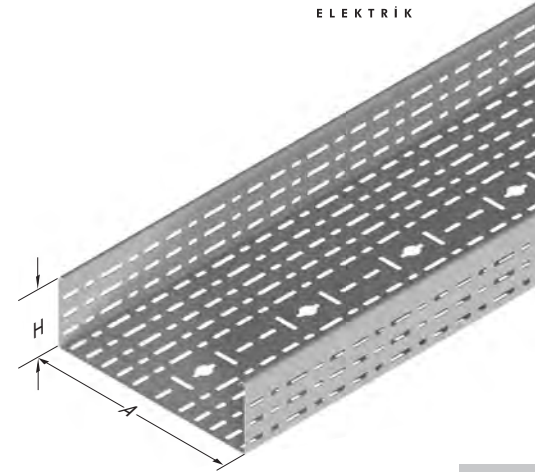
- H40 kanal modül montajı için 4 adet M6x12 civata takımı.
- H50 kanal modül montajı için 4 adet M6x12 civata takımı.
- H60 kanal modül montajı için 4 adet M6x12 civata takımı.
- H75 kanal modül montajı için 8 adet M6x12 civata takımı.
- H100 kanal modül montajı için 8 adet M6x12 civata takımı.
- H125 kanal modül montajı için 16 adet M6x12 civata takımı.
- H150 kanal modül montajı için 16 adet M6x12 civata takımı.

- Standard length of tray is 3000mm.
- Please contact us for special dimensions.
- Material weights may vary by $\pm 10\%$

- Please indicate order code in your orders.
- All dimensions are given as in mm

- PG= Pre-Galvanized
- HDG= Hot Dip Galvanized

Description	H (mm)	A (mm)	T=1,5	
			Weight (kg/m)	HDG Code
125 CTH 150	125	150	4,583	3003130
125 CTH 200	125	200	5,203	3003131
125 CTH 250	125	250	5,741	3003132
125 CTH 300	125	300	6,382	3003133
125 CTH 400	125	400	7,575	3003134
125 CTH 500	125	500	8,813	3003135
125 CTH 600	125	600	10,051	3003136
150 CTH 200	150	200	5,644	3003137
150 CTH 250	150	250	6,313	3003138
150 CTH 300	150	300	6,922	3003139
150 CTH 400	150	400	8,216	3003140
150 CTH 500	150	500	9,561	3003141
150 CTH 600	150	600	10,902	3003142



CT

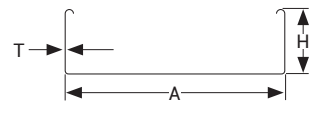
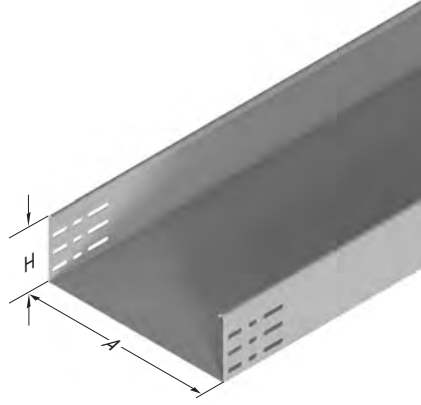
Description	H (mm)	A (mm)	T=2	
			Weight (kg/m)	HDG Code
125 CTA 150	125	150	6,086	3003156
125 CTA 200	125	200	6,794	3003157
125 CTA 250	125	250	7,502	3003158
125 CTA 300	125	300	8,210	3003159
125 CTA 400	125	400	9,636	3003160
125 CTA 500	125	500	11,037	3003161
125 CTA 600	125	600	12,453	3003162
150 CTA 200	150	200	7,501	3003163
150 CTA 250	150	250	8,209	3003164
150 CTA 300	150	300	8,918	3003165
150 CTA 400	150	400	10,344	3003166
150 CTA 500	150	500	11,745	3003167
150 CTA 600	150	600	13,160	3007921

- Standard length of tray is 3000mm.
- Please contact us for special dimensions.
- Material weights may vary by ± 10%

- Please indicate order code in your orders.
- All dimensions are given as in mm

- PG= Pre-Galvanized
- HDG= Hot Dip Galvanized

Description	H (mm)	A (mm)	T=0,8		T=1		T=1,2		T=1,5		T=2	
			Weight (kg/m)	HDG Code	Weight (kg/m)	HDG Code	Weight (kg/m)	HDG Code	Weight (kg/m)	HDG Code	Weight (kg/m)	HDG Code
040 CTD 050	40	50	0,959	3305351	1,209	3001243	1,445	3001253	1,835	3001269	2,458	3001311
040 CTD 100	40	100	1,306	3305352	1,640	3001244	1,963	3001254	2,482	3001270	3,321	3001312
040 CTD 150	40	150	1,650	3305353	2,072	3001245	2,481	3001255	3,143	3001271	4,185	3001313
040 CTD 200	40	200	1,995	3305354	2,504	3001246	2,999	3001256	3,817	3001272	5,066	3001314
040 CTD 250	40	250	-	-	2,971	3305480	3,517	3001257	4,464	3001273	5,929	3001315
040 CTD 300	40	300	-	-	3,351	3305481	4,036	3001258	5,112	3001274	6,793	3001316
040 CTD 400	40	400	-	-	-	-	-	-	6,407	3001275	8,520	3001317
040 CTD 500	40	500	-	-	-	-	-	-	7,702	3001276	10,247	3001318
040 CTD 600	40	600	-	-	-	-	-	-	8,998	3001277	11,974	3001319
050 CTD 050	50	50	1,097	3305355	1,365	3194813	1,754	3197816	2,068	3001278	2,769	3001320
050 CTD 100	50	100	1,595	3305356	1,813	3001247	2,170	3001259	2,754	3001279	3,667	3001321
050 CTD 150	50	150	1,976	3305357	2,245	3001248	2,688	3001260	3,402	3001280	4,547	3001322
050 CTD 200	50	200	2,356	3305358	2,677	3001249	3,207	3001261	4,076	3001281	5,411	3001323
050 CTD 250	50	250	-	-	3,144	3305482	3,746	3001262	4,723	3001282	6,274	3001324
050 CTD 300	50	300	-	-	3,575	3305483	4,243	3001263	5,371	3001283	7,138	3001325
050 CTD 400	50	400	-	-	-	-	-	-	6,666	3001284	8,865	3001326
050 CTD 500	50	500	-	-	-	-	-	-	7,961	3001285	10,592	3001327
050 CTD 600	50	600	-	-	-	-	-	-	9,257	3001286	12,319	3001328
060 CTD 050	60	50	1,196	3359037	1,495	3359038	1,794	3359039	2,268	3359040	3,041	3359041
060 CTD 100	60	100	1,748	3305359	1,986	3001250	2,377	3001264	2,980	3001287	4,012	3001329
060 CTD 150	60	150	2,128	3305360	2,418	3001251	2,896	3001265	3,661	3001288	4,876	3001330
060 CTD 200	60	200	2,507	3305361	2,849	3001252	3,414	3001266	4,335	3001289	5,755	3001331
060 CTD 250	60	250	-	-	3,317	3305484	3,932	3001267	4,982	3001290	6,823	3001332
060 CTD 300	60	300	-	-	3,678	3305485	4,450	3001268	5,630	3001291	7,483	3001333
060 CTD 400	60	400	-	-	-	-	-	-	6,925	3001292	9,210	3001334
060 CTD 500	60	500	-	-	-	-	-	-	8,220	3001293	10,937	3001335
060 CTD 600	60	600	-	-	-	-	-	-	9,516	3001294	12,664	3001336
075 CTD 100	75	100	-	-	2,263	3323823	2,705	3323813	3,394	3001295	4,536	3001337
075 CTD 150	75	150	-	-	2,695	3323824	3,223	3323814	4,067	3001296	5,400	3001338
075 CTD 200	75	200	-	-	3,126	3323825	3,741	3323815	4,715	3001297	6,263	3001339
075 CTD 250	75	250	-	-	3,559	3323826	4,259	3323816	5,362	3001298	7,127	3001340
075 CTD 300	75	300	-	-	3,990	3323827	4,777	3323817	6,010	3001299	7,990	3001341
075 CTD 400	75	400	-	-	-	-	-	-	7,305	3001300	9,717	3001342
075 CTD 500	75	500	-	-	-	-	-	-	8,601	3001301	11,444	3001343
075 CTD 600	75	600	-	-	-	-	-	-	9,896	3001302	13,171	3001344
100 CTD 100	100	100	-	-	2,677	3323828	3,203	3323818	4,059	3001303	5,371	3001345
100 CTD 150	100	150	-	-	3,110	3323829	3,721	3323819	4,706	3001304	6,248	3001346
100 CTD 200	100	200	-	-	3,541	3323830	4,239	3323820	5,354	3001305	7,115	3001347
100 CTD 250	100	250	-	-	3,973	3323831	4,758	3323821	6,001	3001306	7,979	3001348
100 CTD 300	100	300	-	-	4,404	3323832	5,276	3323822	6,649	3001307	8,842	3001349
100 CTD 400	100	400	-	-	-	-	-	-	7,944	3001308	10,569	3001350
100 CTD 500	100	500	-	-	-	-	-	-	9,240	3001309	12,296	3001351
100 CTD 600	100	600	-	-	-	-	-	-	10,535	3001310	14,023	3001352
125 CTD 150	125	150	-	-	-	-	-	-	5,200	3003143	7,014	3003168
125 CTD 200	125	200	-	-	-	-	-	-	5,908	3003144	7,877	3003169
125 CTD 250	125	250	-	-	-	-	-	-	6,555	3003145	8,741	3003170
125 CTD 300	125	300	-	-	-	-	-	-	7,203	3003146	9,604	3003171
125 CTD 400	125	400	-	-	-	-	-	-	8,499	3003147	11,331	3003172
125 CTD 500	125	500	-	-	-	-	-	-	9,793	3003148	13,058	3003173
125 CTD 600	125	600	-	-	-	-	-	-	11,089	3003149	14,785	3003174
150 CTD 200	150	200	-	-	-	-	-	-	6,530	3003150	8,707	3003175
150 CTD 250	150	250	-	-	-	-	-	-	7,178	3003151	9,570	3003176
150 CTD 300	150	300	-	-	-	-	-	-	7,825	3003152	10,434	3003177
150 CTD 400	150	400	-	-	-	-	-	-	9,120	3003153	12,161	3003178
150 CTD 500	150	500	-	-	-	-	-	-	10,416	3003154	13,888	3003179
150 CTD 600	150	600	-	-	-	-	-	-	11,711	3003155	15,615	3003180



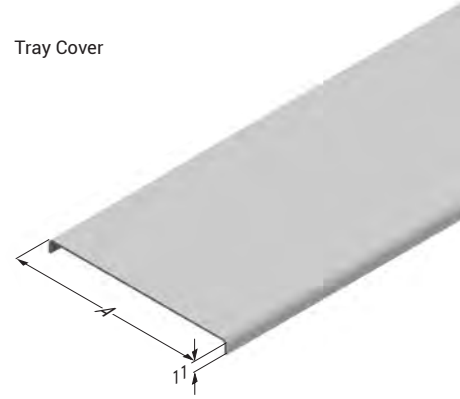
- Standard length of tray is 3000mm.
- Please contact us for special dimensions.
- Material weights may vary by ± 10%

- Please indicate order code in your orders.
- All dimensions are given as in mm

- PG= Pre-Galvanized
- HDG= Hot Dip Galvanized

Description	A (mm)	T=0,8		T=1		T=1,2		T= 1,5		T= 2	
		Weight (kg/m)	HDG Code	Weight (kg/m)	HDG Code	Weight (kg/m)	HDG Code	Weight (kg/m)	HDG Code	Weight (kg/m)	HDG Code
CTE 050 COVER	55	0,498	3240955	0,624	3005426	0,748	3197817	0,938	3203667	1,250	3005458
CTE 100 COVER	105	0,851	3240956	1,059	3006907	1,270	3270643	1,602	3087651	2,118	3005698
CTE 150 COVER	155	1,197	3240957	1,492	3006905	1,792	3270644	2,240	3203669	2,985	3005696
CTE 200 COVER	205	1,542	3240958	1,927	3006903	2,312	3270645	2,905	3087650	3,853	3005694
CTE 250 COVER	255	-	-	2,371	3240959	2,832	3270647	3,541	3006901	4,721	3005692
CTE 300 COVER	305	-	-	2,891	3299283	3,353	3270648	4,191	3006899	5,589	3005690
CTE 400 COVER	405	-	-	3,681	3225909	4,416	3270649	5,493	3006897	7,325	3005688
CTE 500 COVER	505	-	-	-	-	5,436	3275580	6,795	3006895	9,061	3005686
CTE600 COVER	605	-	-	-	-	6,478	3275584	8,097	3006893	10,797	3005684

Tray Cover



► Bolted Cover Clamp

Hot Dip Galvanized (TS EN ISO 1461)

Description	H (mm)	T=3	
		Weight (kg/pcs)	HDG Code
BOLT COVER CLAMP H: 040	41	0,077	3290060
BOLT COVER CLAMP H: 050	51	0,085	3290061
BOLT COVER CLAMP H: 060	61	0,092	3290062
BOLT COVER CLAMP H: 075	76	0,103	3290063
BOLT COVER CLAMP H: 100	101	0,123	3290064
BOLT COVER CLAMP H: 125	126	0,143	3290065
BOLT COVER CLAMP H: 150	151	0,162	3290066



CT

► Cable Tray Cover Clamps

Paslanmaz Yay Çeliği (SS301)

Description	Weight (kg/pcs)	PG Code
040 COVER CLAMP (OUTWARD)	0,010	1004254
050 COVER CLAMP (OUTWARD)	0,013	1004184
060 COVER CLAMP (OUTWARD)	0,015	1004253
075 COVER CLAMP (OUTWARD)	0,019	1004183
100 COVER CLAMP (OUTWARD)	0,026	1004182
125 COVER CLAMP (OUTWARD)	0,035	1004180
150 COVER CLAMP (OUTWARD)	0,042	1004181



Spiked Structure



Cover Clamp (outward)
(Alkaline Lacquer Coated)

■ External cover clamps should not be used in outdoor applications.

■ Omega cover clamps must be used in outdoor applications. (See Page: 12)

► Cable Tray Joint Bolt & Nut Set

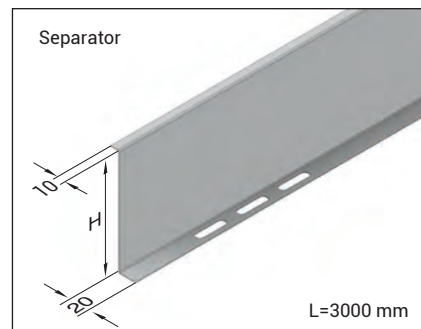
Description	Weight (kg/pcs)	PG Code
JOINT BOLT SET M6	0,009	1004314



► CTE Separator

Hot Dip Galvanized (TS EN ISO 1461)

Description	H (mm)	T (mm)	Weight (kg/m)	HDG Code
040 CTE Separator	35	0,8	0,416	3005834
050 CTE Separator	45	0,8	0,485	3006954
060 CTE Separator	55	0,8	0,540	3005833
075 CTE Separator	70	1	0,814	3006953
100 CTE Separator	95	1	1,047	3006952
125 CTE Separator	120	1	1,220	3003330
150 CTE Separator	145	1	1,478	3003331



- Standard length of tray is 3000mm.
- Please contact us for special dimensions.
- Material weights may vary by ± 10%

- Please indicate order code in your orders.
- All dimensions are given as in mm

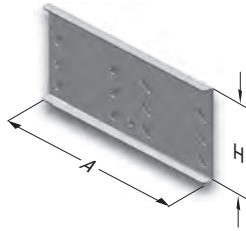
- PG= Pre-Galvanized
- HDG= Hot Dip Galvanized

►► CTE JOINT FITTINGS

► CTE Joint Fitting

Hot Dip Galvanized (TS EN ISO 1461)

Description	L (mm)	T (mm)	Weight (kg/pcs)	HDG Code
040 CTE JOINT FITTING	210	1	0,102	3240945
040 CTE JOINT FITTING	200	1,2	0,117	3127207
040 CTE JOINT FITTING	200	1,5	0,146	3006167
040 CTE JOINT FITTING	210	2	0,207	3006945
050 CTE JOINT FITTING	210	1	0,121	3240946
050 CTE JOINT FITTING	200	1,2	0,138	3127208
050 CTE JOINT FITTING	200	1,5	0,173	3006165
050 CTE JOINT FITTING	210	2	0,243	3006943
060 CTE JOINT FITTING	210	1	0,139	3240947
060 CTE JOINT FITTING	200	1,2	0,158	3127209
060 CTE JOINT FITTING	200	1,5	0,198	3006163
060 CTE JOINT FITTING	210	2	0,279	3006941
075 CTE JOINT FITTING	210	1	0,162	3292988
075 CTE JOINT FITTING	200	1,2	0,184	3292990
075 CTE JOINT FITTING	200	1,5	0,231	3006161
075 CTE JOINT FITTING	210	2	0,325	3006939
100 CTE JOINT FITTING	210	1	0,207	3293279
100 CTE JOINT FITTING	200	1,2	0,237	3293277
100 CTE JOINT FITTING	200	1,5	0,296	3006159
100 CTE JOINT FITTING	210	2	0,417	3006937
125 CTE JOINT FITTING	192	2	0,453	3003311
150 CTE JOINT FITTING	210	2	0,586	3003312



See next page for technical drawings.

► CTN-E Joint Fitting

Hot Dip Galvanized (TS EN ISO 1461)

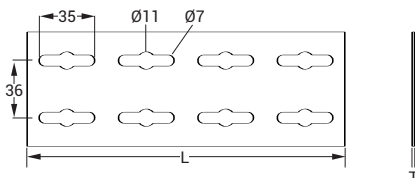
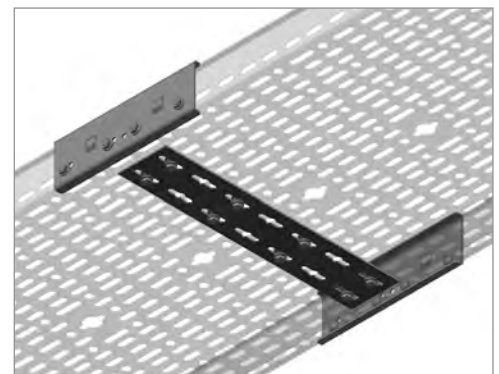
Description	H (mm)	T (mm)	Weight (kg/pcs)	HDG Code
CTN-E JOINT FITTING	40-50-60	1,5	0,146	3002182
CTN-E JOINT FITTING	40-50-60	2	0,191	3001965



► CT Fish Plate

Hot Dip Galvanized (TS EN ISO 1461)

Description	L (mm)	T=1,5		T=2	
		Weight (kg/pcs)	HDG Code	Weight (kg/pcs)	HDG Code
CT 100 Fish Plate	50	0,040	3264825	0,053	3264837
CT 150 Fish Plate	100	0,080	3264826	0,107	3264838
CT 200 Fish Plate	150	0,120	3264827	0,160	3264839
CT 250 Fish Plate	200	0,160	3264828	0,213	3264840
CT 300 Fish Plate	250	0,200	3264829	0,267	3264841
CT 400 Fish Plate	350	0,279	3264830	0,373	3264842
CT 500 Fish Plate	450	0,360	3264832	0,480	3264844
CT 600 Fish Plate	550	0,439	3264833	0,585	3264845

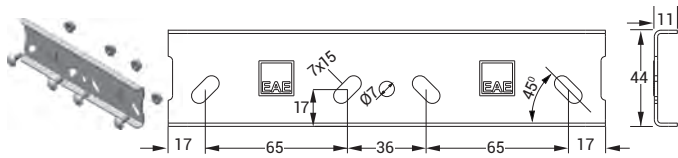


■ Please contact us for special dimensions.
 ■ Material weights may vary by ± 10%

■ Please indicate order code in your orders.
 ■ All dimensions are given as in mm

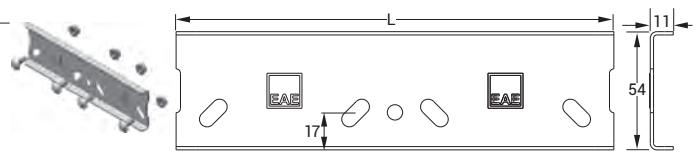
■ PG= Pre-Galvanized
 ■ HDG= Hot Dip Galvanized

40 CTE JOINT FITTING



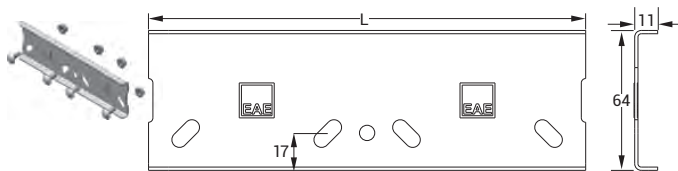
1 pcs H=40 joint;
4 M6x12 bolts should be used.

50 CTE JOINT FITTING



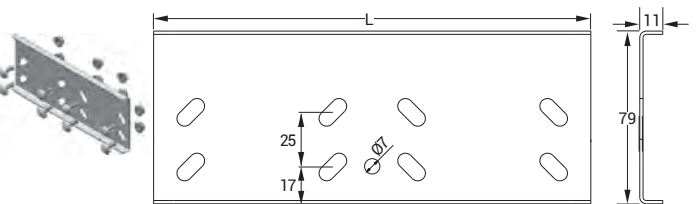
1 pcs H=50 Joint;
4 M6x12 bolts should be used.

60 CTE JOINT FITTING



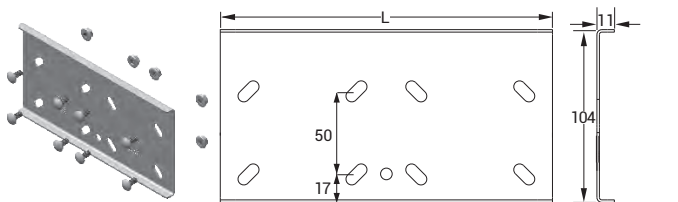
1 pcs H=60 Joint;
4 M6x12 bolts should be used.

75 CTE JOINT FITTING



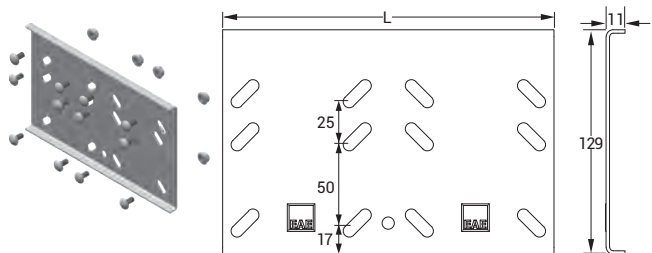
1 pcs H=75 Joint;
8 pcs M6x12 Bolts should be used.

100 CTE JOINT FITTING



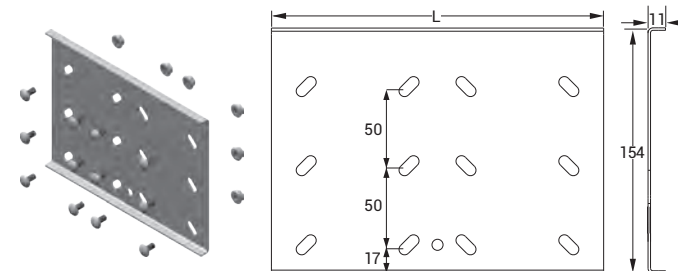
1 pcs H=100 Joint;
8 pcs M6x12 Bolts should be used.

125 CTE JOINT FITTING



1 pcs H=125 Joint;
12 pcs M6x12 Bolts should be used.

150 CTE JOINT FITTING

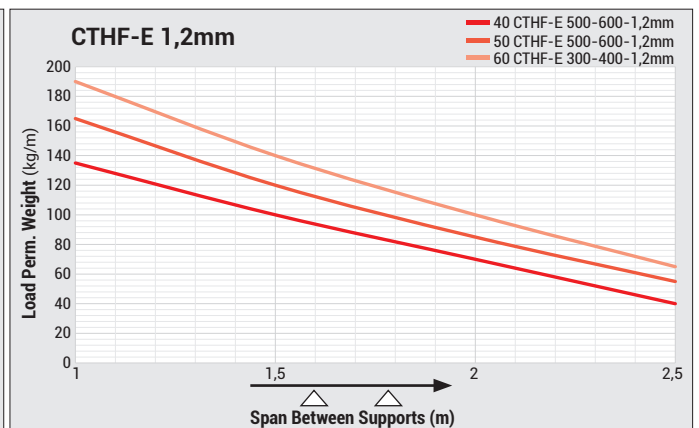
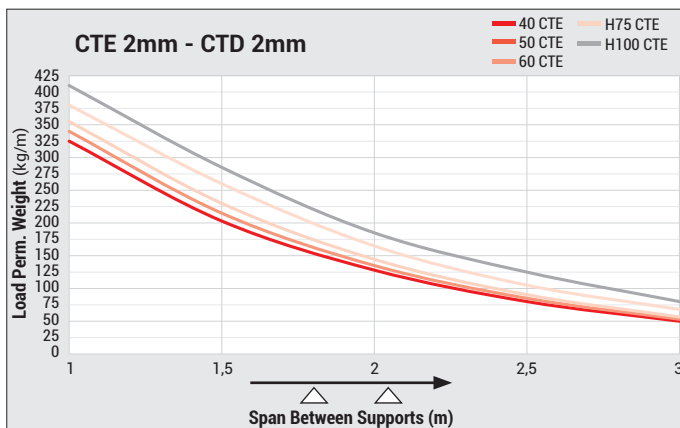
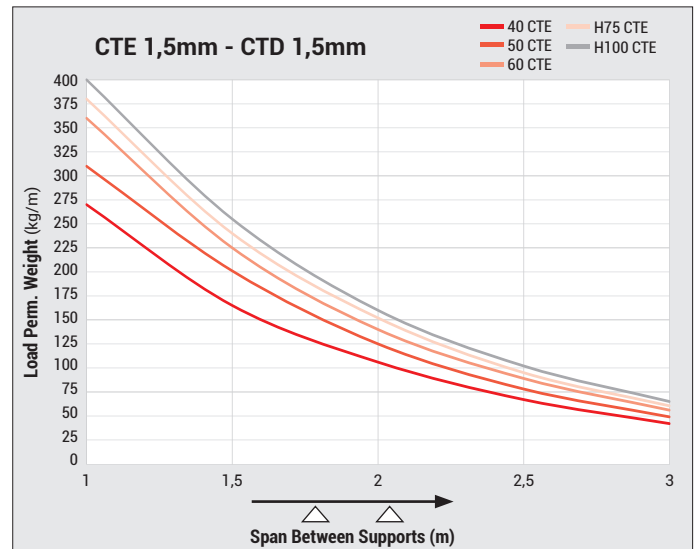
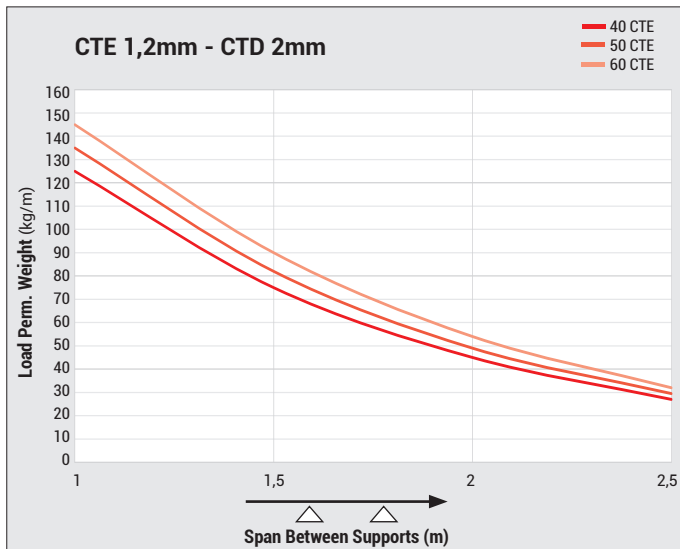
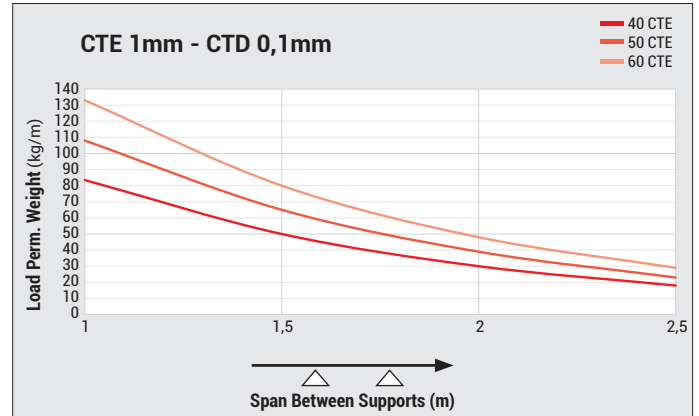
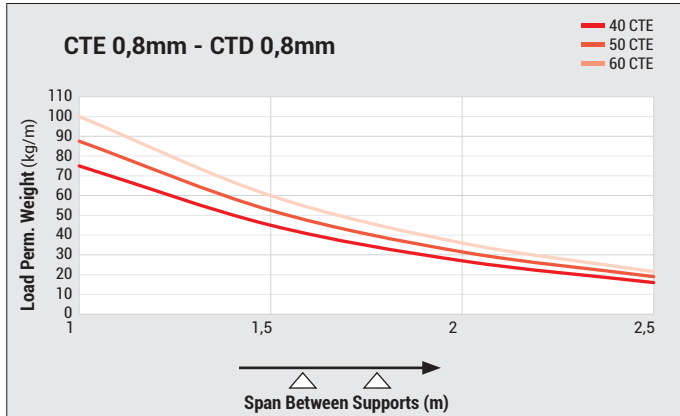


1 pcs H=150 Joint;
12 pcs M6x12 Bolts should be used.

■ Please contact us for special dimensions.
■ Material weights may vary by ± 10%

■ Please indicate order code in your orders.
■ All dimensions are given as in mm

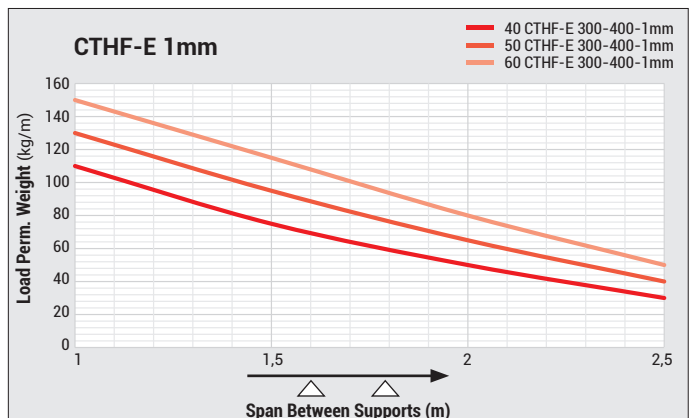
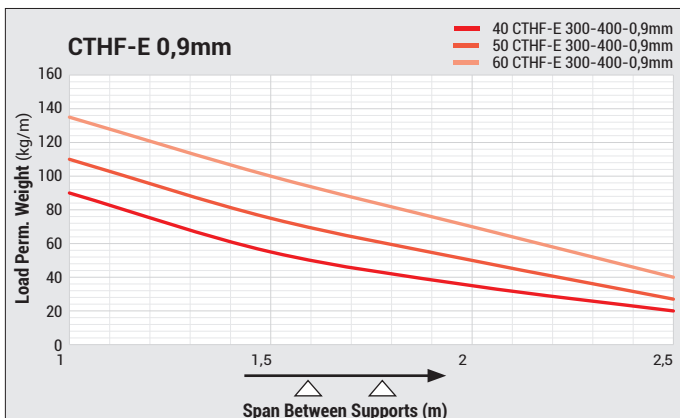
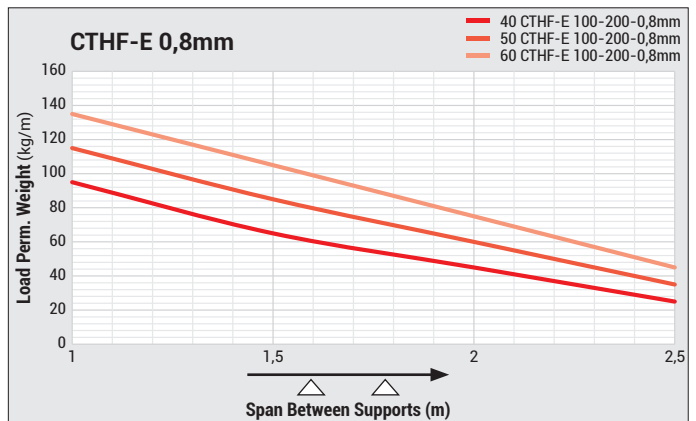
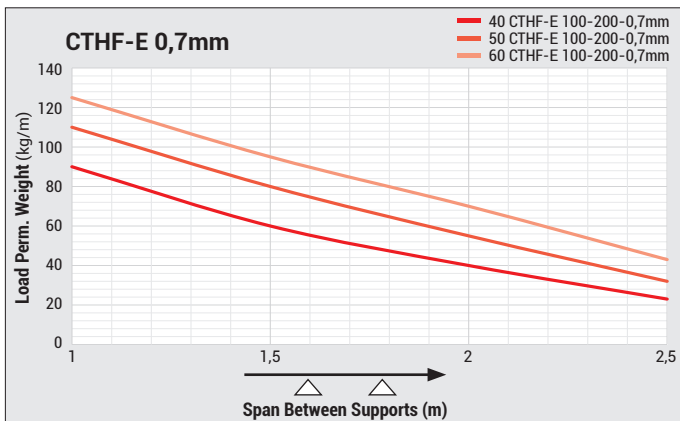
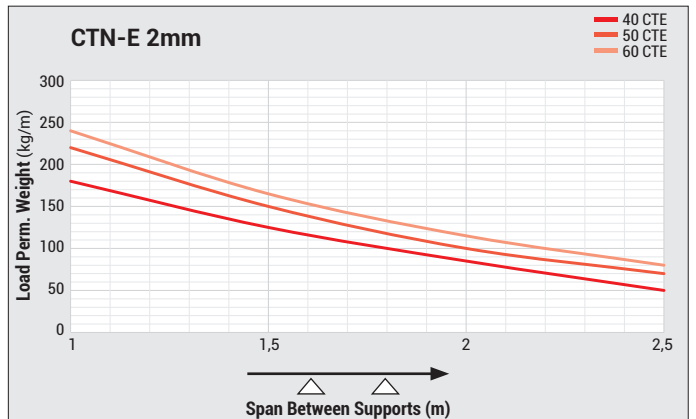
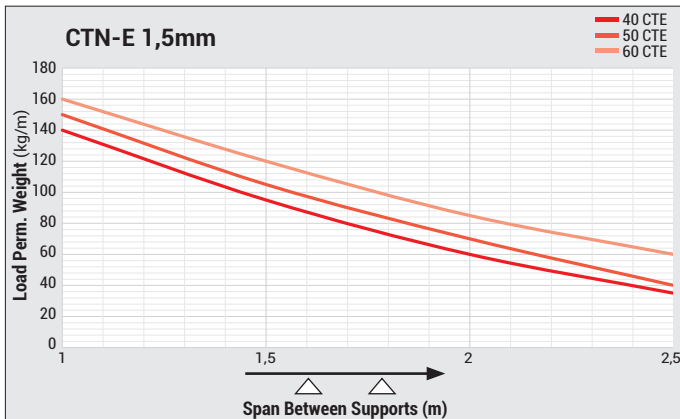
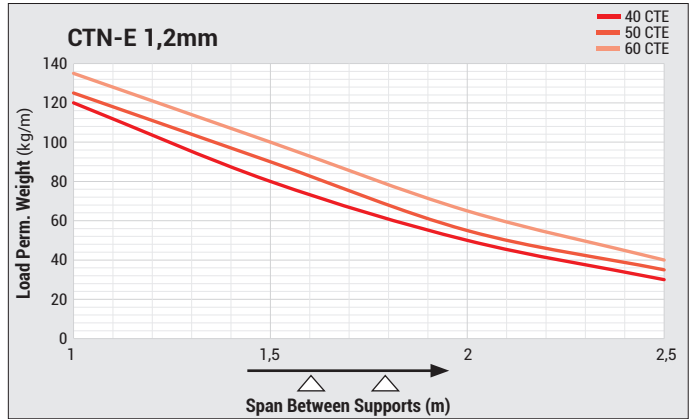
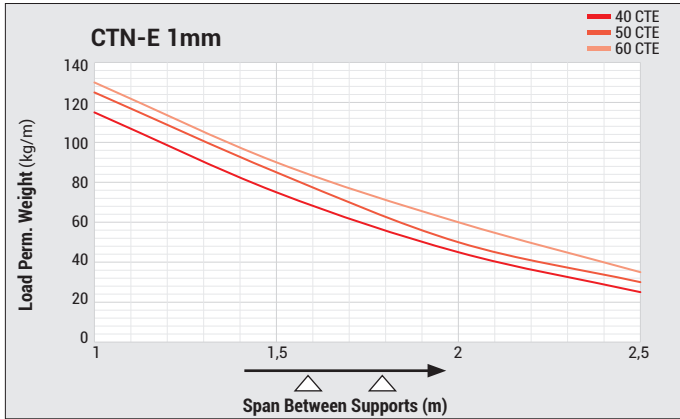
■ PG= Pre-Galvanized
■ HDG= Hot Dip Galvanized



■ Please contact us for special dimensions.
■ Material weights may vary by $\pm 10\%$

■ Please indicate order code in your orders.
■ All dimensions are given as in mm

■ PG= Pre-Galvanized
■ HDG= Hot Dip Galvanized



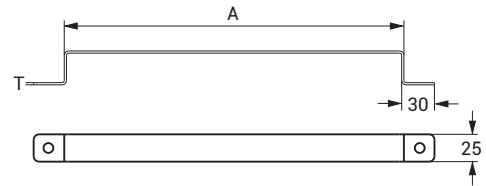
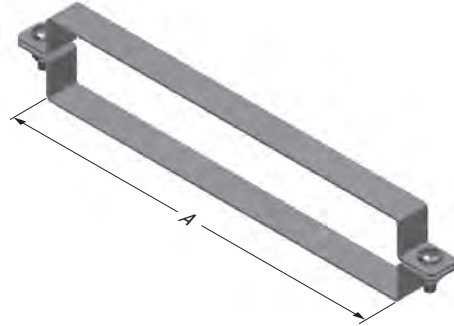
■ Please contact us for special dimensions.
 ■ Material weights may vary by ± 10%

■ Please indicate order code in your orders.
 ■ All dimensions are given as in mm

■ PG= Pre-Galvanized
 ■ HDG= Hot Dip Galvanized

Description	A (mm)	T (mm)	Weight (kg/set)	HDG Code
040 CTE OMEGA CLAMP 050	61	2	0,123	3137730
040 CTE OMEGA CLAMP 100	111	2	0,167	3137731
040 CTE OMEGA CLAMP 150	161	2	0,211	3137732
040 CTE OMEGA CLAMP 200	211	2	0,253	3137733
040 CTE OMEGA CLAMP 250	261	2	0,297	3137734
040 CTE OMEGA CLAMP 300	311	2	0,341	3137735
040 CTE OMEGA CLAMP 400	411	2	0,427	3137736
040 CTE OMEGA CLAMP 500	511	2	0,513	3137737
040 CTE OMEGA CLAMP 600	611	2	0,598	3137738
050 CTE OMEGA CLAMP 050	61	2	0,132	3137739
050 CTE OMEGA CLAMP 100	111	2	0,176	3137740
050 CTE OMEGA CLAMP 150	161	2	0,22	3137741
050 CTE OMEGA CLAMP 200	211	2	0,262	3137742
050 CTE OMEGA CLAMP 250	261	2	0,306	3137743
050 CTE OMEGA CLAMP 300	311	2	0,350	3137744
050 CTE OMEGA CLAMP 400	411	2	0,436	3137745
050 CTE OMEGA CLAMP 500	511	2	0,521	3137747
050 CTE OMEGA CLAMP 600	611	2	0,607	3137748
060 CTE OMEGA CLAMP 050	61	2	0,141	3359106
060 CTE OMEGA CLAMP 100	111	2	0,185	3137795
060 CTE OMEGA CLAMP 150	161	2	0,229	3137796
060 CTE OMEGA CLAMP 200	211	2	0,271	3137797
060 CTE OMEGA CLAMP 250	261	2	0,315	3137798
060 CTE OMEGA CLAMP 300	311	2	0,356	3137799
060 CTE OMEGA CLAMP 400	411	2	0,444	3137800
060 CTE OMEGA CLAMP 500	511	2	0,530	3137801
060 CTE OMEGA CLAMP 600	611	2	0,616	3137802
075 CTE OMEGA CLAMP 100	111	2	0,198	3137803
075 CTE OMEGA CLAMP 150	161	2	0,240	3137804
075 CTE OMEGA CLAMP 200	211	2	0,284	3137805
075 CTE OMEGA CLAMP 250	261	2	0,328	3137806
075 CTE OMEGA CLAMP 300	311	2	0,370	3137807
075 CTE OMEGA CLAMP 400	411	2	0,458	3137808
075 CTE OMEGA CLAMP 500	511	2	0,543	3137809
075 CTE OMEGA CLAMP 600	611	2	0,629	3137811
100 CTE OMEGA CLAMP 100	111	2	0,22	3137812
100 CTE OMEGA CLAMP 150	161	2	0,262	3137813
100 CTE OMEGA CLAMP 200	211	2	0,306	3137814
100 CTE OMEGA CLAMP 250	261	2	0,350	3137815
100 CTE OMEGA CLAMP 300	311	2	0,392	3137816
100 CTE OMEGA CLAMP 400	411	2	0,477	3137817
100 CTE OMEGA CLAMP 500	511	2	0,565	3137818
100 CTE OMEGA CLAMP 600	611	2	0,651	3137819
125 CTE OMEGA CLAMP 100	111	2	0,240	3137820
125 CTE OMEGA CLAMP 150	161	2	0,284	3137821
125 CTE OMEGA CLAMP 200	211	2	0,328	3137822
125 CTE OMEGA CLAMP 250	261	2	0,370	3137823
125 CTE OMEGA CLAMP 300	311	2	0,414	3137824
125 CTE OMEGA CLAMP 400	411	2	0,499	3137825
125 CTE OMEGA CLAMP 500	511	2	0,585	3137826
125 CTE OMEGA CLAMP 600	611	2	0,673	3137827
150 CTE OMEGA CLAMP 100	111	2	0,262	3137828
150 CTE OMEGA CLAMP 150	161	2	0,306	3137829
150 CTE OMEGA CLAMP 200	211	2	0,350	3137830
150 CTE OMEGA CLAMP 250	261	2	0,392	3137831
150 CTE OMEGA CLAMP 300	311	2	0,436	3137832
150 CTE OMEGA CLAMP 400	411	2	0,521	3137833
150 CTE OMEGA CLAMP 500	511	2	0,607	3137834
150 CTE OMEGA CLAMP 600	611	2	0,695	3137835

CTE Duct Cover Omega Clamp



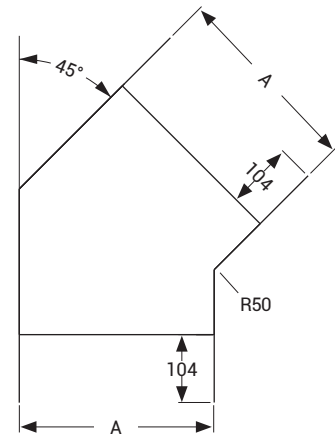
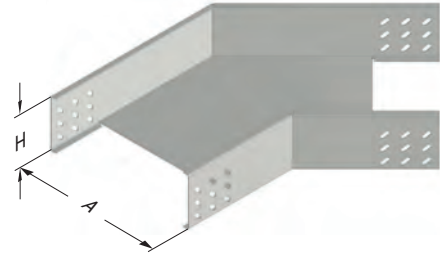
Note: Bolt set is included in the product delivered.

■ Please contact us for special dimensions.
 ■ Material weights may vary by ± 10%

■ Please indicate order code in your orders.
 ■ All dimensions are given as in mm

■ PG= Pre-Galvanized
 ■ HDG= Hot Dip Galvanized

Description	H (mm)	A (mm)	T=1,2		T=1,5		T=2	
			Weight (kg/pcs)	HDG Code	Weight (kg/pcs)	HDG Code	Weight (kg/pcs)	HDG Code
040 CTE 050 YD 45°	40	50	0,451	3273643	0,564	3273577	0,751	3264975
040 CTE 100 YD 45°	40	100	0,553	3273644	0,693	3273578	0,922	3264976
040 CTE 150 YD 45°	40	150	0,678	3273645	0,848	3273579	1,130	3264977
040 CTE 200 YD 45°	40	200	0,824	3273646	1,031	3273580	1,406	3264978
040 CTE 250 YD 45°	40	250	0,991	3273647	1,239	3273581	1,651	3264979
040 CTE 300 YD 45°	40	300	1,179	3273648	1,474	3273582	1,966	3264980
040 CTE 400 YD 45°	40	400	1,620	3273649	2,027	3273583	2,701	3264981
040 CTE 500 YD 45°	40	500	2,148	3273650	2,685	3273584	3,581	3264982
040 CTE 600 YD 45°	40	600	2,761	3273651	3,453	3273585	4,602	3264983
050 CTE 050 YD 45°	50	50	0,515	3273652	0,646	3273586	0,859	3264984
050 CTE 100 YD 45°	50	100	0,622	3273653	0,781	3273587	1,037	3264985
050 CTE 150 YD 45°	50	150	0,750	3273654	0,941	3273588	1,252	3264986
050 CTE 200 YD 45°	50	200	0,901	3273655	1,129	3273589	1,503	3264987
050 CTE 250 YD 45°	50	250	1,073	3273656	1,342	3273590	1,789	3264988
050 CTE 300 YD 45°	50	300	1,265	3273657	1,584	3273591	2,110	3264989
050 CTE 400 YD 45°	50	400	1,715	3273658	2,147	3273592	2,859	3264990
050 CTE 500 YD 45°	50	500	2,251	3273659	2,817	3273593	3,752	3264991
050 CTE 600 YD 45°	50	600	2,872	3273660	3,595	3273594	4,789	3264992
060 CTE 050 YD 45°	60	50	0,769	3359065	0,961	3359066	1,281	3359067
060 CTE 100 YD 45°	60	100	0,692	3273661	0,867	3273595	1,152	3264993
060 CTE 150 YD 45°	60	150	0,824	3273662	1,032	3273596	1,374	3264994
060 CTE 200 YD 45°	60	200	0,979	3273663	1,225	3273597	1,630	3264995
060 CTE 250 YD 45°	60	250	1,155	3273664	1,444	3273598	1,924	3264996
060 CTE 300 YD 45°	60	300	1,352	3273665	1,691	3273599	2,253	3264997
060 CTE 400 YD 45°	60	400	1,810	3273666	2,265	3273600	3,016	3264998
060 CTE 500 YD 45°	60	500	2,355	3273667	2,946	3273601	3,924	3264999
060 CTE 600 YD 45°	60	600	2,984	3273668	3,735	3273602	4,975	3265000
075 CTE 100 YD 45°	75	100	-	-	0,979	3273603	1,301	3265001
075 CTE 150 YD 45°	75	150	-	-	1,153	3273604	1,533	3265002
075 CTE 200 YD 45°	75	200	-	-	1,354	3273605	1,802	3265003
075 CTE 250 YD 45°	75	250	-	-	1,582	3273606	2,105	3265004
075 CTE 300 YD 45°	75	300	-	-	1,836	3273607	2,445	3265005
075 CTE 400 YD 45°	75	400	-	-	2,427	3273608	3,230	3265006
075 CTE 500 YD 45°	75	500	-	-	3,123	3273609	4,159	3265007
075 CTE 600 YD 45°	75	600	-	-	3,928	3273610	5,232	3265008
100 CTE 100 YD 45°	100	100	-	-	1,177	3273611	1,566	3265009
100 CTE 150 YD 45°	100	150	-	-	1,363	3273612	1,816	3265010
100 CTE 200 YD 45°	100	200	-	-	1,579	3273613	2,102	3265011
100 CTE 250 YD 45°	100	250	-	-	1,819	3273614	2,424	3265012
100 CTE 300 YD 45°	100	300	-	-	2,087	3273615	2,781	3265013
100 CTE 400 YD 45°	100	400	-	-	2,705	3273616	3,603	3265014
100 CTE 500 YD 45°	100	500	-	-	3,428	3273617	4,567	3265015
100 CTE 600 YD 45°	100	600	-	-	4,259	3273618	5,675	3265016
125 CTE 150 YD 45°	125	150	-	-	1,575	3273619	2,098	3265017
125 CTE 200 YD 45°	125	200	-	-	1,804	3273620	2,401	3265018
125 CTE 250 YD 45°	125	250	-	-	2,058	3273621	2,741	3265019
125 CTE 300 YD 45°	125	300	-	-	2,340	3273622	3,116	3265020
125 CTE 400 YD 45°	125	400	-	-	2,983	3273623	3,973	3265021
125 CTE 500 YD 45°	125	500	-	-	3,733	3273624	4,974	3265022
125 CTE 600 YD 45°	125	600	-	-	4,591	3273625	6,118	3265023
150 CTE 200 YD 45°	150	200	-	-	2,030	3273626	2,703	3265024
150 CTE 250 YD 45°	150	250	-	-	2,297	3273627	3,060	3265025
150 CTE 300 YD 45°	150	300	-	-	2,592	3273628	3,453	3265026
150 CTE 400 YD 45°	150	400	-	-	3,263	3273629	4,345	3265027
150 CTE 500 YD 45°	150	500	-	-	4,039	3273630	5,382	3265028
150 CTE 600 YD 45°	150	600	-	-	4,925	3273631	6,562	3265029

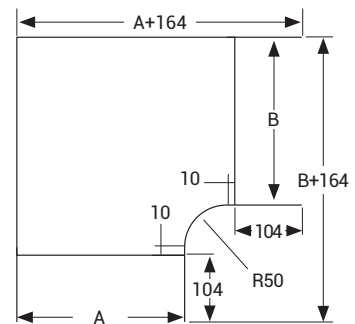
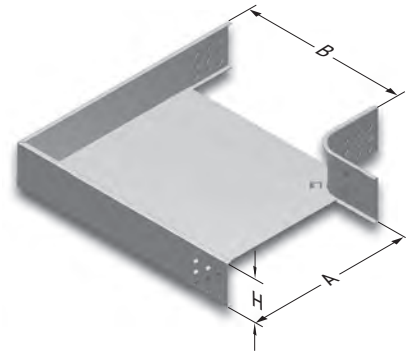


■ Please contact us for special dimensions.
 ■ Material weights may vary by ± 10%

■ Please indicate order code in your orders.
 ■ All dimensions are given as in mm

■ PG= Pre-Galvanized
 ■ HDG= Hot Dip Galvanized

Description	H (mm)	AB (mm)	T=1,2		T=1,5		T=2	
			Weight (kg/pcs)	HDG Code	Weight (kg/pcs)	HDG Code	Weight (kg/pcs)	HDG Code
040 CTE 050 YD 90°	40	50	0,567	3000290	0,707	3273758	0,946	3265334
040 CTE 100 YD 90°	40	100	0,772	3000291	0,966	3273759	1,290	3265335
040 CTE 150 YD 90°	40	150	1,032	3000292	1,289	3273760	1,720	3265336
040 CTE 200 YD 90°	40	200	1,341	3000293	1,676	3273761	2,237	3265337
040 CTE 250 YD 90°	40	250	1,703	3000294	2,130	3273762	2,841	3265338
040 CTE 300 YD 90°	40	300	2,116	3273720	2,647	3273763	3,531	3265339
040 CTE 400 YD 90°	40	400	3,099	3273721	3,875	3273764	5,169	3265340
040 CTE 500 YD 90°	40	500	4,289	3273722	5,364	3273765	7,153	3265341
040 CTE 600 YD 90°	40	600	5,686	3273723	7,109	3273766	9,483	3265342
050 CTE 050 YD 90°	50	50	0,641	3000299	0,803	3273767	1,073	3265343
050 CTE 100 YD 90°	50	100	0,858	3000300	1,074	3273768	1,434	3265344
050 CTE 150 YD 90°	50	150	1,128	3000301	1,410	3273769	1,882	3265345
050 CTE 200 YD 90°	50	200	1,448	3000302	1,811	3273770	2,416	3265346
050 CTE 250 YD 90°	50	250	1,819	3000303	2,277	3273771	3,037	3265347
050 CTE 300 YD 90°	50	300	2,244	3273724	2,806	3273772	3,744	3265348
050 CTE 400 YD 90°	50	400	3,247	3273725	4,061	3273773	5,418	3265349
050 CTE 500 YD 90°	50	500	4,457	3273726	5,575	3273774	7,435	3265350
050 CTE 600 YD 90°	50	600	5,875	3273727	7,347	3273775	9,800	3265351
060 CTE 050 YD 90°	60	50	0,719	3359062	0,899	3359063	1,199	3359064
060 CTE 100 YD 90°	60	100	0,945	3000309	1,183	3273776	1,579	3265352
060 CTE 150 YD 90°	60	150	1,224	3000310	1,531	3273777	2,043	3265353
060 CTE 200 YD 90°	60	200	1,554	3000311	1,945	3273778	2,595	3265354
060 CTE 250 YD 90°	60	250	1,937	3000312	2,423	3273779	3,233	3265355
060 CTE 300 YD 90°	60	300	2,372	3273728	2,967	3273780	3,958	3265356
060 CTE 400 YD 90°	60	400	3,396	3273729	4,247	3273781	5,665	3265357
060 CTE 500 YD 90°	60	500	4,628	3273730	5,786	3273782	7,718	3265358
060 CTE 600 YD 90°	60	600	6,065	3273731	7,585	3273783	10,117	3265359
075 CTE 100 YD 90°	75	100	-	-	1,327	3273784	1,781	3265360
075 CTE 150 YD 90°	75	150	-	-	1,695	3273785	2,273	3265361
075 CTE 200 YD 90°	75	200	-	-	2,129	3273786	2,852	3265362
075 CTE 250 YD 90°	75	250	-	-	2,627	3273787	3,518	3265363
075 CTE 300 YD 90°	75	300	-	-	3,189	3273788	4,270	3265364
075 CTE 400 YD 90°	75	400	-	-	4,509	3273789	6,032	3265365
075 CTE 500 YD 90°	75	500	-	-	6,086	3273790	8,140	3265366
075 CTE 600 YD 90°	75	600	-	-	7,923	3273791	10,594	3265367
100 CTE 100 YD 90°	100	100	-	-	1,580	3273792	2,119	3265368
100 CTE 150 YD 90°	100	150	-	-	1,980	3273793	2,654	3265369
100 CTE 200 YD 90°	100	200	-	-	2,446	3273794	3,277	3265370
100 CTE 250 YD 90°	100	250	-	-	2,977	3273795	3,985	3265371
100 CTE 300 YD 90°	100	300	-	-	3,572	3273796	4,781	3265372
100 CTE 400 YD 90°	100	400	-	-	4,956	3273797	6,630	3265373
100 CTE 500 YD 90°	100	500	-	-	6,599	3273798	8,824	3265374
100 CTE 600 YD 90°	100	600	-	-	8,501	3273799	11,364	3265375
125 CTE 150 YD 90°	125	150	-	-	2,266	3273800	3,034	3265376
125 CTE 200 YD 90°	125	200	-	-	2,764	3273801	3,699	3265377
125 CTE 250 YD 90°	125	250	-	-	3,326	3273802	4,452	3265378
125 CTE 300 YD 90°	125	300	-	-	3,953	3273803	5,291	3265379
125 CTE 400 YD 90°	125	400	-	-	5,403	3273804	7,226	3265380
125 CTE 500 YD 90°	125	500	-	-	7,110	3273805	9,506	3265381
125 CTE 600 YD 90°	125	600	-	-	9,077	3273806	12,133	3265382
150 CTE 200 YD 90°	150	200	-	-	3,081	3273807	4,061	3265383
150 CTE 250 YD 90°	150	250	-	-	3,677	3273808	4,848	3265384
150 CTE 300 YD 90°	150	300	-	-	4,336	3273809	5,721	3265385
150 CTE 400 YD 90°	150	400	-	-	5,850	3273810	7,725	3265386
150 CTE 500 YD 90°	150	500	-	-	7,623	3273811	10,075	3265387
150 CTE 600 YD 90°	150	600	-	-	9,654	3273812	12,771	3265388

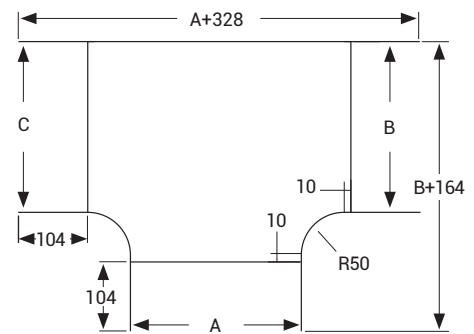
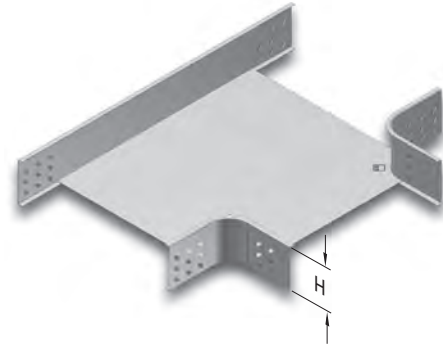


■ Please contact us for special dimensions.
 ■ Material weights may vary by ± 10%

■ Please indicate order code in your orders.
 ■ All dimensions are given as in mm

■ PG= Pre-Galvanized
 ■ HDG= Hot Dip Galvanized

Description	H (mm)	ABC (mm)	T=1,2		T=1,5		T=2	
			Weight (kg/pcs)	HDG Code	Weight (kg/pcs)	HDG Code	Weight (kg/pcs)	HDG Code
040 CTE 050 YT	40	50	0,572	3000333	0,963	3274200	1,286	3265437
040 CTE 100 YT	40	100	0,777	3000334	1,218	3274201	1,626	3265438
040 CTE 150 YT	40	150	1,032	3000335	1,538	3274202	2,053	3265439
040 CTE 200 YT	40	200	1,340	3000336	1,923	3274203	2,565	3265440
040 CTE 250 YT	40	250	1,700	3000337	2,372	3274204	3,166	3265441
040 CTE 300 YT	40	300	2,111	3274160	2,886	3274205	3,851	3265442
040 CTE 400 YT	40	400	3,090	3274161	4,109	3274206	5,480	3265443
040 CTE 500 YT	40	500	4,275	3274162	5,590	3274207	7,457	3265444
040 CTE 600 YT	40	600	5,667	3274163	7,332	3274208	9,777	3265445
050 CTE 050 YT	50	50	0,641	3000342	1,091	3274209	1,459	3265446
050 CTE 100 YT	50	100	0,851	3000343	1,352	3274210	1,808	3265447
050 CTE 150 YT	50	150	1,112	3000344	1,679	3274211	2,244	3265448
050 CTE 200 YT	50	200	1,426	3000345	2,070	3274212	2,765	3265449
050 CTE 250 YT	50	250	1,791	3000346	2,526	3274213	3,375	3265450
050 CTE 300 YT	50	300	2,208	3274164	3,047	3274214	4,069	3265451
050 CTE 400 YT	50	400	3,196	3274165	4,282	3274215	5,717	3265452
050 CTE 500 YT	50	500	4,391	3274166	5,777	3274216	7,711	3265453
050 CTE 600 YT	50	600	5,795	3274167	7,531	3274217	10,049	3265454
060 CTE 050 YT	60	50	0,975	3359068	1,230	3359069	1,640	3359070
060 CTE 100 YT	60	100	1,189	3000352	1,487	3274218	1,988	3265455
060 CTE 150 YT	60	150	1,454	3000353	1,819	3274219	2,432	3265456
060 CTE 200 YT	60	200	1,773	3000354	2,219	3274220	2,962	3265457
060 CTE 250 YT	60	250	2,143	3274168	2,680	3274221	3,579	3265458
060 CTE 300 YT	60	300	2,565	3274169	3,207	3274222	4,283	3265459
060 CTE 400 YT	60	400	3,564	3274170	4,455	3274223	5,948	3265460
060 CTE 500 YT	60	500	4,770	3274171	5,963	3274224	7,960	3265461
060 CTE 600 YT	60	600	6,183	3274172	7,730	3274225	10,315	3265462
075 CTE 100 YT	75	100	-	-	1,663	3274226	2,221	3265463
075 CTE 150 YT	75	150	-	-	2,005	3274227	2,679	3265464
075 CTE 200 YT	75	200	-	-	2,413	3274228	3,222	3265465
075 CTE 250 YT	75	250	-	-	2,884	3274229	3,852	3265466
075 CTE 300 YT	75	300	-	-	3,422	3274230	4,568	3265467
075 CTE 400 YT	75	400	-	-	4,689	3274231	6,259	3265468
075 CTE 500 YT	75	500	-	-	6,217	3274232	8,296	3265469
075 CTE 600 YT	75	600	-	-	8,003	3274233	10,678	3265470
100 CTE 100 YT	100	100	-	-	1,965	3274234	2,637	3265471
100 CTE 150 YT	100	150	-	-	2,323	3274235	3,116	3265472
100 CTE 200 YT	100	200	-	-	2,748	3274236	3,681	3265473
100 CTE 250 YT	100	250	-	-	3,235	3274237	4,333	3265474
100 CTE 300 YT	100	300	-	-	3,788	3274238	5,071	3265476
100 CTE 400 YT	100	400	-	-	5,089	3274239	6,805	3265477
100 CTE 500 YT	100	500	-	-	6,648	3274240	8,885	3265478
100 CTE 600 YT	100	600	-	-	8,467	3274241	11,309	3265479
125 CTE 150 YT	125	150	-	-	2,659	3274242	3,551	3265480
125 CTE 200 YT	125	200	-	-	3,100	3274243	4,137	3265481
125 CTE 250 YT	125	250	-	-	3,603	3274244	4,811	3265482
125 CTE 300 YT	125	300	-	-	4,172	3274245	5,570	3265483
125 CTE 400 YT	125	400	-	-	5,506	3274246	7,347	3265484
125 CTE 500 YT	125	500	-	-	7,097	3274247	9,471	3265485
125 CTE 600 YT	125	600	-	-	8,947	3274248	11,938	3265486
150 CTE 200 YT	150	200	-	-	3,442	3274249	4,596	3265487
150 CTE 250 YT	150	250	-	-	3,962	3274250	5,291	3265488
150 CTE 300 YT	150	300	-	-	4,547	3274251	6,072	3265489
150 CTE 400 YT	150	400	-	-	5,913	3274252	7,893	3265490
150 CTE 500 YT	150	500	-	-	7,537	3274253	10,060	3265491
150 CTE 600 YT	150	600	-	-	9,420	3274254	12,571	3265492



■ Please contact us for special dimensions.
 ■ Material weights may vary by ± 10%

■ Please indicate order code in your orders.
 ■ All dimensions are given as in mm

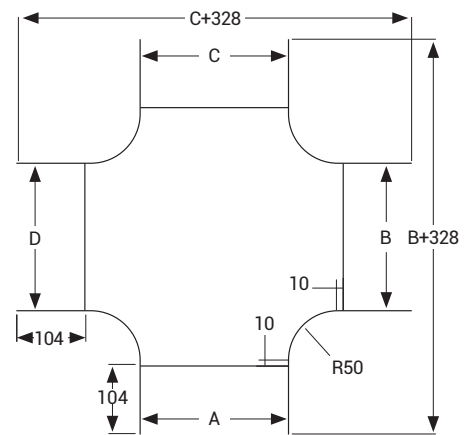
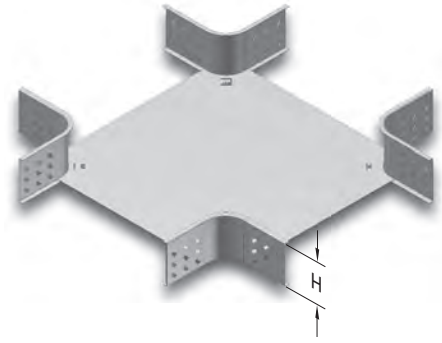
■ PG= Pre-Galvanized
 ■ HDG= Hot Dip Galvanized

►► BENDS

► CTE Cross Over Bend

Hot Dip Galvanized (TS EN ISO 1461)

Description	H (mm)	ABCD (mm)	T=1,2		T=1,5		T=2	
			Weight (kg/pcs)	HDG Code	Weight (kg/pcs)	HDG Code	Weight (kg/pcs)	HDG Code
040 CTE 050 AD	40	50	0,965	3000376	1,206	3272340	1,612	3265541
040 CTE 100 AD	40	100	1,166	3000377	1,459	3272341	1,948	3265542
040 CTE 150 AD	40	150	1,420	3000378	1,775	3272342	2,372	3265543
040 CTE 200 AD	40	200	1,726	3000379	2,157	3272343	2,881	3265544
040 CTE 250 AD	40	250	2,083	3000380	2,605	3272344	3,477	3265545
040 CTE 300 AD	40	300	2,493	3272303	3,116	3272345	4,159	3265546
040 CTE 400 AD	40	400	3,467	3272304	4,334	3272346	5,783	3265547
040 CTE 500 AD	40	500	4,649	3272305	5,810	3272347	7,752	3265548
040 CTE 600 AD	40	600	6,057	3272306	7,546	3272348	10,065	3265549
050 CTE 050 AD	50	50	1,088	3000385	1,364	3272349	1,823	3265550
050 CTE 100 AD	50	100	1,289	3000386	1,617	3272350	2,159	3265551
050 CTE 150 AD	50	150	1,543	3000387	1,934	3272351	2,583	3265552
050 CTE 200 AD	50	200	1,849	3000388	2,316	3272352	3,092	3265553
050 CTE 250 AD	50	250	2,207	3000389	2,763	3272353	3,688	3265554
050 CTE 300 AD	50	300	2,616	3272307	3,275	3272354	4,370	3265555
050 CTE 400 AD	50	400	3,590	3272308	4,492	3272355	5,994	3265556
050 CTE 500 AD	50	500	4,772	3272309	5,969	3272356	7,963	3265557
050 CTE 600 AD	50	600	6,180	3272310	7,704	3272357	10,276	3265558
060 CTE 050 AD	60	50	1,218	3281536	1,523	3359071	2,030	3359072
060 CTE 100 AD	60	100	1,417	3000395	1,775	3272358	2,371	3265559
060 CTE 150 AD	60	150	1,671	3000396	2,092	3272359	2,794	3265560
060 CTE 200 AD	60	200	1,977	3000397	2,474	3272360	3,303	3265561
060 CTE 250 AD	60	250	2,334	3000398	2,922	3272361	3,900	3265562
060 CTE 300 AD	60	300	2,743	3272311	3,433	3272362	4,582	3265563
060 CTE 400 AD	60	400	3,718	3272312	4,651	3272363	6,205	3265564
060 CTE 500 AD	60	500	4,899	3272313	6,127	3272364	8,174	3265565
060 CTE 600 AD	60	600	6,307	3272314	7,863	3272365	10,487	3265566
075 CTE 100 AD	75	100	-	-	1,978	3272366	2,639	3265567
075 CTE 150 AD	75	150	-	-	2,295	3272367	3,062	3265568
075 CTE 200 AD	75	200	-	-	2,676	3272368	3,572	3265569
075 CTE 250 AD	75	250	-	-	3,124	3272369	4,168	3265570
075 CTE 300 AD	75	300	-	-	3,636	3272370	4,850	3265571
075 CTE 400 AD	75	400	-	-	4,853	3272371	6,474	3265572
075 CTE 500 AD	75	500	-	-	6,329	3272372	8,443	3265573
075 CTE 600 AD	75	600	-	-	8,065	3272373	10,756	3265574
100 CTE 100 AD	100	100	-	-	2,339	3272374	3,123	3265575
100 CTE 150 AD	100	150	-	-	2,655	3272375	3,546	3265576
100 CTE 200 AD	100	200	-	-	3,037	3272376	4,056	3265577
100 CTE 250 AD	100	250	-	-	3,485	3272377	4,652	3265578
100 CTE 300 AD	100	300	-	-	3,996	3272378	5,334	3265579
100 CTE 400 AD	100	400	-	-	5,214	3272379	6,958	3265580
100 CTE 500 AD	100	500	-	-	6,690	3272380	8,927	3265581
100 CTE 600 AD	100	600	-	-	8,426	3272381	11,240	3265582
125 CTE 150 AD	125	150	-	-	3,016	3003220	4,026	3265583
125 CTE 200 AD	125	200	-	-	3,398	3003221	4,535	3265584
125 CTE 250 AD	125	250	-	-	3,846	3003222	5,132	3265585
125 CTE 300 AD	125	300	-	-	4,357	3003223	5,814	3265586
125 CTE 400 AD	125	400	-	-	5,575	3003224	7,437	3265587
125 CTE 500 AD	125	500	-	-	7,051	3003225	9,406	3265588
125 CTE 600 AD	125	600	-	-	8,787	3003226	11,719	3265589
150 CTE 200 AD	150	200	-	-	3,759	3003227	5,019	3265590
150 CTE 250 AD	150	250	-	-	4,206	3003228	5,616	3265591
150 CTE 300 AD	150	300	-	-	4,718	3003229	6,298	3265592
150 CTE 400 AD	150	400	-	-	5,936	3003230	7,921	3265593
150 CTE 500 AD	150	500	-	-	7,412	3003231	9,890	3265594
150 CTE 600 AD	150	600	-	-	9,148	3003232	12,203	3265595



■ Please contact us for special dimensions.
 ■ Material weights may vary by ± 10%

■ Please indicate order code in your orders.
 ■ All dimensions are given as in mm

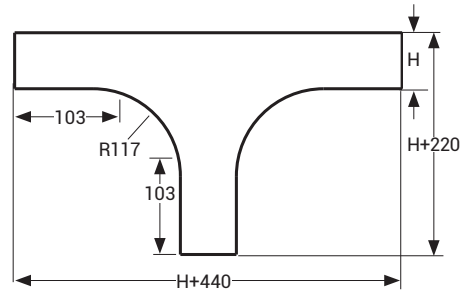
■ PG= Pre-Galvanized
 ■ HDG= Hot Dip Galvanized

►► BENDS

► CTE Centre Descent Bend R=117

Hot Dip Galvanized (TS EN ISO 1461)

Description	H (mm)	A (mm)	T=1,5		T=2	
			Weight (kg/pcs)	HDG Code	Weight (kg/pcs)	HDG Code
040 CTE 050 TO	40	50	1,645	3005814	2,079	3005738
040 CTE 100 TO	40	100	2,193	3005927	2,794	3005794
040 CTE 150 TO	40	150	2,701	3005925	3,470	3005728
040 CTE 200 TO	40	200	3,209	3005923	4,148	3005726
040 CTE 250 TO	40	250	3,718	3005921	4,824	3005724
040 CTE 300 TO	40	300	4,226	3005919	5,501	3005722
040 CTE 400 TO	40	400	5,242	3005720	6,855	3005917
040 CTE 500 TO	40	500	6,259	3005718	8,209	3005915
040 CTE 600 TO	40	600	7,275	3005716	9,563	3005913
050 CTE 050 TO	50	50	1,842	3001167	2,100	3001174
050 CTE 100 TO	50	100	2,350	3007546	2,782	3007514
050 CTE 150 TO	50	150	2,858	3007242	3,465	3007256
050 CTE 200 TO	50	200	3,367	3007544	4,147	3007512
050 CTE 250 TO	50	250	3,875	3007240	4,829	3007254
050 CTE 300 TO	50	300	4,383	3007542	5,610	3007510
050 CTE 400 TO	50	400	5,399	3007540	6,875	3007508
050 CTE 500 TO	50	500	6,416	3007538	8,240	3007506
050 CTE 600 TO	50	600	7,432	3007536	9,604	3007504
060 CTE 050 TO	60	50	2,060	3359082	2,747	3359083
060 CTE 100 TO	60	100	2,591	3005911	3,053	3005714
060 CTE 150 TO	60	150	3,099	3005909	3,735	3005712
060 CTE 200 TO	60	200	3,608	3005907	4,417	3005710
060 CTE 250 TO	60	250	4,116	3005905	5,099	3005708
060 CTE 300 TO	60	300	4,624	3005903	5,782	3005706
060 CTE 400 TO	60	400	5,640	3005704	7,146	3005901
060 CTE 500 TO	60	500	6,653	3005702	8,510	3005899
060 CTE 600 TO	60	600	7,673	3005700	9,874	3005897
075 CTE 100 TO	75	100	2,865	3007238	3,383	3007252
075 CTE 150 TO	75	150	3,373	3007236	4,065	3007250
075 CTE 200 TO	75	200	3,881	3007534	4,747	3007502
075 CTE 250 TO	75	250	4,390	3007234	5,430	3007248
075 CTE 300 TO	75	300	4,898	3007532	6,112	3007500
075 CTE 400 TO	75	400	5,914	3007530	7,476	3007498
075 CTE 500 TO	75	500	6,931	3007528	8,840	3007496
075 CTE 600 TO	75	600	7,947	3007526	10,205	3007494
100 CTE 100 TO	100	100	3,372	3001168	4,081	3001175
100 CTE 150 TO	100	150	3,881	3007232	4,763	3007246
100 CTE 200 TO	100	200	4,390	3007524	5,446	3007492
100 CTE 250 TO	100	250	4,897	3007230	6,128	3007244
100 CTE 300 TO	100	300	5,405	3007522	6,810	3007490
100 CTE 400 TO	100	400	6,421	3007520	8,174	3007488
100 CTE 500 TO	100	500	7,438	3007518	9,538	3007486
100 CTE 600 TO	100	600	8,454	3007516	10,903	3007484
125 CTE 150 TO	125	150	4,461	3003233	5,829	3003568
125 CTE 200 TO	125	200	5,007	3003234	6,663	3003569
125 CTE 250 TO	125	250	5,612	3003235	7,499	3003570
125 CTE 300 TO	125	300	6,102	3003236	8,335	3003571
125 CTE 400 TO	125	400	7,195	3003237	9,957	3003572
125 CTE 500 TO	125	500	8,290	3003238	11,670	3003573
125 CTE 600 TO	125	600	9,383	3003239	13,339	3003574
150 CTE 200 TO	150	200	5,427	3003240	7,323	3003575
150 CTE 250 TO	150	250	5,675	3003241	8,241	3003576
150 CTE 300 TO	150	300	6,521	3003242	9,160	3003577
150 CTE 400 TO	150	400	7,615	3003243	10,942	3003578
150 CTE 500 TO	150	500	8,709	3003244	12,825	3003579
150 CTE 600 TO	150	600	10,511	3003245	14,659	3003580



CT

■ Please contact us for special dimensions.
 ■ Material weights may vary by ± 10%

■ Please indicate order code in your orders.
 ■ All dimensions are given as in mm

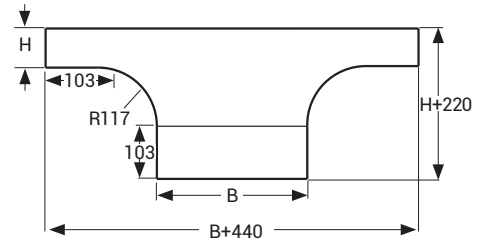
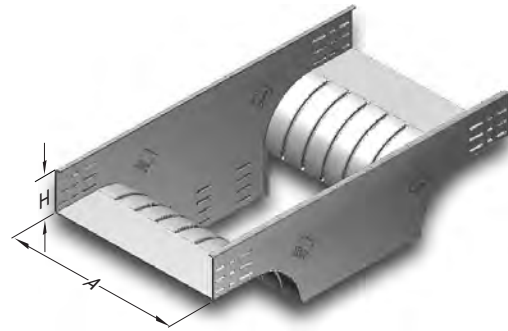
■ PG= Pre-Galvanized
 ■ HDG= Hot Dip Galvanized

►► BENDS

► CTE Wall Mounted Bend R=117

Hot Dip Galvanized (TS EN ISO 1461)

Description	H (mm)	A (mm)	B (mm)	T=1,5		T=2	
				Weight (kg/pcs)	HDG Code	Weight (kg/pcs)	HDG Code
040 CTE 050 TD	40	50	50	1,509	3005812	1,992	3005736
040 CTE 100 TD	40	100	100	2,201	3005959	2,911	3005810
040 CTE 150 TD	40	150	150	2,871	3005957	3,534	3005808
040 CTE 200 TD	40	200	200	3,544	3005955	4,398	3005806
040 CTE 250 TD	40	250	250	4,264	3005953	5,900	3005804
040 CTE 300 TD	40	300	300	4,943	3005951	6,842	3005802
040 CTE 400 TD	40	400	300	5,764	3005800	7,950	3005949
040 CTE 500 TD	40	500	300	6,585	3005798	8,578	3005947
040 CTE 600 TD	40	600	300	7,409	3005796	9,649	3005945
050 CTE 050 TD	50	50	50	1,637	3001169	2,105	3001214
050 CTE 100 TD	50	100	100	2,341	3007482	3,029	3007450
050 CTE 150 TD	50	150	150	3,045	3007270	3,955	3007284
050 CTE 200 TD	50	200	200	3,738	3007480	4,863	3007448
050 CTE 250 TD	50	250	250	4,442	3007268	5,788	3007282
050 CTE 300 TD	50	300	300	5,135	3007478	6,697	3007446
050 CTE 400 TD	50	400	300	5,955	3007476	7,766	3007444
050 CTE 500 TD	50	500	300	6,776	3007474	8,834	3007442
050 CTE 600 TD	50	600	300	7,600	3007472	9,904	3007440
060 CTE 050 TD	60	50	50	2,050	3359084	2,734	3359085
060 CTE 100 TD	60	100	100	2,481	3005943	3,216	3005776
060 CTE 150 TD	60	150	150	3,199	3005941	4,159	3005774
060 CTE 200 TD	60	200	200	3,904	3005939	5,084	3005772
060 CTE 250 TD	60	250	250	4,621	3005937	6,027	3005770
060 CTE 300 TD	60	300	300	5,326	3005935	6,953	3005768
060 CTE 400 TD	60	400	300	6,148	3005766	8,021	3005933
060 CTE 500 TD	60	500	300	6,969	3005764	9,089	3005931
060 CTE 600 TD	60	600	300	7,791	3005762	10,161	3005929
075 CTE 100 TD	75	100	100	2,665	3007266	3,462	3007280
075 CTE 150 TD	75	150	150	3,402	3007264	4,430	3007278
075 CTE 200 TD	75	200	200	4,127	3007470	5,382	3007438
075 CTE 250 TD	75	250	250	4,863	3007262	6,350	3007276
075 CTE 300 TD	75	300	300	5,588	3007468	7,302	3007436
075 CTE 400 TD	75	400	300	6,140	3007466	8,371	3007434
075 CTE 500 TD	75	500	300	7,230	3007464	9,439	3007432
075 CTE 600 TD	75	600	300	8,053	3007462	10,509	3007430
100 CTE 100 TD	100	100	100	2,990	3001426	3,894	3001215
100 CTE 150 TD	100	150	150	3,759	3007260	4,906	3007274
100 CTE 200 TD	100	200	200	4,516	3007460	5,900	3007428
100 CTE 250 TD	100	250	250	5,284	3007258	6,911	3007272
100 CTE 300 TD	100	300	300	6,042	3007458	7,907	3007426
100 CTE 400 TD	100	400	300	6,863	3007456	8,975	3007424
100 CTE 500 TD	100	500	300	7,784	3007454	10,044	3007422
100 CTE 600 TD	100	600	300	8,507	3007452	11,114	3007420
125 CTE 150 TD	125	150	150	4,115	3003246	5,446	3003581
125 CTE 200 TD	125	200	200	4,905	3003247	6,488	3003582
125 CTE 250 TD	125	250	250	5,706	3003248	7,545	3003583
125 CTE 300 TD	125	300	300	6,496	3003249	8,587	3003584
125 CTE 400 TD	125	400	300	7,317	3003250	9,661	3003585
125 CTE 500 TD	125	500	300	8,138	3003251	10,736	3003586
125 CTE 600 TD	125	600	300	8,961	3003252	11,770	3003587
150 CTE 200 TD	150	200	200	5,293	3003253	6,896	3003588
150 CTE 250 TD	150	250	250	6,127	3003254	7,987	3003589
150 CTE 300 TD	150	300	300	6,950	3003255	9,064	3003590
150 CTE 400 TD	150	400	300	7,770	3003256	10,139	3003591
150 CTE 500 TD	150	500	300	8,591	3003257	11,213	3003592
150 CTE 600 TD	150	600	300	9,961	3003258	12,288	3003593



■ Please contact us for special dimensions.
 ■ Material weights may vary by ± 10%

■ Please indicate order code in your orders.
 ■ All dimensions are given as in mm

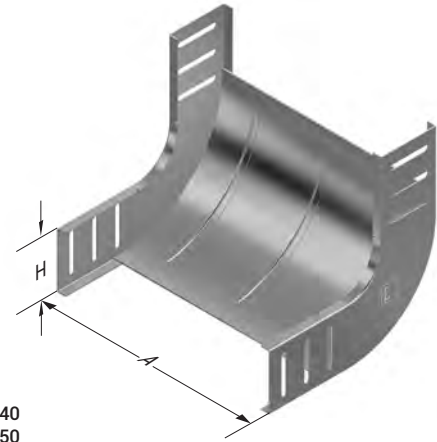
■ PG= Pre-Galvanized
 ■ HDG= Hot Dip Galvanized

►► BENDS

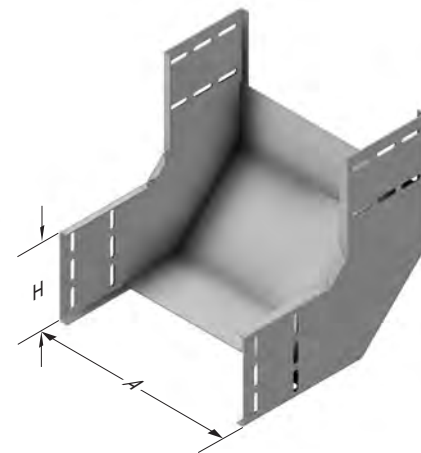
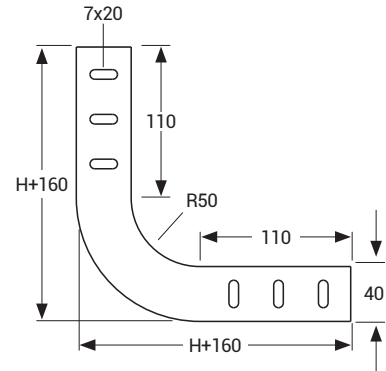
► CTE ID Vertical Inside Bend

Hot Dip Galvanized (TS EN ISO 1461)

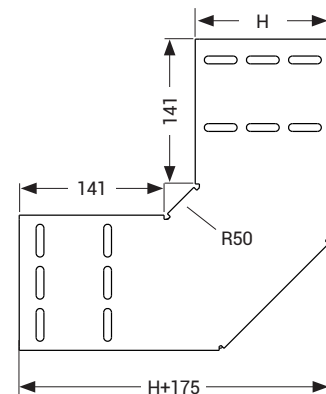
Description	H (mm)	A (mm)	T=1,2		T=1,5		T=2	
			Weight (kg/pcs)	HDG Code	Weight (kg/pcs)	HDG Code	Weight (kg/pcs)	HDG Code
040 CTE 050 ID	40	50	0,509	3273141	0,635	3273077	0,846	3265279
040 CTE 100 ID	40	100	0,590	3273142	0,736	3273078	0,981	3265280
040 CTE 150 ID	40	150	0,671	3273143	0,837	3273079	1,117	3265281
040 CTE 200 ID	40	200	0,751	3273144	0,937	3273080	1,250	3265282
040 CTE 250 ID	40	250	0,833	3273145	1,038	3273081	1,385	3265283
040 CTE 300 ID	40	300	0,912	3273146	1,139	3273082	1,517	3265284
040 CTE 400 ID	40	400	1,074	3273147	1,340	3273083	1,785	3265285
040 CTE 500 ID	40	500	1,234	3273148	1,540	3273084	2,054	3265286
040 CTE 600 ID	40	600	1,395	3273149	1,740	3273085	2,319	3265287
050 CTE 050 ID	50	50	0,587	3273150	0,735	3273086	0,980	3265288
050 CTE 100 ID	50	100	0,677	3273151	0,847	3273087	1,130	3265289
050 CTE 150 ID	50	150	0,767	3273152	0,958	3273088	1,279	3265290
050 CTE 200 ID	50	200	0,855	3273153	1,068	3273089	1,426	3265291
050 CTE 250 ID	50	250	0,944	3273154	1,180	3273090	1,574	3265292
050 CTE 300 ID	50	300	1,032	3273155	1,290	3273091	1,720	3265293
050 CTE 400 ID	50	400	1,209	3273156	1,511	3273092	2,016	3265294
050 CTE 500 ID	50	500	1,387	3273157	1,734	3273093	2,312	3265295
050 CTE 600 ID	50	600	1,563	3273158	1,954	3273094	2,605	3265296
060 CTE 050 ID	60	50	0,670	3359076	0,837	3359077	1,116	3359078
060 CTE 100 ID	60	100	0,770	3273159	0,961	3273095	1,283	3265297
060 CTE 150 ID	60	150	0,868	3273160	1,084	3273096	1,445	3265298
060 CTE 200 ID	60	200	0,965	3273161	1,205	3273097	1,606	3265299
060 CTE 250 ID	60	250	1,063	3273162	1,327	3273098	1,769	3265300
060 CTE 300 ID	60	300	1,158	3273163	1,447	3273099	1,928	3265301
060 CTE 400 ID	60	400	1,352	3273164	1,689	3273100	2,252	3265302
060 CTE 500 ID	60	500	1,547	3273165	1,931	3273101	2,575	3265303
060 CTE 600 ID	60	600	1,739	3273166	2,171	3273102	2,894	3265304
075 CTE 100 ID	75	100	-	-	1,140	3273103	1,521	3265305
075 CTE 150 ID	75	150	-	-	1,249	3273104	1,706	3265306
075 CTE 200 ID	75	200	-	-	1,414	3273105	1,887	3265307
075 CTE 250 ID	75	250	-	-	1,551	3273106	2,070	3265308
075 CTE 300 ID	75	300	-	-	1,686	3273107	2,251	3265309
075 CTE 400 ID	75	400	-	-	1,959	3273108	2,615	3265310
075 CTE 500 ID	75	500	-	-	2,232	3273109	2,979	3265311
075 CTE 600 ID	75	600	-	-	2,503	3273110	3,340	3265312
100 CTE 100 ID	100	100	-	-	1,460	3273111	1,947	3265313
100 CTE 150 ID	100	150	-	-	1,624	3273112	2,166	3265314
100 CTE 200 ID	100	200	-	-	1,784	3273113	2,379	3265315
100 CTE 250 ID	100	250	-	-	1,948	3273114	2,599	3265316
100 CTE 300 ID	100	300	-	-	2,109	3273115	2,813	3265317
100 CTE 400 ID	100	400	-	-	2,433	3273116	3,246	3265318
100 CTE 500 ID	100	500	-	-	2,758	3273117	3,680	3265319
100 CTE 600 ID	100	600	-	-	3,079	3273118	4,107	3265320
125 CTE 150 ID	125	150	-	-	2,192	3273119	2,923	3265321
125 CTE 200 ID	125	200	-	-	2,402	3273120	3,203	3265322
125 CTE 250 ID	125	250	-	-	2,613	3273121	3,484	3265323
125 CTE 300 ID	125	300	-	-	2,822	3273122	3,763	3265324
125 CTE 400 ID	125	400	-	-	3,242	3273123	4,323	3265325
125 CTE 500 ID	125	500	-	-	3,662	3273124	4,883	3265326
125 CTE 600 ID	125	600	-	-	4,082	3273125	5,443	3265327
150 CTE 200 ID	150	200	-	-	2,862	3273126	3,816	3265328
150 CTE 250 ID	150	250	-	-	3,099	3273127	4,132	3265329
150 CTE 300 ID	150	300	-	-	3,335	3273128	4,447	3265330
150 CTE 400 ID	150	400	-	-	3,809	3273129	5,079	3265331
150 CTE 500 ID	150	500	-	-	4,283	3273130	5,710	3265332
150 CTE 600 ID	150	600	-	-	4,756	3273131	6,342	3265333



H40
H50
H60
H75
H100



H125
H150

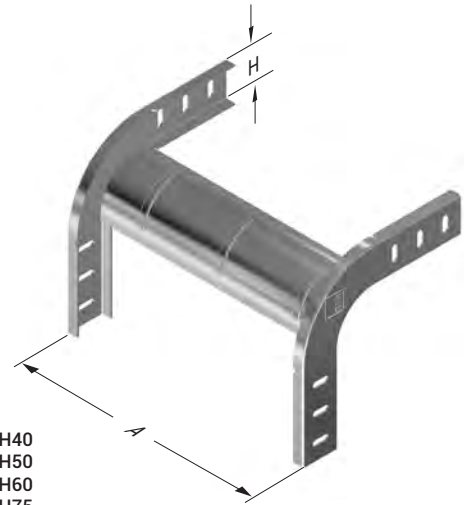


■ Please contact us for special dimensions.
■ Material weights may vary by ± 10%

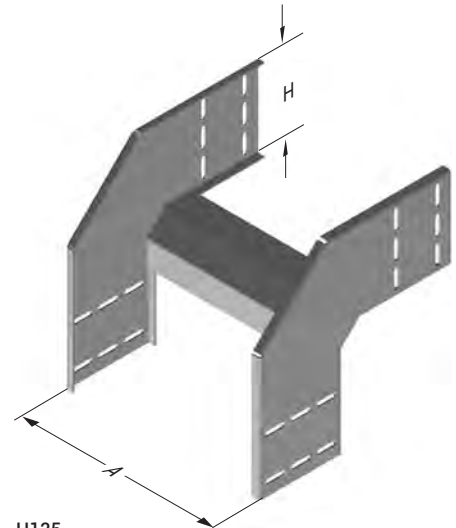
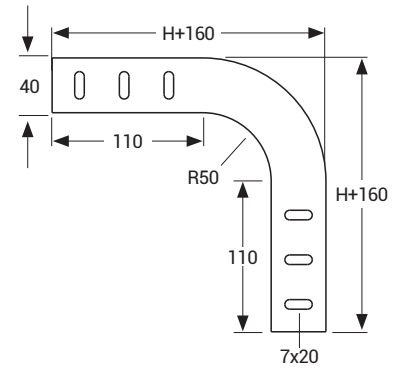
■ Please indicate order code in your orders.
■ All dimensions are given as in mm

■ PG= Pre-Galvanized
■ HDG= Hot Dip Galvanized

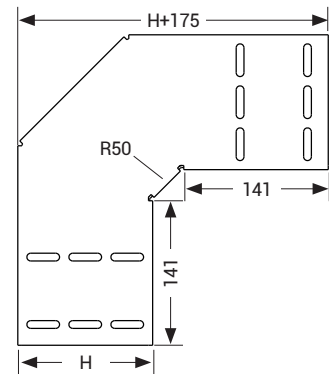
Description	H (mm)	A (mm)	T=1,2		T=1,5		T=2	
			Weight (kg/pcs)	HDG Code	Weight (kg/pcs)	HDG Code	Weight (kg/pcs)	HDG Code
040 CTE 050 DD	40	50	0,491	3272962	0,596	3272850	0,794	3265078
040 CTE 100 DD	40	100	0,526	3272963	0,656	3272851	0,875	3265079
040 CTE 150 DD	40	150	0,574	3272964	0,716	3272852	0,956	3265080
040 CTE 200 DD	40	200	0,622	3272965	0,776	3272853	1,035	3265081
040 CTE 250 DD	40	250	0,671	3272966	0,837	3272854	1,118	3265082
040 CTE 300 DD	40	300	0,718	3272967	0,897	3272855	1,197	3265083
040 CTE 400 DD	40	400	0,814	3272968	1,018	3272856	1,359	3265084
040 CTE 500 DD	40	500	0,911	3272969	1,139	3272857	1,519	3265085
040 CTE 600 DD	40	600	1,005	3272970	1,257	3272858	1,679	3265086
050 CTE 050 DD	50	50	0,561	3272971	0,686	3272859	0,915	3265087
050 CTE 100 DD	50	100	0,596	3272972	0,746	3272860	0,996	3265088
050 CTE 150 DD	50	150	0,645	3272973	0,806	3272861	1,077	3265089
050 CTE 200 DD	50	200	0,692	3272974	0,866	3272862	1,156	3265090
050 CTE 250 DD	50	250	0,741	3272975	0,927	3272863	1,239	3265091
050 CTE 300 DD	50	300	0,789	3272976	0,987	3272864	1,318	3265092
050 CTE 400 DD	50	400	0,884	3272977	1,108	3272865	1,480	3265093
050 CTE 500 DD	50	500	0,981	3272978	1,229	3272866	1,640	3265094
050 CTE 600 DD	50	600	1,076	3272979	1,348	3272867	1,800	3265095
060 CTE 050 DD	60	50	0,622	3359073	0,777	3359074	1,036	3359075
060 CTE 100 DD	60	100	0,673	3272980	0,840	3272868	1,121	3265096
060 CTE 150 DD	60	150	0,722	3272981	0,901	3272869	1,202	3265097
060 CTE 200 DD	60	200	0,769	3272982	0,960	3272870	1,282	3265098
060 CTE 250 DD	60	250	0,818	3272983	1,022	3272871	1,364	3265099
060 CTE 300 DD	60	300	0,866	3272984	1,081	3272872	1,443	3265100
060 CTE 400 DD	60	400	0,961	3272985	1,202	3272873	1,605	3265101
060 CTE 500 DD	60	500	1,058	3272986	1,323	3272874	1,766	3265102
060 CTE 600 DD	60	600	1,153	3272987	1,442	3272875	1,925	3265103
075 CTE 100 DD	75	100	-	-	0,988	3272876	1,319	3265104
075 CTE 150 DD	75	150	-	-	1,048	3272877	1,400	3265105
075 CTE 200 DD	75	200	-	-	1,108	3272878	1,480	3265106
075 CTE 250 DD	75	250	-	-	1,169	3272879	1,562	3265107
075 CTE 300 DD	75	300	-	-	1,229	3272880	1,641	3265108
075 CTE 400 DD	75	400	-	-	1,350	3272881	1,803	3265109
075 CTE 500 DD	75	500	-	-	1,471	3272882	1,964	3265110
075 CTE 600 DD	75	600	-	-	1,590	3272883	2,123	3265111
100 CTE 100 DD	100	100	-	-	1,256	3272884	1,675	3265112
100 CTE 150 DD	100	150	-	-	1,317	3272885	1,757	3265113
100 CTE 200 DD	100	200	-	-	1,376	3272886	1,836	3265114
100 CTE 250 DD	100	250	-	-	1,438	3272887	1,918	3265115
100 CTE 300 DD	100	300	-	-	1,497	3272888	1,998	3265116
100 CTE 400 DD	100	400	-	-	1,618	3272889	2,159	3265117
100 CTE 500 DD	100	500	-	-	1,739	3272890	2,320	3265118
100 CTE 600 DD	100	600	-	-	1,858	3272891	2,479	3265119
125 CTE 150 DD	125	150	-	-	1,796	3272892	2,395	3265120
125 CTE 200 DD	125	200	-	-	1,874	3272893	2,498	3265121
125 CTE 250 DD	125	250	-	-	1,951	3272894	2,602	3265122
125 CTE 300 DD	125	300	-	-	2,029	3272895	2,705	3265123
125 CTE 400 DD	125	400	-	-	2,185	3272896	2,913	3265124
125 CTE 500 DD	125	500	-	-	2,340	3272897	3,120	3265125
125 CTE 600 DD	125	600	-	-	2,496	3272898	3,328	3265126
150 CTE 200 DD	150	200	-	-	2,226	3272899	2,968	3265127
150 CTE 250 DD	150	250	-	-	2,303	3272900	3,071	3265128
150 CTE 300 DD	150	300	-	-	2,381	3272901	3,175	3265129
150 CTE 400 DD	150	400	-	-	2,537	3272902	3,383	3265130
150 CTE 500 DD	150	500	-	-	2,692	3272903	3,589	3265131
150 CTE 600 DD	150	600	-	-	2,848	3272904	3,797	3265132



H40
H50
H60
H75
H100



H125
H150



■ Please contact us for special dimensions.
■ Material weights may vary by ± 10%

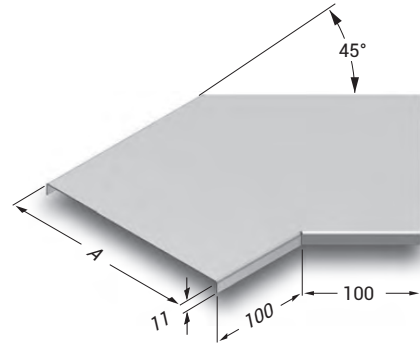
■ Please indicate order code in your orders.
■ All dimensions are given as in mm

■ PG= Pre-Galvanized
■ HDG= Hot Dip Galvanized

►► BEND COVER

► CTE Horizontal Degree Bend (45°) R=50 Hot Dip Galvanized (TS EN ISO 1461)

Description	A (mm)	T=1,2		T=1,5		T=2	
		Weight (kg/pcs)	HDG Code	Weight (kg/pcs)	HDG Code	Weight (kg/pcs)	HDG Code
CTE 050 YD45° COVER	50	0,079	3273699	0,101	3273633	0,138	3265030
CTE 100 YD45° COVER	100	0,160	3273700	0,201	3273634	0,273	3265031
CTE 150 YD45° COVER	150	0,261	3273701	0,329	3273635	0,444	3265032
CTE 200 YD45° COVER	200	0,384	3273702	0,483	3273636	0,651	3265033
CTE 250 YD45° COVER	250	0,529	3273703	0,664	3273637	0,893	3265034
CTE 300 YD45° COVER	300	0,695	3273704	0,872	3273638	1,172	3265035
CTE 400 YD45° COVER	400	1,091	3273705	1,370	3273639	1,835	3265036
CTE 500 YD45° COVER	500	1,574	3273706	1,973	3273640	2,642	3265037
CTE 600 YD45° COVER	600	2,142	3273707	2,684	3273641	3,592	3265038



► CTE Horizontal Degree Bend (90°) R=50

Hot Dip Galvanized (TS EN ISO 1461)

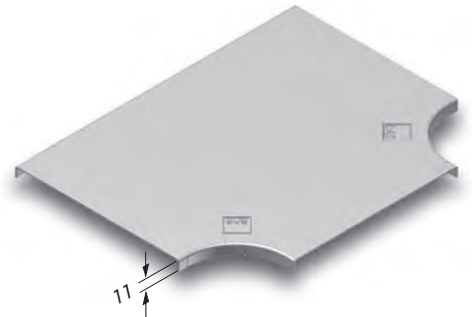
Description	A (mm)	T=1,2		T=1,5		T=2	
		Weight (kg/pcs)	HDG Code	Weight (kg/pcs)	HDG Code	Weight (kg/pcs)	HDG Code
CTE 050 YD90° COVER	50	0,133	3000462	0,166	3273814	0,222	3265389
CTE 100 YD90° COVER	100	0,285	3000463	0,356	3273815	0,477	3265390
CTE 150 YD90° COVER	150	0,490	3000464	0,612	3273816	0,817	3265391
CTE 200 YD90° COVER	200	0,745	3000465	0,932	3273817	1,244	3265392
CTE 250 YD90° COVER	250	1,053	3000466	1,317	3273818	1,758	3265393
CTE 300 YD90° COVER	300	1,412	3273753	1,767	3000467	2,357	3265394
CTE 400 YD90° COVER	400	2,287	3273754	2,860	3000468	3,816	3265395
CTE 500 YD90° COVER	500	3,368	3273755	4,212	3000469	5,620	3265396
CTE 600 YD90° COVER	600	4,657	3273756	5,823	3273819	7,768	3265397



► CTE YT Tee Bend Cover R=50

Hot Dip Galvanized (TS EN ISO 1461)

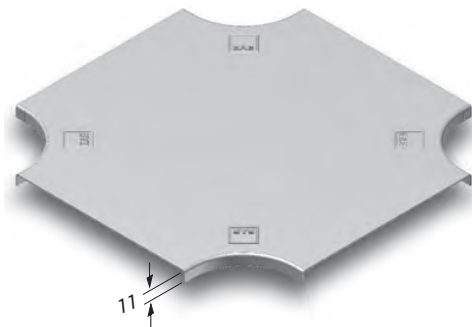
Description	A (mm)	T=1,2		T=1,5		T=2	
		Weight (kg/pcs)	HDG Code	Weight (kg/pcs)	HDG Code	Weight (kg/pcs)	HDG Code
CTE 050 YT COVER	50	0,176	3000471	0,220	3274255	0,293	3265493
CTE 100 YT COVER	100	0,354	3000472	0,442	3274256	0,589	3265494
CTE 150 YT COVER	150	0,583	3000473	0,728	3274257	0,970	3265495
CTE 200 YT COVER	200	0,865	3000474	1,080	3274258	1,439	3265496
CTE 250 YT COVER	250	1,198	3000475	1,496	3274259	1,993	3265497
CTE 300 YT COVER	300	1,582	3274196	1,977	3000476	2,633	3265498
CTE 400 YT COVER	400	2,512	3274197	3,139	3000477	4,183	3265499
CTE 500 YT COVER	500	3,652	3274198	4,564	3000478	6,082	3265500
CTE 600 YT COVER	600	4,994	3274199	6,241	3274260	8,317	3265501



► CTE Cross Over Bend Cover R=50

Hot Dip Galvanized (TS EN ISO 1461)

Description	A (mm)	T=1,2		T=1,5		T=2	
		Weight (kg/pcs)	HDG Code	Weight (kg/pcs)	HDG Code	Weight (kg/pcs)	HDG Code
CTE 050 AD COVER	50	0,220	3000480	0,275	3272382	0,367	3265596
CTE 100 AD COVER	100	0,422	3000481	0,528	3272383	0,704	3265597
CTE 150 AD COVER	150	0,675	3000482	0,845	3272384	1,126	3265598
CTE 200 AD COVER	200	0,981	3000483	1,227	3272385	1,637	3265599
CTE 250 AD COVER	250	1,339	3000484	1,674	3272386	2,232	3265600
CTE 300 AD COVER	300	1,748	3272336	2,186	3000485	2,914	3265601
CTE 400 AD COVER	400	2,723	3272337	3,403	3000486	4,538	3265602
CTE 500 AD COVER	500	3,904	3272338	4,880	3000487	5,715	3265603
CTE 600 AD COVER	600	5,292	3272339	6,615	3272387	8,821	3265604



■ Please contact us for special dimensions.
 ■ Material weights may vary by ± 10%

■ Please indicate order code in your orders.
 ■ All dimensions are given as in mm

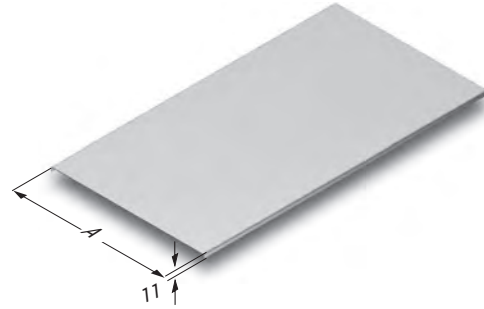
■ PG= Pre-Galvanized
 ■ HDG= Hot Dip Galvanized

►► BEND COVER

► CTE Centre Descent Bend Cover

Hot Dip Galvanized (TS EN ISO 1461)

Description	A (mm)	T=1,5		T=2	
		Weight (kg/m)	HDG Code	Weight (kg/m)	HDG Code
040 CTE 050 TO COVER	55	0,469	3005406	0,625	3005446
040 CTE 100 TO COVER	105	0,781	3006811	1,042	3005548
040 CTE 150 TO COVER	155	1,093	3006809	1,459	3005546
040 CTE 200 TO COVER	205	1,406	3006807	1,874	3005544
040 CTE 250 TO COVER	255	1,718	3006805	2,291	3005542
040 CTE 300 TO COVER	305	2,031	3006803	2,708	3005540
040 CTE 400 TO COVER	405	2,655	3006801	3,541	3005538
040 CTE 500 TO COVER	505	3,280	3006799	4,375	3005536
040 CTE 600 TO COVER	605	3,906	3006797	5,207	3005534
050 CTE 050 TO COVER	55	0,479	3001188	0,638	3001170
050 CTE 100 TO COVER	105	0,798	3005895	1,064	3005532
050 CTE 150 TO COVER	155	1,117	3005893	1,488	3005530
050 CTE 200 TO COVER	205	1,436	3005891	1,914	3005528
050 CTE 250 TO COVER	255	1,755	3005889	2,339	3005526
050 CTE 300 TO COVER	305	2,074	3005887	2,764	3005524
050 CTE 400 TO COVER	405	2,712	3005885	3,615	3005522
050 CTE 500 TO COVER	505	3,350	3005883	4,465	3005520
050 CTE 600 TO COVER	605	3,986	3005881	5,316	3005518
060 CTE 050 TO COVER	55	0,456	3359108	0,608	3359109
060 CTE 100 TO COVER	105	0,814	3005879	1,085	3005516
060 CTE 150 TO COVER	155	1,140	3005877	1,519	3005514
060 CTE 200 TO COVER	205	1,464	3005875	1,953	3005512
060 CTE 250 TO COVER	255	1,790	3005873	2,387	3005510
060 CTE 300 TO COVER	305	2,115	3005871	2,820	3005508
060 CTE 400 TO COVER	405	2,767	3005869	3,688	3005506
060 CTE 500 TO COVER	505	3,418	3005867	4,556	3005504
060 CTE 600 TO COVER	605	4,068	3005865	5,424	3005502
075 CTE 100 TO COVER	105	0,838	3005863	1,118	3005500
075 CTE 150 TO COVER	155	1,174	3005404	1,564	3005434
075 CTE 200 TO COVER	205	1,508	3005861	2,012	3005498
075 CTE 250 TO COVER	255	1,844	3005402	2,459	3005432
075 CTE 300 TO COVER	305	2,179	3005859	2,905	3005496
075 CTE 400 TO COVER	405	2,849	3005857	3,799	3005494
075 CTE 500 TO COVER	505	3,520	3005855	4,694	3005492
075 CTE 600 TO COVER	605	4,190	3005853	5,587	3005490
100 CTE 100 TO COVER	105	0,879	3001189	1,172	3001171
100 CTE 150 TO COVER	155	1,230	3005400	1,640	3005430
100 CTE 200 TO COVER	205	1,582	3005851	2,109	3005488
100 CTE 250 TO COVER	255	1,933	3005398	2,577	3005428
100 CTE 300 TO COVER	305	2,285	3005849	3,046	3005486
100 CTE 400 TO COVER	405	2,988	3005847	3,984	3005484
100 CTE 500 TO COVER	505	3,691	3005845	4,921	3005482
100 CTE 600 TO COVER	605	4,393	3005843	5,859	3005480
125 CTE 150 TO COVER	155	1,282	3003298	1,702	3003711
125 CTE 200 TO COVER	205	1,647	3003299	2,190	3003712
125 CTE 250 TO COVER	255	2,013	3003300	2,677	3003713
125 CTE 300 TO COVER	305	2,379	3003301	3,166	3003714
125 CTE 400 TO COVER	405	3,111	3003302	4,142	3003715
125 CTE 500 TO COVER	505	3,842	3003303	5,117	3003716
125 CTE 600 TO COVER	605	4,575	3003304	6,093	3003717
150 CTE 200 TO COVER	205	1,720	3003305	2,287	3003718
150 CTE 250 TO COVER	255	2,102	3003306	2,796	3003719
150 CTE 300 TO COVER	305	2,484	3003307	3,306	3003720
150 CTE 400 TO COVER	405	3,248	3003308	4,324	3003721
150 CTE 500 TO COVER	505	4,013	3003309	5,344	3003722
150 CTE 600 TO COVER	605	4,777	3003310	6,362	3003723

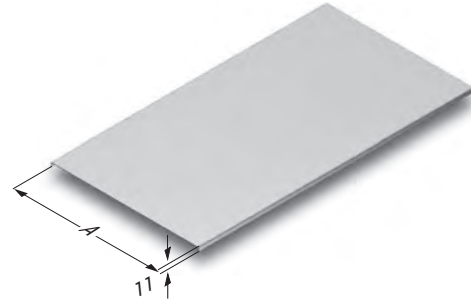


■ Please contact us for special dimensions.
 ■ Material weights may vary by ± 10%

■ Please indicate order code in your orders.
 ■ All dimensions are given as in mm

■ PG= Pre-Galvanized
 ■ HDG= Hot Dip Galvanized

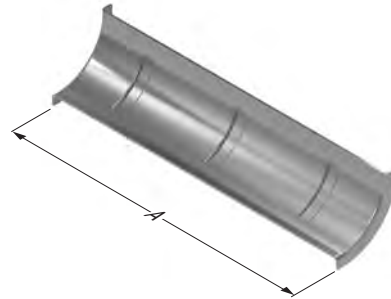
Description	A (mm)	T=1,5		T=2	
		Weight (kg/m)	HDG Code	Weight (kg/m)	HDG Code
CTE 050 TD COVER	55	0,479	3005396	0,638	3005444
CTE 100 TD COVER	105	0,879	3006795	1,172	3005478
CTE 150 TD COVER	155	1,344	3006793	1,792	3005476
CTE 200 TD COVER	205	1,728	3006791	2,305	3005474
CTE 250 TD COVER	255	2,291	3006789	3,055	3005472
CTE 300 TD COVER	305	3,131	3006787	4,175	3005470
CTE 400 TD COVER	405	4,094	3006785	5,459	3005468
CTE 500 TD COVER	505	5,058	3006783	6,744	3005466
CTE 600 TD COVER	605	6,021	3006781	8,028	3005464



► CTE Vertical Inside Bend (90°)

Hot Dip Galvanized (TS EN ISO 1461)

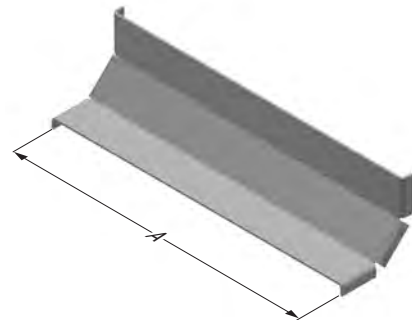
Description	A (mm)	T=1,2		T=1,5		T=2	
		Weight (kg/pcs)	HDG Code	Weight (kg/pcs)	HDG Code	Weight (kg/pcs)	HDG Code
CTE 050 ID90° COVER	50	0,067	3273196	0,084	3273132	0,111	3265740
CTE 100 ID90° COVER	100	0,112	3273197	0,140	3273133	0,185	3265266
CTE 150 ID90° COVER	150	0,156	3273198	0,195	3273134	0,257	3265741
CTE 200 ID90° COVER	200	0,200	3273199	0,250	3273135	0,331	3265267
CTE 250 ID90° COVER	250	0,244	3273200	0,305	3273136	0,404	3265742
CTE 300 ID90° COVER	300	0,289	3273201	0,360	3273137	0,477	3265268
CTE 400 ID90° COVER	400	0,377	3273202	0,471	3273138	0,624	3265269
CTE 500 ID90° COVER	500	0,466	3273203	0,581	3273139	0,770	3265270
CTE 600 ID90° COVER	600	0,556	3273204	0,691	3273140	0,916	3265271



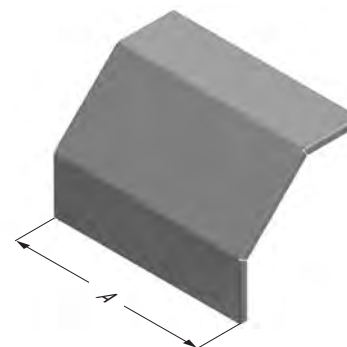
► CTE Vertical Inside Bend (90°)

Hot Dip Galvanized (TS EN ISO 1461)

Description	A (mm)	T=1,5		T=2	
		Weight (kg/pcs)	HDG Code	Weight (kg/pcs)	HDG Code
125-150 CTE 150 ID90° COVER	150	0,257	3305486	0,343	3265272
125-150 CTE 200 ID90° COVER	200	0,332	3305487	0,442	3265273
125-150 CTE 250 ID90° COVER	250	0,406	3305488	0,541	3265274
125-150 CTE 300 ID90° COVER	300	0,479	3305489	0,639	3265275
125-150 CTE 400 ID90° COVER	400	0,628	3305490	0,837	3265276
125-150 CTE 500 ID90° COVER	500	0,776	3305491	1,034	3265277
125-150 CTE 600 ID90° COVER	600	0,924	3305492	1,232	3265278



Description	A (mm)	T=1,2		T=1,5		T=2	
		Weight (kg/pcs)	HDG Code	Weight (kg/pcs)	HDG Code	Weight (kg/pcs)	HDG Code
40 CTE DD90° COVER 050	50	0,123	3273017	0,155	3272907	0,207	3265133
40 CTE DD90° COVER 100	100	0,207	3273018	0,259	3272908	0,345	3265134
40 CTE DD90° COVER 150	150	0,292	3273019	0,354	3272909	0,487	3265135
40 CTE DD90° COVER 200	200	0,375	3273020	0,469	3272910	0,626	3265136
40 CTE DD90° COVER 250	250	0,460	3273021	0,575	3272911	0,768	3265137
40 CTE DD90° COVER 300	300	0,543	3273022	0,680	3272912	0,908	3265138
40 CTE DD90° COVER 400	400	0,712	3273023	0,890	3272913	1,188	3265139
40 CTE DD90° COVER 500	500	0,880	3273024	1,100	3272914	1,469	3265140
40 CTE DD90° COVER 600	600	1,045	3273025	1,308	3272915	1,746	3265141
50 CTE DD90° COVER 050	50	0,136	3273026	0,171	3272916	0,228	3265142
50 CTE DD90° COVER 100	100	0,227	3273027	0,284	3272917	0,381	3265143
50 CTE DD90° COVER 150	150	0,321	3273028	0,402	3272918	0,536	3265144
50 CTE DD90° COVER 200	200	0,413	3273029	0,515	3272919	0,688	3265145
50 CTE DD90° COVER 250	250	0,506	3273030	0,633	3272920	0,844	3265146
50 CTE DD90° COVER 300	300	0,597	3273031	0,746	3272921	0,997	3265147
50 CTE DD90° COVER 400	400	0,782	3273032	0,978	3272922	1,305	3265148
50 CTE DD90° COVER 500	500	0,967	3273033	1,209	3272923	1,613	3265149
50 CTE DD90° COVER 600	600	1,148	3273034	1,437	3272924	1,917	3265150
60 CTE DD90° COVER 050	50	0,151	3359110	0,189	3359111	0,253	3359112
60 CTE DD90° COVER 100	100	0,248	3273035	0,310	3272925	0,414	3265151
60 CTE DD90° COVER 150	150	0,350	3273036	0,438	3272926	0,584	3265152
60 CTE DD90° COVER 200	200	0,449	3273037	0,562	3272927	0,749	3265153
60 CTE DD90° COVER 250	250	0,551	3273038	0,690	3272928	0,920	3265154
60 CTE DD90° COVER 300	300	0,650	3273039	0,814	3272929	1,086	3265155
60 CTE DD90° COVER 400	400	0,853	3273040	1,065	3272930	1,421	3265156
60 CTE DD90° COVER 500	500	1,054	3273041	1,317	3272931	1,757	3265157
60 CTE DD90° COVER 600	600	1,252	3273042	1,565	3272932	2,089	3265158
75 CTE DD90° COVER 100	100	-	-	0,349	3272933	0,465	3265159
75 CTE DD90° COVER 150	150	-	-	0,492	3272934	0,656	3265160
75 CTE DD90° COVER 200	200	-	-	0,631	3272935	0,842	3265161
75 CTE DD90° COVER 250	250	-	-	0,774	3272936	1,032	3265162
75 CTE DD90° COVER 300	300	-	-	0,914	3272937	1,219	3265163
75 CTE DD90° COVER 400	400	-	-	1,197	3272938	1,595	3265164
75 CTE DD90° COVER 500	500	-	-	1,480	3272939	1,972	3265165
75 CTE DD90° COVER 600	600	-	-	1,759	3272940	2,345	3265166
100 CTE DD90° COVER 100	100	-	-	0,413	3272941	0,550	3265167
100 CTE DD90° COVER 150	150	-	-	0,582	3272942	0,776	3265168
100 CTE DD90° COVER 200	200	-	-	0,747	3272943	0,997	3265169
100 CTE DD90° COVER 250	250	-	-	0,916	3272944	1,222	3265170
100 CTE DD90° COVER 300	300	-	-	1,081	3272945	1,442	3265171
100 CTE DD90° COVER 400	400	-	-	1,416	3272946	1,888	3265172
100 CTE DD90° COVER 500	500	-	-	1,751	3272947	2,333	3265173
100 CTE DD90° COVER 600	600	-	-	2,080	3272948	2,774	3265174
125 CTE DD90° COVER 150	150	-	-	0,747	3272949	0,996	3265175
125 CTE DD90° COVER 200	200	-	-	0,961	3272950	1,282	3265176
125 CTE DD90° COVER 250	250	-	-	1,175	3272951	1,566	3265177
125 CTE DD90° COVER 300	300	-	-	1,389	3272952	1,852	3265178
125 CTE DD90° COVER 400	400	-	-	1,817	3272953	2,422	3265179
125 CTE DD90° COVER 500	500	-	-	2,245	3272954	2,993	3265180
125 CTE DD90° COVER 600	600	-	-	2,673	3272955	3,564	3265181
150 CTE DD90° COVER 200	200	-	-	1,082	3272956	1,442	3265182
150 CTE DD90° COVER 250	250	-	-	1,322	3272957	1,763	3265183
150 CTE DD90° COVER 300	300	-	-	1,563	3272958	2,085	3265184
150 CTE DD90° COVER 400	400	-	-	2,045	3272959	2,727	3265185
150 CTE DD90° COVER 500	500	-	-	2,527	3272960	3,369	3265186
150 CTE DD90° COVER 600	600	-	-	3,009	3272961	4,012	3265187



■ Please contact us for special dimensions.
 ■ Material weights may vary by ± 10%

■ Please indicate order code in your orders.
 ■ All dimensions are given as in mm

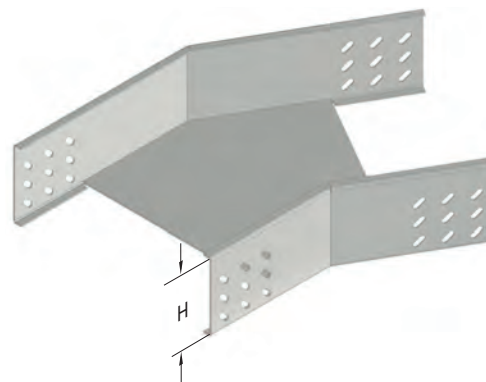
■ PG= Pre-Galvanized
 ■ HDG= Hot Dip Galvanized

BENDS

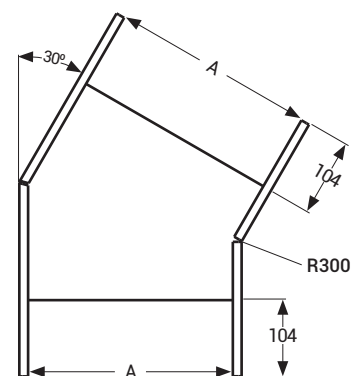
CTE YD 30° Horizontal Degree Bend (R300, R450, R600)

Hot Dip Galvanized (TS EN ISO 1461)

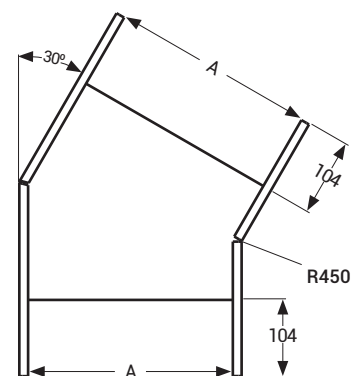
Description	H (mm)	A (mm)	T (mm)	R300		R450		R600	
				Weight (kg/pcs)	HDG Code	Weight (kg/pcs)	HDG Code	Weight (kg/pcs)	HDG Code
040 CTE 050 YD30°	40	50	2	0,950	3269191	1,192	3269192	1,436	3269193
040 CTE 100 YD30°	40	100	2	1,153	3269197	1,465	3269198	1,778	3269199
040 CTE 150 YD30°	40	150	2	1,379	3269203	1,761	3269204	2,143	3269205
040 CTE 200 YD30°	40	200	2	1,629	3269209	2,080	3269210	2,531	3269211
040 CTE 250 YD30°	40	250	2	1,902	3269215	2,422	3269216	2,943	3269217
040 CTE 300 YD30°	40	300	2	2,197	3269221	2,786	3269222	3,377	3269223
040 CTE 400 YD30°	40	400	2	2,858	3269227	3,586	3269228	4,315	3269229
040 CTE 500 YD30°	40	500	2	3,611	3269233	4,478	3269234	5,346	3269235
040 CTE 600 YD30°	40	600	2	4,457	3269239	5,463	3269240	6,469	3269241
050 CTE 050 YD30°	50	50	2	1,082	3269245	1,353	3269246	1,624	3269247
050 CTE 100 YD30°	50	100	2	1,290	3269251	1,630	3269252	1,97	3269253
050 CTE 150 YD30°	50	150	2	1,521	3269257	1,931	3269258	2,34	3269259
050 CTE 200 YD30°	50	200	2	1,775	3269263	2,254	3269264	2,732	3269265
050 CTE 250 YD30°	50	250	2	2,053	3269269	2,600	3269270	3,148	3269271
050 CTE 300 YD30°	50	300	2	2,353	3269275	2,970	3269276	3,588	3269277
050 CTE 400 YD30°	50	400	2	3,023	3269281	3,779	3269282	4,535	3269283
050 CTE 500 YD30°	50	500	2	3,785	3269287	4,681	3269288	5,576	3269289
050 CTE 600 YD30°	50	600	2	4,64	3269293	5,674	3269294	6,708	3269295
060 CTE 100 YD30°	60	100	2	1,428	3269299	1,795	3269300	2,163	3269301
060 CTE 150 YD30°	60	150	2	1,663	3269305	2,100	3269306	2,537	3269307
060 CTE 200 YD30°	60	200	2	1,922	3269311	2,428	3269312	2,935	3269313
060 CTE 250 YD30°	60	250	2	2,203	3269317	2,779	3269318	3,355	3269319
060 CTE 300 YD30°	60	300	2	2,508	3269323	3,154	3269324	3,798	3269325
060 CTE 400 YD30°	60	400	2	3,188	3269329	3,971	3269330	4,755	3269331
060 CTE 500 YD30°	60	500	2	3,959	3269335	4,882	3269336	5,805	3269337
060 CTE 600 YD30°	60	600	2	4,824	3269341	5,885	3269342	6,948	3269343
075 CTE 100 YD30°	75	100	2	1,609	3269347	2,019	3269348	2,428	3269349
075 CTE 150 YD30°	75	150	2	1,851	3269353	2,331	3269354	2,809	3269355
075 CTE 200 YD30°	75	200	2	2,118	3269359	2,665	3269360	3,213	3269361
075 CTE 250 YD30°	75	250	2	2,406	3269365	3,024	3269366	3,641	3269367
075 CTE 300 YD30°	75	300	2	2,718	3269371	3,405	3269372	4,092	3269373
075 CTE 400 YD30°	75	400	2	3,411	3269377	4,237	3269378	5,062	3269379
075 CTE 500 YD30°	75	500	2	4,197	3269383	5,161	3269384	6,126	3269385
075 CTE 600 YD30°	75	600	2	5,074	3269389	6,179	3269390	7,282	3269391
100 CTE 100 YD30°	100	100	2	1,928	3269395	2,407	3269396	2,885	3269397
100 CTE 150 YD30°	100	150	2	2,182	3269401	2,730	3269402	3,278	3269403
100 CTE 200 YD30°	100	200	2	2,46	3269407	3,077	3269408	3,695	3269409
100 CTE 250 YD30°	100	250	2	2,76	3269413	3,446	3269414	4,134	3269415
100 CTE 300 YD30°	100	300	2	3,083	3269419	3,839	3269420	4,596	3269421
100 CTE 400 YD30°	100	400	2	3,799	3269425	4,695	3269426	5,59	3269427
100 CTE 500 YD30°	100	500	2	4,608	3269431	5,642	3269432	6,676	3269433
100 CTE 600 YD30°	100	600	2	5,51	3269437	6,683	3269438	7,855	3269439
125 CTE 150 YD30°	125	150	2	2,512	3269443	3,131	3269444	3,748	3269445
125 CTE 200 YD30°	125	200	2	2,802	3269449	3,488	3269450	4,176	3269451
125 CTE 250 YD30°	125	250	2	3,113	3269455	3,870	3269456	4,627	3269457
125 CTE 300 YD30°	125	300	2	3,449	3269461	4,275	3269462	5,100	3269463
125 CTE 400 YD30°	125	400	2	4,188	3269467	5,152	3269468	6,117	3269469
125 CTE 500 YD30°	125	500	2	5,019	3269473	6,123	3269474	7,227	3269475
125 CTE 600 YD30°	125	600	2	5,944	3269479	7,186	3269480	8,428	3269481
150 CTE 200 YD30°	150	200	2	3,144	3269485	3,900	3269486	4,656	3269487
150 CTE 250 YD30°	150	250	2	3,467	3269491	4,293	3269492	5,118	3269493
150 CTE 300 YD30°	150	300	2	3,814	3269497	4,709	3269498	5,605	3269499
150 CTE 400 YD30°	150	400	2	4,576	3269503	5,610	3269504	6,644	3269505
150 CTE 500 YD30°	150	500	2	5,431	3269509	6,604	3269510	7,777	3269511
150 CTE 600 YD30°	150	600	2	6,379	3269515	7,690	3269516	9,002	3269517



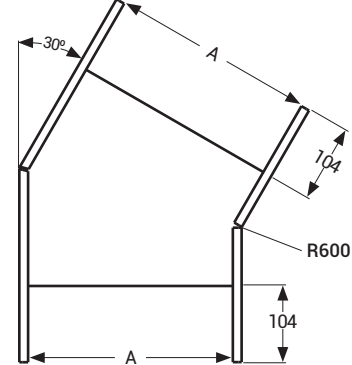
R300



R450



R600



CT

■ Please contact us for special dimensions.
 ■ Material weights may vary by ± 10%

■ Please indicate order code in your orders.
 ■ All dimensions are given as in mm

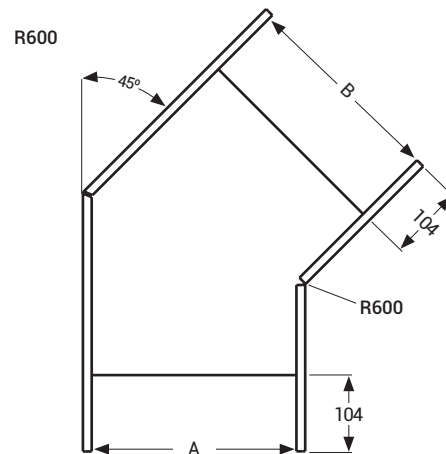
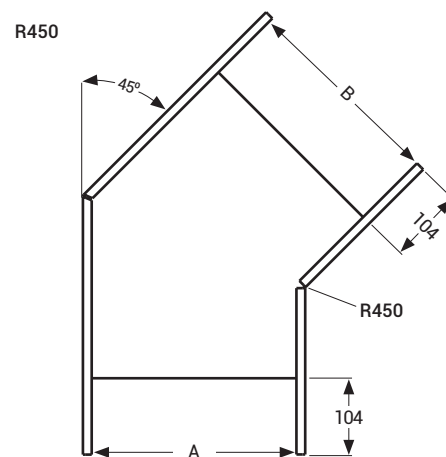
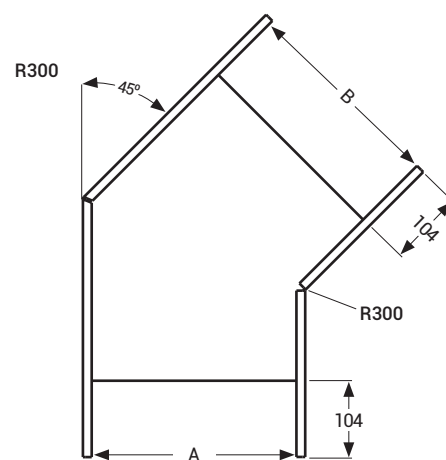
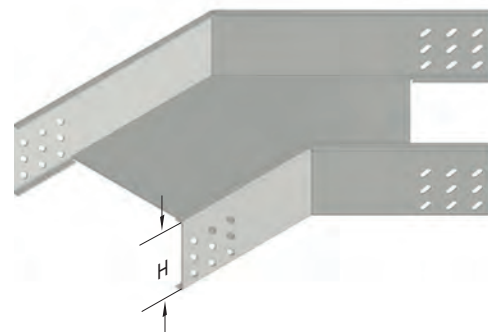
■ PG= Pre-Galvanized
 ■ HDG= Hot Dip Galvanized

►► BENDS

► CTE YD Horizontal 45° Degree Bend (R300, R450, R600)

Hot Dip Galvanized (TS EN ISO 1461)

Description	H (mm)	AB (mm)	T (mm)	R300		R450		R600	
				Weight (kg/pcs)	HDG Code	Weight (kg/pcs)	HDG Code	Weight (kg/pcs)	HDG Code
040 CTE 050 YD45°	40	50	2	1,238	3006965	1,613	3007007	1,988	3007049
040 CTE 100 YD45°	40	100	2	1,552	3006966	2,034	3007008	2,517	3007050
040 CTE 150 YD45°	40	150	2	1,902	3006967	2,492	3007009	3,081	3007051
040 CTE 200 YD45°	40	200	2	2,287	3006968	2,984	3007010	3,682	3007052
040 CTE 250 YD45°	40	250	2	2,708	3006969	3,512	3007011	4,318	3007053
040 CTE 300 YD45°	40	300	2	3,166	3006970	4,077	3007012	4,989	3007054
040 CTE 400 YD45°	40	400	2	4,187	3006971	5,313	3007013	6,439	3007055
040 CTE 500 YD45°	40	500	2	5,352	3006972	6,692	3007014	8,033	3007056
040 CTE 600 YD45°	40	600	2	6,658	3006973	8,215	3007015	9,770	3007057
050 CTE 050 YD45°	50	50	2	1,404	3006974	1,822	3007016	2,240	3007058
050 CTE 100 YD45°	50	100	2	1,725	3006975	2,250	3007017	2,775	3007059
050 CTE 150 YD45°	50	150	2	2,081	3006976	2,714	3007018	3,346	3007060
050 CTE 200 YD45°	50	200	2	2,474	3006977	3,214	3007019	3,955	3007061
050 CTE 250 YD45°	50	250	2	2,902	3006978	3,750	3007020	4,597	3007062
050 CTE 300 YD45°	50	300	2	3,366	3006979	4,321	3007021	5,276	3007063
050 CTE 400 YD45°	50	400	2	4,402	3006980	5,572	3007022	6,741	3007064
050 CTE 500 YD45°	50	500	2	5,581	3006981	6,965	3007023	8,349	3007065
050 CTE 600 YD45°	50	600	2	6,903	3006982	8,501	3007024	10,100	3007066
060 CTE 100 YD45°	60	100	2	1,896	3006983	2,465	3007025	3,034	3007067
060 CTE 150 YD45°	60	150	2	2,261	3006984	2,937	3007026	3,612	3007068
060 CTE 200 YD45°	60	200	2	2,661	3006985	3,444	3007027	4,226	3007069
060 CTE 250 YD45°	60	250	2	3,097	3006986	3,986	3007028	4,877	3007070
060 CTE 300 YD45°	60	300	2	3,567	3006987	4,565	3007029	5,563	3007071
060 CTE 400 YD45°	60	400	2	4,618	3006988	5,830	3007030	7,042	3007072
060 CTE 500 YD45°	60	500	2	5,811	3006989	7,238	3007031	8,665	3007073
060 CTE 600 YD45°	60	600	2	7,147	3006990	8,788	3007032	10,430	3007074
075 CTE 100 YD45°	75	100	2	2,132	3006991	2,765	3007033	3,398	3007075
075 CTE 150 YD45°	75	150	2	2,507	3006992	3,247	3007034	3,988	3007076
075 CTE 200 YD45°	75	200	2	2,917	3006993	3,765	3007035	4,612	3007077
075 CTE 250 YD45°	75	250	2	3,364	3006994	4,319	3007036	5,273	3007078
075 CTE 300 YD45°	75	300	2	3,846	3006995	4,908	3007037	5,970	3007079
075 CTE 400 YD45°	75	400	2	4,917	3006996	6,194	3007038	7,470	3007080
075 CTE 500 YD45°	75	500	2	6,133	3006997	7,623	3007039	9,115	3007081
075 CTE 600 YD45°	75	600	2	7,490	3006998	9,195	3007040	10,901	3007082
100 CTE 100 YD45°	100	100	2	2,540	3006999	3,280	3007041	4,021	3007083
100 CTE 150 YD45°	100	150	2	2,933	3007000	3,780	3007042	4,628	3007084
100 CTE 200 YD45°	100	200	2	3,362	3007001	4,315	3007043	5,270	3007085
100 CTE 250 YD45°	100	250	2	3,826	3007002	4,887	3007044	5,949	3007086
100 CTE 300 YD45°	100	300	2	4,325	3007003	5,495	3007045	6,664	3007087
100 CTE 400 YD45°	100	400	2	5,433	3007004	6,817	3007046	8,201	3007088
100 CTE 500 YD45°	100	500	2	6,683	3007005	8,282	3007047	9,880	3007089
100 CTE 600 YD45°	100	600	2	8,076	3007006	9,889	3007048	11,703	3007090
125 CTE 150 YD45°	125	150	2	3,358	3003373	4,313	3003386	5,268	3003399
125 CTE 200 YD45°	125	200	2	3,805	3003374	4,866	3003387	5,929	3003400
125 CTE 250 YD45°	125	250	2	4,287	3003375	5,456	3003388	6,625	3003401
125 CTE 300 YD45°	125	300	2	4,805	3003376	6,081	3003389	7,358	3003402
125 CTE 400 YD45°	125	400	2	5,948	3003377	7,439	3003390	8,930	3003403
125 CTE 500 YD45°	125	500	2	7,234	3003378	8,940	3003391	10,646	3003404
125 CTE 600 YD45°	125	600	2	8,663	3003379	10,583	3003392	12,504	3003405
150 CTE 200 YD45°	150	200	2	4,248	3003380	5,418	3003393	6,587	3003406
150 CTE 250 YD45°	150	250	2	4,749	3003381	6,025	3003394	7,302	3003407
150 CTE 300 YD45°	150	300	2	5,284	3003382	6,668	3003395	8,052	3003408
150 CTE 400 YD45°	150	400	2	6,463	3003383	8,062	3003396	9,660	3003409
150 CTE 500 YD45°	150	500	2	7,785	3003384	9,598	3003397	11,411	3003410
150 CTE 600 YD45°	150	600	2	9,250	3003385	11,277	3003398	13,306	3003411



■ Please contact us for special dimensions.
■ Material weights may vary by ± 10%

■ Please indicate order code in your orders.
■ All dimensions are given as in mm

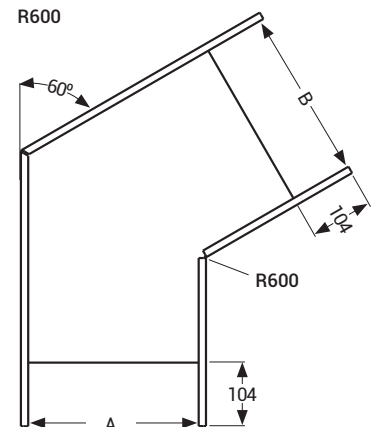
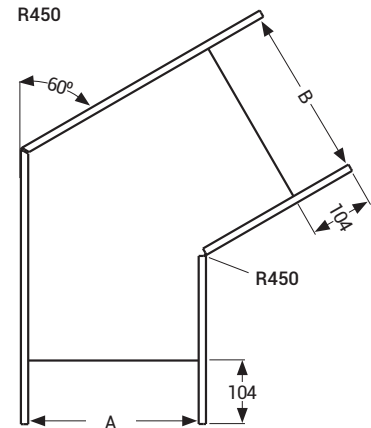
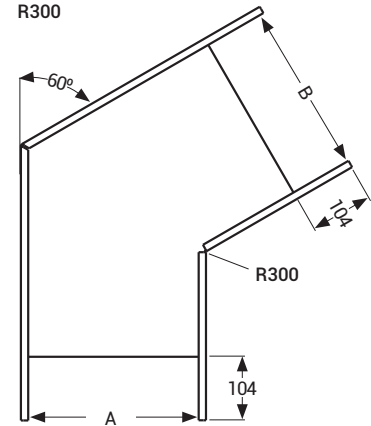
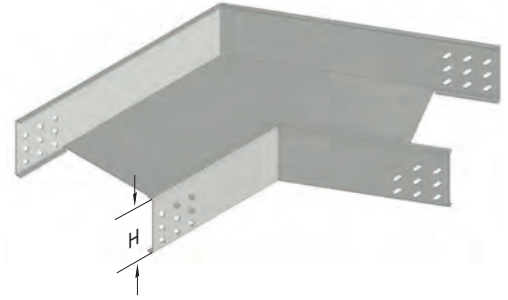
■ PG= Pre-Galvanized
■ HDG= Hot Dip Galvanized

►► BENDS

► CTE YD 60° Horizontal Degree Bend (R300, R450, R600)

Hot Dip Galvanized (TS EN ISO 1461)

Description	H (mm)	AB (mm)	T (mm)	R300		R450		R600	
				Weight (kg/pcs)	HDG Code	Weight (kg/pcs)	HDG Code	Weight (kg/pcs)	HDG Code
040 CTE 050 YD60°	40	50	2	1,559	3269194	2,081	3269195	2,605	3269196
040 CTE 100 YD60°	40	100	2	1,997	3269200	2,669	3269201	3,341	3269202
040 CTE 150 YD60°	40	150	2	2,484	3269206	3,306	3269207	4,128	3269208
040 CTE 200 YD60°	40	200	2	3,021	3269212	3,993	3269213	4,964	3269214
040 CTE 250 YD60°	40	250	2	3,608	3269218	4,729	3269219	5,851	3269220
040 CTE 300 YD60°	40	300	2	4,245	3269224	5,517	3269225	6,787	3269226
040 CTE 400 YD60°	40	400	2	5,668	3269230	7,239	3269231	8,809	3269232
040 CTE 500 YD60°	40	500	2	7,292	3269236	9,161	3269237	11,030	3269238
040 CTE 600 YD60°	40	600	2	9,115	3269242	11,283	3269243	13,451	3269244
050 CTE 050 YD60°	50	50	2	1,761	3269248	2,343	3269249	2,926	3269250
050 CTE 100 YD60°	50	100	2	2,208	3269254	2,940	3269255	3,673	3269256
050 CTE 150 YD60°	50	150	2	2,706	3269260	3,588	3269261	4,469	3269262
050 CTE 200 YD60°	50	200	2	3,253	3269266	4,285	3269267	5,316	3269268
050 CTE 250 YD60°	50	250	2	3,850	3269272	5,031	3269273	6,213	3269274
050 CTE 300 YD60°	50	300	2	4,497	3269278	5,828	3269279	7,159	3269280
050 CTE 400 YD60°	50	400	2	5,941	3269284	7,570	3269285	9,200	3269286
050 CTE 500 YD60°	50	500	2	7,583	3269290	9,513	3269291	11,442	3269292
050 CTE 600 YD60°	50	600	2	9,426	3269296	11,655	3269297	13,882	3269298
060 CTE 100 YD60°	60	100	2	2,420	3269302	3,213	3269303	4,005	3269304
060 CTE 150 YD60°	60	150	2	2,928	3269308	3,870	3269309	4,811	3269310
060 CTE 200 YD60°	60	200	2	3,485	3269314	4,576	3269315	5,668	3269316
060 CTE 250 YD60°	60	250	2	4,092	3269320	5,333	3269321	6,575	3269322
060 CTE 300 YD60°	60	300	2	4,750	3269326	6,140	3269327	7,531	3269328
060 CTE 400 YD60°	60	400	2	6,213	3269332	7,902	3269333	9,592	3269334
060 CTE 500 YD60°	60	500	2	7,876	3269338	9,865	3269339	11,854	3269340
060 CTE 600 YD60°	60	600	2	9,738	3269344	12,026	3269345	14,314	3269346
075 CTE 100 YD60°	75	100	2	2,715	3269350	3,597	3269351	4,479	3269352
075 CTE 150 YD60°	75	150	2	3,237	3269356	4,269	3269357	5,301	3269358
075 CTE 200 YD60°	75	200	2	3,809	3269362	4,991	3269363	6,172	3269364
075 CTE 250 YD60°	75	250	2	4,432	3269368	5,763	3269369	7,093	3269370
075 CTE 300 YD60°	75	300	2	5,104	3269374	6,585	3269375	8,064	3269376
075 CTE 400 YD60°	75	400	2	6,598	3269380	8,377	3269381	10,156	3269382
075 CTE 500 YD60°	75	500	2	8,291	3269386	10,369	3269387	12,448	3269388
075 CTE 600 YD60°	75	600	2	10,183	3269392	12,560	3269393	14,938	3269394
100 CTE 100 YD60°	100	100	2	3,222	3269398	4,254	3269399	5,286	3269400
100 CTE 150 YD60°	100	150	2	3,770	3269404	4,951	3269405	6,131	3269406
100 CTE 200 YD60°	100	200	2	4,367	3269410	5,697	3269411	7,028	3269412
100 CTE 250 YD60°	100	250	2	5,014	3269416	6,494	3269417	7,974	3269418
100 CTE 300 YD60°	100	300	2	5,710	3269422	7,340	3269423	8,971	3269424
100 CTE 400 YD60°	100	400	2	7,253	3269428	9,183	3269429	11,112	3269430
100 CTE 500 YD60°	100	500	2	8,997	3269434	11,224	3269435	13,453	3269436
100 CTE 600 YD60°	100	600	2	10,938	3269440	13,466	3269441	15,993	3269442
125 CTE 150 YD60°	125	150	2	4,301	3269446	5,632	3269447	6,963	3269448
125 CTE 200 YD60°	125	200	2	4,924	3269452	6,404	3269453	7,884	3269454
125 CTE 250 YD60°	125	250	2	5,596	3269458	7,225	3269459	8,855	3269460
125 CTE 300 YD60°	125	300	2	6,317	3269464	8,097	3269465	9,876	3269466
125 CTE 400 YD60°	125	400	2	7,910	3269470	9,989	3269471	12,067	3269472
125 CTE 500 YD60°	125	500	2	9,703	3269476	12,080	3269477	14,458	3269478
125 CTE 600 YD60°	125	600	2	11,695	3269482	14,372	3269483	17,049	3269484
150 CTE 200 YD60°	150	200	2	5,480	3269488	7,110	3269489	8,740	3269490
150 CTE 250 YD60°	150	250	2	6,178	3269494	7,956	3269495	9,736	3269496
150 CTE 300 YD60°	150	300	2	6,923	3269500	8,853	3269501	10,782	3269502
150 CTE 400 YD60°	150	400	2	8,567	3269506	10,795	3269507	13,023	3269508
150 CTE 500 YD60°	150	500	2	10,409	3269512	12,937	3269513	15,464	3269514
150 CTE 600 YD60°	150	600	2	12,451	3269518	15,278	3269519	18,104	3269520



■ Please contact us for special dimensions.
■ Material weights may vary by ± 10%

■ Please indicate order code in your orders.
■ All dimensions are given as in mm

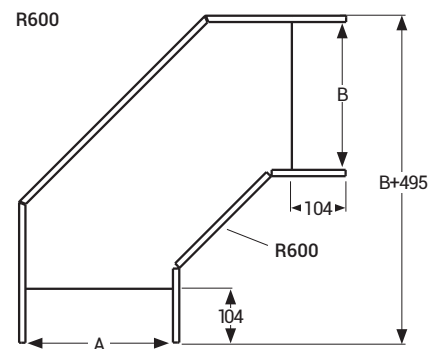
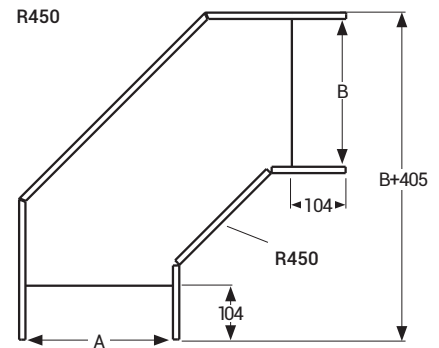
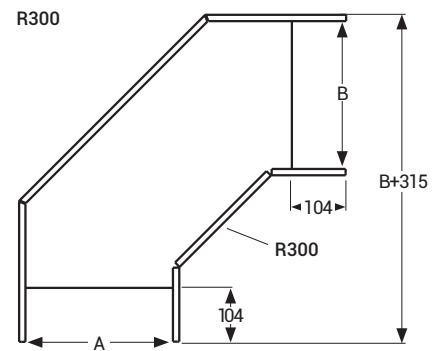
■ PG= Pre-Galvanized
■ HDG= Hot Dip Galvanized

BENDS

CTE YD Horizontal 90° Degree Bend (R300, R450, R600)

Hot Dip Galvanized (TS EN ISO 1461)

Description	H (mm)	AB (mm)	T (mm)	R300		R450		R600	
				Weight (kg/pcs)	HDG Code	Weight (kg/pcs)	HDG Code	Weight (kg/pcs)	HDG Code
040 CTE 050 YD90°	40	50	2	1,528	3002500	1,903	3002542	2,278	3002584
040 CTE 100 YD90°	40	100	2	2,009	3002501	2,490	3002543	2,973	3002585
040 CTE 150 YD90°	40	150	2	2,560	3002502	3,149	3002544	3,740	3002586
040 CTE 200 YD90°	40	200	2	3,183	3002503	3,881	3002545	4,577	3002587
040 CTE 250 YD90°	40	250	2	3,879	3002504	4,683	3002546	5,487	3002588
040 CTE 300 YD90°	40	300	2	4,644	3002505	5,556	3002547	6,468	3002589
040 CTE 400 YD90°	40	400	2	6,392	3002506	7,519	3002548	8,645	3002590
040 CTE 500 YD90°	40	500	2	8,426	3002507	9,767	3002549	11,108	3002591
040 CTE 600 YD90°	40	600	2	10,746	3002508	12,301	3002550	13,857	3002592
050 CTE 050 YD90°	50	50	2	1,726	3002509	2,144	3002551	2,563	3002593
050 CTE 100 YD90°	50	100	2	2,221	3002510	2,747	3002552	3,271	3002594
050 CTE 150 YD90°	50	150	2	2,787	3002511	3,420	3002553	4,052	3002595
050 CTE 200 YD90°	50	200	2	3,424	3002512	4,165	3002554	4,905	3002596
050 CTE 250 YD90°	50	250	2	4,134	3002513	4,981	3002555	5,829	3002597
050 CTE 300 YD90°	50	300	2	4,915	3002514	5,870	3002556	6,824	3002598
050 CTE 400 YD90°	50	400	2	6,690	3002515	7,860	3002557	9,029	3002599
050 CTE 500 YD90°	50	500	2	8,753	3002516	10,137	3002558	11,520	3002600
050 CTE 600 YD90°	50	600	2	11,101	3002517	12,700	3002559	14,298	3002601
060 CTE 100 YD90°	60	100	2	2,433	3002518	3,002	3002560	3,571	3002602
060 CTE 150 YD90°	60	150	2	3,014	3002519	3,689	3002561	4,366	3002603
060 CTE 200 YD90°	60	200	2	3,666	3002520	4,450	3002562	5,232	3002604
060 CTE 250 YD90°	60	250	2	4,389	3002521	5,280	3002563	6,170	3002605
060 CTE 300 YD90°	60	300	2	5,184	3002522	6,182	3002564	7,180	3002606
060 CTE 400 YD90°	60	400	2	6,989	3002523	8,202	3002565	9,414	3002607
060 CTE 500 YD90°	60	500	2	9,081	3002524	10,507	3002566	11,934	3002608
060 CTE 600 YD90°	60	600	2	11,458	3002525	13,099	3002567	14,740	3002609
075 CTE 100 YD90°	75	100	2	2,730	3002526	3,363	3002568	3,995	3002610
075 CTE 150 YD90°	75	150	2	3,332	3002527	4,072	3002569	4,813	3002611
075 CTE 200 YD90°	75	200	2	4,005	3002528	4,853	3002570	5,700	3002612
075 CTE 250 YD90°	75	250	2	4,751	3002529	5,706	3002571	6,659	3002613
075 CTE 300 YD90°	75	300	2	5,567	3002530	6,629	3002572	7,691	3002614
075 CTE 400 YD90°	75	400	2	7,415	3002531	8,691	3002573	9,968	3002615
075 CTE 500 YD90°	75	500	2	9,548	3002532	11,040	3002574	12,531	3002616
075 CTE 600 YD90°	75	600	2	11,968	3002533	13,674	3002575	15,380	3002617
100 CTE 100 YD90°	100	100	2	3,240	3002534	3,980	3002576	4,720	3002618
100 CTE 150 YD90°	100	150	2	3,878	3002535	4,725	3002577	5,572	3002619
100 CTE 200 YD90°	100	200	2	4,587	3002536	5,541	3002578	6,496	3002620
100 CTE 250 YD90°	100	250	2	5,367	3002537	6,430	3002579	7,491	3002621
100 CTE 300 YD90°	100	300	2	6,219	3002538	7,389	3002580	8,558	3002622
100 CTE 400 YD90°	100	400	2	8,139	3002539	9,523	3002581	10,907	3002623
100 CTE 500 YD90°	100	500	2	10,344	3002540	11,943	3002582	13,541	3002624
100 CTE 600 YD90°	100	600	2	12,836	3002541	14,649	3002583	16,462	3002625
125 CTE 150 YD90°	125	150	2	4,422	3003425	5,377	3003438	6,331	3003451
125 CTE 200 YD90°	125	200	2	5,167	3003426	6,228	3003439	7,291	3003452
125 CTE 250 YD90°	125	250	2	5,983	3003427	7,152	3003440	8,322	3003453
125 CTE 300 YD90°	125	300	2	6,872	3003428	8,148	3003441	9,425	3003454
125 CTE 400 YD90°	125	400	2	8,862	3003429	10,353	3003442	11,844	3003455
125 CTE 500 YD90°	125	500	2	11,139	3003430	12,845	3003443	14,550	3003456
125 CTE 600 YD90°	125	600	2	13,702	3003431	15,622	3003444	17,543	3003457
150 CTE 200 YD90°	150	200	2	5,749	3003432	6,918	3003445	8,087	3003458
150 CTE 250 YD90°	150	250	2	6,601	3003433	7,877	3003446	9,154	3003459
150 CTE 300 YD90°	150	300	2	7,524	3003434	8,908	3003447	10,292	3003460
150 CTE 400 YD90°	150	400	2	9,587	3003435	11,185	3003448	12,783	3003461
150 CTE 500 YD90°	150	500	2	11,935	3003436	13,748	3003449	15,561	3003462
150 CTE 600 YD90°	150	600	2	14,570	3003437	16,597	3003450	18,625	3003463



■ Please contact us for special dimensions.
 ■ Material weights may vary by ± 10%

■ Please indicate order code in your orders.
 ■ All dimensions are given as in mm

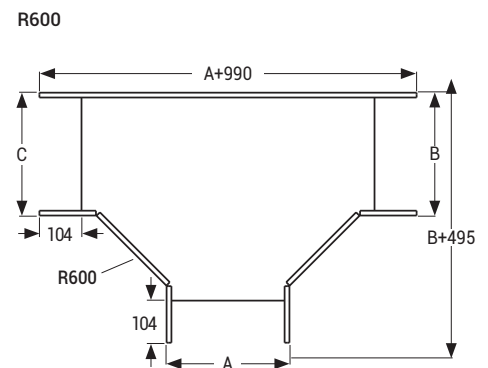
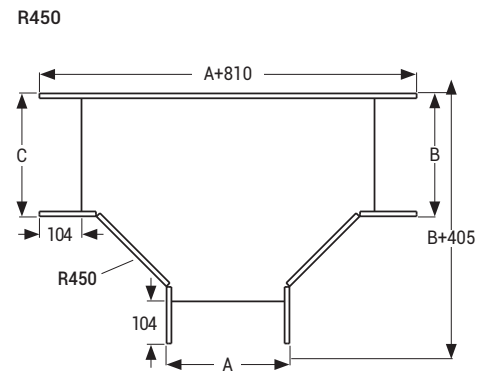
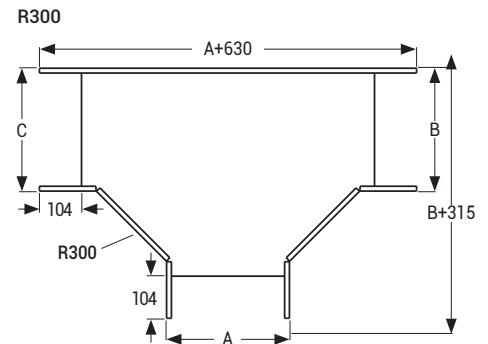
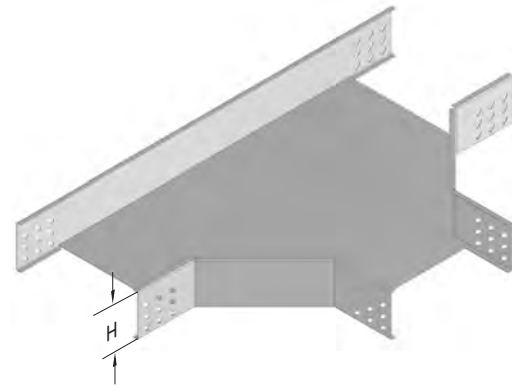
■ PG= Pre-Galvanized
 ■ HDG= Hot Dip Galvanized

►► BENDS

► CTE YT Tee Bend (R300, R450, R600)

Hot Dip Galvanized (TS EN ISO 1461)

Description	H (mm)	ABC (mm)	T (mm)	R300		R450		R600	
				Weight (kg/pcs)	HDG Code	Weight (kg/pcs)	HDG Code	Weight (kg/pcs)	HDG Code
040 CTE 050 YT	40	50	2	2,988	3002626	4,344	3002668	5,968	3002710
040 CTE 100 YT	40	100	2	3,727	3002627	5,311	3002669	7,161	3002711
040 CTE 150 YT	40	150	2	4,552	3002628	6,364	3002670	8,441	3002712
040 CTE 200 YT	40	200	2	5,464	3002629	7,503	3002671	9,809	3002713
040 CTE 250 YT	40	250	2	6,461	3002630	8,729	3002672	11,262	3002714
040 CTE 300 YT	40	300	2	7,546	3002631	10,040	3002673	12,801	3002715
040 CTE 400 YT	40	400	2	9,974	3002632	12,923	3002674	16,139	3002716
040 CTE 500 YT	40	500	2	12,747	3002633	16,151	3002675	19,823	3002717
040 CTE 600 YT	40	600	2	15,864	3002634	19,725	3002676	23,851	3002718
050 CTE 050 YT	50	50	2	3,290	3002635	4,719	3002677	6,415	3002719
050 CTE 100 YT	50	100	2	4,037	3002636	5,695	3002678	7,619	3002720
050 CTE 150 YT	50	150	2	4,871	3002637	6,756	3002679	8,908	3002721
050 CTE 200 YT	50	200	2	5,792	3002638	7,904	3002680	10,283	3002722
050 CTE 250 YT	50	250	2	6,798	3002639	9,138	3002681	11,745	3002723
050 CTE 300 YT	50	300	2	7,890	3002640	10,459	3002682	13,292	3002724
050 CTE 400 YT	50	400	2	10,336	3002641	13,358	3002683	16,649	3002725
050 CTE 500 YT	50	500	2	13,126	3002642	16,603	3002684	20,349	3002726
050 CTE 600 YT	50	600	2	16,261	3002643	20,195	3002685	24,395	3002727
060 CTE 100 YT	60	100	2	4,348	3002644	6,079	3002686	8,075	3002728
060 CTE 150 YT	60	150	2	5,190	3002645	7,149	3002687	9,373	3002729
060 CTE 200 YT	60	200	2	6,119	3002646	8,305	3002688	10,757	3002730
060 CTE 250 YT	60	250	2	7,135	3002647	9,548	3002689	12,228	3002731
060 CTE 300 YT	60	300	2	8,236	3002648	10,877	3002690	13,784	3002732
060 CTE 400 YT	60	400	2	10,698	3002649	13,794	3002691	17,157	3002733
060 CTE 500 YT	60	500	2	13,506	3002650	17,057	3002692	20,875	3002734
060 CTE 600 YT	60	600	2	16,658	3002651	20,654	3002693	24,938	3002735
075 CTE 100 YT	75	100	2	4,780	3002652	6,620	3002694	8,727	3002736
075 CTE 150 YT	75	150	2	5,635	3002653	7,703	3002695	10,038	3002737
075 CTE 200 YT	75	200	2	6,577	3002654	8,873	3002696	11,435	3002738
075 CTE 250 YT	75	250	2	7,605	3002655	10,129	3002697	12,918	3002739
075 CTE 300 YT	75	300	2	8,720	3002656	11,471	3002698	14,488	3002740
075 CTE 400 YT	75	400	2	11,208	3002657	14,413	3002699	17,886	3002741
075 CTE 500 YT	75	500	2	14,040	3002658	17,702	3002700	21,630	3002742
075 CTE 600 YT	75	600	2	17,219	3002659	21,325	3002701	25,719	3002743
100 CTE 100 YT	100	100	2	5,522	3002660	7,546	3002702	9,836	3002744
100 CTE 150 YT	100	150	2	6,400	3002661	8,650	3002703	11,168	3002745
100 CTE 200 YT	100	200	2	7,362	3002662	9,842	3002704	12,587	3002746
100 CTE 250 YT	100	250	2	8,413	3002663	11,119	3002705	14,092	3002747
100 CTE 300 YT	100	300	2	9,548	3002664	12,483	3002706	15,683	3002748
100 CTE 400 YT	100	400	2	12,079	3002665	15,468	3002707	19,125	3002749
100 CTE 500 YT	100	500	2	14,956	3002666	18,800	3002708	22,912	3002750
100 CTE 600 YT	100	600	2	18,178	3002667	22,477	3002709	27,045	3002751
125 CTE 150 YT	125	150	2	7,163	3003477	9,598	3003490	12,299	3003503
125 CTE 200 YT	125	200	2	8,148	3003478	10,810	3003491	13,739	3003504
125 CTE 250 YT	125	250	2	9,219	3003479	12,109	3003492	15,266	3003505
125 CTE 300 YT	125	300	2	10,377	3003480	13,495	3003493	16,878	3003506
125 CTE 400 YT	125	400	2	12,951	3003481	16,524	3003494	20,363	3003507
125 CTE 500 YT	125	500	2	15,871	3003482	19,899	3003495	24,193	3003508
125 CTE 600 YT	125	600	2	19,137	3003483	23,619	3003496	28,369	3003509
150 CTE 200 YT	150	200	2	8,934	3003484	11,779	3003497	14,891	3003510
150 CTE 250 YT	150	250	2	10,027	3003485	13,100	3003498	16,438	3003511
150 CTE 300 YT	150	300	2	11,206	3003486	14,507	3003499	18,073	3003512
150 CTE 400 YT	150	400	2	13,824	3003487	17,579	3003500	21,602	3003513
150 CTE 500 YT	150	500	2	16,786	3003488	20,997	3003501	25,475	3003514
150 CTE 600 YT	150	600	2	20,095	3003489	24,761	3003502	29,693	3003515

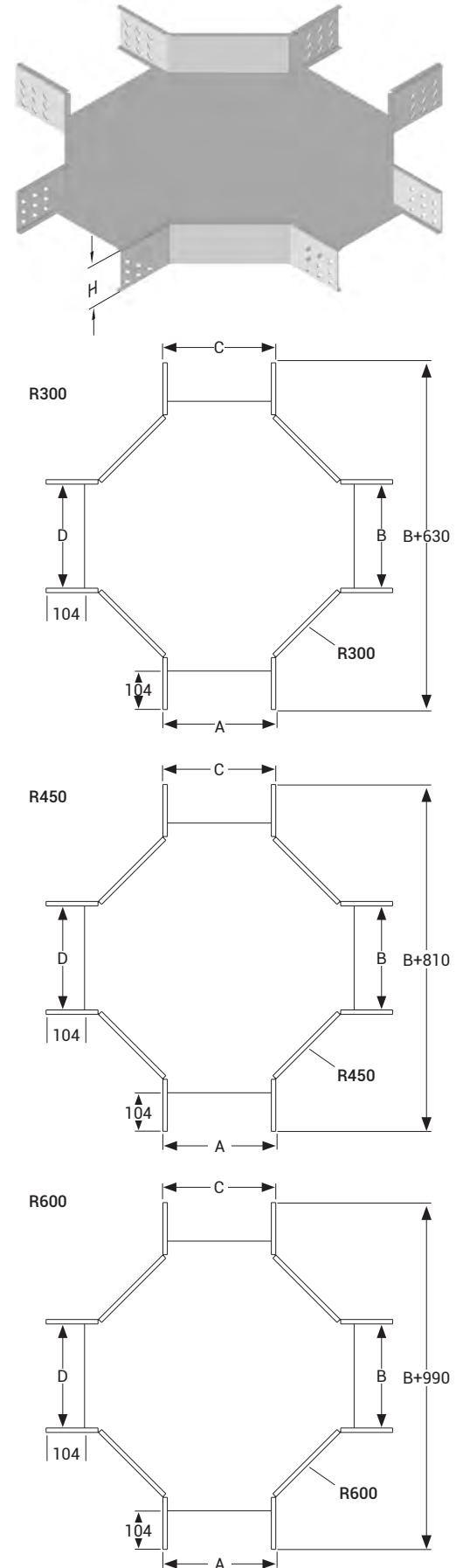


■ Please contact us for special dimensions.
 ■ Material weights may vary by ± 10%

■ Please indicate order code in your orders.
 ■ All dimensions are given as in mm

■ PG= Pre-Galvanized
 ■ HDG= Hot Dip Galvanized

Description	H (mm)	ABCD (mm)	T (mm)	R300		R450		R600	
				Weight (kg/pcs)	HDG Code	Weight (kg/pcs)	HDG Code	Weight (kg/pcs)	HDG Code
040 CTE 050 AD	40	50	2	4,100	3002752	6,279	3002794	8,990	3002836
040 CTE 100 AD	40	100	2	5,925	3002753	8,711	3002796	10,467	3002837
040 CTE 150 AD	40	150	2	4,969	3002754	7,451	3002795	12,030	3002838
040 CTE 200 AD	40	200	2	6,967	3002755	10,056	3002797	13,679	3002839
040 CTE 250 AD	40	250	2	8,096	3002756	11,488	3002798	15,414	3002840
040 CTE 300 AD	40	300	2	9,310	3002757	13,006	3002799	17,237	3002841
040 CTE 400 AD	40	400	2	12,000	3002758	16,303	3002800	21,140	3002842
040 CTE 500 AD	40	500	2	15,034	3002759	19,944	3002801	25,388	3002843
040 CTE 600 AD	40	600	2	18,413	3002760	23,931	3002802	29,982	3002844
050 CTE 050 AD	50	50	2	4,466	3002761	6,731	3002803	9,529	3002845
050 CTE 100 AD	50	100	2	5,336	3002762	7,904	3002804	11,006	3002846
050 CTE 150 AD	50	150	2	6,291	3002763	9,163	3002805	12,569	3002847
050 CTE 200 AD	50	200	2	7,334	3002764	10,508	3002806	14,218	3002848
050 CTE 250 AD	50	250	2	8,462	3002765	11,941	3002807	15,953	3002849
050 CTE 300 AD	50	300	2	9,677	3002766	13,460	3002808	17,775	3002850
050 CTE 400 AD	50	400	2	12,366	3002767	16,755	3002809	21,678	3002851
050 CTE 500 AD	50	500	2	15,400	3002768	20,396	3002810	25,926	3002852
050 CTE 600 AD	50	600	2	18,780	3002769	24,383	3002811	30,520	3002853
060 CTE 100 AD	60	100	2	5,702	3002770	8,356	3002812	11,543	3002854
060 CTE 150 AD	60	150	2	6,658	3002771	9,615	3002813	13,107	3002855
060 CTE 200 AD	60	200	2	7,700	3002772	10,962	3002814	14,755	3002856
060 CTE 250 AD	60	250	2	8,829	3002773	12,394	3002815	16,491	3002857
060 CTE 300 AD	60	300	2	10,044	3002774	13,912	3002816	18,313	3002858
060 CTE 400 AD	60	400	2	12,733	3002775	17,207	3002817	22,216	3002859
060 CTE 500 AD	60	500	2	15,766	3002776	20,848	3002818	26,464	3002860
060 CTE 600 AD	60	600	2	19,147	3002777	24,836	3002819	31,057	3002861
075 CTE 100 AD	75	100	2	6,207	3002778	8,990	3002820	12,306	3002862
075 CTE 150 AD	75	150	2	7,163	3002779	10,249	3002821	13,869	3002863
075 CTE 200 AD	75	200	2	8,205	3002780	11,595	3002822	15,518	3002864
075 CTE 250 AD	75	250	2	9,334	3002781	13,027	3002823	17,254	3002865
075 CTE 300 AD	75	300	2	10,549	3002782	14,545	3002824	19,075	3002866
075 CTE 400 AD	75	400	2	13,237	3002783	17,841	3002825	22,978	3002867
075 CTE 500 AD	75	500	2	16,271	3002784	21,482	3002826	27,226	3002868
075 CTE 600 AD	75	600	2	19,652	3002785	25,469	3002827	31,820	3002869
100 CTE 100 AD	100	100	2	7,079	3002786	10,076	3002828	13,607	3002870
100 CTE 150 AD	100	150	2	8,034	3002787	11,336	3002829	15,169	3002871
100 CTE 200 AD	100	200	2	9,076	3002788	12,681	3002830	16,819	3002872
100 CTE 250 AD	100	250	2	10,205	3002789	14,113	3002831	18,554	3002873
100 CTE 300 AD	100	300	2	11,420	3002790	15,631	3002832	20,376	3002874
100 CTE 400 AD	100	400	2	14,109	3002791	18,927	3002833	24,279	3002875
100 CTE 500 AD	100	500	2	17,144	3002792	22,569	3002834	28,527	3002876
100 CTE 600 AD	100	600	2	20,523	3002793	26,555	3002835	33,121	3002877
125 CTE 150 AD	125	150	2	8,906	3003529	12,421	3003542	16,470	3003555
125 CTE 200 AD	125	200	2	9,948	3003530	13,767	3003543	18,119	3003556
125 CTE 250 AD	125	250	2	11,076	3003531	15,199	3003544	19,855	3003557
125 CTE 300 AD	125	300	2	12,291	3003532	16,717	3003545	21,677	3003558
125 CTE 400 AD	125	400	2	14,980	3003533	20,013	3003546	25,579	3003559
125 CTE 500 AD	125	500	2	18,015	3003534	23,654	3003547	29,828	3003560
125 CTE 600 AD	125	600	2	21,394	3003535	27,641	3003548	34,421	3003561
150 CTE 200 AD	150	200	2	10,820	3003536	14,853	3003549	19,419	3003562
150 CTE 250 AD	150	250	2	11,948	3003537	16,284	3003550	21,155	3003563
150 CTE 300 AD	150	300	2	13,163	3003538	17,804	3003551	22,977	3003564
150 CTE 400 AD	150	400	2	15,851	3003539	21,099	3003552	26,880	3003565
150 CTE 500 AD	150	500	2	18,886	3003540	24,740	3003553	31,128	3003566
150 CTE 600 AD	150	600	2	22,265	3003541	28,727	3003554	35,721	3003567



■ Please contact us for special dimensions.
 ■ Material weights may vary by ± 10%

■ Please indicate order code in your orders.
 ■ All dimensions are given as in mm

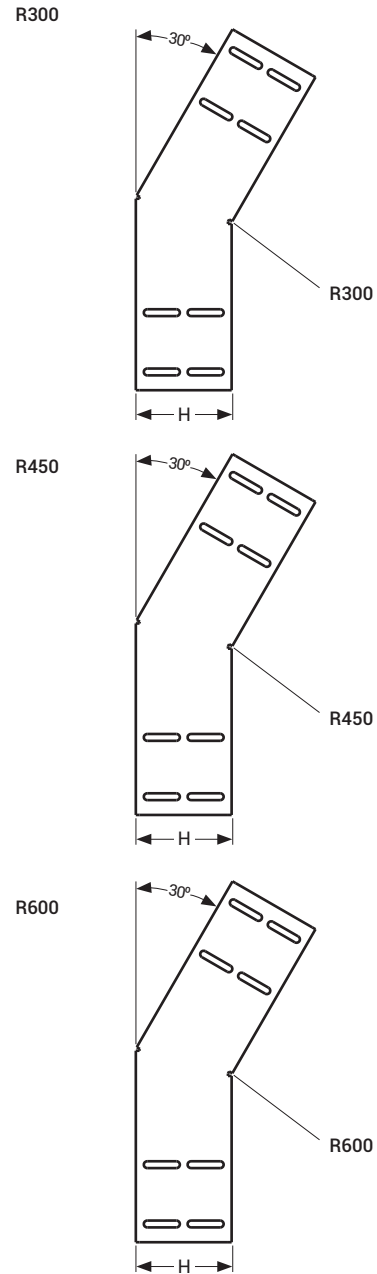
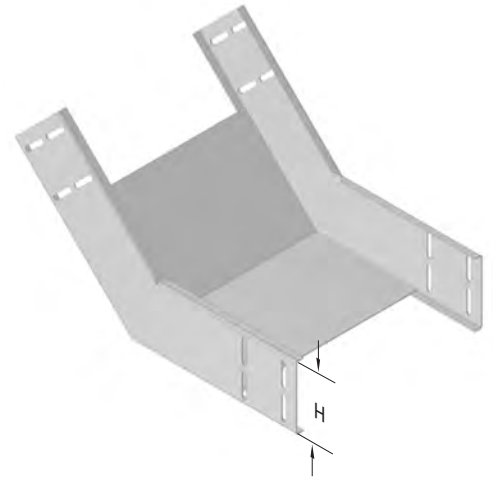
■ PG= Pre-Galvanized
 ■ HDG= Hot Dip Galvanized

►► BENDS

► CTE ID 30° Vertical Inside Bend (R300, R450, R600)

Hot Dip Galvanized (TS EN ISO 1461)

Description	H (mm)	A (mm)	T (mm)	R300		R450		R600	
				Weight (kg/pcs)	HDG Code	Weight (kg/pcs)	HDG Code	Weight (kg/pcs)	HDG Code
040 CTE 050 ID30°	40	50	2	0,926	3268696	1,165	3268750	1,404	3268805
040 CTE 100 ID30°	40	100	2	1,084	3268697	1,392	3268751	1,700	3268806
040 CTE 150 ID30°	40	150	2	1,241	3268698	1,619	3268752	1,997	3268807
040 CTE 200 ID30°	40	200	2	1,398	3268699	1,846	3268753	2,292	3268808
040 CTE 250 ID30°	40	250	2	1,555	3268700	2,072	3268754	2,588	3268809
040 CTE 300 ID30°	40	300	2	1,714	3268701	2,299	3268755	2,884	3268810
040 CTE 400 ID30°	40	400	2	2,028	3268702	2,752	3268756	3,477	3268811
040 CTE 500 ID30°	40	500	2	2,343	3268703	3,205	3268757	4,069	3268812
040 CTE 600 ID30°	40	600	2	2,658	3268695	3,660	3268758	4,662	3268813
050 CTE 050 ID30°	50	50	2	1,059	3268704	1,326	3268759	1,592	3268814
050 CTE 100 ID30°	50	100	2	1,221	3268705	1,557	3268760	1,892	3268815
050 CTE 150 ID30°	50	150	2	1,383	3268706	1,788	3268761	2,193	3268816
050 CTE 200 ID30°	50	200	2	1,544	3268707	2,020	3268762	2,494	3268817
050 CTE 250 ID30°	50	250	2	1,706	3268708	2,251	3268763	2,794	3268818
050 CTE 300 ID30°	50	300	2	1,869	3268709	2,482	3268764	3,095	3268819
050 CTE 400 ID30°	50	400	2	2,192	3268710	2,945	3268765	3,697	3268820
050 CTE 500 ID30°	50	500	2	2,516	3268711	3,407	3268766	4,298	3268821
050 CTE 600 ID30°	50	600	2	2,840	3268712	3,870	3268767	4,899	3268822
060 CTE 100 ID30°	60	100	2	1,360	3268713	1,723	3268768	2,087	3268823
060 CTE 150 ID30°	60	150	2	1,526	3268714	1,959	3268769	2,391	3268824
060 CTE 200 ID30°	60	200	2	1,693	3268715	2,195	3268770	2,697	3268825
060 CTE 250 ID30°	60	250	2	1,859	3268716	2,431	3268771	3,002	3268826
060 CTE 300 ID30°	60	300	2	2,025	3268717	2,666	3268772	3,308	3268827
060 CTE 400 ID30°	60	400	2	2,358	3268718	3,138	3268773	3,918	3268828
060 CTE 500 ID30°	60	500	2	2,692	3268719	3,610	3268774	4,530	3268829
060 CTE 600 ID30°	60	600	2	3,025	3268720	4,082	3268775	5,140	3268830
075 CTE 100 ID30°	75	100	2	1,571	3268721	1,976	3268776	2,380	3268831
075 CTE 150 ID30°	75	150	2	1,744	3268722	2,219	3268777	2,693	3268832
075 CTE 200 ID30°	75	200	2	1,917	3268723	2,462	3268778	3,005	3268833
075 CTE 250 ID30°	75	250	2	2,091	3268724	2,705	3268779	3,318	3268834
075 CTE 300 ID30°	75	300	2	2,265	3268725	2,947	3268780	3,630	3268835
075 CTE 400 ID30°	75	400	2	2,611	3268726	3,433	3268781	4,255	3268836
075 CTE 500 ID30°	75	500	2	2,959	3268727	3,919	3268782	4,880	3268837
075 CTE 600 ID30°	75	600	2	3,306	3268728	4,404	3268783	5,504	3268838
100 CTE 100 ID30°	100	100	2	1,933	3268729	2,408	3268784	2,882	3268839
100 CTE 150 ID30°	100	150	2	2,118	3268730	2,662	3268785	3,207	3268840
100 CTE 200 ID30°	100	200	2	2,303	3268731	2,916	3268786	3,530	3268841
100 CTE 250 ID30°	100	250	2	2,488	3268732	3,171	3268787	3,853	3268842
100 CTE 300 ID30°	100	300	2	2,673	3268733	3,425	3268788	4,178	3268843
100 CTE 400 ID30°	100	400	2	3,044	3268734	3,935	3268789	4,826	3268844
100 CTE 500 ID30°	100	500	2	3,413	3268735	4,443	3268790	5,474	3268845
100 CTE 600 ID30°	100	600	2	3,784	3268736	4,952	3268791	6,122	3268846
125 CTE 150 ID30°	125	150	2	2,506	3268737	3,120	3268792	3,732	3268847
125 CTE 200 ID30°	125	200	2	2,703	3268738	3,385	3268793	4,068	3268848
125 CTE 250 ID30°	125	250	2	2,899	3268739	3,651	3268794	4,403	3268849
125 CTE 300 ID30°	125	300	2	3,095	3268740	3,917	3268795	4,739	3268850
125 CTE 400 ID30°	125	400	2	3,489	3268741	4,450	3268796	5,410	3268851
125 CTE 500 ID30°	125	500	2	3,882	3268742	4,982	3268797	6,081	3268852
125 CTE 600 ID30°	125	600	2	4,276	3268743	5,513	3268798	6,752	3268853
150 CTE 200 ID30°	150	200	2	3,124	3268744	3,875	3268799	4,628	3268854
150 CTE 250 ID30°	150	250	2	3,332	3268745	4,154	3268800	4,975	3268855
150 CTE 300 ID30°	150	300	2	3,540	3268746	4,431	3268801	5,322	3268856
150 CTE 400 ID30°	150	400	2	3,957	3268747	4,986	3268802	6,016	3268857
150 CTE 500 ID30°	150	500	2	4,373	3268748	5,542	3268803	6,710	3268858
150 CTE 600 ID30°	150	600	2	4,789	3268749	6,096	3268804	7,404	3268859



■ Please contact us for special dimensions.
■ Material weights may vary by ± 10%

■ Please indicate order code in your orders.
■ All dimensions are given as in mm

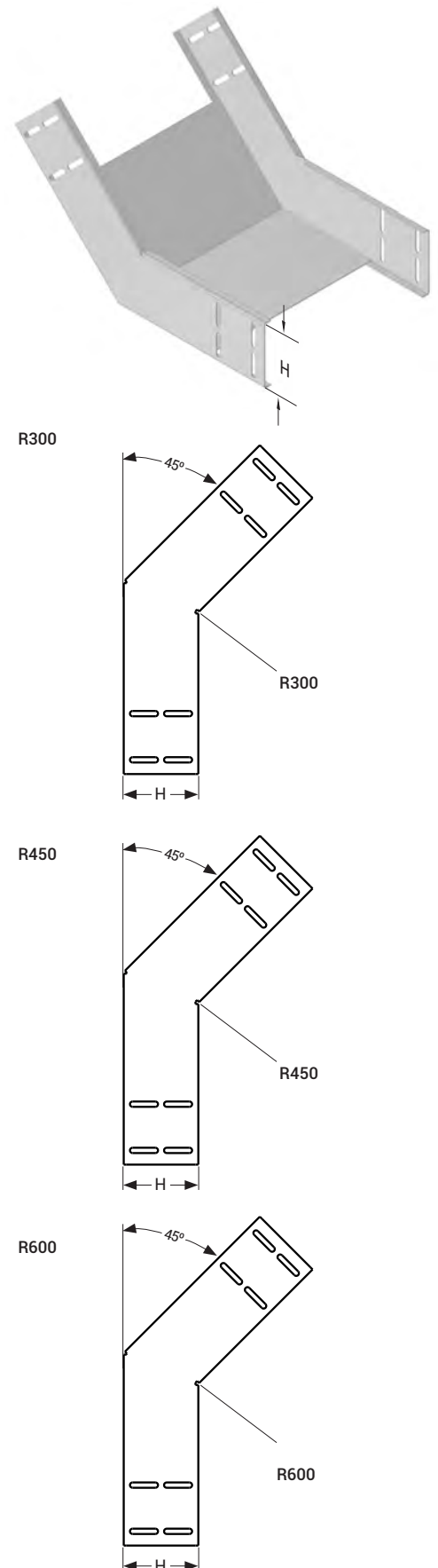
■ PG= Pre-Galvanized
■ HDG= Hot Dip Galvanized

►► BENDS

► CTE ID 45° Vertical Inside Bend (R300, R450, R600)

Hot Dip Galvanized (TS EN ISO 1461)

Description	H (mm)	A (mm)	T (mm)	R300		R450		R600	
				Weight (kg/pcs)	HDG Code	Weight (kg/pcs)	HDG Code	Weight (kg/pcs)	HDG Code
040 CTE 050 ID45°	40	50	2	1,210	3268860	1,579	3268915	1,947	3268970
040 CTE 100 ID45°	40	100	2	1,453	3268861	1,928	3268916	2,405	3268971
040 CTE 150 ID45°	40	150	2	1,696	3268862	2,279	3268917	2,862	3268972
040 CTE 200 ID45°	40	200	2	1,939	3268863	2,630	3268918	3,320	3268973
040 CTE 250 ID45°	40	250	2	2,182	3268864	2,980	3268919	3,779	3268974
040 CTE 300 ID45°	40	300	2	2,457	3268865	3,330	3268920	4,252	3268975
040 CTE 400 ID45°	40	400	2	2,912	3268866	4,032	3268921	5,151	3268976
040 CTE 500 ID45°	40	500	2	3,398	3268867	4,732	3268922	6,067	3268977
040 CTE 600 ID45°	40	600	2	3,884	3268868	5,433	3268923	6,982	3268978
050 CTE 050 ID45°	50	50	2	1,381	3268869	1,792	3268924	2,203	3268979
050 CTE 100 ID45°	50	100	2	1,630	3268870	2,149	3268925	2,669	3268980
050 CTE 150 ID45°	50	150	2	1,881	3268871	2,507	3268926	3,133	3268981
050 CTE 200 ID45°	50	200	2	2,131	3268872	2,864	3268927	3,598	3268982
050 CTE 250 ID45°	50	250	2	2,382	3268873	3,222	3268928	4,063	3268983
050 CTE 300 ID45°	50	300	2	2,664	3268874	3,579	3268929	4,578	3268984
050 CTE 400 ID45°	50	400	2	3,132	3268875	4,294	3268930	5,457	3268985
050 CTE 500 ID45°	50	500	2	3,632	3268876	5,009	3268931	6,388	3268986
050 CTE 600 ID45°	50	600	2	4,133	3268877	5,726	3268932	7,317	3268987
060 CTE 100 ID45°	60	100	2	1,811	3268878	2,373	3268933	2,935	3268988
060 CTE 150 ID45°	60	150	2	2,068	3268879	2,738	3268934	3,407	3268989
060 CTE 200 ID45°	60	200	2	2,325	3268880	3,102	3268935	3,879	3268990
060 CTE 250 ID45°	60	250	2	2,583	3268881	3,467	3268936	4,351	3268991
060 CTE 300 ID45°	60	300	2	2,873	3268882	3,831	3268937	4,873	3268992
060 CTE 400 ID45°	60	400	2	3,355	3268883	4,562	3268938	5,767	3268993
060 CTE 500 ID45°	60	500	2	3,870	3268884	5,291	3268939	6,711	3268994
060 CTE 600 ID45°	60	600	2	4,385	3268885	6,020	3268940	7,655	3268995
075 CTE 100 ID45°	75	100	2	2,087	3268886	2,714	3268941	3,340	3268996
075 CTE 150 ID45°	75	150	2	2,355	3268887	3,089	3268942	3,823	3268997
075 CTE 200 ID45°	75	200	2	2,624	3268888	3,464	3268943	4,305	3268998
075 CTE 250 ID45°	75	250	2	2,892	3268889	3,840	3268944	4,788	3268999
075 CTE 300 ID45°	75	300	2	3,193	3268890	4,215	3268945	5,322	3269000
075 CTE 400 ID45°	75	400	2	3,696	3268891	4,967	3268946	6,236	3269001
075 CTE 500 ID45°	75	500	2	4,233	3268892	5,717	3268947	7,202	3269002
075 CTE 600 ID45°	75	600	2	4,769	3268893	6,468	3268948	8,168	3269003
100 CTE 100 ID45°	100	100	2	2,563	3268894	3,297	3268949	4,030	3269004
100 CTE 150 ID45°	100	150	2	2,849	3268895	3,691	3268950	4,531	3269005
100 CTE 200 ID45°	100	200	2	3,135	3268896	4,083	3268951	5,031	3269006
100 CTE 250 ID45°	100	250	2	3,421	3268897	4,477	3268952	5,532	3269007
100 CTE 300 ID45°	100	300	2	3,746	3268898	4,917	3268953	6,088	3269008
100 CTE 400 ID45°	100	400	2	4,279	3268899	5,656	3268954	7,035	3269009
100 CTE 500 ID45°	100	500	2	4,851	3268900	6,444	3268955	8,036	3269010
100 CTE 600 ID45°	100	600	2	5,423	3268901	7,230	3268956	9,037	3269011
125 CTE 150 ID45°	125	150	2	3,363	3268902	4,311	3268957	5,259	3269012
125 CTE 200 ID45°	125	200	2	3,666	3268903	4,722	3268958	5,777	3269013
125 CTE 250 ID45°	125	250	2	3,971	3268904	5,134	3268959	6,296	3269014
125 CTE 300 ID45°	125	300	2	4,322	3268905	5,553	3268960	6,833	3269015
125 CTE 400 ID45°	125	400	2	4,882	3268906	6,367	3268961	7,852	3269016
125 CTE 500 ID45°	125	500	2	5,490	3268907	7,190	3268962	8,889	3269017
125 CTE 600 ID45°	125	600	2	6,098	3268908	8,012	3268963	9,925	3269018
150 CTE 200 ID45°	150	200	2	4,226	3268909	5,389	3268964	6,552	3269019
150 CTE 250 ID45°	150	250	2	4,549	3268910	5,818	3268965	7,088	3269020
150 CTE 300 ID45°	150	300	2	4,906	3268911	6,247	3268966	7,631	3269021
150 CTE 400 ID45°	150	400	2	5,513	3268912	7,106	3268967	8,698	3269022
150 CTE 500 ID45°	150	500	2	6,157	3268913	7,964	3268968	9,770	3269023
150 CTE 600 ID45°	150	600	2	6,800	3268914	8,822	3268969	10,843	3269024



■ Please contact us for special dimensions.
■ Material weights may vary by ± 10%

■ Please indicate order code in your orders.
■ All dimensions are given as in mm

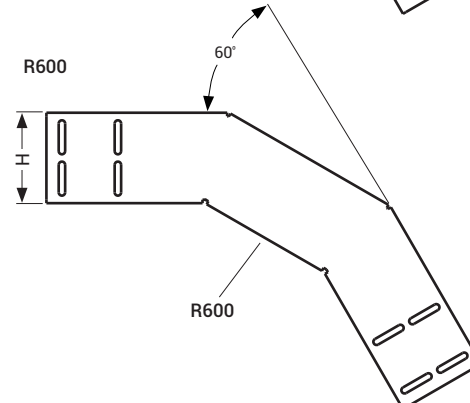
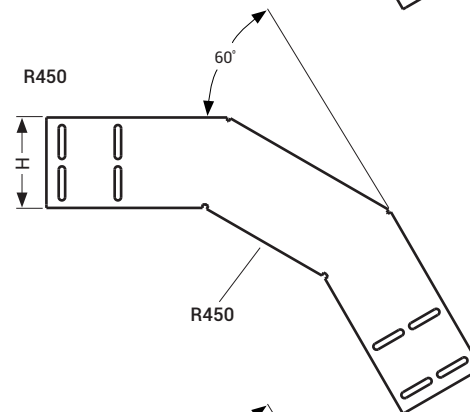
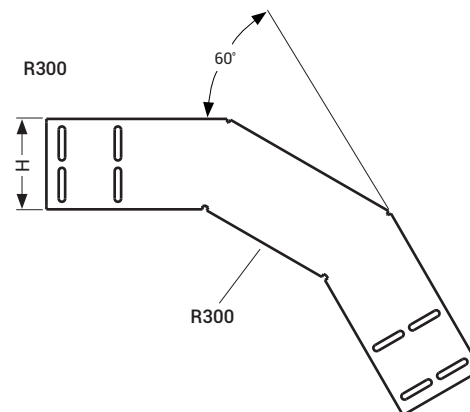
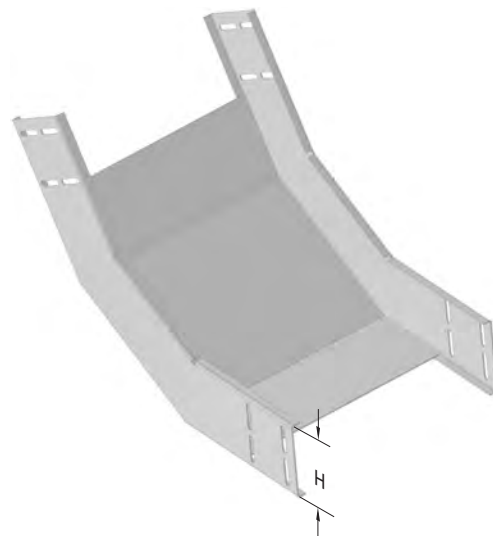
■ PG= Pre-Galvanized
■ HDG= Hot Dip Galvanized

►► BENDS

► CTE ID 60° Vertical Inside Bend (R300, R450, R600)

Hot Dip Galvanized (TS EN ISO 1461)

Description	H (mm)	A (mm)	T (mm)	R300		R450		R600	
				Weight (kg/pcs)	HDG Code	Weight (kg/pcs)	HDG Code	Weight (kg/pcs)	HDG Code
040 CTE 050 ID60°	40	50	2	1,443	3269026	1,921	3269081	2,398	3269135
040 CTE 100 ID60°	40	100	2	1,758	3269027	2,374	3269082	2,990	3269136
040 CTE 150 ID60°	40	150	2	2,072	3269028	2,828	3269083	3,583	3269137
040 CTE 200 ID60°	40	200	2	2,387	3269029	3,281	3269084	4,175	3269138
040 CTE 250 ID60°	40	250	2	2,702	3269030	3,735	3269025	4,767	3269139
040 CTE 300 ID60°	40	300	2	3,016	3269031	4,188	3269085	5,359	3269140
040 CTE 400 ID60°	40	400	2	3,645	3269032	5,095	3269086	6,544	3269141
040 CTE 500 ID60°	40	500	2	4,275	3269033	6,002	3269087	7,729	3269142
040 CTE 600 ID60°	40	600	2	4,904	3269034	6,908	3269088	8,912	3269143
050 CTE 050 ID60°	50	50	2	1,647	3269035	2,179	3269089	2,712	3269144
050 CTE 100 ID60°	50	100	2	1,970	3269036	2,641	3269090	3,313	3269145
050 CTE 150 ID60°	50	150	2	2,294	3269037	3,104	3269091	3,915	3269146
050 CTE 200 ID60°	50	200	2	2,618	3269038	3,567	3269092	4,516	3269147
050 CTE 250 ID60°	50	250	2	2,941	3269039	4,029	3269093	5,117	3269148
050 CTE 300 ID60°	50	300	2	3,266	3269040	4,492	3269094	5,719	3269149
050 CTE 400 ID60°	50	400	2	3,913	3269041	5,418	3269095	6,922	3269150
050 CTE 500 ID60°	50	500	2	4,561	3269042	6,343	3269096	8,125	3269151
050 CTE 600 ID60°	50	600	2	5,209	3269043	7,269	3269097	9,328	3269152
060 CTE 100 ID60°	60	100	2	2,186	3269044	2,913	3269098	3,640	3269153
060 CTE 150 ID60°	60	150	2	2,519	3269045	3,385	3269099	4,250	3269154
060 CTE 200 ID60°	60	200	2	2,852	3269046	3,857	3269100	4,861	3269155
060 CTE 250 ID60°	60	250	2	3,185	3269047	4,329	3269101	5,471	3269156
060 CTE 300 ID60°	60	300	2	3,518	3269048	4,800	3269102	6,083	3269157
060 CTE 400 ID60°	60	400	2	4,184	3269049	5,744	3269103	7,304	3269158
060 CTE 500 ID60°	60	500	2	4,851	3269050	6,688	3269104	8,526	3269159
060 CTE 600 ID60°	60	600	2	5,517	3269051	7,632	3269105	9,747	3269160
075 CTE 100 ID60°	75	100	2	2,516	3269052	3,326	3269106	4,136	3269161
075 CTE 150 ID60°	75	150	2	2,863	3269053	3,812	3269107	4,761	3269162
075 CTE 200 ID60°	75	200	2	3,210	3269054	4,298	3269108	5,386	3269163
075 CTE 250 ID60°	75	250	2	3,557	3269055	4,784	3269109	6,010	3269164
075 CTE 300 ID60°	75	300	2	3,904	3269056	5,269	3269110	6,635	3269165
075 CTE 400 ID60°	75	400	2	4,598	3269057	6,241	3269111	7,885	3269166
075 CTE 500 ID60°	75	500	2	5,292	3269058	7,213	3269112	9,133	3269167
075 CTE 600 ID60°	75	600	2	5,986	3269059	8,184	3269113	10,383	3269168
100 CTE 100 ID60°	100	100	2	3,090	3269060	4,039	3269114	4,989	3269169
100 CTE 150 ID60°	100	150	2	3,461	3269061	4,549	3269115	5,636	3269170
100 CTE 200 ID60°	100	200	2	3,830	3269062	5,057	3269116	6,284	3269171
100 CTE 250 ID60°	100	250	2	4,201	3269063	5,566	3269117	6,932	3269172
100 CTE 300 ID60°	100	300	2	4,571	3269064	6,075	3269118	7,580	3269173
100 CTE 400 ID60°	100	400	2	5,311	3269065	7,093	3269119	8,875	3269174
100 CTE 500 ID60°	100	500	2	6,051	3269066	8,111	3269120	10,171	3269175
100 CTE 600 ID60°	100	600	2	6,791	3269067	9,129	3269121	11,466	3269176
125 CTE 150 ID60°	125	150	2	4,084	3269068	5,308	3269122	6,534	3269177
125 CTE 200 ID60°	125	200	2	4,477	3269069	5,840	3269123	7,205	3269178
125 CTE 250 ID60°	125	250	2	4,871	3269070	6,372	3269124	7,876	3269179
125 CTE 300 ID60°	125	300	2	5,264	3269071	6,904	3269125	8,547	3269180
125 CTE 400 ID60°	125	400	2	6,050	3269072	7,968	3269126	9,889	3269181
125 CTE 500 ID60°	125	500	2	6,837	3269073	9,032	3269127	11,231	3269182
125 CTE 600 ID60°	125	600	2	7,623	3269074	10,097	3269128	12,573	3269183
150 CTE 200 ID60°	150	200	2	5,139	3269075	6,647	3269129	8,152	3269184
150 CTE 250 ID60°	150	250	2	5,555	3269076	7,203	3269130	8,846	3269185
150 CTE 300 ID60°	150	300	2	5,970	3269077	7,758	3269131	9,540	3269186
150 CTE 400 ID60°	150	400	2	6,801	3269078	8,868	3269132	10,929	3269187
150 CTE 500 ID60°	150	500	2	7,632	3269079	9,979	3269133	12,316	3269188
150 CTE 600 ID60°	150	600	2	8,463	3269080	11,089	3269134	13,704	3269189



■ Please contact us for special dimensions.
■ Material weights may vary by ± 10%

■ Please indicate order code in your orders.
■ All dimensions are given as in mm

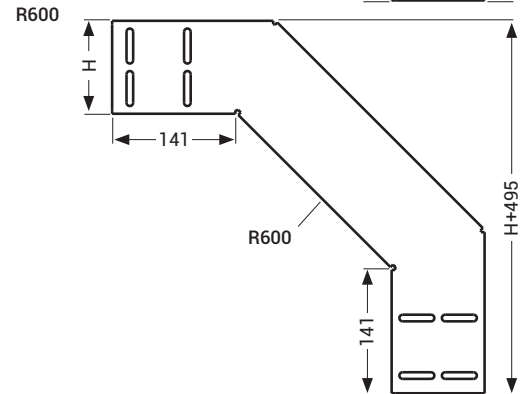
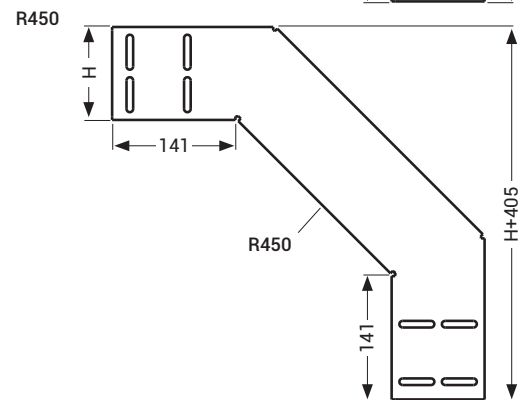
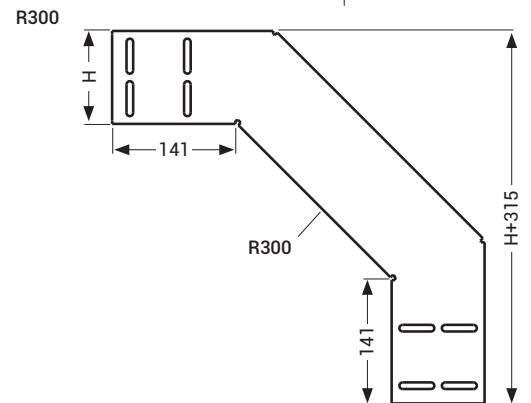
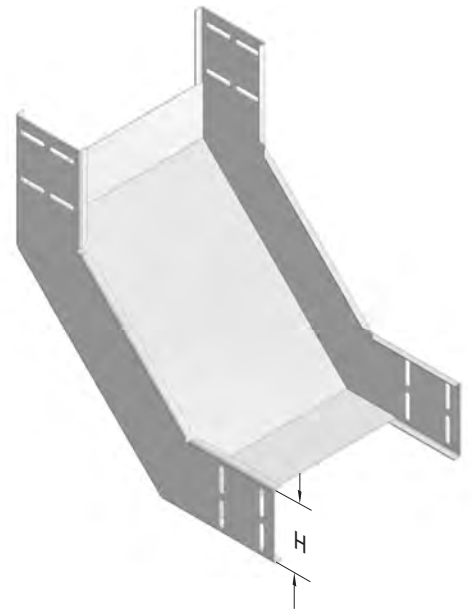
■ PG= Pre-Galvanized
■ HDG= Hot Dip Galvanized

BENDS

CTE ID 90° Vertical Inside Bend (R300, R450, R600)

Hot Dip Galvanized (TS EN ISO 1461)

Description	H (mm)	A (mm)	T (mm)	R300		R450		R600	
				Weight (kg/pcs)	HDG Code	Weight (kg/pcs)	HDG Code	Weight (kg/pcs)	HDG Code
040 CTE 050 ID90°	40	50	2	1,508	3002878	1,883	3002920	2,259	3002962
040 CTE 100 ID90°	40	100	2	1,846	3002879	2,329	3002921	2,811	3002963
040 CTE 150 ID90°	40	150	2	2,184	3002880	2,773	3002922	3,363	3002964
040 CTE 200 ID90°	40	200	2	2,520	3002881	3,218	3002923	3,915	3002965
040 CTE 250 ID90°	40	250	2	2,858	3002882	3,662	3002924	4,466	3002966
040 CTE 300 ID90°	40	300	2	3,194	3002883	4,106	3002925	5,018	3002967
040 CTE 400 ID90°	40	400	2	3,869	3002884	4,995	3002926	6,122	3002968
040 CTE 500 ID90°	40	500	2	4,544	3002885	5,885	3002927	7,226	3002969
040 CTE 600 ID90°	40	600	2	5,218	3002886	6,774	3002928	8,329	3002970
050 CTE 050 ID90°	50	50	2	1,729	3002887	2,147	3002929	2,565	3002971
050 CTE 100 ID90°	50	100	2	2,080	3002888	2,606	3002930	3,132	3002972
050 CTE 150 ID90°	50	150	2	2,432	3002889	3,065	3002931	3,697	3002973
050 CTE 200 ID90°	50	200	2	2,783	3002890	3,523	3002932	4,264	3002974
050 CTE 250 ID90°	50	250	2	3,135	3002891	3,982	3002933	4,830	3002975
050 CTE 300 ID90°	50	300	2	3,487	3002892	4,441	3002934	5,396	3002976
050 CTE 400 ID90°	50	400	2	4,190	3002893	5,359	3002935	6,529	3002977
050 CTE 500 ID90°	50	500	2	4,893	3002894	6,277	3002936	7,660	3002978
050 CTE 600 ID90°	50	600	2	5,596	3002895	7,194	3002937	8,792	3002979
060 CTE 100 ID90°	60	100	2	2,321	3002896	2,889	3002938	3,457	3002980
060 CTE 150 ID90°	60	150	2	2,686	3002897	3,363	3002939	4,038	3002981
060 CTE 200 ID90°	60	200	2	3,053	3002898	3,836	3002940	4,619	3002982
060 CTE 250 ID90°	60	250	2	3,419	3002899	4,309	3002941	5,199	3002983
060 CTE 300 ID90°	60	300	2	3,784	3002900	4,782	3002942	5,779	3002984
060 CTE 400 ID90°	60	400	2	4,516	3002901	5,728	3002943	6,940	3002985
060 CTE 500 ID90°	60	500	2	5,247	3002902	6,675	3002944	8,102	3002986
060 CTE 600 ID90°	60	600	2	5,980	3002903	7,621	3002945	9,262	3002987
075 CTE 100 ID90°	75	100	2	2,692	3002904	3,325	3002946	3,958	3002988
075 CTE 150 ID90°	75	150	2	3,079	3002905	3,819	3002947	4,560	3002989
075 CTE 200 ID90°	75	200	2	3,466	3002906	4,314	3002948	5,161	3002990
075 CTE 250 ID90°	75	250	2	3,854	3002907	4,808	3002949	5,763	3002991
075 CTE 300 ID90°	75	300	2	4,242	3002908	5,303	3002950	6,366	3002992
075 CTE 400 ID90°	75	400	2	5,016	3002909	6,292	3002951	7,569	3002993
075 CTE 500 ID90°	75	500	2	5,790	3002910	7,282	3002952	8,773	3002994
075 CTE 600 ID90°	75	600	2	6,565	3002911	8,271	3002953	9,977	3002995
100 CTE 100 ID90°	100	100	2	3,324	3002912	4,065	3002954	4,805	3002996
100 CTE 150 ID90°	100	150	2	3,748	3002913	4,595	3002955	5,443	3002997
100 CTE 200 ID90°	100	200	2	4,171	3002914	5,125	3002956	6,080	3002998
100 CTE 250 ID90°	100	250	2	4,594	3002915	5,656	3002957	6,718	3002999
100 CTE 300 ID90°	100	300	2	5,017	3002916	6,186	3002958	7,356	3003000
100 CTE 400 ID90°	100	400	2	5,863	3002917	7,247	3002959	8,631	3003001
100 CTE 500 ID90°	100	500	2	6,709	3002918	8,307	3002960	9,907	3003002
100 CTE 600 ID90°	100	600	2	7,555	3002919	9,369	3002961	11,182	3003003
125 CTE 150 ID90°	125	150	2	4,469	3003607	4,787	3003620	6,379	3003633
125 CTE 200 ID90°	125	200	2	4,929	3003608	5,991	3003621	7,052	3003634
125 CTE 250 ID90°	125	250	2	5,388	3003609	6,557	3003622	7,726	3003635
125 CTE 300 ID90°	125	300	2	5,847	3003610	7,123	3003623	8,400	3003636
125 CTE 400 ID90°	125	400	2	6,764	3003611	8,256	3003624	9,746	3003637
125 CTE 500 ID90°	125	500	2	7,681	3003612	9,387	3003625	11,094	3003638
125 CTE 600 ID90°	125	600	2	8,600	3003613	10,519	3003626	12,440	3003639
150 CTE 200 ID90°	150	200	2	5,732	3003614	6,901	3003627	8,071	3003640
150 CTE 250 ID90°	150	250	2	6,227	3003615	7,504	3003628	8,780	3003641
150 CTE 300 ID90°	150	300	2	6,722	3003616	8,106	3003629	9,490	3003642
150 CTE 400 ID90°	150	400	2	7,711	3003617	9,309	3003630	10,908	3003643
150 CTE 500 ID90°	150	500	2	8,700	3003618	10,514	3003631	12,327	3003644
150 CTE 600 ID90°	150	600	2	9,690	3003619	11,717	3003632	13,745	3003645



■ Please contact us for special dimensions.
 ■ Material weights may vary by ± 10%

■ Please indicate order code in your orders.
 ■ All dimensions are given as in mm

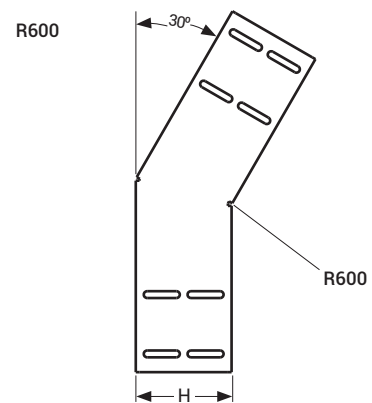
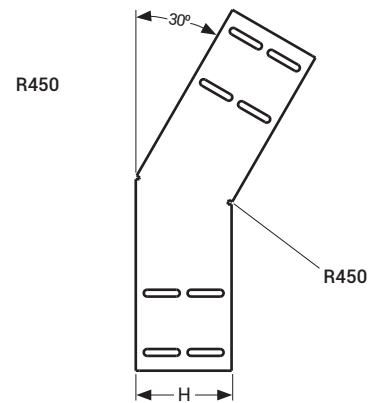
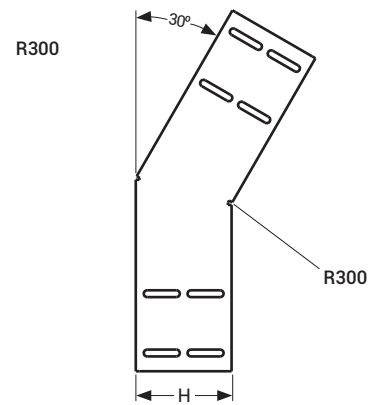
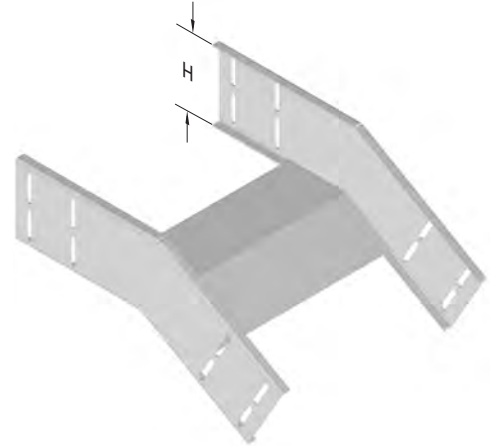
■ PG= Pre-Galvanized
 ■ HDG= Hot Dip Galvanized

►► BENDS

► CTE DD 30° Vertical Outside Bend (R300, R450, R600)

Hot Dip Galvanized (TS EN ISO 1461)

Description	H (mm)	A (mm)	T (mm)	R300		R450		R600	
				Weight (kg/pcs)	HDG Code	Weight (kg/pcs)	HDG Code	Weight (kg/pcs)	HDG Code
040 CTE 050 DD30°	40	50	2	0,909	3268196	1,147	3268250	1,316	3268307
040 CTE 100 DD30°	40	100	2	1,048	3268195	1,356	3268251	1,525	3268308
040 CTE 150 DD30°	40	150	2	1,188	3268197	1,565	3268252	1,734	3268309
040 CTE 200 DD30°	40	200	2	1,328	3268198	1,774	3268253	1,943	3268310
040 CTE 250 DD30°	40	250	2	1,467	3268199	1,984	3268254	2,152	3268311
040 CTE 300 DD30°	40	300	2	1,607	3268200	2,193	3268255	2,361	3268312
040 CTE 400 DD30°	40	400	2	1,887	3268201	2,611	3268256	2,779	3268313
040 CTE 500 DD30°	40	500	2	2,166	3268202	3,029	3268257	3,198	3268314
040 CTE 600 DD30°	40	600	2	2,445	3268203	3,447	3268258	3,616	3268315
050 CTE 050 DD30°	50	50	2	1,036	3268204	1,302	3268259	1,498	3268316
050 CTE 100 DD30°	50	100	2	1,176	3268205	1,511	3268260	1,707	3268317
050 CTE 150 DD30°	50	150	2	1,316	3268206	1,720	3268261	1,916	3268318
050 CTE 200 DD30°	50	200	2	1,455	3268207	1,929	3268262	2,125	3268319
050 CTE 250 DD30°	50	250	2	1,595	3268208	2,140	3268263	2,334	3268320
050 CTE 300 DD30°	50	300	2	1,735	3268209	2,349	3268264	2,543	3268321
050 CTE 400 DD30°	50	400	2	2,014	3268210	2,767	3268265	2,962	3268322
050 CTE 500 DD30°	50	500	2	2,294	3268211	3,185	3268266	3,380	3268323
050 CTE 600 DD30°	50	600	2	2,573	3268212	3,603	3268267	3,798	3268324
060 CTE 100 DD30°	60	100	2	1,305	3268213	1,669	3268268	1,892	3268325
060 CTE 150 DD30°	60	150	2	1,444	3268214	1,878	3268269	2,101	3268326
060 CTE 200 DD30°	60	200	2	1,584	3268215	2,087	3268270	2,310	3268327
060 CTE 250 DD30°	60	250	2	1,724	3268216	2,296	3268271	2,519	3268328
060 CTE 300 DD30°	60	300	2	1,863	3268217	2,505	3268272	2,728	3268329
060 CTE 400 DD30°	60	400	2	2,143	3268218	2,924	3268273	3,147	3268330
060 CTE 500 DD30°	60	500	2	2,423	3268219	3,342	3268274	3,565	3268331
060 CTE 600 DD30°	60	600	2	2,703	3268220	3,760	3268275	3,983	3268332
075 CTE 100 DD30°	75	100	2	1,503	3268221	1,907	3268276	2,173	3268333
075 CTE 150 DD30°	75	150	2	1,642	3268222	2,116	3268277	2,382	3268334
075 CTE 200 DD30°	75	200	2	1,782	3268223	2,325	3268278	2,591	3268335
075 CTE 250 DD30°	75	250	2	1,922	3268224	2,534	3268279	2,800	3268336
075 CTE 300 DD30°	75	300	2	2,061	3268225	2,743	3268280	3,009	3268337
075 CTE 400 DD30°	75	400	2	2,341	3268226	3,163	3268281	3,428	3268338
075 CTE 500 DD30°	75	500	2	2,620	3268227	3,581	3268282	3,846	3268339
075 CTE 600 DD30°	75	600	2	2,900	3268228	3,999	3268283	4,264	3268340
100 CTE 100 DD30°	100	100	2	1,841	3268229	2,316	3268284	2,650	3268341
100 CTE 150 DD30°	100	150	2	1,981	3268230	2,526	3268285	2,859	3268342
100 CTE 200 DD30°	100	200	2	2,121	3268231	2,735	3268288	3,069	3268343
100 CTE 250 DD30°	100	250	2	2,261	3268232	2,944	3268289	3,278	3268344
100 CTE 300 DD30°	100	300	2	2,400	3268233	3,153	3268290	3,487	3268345
100 CTE 400 DD30°	100	400	2	2,680	3268234	3,571	3268291	3,905	3268346
100 CTE 500 DD30°	100	500	2	2,959	3268235	3,989	3268292	4,323	3268347
100 CTE 600 DD30°	100	600	2	3,238	3268236	4,408	3268293	4,742	3268348
125 CTE 150 DD30°	125	150	2	2,334	3268237	2,947	3268294	3,351	3268349
125 CTE 200 DD30°	125	200	2	2,474	3268238	3,156	3268295	3,561	3268350
125 CTE 250 DD30°	125	250	2	2,614	3268239	3,366	3268296	3,770	3268351
125 CTE 300 DD30°	125	300	2	2,753	3268240	3,575	3268297	3,979	3268352
125 CTE 400 DD30°	125	400	2	3,033	3268241	3,993	3268298	4,397	3268353
125 CTE 500 DD30°	125	500	2	3,312	3268242	4,411	3268299	4,815	3268354
125 CTE 600 DD30°	125	600	2	3,592	3268243	4,829	3268300	5,233	3268355
150 CTE 200 DD30°	150	200	2	2,848	3268244	3,600	3268301	4,073	3268356
150 CTE 250 DD30°	150	250	2	2,988	3268245	3,809	3268302	4,282	3268357
150 CTE 300 DD30°	150	300	2	3,127	3268246	4,018	3268303	4,491	3268358
150 CTE 400 DD30°	150	400	2	3,407	3268247	4,437	3268304	4,910	3268359
150 CTE 500 DD30°	150	500	2	3,686	3268248	4,855	3268305	5,328	3268360
150 CTE 600 DD30°	150	600	2	3,966	3268249	5,273	3268306	5,746	3268361



■ Please contact us for special dimensions.
 ■ Material weights may vary by ± 10%

■ Please indicate order code in your orders.
 ■ All dimensions are given as in mm

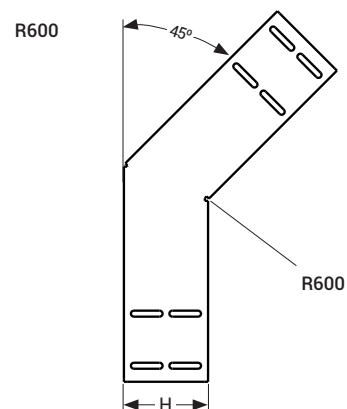
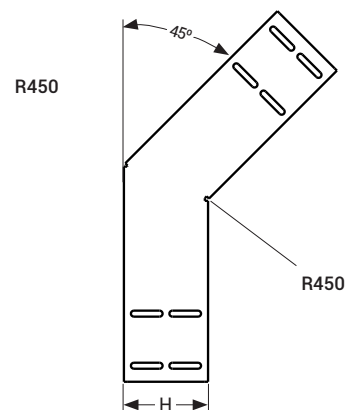
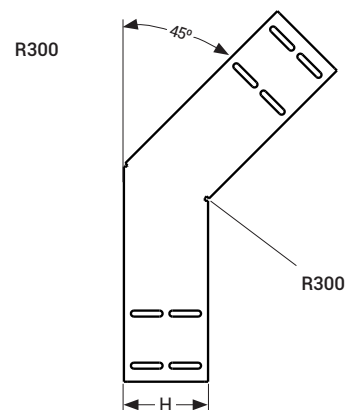
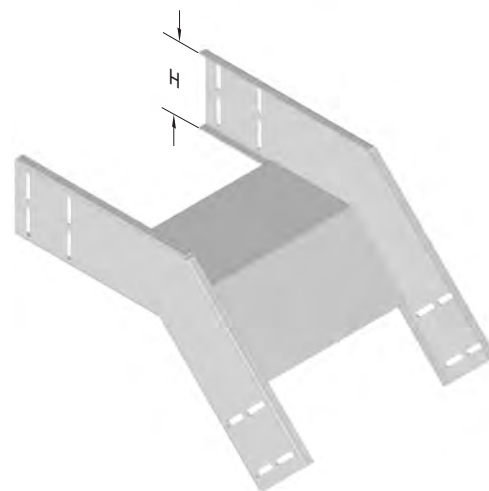
■ PG= Pre-Galvanized
 ■ HDG= Hot Dip Galvanized

▶▶ BENDS

▶ CTE DD 45° Vertical Outside Bend (R300, R450, R600)

Hot Dip Galvanized (TS EN ISO 1461)

Description	H (mm)	A (mm)	T (mm)	R300		R450		R600	
				Weight (kg/pcs)	HDG Code	Weight (kg/pcs)	HDG Code	Weight (kg/pcs)	HDG Code
040 CTE 050 DD45°	40	50	2	1,181	3268362	1,551	3268417	1,810	3268472
040 CTE 100 DD45°	40	100	2	1,398	3268363	1,874	3268418	2,133	3268473
040 CTE 150 DD45°	40	150	2	1,614	3268364	2,197	3268419	2,456	3268474
040 CTE 200 DD45°	40	200	2	1,829	3268365	2,520	3268420	2,780	3268475
040 CTE 250 DD45°	40	250	2	2,046	3268366	2,844	3268421	3,103	3268476
040 CTE 300 DD45°	40	300	2	2,262	3268367	3,167	3268422	3,427	3268477
040 CTE 400 DD45°	40	400	2	2,693	3268368	3,814	3268423	4,072	3268478
040 CTE 500 DD45°	40	500	2	3,125	3268369	4,459	3268424	4,719	3268479
040 CTE 600 DD45°	40	600	2	3,557	3268370	5,106	3268425	5,366	3268480
050 CTE 050 DD45°	50	50	2	1,345	3268371	1,757	3268426	2,059	3268481
050 CTE 100 DD45°	50	100	2	1,561	3268372	2,080	3268427	2,383	3268482
050 CTE 150 DD45°	50	150	2	1,777	3268373	2,404	3268428	2,706	3268483
050 CTE 200 DD45°	50	200	2	1,993	3268374	2,727	3268429	3,028	3268484
050 CTE 250 DD45°	50	250	2	2,209	3268375	3,049	3268430	3,352	3268485
050 CTE 300 DD45°	50	300	2	2,424	3268376	3,373	3268431	3,675	3268486
050 CTE 400 DD45°	50	400	2	2,857	3268377	4,019	3268432	4,322	3268487
050 CTE 500 DD45°	50	500	2	3,288	3268378	4,666	3268433	4,968	3268488
050 CTE 600 DD45°	50	600	2	3,720	3268379	5,312	3268434	5,614	3268489
060 CTE 100 DD45°	60	100	2	1,727	3268380	2,289	3268435	2,635	3268490
060 CTE 150 DD45°	60	150	2	1,943	3268381	2,613	3268436	2,958	3268491
060 CTE 200 DD45°	60	200	2	2,159	3268382	2,936	3268437	3,280	3268492
060 CTE 250 DD45°	60	250	2	2,375	3268383	3,259	3268438	3,604	3268493
060 CTE 300 DD45°	60	300	2	2,591	3268384	3,582	3268439	3,927	3268494
060 CTE 400 DD45°	60	400	2	3,023	3268385	4,228	3268440	4,574	3268495
060 CTE 500 DD45°	60	500	2	3,455	3268386	4,875	3268441	5,221	3268496
060 CTE 600 DD45°	60	600	2	3,886	3268387	5,521	3268442	5,866	3268497
075 CTE 100 DD45°	75	100	2	1,982	3268388	2,608	3268443	3,017	3268498
075 CTE 150 DD45°	75	150	2	2,198	3268389	2,932	3268444	3,341	3268499
075 CTE 200 DD45°	75	200	2	2,413	3268390	3,255	3268445	3,664	3268500
075 CTE 250 DD45°	75	250	2	2,629	3268391	3,577	3268446	3,988	3268501
075 CTE 300 DD45°	75	300	2	2,846	3268392	3,901	3268447	4,311	3268502
075 CTE 400 DD45°	75	400	2	3,277	3268393	4,547	3268448	4,957	3268503
075 CTE 500 DD45°	75	500	2	3,709	3268394	5,194	3268449	5,603	3268504
075 CTE 600 DD45°	75	600	2	4,142	3268395	5,840	3268450	6,250	3268505
100 CTE 100 DD45°	100	100	2	2,421	3268396	3,155	3268451	3,672	3268506
100 CTE 150 DD45°	100	150	2	2,638	3268397	3,478	3268452	3,995	3268507
100 CTE 200 DD45°	100	200	2	2,853	3268398	3,802	3268453	4,319	3268508
100 CTE 250 DD45°	100	250	2	3,069	3268399	4,125	3268454	4,642	3268509
100 CTE 300 DD45°	100	300	2	3,285	3268400	4,448	3268455	4,964	3268510
100 CTE 400 DD45°	100	400	2	3,717	3268401	5,094	3268456	5,611	3268511
100 CTE 500 DD45°	100	500	2	4,149	3268402	5,741	3268457	6,258	3268512
100 CTE 600 DD45°	100	600	2	4,580	3268403	6,388	3268458	6,905	3268513
125 CTE 150 DD45°	125	150	2	3,097	3268404	4,046	3268459	4,670	3268514
125 CTE 200 DD45°	125	200	2	3,313	3268405	4,368	3268460	4,993	3268515
125 CTE 250 DD45°	125	250	2	3,529	3268406	4,692	3268461	5,316	3268516
125 CTE 300 DD45°	125	300	2	3,744	3268407	5,015	3268462	5,639	3268517
125 CTE 400 DD45°	125	400	2	4,177	3268408	5,662	3268463	6,285	3268518
125 CTE 500 DD45°	125	500	2	4,609	3268409	6,307	3268464	6,932	3268519
125 CTE 600 DD45°	125	600	2	5,040	3268410	6,954	3268465	7,579	3268520
150 CTE 200 DD45°	150	200	2	3,801	3268411	4,963	3268466	5,695	3268521
150 CTE 250 DD45°	150	250	2	4,017	3268412	5,287	3268467	6,018	3268522
150 CTE 300 DD45°	150	300	2	4,233	3268413	5,610	3268468	6,342	3268523
150 CTE 400 DD45°	150	400	2	4,664	3268414	6,257	3268469	6,988	3268524
150 CTE 500 DD45°	150	500	2	5,096	3268415	6,903	3268470	7,634	3268525
150 CTE 600 DD45°	150	600	2	5,529	3268416	7,549	3268471	8,281	3268526



■ Please contact us for special dimensions.
 ■ Material weights may vary by ± 10%

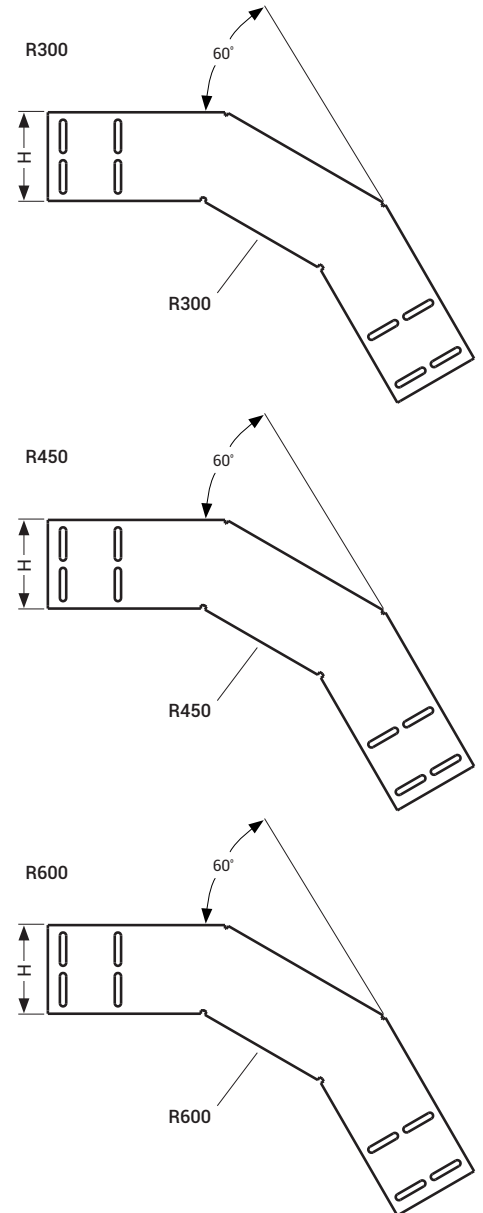
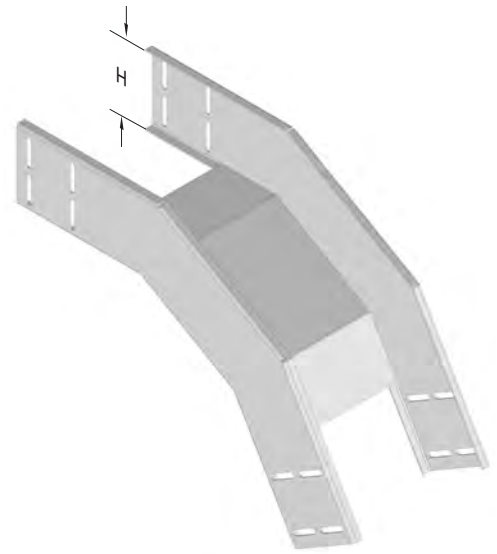
■ Please indicate order code in your orders.
 ■ All dimensions are given as in mm

■ PG= Pre-Galvanized
 ■ HDG= Hot Dip Galvanized

►► BENDS

► CTE DD 60° Vertical Outside Bend (R300, R450, R600)
Hot Dip Galvanized (TS EN ISO 1461)

Description	H (mm)	A (mm)	T (mm)	R300		R450		R600	
				Weight (kg/pcs)	HDG Code	Weight (kg/pcs)	HDG Code	Weight (kg/pcs)	HDG Code
040 CTE 050 DD60°	40	50	2	1,408	3268528	1,884	3268583	2,362	3268638
040 CTE 100 DD60°	40	100	2	1,687	3268529	2,303	3268584	2,919	3268639
040 CTE 150 DD60°	40	150	2	1,967	3268530	2,721	3268585	3,476	3268640
040 CTE 200 DD60°	40	200	2	2,246	3268531	3,139	3268586	4,034	3268641
040 CTE 250 DD60°	40	250	2	2,526	3268532	3,557	3268587	4,590	3268642
040 CTE 300 DD60°	40	300	2	2,805	3268533	3,977	3268588	5,147	3268643
040 CTE 400 DD60°	40	400	2	3,364	3268534	4,813	3268589	6,261	3268644
040 CTE 500 DD60°	40	500	2	3,923	3268535	5,650	3268590	7,376	3268645
040 CTE 600 DD60°	40	600	2	4,481	3268536	6,486	3268591	8,490	3268646
050 CTE 050 DD60°	50	50	2	1,601	3268537	2,134	3268592	2,666	3268647
050 CTE 100 DD60°	50	100	2	1,880	3268538	2,552	3268593	3,223	3268648
050 CTE 150 DD60°	50	150	2	2,159	3268539	2,970	3268594	3,781	3268649
050 CTE 200 DD60°	50	200	2	2,439	3268540	3,388	3268595	4,337	3268650
050 CTE 250 DD60°	50	250	2	2,718	3268541	3,807	3268596	4,895	3268651
050 CTE 300 DD60°	50	300	2	2,998	3268542	4,225	3268597	5,452	3268652
050 CTE 400 DD60°	50	400	2	3,557	3268543	5,061	3268598	6,566	3268653
050 CTE 500 DD60°	50	500	2	4,116	3268544	5,898	3268599	7,680	3268654
050 CTE 600 DD60°	50	600	2	4,675	3268545	6,734	3268600	8,795	3268655
060 CTE 100 DD60°	60	100	2	2,077	3268546	2,804	3268601	3,531	3268656
060 CTE 150 DD60°	60	150	2	2,356	3268547	3,222	3268602	4,089	3268657
060 CTE 200 DD60°	60	200	2	2,636	3268548	3,641	3268603	4,645	3268658
060 CTE 250 DD60°	60	250	2	2,915	3268549	4,059	3268604	5,203	3268659
060 CTE 300 DD60°	60	300	2	3,194	3268550	4,477	3268605	5,760	3268660
060 CTE 400 DD60°	60	400	2	3,754	3268551	5,314	3268606	6,874	3268661
060 CTE 500 DD60°	60	500	2	4,313	3268552	6,150	3268607	7,988	3268662
060 CTE 600 DD60°	60	600	2	4,872	3268553	6,987	3268608	9,103	3268663
075 CTE 100 DD60°	75	100	2	2,379	3268554	3,190	3268609	4,000	3268664
075 CTE 150 DD60°	75	150	2	2,659	3268555	3,608	3268610	4,557	3268665
075 CTE 200 DD60°	75	200	2	2,938	3268556	4,026	3268611	5,114	3268666
075 CTE 250 DD60°	75	250	2	3,218	3268557	4,444	3268612	5,672	3268667
075 CTE 300 DD60°	75	300	2	3,497	3268558	4,863	3268613	6,228	3268668
075 CTE 400 DD60°	75	400	2	4,056	3268559	5,699	3268614	7,343	3268669
075 CTE 500 DD60°	75	500	2	4,615	3268560	6,536	3268615	8,457	3268670
075 CTE 600 DD60°	75	600	2	5,173	3268561	7,372	3268616	9,571	3268671
100 CTE 100 DD60°	100	100	2	2,907	3268562	3,857	3268617	4,805	3268672
100 CTE 150 DD60°	100	150	2	3,187	3268563	4,275	3268618	5,363	3268673
100 CTE 200 DD60°	100	200	2	3,466	3268564	4,693	3268619	5,919	3268674
100 CTE 250 DD60°	100	250	2	3,746	3268565	5,111	3268620	6,477	3268675
100 CTE 300 DD60°	100	300	2	4,025	3268566	5,529	3268621	7,033	3268676
100 CTE 400 DD60°	100	400	2	4,584	3268567	6,366	3268622	8,148	3268677
100 CTE 500 DD60°	100	500	2	5,143	3268568	7,202	3268623	9,262	3268678
100 CTE 600 DD60°	100	600	2	5,701	3268569	8,039	3268624	10,376	3268679
125 CTE 150 DD60°	125	150	2	3,740	3268570	4,964	3268625	6,191	3268680
125 CTE 200 DD60°	125	200	2	4,019	3268571	5,382	3268626	6,747	3268681
125 CTE 250 DD60°	125	250	2	4,299	3268572	5,800	3268627	7,305	3268682
125 CTE 300 DD60°	125	300	2	4,578	3268573	6,218	3268628	7,862	3268683
125 CTE 400 DD60°	125	400	2	5,137	3268574	7,055	3268629	8,976	3268684
125 CTE 500 DD60°	125	500	2	5,696	3268575	7,891	3268630	10,090	3268685
125 CTE 600 DD60°	125	600	2	6,255	3268576	8,729	3268631	11,205	3268686
150 CTE 200 DD60°	150	200	2	4,593	3268577	6,096	3268632	7,601	3268687
150 CTE 250 DD60°	150	250	2	4,872	3268578	6,515	3268633	8,159	3268688
150 CTE 300 DD60°	150	300	2	5,151	3268579	6,933	3268634	8,715	3268689
150 CTE 400 DD60°	150	400	2	5,710	3268580	7,769	3268635	9,830	3268690
150 CTE 500 DD60°	150	500	2	6,269	3268581	8,606	3268636	10,944	3268691
150 CTE 600 DD60°	150	600	2	6,828	3268582	9,442	3268637	12,058	3268692



■ Please contact us for special dimensions.
■ Material weights may vary by ± 10%

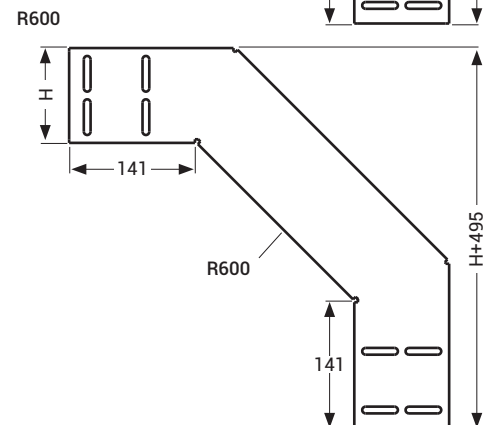
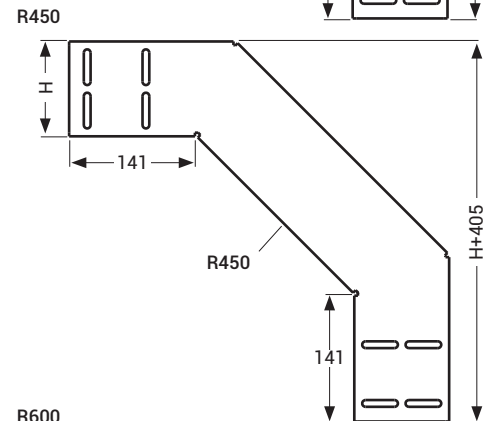
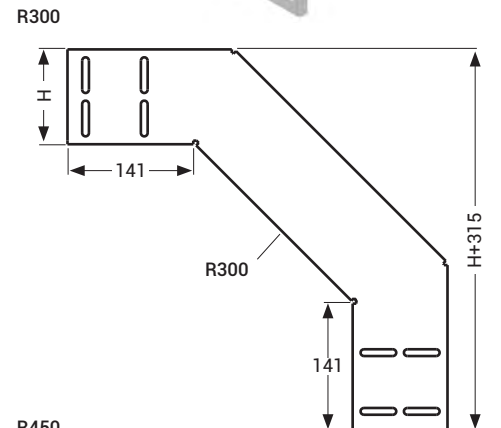
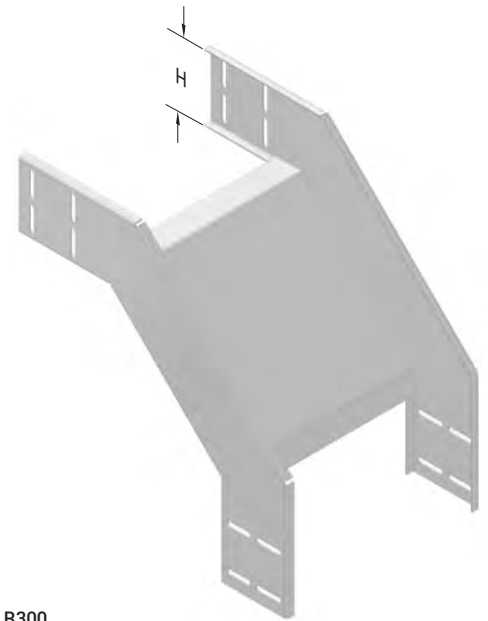
■ Please indicate order code in your orders.
■ All dimensions are given as in mm

■ PG= Pre-Galvanized
■ HDG= Hot Dip Galvanized

BENDS

CTE DD 90° Vertical Outside Bend (R300, R450, R600) Hot Dip Galvanized (TS EN ISO 1461)

Description	H (mm)	A (mm)	T (mm)	R300		R450		R600	
				Weight (kg/pcs)	HDG Code	Weight (kg/pcs)	HDG Code	Weight (kg/pcs)	HDG Code
040 CTE 050 DD90°	40	50	2	1,454	3003004	1,829	3003046	2,204	3003088
040 CTE 100 DD90°	40	100	2	1,736	3003005	2,219	3003047	2,702	3003089
040 CTE 150 DD90°	40	150	2	2,019	3003006	2,608	3003048	3,199	3003090
040 CTE 200 DD90°	40	200	2	2,301	3003007	2,999	3003049	3,696	3003091
040 CTE 250 DD90°	40	250	2	2,584	3003008	3,388	3003050	4,193	3003092
040 CTE 300 DD90°	40	300	2	2,867	3003009	3,779	3003051	4,689	3003093
040 CTE 400 DD90°	40	400	2	3,431	3003010	4,557	3003052	5,684	3003094
040 CTE 500 DD90°	40	500	2	3,996	3003011	5,337	3003053	6,678	3003095
040 CTE 600 DD90°	40	600	2	4,562	3003012	6,117	3003054	7,673	3003096
050 CTE 050 DD90°	50	50	2	1,660	3003013	2,078	3003055	2,496	3003097
050 CTE 100 DD90°	50	100	2	1,943	3003014	2,467	3003056	2,993	3003098
050 CTE 150 DD90°	50	150	2	2,225	3003015	2,873	3003057	3,490	3003099
050 CTE 200 DD90°	50	200	2	2,523	3003016	3,264	3003058	3,988	3003100
050 CTE 250 DD90°	50	250	2	2,806	3003017	3,638	3003059	4,485	3003101
050 CTE 300 DD90°	50	300	2	3,072	3003018	4,027	3003060	4,982	3003102
050 CTE 400 DD90°	50	400	2	3,638	3003019	4,807	3003061	5,976	3003103
050 CTE 500 DD90°	50	500	2	4,202	3003020	5,586	3003062	6,970	3003104
050 CTE 600 DD90°	50	600	2	4,767	3003021	6,366	3003063	7,964	3003105
060 CTE 100 DD90°	60	100	2	2,154	3003022	2,723	3003064	3,291	3003106
060 CTE 150 DD90°	60	150	2	2,437	3003023	3,112	3003065	3,788	3003107
060 CTE 200 DD90°	60	200	2	2,719	3003024	3,502	3003066	4,286	3003108
060 CTE 250 DD90°	60	250	2	3,002	3003025	3,892	3003067	4,782	3003109
060 CTE 300 DD90°	60	300	2	3,285	3003026	4,281	3003068	5,279	3003110
060 CTE 400 DD90°	60	400	2	3,849	3003027	5,061	3003069	6,273	3003111
060 CTE 500 DD90°	60	500	2	4,414	3003028	5,841	3003070	7,268	3003112
060 CTE 600 DD90°	60	600	2	4,980	3003029	6,621	3003071	8,262	3003113
075 CTE 100 DD90°	75	100	2	2,483	3003030	3,132	3003072	3,748	3003114
075 CTE 150 DD90°	75	150	2	2,765	3003031	3,505	3003073	4,245	3003115
075 CTE 200 DD90°	75	200	2	3,047	3003032	3,895	3003074	4,742	3003116
075 CTE 250 DD90°	75	250	2	3,330	3003033	4,285	3003075	5,239	3003117
075 CTE 300 DD90°	75	300	2	3,612	3003034	4,674	3003076	5,737	3003118
075 CTE 400 DD90°	75	400	2	4,178	3003035	5,454	3003077	6,731	3003119
075 CTE 500 DD90°	75	500	2	4,742	3003036	6,234	3003078	7,725	3003120
075 CTE 600 DD90°	75	600	2	5,308	3003037	7,014	3003079	8,719	3003121
100 CTE 100 DD90°	100	100	2	3,044	3003038	3,784	3003080	4,523	3003122
100 CTE 150 DD90°	100	150	2	3,326	3003039	4,173	3003081	5,020	3003123
100 CTE 200 DD90°	100	200	2	3,608	3003040	4,563	3003082	5,518	3003124
100 CTE 250 DD90°	100	250	2	3,891	3003041	4,953	3003083	6,015	3003125
100 CTE 300 DD90°	100	300	2	4,173	3003042	5,343	3003084	6,512	3003126
100 CTE 400 DD90°	100	400	2	4,739	3003043	6,123	3003085	7,506	3003127
100 CTE 500 DD90°	100	500	2	5,303	3003044	6,903	3003086	8,501	3003128
100 CTE 600 DD90°	100	600	2	5,869	3003045	7,681	3003087	9,495	3003129
125 CTE 150 DD90°	125	150	2	3,941	3003659	4,940	3003672	5,850	3003685
125 CTE 200 DD90°	125	200	2	4,223	3003660	5,286	3003673	6,347	3003686
125 CTE 250 DD90°	125	250	2	4,506	3003661	5,675	3003674	6,844	3003687
125 CTE 300 DD90°	125	300	2	4,788	3003662	6,065	3003675	7,341	3003688
125 CTE 400 DD90°	125	400	2	5,354	3003663	6,844	3003676	8,336	3003689
125 CTE 500 DD90°	125	500	2	5,918	3003664	7,624	3003677	9,330	3003690
125 CTE 600 DD90°	125	600	2	6,483	3003665	8,404	3003678	10,325	3003691
150 CTE 200 DD90°	150	200	2	4,884	3003666	6,053	3003679	7,223	3003692
150 CTE 250 DD90°	150	250	2	5,167	3003667	6,444	3003680	7,720	3003693
150 CTE 300 DD90°	150	300	2	5,449	3003668	6,833	3003681	8,217	3003694
150 CTE 400 DD90°	150	400	2	6,015	3003669	7,613	3003682	9,211	3003695
150 CTE 500 DD90°	150	500	2	6,579	3003670	8,392	3003683	10,206	3003696
150 CTE 600 DD90°	150	600	2	7,145	3003671	9,172	3003684	11,200	3003697

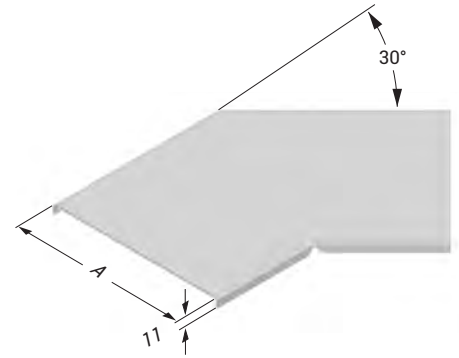


■ Please contact us for special dimensions.
■ Material weights may vary by ± 10%

■ Please indicate order code in your orders.
■ All dimensions are given as in mm

■ PG= Pre-Galvanized
■ HDG= Hot Dip Galvanized

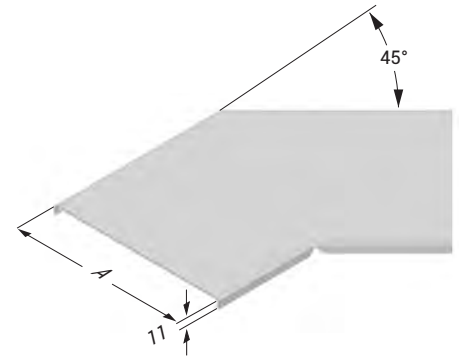
Description	A (mm)	T (mm)	R300		R450		R600	
			Weight (kg/pcs)	HDG Code	Weight (kg/pcs)	HDG Code	Weight (kg/pcs)	HDG Code
CTE 050 YD30° COVER	55	2	0,226	3268032	0,330	3268041	0,436	3268050
CTE 100 YD30° COVER	105	2	0,406	3268033	0,580	3268042	0,755	3268051
CTE 150 YD30° COVER	155	2	0,609	3268034	0,853	3268043	1,097	3268052
CTE 200 YD30° COVER	205	2	0,836	3268035	1,150	3268044	1,462	3268053
CTE 250 YD30° COVER	255	2	1,086	3268036	1,469	3268045	1,850	3268054
CTE 300 YD30° COVER	305	2	1,359	3268037	1,811	3268046	2,263	3268055
CTE 400 YD30° COVER	405	2	1,975	3268038	2,564	3268047	3,155	3268056
CTE 500 YD30° COVER	505	2	2,682	3268039	3,411	3268048	4,140	3268057
CTE 600 YD30° COVER	605	2	3,482	3268040	4,351	3268049	5,218	3268058



► CTE YD 45° Horizontal Degree Bend Cover (R300, R450, R600)

Hot Dip Galvanized (TS EN ISO 1461)

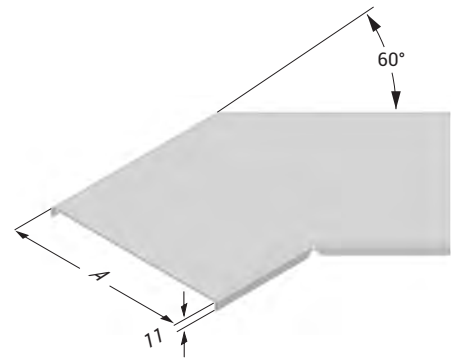
Description	A (mm)	T (mm)	R300		R450		R600	
			Weight (kg/pcs)	HDG Code	Weight (kg/pcs)	HDG Code	Weight (kg/pcs)	HDG Code
CTE 050 YD45° COVER	55	2	0,350	3005004	0,512	3005013	0,674	3005022
CTE 100 YD45° COVER	105	2	0,629	3005005	0,898	3005014	1,167	3005023
CTE 150 YD45° COVER	155	2	0,944	3005006	1,320	3005015	1,696	3005024
CTE 200 YD45° COVER	205	2	1,294	3005007	1,778	3005016	2,262	3005025
CTE 250 YD45° COVER	255	2	1,680	3005008	2,270	3005017	2,862	3005026
CTE 300 YD45° COVER	305	2	2,102	3005009	2,801	3005018	3,498	3005027
CTE 400 YD45° COVER	405	2	3,053	3005010	3,966	3005019	4,879	3005028
CTE 500 YD45° COVER	505	2	4,147	3005011	5,275	3005020	6,402	3005029
CTE 600 YD45° COVER	605	2	5,383	3005012	6,727	3005021	8,069	3005030



► CTE YD 60° Horizontal Degree Bend Cover (R300, R450, R600)

Hot Dip Galvanized (TS EN ISO 1461)

Description	A (mm)	T (mm)	R300		R450		R600	
			Weight (kg/pcs)	HDG Code	Weight (kg/pcs)	HDG Code	Weight (kg/pcs)	HDG Code
CTE 050 YD60° COVER	55	2	0,488	3268059	0,713	3268068	0,941	3268077
CTE 100 YD60° COVER	105	2	0,878	3268060	1,253	3268069	1,628	3268078
CTE 150 YD60° COVER	155	2	1,316	3268061	1,840	3268070	2,365	3268079
CTE 200 YD60° COVER	205	2	1,804	3268062	2,478	3268071	3,153	3268080
CTE 250 YD60° COVER	255	2	2,342	3268063	3,166	3268072	3,990	3268081
CTE 300 YD60° COVER	305	2	2,930	3268064	3,904	3268073	4,877	3268082
CTE 400 YD60° COVER	405	2	4,256	3268065	5,529	3268074	6,801	3268083
CTE 500 YD60° COVER	505	2	5,781	3268066	7,352	3268075	8,924	3268084
CTE 600 YD60° COVER	605	2	7,505	3268067	9,376	3268076	11,246	3268085



► CTE YD 90° Horizontal Degree Bend Cover (R300, R450, R600)

Hot Dip Galvanized (TS EN ISO 1461)

Description	A (mm)	T (mm)	R300		R450		R600	
			Weight (kg/pcs)	HDG Code	Weight (kg/pcs)	HDG Code	Weight (kg/pcs)	HDG Code
CTE 050 YD90° COVER	55	2	0,438	3005031	0,600	3005040	0,761	3005049
CTE 100 YD90° COVER	105	2	0,837	3005032	1,106	3005041	1,375	3005050
CTE 150 YD90° COVER	155	2	1,307	3005033	1,683	3005042	2,060	3005051
CTE 200 YD90° COVER	205	2	1,849	3005034	2,332	3005043	2,816	3005052
CTE 250 YD90° COVER	255	2	2,462	3005035	3,054	3005044	3,644	3005053
CTE 300 YD90° COVER	305	2	3,147	3005036	3,846	3005045	4,544	3005054
CTE 400 YD90° COVER	405	2	4,731	3005037	5,644	3005046	6,557	3005055
CTE 500 YD90° COVER	505	2	6,602	3005038	7,730	3005047	8,857	3005056
CTE 600 YD90° COVER	605	2	8,758	3005039	10,101	3005048	11,443	3005057



■ Please contact us for special dimensions.
 ■ Material weights may vary by ± 10%

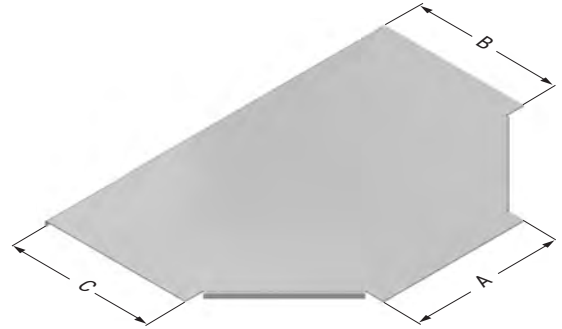
■ Please indicate order code in your orders.
 ■ All dimensions are given as in mm

■ PG= Pre-Galvanized
 ■ HDG= Hot Dip Galvanized

►► BEND COVER

► CTE YT Tee Bend Cover (R300, R450, R600) Hot Dip Galvanized (TS EN ISO 1461)

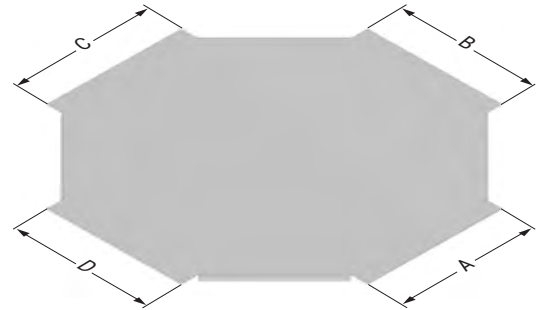
Description	A (mm)	T (mm)	R300		R450		R600	
			Weight (kg/pcs)	HDG Code	Weight (kg/pcs)	HDG Code	Weight (kg/pcs)	HDG Code
CTE 050 YT COVER	55	2	1,287	3005058	2,343	3005067	3,489	3005076
CTE 100 YT COVER	105	2	2,032	3005059	3,265	3005068	4,631	3005077
CTE 150 YT COVER	155	2	2,745	3005060	4,272	3005069	5,858	3005078
CTE 200 YT COVER	205	2	3,603	3005061	5,367	3005070	7,171	3005079
CTE 250 YT COVER	255	2	4,547	3005062	6,426	3005071	8,571	3005080
CTE 300 YT COVER	305	2	5,578	3005063	7,685	3005072	10,057	3005081
CTE 400 YT COVER	405	2	7,899	3005064	10,461	3005073	13,289	3005082
CTE 500 YT COVER	505	2	10,566	3005065	13,582	3005074	16,865	3005083
CTE 600 YT COVER	605	2	13,577	3005066	17,049	3005075	20,788	3005084



► CTE AD Cross Over Bend (R300, R450, R600)

Hot Dip Galvanized (TS EN ISO 1461)

Description	A (mm)	T (mm)	R300		R450		R600	
			Weight (kg/pcs)	HDG Code	Weight (kg/pcs)	HDG Code	Weight (kg/pcs)	HDG Code
CTE 050 AD COVER	55	2	2,105	3005085	3,868	3005094	6,162	3005103
CTE 100 AD COVER	105	2	2,976	3005086	5,040	3005095	7,638	3005104
CTE 150 AD COVER	155	2	3,951	3005087	6,326	3005096	9,233	3005105
CTE 200 AD COVER	205	2	4,995	3005088	7,674	3005097	10,885	3005106
CTE 250 AD COVER	255	2	6,125	3005089	9,107	3005098	12,623	3005107
CTE 300 AD COVER	305	2	7,341	3005090	10,627	3005099	14,445	3005108
CTE 400 AD COVER	405	2	10,034	3005091	13,926	3005100	18,352	3005109
CTE 500 AD COVER	505	2	13,071	3005092	17,571	3005101	22,604	3005110
CTE 600 AD COVER	605	2	16,455	3005093	21,561	3005102	27,201	3005111



■ Please contact us for special dimensions.
 ■ Material weights may vary by ± 10%

■ Please indicate order code in your orders.
 ■ All dimensions are given as in mm

■ PG= Pre-Galvanized
 ■ HDG= Hot Dip Galvanized

Description	A (mm)	T (mm)	R300		R450		R600	
			Weight (kg/pcs)	HDG Code	Weight (kg/pcs)	HDG Code	Weight (kg/pcs)	HDG Code
CTE 050 ID30° COVER	55	2	0,199	3268086	0,301	3268087	0,404	3268088
CTE 100 ID30° COVER	105	2	0,338	3268089	0,509	3268090	0,681	3268091
CTE 150 ID30° COVER	155	2	0,476	3268092	0,717	3268093	0,958	3268094
CTE 200 ID30° COVER	205	2	0,615	3268095	0,925	3268096	1,235	3268097
CTE 250 ID30° COVER	255	2	0,752	3268098	1,133	3268099	1,513	3268100
CTE 300 ID30° COVER	305	2	0,891	3268101	1,340	3268102	1,790	3268103
CTE 400 ID30° COVER	405	2	1,168	3268104	1,756	3268105	2,344	3268106
CTE 500 ID30° COVER	505	2	1,444	3268107	2,171	3268108	2,897	3268109
CTE 600 ID30° COVER	605	2	1,721	3268110	2,587	3268111	3,452	3268112



► CTE ID 45° Vertical Inside Bend Cover (R300, R450, R600)

Hot Dip Galvanized (TS EN ISO 1461)

Description	A (mm)	T (mm)	R300		R450		R600	
			Weight (kg/pcs)	HDG Code	Weight (kg/pcs)	HDG Code	Weight (kg/pcs)	HDG Code
CTE 050 ID45° COVER	55	2	0,311	3268113	0,469	3268114	0,626	3268115
CTE 100 ID45° COVER	105	2	0,525	3268116	0,790	3268117	1,055	3268118
CTE 150 ID45° COVER	155	2	0,738	3268119	1,111	3268120	1,483	3268121
CTE 200 ID45° COVER	205	2	0,953	3268122	1,432	3268123	1,911	3268124
CTE 250 ID45° COVER	255	2	1,166	3268125	1,752	3268126	2,340	3268127
CTE 300 ID45° COVER	305	2	1,379	3268128	2,074	3268129	2,768	3268130
CTE 400 ID45° COVER	405	2	1,807	3268131	2,716	3268132	3,625	3268133
CTE 500 ID45° COVER	505	2	2,235	3268134	3,358	3268135	4,481	3268136
CTE 600 ID45° COVER	605	2	2,662	3268137	4,001	3268138	5,338	3268139



► CTE ID 60° Vertical Inside Bend Cover (R300, R450, R600)

Hot Dip Galvanized (TS EN ISO 1461)

Description	A (mm)	T (mm)	R300		R450		R600	
			Weight (kg/pcs)	HDG Code	Weight (kg/pcs)	HDG Code	Weight (kg/pcs)	HDG Code
CTE 050 ID60° COVER	55	2	0,410	3268140	0,617	3268141	0,824	3268142
CTE 100 ID60° COVER	105	2	0,691	3268143	1,036	3268144	1,382	3268145
CTE 150 ID60° COVER	155	2	0,970	3268146	1,454	3268147	1,938	3268148
CTE 200 ID60° COVER	205	2	1,250	3268149	1,872	3268150	2,496	3268151
CTE 250 ID60° COVER	255	2	1,529	3268152	2,290	3268153	3,053	3268154
CTE 300 ID60° COVER	305	2	1,808	3268155	2,709	3268156	3,609	3268157
CTE 400 ID60° COVER	405	2	2,367	3268158	3,545	3268159	4,723	3268160
CTE 500 ID60° COVER	505	2	2,926	3268161	4,381	3268162	5,838	3268163
CTE 600 ID60° COVER	605	2	3,485	3268164	5,218	3268165	6,952	3268166



► CTE ID 90° Vertical Inside Bend Cover (R300, R450, R600)

Hot Dip Galvanized (TS EN ISO 1461)

Description	A (mm)	T (mm)	R300		R450		R600	
			Weight (kg/pcs)	HDG Code	Weight (kg/pcs)	HDG Code	Weight (kg/pcs)	HDG Code
CTE 050 ID90° COVER	55	2	0,411	3005112	0,574	3005121	0,736	3005130
CTE 100 ID90° COVER	105	2	0,690	3005113	0,958	3005122	1,228	3005131
CTE 150 ID90° COVER	155	2	0,967	3005114	1,343	3005123	1,719	3005132
CTE 200 ID90° COVER	205	2	1,244	3005115	1,728	3005124	2,212	3005133
CTE 250 ID90° COVER	255	2	1,521	3005116	2,113	3005125	2,704	3005134
CTE 300 ID90° COVER	305	2	1,800	3005117	2,498	3005126	3,197	3005135
CTE 400 ID90° COVER	405	2	2,354	3005118	3,267	3005127	4,180	3005136
CTE 500 ID90° COVER	505	2	2,910	3005119	4,037	3005128	5,165	3005137
CTE 600 ID90° COVER	605	2	3,464	3005120	4,807	3005129	6,149	3005138



■ Please contact us for special dimensions.
 ■ Material weights may vary by ± 10%

■ Please indicate order code in your orders.
 ■ All dimensions are given as in mm

■ PG= Pre-Galvanized
 ■ HDG= Hot Dip Galvanized

Description	H (mm)	A (mm)	T (mm)	R300		R450		R600	
				Weight (kg/pcs)	HDG Code	Weight (kg/pcs)	HDG Code	Weight (kg/pcs)	HDG Code
040 CTE 050 DD30°	40	50	2	0,230	3269921	0,331	3269922	0,433	3269923
040 CTE 100 DD30°	40	100	2	0,388	3269924	0,559	3269925	0,730	3269926
040 CTE 150 DD30°	40	150	2	0,546	3269927	0,787	3269928	1,027	3269929
040 CTE 200 DD30°	40	200	2	0,704	3269930	1,014	3269931	1,324	3269932
040 CTE 250 DD30°	40	250	2	0,862	3269933	1,242	3269934	1,621	3269935
040 CTE 300 DD30°	40	300	2	1,021	3269936	1,470	3269937	1,918	3269938
040 CTE 400 DD30°	40	400	2	1,338	3269939	1,925	3269940	2,512	3269941
040 CTE 500 DD30°	40	500	2	1,653	3269942	2,380	3269943	3,106	3269944
040 CTE 600 DD30°	40	600	2	1,970	3269945	2,836	3269946	3,702	3269947
050 CTE 050 DD30°	50	50	2	0,237	3269948	0,339	3269949	0,441	3269950
050 CTE 100 DD30°	50	100	2	0,399	3269951	0,571	3269952	0,741	3269953
050 CTE 150 DD30°	50	150	2	0,562	3269954	0,803	3269955	1,044	3269956
050 CTE 200 DD30°	50	200	2	0,725	3269957	1,035	3269958	1,345	3269959
050 CTE 250 DD30°	50	250	2	0,888	3269960	1,267	3269961	1,647	3269962
050 CTE 300 DD30°	50	300	2	1,051	3269963	1,499	3269964	1,949	3269965
050 CTE 400 DD30°	50	400	2	1,376	3269966	1,965	3269967	2,552	3269968
050 CTE 500 DD30°	50	500	2	1,702	3269969	2,429	3269970	3,156	3269971
050 CTE 600 DD30°	50	600	2	2,027	3269972	2,893	3269973	3,759	3269974
060 CTE 100 DD30°	60	100	2	0,410	3269975	0,582	3269976	0,754	3269977
060 CTE 150 DD30°	60	150	2	0,579	3269978	0,818	3269979	1,059	3269980
060 CTE 200 DD30°	60	200	2	0,746	3269981	1,056	3269982	1,366	3269983
060 CTE 250 DD30°	60	250	2	0,913	3269984	1,293	3269985	1,672	3269986
060 CTE 300 DD30°	60	300	2	1,080	3269987	1,530	3269988	1,979	3269989
060 CTE 400 DD30°	60	400	2	1,416	3269990	2,003	3269991	2,592	3269992
060 CTE 500 DD30°	60	500	2	1,750	3269993	2,477	3269994	3,204	3269995
060 CTE 600 DD30°	60	600	2	2,086	3269996	2,951	3269997	3,816	3269998
075 CTE 100 DD30°	75	100	2	0,428	3269999	0,600	3270000	0,770	3270001
075 CTE 150 DD30°	75	150	2	0,602	3270002	0,843	3270003	1,084	3270004
075 CTE 200 DD30°	75	200	2	0,777	3270005	1,087	3270006	1,397	3270007
075 CTE 250 DD30°	75	250	2	0,952	3270008	1,331	3270009	1,711	3270010
075 CTE 300 DD30°	75	300	2	1,125	3270011	1,574	3270012	2,024	3270013
075 CTE 400 DD30°	75	400	2	1,474	3270014	2,063	3270015	2,650	3270016
075 CTE 500 DD30°	75	500	2	1,823	3270017	2,550	3270018	3,277	3270019
075 CTE 600 DD30°	75	600	2	2,173	3270020	3,037	3270021	3,903	3270022
100 CTE 100 DD30°	100	100	2	0,457	3270023	0,628	3270024	0,799	3270025
100 CTE 150 DD30°	100	150	2	0,642	3270026	0,883	3270027	1,124	3270028
100 CTE 200 DD30°	100	200	2	0,828	3270029	1,139	3270030	1,449	3270031
100 CTE 250 DD30°	100	250	2	1,014	3270032	1,394	3270033	1,773	3270034
100 CTE 300 DD30°	100	300	2	1,200	3270035	1,649	3270036	2,099	3270037
100 CTE 400 DD30°	100	400	2	1,572	3270038	2,160	3270039	2,748	3270040
100 CTE 500 DD30°	100	500	2	1,945	3270041	2,671	3270042	3,398	3270043
100 CTE 600 DD30°	100	600	2	2,317	3270044	3,182	3270045	4,047	3270046
125 CTE 150 DD30°	125	150	2	0,682	3270047	0,923	3270048	1,164	3270049
125 CTE 200 DD30°	125	200	2	0,880	3270050	1,190	3270051	1,500	3270052
125 CTE 250 DD30°	125	250	2	1,078	3270053	1,458	3270054	1,837	3270055
125 CTE 300 DD30°	125	300	2	1,275	3270056	1,724	3270057	2,174	3270058
125 CTE 400 DD30°	125	400	2	1,670	3270059	2,258	3270060	2,846	3270061
125 CTE 500 DD30°	125	500	2	2,066	3270062	2,792	3270063	3,519	3270064
125 CTE 600 DD30°	125	600	2	2,461	3270065	3,326	3270066	4,191	3270067
150 CTE 200 DD30°	150	200	2	0,932	3270068	1,242	3270069	1,552	3270070
150 CTE 250 DD30°	150	250	2	1,141	3270071	1,520	3270072	1,900	3270073
150 CTE 300 DD30°	150	300	2	1,350	3270074	1,799	3270075	2,248	3270076
150 CTE 400 DD30°	150	400	2	1,769	3270077	2,356	3270078	2,944	3270079
150 CTE 500 DD30°	150	500	2	2,187	3270080	2,913	3270081	3,640	3270082
150 CTE 600 DD30°	150	600	2	2,605	3270083	3,471	3270084	4,336	3270085



■ Please contact us for special dimensions.
■ Material weights may vary by ± 10%

■ Please indicate order code in your orders.
■ All dimensions are given as in mm

■ PG= Pre-Galvanized
■ HDG= Hot Dip Galvanized

►► BEND COVER

► CTE DD 45° Vertical Outside Bend Cover (R300, R450, R600)

Hot Dip Galvanized (TS EN ISO 1461)

Description	H (mm)	A (mm)	T (mm)	R300		R450		R600	
				Weight (kg/pcs)	HDG Code	Weight (kg/pcs)	HDG Code	Weight (kg/pcs)	HDG Code
040 CTE 050 DD45°	40	50	2	0,355	3270086	0,514	3270087	0,671	3270088
040 CTE 100 DD45°	40	100	2	0,601	3270089	0,865	3270090	1,130	3270091
040 CTE 150 DD45°	40	150	2	0,845	3270092	1,217	3270093	1,590	3270094
040 CTE 200 DD45°	40	200	2	1,089	3270095	1,569	3270096	2,048	3270097
040 CTE 250 DD45°	40	250	2	1,334	3270098	1,921	3270099	2,507	3270100
040 CTE 300 DD45°	40	300	2	1,579	3270101	2,273	3270102	2,967	3270103
040 CTE 400 DD45°	40	400	2	2,068	3270104	2,977	3270105	3,885	3270106
040 CTE 500 DD45°	40	500	2	2,556	3270107	3,680	3270108	4,804	3270109
040 CTE 600 DD45°	40	600	2	3,046	3270110	4,384	3270111	5,721	3270112
050 CTE 050 DD45°	50	50	2	0,366	3270113	0,524	3270114	0,681	3270115
050 CTE 100 DD45°	50	100	2	0,618	3270116	0,883	3270117	1,147	3270118
050 CTE 150 DD45°	50	150	2	0,870	3270119	1,242	3270120	1,614	3270121
050 CTE 200 DD45°	50	200	2	1,121	3270122	1,601	3270123	2,080	3270124
050 CTE 250 DD45°	50	250	2	1,373	3270125	1,960	3270126	2,547	3270127
050 CTE 300 DD45°	50	300	2	1,625	3270128	2,319	3270129	3,013	3270130
050 CTE 400 DD45°	50	400	2	2,129	3270131	3,037	3270132	3,946	3270133
050 CTE 500 DD45°	50	500	2	2,631	3270134	3,754	3270135	4,879	3270136
050 CTE 600 DD45°	50	600	2	3,135	3270137	4,473	3270138	5,810	3270139
060 CTE 100 DD45°	60	100	2	0,636	3270140	0,901	3270141	1,165	3270142
060 CTE 150 DD45°	60	150	2	0,894	3270143	1,266	3270144	1,639	3270145
060 CTE 200 DD45°	60	200	2	1,153	3270146	1,632	3270147	2,112	3270148
060 CTE 250 DD45°	60	250	2	1,412	3270149	1,999	3270150	2,586	3270151
060 CTE 300 DD45°	60	300	2	1,671	3270152	2,365	3270153	3,059	3270154
060 CTE 400 DD45°	60	400	2	2,189	3270155	3,098	3270156	4,006	3270157
060 CTE 500 DD45°	60	500	2	2,706	3270158	3,829	3270159	4,953	3270160
060 CTE 600 DD45°	60	600	2	3,224	3270161	4,562	3270162	5,899	3270163
075 CTE 100 DD45°	75	100	2	0,662	3270164	0,927	3270165	1,191	3270166
075 CTE 150 DD45°	75	150	2	0,932	3270167	1,304	3270168	1,676	3270169
075 CTE 200 DD45°	75	200	2	1,201	3270170	1,681	3270171	2,160	3270172
075 CTE 250 DD45°	75	250	2	1,471	3270173	2,058	3270174	2,644	3270175
075 CTE 300 DD45°	75	300	2	1,740	3270176	2,434	3270177	3,128	3270178
075 CTE 400 DD45°	75	400	2	2,279	3270179	3,188	3270180	4,096	3270181
075 CTE 500 DD45°	75	500	2	2,818	3270182	3,942	3270183	5,066	3270184
075 CTE 600 DD45°	75	600	2	3,358	3270185	4,696	3270186	6,034	3270187
100 CTE 100 DD45°	100	100	2	0,706	3270188	0,971	3270189	1,236	3270190
100 CTE 150 DD45°	100	150	2	0,993	3270191	1,366	3270192	1,738	3270193
100 CTE 200 DD45°	100	200	2	1,282	3270194	1,761	3270195	2,240	3270196
100 CTE 250 DD45°	100	250	2	1,569	3270197	2,155	3270198	2,742	3270199
100 CTE 300 DD45°	100	300	2	1,856	3270200	2,550	3270201	3,244	3270202
100 CTE 400 DD45°	100	400	2	2,431	3270203	3,340	3270204	4,248	3270205
100 CTE 500 DD45°	100	500	2	3,006	3270206	4,129	3270207	5,253	3270208
100 CTE 600 DD45°	100	600	2	3,581	3270209	4,919	3270210	6,257	3270211
125 CTE 150 DD45°	125	150	2	1,056	3270212	1,428	3270213	1,800	3270214
125 CTE 200 DD45°	125	200	2	1,361	3270215	1,840	3270216	2,320	3270217
125 CTE 250 DD45°	125	250	2	1,667	3270218	2,253	3270219	2,840	3270220
125 CTE 300 DD45°	125	300	2	1,971	3270221	2,665	3270222	3,359	3270223
125 CTE 400 DD45°	125	400	2	2,583	3270224	3,491	3270225	4,401	3270226
125 CTE 500 DD45°	125	500	2	3,193	3270227	4,316	3270228	5,440	3270229
125 CTE 600 DD45°	125	600	2	3,804	3270230	5,141	3270231	6,480	3270232
150 CTE 200 DD45°	150	200	2	1,441	3270233	1,921	3270234	2,400	3270235
150 CTE 250 DD45°	150	250	2	1,764	3270236	2,351	3270237	2,938	3270238
150 CTE 300 DD45°	150	300	2	2,088	3270239	2,782	3270240	3,476	3270241
150 CTE 400 DD45°	150	400	2	2,734	3270242	3,642	3270243	4,551	3270244
150 CTE 500 DD45°	150	500	2	3,380	3270245	4,503	3270246	5,627	3270247
150 CTE 600 DD45°	150	600	2	4,027	3270248	5,365	3270249	6,702	3270250



CT

■ Please contact us for special dimensions.
■ Material weights may vary by ± 10%

■ Please indicate order code in your orders.
■ All dimensions are given as in mm

■ PG= Pre-Galvanized
■ HDG= Hot Dip Galvanized

►► BEND COVER

► CTE DD 60° Vertical Outside Bend Cover (R300, R450, R600) Hot Dip Galvanized (TS EN ISO 1461)

Description	H (mm)	A (mm)	T (mm)	R300		R450		R600	
				Weight (kg/pcs)	HDG Code	Weight (kg/pcs)	HDG Code	Weight (kg/pcs)	HDG Code
040 CTE 050 DD60°	40	50	2	0,460	3269754	0,667	3269755	0,873	3269756
040 CTE 100 DD60°	40	100	2	0,774	3269757	1,120	3269758	1,465	3269759
040 CTE 150 DD60°	40	150	2	1,089	3269760	1,574	3269761	2,058	3269762
040 CTE 200 DD60°	40	200	2	1,404	3269763	2,027	3269764	2,650	3269765
040 CTE 250 DD60°	40	250	2	1,718	3269766	2,481	3269767	3,243	3269768
040 CTE 300 DD60°	40	300	2	2,033	3269769	2,934	3269770	3,835	3269771
040 CTE 400 DD60°	40	400	2	2,662	3269772	3,841	3269773	5,019	3269774
040 CTE 500 DD60°	40	500	2	3,291	3269775	4,748	3269776	6,204	3269777
040 CTE 600 DD60°	40	600	2	3,920	3269778	5,654	3269779	7,388	3269780
050 CTE 050 DD60°	50	50	2	0,474	3269781	0,681	3269782	0,887	3269783
050 CTE 100 DD60°	50	100	2	0,798	3269784	1,143	3269785	1,488	3269786
050 CTE 150 DD60°	50	150	2	1,122	3269787	1,606	3269788	2,090	3269789
050 CTE 200 DD60°	50	200	2	1,445	3269790	2,068	3269791	2,692	3269792
050 CTE 250 DD60°	50	250	2	1,769	3269793	2,531	3269794	3,293	3269795
050 CTE 300 DD60°	50	300	2	2,093	3269796	2,994	3269797	3,895	3269798
050 CTE 400 DD60°	50	400	2	2,741	3269799	3,919	3269800	5,097	3269801
050 CTE 500 DD60°	50	500	2	3,389	3269802	4,844	3269803	6,301	3269804
050 CTE 600 DD60°	50	600	2	4,036	3269805	5,770	3269806	7,504	3269807
060 CTE 100 DD60°	60	100	2	0,821	3269808	1,166	3269809	1,511	3269810
060 CTE 150 DD60°	60	150	2	1,154	3269811	1,638	3269812	2,122	3269813
060 CTE 200 DD60°	60	200	2	1,487	3269814	2,110	3269815	2,734	3269816
060 CTE 250 DD60°	60	250	2	1,821	3269817	2,582	3269818	3,344	3269819
060 CTE 300 DD60°	60	300	2	2,153	3269820	3,054	3269821	3,955	3269822
060 CTE 400 DD60°	60	400	2	2,819	3269823	3,997	3269824	5,177	3269825
060 CTE 500 DD60°	60	500	2	3,486	3269826	4,941	3269827	6,398	3269828
060 CTE 600 DD60°	60	600	2	4,151	3269829	5,886	3269830	7,620	3269831
075 CTE 100 DD60°	75	100	2	0,856	3269832	1,201	3269833	1,547	3269834
075 CTE 150 DD60°	75	150	2	1,202	3269835	1,686	3269836	2,171	3269837
075 CTE 200 DD60°	75	200	2	1,549	3269838	2,173	3269839	2,795	3269840
075 CTE 250 DD60°	75	250	2	1,896	3269841	2,659	3269842	3,420	3269843
075 CTE 300 DD60°	75	300	2	2,243	3269844	3,144	3269845	4,045	3269846
075 CTE 400 DD60°	75	400	2	2,937	3269847	4,116	3269848	5,294	3269849
075 CTE 500 DD60°	75	500	2	3,631	3269850	5,088	3269851	6,544	3269852
075 CTE 600 DD60°	75	600	2	4,325	3269853	6,059	3269854	7,792	3269855
100 CTE 100 DD60°	100	100	2	0,913	3269856	1,258	3269857	1,604	3269858
100 CTE 150 DD60°	100	150	2	1,283	3269859	1,768	3269860	2,252	3269861
100 CTE 200 DD60°	100	200	2	1,653	3269862	2,276	3269863	2,900	3269864
100 CTE 250 DD60°	100	250	2	2,023	3269865	2,785	3269866	3,548	3269867
100 CTE 300 DD60°	100	300	2	2,394	3269868	3,295	3269869	4,195	3269870
100 CTE 400 DD60°	100	400	2	3,134	3269871	4,312	3269872	5,490	3269873
100 CTE 500 DD60°	100	500	2	3,874	3269874	5,330	3269875	6,786	3269876
100 CTE 600 DD60°	100	600	2	4,615	3269877	6,348	3269878	8,082	3269879
125 CTE 150 DD60°	125	150	2	1,364	3269880	1,848	3269881	2,332	3269882
125 CTE 200 DD60°	125	200	2	1,757	3269883	2,380	3269884	3,003	3269885
125 CTE 250 DD60°	125	250	2	2,151	3269886	2,912	3269887	3,674	3269888
125 CTE 300 DD60°	125	300	2	2,543	3269889	3,444	3269890	4,345	3269891
125 CTE 400 DD60°	125	400	2	3,330	3269892	4,509	3269893	5,687	3269894
125 CTE 500 DD60°	125	500	2	4,116	3269895	5,573	3269896	7,029	3269897
125 CTE 600 DD60°	125	600	2	4,903	3269898	6,637	3269899	8,371	3269900
150 CTE 200 DD60°	150	200	2	1,857	3269901	2,484	3269902	3,108	3269903
150 CTE 250 DD60°	150	250	2	2,273	3269904	3,039	3269905	3,802	3269906
150 CTE 300 DD60°	150	300	2	2,687	3269907	3,595	3269908	4,496	3269909
150 CTE 400 DD60°	150	400	2	3,519	3269910	4,705	3269911	5,883	3269912
150 CTE 500 DD60°	150	500	2	4,349	3269913	5,816	3269914	7,271	3269915
150 CTE 600 DD60°	150	600	2	5,181	3269916	6,926	3269917	8,659	3269918



■ Please contact us for special dimensions.
■ Material weights may vary by ± 10%

■ Please indicate order code in your orders.
■ All dimensions are given as in mm

■ PG= Pre-Galvanized
■ HDG= Hot Dip Galvanized

Description	H (mm)	A (mm)	T (mm)	R300		R600		R600	
				Weight (kg/pcs)	HDG Code	Weight (kg/pcs)	HDG Code	Weight (kg/pcs)	HDG Code
040 CTE 050 DD90°	40	50	2	0,512	3005139	0,673	3005194	0,835	3005249
040 CTE 100 DD90°	40	100	2	0,854	3005140	1,123	3005195	1,393	3005250
040 CTE 150 DD90°	40	150	2	1,197	3005141	1,573	3005196	1,949	3005251
040 CTE 200 DD90°	40	200	2	1,539	3005142	2,023	3005197	2,507	3005252
040 CTE 250 DD90°	40	250	2	1,882	3005143	2,473	3005198	3,064	3005253
040 CTE 300 DD90°	40	300	2	2,224	3005144	2,923	3005199	3,621	3005254
040 CTE 400 DD90°	40	400	2	2,910	3005145	3,823	3005200	4,736	3005255
040 CTE 500 DD90°	40	500	2	3,595	3005146	4,722	3005201	5,850	3005256
040 CTE 600 DD90°	40	600	2	4,280	3005147	5,622	3005202	6,964	3005257
050 CTE 050 DD90°	50	50	2	0,534	3005148	0,695	3005203	0,857	3005258
050 CTE 100 DD90°	50	100	2	0,890	3005149	1,159	3005204	1,428	3005259
050 CTE 150 DD90°	50	150	2	1,247	3005150	1,624	3005205	2,000	3005260
050 CTE 200 DD90°	50	200	2	1,604	3005151	2,088	3005206	2,572	3005261
050 CTE 250 DD90°	50	250	2	1,960	3005152	2,552	3005207	3,143	3005262
050 CTE 300 DD90°	50	300	2	2,318	3005153	3,016	3005208	3,715	3005263
050 CTE 400 DD90°	50	400	2	3,032	3005154	3,945	3005209	4,858	3005264
050 CTE 500 DD90°	50	500	2	3,746	3005155	4,873	3005210	6,001	3005265
050 CTE 600 DD90°	50	600	2	4,459	3005156	5,801	3005211	7,143	3005266
060 CTE 100 DD90°	60	100	2	0,926	3005157	1,195	3005212	1,464	3005267
060 CTE 150 DD90°	60	150	2	1,297	3005158	1,673	3005213	2,050	3005268
060 CTE 200 DD90°	60	200	2	1,669	3005159	2,152	3005214	2,636	3005269
060 CTE 250 DD90°	60	250	2	2,039	3005160	2,630	3005215	3,222	3005270
060 CTE 300 DD90°	60	300	2	2,411	3005161	3,109	3005216	3,807	3005271
060 CTE 400 DD90°	60	400	2	3,153	3005162	4,066	3005217	4,979	3005272
060 CTE 500 DD90°	60	500	2	3,895	3005163	5,023	3005218	6,151	3005273
060 CTE 600 DD90°	60	600	2	4,638	3005164	5,981	3005219	7,323	3005274
075 CTE 100 DD90°	75	100	2	0,980	3005165	1,249	3005220	1,518	3005275
075 CTE 150 DD90°	75	150	2	1,373	3005166	1,749	3005221	2,125	3005276
075 CTE 200 DD90°	75	200	2	1,766	3005167	2,248	3005222	2,732	3005277
075 CTE 250 DD90°	75	250	2	2,158	3005168	2,749	3005223	3,340	3005278
075 CTE 300 DD90°	75	300	2	2,551	3005169	3,248	3005224	3,947	3005279
075 CTE 400 DD90°	75	400	2	3,335	3005170	4,248	3005225	5,161	3005280
075 CTE 500 DD90°	75	500	2	4,121	3005171	5,248	3005226	6,377	3005281
075 CTE 600 DD90°	75	600	2	4,906	3005172	6,249	3005227	7,591	3005282
100 CTE 100 DD90°	100	100	2	1,069	3005173	1,339	3005228	1,608	3005283
100 CTE 150 DD90°	100	150	2	1,498	3005174	1,874	3005229	2,251	3005284
100 CTE 200 DD90°	100	200	2	1,926	3005175	2,410	3005230	2,894	3005285
100 CTE 250 DD90°	100	250	2	2,355	3005176	2,946	3005231	3,537	3005286
100 CTE 300 DD90°	100	300	2	2,783	3005177	3,482	3005232	4,180	3005287
100 CTE 400 DD90°	100	400	2	3,640	3005178	4,553	3005233	5,466	3005288
100 CTE 500 DD90°	100	500	2	4,497	3005179	5,624	3005234	6,752	3005289
100 CTE 600 DD90°	100	600	2	5,354	3005180	6,696	3005235	8,038	3005290
125 CTE 150 DD90°	125	150	2	1,624	3005181	2,000	3005236	2,376	3005291
125 CTE 200 DD90°	125	200	2	2,088	3005182	2,572	3005237	3,055	3005292
125 CTE 250 DD90°	125	250	2	2,552	3005183	3,143	3005238	3,733	3005293
125 CTE 300 DD90°	125	300	2	3,016	3005184	3,715	3005239	4,413	3005294
125 CTE 400 DD90°	125	400	2	3,945	3005185	4,858	3005240	5,771	3005295
125 CTE 500 DD90°	125	500	2	4,873	3005186	6,001	3005241	7,128	3005296
125 CTE 600 DD90°	125	600	2	5,801	3005187	7,143	3005242	8,485	3005297
150 CTE 200 DD90°	150	200	2	2,248	3005188	2,732	3005243	3,216	3005298
150 CTE 250 DD90°	150	250	2	2,749	3005189	3,340	3005244	3,931	3005299
150 CTE 300 DD90°	150	300	2	3,248	3005190	3,947	3005245	4,645	3005300
150 CTE 400 DD90°	150	400	2	4,248	3005191	5,161	3005246	6,074	3005301
150 CTE 500 DD90°	150	500	2	5,248	3005192	6,377	3005247	7,504	3005302
150 CTE 600 DD90°	150	600	2	6,249	3005193	7,591	3005248	8,933	3005303



■ Please contact us for special dimensions.
 ■ Material weights may vary by ± 10%

■ Please indicate order code in your orders.
 ■ All dimensions are given as in mm

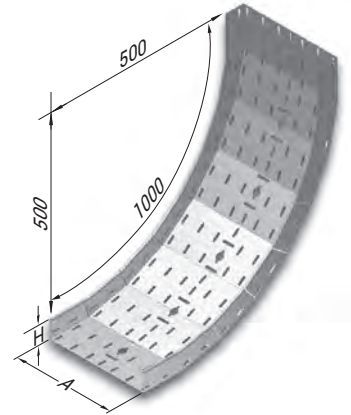
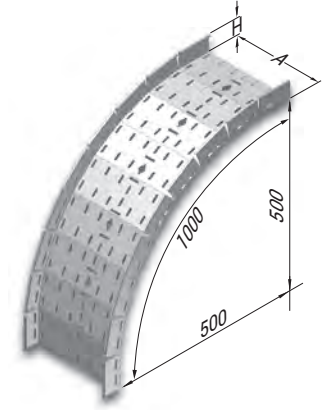
■ PG= Pre-Galvanized
 ■ HDG= Hot Dip Galvanized

►► ADJUSTABLE CONCAVE BEND

► CTE Adjustable Vertical Inside Bend

Hot Dip Galvanized (TS EN ISO 1461)

Açıklama	H (mm)	A (mm)	T=1		T=1,2		T=1,5		T=2	
			Weight (kg/pcs)	HDG Kodu	Weight (kg/pcs)	HDG Kodu	Weight (kg/pcs)	HDG Kodu	Weight (kg/pcs)	HDG Kodu
040 CTE 050 ADJ. CONCAVE	40	50	1,040	3004340	1,228	3301417	1,574	3300413	2,155	3300427
040 CTE 100 ADJ. CONCAVE	40	100	1,437	3004342	1,770	3301418	2,134	3300414	2,878	3300428
040 CTE 150 ADJ. CONCAVE	40	150	1,791	3004344	2,195	3301419	2,664	3300415	3,585	3300429
040 CTE 200 ADJ. CONCAVE	40	200	2,144	3300358	2,619	3004346	3,196	3300416	4,292	3300430
040 CTE 250 ADJ. CONCAVE	40	250	2,498	3300359	3,044	3004348	3,726	3300417	5,001	3300431
040 CTE 300 ADJ. CONCAVE	40	300	2,852	3300360	3,468	3301420	4,257	3004350	5,708	3300432
040 CTE 400 ADJ. CONCAVE	40	400	-	-	-	-	5,319	3004352	7,117	3300433
040 CTE 500 ADJ. CONCAVE	40	500	-	-	-	-	6,379	3004354	8,485	3300434
040 CTE 600 ADJ. CONCAVE	40	600	-	-	-	-	7,440	3004356	9,900	3300435
050 CTE 050 ADJ. CONCAVE	50	50	1,191	3004376	1,447	3301421	1,807	3300418	2,419	3300436
050 CTE 100 ADJ. CONCAVE	50	100	1,587	3004378	1,951	3301422	2,361	3300419	3,126	3300437
050 CTE 150 ADJ. CONCAVE	50	150	1,942	3004380	2,376	3301423	2,891	3300420	3,834	3300438
050 CTE 200 ADJ. CONCAVE	50	200	2,296	3300361	2,748	3004382	3,422	3300421	4,542	3300439
050 CTE 250 ADJ. CONCAVE	50	250	2,649	3004384	3,172	3301424	3,952	3300422	5,249	3300440
050 CTE 300 ADJ. CONCAVE	50	300	3,003	3300362	3,597	3301425	4,484	3004386	5,957	3300441
050 CTE 400 ADJ. CONCAVE	50	400	-	-	-	-	5,544	3004388	7,372	3300442
050 CTE 500 ADJ. CONCAVE	50	500	-	-	-	-	6,606	3004390	8,787	3300443
050 CTE 600 ADJ. CONCAVE	50	600	-	-	-	-	7,667	3004392	10,203	3300444
060 CTE 050 ADJ. CONCAVE	60	50	1,342	3281534	1,603	3359098	1,991	3359099	2,626	3359100
060 CTE 100 ADJ. CONCAVE	60	100	1,736	3004360	2,076	3301426	2,582	3300423	3,422	3300445
060 CTE 150 ADJ. CONCAVE	60	150	2,090	3004362	2,500	3301427	3,113	3300424	4,129	3300446
060 CTE 200 ADJ. CONCAVE	60	200	2,443	3300363	2,925	3004364	3,643	3300425	4,837	3300447
060 CTE 250 ADJ. CONCAVE	60	250	2,797	3300364	3,350	3004366	4,175	3300426	5,544	3300448
060 CTE 300 ADJ. CONCAVE	60	300	3,150	3300365	3,774	3301428	4,705	3004368	6,252	3300449
060 CTE 400 ADJ. CONCAVE	60	400	-	-	-	-	5,766	3004370	7,667	3300450
060 CTE 500 ADJ. CONCAVE	60	500	-	-	-	-	6,828	3004372	9,083	3300451
060 CTE 600 ADJ. CONCAVE	60	600	-	-	-	-	7,889	3004374	10,497	3300452
075 CTE 100 ADJ. CONCAVE	75	100	-	-	-	-	2,868	3004394	3,802	3300453
075 CTE 150 ADJ. CONCAVE	75	150	-	-	-	-	3,398	3004358	4,509	3300454
075 CTE 200 ADJ. CONCAVE	75	200	-	-	-	-	3,929	3004396	5,216	3300455
075 CTE 250 ADJ. CONCAVE	75	250	-	-	-	-	4,459	3004398	5,925	3300456
075 CTE 300 ADJ. CONCAVE	75	300	-	-	-	-	4,990	3004400	6,632	3300457
075 CTE 400 ADJ. CONCAVE	75	400	-	-	-	-	6,051	3004402	8,047	3300458
075 CTE 500 ADJ. CONCAVE	75	500	-	-	-	-	7,113	3004404	9,462	3300459
075 CTE 600 ADJ. CONCAVE	75	600	-	-	-	-	8,174	3004406	10,877	3300460
100 CTE 100 ADJ. CONCAVE	100	100	-	-	-	-	3,344	3004408	4,437	3300461
100 CTE 150 ADJ. CONCAVE	100	150	-	-	-	-	3,875	3004410	5,145	3300462
100 CTE 200 ADJ. CONCAVE	100	200	-	-	-	-	4,406	3234606	5,852	3300463
100 CTE 250 ADJ. CONCAVE	100	250	-	-	-	-	4,937	3234607	6,559	3300464
100 CTE 300 ADJ. CONCAVE	100	300	-	-	-	-	5,467	3234608	7,268	3300465
100 CTE 400 ADJ. CONCAVE	100	400	-	-	-	-	6,529	3234609	8,682	3300466
100 CTE 500 ADJ. CONCAVE	100	500	-	-	-	-	7,590	3234610	10,098	3300467
100 CTE 600 ADJ. CONCAVE	100	600	-	-	-	-	8,652	3234611	11,513	3300468
125 CTE 150 ADJ. CONCAVE	125	150	-	-	-	-	4,360	3234613	5,792	3300469
125 CTE 200 ADJ. CONCAVE	125	200	-	-	-	-	4,892	3234614	6,499	3300470
125 CTE 250 ADJ. CONCAVE	125	250	-	-	-	-	5,422	3234615	7,206	3300471
125 CTE 300 ADJ. CONCAVE	125	300	-	-	-	-	5,953	3234616	7,913	3300472
125 CTE 400 ADJ. CONCAVE	125	400	-	-	-	-	7,014	3234617	9,329	3300473
125 CTE 500 ADJ. CONCAVE	125	500	-	-	-	-	8,075	3234618	10,744	3300474
125 CTE 600 ADJ. CONCAVE	125	600	-	-	-	-	9,137	3234619	12,159	3300475
150 CTE 200 ADJ. CONCAVE	150	200	-	-	-	-	5,347	3234622	7,106	3300476
150 CTE 250 ADJ. CONCAVE	150	250	-	-	-	-	5,877	3234623	7,813	3300477
150 CTE 300 ADJ. CONCAVE	150	300	-	-	-	-	6,409	3234624	8,521	3300478
150 CTE 400 ADJ. CONCAVE	150	400	-	-	-	-	7,470	3234625	9,936	3300479
150 CTE 500 ADJ. CONCAVE	150	500	-	-	-	-	8,531	3234626	11,351	3300480
150 CTE 600 ADJ. CONCAVE	150	600	-	-	-	-	9,592	3234627	12,767	3300481

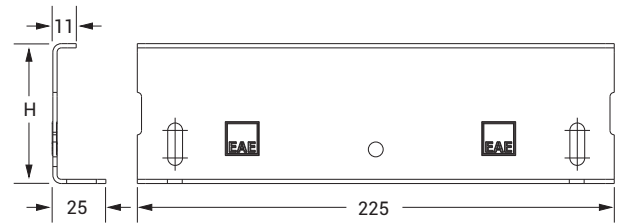
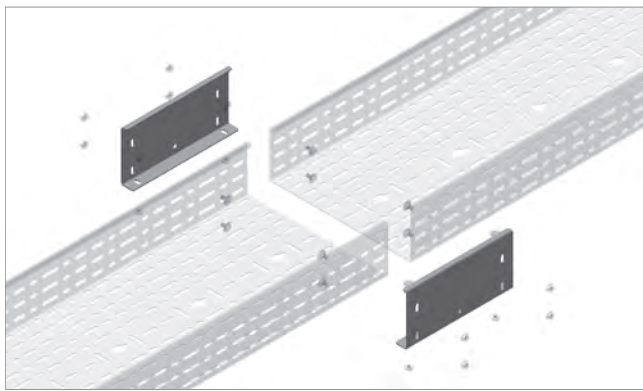


■ Please contact us for special dimensions.
■ Material weights may vary by ± 10%

■ Please indicate order code in your orders.
■ All dimensions are given as in mm

■ PG= Pre-Galvanized
■ HDG= Hot Dip Galvanized

Description	Joining Ladder Thickness (mm)	H (mm)	T (mm)	Weight (kg/pcs)	HDG Code
40 CTE EXPANSION SET	1 - 1,2	40	2	0,627	3006612
40 CTE EXPANSION SET	1,5 - 2	40	2	0,627	3006615
50 CTE EXPANSION SET	1 - 1,2	50	2	0,706	3006613
50 CTE EXPANSION SET	1,5 - 2	50	2	0,706	3006616
60 CTE EXPANSION SET	1 - 1,2	60	2	0,783	3006614
60 CTE EXPANSION SET	1,5 - 2	60	2	0,783	3006617
75 CTE EXPANSION SET	1 - 1,2	75	2	0,900	3006618
100 CTE EXPANSION SET	1,5 - 2	100	2	1,087	3006619
125 CTE EXPANSION SET	1 - 1,2	125	2	1,164	3006620
150 CTE EXPANSION SET	1,5 - 2	150	2	1,334	3006621

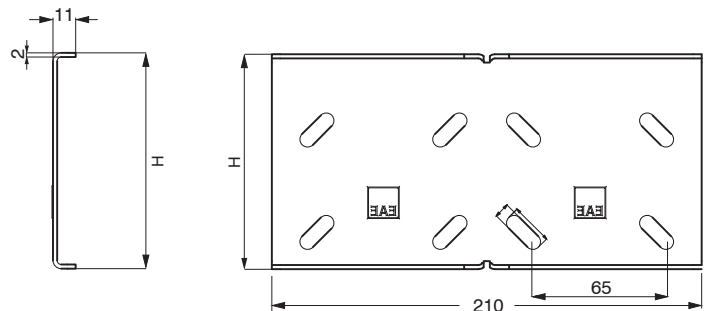
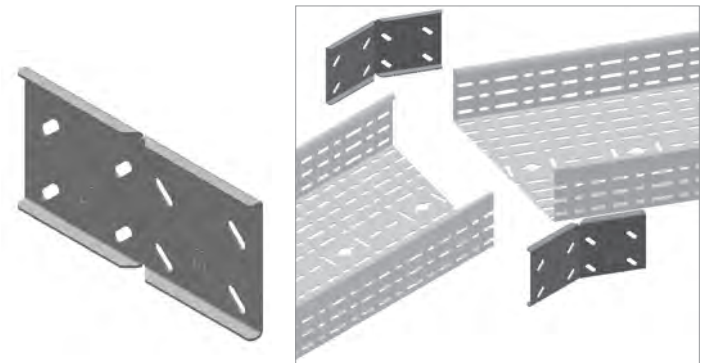


- Expansion set allows 35mm expansion.
- Expansion set includes 2 pcs expansion unit and 8 pcs bolts&nuts for 40-50-60-75-100mm height.
- Expansion set includes 2 pcs expansion unit and 12 pcs bolts&nuts for 125&150mm height.

► CTE Notched Joint Fitting

Hot Dip Galvanized (TS EN ISO 1461)

Description	H (mm)	T (mm)	Weight (kg/pcs)	HDG Code
040 CTE NOTCHED JOIN FITTING	45	1,2	0,124	3380382
050 CTE NOTCHED JOIN FITTING	55	1,2	0,146	3380383
060 CTE NOTCHED JOIN FITTING	65	1,2	0,167	3380384
040 CTE NOTCHED JOIN FITTING	45	1,5	0,155	3380385
050 CTE NOTCHED JOIN FITTING	55	1,5	0,182	3380386
060 CTE NOTCHED JOIN FITTING	65	1,5	0,209	3380387
075 CTE NOTCHED JOIN FITTING	80	1,5	0,245	3380388
100 CTE NOTCHED JOIN FITTING	105	1,5	0,311	3380389
125 CTE NOTCHED JOIN FITTING	130	1,5	0,373	3380390
150 CTE NOTCHED JOIN FITTING	155	1,5	0,440	3380391
040 CTE NOTCHED JOIN FITTING	45	2	0,207	3187841
050 CTE NOTCHED JOIN FITTING	55	2	0,243	3187842
060 CTE NOTCHED JOIN FITTING	65	2	0,278	3187843
075 CTE NOTCHED JOIN FITTING	80	2	0,326	3187844
100 CTE NOTCHED JOIN FITTING	105	2	0,415	3187845
125 CTE NOTCHED JOIN FITTING	130	2	0,497	3187846
150 CTE NOTCHED JOIN FITTING	155	2	0,586	3187847



- Please contact us for special dimensions.
- Material weights may vary by ± 10%

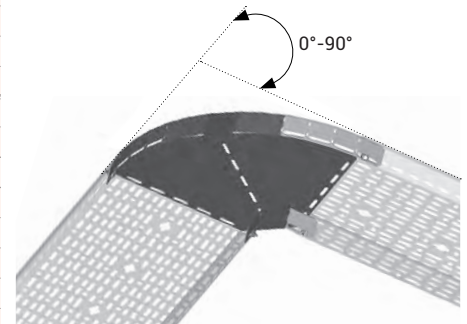
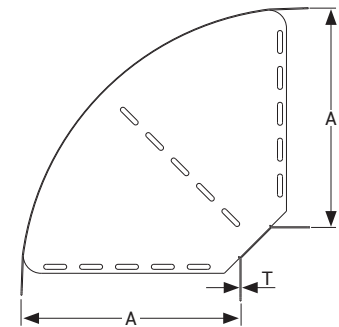
- Please indicate order code in your orders.
- All dimensions are given as in mm

- PG= Pre-Galvanized
- HDG= Hot Dip Galvanized

►► CTE FLEXIBLE BEND

Hot Dip Galvanized (TS EN ISO 1461)

Description	H (mm)	A (mm)	T=1,2		T=1,5		T=2	
			Weight (kg/pcs)	HDG Code	Weight (kg/pcs)	HDG Code	Weight (kg/pcs)	HDG Code
40 CTE 100 FLEXIBLE BEND	40	100	0,301	3300151	0,376	3134535	0,502	3300181
40 CTE 150 FLEXIBLE BEND	40	150	0,459	3358592	0,574	3134536	0,766	3358602
40 CTE 200 FLEXIBLE BEND	40	200	0,673	3300152	0,842	3134540	1,122	3300182
40 CTE 250 FLEXIBLE BEND	40	250	0,913	3358593	1,142	3358587	1,522	3358603
40 CTE 300 FLEXIBLE BEND	40	300	1,193	3300153	1,492	3134541	1,989	3300183
40 CTE 400 FLEXIBLE BEND	40	400	1,914	3300154	2,393	3134542	3,190	3300184
40 CTE 500 FLEXIBLE BEND	40	500	2,775	3300155	3,468	3134543	4,624	3300185
40 CTE 600 FLEXIBLE BEND	40	600	3,799	3300156	4,749	3134544	6,332	3300186
50 CTE 100 FLEXIBLE BEND	50	100	0,356	3300157	0,446	3134545	0,594	3300187
50 CTE 150 FLEXIBLE BEND	50	150	0,521	3358594	0,651	3134546	0,868	3358604
50 CTE 200 FLEXIBLE BEND	50	200	0,750	3300158	0,937	3134547	1,250	3300188
50 CTE 250 FLEXIBLE BEND	50	250	0,995	3358595	1,244	3358588	1,659	3358605
50 CTE 300 FLEXIBLE BEND	50	300	1,280	3300159	1,601	3134548	2,134	3300189
50 CTE 400 FLEXIBLE BEND	50	400	2,032	3300160	2,540	3134549	3,387	3300190
50 CTE 500 FLEXIBLE BEND	50	500	2,914	3300161	3,642	3134550	4,856	3300191
50 CTE 600 FLEXIBLE BEND	50	600	3,958	3300162	4,948	3134551	6,597	3300192
60 CTE 100 FLEXIBLE BEND	60	100	0,411	3300163	0,514	3134552	0,685	3300193
60 CTE 150 FLEXIBLE BEND	60	150	0,580	3358596	0,725	3134553	0,967	3358606
60 CTE 200 FLEXIBLE BEND	60	200	0,824	3300164	1,030	3134554	1,373	3300194
60 CTE 250 FLEXIBLE BEND	60	250	1,077	3358597	1,346	3358589	1,795	3358607
60 CTE 300 FLEXIBLE BEND	60	300	1,365	3300165	1,706	3134555	2,275	3300195
60 CTE 400 FLEXIBLE BEND	60	400	2,145	3300166	2,682	3134556	3,576	3300196
60 CTE 500 FLEXIBLE BEND	60	500	3,047	3300167	3,808	3134557	5,078	3300197
60 CTE 600 FLEXIBLE BEND	60	600	4,110	3300168	5,138	3134558	6,851	3300198
75 CTE 100 FLEXIBLE BEND	75	100	0,474	3300169	0,593	3134559	0,791	3300199
75 CTE 150 FLEXIBLE BEND	75	150	0,651	3358598	0,814	3134560	1,085	3358608
75 CTE 200 FLEXIBLE BEND	75	200	0,905	3300170	1,131	3134561	1,508	3300200
75 CTE 250 FLEXIBLE BEND	75	250	1,162	3358599	1,453	3358590	1,937	3358609
75 CTE 300 FLEXIBLE BEND	75	300	1,461	3300171	1,826	3134562	2,435	3300201
75 CTE 400 FLEXIBLE BEND	75	400	2,269	3300172	2,836	3134563	3,781	3300202
75 CTE 500 FLEXIBLE BEND	75	500	3,186	3300173	3,983	3134564	5,311	3300203
75 CTE 600 FLEXIBLE BEND	75	600	4,268	3300174	5,335	3134565	7,113	3300204
100 CTE 100 FLEXIBLE BEND	100	100	0,592	3300175	0,740	3134566	0,987	3300205
100 CTE 150 FLEXIBLE BEND	100	150	0,789	3358600	0,987	3134567	1,316	3358610
100 CTE 200 FLEXIBLE BEND	100	200	1,060	3300176	1,324	3134568	1,766	3300206
100 CTE 250 FLEXIBLE BEND	100	250	1,331	3358601	1,664	3358591	2,219	3358611
100 CTE 300 FLEXIBLE BEND	100	300	1,641	3300177	2,052	3134569	2,735	3300207
100 CTE 400 FLEXIBLE BEND	100	400	2,504	3300178	3,131	3134570	4,174	3300208
100 CTE 500 FLEXIBLE BEND	100	500	3,459	3300179	4,324	3134571	5,765	3300209
100 CTE 600 FLEXIBLE BEND	100	600	4,578	3300180	5,722	3134572	7,630	3300210

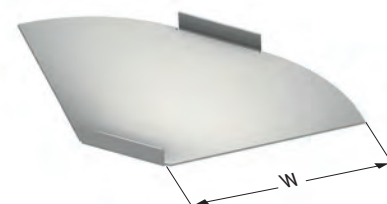


* M6 x 12 bolt set can be selected with the product.

► CTE Flexible Bend Cover

Hot Dip Galvanized (TS EN ISO 1461)

Description	W (mm)	T (mm)	Weight (kg)	HDG Code
050 CTE Flexible Bend Cover	55	1	0,051	3359107
100 CTE Flexible Bend Cover	105	1	0,127	3253947
150 CTE Flexible Bend Cover	155	1	0,235	3253948
200 CTE Flexible Bend Cover	205	1	0,378	3253949
300 CTE Flexible Bend Cover	305	1,2	0,919	3253950
400 CTE Flexible Bend Cover	405	1,2	1,547	3253951
500 CTE Flexible Bend Cover	505	1,5	2,921	3253952
600 CTE Flexible Bend Cover	605	1,5	4,112	3253953

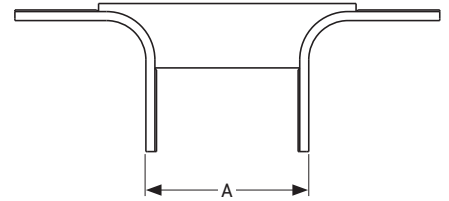
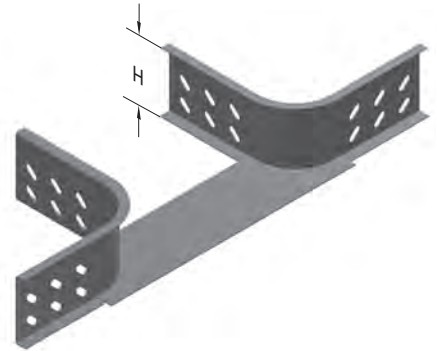


■ Please contact us for special dimensions.
■ Material weights may vary by ± 10%

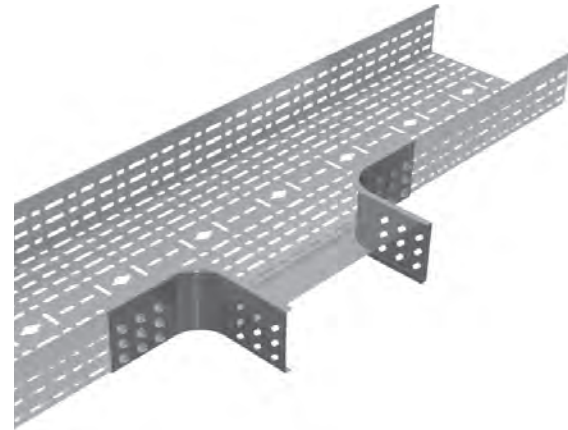
■ Please indicate order code in your orders.
■ All dimensions are given as in mm

■ PG= Pre-Galvanized
■ HDG= Hot Dip Galvanized

Description	H (mm)	A (mm)	T=1,2		T=1,5		T=2	
			Weight (kg/pcs)	HDG Code	Weight (kg/pcs)	HDG Code	Weight (kg/pcs)	HDG Code
040 CTE 050 ADD-ON TEE	40	50	0,470	3086483	0,578	3300771	0,771	3300826
040 CTE 100 ADD-ON TEE	40	100	0,508	3086484	0,625	3300772	0,834	3300827
040 CTE 150 ADD-ON TEE	40	150	0,545	3086485	0,672	3300773	0,897	3300828
040 CTE 200 ADD-ON TEE	40	200	0,584	3086486	0,720	3300774	0,960	3300829
040 CTE 250 ADD-ON TEE	40	250	0,621	3086487	0,767	3300775	1,023	3300830
040 CTE 300 ADD-ON TEE	40	300	0,659	3086488	0,814	3300776	1,086	3300831
040 CTE 400 ADD-ON TEE	40	400	0,735	3086489	0,909	3300777	1,212	3300832
040 CTE 500 ADD-ON TEE	40	500	0,810	3086490	1,003	3300778	1,338	3300833
040 CTE 600 ADD-ON TEE	40	600	0,886	3086491	1,098	3300779	1,464	3300834
050 CTE 050 ADD-ON TEE	50	50	0,534	3086492	0,658	3300780	0,877	3300835
050 CTE 100 ADD-ON TEE	50	100	0,572	3086493	0,705	3300781	0,939	3300836
050 CTE 150 ADD-ON TEE	50	150	0,609	3086494	0,752	3300782	1,002	3300837
050 CTE 200 ADD-ON TEE	50	200	0,647	3086495	0,799	3300783	1,066	3300838
050 CTE 250 ADD-ON TEE	50	250	0,685	3086496	0,846	3300784	1,129	3300839
050 CTE 300 ADD-ON TEE	50	300	0,723	3086497	0,893	3300785	1,191	3300840
050 CTE 400 ADD-ON TEE	50	400	0,799	3086498	0,988	3300786	1,318	3300841
050 CTE 500 ADD-ON TEE	50	500	0,874	3086499	1,082	3300787	1,443	3300842
050 CTE 600 ADD-ON TEE	50	600	0,950	3086500	1,177	3300788	1,570	3300843
060 CTE 050 ADD-ON TEE	60	50	0,576	3359079	0,720	3359080	0,960	3359081
060 CTE 100 ADD-ON TEE	60	100	0,635	3086501	0,784	3300789	1,045	3300844
060 CTE 150 ADD-ON TEE	60	150	0,673	3086502	0,831	3300790	1,108	3300845
060 CTE 200 ADD-ON TEE	60	200	0,711	3086503	0,879	3300791	1,172	3300846
060 CTE 250 ADD-ON TEE	60	250	0,749	3086504	0,926	3300792	1,234	3300847
060 CTE 300 ADD-ON TEE	60	300	0,787	3086505	0,973	3300793	1,297	3300848
060 CTE 400 ADD-ON TEE	60	400	0,862	3086506	1,068	3300794	1,423	3300849
060 CTE 500 ADD-ON TEE	60	500	0,938	3086507	1,162	3300795	1,549	3300850
060 CTE 600 ADD-ON TEE	60	600	1,014	3086508	1,256	3300796	1,675	3300851
075 CTE 100 ADD-ON TEE	75	100	0,717	3086509	0,886	3300797	1,181	3300852
075 CTE 150 ADD-ON TEE	75	150	0,754	3086510	0,933	3300798	1,244	3300853
075 CTE 200 ADD-ON TEE	75	200	0,793	3086511	0,981	3300799	1,308	3300854
075 CTE 250 ADD-ON TEE	75	250	0,830	3086512	1,028	3300800	1,371	3300855
075 CTE 300 ADD-ON TEE	75	300	0,868	3086513	1,075	3300801	1,433	3300856
075 CTE 400 ADD-ON TEE	75	400	0,944	3086514	1,170	3300802	1,560	3300857
075 CTE 500 ADD-ON TEE	75	500	1,019	3086515	1,264	3300803	1,685	3300858
075 CTE 600 ADD-ON TEE	75	600	1,095	3086516	1,359	3300804	1,812	3300859
100 CTE 100 ADD-ON TEE	100	100	0,862	3086517	1,066	3300805	1,421	3300860
100 CTE 150 ADD-ON TEE	100	150	0,900	3086518	1,113	3300806	1,484	3300861
100 CTE 200 ADD-ON TEE	100	200	0,938	3086519	1,161	3300807	1,548	3300862
100 CTE 250 ADD-ON TEE	100	250	0,975	3086520	1,208	3300808	1,610	3300863
100 CTE 300 ADD-ON TEE	100	300	1,013	3086521	1,255	3300809	1,673	3300864
100 CTE 400 ADD-ON TEE	100	400	1,089	3086522	1,350	3300810	1,800	3300865
100 CTE 500 ADD-ON TEE	100	500	1,164	3086523	1,444	3300811	1,925	3300866
100 CTE 600 ADD-ON TEE	100	600	1,240	3086524	1,539	3300812	2,052	3300867
125 CTE 150 ADD-ON TEE	125	150	-	-	1,294	3086525	1,726	3300868
125 CTE 200 ADD-ON TEE	125	200	-	-	1,342	3086526	1,790	3300869
125 CTE 250 ADD-ON TEE	125	250	-	-	1,389	3086527	1,852	3300870
125 CTE 300 ADD-ON TEE	125	300	-	-	1,436	3086528	1,915	3300871
125 CTE 400 ADD-ON TEE	125	400	-	-	1,531	3086529	2,042	3300872
125 CTE 500 ADD-ON TEE	125	500	-	-	1,625	3086530	2,167	3300873
125 CTE 600 ADD-ON TEE	125	600	-	-	1,720	3086531	2,294	3300874
150 CTE 200 ADD-ON TEE	150	200	-	-	1,523	3086532	2,030	3300875
150 CTE 250 ADD-ON TEE	150	250	-	-	1,570	3086533	2,092	3300876
150 CTE 300 ADD-ON TEE	150	300	-	-	1,617	3086534	2,155	3300877
150 CTE 400 ADD-ON TEE	150	400	-	-	1,712	3086535	2,281	3300878
150 CTE 500 ADD-ON TEE	150	500	-	-	1,806	3086536	2,407	3300879
150 CTE 600 ADD-ON TEE	150	600	-	-	1,901	3086537	2,533	3300880



CT

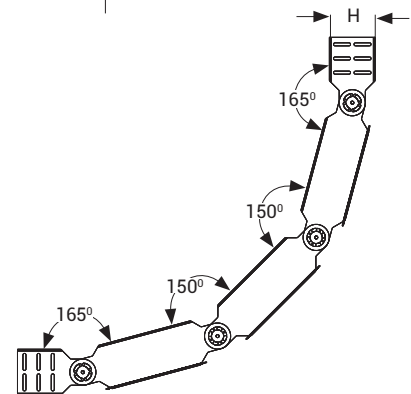


■ Please contact us for special dimensions.
 ■ Material weights may vary by ± 10%

■ Please indicate order code in your orders.
 ■ All dimensions are given as in mm

■ PG= Pre-Galvanized
 ■ HDG= Hot Dip Galvanized

Description	H (mm)	A (mm)	T=1,2		T=1,5		T=2	
			Weight (kg/pcs)	HDG Code	Weight (kg/pcs)	HDG Code	Weight (kg/pcs)	HDG Code
040 CTE 050 SDM	40	50	1,323	3301109	1,803	3301151	2,405	3005390
040 CTE 100 SDM	40	100	1,555	3301110	2,121	3301152	2,828	3005388
040 CTE 150 SDM	40	150	1,789	3301111	2,440	3301153	3,253	3005386
040 CTE 200 SDM	40	200	2,023	3301112	2,758	3301154	3,677	3005384
040 CTE 250 SDM	40	250	2,256	3301113	3,076	3301155	4,102	3005382
040 CTE 300 SDM	40	300	2,490	3301114	3,395	3301156	4,527	3005380
040 CTE 400 SDM	40	400	2,957	3301115	4,032	3301157	5,376	3005378
040 CTE 500 SDM	40	500	3,424	3301116	4,669	3301158	6,225	3005376
040 CTE 600 SDM	40	600	3,891	3301117	5,306	3301159	7,074	3005374
050 CTE 050 SDM	50	50	1,473	3301118	2,008	3301160	2,677	3001193
050 CTE 100 SDM	50	100	1,706	3301119	2,327	3301161	3,102	3006707
050 CTE 150 SDM	50	150	1,940	3301120	2,645	3301162	3,527	3006705
050 CTE 200 SDM	50	200	2,173	3301121	2,963	3301163	3,951	3006703
050 CTE 250 SDM	50	250	2,407	3301122	3,282	3301164	4,376	3006701
050 CTE 300 SDM	50	300	2,640	3301123	3,600	3301165	4,800	3006699
050 CTE 400 SDM	50	400	3,107	3301124	4,237	3301166	5,650	3006697
050 CTE 500 SDM	50	500	3,574	3301125	4,873	3301167	6,498	3006695
050 CTE 600 SDM	50	600	4,041	3301126	5,510	3301168	7,347	3006693
060 CTE 050 SDM	60	50	1,763	3359101	2,204	3359102	2,939	3359103
060 CTE 100 SDM	60	100	1,909	3301127	2,603	3301169	3,471	3005372
060 CTE 150 SDM	60	150	2,142	3301128	2,921	3301170	3,895	3005370
060 CTE 200 SDM	60	200	2,376	3301129	3,240	3301171	4,320	3005368
060 CTE 250 SDM	60	250	2,609	3301130	3,558	3301172	4,744	3005366
060 CTE 300 SDM	60	300	2,843	3301131	3,877	3301173	5,169	3005364
060 CTE 400 SDM	60	400	3,310	3301132	4,514	3301174	6,018	3005362
060 CTE 500 SDM	60	500	3,776	3301133	5,150	3301175	6,866	3005360
060 CTE 600 SDM	60	600	4,243	3301134	5,787	3301176	7,715	3005358
075 CTE 100 SDM	75	100	1,992	3301135	2,717	3301177	3,622	3006691
075 CTE 150 SDM	75	150	2,148	3301136	2,930	3301178	3,906	3006689
075 CTE 200 SDM	75	200	2,304	3301137	3,142	3301179	4,190	3006687
075 CTE 250 SDM	75	250	2,460	3301138	3,354	3301180	4,473	3006685
075 CTE 300 SDM	75	300	2,616	3301139	3,567	3301181	4,756	3006683
075 CTE 400 SDM	75	400	2,928	3301140	3,992	3301182	5,323	3006681
075 CTE 500 SDM	75	500	3,240	3301141	4,418	3301183	5,891	3006679
075 CTE 600 SDM	75	600	3,551	3301142	4,843	3301184	6,457	3006677
100 CTE 100 SDM	100	100	2,281	3301143	3,110	3301185	4,147	3001194
100 CTE 150 SDM	100	150	2,437	3301144	3,323	3301186	4,431	3006675
100 CTE 200 SDM	100	200	2,592	3301145	3,535	3301187	4,714	3006673
100 CTE 250 SDM	100	250	2,749	3301146	3,748	3301188	4,997	3006671
100 CTE 300 SDM	100	300	2,905	3301147	3,961	3301189	5,281	3006669
100 CTE 400 SDM	100	400	3,216	3301148	4,386	3301190	5,848	3006667
100 CTE 500 SDM	100	500	3,528	3301149	4,811	3301191	6,414	3006665
100 CTE 600 SDM	100	600	3,840	3301150	5,236	3301192	6,982	3006663
125 CTE 150 SDM	125	150	-	-	3,623	3301193	4,830	3003313
125 CTE 200 SDM	125	200	-	-	3,759	3301194	5,012	3003314
125 CTE 250 SDM	125	250	-	-	3,895	3301195	5,193	3003315
125 CTE 300 SDM	125	300	-	-	4,031	3301196	5,375	3003316
125 CTE 400 SDM	125	400	-	-	4,302	3301197	5,737	3003317
125 CTE 500 SDM	125	500	-	-	4,575	3301198	6,100	3003318
125 CTE 600 SDM	125	600	-	-	4,847	3301199	6,463	3003319
150 CTE 200 SDM	150	200	-	-	4,037	3301200	5,382	3003320
150 CTE 250 SDM	150	250	-	-	4,173	3301201	5,564	3003321
150 CTE 300 SDM	150	300	-	-	4,309	3301202	5,745	3003322
150 CTE 400 SDM	150	400	-	-	4,581	3301203	6,108	3003323
150 CTE 500 SDM	150	500	-	-	4,853	3301204	6,470	3003324
150 CTE 600 SDM	150	600	-	-	5,125	3301205	6,833	3003325



Includes:
 1 Unit of Level Adaptation Bend,
 16 Units of M6x12 Bolts,
 16 Units of M6 Bolt Nuts and
 4 Units of SDE.

■ Please contact us for special dimensions.
 ■ Material weights may vary by ± 10%

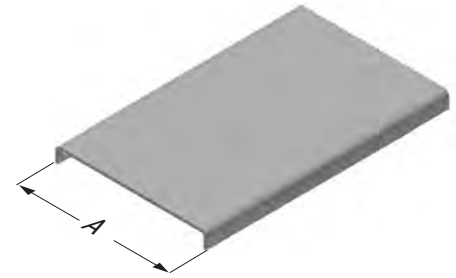
■ Please indicate order code in your orders.
 ■ All dimensions are given as in mm

■ PG= Pre-Galvanized
 ■ HDG= Hot Dip Galvanized

►►CTE LEVEL ADAPTATION BEND COVER

Hot Dip Galvanized (TS EN ISO 1461)

Description	A (mm)	T=1,2		T=1,5		T=2	
		Weight (kg/pcs)	HDG Code	Weight (kg/pcs)	HDG Code	Weight (kg/pcs)	HDG Code
040-050-060 CTE SDM COVER 50	50	0,148	3301015	0,185	3301056	0,246	3253425
040-050-060 CTE SDM COVER 100	100	0,251	3301016	0,314	3301057	0,419	3253426
040-050-060 CTE SDM COVER 150	150	0,355	3301017	0,444	3301058	0,592	3253427
040-050-060 CTE SDM COVER 200	200	0,459	3301018	0,573	3301059	0,765	3253428
040-050-060 CTE SDM COVER 250	250	0,562	3301019	0,703	3301060	0,937	3253429
040-050-060 CTE SDM COVER 300	300	0,666	3301020	0,832	3301061	1,110	3253430
040-050-060 CTE SDM COVER 400	400	0,873	3301021	1,091	3301062	1,455	3253431
040-050-060 CTE SDM COVER 500	500	1,080	3301022	1,351	3301063	1,801	3253432
040-050-060 CTE SDM COVER 600	600	1,288	3301023	1,610	3301064	2,146	3253433
075 CTE SDM COVER 100	100	0,214	3301024	0,267	3301065	0,356	3253435
075 CTE SDM COVER 150	150	0,302	3301025	0,378	3301066	0,504	3253436
075 CTE SDM COVER 200	200	0,390	3301026	0,488	3301067	0,650	3253437
075 CTE SDM COVER 250	250	0,478	3301027	0,597	3301068	0,796	3253439
075 CTE SDM COVER 300	300	0,566	3301028	0,708	3301069	0,944	3253441
075 CTE SDM COVER 400	400	0,743	3301029	0,928	3301070	1,238	3253442
075 CTE SDM COVER 500	500	0,919	3301030	1,148	3301071	1,531	3253443
075 CTE SDM COVER 600	600	1,095	3301031	1,369	3301072	1,825	3253444
100-125-150 CTE SDM COVER 100	100	0,189	3302054	0,236	3302053	0,315	3302052
100-125-150 CTE SDM COVER 150	150	0,267	3301032	0,333	3301073	0,444	3253445
100-125-150 CTE SDM COVER 200	200	0,344	3301033	0,430	3301074	0,573	3253446
100-125-150 CTE SDM COVER 250	250	0,422	3301034	0,527	3301075	0,703	3253447
100-125-150 CTE SDM COVER 300	300	0,500	3301035	0,625	3301076	0,833	3253448
100-125-150 CTE SDM COVER 400	400	0,655	3301036	0,818	3301077	1,091	3253449
100-125-150 CTE SDM COVER 500	500	0,810	3301037	1,013	3301078	1,351	3253450
100-125-150 CTE SDM COVER 600	600	0,966	3301038	1,207	3301079	1,609	3253451



CT

►►CTE Add-On Tee Cover

Hot Dip Galvanized (TS EN ISO 1461)

Description	A (mm)	T=1,2		T=1,5		T=2	
		Weight (kg/pcs)	HDG Code	Weight (kg/pcs)	HDG Code	Weight (kg/pcs)	HDG Code
CTE 050 Add-On Tee Cover	50	0,097	3300905	0,121	3300914	0,161	3300923
CTE 100 Add-On Tee Cover	100	0,139	3300906	0,173	3300915	0,231	3300924
CTE 150 Add-On Tee Cover	150	0,179	3300907	0,224	3300916	0,299	3300925
CTE 200 Add-On Tee Cover	200	0,221	3300908	0,276	3300917	0,369	3300926
CTE 250 Add-On Tee Cover	250	0,263	3300909	0,329	3300918	0,438	3300927
CTE 300 Add-On Tee Cover	300	0,304	3300910	0,380	3300919	0,506	3300928
CTE 400 Add-On Tee Cover	400	0,387	3300911	0,484	3300920	0,645	3300929
CTE 500 Add-On Tee Cover	500	0,470	3300912	0,587	3300921	0,783	3300930
CTE 600 Add-On Tee Cover	600	0,552	3300913	0,690	3300922	0,920	3300931

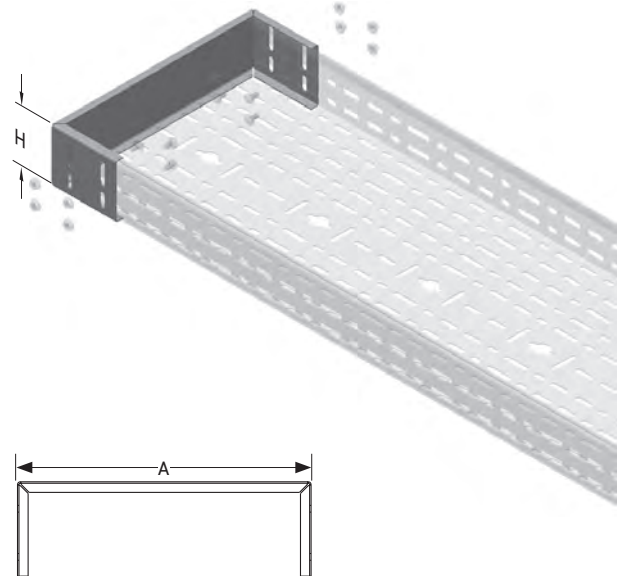


■ Please contact us for special dimensions.
 ■ Material weights may vary by ± 10%

■ Please indicate order code in your orders.
 ■ All dimensions are given as in mm

■ PG= Pre-Galvanized
 ■ HDG= Hot Dip Galvanized

Description	H (mm)	A (mm)	T (mm)	Weight (kg/pcs)	HDG Code
040 CTE 050	40	50	2	0,229	3030318
040 CTE 100	40	100	2	0,282	3030319
040 CTE 150	40	150	2	0,334	3030320
040 CTE 200	40	200	2	0,391	3030321
040 CTE 250	40	250	2	0,438	3030322
040 CTE 300	40	300	2	0,491	3030323
040 CTE 400	40	400	2	0,593	3030324
040 CTE 500	40	500	2	0,701	3030325
040 CTE 600	40	600	2	0,803	3030326
050 CTE 050	50	50	2	0,271	3030327
050 CTE 100	50	100	2	0,333	3030328
050 CTE 150	50	150	2	0,393	3030329
050 CTE 200	50	200	2	0,454	3030330
050 CTE 250	50	250	2	0,515	3030331
050 CTE 300	50	300	2	0,576	3030332
050 CTE 400	50	400	2	0,697	3030333
050 CTE 500	50	500	2	0,818	3030334
050 CTE 600	50	600	2	0,941	3030335
060 CTE 050	60	50	2	0,303	3359104
060 CTE 100	60	100	2	0,381	3030336
060 CTE 150	60	150	2	0,449	3030337
060 CTE 200	60	200	2	0,519	3030338
060 CTE 250	60	250	2	0,588	3030339
060 CTE 300	60	300	2	0,657	3030340
060 CTE 400	60	400	2	0,797	3030341
060 CTE 500	60	500	2	0,935	3030342
060 CTE 600	60	600	2	1,074	3030343
075 CTE 100	75	100	2	0,449	3030344
075 CTE 150	75	150	2	0,532	3030345
075 CTE 200	75	200	2	0,614	3030346
075 CTE 250	75	250	2	0,697	3030347
075 CTE 300	75	300	2	0,779	3030348
075 CTE 400	75	400	2	0,944	3030349
075 CTE 500	75	500	2	1,109	3030350
075 CTE 600	75	600	2	1,273	3030351
100 CTE 100	100	100	2	0,568	3030352
100 CTE 150	100	150	2	0,671	3030353
100 CTE 200	100	200	2	0,776	3030354
100 CTE 250	100	250	2	0,879	3030355
100 CTE 300	100	300	2	0,984	3030356
100 CTE 400	100	400	2	1,192	3030357
100 CTE 500	100	500	2	1,411	3030358
100 CTE 600	100	600	2	1,608	3030359
125 CTE 150	125	150	2	0,822	3030360
125 CTE 200	125	200	2	0,943	3030361
125 CTE 250	125	250	2	1,069	3030362
125 CTE 300	125	300	2	1,194	3030363
125 CTE 400	125	400	2	1,445	3030364
125 CTE 500	125	500	2	1,697	3030365
125 CTE 600	125	600	2	1,947	3030366
150 CTE 200	150	200	2	1,103	3030367
150 CTE 250	150	250	2	1,251	3030368
150 CTE 300	150	300	2	1,396	3030369
150 CTE 400	150	400	2	1,691	3030370
150 CTE 500	150	500	2	1,985	3030371
150 CTE 600	150	600	2	2,281	3030372



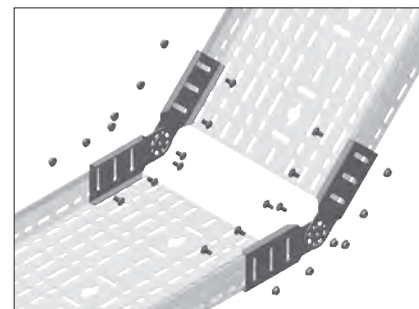
■ Please contact us for special dimensions.
 ■ Material weights may vary by ± 10%

■ Please indicate order code in your orders.
 ■ All dimensions are given as in mm

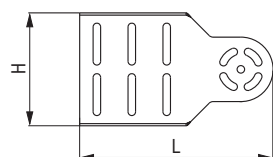
■ PG= Pre-Galvanized
 ■ HDG= Hot Dip Galvanized

Description	H (mm)	Pack (pcs)	T=1,2		T=1,5		T=2	
			Weight (kg/pcs)	HDG Code	Weight (kg/pcs)	HDG Code	Weight (kg/pcs)	HDG Code
040 SDE	40	10	0,344	3300945	0,420	3300950	0,548	3005394
050 SDE	50	10	0,396	3300946	0,484	3300951	0,636	3006951
060 SDE	60	10	0,428	3300947	0,524	3300952	0,688	3005392
075 SDE	75	10	0,548	3300948	0,676	3300953	0,888	3006949
100 SDE	100	10	0,652	3300949	0,804	3300954	1,060	3006947
125 SDE	125	10	-	-	1,072	3300955	1,412	3003326
150 SDE	150	10	-	-	1,176	3300956	1,556	3003327

Level Adaptation Joint Set



Includes: 4 Units of Level Adaptation Joint, 4 Units of M6x12 Bolts, 4 Units of M6 Bolt Nuts.

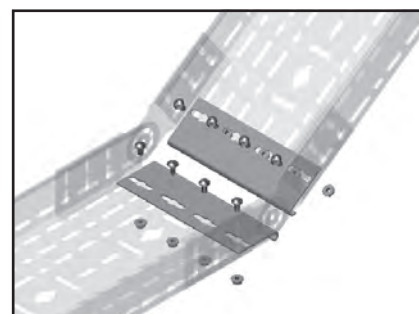
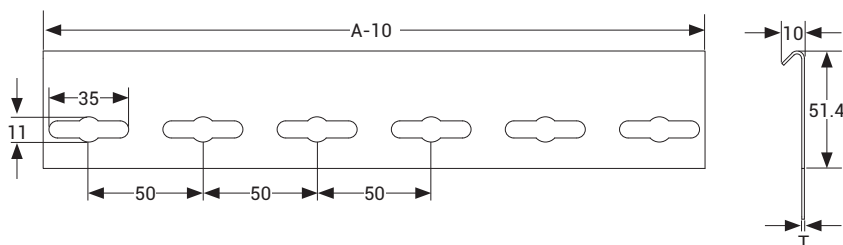


40/50/60 CTE-SDE L=160
75/100 CTE-SDE L=180

► CTE SDE Bend Protection Plate

Hot Dip Galvanized (TS EN ISO 1461)

Description	A (mm)	T (mm)	Weight (kg/pcs)	HDG Code
CTE SDE ELBOW PROTECTION PLATE	100	1,2	0,059	3135694
CTE SDE ELBOW PROTECTION PLATE	150	1,2	0,091	3135695
CTE SDE ELBOW PROTECTION PLATE	200	1,2	0,125	3135696
CTE SDE ELBOW PROTECTION PLATE	250	1,2	0,156	3135697
CTE SDE ELBOW PROTECTION PLATE	300	1,2	0,190	3135698
CTE SDE ELBOW PROTECTION PLATE	400	1,2	0,256	3135699
CTE SDE ELBOW PROTECTION PLATE	500	1,2	0,321	3135700
CTE SDE ELBOW PROTECTION PLATE	600	1,2	0,387	3135701

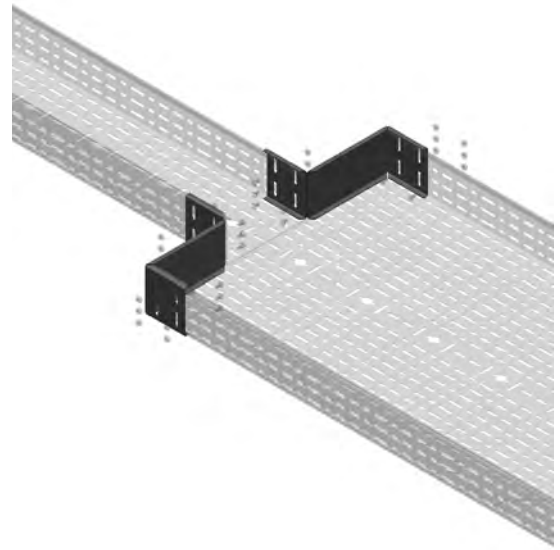


■ Please contact us for special dimensions.
■ Material weights may vary by ± 10%

■ Please indicate order code in your orders.
■ All dimensions are given as in mm

■ PG= Pre-Galvanized
■ HDG= Hot Dip Galvanized

Description	H (mm)	A (mm)	T (mm)	Weight (kg/pcs)	HDG Code
40 CTE RD 025	40	25	2	0,411	3006059
40 CTE RD 050	40	50	2	0,464	3006057
40 CTE RD 100	40	100	2	0,568	3006055
40 CTE RD 150	40	150	2	0,673	3006053
40 CTE RD 200	40	200	2	0,777	3006051
40 CTE RD 250	40	250	2	0,882	3006049
40 CTE RD 300	40	300	2	0,986	3006047
50 CTE RD 025	50	25	2	0,488	3006045
50 CTE RD 050	50	50	2	0,550	3006043
50 CTE RD 100	50	100	2	0,671	3006041
50 CTE RD 150	50	150	2	0,792	3006039
50 CTE RD 200	50	200	2	0,913	3006037
50 CTE RD 250	50	250	2	1,036	3006035
50 CTE RD 300	50	300	2	1,157	3006033
60 CTE RD 025	60	25	2	0,548	3006031
60 CTE RD 050	60	50	2	0,616	3006029
60 CTE RD 100	60	100	2	0,755	3006027
60 CTE RD 150	60	150	2	0,893	3006025
60 CTE RD 200	60	200	2	1,034	3006023
60 CTE RD 250	60	250	2	1,173	3006021
60 CTE RD 300	60	300	2	1,311	3006019
75 CTE RD 025	75	25	2	0,647	3006935
75 CTE RD 050	75	50	2	0,730	3006933
75 CTE RD 100	75	100	2	0,895	3006931
75 CTE RD 150	75	150	2	1,060	3006929
75 CTE RD 200	75	200	2	1,223	3006927
75 CTE RD 250	75	250	2	1,388	3006925
75 CTE RD 300	75	300	2	1,553	3006923
100 CTE RD 025	100	25	2	0,838	3006921
100 CTE RD 050	100	50	2	0,944	3006919
100 CTE RD 100	100	100	2	1,151	3006917
100 CTE RD 150	100	150	2	1,360	3006915
100 CTE RD 200	100	200	2	1,566	3006913
100 CTE RD 250	100	250	2	1,775	3006911
100 CTE RD 300	100	300	2	1,982	3006909
125 CTE RD 025	125	25	2	1,021	3003346
125 CTE RD 050	125	50	2	1,146	3003347
125 CTE RD 100	125	100	2	1,397	3003348
125 CTE RD 150	125	150	2	1,650	3003349
125 CTE RD 200	125	200	2	1,901	3003350
125 CTE RD 250	125	250	2	2,152	3003351
125 CTE RD 300	125	300	2	2,402	3003352
150 CTE RD 025	150	25	2	1,192	3003353
150 CTE RD 050	150	50	2	1,340	3003354
150 CTE RD 100	150	100	2	1,635	3003355
150 CTE RD 150	150	150	2	1,927	3003356
150 CTE RD 200	150	200	2	2,222	3003357
150 CTE RD 250	150	250	2	2,517	3003358
150 CTE RD 300	150	300	2	2,812	3003359

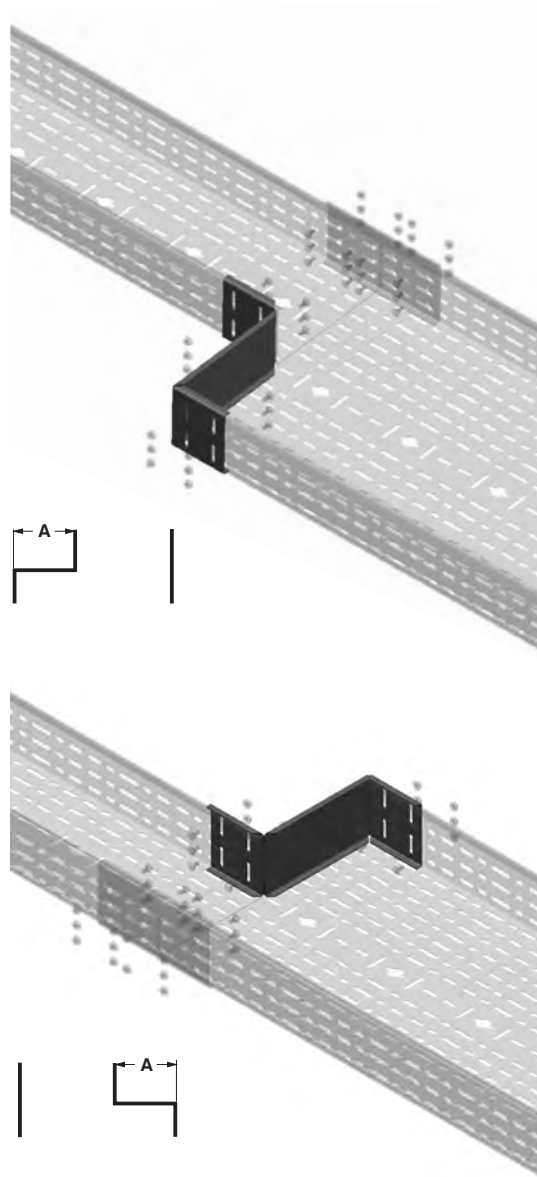


■ Please contact us for special dimensions.
 ■ Material weights may vary by ± 10%

■ Please indicate order code in your orders.
 ■ All dimensions are given as in mm

■ PG= Pre-Galvanized
 ■ HDG= Hot Dip Galvanized

Description	H (mm)	A (mm)	T (mm)	Weight (kg/pcs)	HDG Code
40 CTE RD025	40	25	2	0,206	3002260
40 CTE RD050	40	50	2	0,232	3002262
40 CTE RD100	40	100	2	0,284	3002264
40 CTE RD150	40	150	2	0,337	3002266
40 CTE RD200	40	200	2	0,388	3002268
40 CTE RD250	40	250	2	0,441	3002270
40 CTE RD300	40	300	2	0,493	3002272
50 CTE RD025	50	25	2	0,244	3002274
50 CTE RD050	50	50	2	0,275	3002276
50 CTE RD100	50	100	2	0,336	3002278
50 CTE RD150	50	150	2	0,396	3002280
50 CTE RD200	50	200	2	0,457	3002282
50 CTE RD250	50	250	2	0,518	3002284
50 CTE RD300	50	300	2	0,579	3002286
60 CTE RD025	60	25	2	0,274	3002288
60 CTE RD050	60	50	2	0,308	3002290
60 CTE RD 100	60	100	2	0,377	3002292
60 CTE RD150	60	150	2	0,447	3002294
60 CTE RD200	60	200	2	0,517	3002296
60 CTE RD250	60	250	2	0,586	3002298
60 CTE RD300	60	300	2	0,656	3002300
75 CTE RD025	75	25	2	0,323	3002302
75 CTE RD050	75	50	2	0,365	3002304
75 CTE RD100	75	100	2	0,448	3002306
75 CTE RD150	75	150	2	0,530	3002308
75 CTE RD200	75	200	2	0,612	3002310
75 CTE RD250	75	250	2	0,694	3002312
75 CTE RD300	75	300	2	0,777	3002314
100 CTE RD025	100	25	2	0,419	3002316
100 CTE RD050	100	50	2	0,472	3002318
100 CTE RD100	100	100	2	0,575	3002320
100 CTE RD150	100	150	2	0,680	3002322
100 CTE RD200	100	200	2	0,783	3002324
100 CTE RD250	100	250	2	0,888	3002326
100 CTE RD300	100	300	2	0,991	3002328
125 CTE RD025	125	25	2	0,510	3003332
125 CTE RD050	125	50	2	0,573	3003333
125 CTE RD100	125	100	2	0,699	3003334
125 CTE RD150	125	150	2	0,825	3003335
125 CTE RD200	125	200	2	0,950	3003336
125 CTE RD250	125	250	2	1,076	3003337
125 CTE RD300	125	300	2	1,201	3003338
150 CTE RD025	150	25	2	0,596	3003339
150 CTE RD050	150	50	2	0,670	3003340
150 CTE RD100	150	100	2	0,817	3003341
150 CTE RD150	150	150	2	0,964	3003342
150 CTE RD200	150	200	2	1,111	3003343
150 CTE RD250	150	250	2	1,258	3003344
150 CTE RD300	150	300	2	1,406	3003345



CT

■ Please contact us for special dimensions.
 ■ Material weights may vary by ± 10%

■ Please indicate order code in your orders.
 ■ All dimensions are given as in mm

■ PG= Pre-Galvanized
 ■ HDG= Hot Dip Galvanized

▶▶ PROJECT DESIGN FORM

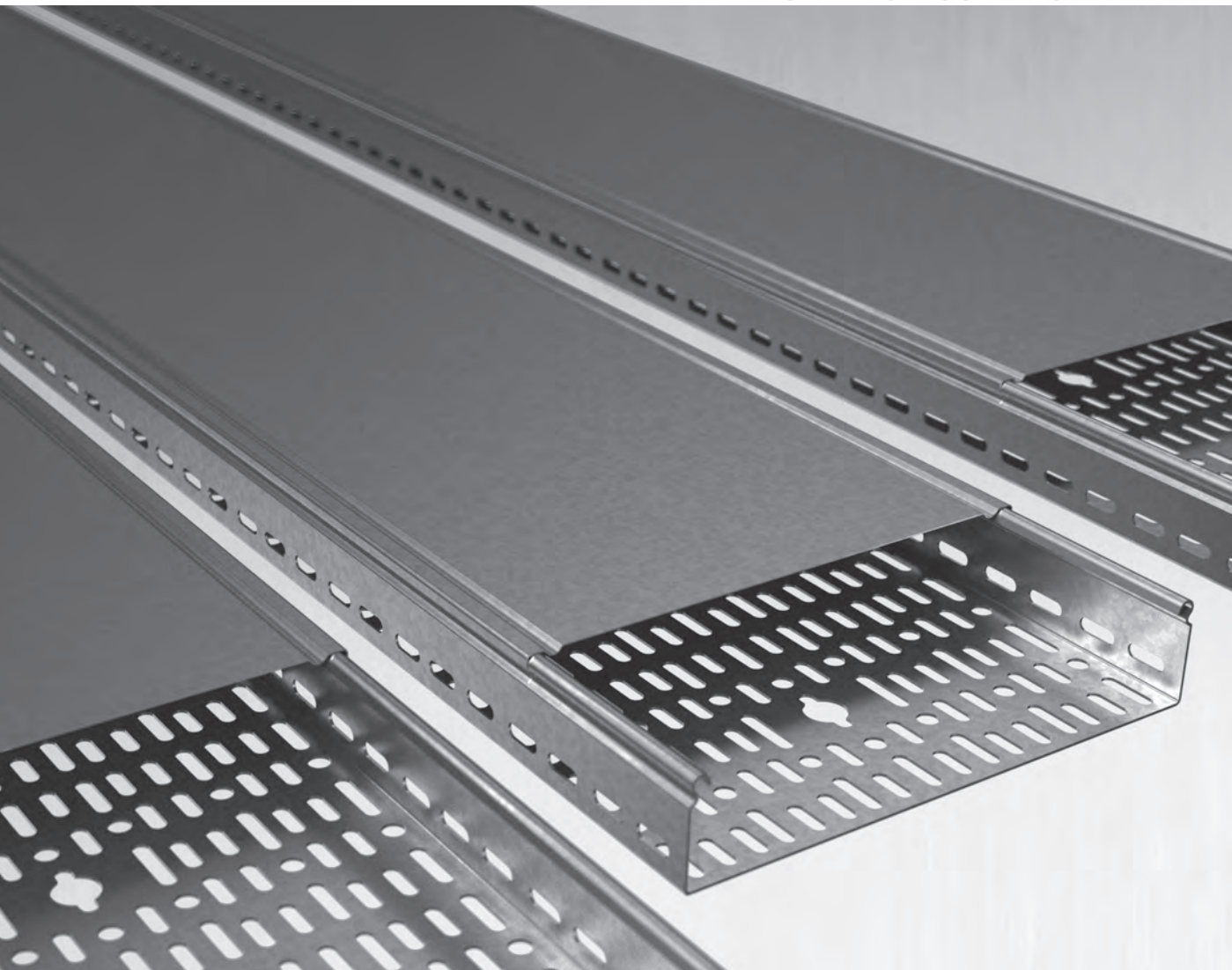
	Component List						
Item	Component	Quantity					
			Company: Project: Project No:			Name : Date : Signature :	
			Prepared by				
(This area contains a grid pattern for drawing or calculations)							

Please duplicate this page for your own use.



E-LINE CTK

SNAP-ON COVER CABLE TRAY



CTK

E-LINE CTK

Please visit our website for the updated version of our catalogues.
www.eaeelectric.com



CONTENTS

▶▶ E-LINE CTK

Cable Tray	2-3
Flexible Bends	4-7
Fixing Accessories	8
Level Adaptation Joint Set / Level Adaptation Bend	9
Reductions.....	10-11
Blind End	12

E-LINECTK

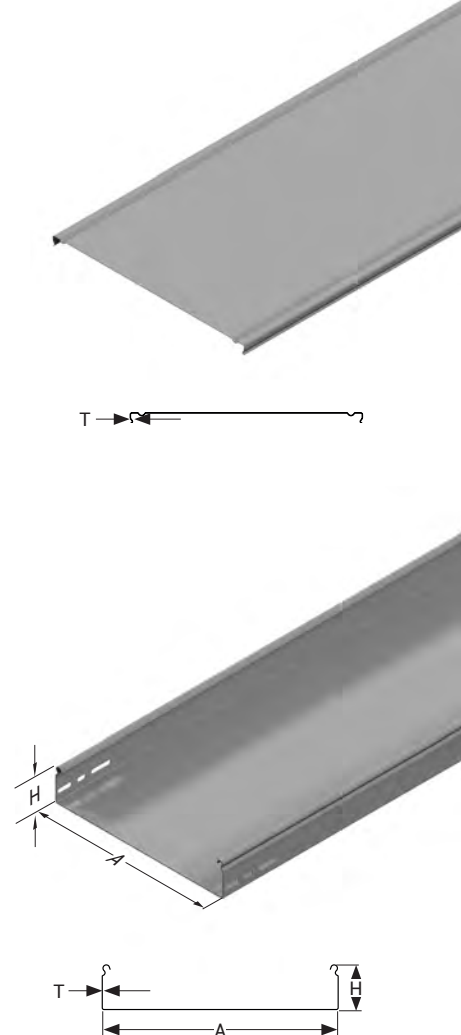
▶▶ CABLE TRAYS

▶ CTK-D Cable Tray

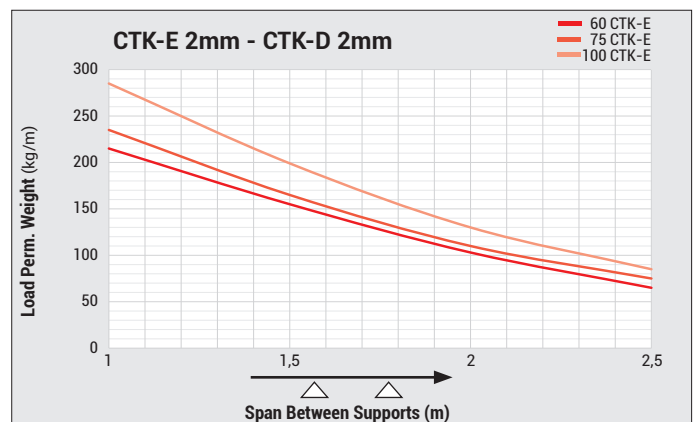
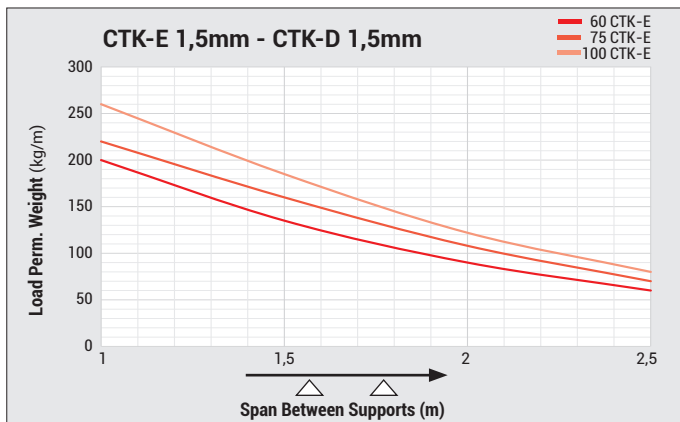
Hot Dip Galvanized (TS EN ISO 1461)



Description	H (mm)	A (mm)	T=1,5		T=2		T=1,5 COVER		T=2 COVER	
			Weight (kg/m)	HDG Code	Weight (kg/m)	HDG Code	Weight (kg/m)	HDG Code	Weight (kg/m)	HDG Code
060 CTK-D 100	60	100	2,993	2002166	-	-	1,810	2002190	-	-
060 CTK-D 150	60	150	3,641	2002167	-	-	2,456	2002191	-	-
060 CTK-D 200	60	200	4,289	2002168	-	-	3,104	2002192	-	-
060 CTK-D 250	60	250	4,937	2002169	-	-	3,752	2002193	-	-
060 CTK-D 300	60	300	5,584	2002170	-	-	4,337	2002194	-	-
060 CTK-D 400	60	400	-	-	9,332	2002171	-	-	7,593	2002195
060 CTK-D 500	60	500	-	-	10,899	2002172	-	-	9,321	2002196
060 CTK-D 600	60	600	-	-	12,627	2002173	-	-	11,046	2002197
075 CTK-D 100	75	100	3,374	2002174	-	-	1,810	2002190	-	-
075 CTK-D 150	75	150	4,022	2002175	-	-	2,456	2002191	-	-
075 CTK-D 200	75	200	4,668	2002176	-	-	3,104	2002192	-	-
075 CTK-D 250	75	250	5,171	2002177	-	-	3,752	2002193	-	-
075 CTK-D 300	75	300	5,964	2002178	-	-	4,337	2002194	-	-
075 CTK-D 400	75	400	-	-	9,679	2002179	-	-	7,593	2002195
075 CTK-D 500	75	500	-	-	11,419	2002180	-	-	9,321	2002196
075 CTK-D 600	75	600	-	-	13,144	2002181	-	-	11,046	2002197
100 CTK-D 100	100	100	4,013	2002182	-	-	1,810	2002190	-	-
100 CTK-D 150	100	150	4,661	2002183	-	-	2,456	2002191	-	-
100 CTK-D 200	100	200	5,308	2002184	-	-	3,104	2002192	-	-
100 CTK-D 250	100	250	5,955	2002185	-	-	3,752	2002193	-	-
100 CTK-D 300	100	300	6,623	2002186	-	-	4,337	2002194	-	-
100 CTK-D 400	100	400	-	-	10,531	2002187	-	-	7,593	2002195
100 CTK-D 500	100	500	-	-	12,247	2002188	-	-	9,321	2002196
100 CTK-D 600	100	600	-	-	14,020	2002189	-	-	11,046	2002197



■ Conduits and covers must be ordered separately.



- Standard length is 3000 mm.
- Please contact us for special dimensions.
- Material weights may vary by ± 10%

- Please indicate order code in your orders.
- All dimensions are given as in mm

- PG= Pre-Galvanized
- HDG= Hot Dip Galvanized

E-LINECTK

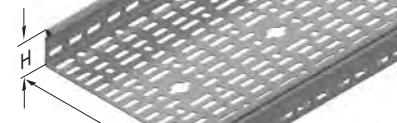
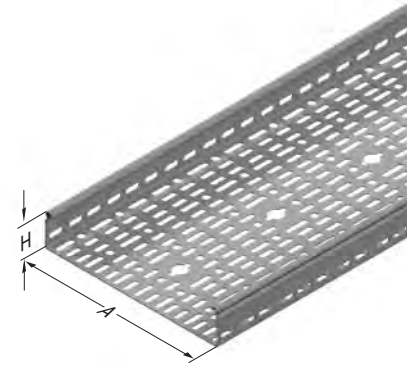
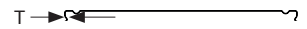
▶▶ CABLE TRAYS

▶ CTK-E Cable Tray

Hot Dip Galvanized (TS EN ISO 1461)

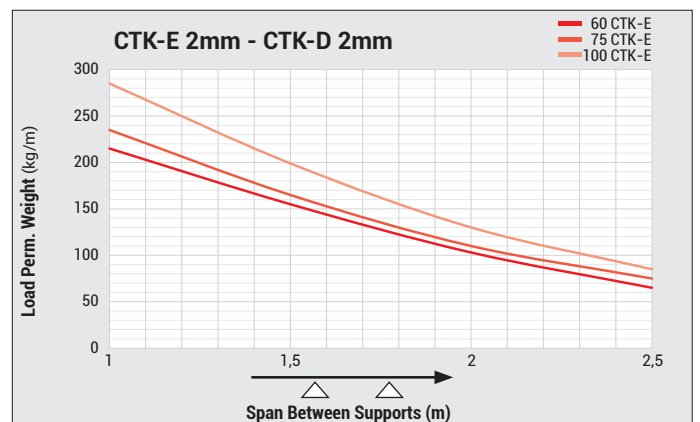
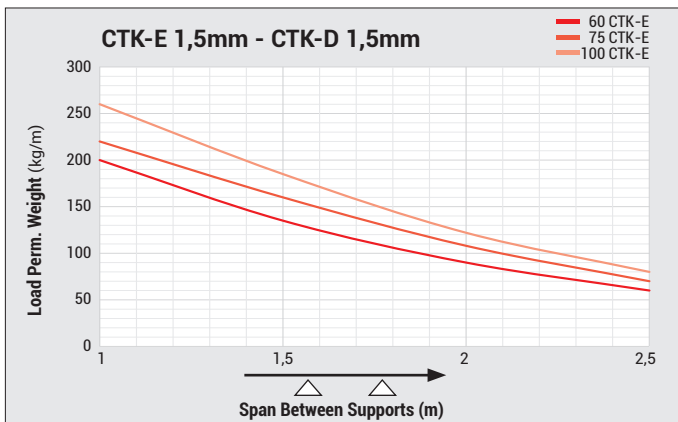
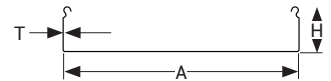


Description	H (mm)	A (mm)	T=1,5		T=2		T=1,5 COVER		T=2 COVER	
			Weight (kg/m)	HDG Code	Weight (kg/m)	HDG Code	Weight (kg/m)	HDG Code	Weight (kg/m)	HDG Code
060 CTK-E 100	60	100	2,495	2115077	-	-	1,810	2002190	-	-
060 CTK-E 150	60	150	2,996	2115078	-	-	2,456	2002191	-	-
060 CTK-E 200	60	200	3,360	2115079	-	-	3,104	2002192	-	-
060 CTK-E 250	60	250	3,862	2115080	-	-	3,752	2002193	-	-
060 CTK-E 300	60	300	4,225	2115081	-	-	4,337	2002194	-	-
060 CTK-E 400	60	400	-	-	6,770	2115082	-	-	7,593	2002195
060 CTK-E 500	60	500	-	-	7,923	2115083	-	-	9,321	2002196
060 CTK-E 600	60	600	-	-	9,077	2115084	-	-	11,046	2002197
075 CTK-E 100	75	100	2,745	2115085	-	-	1,810	2002190	-	-
075 CTK-E 150	75	150	3,245	2115086	-	-	2,456	2002191	-	-
075 CTK-E 200	75	200	3,609	2115087	-	-	3,104	2002192	-	-
075 CTK-E 250	75	250	4,111	2115088	-	-	3,752	2002193	-	-
075 CTK-E 300	75	300	4,475	2115089	-	-	4,337	2002194	-	-
075 CTK-E 400	75	400	-	-	7,103	2115090	-	-	7,593	2002195
075 CTK-E 500	75	500	-	-	8,256	2115091	-	-	9,321	2002196
075 CTK-E 600	75	600	-	-	9,410	2115092	-	-	11,046	2002197
100 CTK-E 100	100	100	3,245	2115093	-	-	1,810	2002190	-	-
100 CTK-E 150	100	150	3,747	2115094	-	-	2,456	2002191	-	-
100 CTK-E 200	100	200	4,111	2115095	-	-	3,104	2002192	-	-
100 CTK-E 250	100	250	4,612	2115096	-	-	3,752	2002193	-	-
100 CTK-E 300	100	300	4,976	2115097	-	-	4,337	2002194	-	-
100 CTK-E 400	100	400	-	-	7,770	2115098	-	-	7,593	2002195
100 CTK-E 500	100	500	-	-	8,924	2115099	-	-	9,321	2002196
100 CTK-E 600	100	600	-	-	10,077	2115100	-	-	11,046	2002197



CTK

■ Conduits and covers must be ordered separately.



- Standard length is 3000 mm.
- Please contact us for special dimensions.
- Material weights may vary by ± 10%

- Please indicate order code in your orders.
- All dimensions are given as in mm

- PG= Pre-Galvanized
- HDG= Hot Dip Galvanized

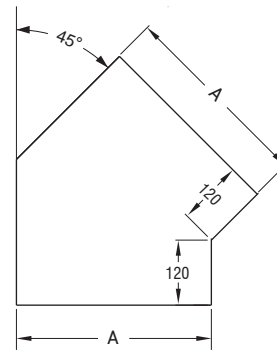
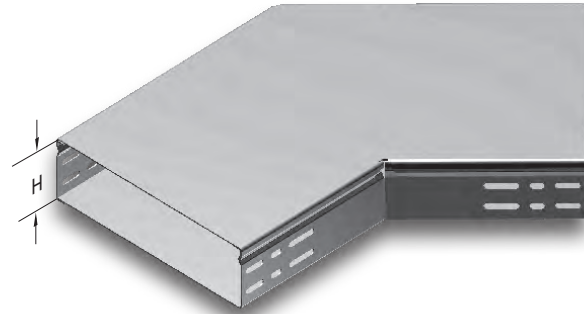
E-LINECTK

►►CTK HORIZONTAL 45° DEGREE BEND

Hot Dip Galvanized (TS EN ISO 1461)



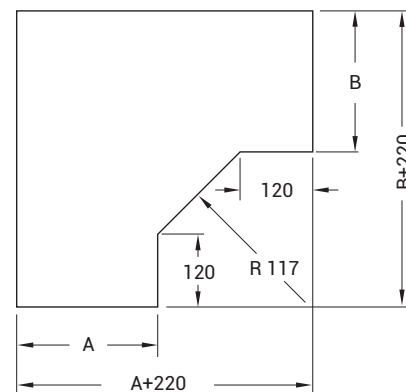
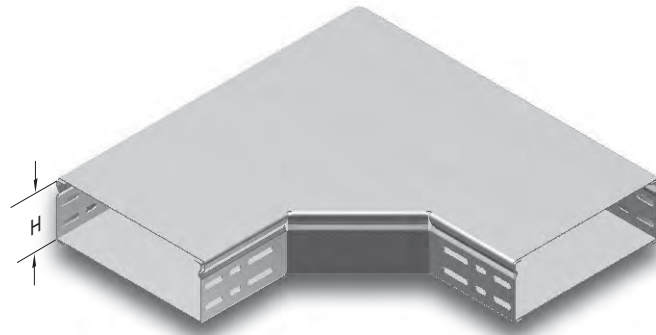
Description	H (mm)	A (mm)	T (mm)	Weight (kg/pcs)	HDG Code
060 CTK 100 YD 45°	60	100	1,5	2,225	3006490
060 CTK 150 YD 45°	60	150	1,5	2,930	3006491
060 CTK 200 YD 45°	60	200	1,5	3,672	3006492
060 CTK 250 YD 45°	60	250	1,5	4,498	3006493
060 CTK 300 YD 45°	60	300	1,5	6,043	3006494
060 CTK 400 YD 45°	60	400	1,5	8,234	3006495
060 CTK 500 YD 45°	60	500	1,5	10,674	3006496
060 CTK 600 YD 45°	60	600	1,5	13,364	3006497
075 CTK 100 YD 45°	75	100	1,5	2,371	3006498
075 CTK 150 YD 45°	75	150	1,5	3,083	3006499
075 CTK 200 YD 45°	75	200	1,5	3,832	3006500
075 CTK 250 YD 45°	75	250	1,5	4,668	3006501
075 CTK 300 YD 45°	75	300	1,5	6,222	3006502
075 CTK 400 YD 45°	75	400	1,5	8,426	3006503
075 CTK 500 YD 45°	75	500	1,5	10,885	3006504
075 CTK 600 YD 45°	75	600	1,5	13,591	3006505
100 CTK 100 YD 45°	100	100	1,5	2,630	3006506
100 CTK 150 YD 45°	100	150	1,5	3,357	3006507
100 CTK 200 YD 45°	100	200	1,5	4,129	3006508
100 CTK 250 YD 45°	100	250	1,5	4,968	3006509
100 CTK 300 YD 45°	100	300	1,5	6,534	3006510
100 CTK 400 YD 45°	100	400	1,5	8,466	3006511
100 CTK 500 YD 45°	100	500	1,5	11,251	3006512
100 CTK 600 YD 45°	100	600	1,5	13,983	3006513



►►CTK YD Horizontal 90° Degree Bend

Hot Dip Galvanized (TS EN ISO 1461)

Description	H (mm)	A (mm)	T (mm)	Weight (kg/pcs)	HDG Code
060 CTK 100 YD 90°	60	100	1,5	3,023	3006514
060 CTK 150 YD 90°	60	150	1,5	4,187	3006515
060 CTK 200 YD 90°	60	200	1,5	5,506	3006516
060 CTK 250 YD 90°	60	250	1,5	6,974	3006517
060 CTK 300 YD 90°	60	300	1,5	8,593	3006518
060 CTK 400 YD 90°	60	400	1,5	12,286	3006519
060 CTK 500 YD 90°	60	500	1,5	16,583	3006520
060 CTK 600 YD 90°	60	600	1,5	21,427	3006521
075 CTK 100 YD 90°	75	100	1,5	3,197	3006522
075 CTK 150 YD 90°	75	150	1,5	4,381	3006523
075 CTK 200 YD 90°	75	200	1,5	5,719	3006524
075 CTK 250 YD 90°	75	250	1,5	7,206	3006525
075 CTK 300 YD 90°	75	300	1,5	8,845	3006526
075 CTK 400 YD 90°	75	400	1,5	12,587	3006527
075 CTK 500 YD 90°	75	500	1,5	16,913	3006528
075 CTK 600 YD 90°	75	600	1,5	21,794	3006529
100 CTK 100 YD 90°	100	100	1,5	3,501	3006530
100 CTK 150 YD 90°	100	150	1,5	4,719	3006531
100 CTK 200 YD 90°	100	200	1,5	6,089	3006532
100 CTK 250 YD 90°	100	250	1,5	7,609	3006533
100 CTK 300 YD 90°	100	300	1,5	9,280	3006534
100 CTK 400 YD 90°	100	400	1,5	13,076	3006535
100 CTK 500 YD 90°	100	500	1,5	17,477	3006536
100 CTK 600 YD 90°	100	600	1,5	22,424	3006537

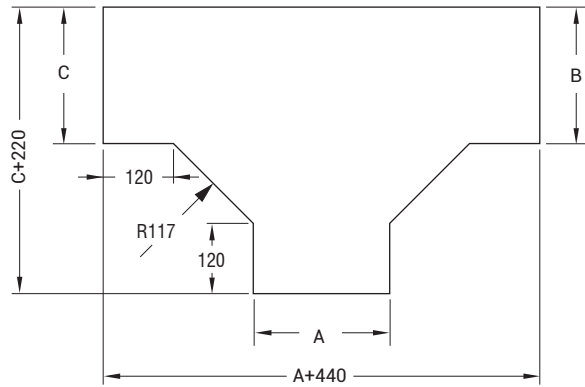
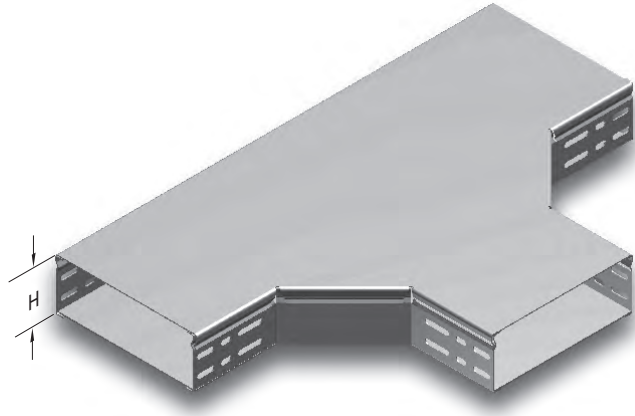


■ Please contact us for special dimensions.
 ■ Material weights may vary by ± 10%

■ Please indicate order code in your orders.
 ■ All dimensions are given as in mm

■ PG= Pre-Galvanized
 ■ HDG= Hot Dip Galvanized

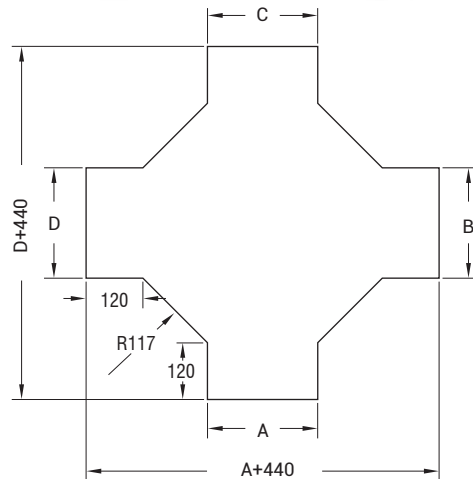
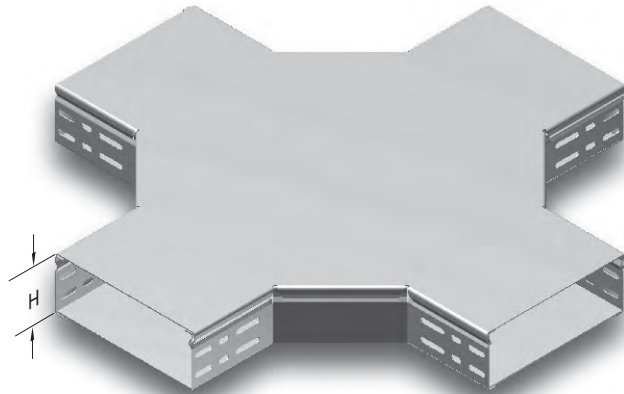
Description	H (mm)	A (mm)	T (mm)	Weight (kg/pcs)	HDG Code
060 CTK 100 YT	60	100	1,5	4,178	3006538
060 CTK 150 YT	60	150	1,5	5,611	3006539
060 CTK 200 YT	60	200	1,5	7,195	3006540
060 CTK 250 YT	60	250	1,5	8,931	3006541
060 CTK 300 YT	60	300	1,5	10,817	3006542
060 CTK 400 YT	60	400	1,5	15,044	3006543
060 CTK 500 YT	60	500	1,5	19,875	3006544
060 CTK 600 YT	60	600	1,5	23,008	3006545
075 CTK 100 YT	75	100	1,5	4,417	3006546
075 CTK 150 YT	75	150	1,5	6,042	3006547
075 CTK 200 YT	75	200	1,5	7,429	3006548
075 CTK 250 YT	75	250	1,5	9,175	3006549
075 CTK 300 YT	75	300	1,5	11,070	3006550
075 CTK 400 YT	75	400	1,5	15,316	3006551
075 CTK 500 YT	75	500	1,5	20,166	3006552
075 CTK 600 YT	75	600	1,5	23,320	3006553
100 CTK 100 YT	100	100	1,5	4,776	3006554
100 CTK 150 YT	100	150	1,5	6,235	3006555
100 CTK 200 YT	100	200	1,5	7,842	3006556
100 CTK 250 YT	100	250	1,5	9,603	3006557
100 CTK 300 YT	100	300	1,5	11,519	3006558
100 CTK 400 YT	100	400	1,5	15,797	3006559
100 CTK 500 YT	100	500	1,5	20,680	3006560
100 CTK 600 YT	100	600	1,5	23,865	3006561



▶▶CTK Cross Over Bend

Hot Dip Galvanized (TS EN ISO 1461)

Description	H (mm)	A (mm)	T (mm)	Weight (kg/pcs)	HDG Code
060 CTK 100 AD	60	100	1,5	5,057	3006562
060 CTK 150 AD	60	150	1,5	7,086	3006563
060 CTK 200 AD	60	200	1,5	8,938	3006564
060 CTK 250 AD	60	250	1,5	10,941	3006565
060 CTK 300 AD	60	300	1,5	13,093	3006566
060 CTK 400 AD	60	400	1,5	17,854	3006567
060 CTK 500 AD	60	500	1,5	23,219	3006568
060 CTK 600 AD	60	600	1,5	29,189	3006569
075 CTK 100 AD	75	100	1,5	5,631	3006570
075 CTK 150 AD	75	150	1,5	7,332	3006571
075 CTK 200 AD	75	200	1,5	9,183	3006572
075 CTK 250 AD	75	250	1,5	11,185	3006573
075 CTK 300 AD	75	300	1,5	13,339	3006574
075 CTK 400 AD	75	400	1,5	18,099	3006575
075 CTK 500 AD	75	500	1,5	23,464	3006576
075 CTK 600 AD	75	600	1,5	29,434	3006577
100 CTK 100 AD	100	100	1,5	6,074	3006578
100 CTK 150 AD	100	150	1,5	7,774	3006579
100 CTK 200 AD	100	200	1,5	9,625	3006580
100 CTK 250 AD	100	250	1,5	11,628	3006581
100 CTK 300 AD	100	300	1,5	13,782	3006582
100 CTK 400 AD	100	400	1,5	18,542	3006583
100 CTK 500 AD	100	500	1,5	23,906	3006584
100 CTK 600 AD	100	600	1,5	29,876	3006585



■ Please contact us for special dimensions.
 ■ Material weights may vary by ± 10%

■ Please indicate order code in your orders.
 ■ All dimensions are given as in mm

■ PG= Pre-Galvanized
 ■ HDG= Hot Dip Galvanized

CTK

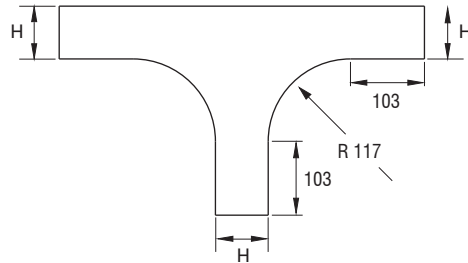
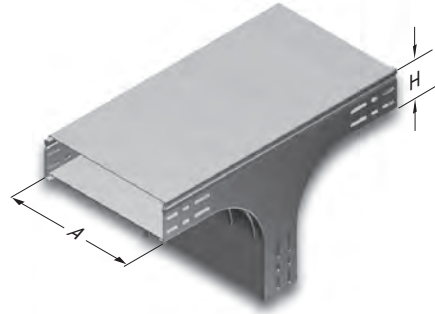
E-LINECTK

▶▶CTK CENTRE DESCENT BEND

Hot Dip Galvanized (TS EN ISO 1461)



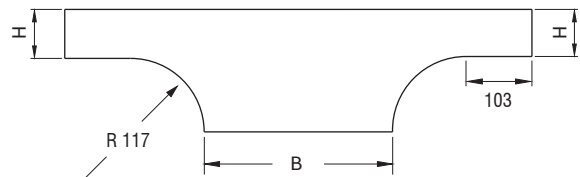
Description	H (mm)	A (mm)	T (mm)	Weight (kg/pcs)	HDG Code
060 CTK 100 TO	60	100	1,5	3,886	3006586
060 CTK 150 TO	60	150	1,5	4,926	3006587
060 CTK 200 TO	60	200	1,5	5,964	3006588
060 CTK 250 TO	60	250	1,5	7,004	3006589
060 CTK 300 TO	60	300	1,5	8,042	3006590
060 CTK 400 TO	60	400	1,5	10,120	3006591
060 CTK 500 TO	60	500	1,5	12,198	3006592
060 CTK 600 TO	60	600	1,5	14,277	3006593
075 CTK 100 TO	75	100	1,5	4,105	3006594
075 CTK 150 TO	75	150	1,5	5,144	3006595
075 CTK 200 TO	75	200	1,5	6,183	3006596
075 CTK 250 TO	75	250	1,5	7,222	3006597
075 CTK 300 TO	75	300	1,5	8,261	3006598
075 CTK 400 TO	75	400	1,5	10,339	3006599
075 CTK 500 TO	75	500	1,5	12,417	3006600
075 CTK 600 TO	75	600	1,5	14,495	3006601
100 CTK 100 TO	100	100	1,5	4,615	3006602
100 CTK 150 TO	100	150	1,5	5,653	3006603
100 CTK 200 TO	100	200	1,5	6,692	3006604
100 CTK 250 TO	100	250	1,5	7,731	3006605
100 CTK 300 TO	100	300	1,5	8,770	3006606
100 CTK 400 TO	100	400	1,5	10,848	3006607
100 CTK 500 TO	100	500	1,5	12,926	3006608
100 CTK 600 TO	100	600	1,5	15,004	3006609



▶CTK Wall Mounted Bend

Hot Dip Galvanized (TS EN ISO 1461)

Description	H (mm)	A (mm)	B (mm)	T (mm)	Weight (kg/pcs)	HDG Code
060 CTK 100 TD	60	100	100	1,5	3,726	3006756
060 CTK 150 TD	60	150	150	1,5	5,046	3006757
060 CTK 200 TD	60	200	200	1,5	6,401	3006758
060 CTK 250 TD	60	250	250	1,5	7,866	3006759
060 CTK 300 TD	60	300	300	1,5	9,372	3006760
060 CTK 400 TD	60	400	300	1,5	13,388	3006761
060 CTK 500 TD	60	500	300	1,5	15,250	3006762
060 CTK 600 TD	60	600	300	1,5	17,767	3006763
075 CTK 100 TD	75	100	100	1,5	3,907	3006764
075 CTK 150 TD	75	150	150	1,5	5,276	3006765
075 CTK 200 TD	75	200	200	1,5	6,672	3006766
075 CTK 250 TD	75	250	250	1,5	8,109	3006767
075 CTK 300 TD	75	300	300	1,5	9,633	3006768
075 CTK 400 TD	75	400	300	1,5	14,173	3006769
075 CTK 500 TD	75	500	300	1,5	16,060	3006770
075 CTK 600 TD	75	600	300	1,5	18,737	3006771
100 CTK 100 TD	100	100	100	1,5	4,231	3006772
100 CTK 150 TD	100	150	150	1,5	5,545	3006773
100 CTK 200 TD	100	200	200	1,5	7,060	3006774
100 CTK 250 TD	100	250	250	1,5	8,514	3006775
100 CTK 300 TD	100	300	300	1,5	10,064	3006776
100 CTK 400 TD	100	400	300	1,5	16,122	3006777
100 CTK 500 TD	100	500	300	1,5	18,823	3006778
100 CTK 600 TD	100	600	300	1,5	21,529	3006779



■ Please contact us for special dimensions.
 ■ Material weights may vary by ± 10%

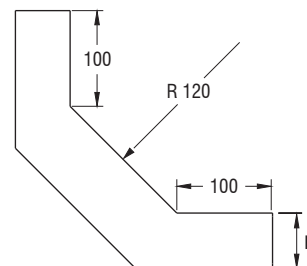
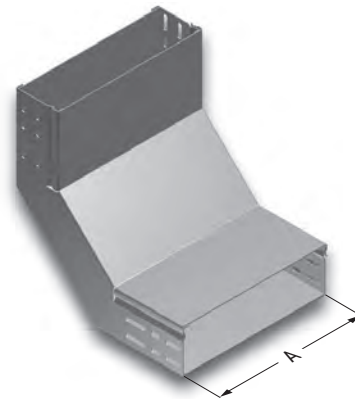
■ Please indicate order code in your orders.
 ■ All dimensions are given as in mm

■ PG= Pre-Galvanized
 ■ HDG= Hot Dip Galvanized

▶▶CTK ID 90° Vertical Inside Bend

Hot Dip Galvanized (TS EN ISO 1461)

Description	H (mm)	A (mm)	T (mm)	Weight (kg/pcs)	HDG Code
060 CTK 100 ID	60	100	1,5	2,122	3006708
060 CTK 150 ID	60	150	1,5	2,674	3006709
060 CTK 200 ID	60	200	1,5	3,225	3006710
060 CTK 250 ID	60	250	1,5	3,777	3006711
060 CTK 300 ID	60	300	1,5	4,330	3006712
060 CTK 400 ID	60	400	1,5	5,433	3006713
060 CTK 500 ID	60	500	1,5	5,924	3006714
060 CTK 600 ID	60	600	1,5	7,150	3006715
075 CTK 100 ID	75	100	1,5	2,325	3006716
075 CTK 150 ID	75	150	1,5	2,893	3006717
075 CTK 200 ID	75	200	1,5	3,462	3006718
075 CTK 250 ID	75	250	1,5	4,029	3006719
075 CTK 300 ID	75	300	1,5	4,598	3006720
075 CTK 400 ID	75	400	1,5	5,733	3006721
075 CTK 500 ID	75	500	1,5	6,870	3006722
075 CTK 600 ID	75	600	1,5	8,006	3006723
100 CTK 100 ID	100	100	1,5	2,701	3006724
100 CTK 150 ID	100	150	1,5	3,295	3006725
100 CTK 200 ID	100	200	1,5	3,887	3006726
100 CTK 250 ID	100	250	1,5	4,481	3006727
100 CTK 300 ID	100	300	1,5	5,075	3006728
100 CTK 400 ID	100	400	1,5	6,263	3006729
100 CTK 500 ID	100	500	1,5	7,451	3006730
100 CTK 600 ID	100	600	1,5	8,639	3006731

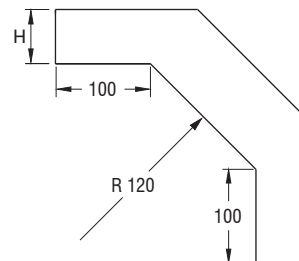
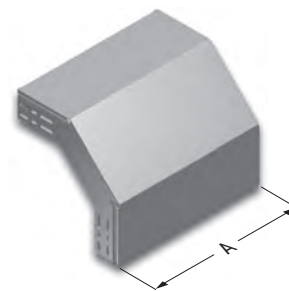


CTK

▶CTK DD 90° Vertical Outside Bend

Hot Dip Galvanized (TS EN ISO 1461)

Description	H (mm)	A (mm)	T (mm)	Weight (kg/pcs)	HDG Code
060 CTK 100 DD	60	100	1,5	2,180	3006732
060 CTK 150 DD	60	150	1,5	2,743	3006733
060 CTK 200 DD	60	200	1,5	3,306	3006734
060 CTK 250 DD	60	250	1,5	3,868	3006735
060 CTK 300 DD	60	300	1,5	4,430	3006736
060 CTK 400 DD	60	400	1,5	5,554	3006737
060 CTK 500 DD	60	500	1,5	6,678	3006738
060 CTK 600 DD	60	600	1,5	7,803	3006739
075 CTK 100 DD	75	100	1,5	2,329	3006740
075 CTK 150 DD	75	150	1,5	2,892	3006741
075 CTK 200 DD	75	200	1,5	3,454	3006742
075 CTK 250 DD	75	250	1,5	4,016	3006743
075 CTK 300 DD	75	300	1,5	4,578	3006744
075 CTK 400 DD	75	400	1,5	5,702	3006745
075 CTK 500 DD	75	500	1,5	6,827	3006746
075 CTK 600 DD	75	600	1,5	7,951	3006747
100 CTK 100 DD	100	100	1,5	2,607	3006748
100 CTK 150 DD	100	150	1,5	3,169	3006749
100 CTK 200 DD	100	200	1,5	3,731	3006750
100 CTK 250 DD	100	250	1,5	4,293	3006751
100 CTK 300 DD	100	300	1,5	4,855	3006752
100 CTK 400 DD	100	400	1,5	5,980	3006753
100 CTK 500 DD	100	500	1,5	7,105	3006754
100 CTK 600 DD	100	600	1,5	8,229	3006755



■ Please contact us for special dimensions.
 ■ Material weights may vary by ± 10%

■ Please indicate order code in your orders.
 ■ All dimensions are given as in mm

■ PG= Pre-Galvanized
 ■ HDG= Hot Dip Galvanized

E-LINECTK

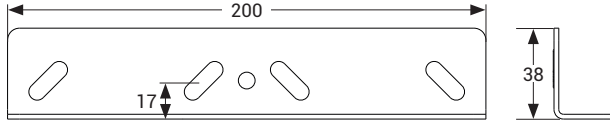
▶▶CTK JOINT FITTING

Hot Dip Galvanized (TS EN ISO 1461)



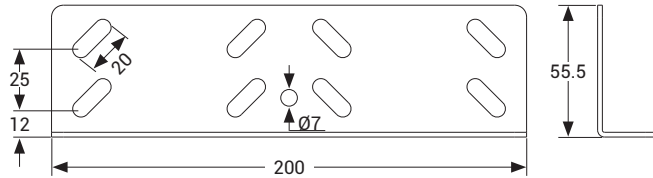
Description	H (mm)	T (mm)	Weight (kg/pcs)	HDG Code
60 CTK JOINT FITTING	38	2	0,191	3001965
75-100 CTK JOINT FITTING	55,5	2	0,242	3007413

60 CTK Joint Fitting



1 Unit of H=60 Connector Component;
4 units M6x12 bolts, 4 units M6 bolt nuts are used.

75-100 CTK Joint Fitting

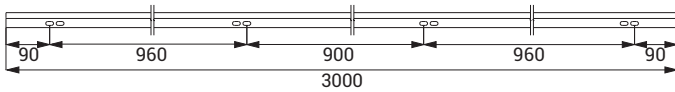
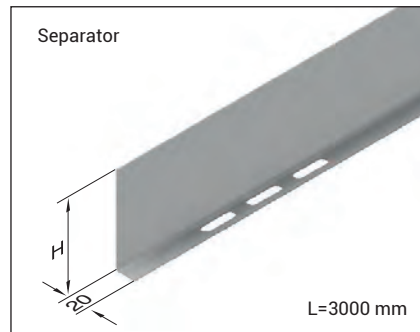


1 Unit of H=75-100 Connector Component;
8 units M6x12 bolts, 8 units M6 bolt nuts are used.

▶ CTK Separator

Hot Dip Galvanized (TS EN ISO 1461)

Description	H (mm)	T (mm)	Weight (kg/m)	HDG Code
060 CTK Separator	55	0,8	0,473	3005833
075 CTK Separator	70	1	0,753	3006953
100 CTK Separator	95	1	0,952	3006952

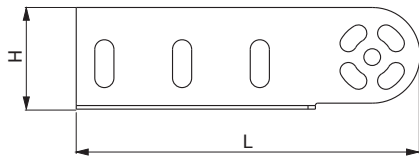


■ Please contact us for special dimensions.
■ Material weights may vary by ± 10%

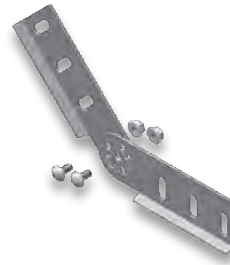
■ Please indicate order code in your orders.
■ All dimensions are given as in mm

■ PG= Pre-Galvanized
■ HDG= Hot Dip Galvanized

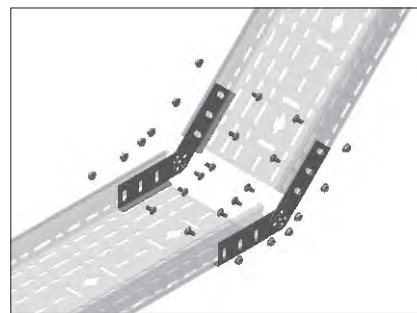
Description	H (mm)	T (mm)	Weight (kg/set)	HDG Code
060 CTK SDE	60	2	0,304	3007415
075 CTK SDE	75	2	0,380	3007416
100 CTK SDE	100	2	0,506	3007417



60/75/100 CTK-SDE L=160



Includes: 4 units of grade changing components,
4 Units of M6x12 Bolts, 4 Units of M6 Bolt Nuts.

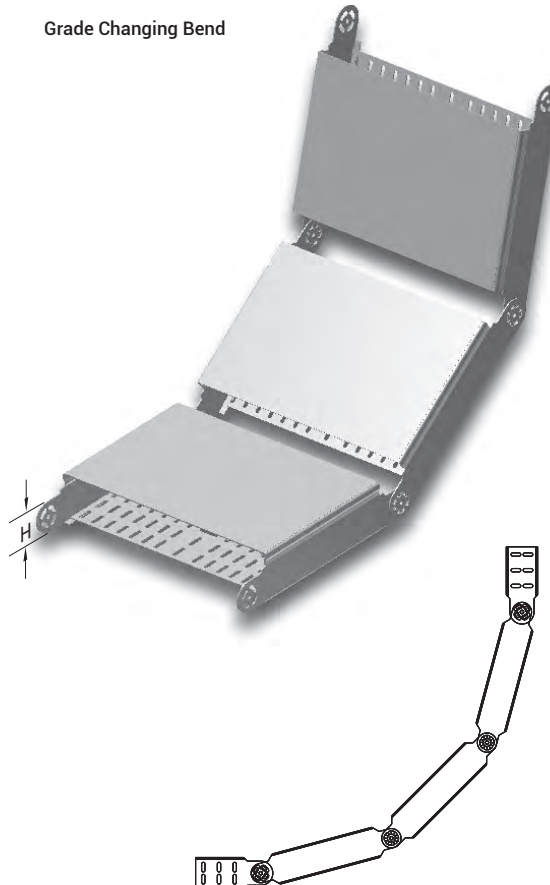


▶CTK Level Adaptation Bend

Hot Dip Galvanized (TS EN ISO 1461)

Description	H (mm)	A (mm)	T (mm)	Weight (kg/tk.)	HDG Code
060 CTK 100 SDM	60	100	1,5	5,997	3007285
060 CTK 150 SDM	60	150	1,5	7,094	3007286
060 CTK 200 SDM	60	200	1,5	8,190	3007287
060 CTK 250 SDM	60	250	1,5	9,284	3007288
060 CTK 300 SDM	60	300	1,5	10,377	3007289
060 CTK 400 SDM	60	400	1,5	12,570	3007290
060 CTK 500 SDM	60	500	1,5	14,760	3007291
060 CTK 600 SDM	60	600	1,5	16,950	3007292
075 CTK 100 SDM	75	100	1,5	6,563	3007293
075 CTK 150 SDM	75	150	1,5	7,659	3007294
075 CTK 200 SDM	75	200	1,5	8,756	3007295
075 CTK 250 SDM	75	250	1,5	9,849	3007296
075 CTK 300 SDM	75	300	1,5	10,942	3007297
075 CTK 400 SDM	75	400	1,5	13,135	3007298
075 CTK 500 SDM	75	500	1,5	15,325	3007299
075 CTK 600 SDM	75	600	1,5	17,515	3007300
100 CTK 100 SDM	100	100	1,5	7,366	3007301
100 CTK 150 SDM	100	150	1,5	8,462	3007302
100 CTK 200 SDM	100	200	1,5	9,559	3007303
100 CTK 250 SDM	100	250	1,5	10,652	3007304
100 CTK 300 SDM	100	300	1,5	11,745	3007305
100 CTK 400 SDM	100	400	1,5	13,938	3007306
100 CTK 500 SDM	100	500	1,5	16,128	3007307
100 CTK 600 SDM	100	600	1,5	18,318	3007308

Grade Changing Bend

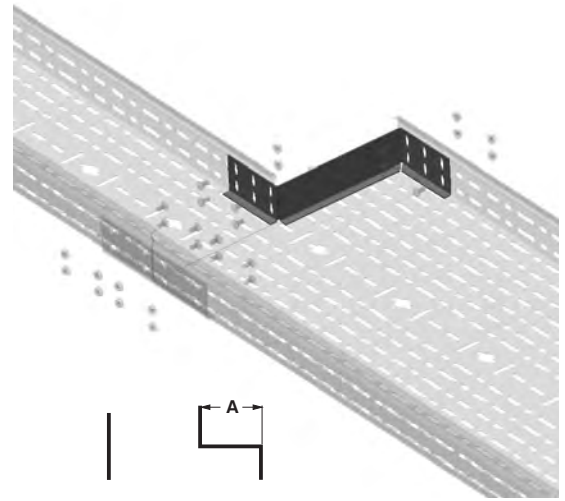


■ Please contact us for special dimensions.
■ Material weights may vary by ± 10%

■ Please indicate order code in your orders.
■ All dimensions are given as in mm

■ PG= Pre-Galvanized
■ HDG= Hot Dip Galvanized

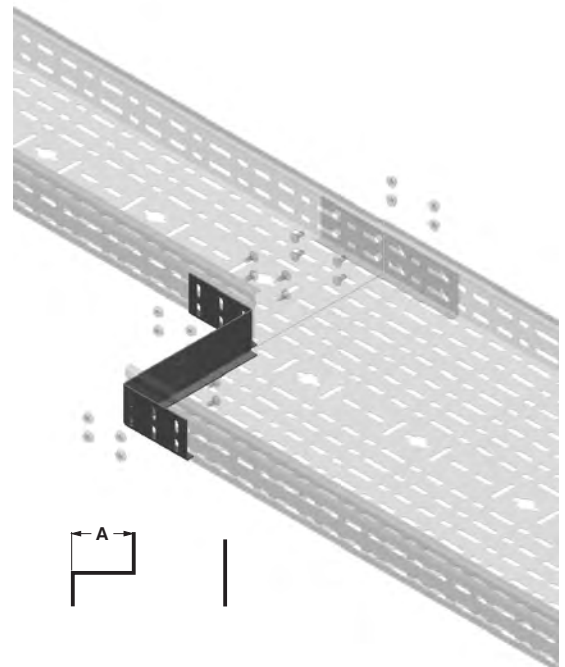
Description	H (mm)	A (mm)	T (mm)	Weight (kg/pcs)	HDG Code
60 CTK RD 50	60	50	2	0,187	3007358
60 CTK RD 100	60	100	2	0,229	3007359
60 CTK RD 150	60	150	2	0,271	3007360
60 CTK RD 200	60	200	2	0,312	3007361
60 CTK RD 250	60	250	2	0,355	3007362
60 CTK RD 300	60	300	2	0,397	3007363
75 CTK RD 50	75	50	2	0,238	3007364
75 CTK RD 100	75	100	2	0,293	3007365
75 CTK RD 150	75	150	2	0,348	3007366
75 CTK RD 200	75	200	2	0,403	3007367
75 CTK RD 250	75	250	2	0,458	3007368
75 CTK RD 300	75	300	2	0,513	3007369
100 CTK RD 50	100	50	2	0,329	3007370
100 CTK RD 100	100	100	2	0,406	3007371
100 CTK RD 150	100	150	2	0,483	3007372
100 CTK RD 200	100	200	2	0,559	3007373
100 CTK RD 250	100	250	2	0,636	3007374
100 CTK RD 300	100	300	2	0,713	3007375



▶CTK Left Reduction

Hot Dip Galvanized (TS EN ISO 1461)

Description	H (mm)	A (mm)	T (mm)	Weight (kg/pcs)	HDG Code
60 CTK RD 50	60	50	2	0,187	3007376
60 CTK RD100	60	100	2	0,229	3007377
60 CTK RD 150	60	150	2	0,271	3007378
60 CTK RD 200	60	200	2	0,312	3007379
60 CTK RD 250	60	250	2	0,355	3007380
60 CTK RD 300	60	300	2	0,397	3007381
75 CTK RD 50	75	50	2	0,238	3007382
75 CTK RD100	75	100	2	0,293	3007383
75 CTK RD 150	75	150	2	0,348	3007384
75 CTK RD 200	75	200	2	0,403	3007385
75 CTK RD 250	75	250	2	0,458	3007386
75 CTK RD 300	75	300	2	0,513	3007387
100 CTK RD 50	100	50	2	0,329	3007388
100 CTK RD100	100	100	2	0,406	3007389
100 CTK RD 150	100	150	2	0,483	3007390
100 CTK RD 200	100	200	2	0,559	3007391
100 CTK RD 250	100	250	2	0,636	3007392
100 CTK RD 300	100	300	2	0,713	3007393



■ Please contact us for special dimensions.
 ■ Material weights may vary by ± 10%

■ Please indicate order code in your orders.
 ■ All dimensions are given as in mm

■ PG= Pre-Galvanized
 ■ HDG= Hot Dip Galvanized

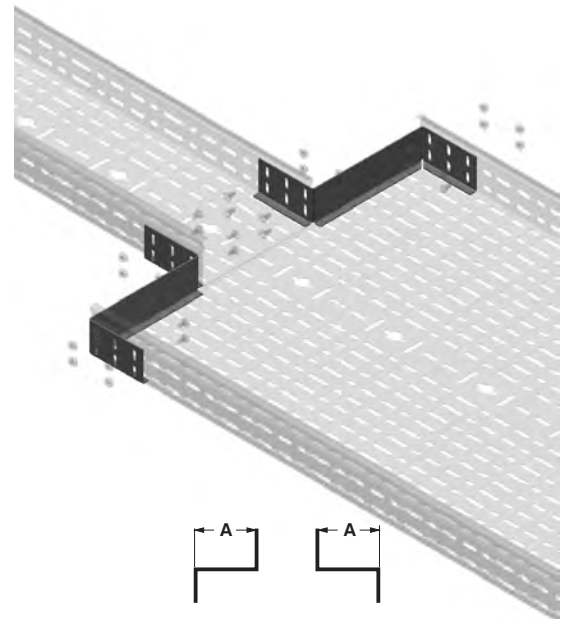
E-LINECTK

▶▶CTK CENTRE REDUCTION

Hot Dip Galvanized (TS EN ISO 1461)



Description	H (mm)	A (mm)	T (mm)	Weight (kg/pcs)	HDG Code
60 CTK RD 50	60	50	2	0,374	3007394
60 CTK RD 100	60	100	2	0,458	3007395
60 CTK RD 150	60	150	2	0,541	3007396
60 CTK RD 200	60	200	2	0,625	3007397
60 CTK RD 250	60	250	2	0,711	3007398
60 CTK RD 300	60	300	2	0,794	3007399
75 CTK RD 50	75	50	2	0,475	3007400
75 CTK RD 100	75	100	2	0,585	3007401
75 CTK RD 150	75	150	2	0,695	3007402
75 CTK RD 200	75	200	2	0,805	3007403
75 CTK RD 250	75	250	2	0,915	3007404
75 CTK RD 300	75	300	2	1,025	3007405
100 CTK RD 50	100	50	2	0,658	3007406
100 CTK RD 100	100	100	2	0,812	3007407
100 CTK RD 150	100	150	2	0,966	3007408
100 CTK RD 200	100	200	2	1,118	3007409
100 CTK RD 250	100	250	2	1,272	3007410
100 CTK RD 300	100	300	2	1,426	3007411



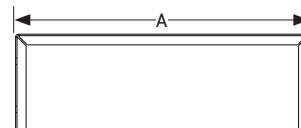
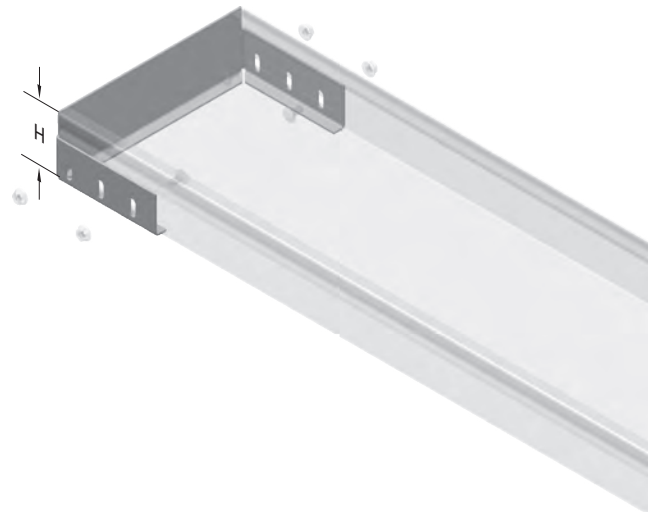
CTK

- Please contact us for special dimensions.
- Material weights may vary by $\pm 10\%$

- Please indicate order code in your orders.
- All dimensions are given as in mm

- PG= Pre-Galvanized
- HDG= Hot Dip Galvanized

Description	H (mm)	A (mm)	T (mm)	Weight (kg/pcs)	HDG Code
060 CTK 100	62	106	1,5	0,222	3049183
060 CTK 150	62	156	1,5	0,268	3049184
060 CTK 200	62	206	1,5	0,315	3049185
060 CTK 250	62	256	1,5	0,361	3049186
060 CTK 300	62	306	1,5	0,407	3049187
060 CTK 400	62	406	1,5	0,501	3049188
060 CTK 500	62	506	1,5	0,593	3049189
060 CTK 600	62	606	1,5	0,685	3049190
075 CTK 100	77	106	1,5	0,276	3049191
075 CTK 150	77	156	1,5	0,332	3049192
075 CTK 200	77	206	1,5	0,388	3049193
075 CTK 250	77	256	1,5	0,444	3049194
075 CTK 300	77	306	1,5	0,501	3049195
075 CTK 400	77	406	1,5	0,613	3049196
075 CTK 500	77	506	1,5	0,725	3049197
075 CTK 600	77	606	1,5	0,837	3049198
100 CTK 100	102	106	1,5	0,372	3049199
100 CTK 150	102	156	1,5	0,444	3049200
100 CTK 200	102	206	1,5	0,516	3049201
100 CTK 250	102	256	1,5	0,589	3049202
100 CTK 300	102	306	1,5	0,661	3049203
100 CTK 400	102	406	1,5	0,805	3049204
100 CTK 500	102	506	1,5	0,949	3049205
100 CTK 600	102	606	1,5	1,095	3049206



▶▶ PROJECT DESIGN FORM

Component List	Item	Component	Quantity
[Grid area for component list]			
Company: Project: Project No:		Name : Date : Signature : Prepared by	

CTK

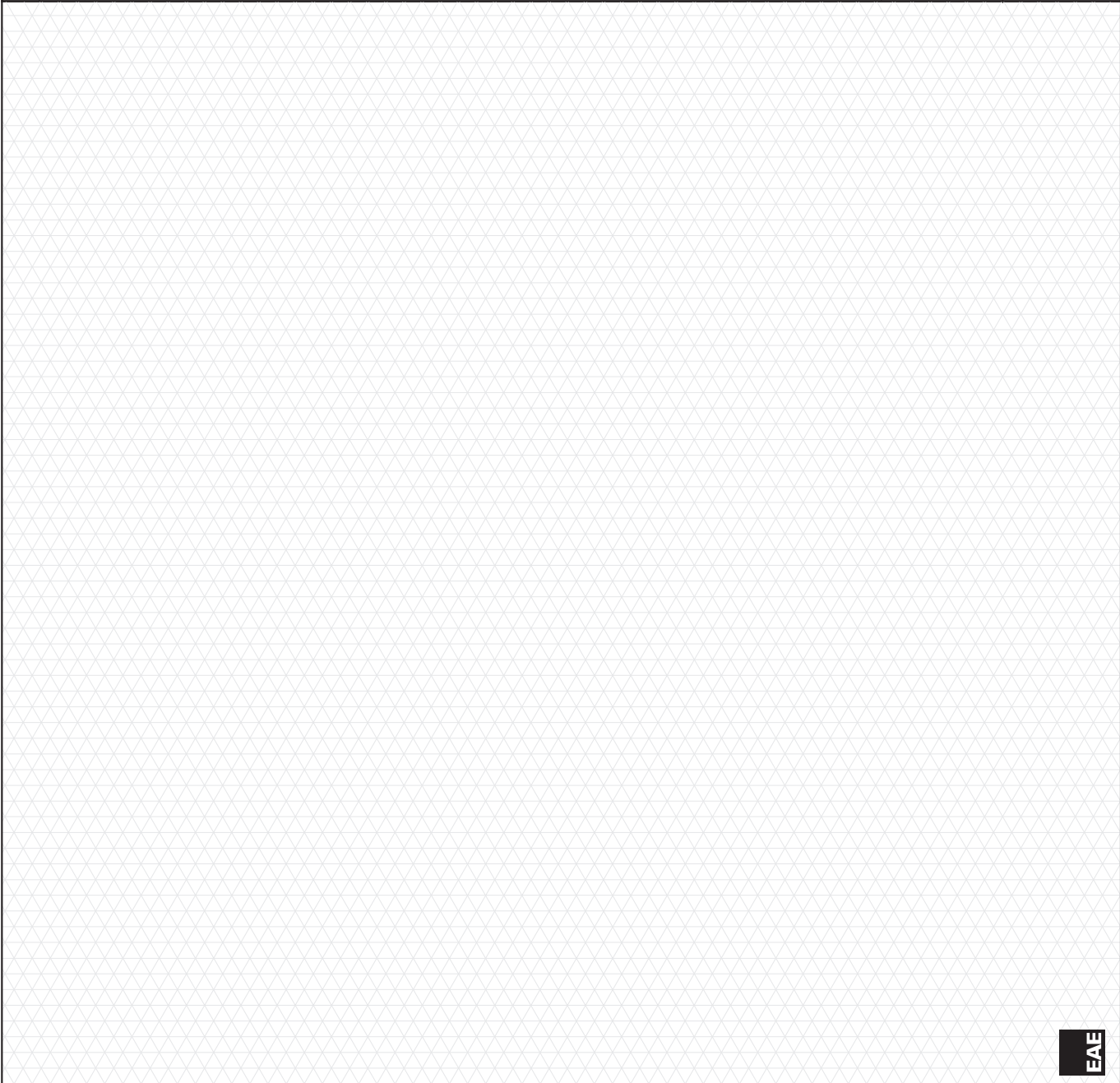
▶▶ PROJECT DESIGN FORM

Component List		Quantity
Item	Component	

Company: _____
 Project: _____
 Project No: _____

Name : _____
 Date : _____
 Signature : _____

Prepared by _____

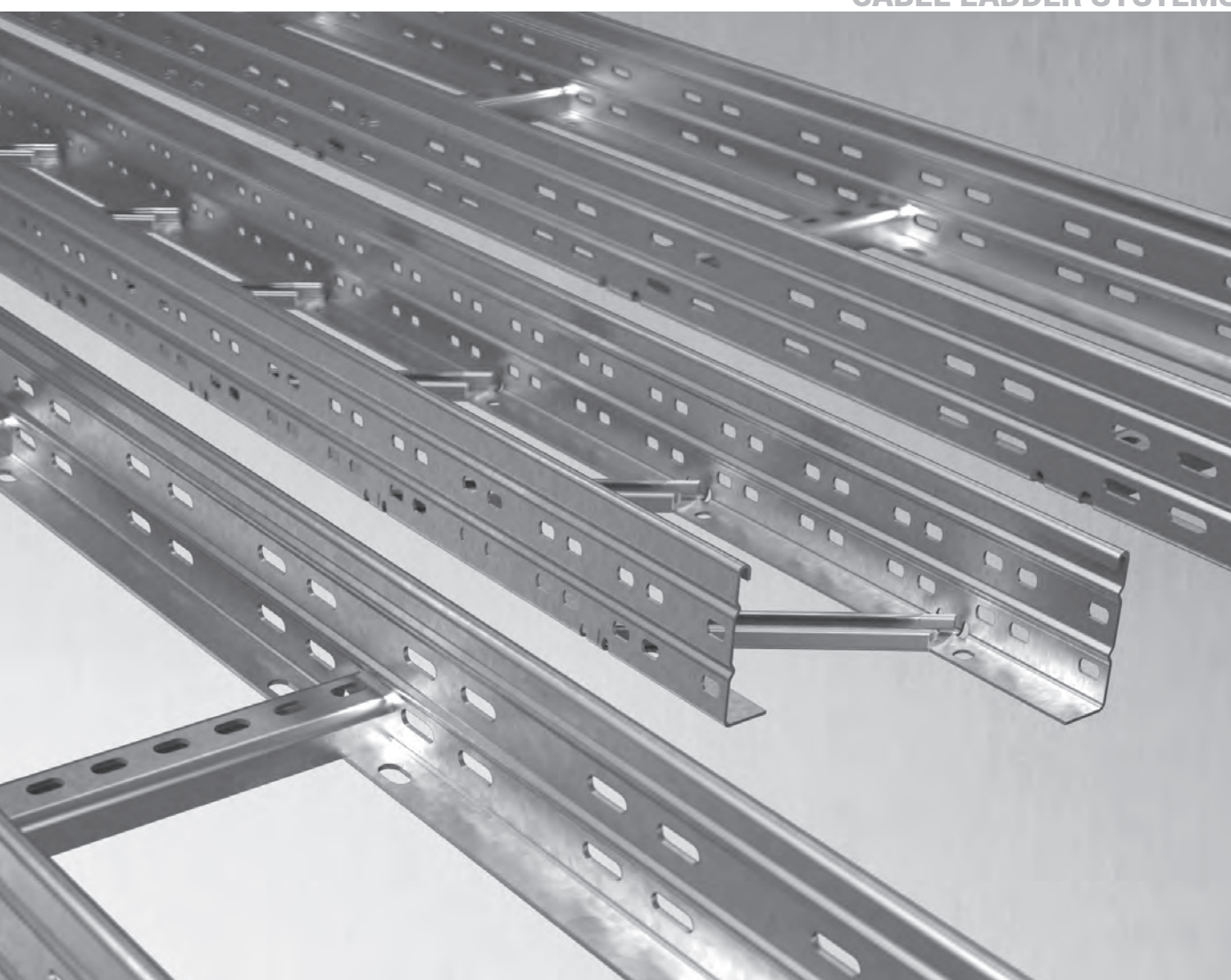


Please duplicate this page for your own use.



E-LINE KM

CABLE LADDER SYSTEMS



KM

E-LINE KM

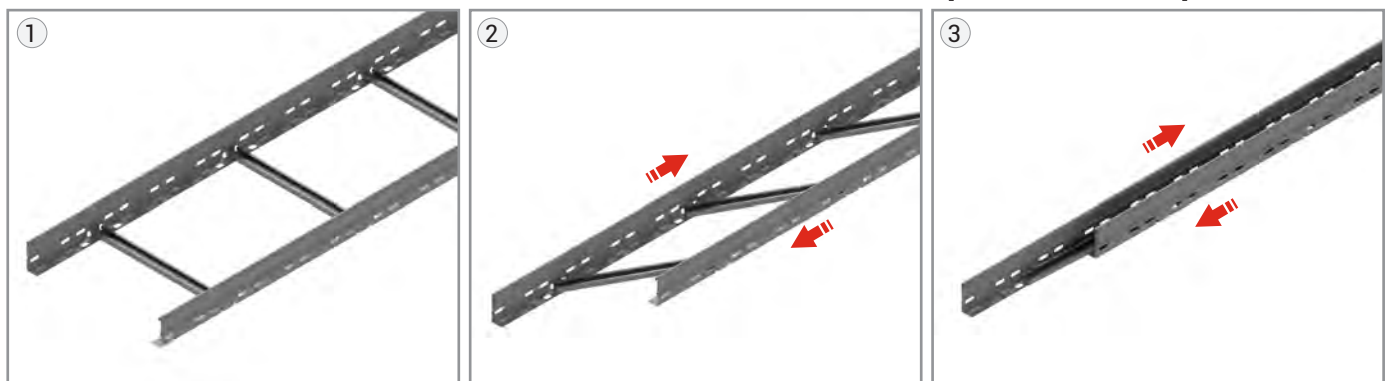
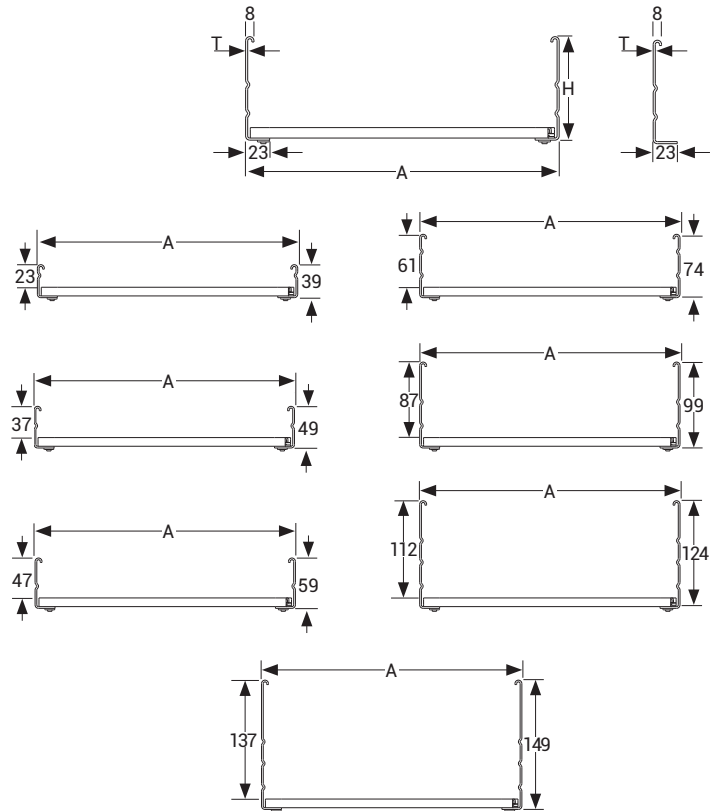
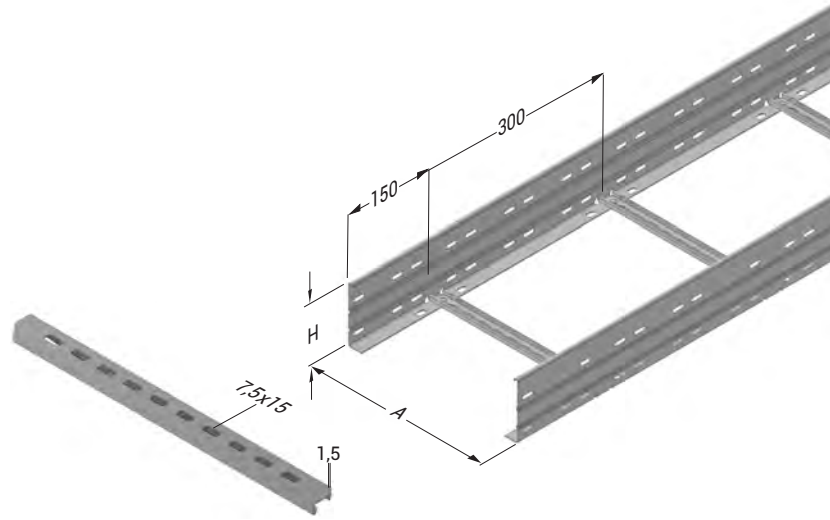
Please visit our website for the updated version of our catalogues.
www.eaeelectric.com

CONTENTS

▶▶ E-LINE KM

Cable Ladders / Cable Ladder Covers	2-4
Joint Fittings	5
Deflection Values	6
Bends	7-12
Bend Covers	13-15
Bends	16-29
Bend Covers	30-35
Level Adaptation Bend	36
Level Adaptation Cover	37
Joint Fittings	38
Blind End	39
Fixing Units	40
Reduction Fitting	41-42
Omega Clamp	43

Description	H (mm)	A (mm)	T (mm)	Cable Area (cm ²)	Weight (kg/m.)	PG Code
040 KM 100	40	100	1,2	27	1,377	3025383
040 KM 200	40	200	1,2	55	1,543	3025384
040 KM 300	40	300	1,2	83	1,713	3025385
040 KM 400	40	400	1,2	111	1,880	3025386
040 KM 500	40	500	1,2	139	2,050	3025387
040 KM 600	40	600	1,2	167	2,217	3025388
050 KM 100	50	100	1,2	37	1,561	3025389
050 KM 200	50	200	1,2	75	1,731	3025390
050 KM 300	50	300	1,2	113	1,901	3025391
050 KM 400	50	400	1,2	151	2,068	3025392
050 KM 500	50	500	1,2	189	2,238	3025393
050 KM 600	50	600	1,2	227	2,405	3025394
060 KM 100	60	100	1,2	47	1,750	3025395
060 KM 200	60	200	1,2	95	1,920	3025396
060 KM 300	60	300	1,2	143	2,090	3025397
060 KM 400	60	400	1,2	191	2,257	3025398
060 KM 500	60	500	1,2	239	2,427	3025399
060 KM 600	60	600	1,2	287	2,593	3025400
075 KM 100	75	100	1,5	62	2,387	3025401
075 KM 200	75	200	1,5	125	2,557	3025402
075 KM 300	75	300	1,5	188	2,727	3025403
075 KM 400	75	400	1,5	250	2,893	3025404
075 KM 500	75	500	1,5	313	3,063	3025405
075 KM 600	75	600	1,5	376	3,230	3025406
100 KM 100	100	100	1,5	86	2,971	3025407
100 KM 200	100	200	1,5	174	3,141	3025408
100 KM 300	100	300	1,5	262	3,311	3025409
100 KM 400	100	400	1,5	349	3,477	3025410
100 KM 500	100	500	1,5	437	3,647	3025411
100 KM 600	100	600	1,5	525	3,814	3025412
125 KM 200	125	200	1,5	204	3,609	3025413
125 KM 300	125	300	1,5	307	3,779	3025414
125 KM 400	125	400	1,5	409	3,945	3025415
125 KM 500	125	500	1,5	512	4,115	3025416
125 KM 600	125	600	1,5	615	4,282	3025417
150 KM 200	150	200	1,5	273	4,140	3025418
150 KM 300	150	300	1,5	411	4,310	3025419
150 KM 400	150	400	1,5	548	4,477	3025420
150 KM 500	150	500	1,5	686	4,647	3025421
150 KM 600	150	600	1,5	824	4,813	3025422



■ KM Foldable cable ladders are compatible with the modules of UKE and KME series of cable ladders.

■ Please contact your representative for inquiries regarding stainless steel alternatives.

■ Please indicate product code in your orders.

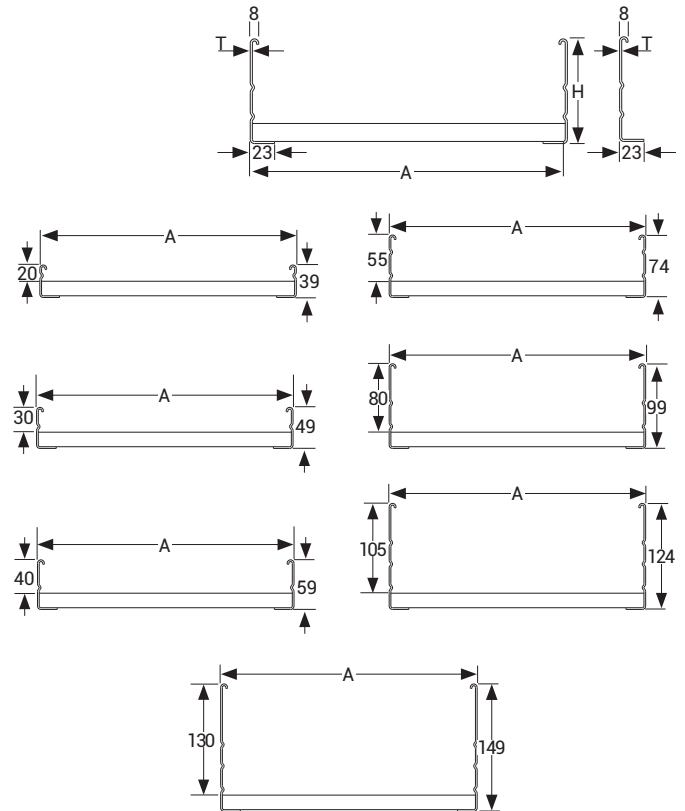
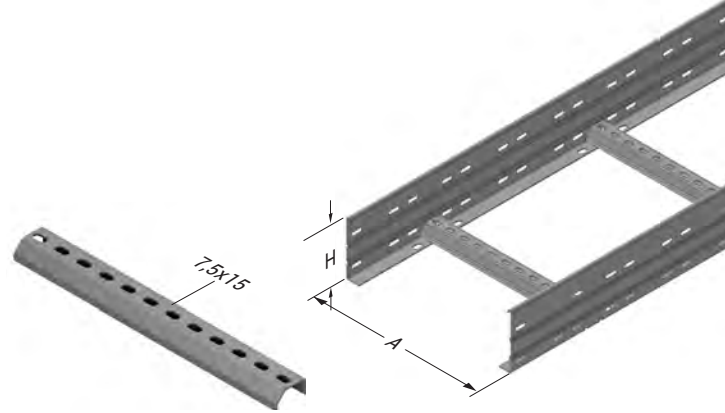
■ Please contact us for special dimensions.

■ Material weights may vary by ± 10%

■ All dimensions are given as in mm

■ PG= Pre-Galvanized
■ HDG= Hot Dip Galvanized

Description	H (mm)	A (mm)	T= 1,2		T= 1,5		T= 2	
			Weight (kg/m)	HDG Code	Weight (kg/m)	HDG Code	Weight (kg/m)	HDG Code
040 KME 100	40	100	1,555	3306087	1,830	3306105	2,387	3306150
040 KME 200	40	200	1,786	3306088	2,061	3306106	2,695	3306151
040 KME 300	40	300	2,014	3306089	2,289	3306107	2,999	3306152
040 KME 400	40	400	-	-	2,520	3306108	3,307	3306153
040 KME 500	40	500	-	-	2,751	3306109	3,615	3306154
040 KME 600	40	600	-	-	2,979	3306110	3,920	3306155
050 KME 100	50	100	1,761	3306093	2,089	3306111	2,732	3306156
050 KME 200	50	200	1,992	3306094	2,320	3306112	3,040	3306157
050 KME 300	50	300	2,221	3306095	2,549	3306113	3,345	3306158
050 KME 400	50	400	-	-	2,780	3306114	3,653	3306159
050 KME 500	50	500	-	-	3,011	3306115	3,961	3306160
050 KME 600	50	600	-	-	3,239	3306116	4,265	3306161
060 KME 100	60	100	1,969	3306099	2,347	3306117	3,078	3306162
060 KME 200	60	200	2,200	3306100	2,578	3306118	3,386	3306163
060 KME 300	60	300	2,428	3306101	2,807	3306119	3,690	3306164
060 KME 400	60	400	-	-	3,038	3306120	3,998	3306165
060 KME 450	60	450	-	-	3,153	3306121	4,152	3306166
060 KME 500	60	500	-	-	3,269	3306122	4,306	3306167
060 KME 600	60	600	-	-	3,497	3306123	4,610	3306168
075 KME 100	75	100	-	-	2,669	3306124	3,491	3306169
075 KME 200	75	200	-	-	2,900	3306125	3,799	3306170
075 KME 300	75	300	-	-	3,129	3306126	4,103	3306171
075 KME 400	75	400	-	-	3,360	3306127	4,411	3306172
075 KME 450	75	450	-	-	3,475	3306128	4,565	3306173
075 KME 500	75	500	-	-	3,591	3306129	4,719	3306174
075 KME 600	75	600	-	-	3,819	3306130	5,023	3306175
100 KME 200	100	200	-	-	3,543	3306132	4,663	3306176
100 KME 300	100	300	-	-	3,771	3306133	4,967	3306177
100 KME 400	100	400	-	-	4,002	3306134	5,275	3306178
100 KME 450	100	450	-	-	4,117	3306135	5,429	3306179
100 KME 500	100	500	-	-	4,233	3306136	5,583	3306180
100 KME 600	100	600	-	-	4,461	3306137	5,887	3306181
125 KME 200	125	200	-	-	-	-	5,347	3306182
125 KME 300	125	300	-	-	-	-	5,651	3306183
125 KME 400	125	400	-	-	-	-	5,959	3306184
125 KME 450	125	450	-	-	-	-	6,113	3306185
125 KME 500	125	500	-	-	-	-	6,267	3306186
125 KME 600	125	600	-	-	-	-	6,571	3306187
150 KME 200	150	200	-	-	-	-	6,121	3306188
150 KME 300	150	300	-	-	-	-	6,425	3306189
150 KME 400	150	400	-	-	-	-	6,733	3306190
150 KME 450	150	450	-	-	-	-	6,887	3306191
150 KME 500	150	500	-	-	-	-	7,041	3306192
150 KME 600	150	600	-	-	-	-	7,346	3306193



KM

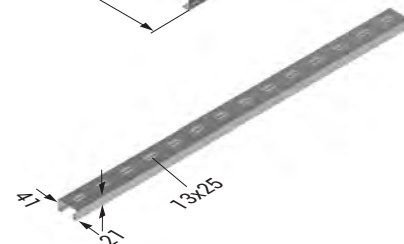
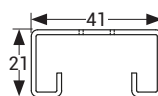
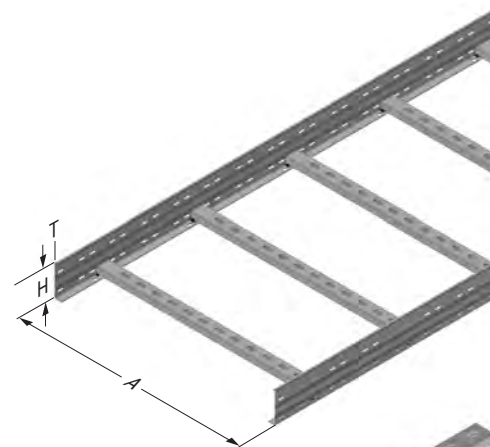
Required bolt quantities for cable tray module assembly:

- For H40 cable tray module assembly: 4 sets of M6x12 bolts
- For H50 cable tray module assembly: 4 sets of M6x12 bolts
- For H60 cable tray module assembly: 4 sets of M6x12 bolts
- For H75 cable tray module assembly: 8 sets of M6x12 bolts
- For H100 cable tray module assembly: 8 sets of M6x12 bolts
- For H125 cable tray module assembly: 16 sets of M6x12 bolts
- For H150 cable tray module assembly: 16 sets of M6x12 bolts

- Standard length is 3000 mm
- Please contact your representative for inquiries regarding stainless steel alternatives.
- Please indicate product code in your orders.
- Please contact us for special dimensions.
- Material weights may vary by ± 10%

- All dimensions are given as in mm
- PG= Pre-Galvanized
- HDG= Hot Dip Galvanized

Description	H (mm)	A (mm)	T (mm)	Weight (kg/m)	HDG Code
060 KME 700	60	700	2	6,532	3306194
060 KME 800	60	800	2	7,067	3306195
060 KME 900	60	900	2	7,602	3306196
075 KME 700	75	700	2	6,945	3306197
075 KME 800	75	800	2	7,480	3306198
075 KME 900	75	900	2	8,015	3306199
100 KME 700	100	700	2	7,809	3306200
100 KME 800	100	800	2	8,344	3306201
100 KME 900	100	900	2	8,879	3306202
125 KME 700	125	700	2	8,493	3306203
125 KME 800	125	800	2	9,028	3306204
125 KME 900	125	900	2	9,563	3306205
150 KME 700	150	700	2	9,267	3306206
150 KME 800	150	800	2	9,802	3306207
150 KME 900	150	900	2	10,338	3306208



► KME Cable Ladder Cover

Hot Dip Galvanized (TS EN ISO 1461)

Description	A (mm)	T=1		T=1,2		T=1,5		T=2	
		Weight (kg/m)	HDG Code	Weight (kg/m)	HDG Code	Weight (kg/m)	HDG Code	Weight (kg/m)	HDG Code
KME 100 COVER	105	1,059	3006907	1,270	3270643	1,602	3087651	2,118	3005698
KME 200 COVER	205	1,927	3006903	2,312	3270645	2,905	3087650	3,853	3005694
KME 300 COVER	305	2,891	3299283	3,353	3270648	4,191	3006899	5,589	3005690
KME 400 COVER	405	3,681	3225909	4,416	3270649	5,493	3006897	7,325	3005688
KME 450 COVER	455	4,096	3275578	4,915	3270650	6,144	3270651	8,192	3241471
KME 500 COVER	505	-	-	5,436	3275580	6,795	3006895	9,061	3005686
KME 600 COVER	605	-	-	6,478	3275584	8,097	3006893	10,797	3005684



► Cable Ladder Joint Bolt & Nut Set

Description	Weight (kg/pcs)	Order Code
JOINT BOLT SET M6	0,009	1004314



- Contains 1 unit M6x12 round head bolt + 1 unit M6 flanged nut. Coated with standard lac.

► Bolt Cover Clamp

Hot Dip Galvanized (TS EN ISO 1461)

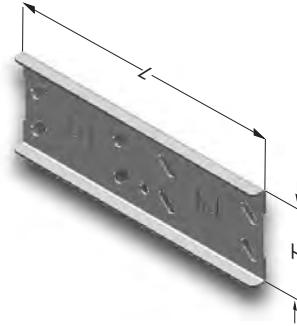
Description	H (mm)	T=3	
		Weight (kg/pcs)	HDG Code
Bolt Cover Clamp H: 040	41	0,077	3290060
Bolt Cover Clamp H: 050	51	0,085	3290061
Bolt Cover Clamp H: 060	61	0,092	3290062
Bolt Cover Clamp H: 075	76	0,103	3290063
Bolt Cover Clamp H: 100	101	0,123	3290064
Bolt Cover Clamp H: 125	126	0,143	3290065
Bolt Cover Clamp H: 150	151	0,162	3290066



- Standard length is 3000 mm
- Please contact your representative for inquiries regarding stainless steel alternatives.
- Please indicate product code in your orders.
- Please contact us for special dimensions.
- Material weights may vary by $\pm 10\%$

- All dimensions are given as in mm
- PG= Pre-Galvanized
- HDG= Hot Dip Galvanized

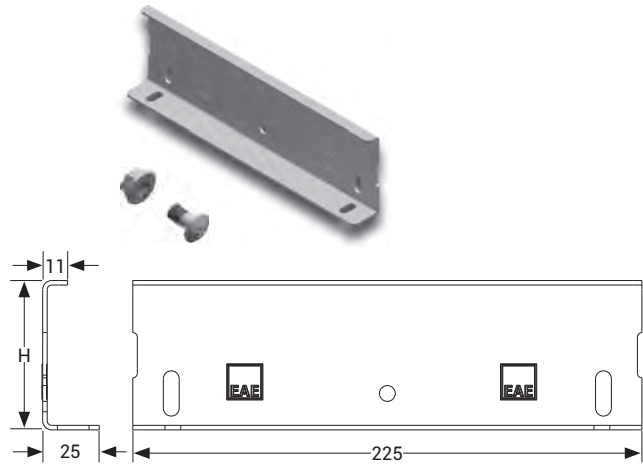
Description	L (mm)	T (mm)	Weight (kg/pcs)	HDG Code
040 KME JOINT FITTING	210	1	0,102	3240945
040 KME JOINT FITTING	200	1,2	0,117	3127207
040 KME JOINT FITTING	200	1,5	0,146	3006167
040 KME JOINT FITTING	210	2	0,207	3006945
050 KME JOINT FITTING	210	1	0,121	3240946
050 KME JOINT FITTING	200	1,2	0,138	3127208
050 KME JOINT FITTING	200	1,5	0,173	3006165
050 KME JOINT FITTING	210	2	0,243	3006943
060 KME JOINT FITTING	210	1	0,139	3240947
060 KME JOINT FITTING	200	1,2	0,158	3127209
060 KME JOINT FITTING	200	1,5	0,198	3006163
060 KME JOINT FITTING	210	2	0,279	3006941
075 KME JOINT FITTING	210	1	0,162	3292988
075 KME JOINT FITTING	200	1,2	0,184	3292990
075 KME JOINT FITTING	200	1,5	0,231	3006161
075 KME JOINT FITTING	210	2	0,325	3006939
100 KME JOINT FITTING	210	1	0,207	3293279
100 KME JOINT FITTING	200	1,2	0,237	3293277
100 KME JOINT FITTING	200	1,5	0,296	3006159
100 KME JOINT FITTING	210	2	0,417	3006937
125 KME JOINT FITTING	192	2	0,453	3003311
150 KME JOINT FITTING	210	2	0,586	3003312



► KME Expansion Set

Hot Dip Galvanized (TS EN ISO 1461)

Description	Joining Ladder Thickness (mm)	H (mm)	T (mm)	Weight (kg/set)	HDG Code
40 KME EXPANSION SET	1 - 1,2	40	2	0,627	3006612
40 KME EXPANSION SET	1,5 - 2	40	2	0,627	3006615
50 KME EXPANSION SET	1 - 1,2	50	2	0,706	3006613
50 KME EXPANSION SET	1,5 - 2	50	2	0,706	3006616
60 KME EXPANSION SET	1 - 1,2	60	2	0,783	3006614
60 KME EXPANSION SET	1,5 - 2	60	2	0,783	3006617
75 KME EXPANSION SET	1,5 - 2	75	2	0,900	3006618
100 KME EXPANSION SET	1,5 - 2	100	2	1,087	3006619
125 KME EXPANSION SET	1,5 - 2	125	2	1,164	3006620
150 KME EXPANSION SET	1,5 - 2	150	2	1,334	3006621



- Expansion set allows 35mm expansion.
- Expansion set includes 2 pcs expansion unit and 8 pcs bolts&nuts for 40-50-60-75-100mm height.
- Expansion set includes 2 pcs expansion unit and 12 pcs bolts&nuts for 125&150mm height.

► Cable Tray Cover Clamps

Paslanmaz Yay Çeliği (SS301)

Description	Weight (kg/pcs)	Order Code
040 COVER CLAMP (OUTWARD)	0,010	1004254
050 COVER CLAMP (OUTWARD)	0,013	1004184
060 COVER CLAMP (OUTWARD)	0,015	1004253
075 COVER CLAMP (OUTWARD)	0,019	1004183
100 COVER CLAMP (OUTWARD)	0,026	1004182
125 COVER CLAMP (OUTWARD)	0,035	1004180
150 COVER CLAMP (OUTWARD)	0,042	1004181



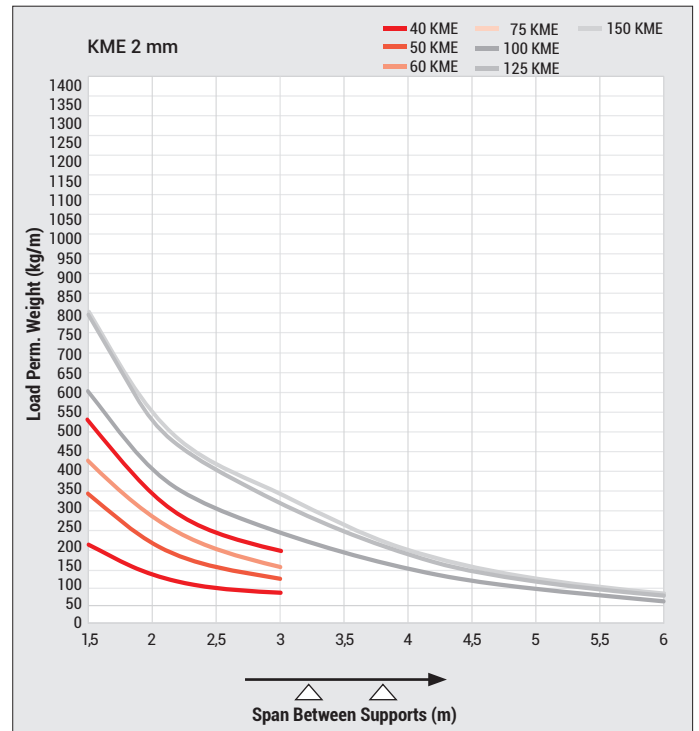
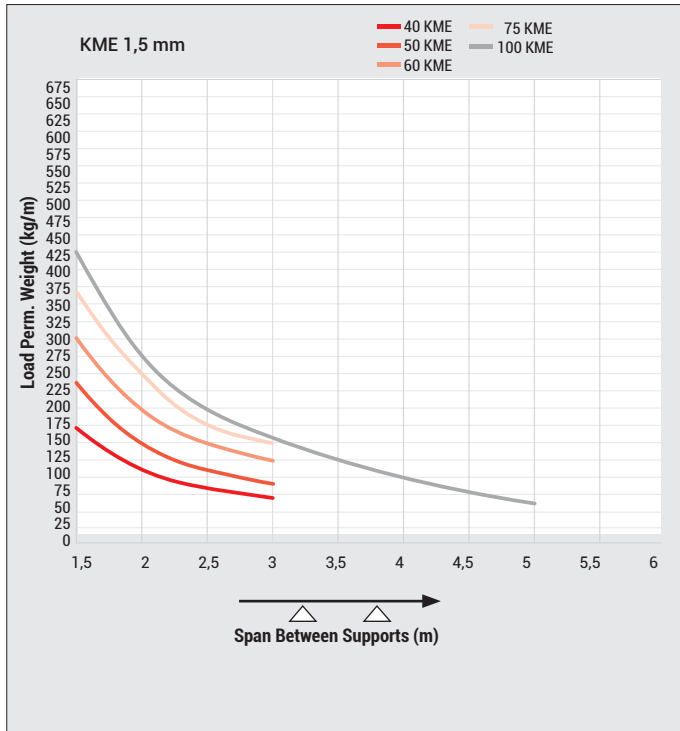
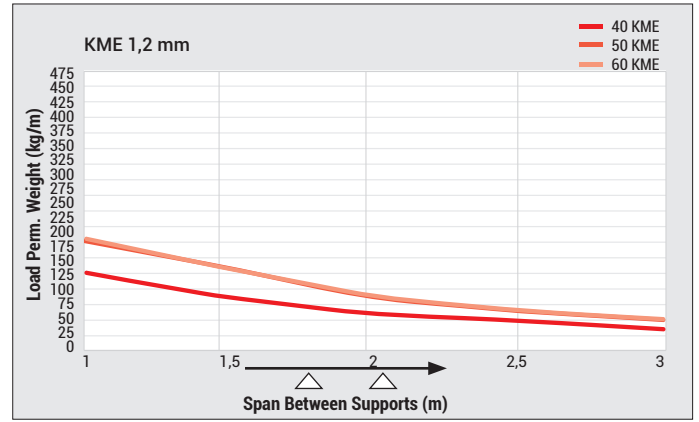
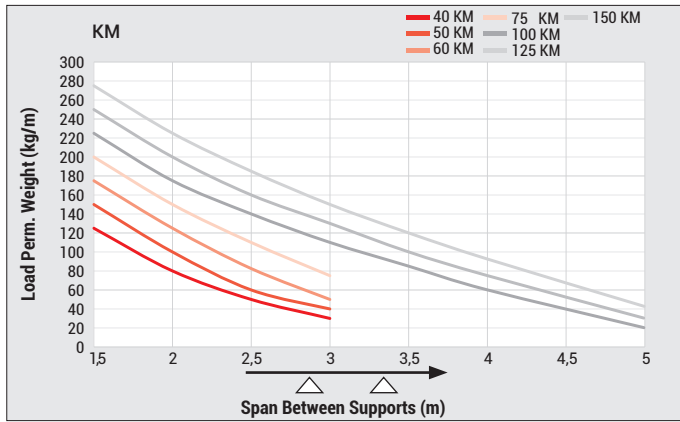
Spiked Structure



Cover Clamp (outward)
(Alkaline Lacquer Coated)

- Please contact your representative for inquiries regarding stainless steel alternatives.
- Please indicate product code in your orders.
- Please contact us for special dimensions.
- Material weights may vary by $\pm 10\%$

- All dimensions are given as in mm
- PG= Pre-Galvanized
- HDG= Hot Dip Galvanized



- Please contact your representative for inquiries regarding stainless steel alternatives.
- Please indicate product code in your orders.
- Please contact us for special dimensions.
- Material weights may vary by ± 10%

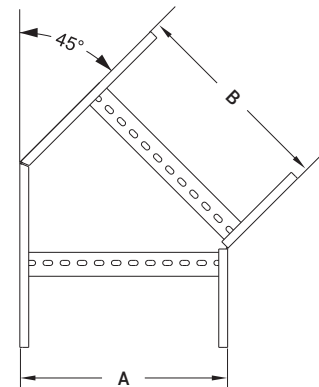
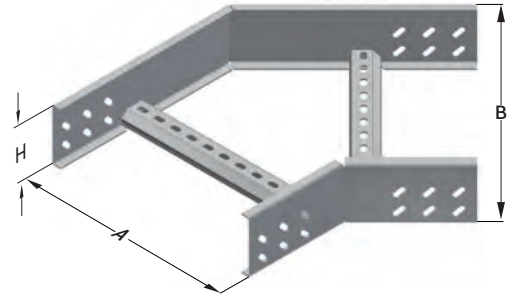
- All dimensions are given as in mm
- PG= Pre-Galvanized
- HDG= Hot Dip Galvanized

►► BENDS

► KME YD 45° Horizontal Bend

Hot Dip Galvanized (TS EN ISO 1461)

Description	H (mm)	AB (mm)	T=1,2		T=1,5		T=2	
			Weight (kg/pcs)	HDG Code	Weight (kg/pcs)	HDG Code	Weight (kg/pcs)	HDG Code
040 KME 100 YD	40	100	0,623	3272107	0,669	3272068	0,894	3265039
040 KME 200 YD	40	200	0,831	3272108	0,877	3272069	1,169	3265040
040 KME 300 YD	40	300	1,035	3272109	1,081	3272070	1,445	3265041
040 KME 400 YD	40	400	1,243	3272110	1,289	3272071	1,722	3265042
040 KME 500 YD	40	500	1,450	3272111	1,496	3272072	1,997	3265043
040 KME 600 YD	40	600	1,658	3272112	1,704	3272073	2,273	3265044
050 KME 100 YD	50	100	0,701	3272113	0,755	3272074	1,008	3265045
050 KME 200 YD	50	200	0,920	3272114	0,974	3272075	1,297	3265046
050 KME 300 YD	50	300	1,135	3272115	1,189	3272076	1,587	3265047
050 KME 400 YD	50	400	1,353	3272116	1,407	3272077	1,878	3265048
050 KME 500 YD	50	500	1,571	3272117	1,625	3272078	2,166	3265049
050 KME 600 YD	50	600	1,789	3272118	1,843	3272079	2,457	3265050
060 KME 100 YD	60	100	0,780	3272119	0,842	3272080	1,122	3265051
060 KME 200 YD	60	200	1,008	3272120	1,069	3272081	1,425	3265052
060 KME 300 YD	60	300	1,234	3272121	1,296	3272082	1,730	3265053
060 KME 400 YD	60	400	1,463	3272122	1,525	3272083	2,035	3265054
060 KME 500 YD	60	500	1,692	3272123	1,753	3272084	2,338	3265055
060 KME 600 YD	60	600	1,921	3272124	1,982	3272085	2,643	3265056
075 KME 100 YD	75	100	-	-	0,954	3272086	1,272	3265057
075 KME 200 YD	75	200	-	-	1,199	3272087	1,596	3265058
075 KME 300 YD	75	300	-	-	1,441	3272088	1,923	3265059
075 KME 400 YD	75	400	-	-	1,686	3272089	2,248	3265060
075 KME 500 YD	75	500	-	-	1,931	3272090	2,573	3265061
075 KME 600 YD	75	600	-	-	2,176	3272091	2,900	3265062
100 KME 200 YD	100	200	-	-	1,422	3272092	1,896	3265063
100 KME 300 YD	100	300	-	-	1,692	3272093	2,258	3265064
100 KME 400 YD	100	400	-	-	1,964	3272094	2,621	3265065
100 KME 500 YD	100	500	-	-	2,235	3272095	2,981	3265066
100 KME 600 YD	100	600	-	-	2,507	3272096	3,343	3265067
125 KME 200 YD	125	200	-	-	1,648	3272097	2,196	3265068
125 KME 300 YD	125	300	-	-	1,945	3272098	2,594	3265069
125 KME 400 YD	125	400	-	-	2,243	3272099	2,992	3265070
125 KME 500 YD	125	500	-	-	2,541	3272100	3,388	3265071
125 KME 600 YD	125	600	-	-	2,840	3272101	3,786	3265072
150 KME 200 YD	150	200	-	-	1,873	3272102	2,497	3265073
150 KME 300 YD	150	300	-	-	2,197	3272103	2,930	3265074
150 KME 400 YD	150	400	-	-	2,522	3272104	3,364	3265075
150 KME 500 YD	150	500	-	-	2,848	3272105	3,796	3265076
150 KME 600 YD	150	600	-	-	3,172	3272106	4,230	3265077

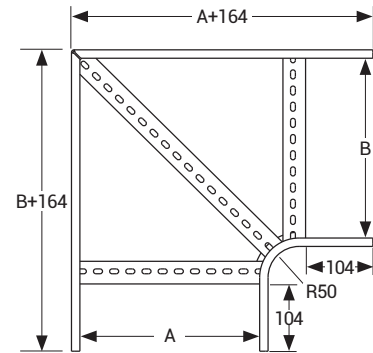
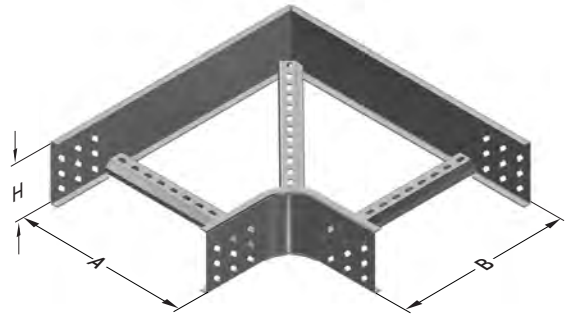


KM

- Please contact your representative for inquiries regarding stainless steel alternatives.
- Please indicate product code in your orders.
- Please contact us for special dimensions.
- Material weights may vary by ± 10%

- All dimensions are given as in mm
- PG= Pre-Galvanized
- HDG= Hot Dip Galvanized

Description	H (mm)	AB (mm)	T=1,2		T=1,5		T=2	
			Weight (kg/pcs)	HDG Code	Weight (kg/pcs)	HDG Code	Weight (kg/pcs)	HDG Code
040 KME 100 YD	40	100	0,697	3272185	0,837	3272146	1,154	3265398
040 KME 200 YD	40	200	0,969	3272186	1,142	3272147	1,562	3265399
040 KME 300 YD	40	300	1,536	3272187	1,775	3272148	2,365	3265400
040 KME 400 YD	40	400	1,860	3272188	2,133	3272149	2,906	3265401
040 KME 500 YD	40	500	2,220	3272189	2,527	3272150	3,435	3265402
040 KME 600 YD	40	600	2,641	3272190	2,981	3272151	3,971	3265403
050 KME 100 YD	50	100	0,783	3272191	0,945	3272152	1,170	3265404
050 KME 200 YD	50	200	1,076	3272192	1,276	3272153	1,740	3265405
050 KME 300 YD	50	300	1,663	3272193	1,935	3272154	2,578	3265406
050 KME 400 YD	50	400	2,009	3272194	2,319	3272155	3,155	3265407
050 KME 500 YD	50	500	2,388	3272195	2,738	3272156	3,717	3265408
050 KME 600 YD	50	600	2,830	3272196	3,219	3272157	4,288	3265409
060 KME 100 YD	60	100	0,870	3272197	1,054	3272158	1,442	3265410
060 KME 200 YD	60	200	1,183	3272198	1,410	3272159	1,920	3265411
060 KME 300 YD	60	300	1,791	3272199	2,096	3272160	2,792	3265412
060 KME 400 YD	60	400	2,157	3272200	2,505	3272161	3,402	3265413
060 KME 500 YD	60	500	2,559	3272201	2,949	3272162	4,000	3265414
060 KME 600 YD	60	600	3,021	3272202	3,456	3272163	4,605	3265415
075 KME 100 YD	75	100	-	-	1,198	3272164	1,637	3265416
075 KME 200 YD	75	200	-	-	1,594	3272165	2,165	3265417
075 KME 300 YD	75	300	-	-	2,318	3272166	3,089	3265418
075 KME 400 YD	75	400	-	-	2,767	3272167	3,751	3265419
075 KME 500 YD	75	500	-	-	3,249	3272168	4,400	3265420
075 KME 600 YD	75	600	-	-	3,795	3272169	5,058	3265421
100 KME 200 YD	100	200	-	-	1,912	3272170	2,588	3265422
100 KME 300 YD	100	300	-	-	2,701	3272171	3,598	3265423
100 KME 400 YD	100	400	-	-	3,213	3272172	4,347	3265424
100 KME 500 YD	100	500	-	-	3,762	3272173	5,083	3265425
100 KME 600 YD	100	600	-	-	4,373	3272174	5,826	3265426
125 KME 200 YD	125	200	-	-	2,230	3272175	3,013	3265427
125 KME 300 YD	125	300	-	-	3,082	3272176	4,110	3265428
125 KME 400 YD	125	400	-	-	3,661	3272177	4,945	3265429
125 KME 500 YD	125	500	-	-	4,274	3272178	5,766	3265430
125 KME 600 YD	125	600	-	-	4,949	3272179	6,596	3265431
150 KME 200 YD	150	200	-	-	2,547	3272180	3,435	3265432
150 KME 300 YD	150	300	-	-	3,465	3272181	4,619	3265433
150 KME 400 YD	150	400	-	-	4,107	3272182	5,541	3265434
150 KME 500 YD	150	500	-	-	4,786	3272183	6,448	3265435
150 KME 600 YD	150	600	-	-	5,525	3272184	7,365	3265436



■ Please contact your representative for inquiries regarding stainless steel alternatives.

■ Please indicate product code in your orders.

■ Please contact us for special dimensions.

■ Material weights may vary by ± 10%

■ All dimensions are given as in mm

■ PG= Pre-Galvanized

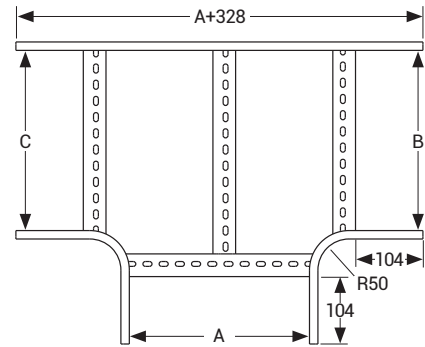
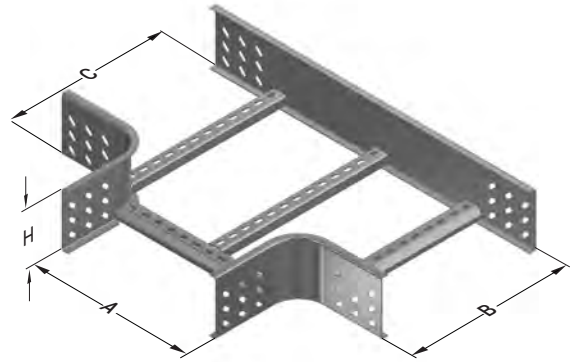
■ HDG= Hot Dip Galvanized

►► BENDS

► KME YT Tee Bend

Hot Dip Galvanized (TS EN ISO 1461)

Description	H (mm)	ABC (mm)	T=1,2		T=1,5		T=2	
			Weight (kg/pcs)	HDG Code	Weight (kg/pcs)	HDG Code	Weight (kg/pcs)	HDG Code
40 KME 100 YT	40	100	0,812	3272263	0,980	3272224	1,309	3265502
40 KME 200 YT	40	200	1,016	3272264	1,201	3272225	1,604	3265503
40 KME 300 YT	40	300	1,447	3272265	1,649	3272226	2,203	3265504
40 KME 400 YT	40	400	1,722	3272266	1,939	3272227	2,591	3265505
40 KME 500 YT	40	500	1,986	3272267	2,220	3272228	2,981	3265506
40 KME 600 YT	40	600	2,269	3272268	2,521	3272229	3,367	3265507
50 KME 100 YT	50	100	0,917	3272269	1,114	3272230	1,492	3265508
50 KME 200 YT	50	200	1,133	3272270	1,349	3272231	1,804	3265509
50 KME 300 YT	50	300	1,574	3272271	1,810	3272232	2,421	3265510
50 KME 400 YT	50	400	1,858	3272272	2,113	3272233	2,827	3265511
50 KME 500 YT	50	500	2,133	3272273	2,407	3272234	3,235	3265512
50 KME 600 YT	50	600	2,428	3272274	2,720	3272235	3,639	3265513
60 KME 100 YT	60	100	1,026	3272275	1,250	3272236	1,671	3265514
60 KME 200 YT	60	200	1,252	3272276	1,497	3272237	2,001	3265515
60 KME 300 YT	60	300	1,703	3272277	1,969	3272238	2,636	3265516
60 KME 400 YT	60	400	1,998	3272278	2,286	3272239	3,058	3265517
60 KME 500 YT	60	500	2,283	3272279	2,593	3272240	3,484	3265518
60 KME 600 YT	60	600	2,587	3272280	2,919	3272241	3,905	3265519
75 KME 100 YT	75	100	-	-	1,426	3272242	1,904	3265520
75 KME 200 YT	75	200	-	-	1,692	3272243	2,261	3265521
75 KME 300 YT	75	300	-	-	2,185	3272244	2,921	3265522
75 KME 400 YT	75	400	-	-	2,520	3272245	3,369	3265523
75 KME 500 YT	75	500	-	-	2,847	3272246	3,820	3265524
75 KME 600 YT	75	600	-	-	3,192	3272247	4,268	3265525
100 KME 200 YT	100	200	-	-	2,026	3272248	2,719	3265526
100 KME 300 YT	100	300	-	-	2,551	3272249	3,423	3265527
100 KME 400 YT	100	400	-	-	2,919	3272250	3,915	3265528
100 KME 500 YT	100	500	-	-	3,278	3272251	4,409	3265529
100 KME 600 YT	100	600	-	-	3,656	3272252	4,899	3265530
125 KME 200 YT	125	200	-	-	2,378	3272253	3,176	3265531
125 KME 300 YT	125	300	-	-	2,935	3272254	3,923	3265532
125 KME 400 YT	125	400	-	-	3,336	3272255	4,457	3265533
125 KME 500 YT	125	500	-	-	3,727	3272256	4,995	3265534
125 KME 600 YT	125	600	-	-	4,137	3272257	5,529	3265535
150 KME 200 YT	150	200	-	-	2,720	3272258	3,634	3265536
150 KME 300 YT	150	300	-	-	3,310	3272259	4,424	3265537
150 KME 400 YT	150	400	-	-	3,743	3272260	5,003	3265538
150 KME 500 YT	150	500	-	-	4,167	3272261	5,584	3265539
150 KME 600 YT	150	600	-	-	4,610	3272262	6,161	3265540

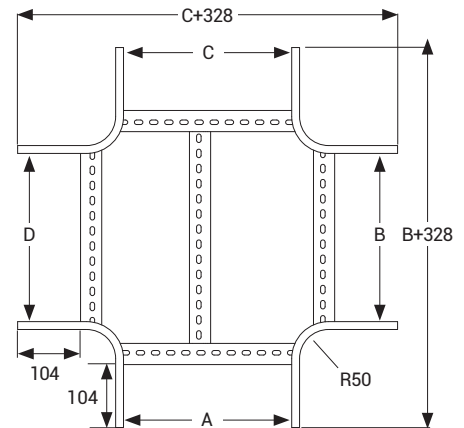
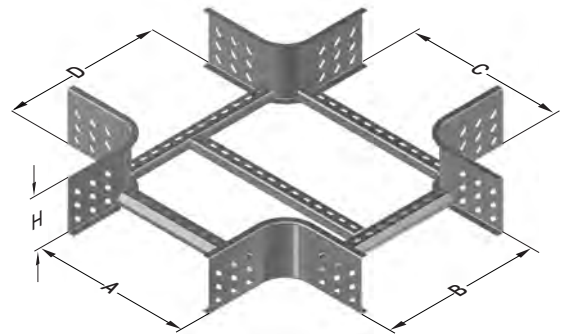


KM

- Please contact your representative for inquiries regarding stainless steel alternatives.
- Please indicate product code in your orders.
- Please contact us for special dimensions.
- Material weights may vary by ± 10%

- All dimensions are given as in mm
- PG= Pre-Galvanized
- HDG= Hot Dip Galvanized

Description	H (mm)	ABCD (mm)	T=1,2		T=1,5		T=2	
			Weight (kg/pcs)	HDG Code	Weight (kg/pcs)	HDG Code	Weight (kg/pcs)	HDG Code
40 KME 100 AD	40	100	1,069	3271872	1,267	3271833	1,694	3265605
40 KME 200 AD	40	200	1,485	3271873	1,720	3271834	2,296	3265606
40 KME 300 AD	40	300	1,832	3271874	2,065	3271835	2,762	3265607
40 KME 400 AD	40	400	2,455	3271875	2,724	3271836	3,641	3265608
40 KME 500 AD	40	500	2,871	3271876	3,144	3271837	4,202	3265609
40 KME 600 AD	40	600	3,287	3271877	3,555	3271838	4,752	3265610
50 KME 100 AD	50	100	1,192	3271878	1,426	3271839	1,905	3265611
50 KME 200 AD	50	200	1,608	3271879	1,879	3271840	2,507	3265612
50 KME 300 AD	50	300	1,955	3271880	2,223	3271841	2,973	3265613
50 KME 400 AD	50	400	2,578	3271881	2,882	3271842	3,852	3265614
50 KME 500 AD	50	500	2,994	3271882	3,302	3271843	4,413	3265615
50 KME 600 AD	50	600	3,410	3271883	3,714	3271844	4,963	3265616
60 KME 100 AD	60	100	1,320	3271884	1,584	3271845	2,116	3265617
60 KME 200 AD	60	200	1,736	3271885	2,037	3271846	2,718	3265618
60 KME 300 AD	60	300	2,082	3271886	2,382	3271847	3,185	3265619
60 KME 400 AD	60	400	2,706	3271887	3,040	3271848	4,063	3265620
60 KME 500 AD	60	500	3,122	3271888	3,461	3271849	4,624	3265621
60 KME 600 AD	60	600	3,538	3271889	3,872	3271850	5,174	3265622
75 KME 100 AD	75	100	-	-	1,786	3271851	2,385	3265623
75 KME 200 AD	75	200	-	-	2,240	3271852	2,987	3265624
75 KME 300 AD	75	300	-	-	2,584	3271853	3,453	3265625
75 KME 400 AD	75	400	-	-	3,243	3271854	4,332	3265626
75 KME 500 AD	75	500	-	-	3,663	3271855	4,893	3265627
75 KME 600 AD	75	600	-	-	4,074	3271856	5,443	3265628
100 KME 200 AD	100	200	-	-	2,600	3271857	3,471	3265629
100 KME 300 AD	100	300	-	-	2,945	3271858	3,937	3265630
100 KME 400 AD	100	400	-	-	3,604	3271859	4,816	3265631
100 KME 500 AD	100	500	-	-	4,024	3271860	5,377	3265632
100 KME 600 AD	100	600	-	-	4,435	3271861	5,927	3265633
125 KME 200 AD	125	200	-	-	2,961	3271862	3,950	3265634
125 KME 300 AD	125	300	-	-	3,306	3271863	4,417	3265635
125 KME 400 AD	125	400	-	-	3,964	3271864	5,295	3265636
125 KME 500 AD	125	500	-	-	4,385	3271865	5,856	3265637
125 KME 600 AD	125	600	-	-	4,796	3271866	6,406	3265638
150 KME 200 AD	150	200	-	-	3,322	3271867	4,434	3265639
150 KME 300 AD	150	300	-	-	3,666	3271868	4,901	3265640
150 KME 400 AD	150	400	-	-	4,325	3271869	5,779	3265641
150 KME 500 AD	150	500	-	-	4,745	3271870	6,340	3265642
150 KME 600 AD	150	600	-	-	5,157	3271871	6,890	3265643



■ Please contact your representative for inquiries regarding stainless steel alternatives.

■ Please indicate product code in your orders.

■ Please contact us for special dimensions.

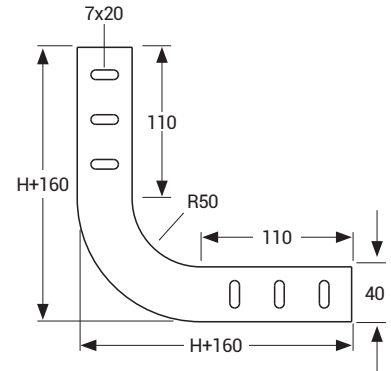
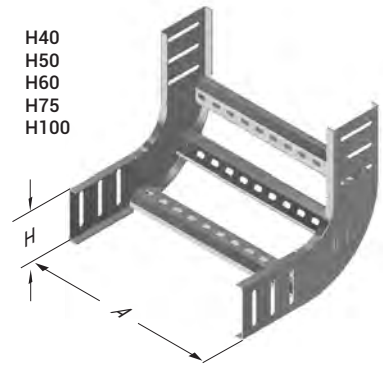
■ Material weights may vary by ± 10%

■ All dimensions are given as in mm

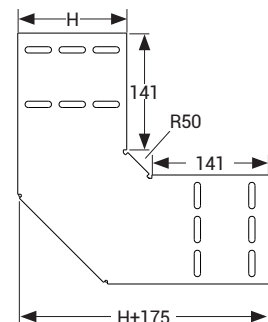
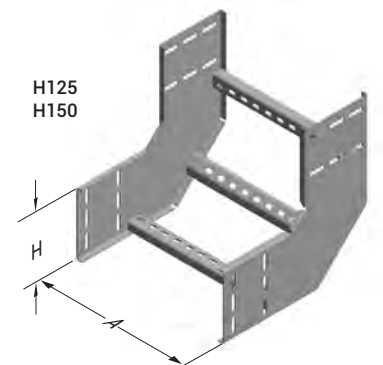
■ PG= Pre-Galvanized

■ HDG= Hot Dip Galvanized

Description	H (mm)	A (mm)	T=1,2		T=1,5		T=2	
			Weight (kg/pcs)	HDG Code	Weight (kg/pcs)	HDG Code	Weight (kg/pcs)	HDG Code
40 KME 100 ID	40	100	0,568	3272029	0,673	3271990	0,898	3265227
40 KME 200 ID	40	200	0,704	3272030	0,810	3271991	1,080	3265228
40 KME 300 ID	40	300	0,843	3272031	0,948	3271992	1,265	3265229
40 KME 400 ID	40	400	0,981	3272032	1,363	3271993	1,818	3265230
40 KME 500 ID	40	500	1,120	3272033	1,571	3271994	2,092	3265231
40 KME 600 ID	40	600	1,256	3272034	1,775	3271995	2,369	3265232
50 KME 100 ID	50	100	0,638	3272035	0,763	3271996	1,019	3265233
50 KME 200 ID	50	200	0,774	3272036	0,900	3271997	1,201	3265234
50 KME 300 ID	50	300	0,913	3272037	1,038	3271998	1,386	3265235
50 KME 400 ID	50	400	1,052	3272038	1,453	3271999	1,939	3265236
50 KME 500 ID	50	500	1,190	3272039	1,661	3272000	2,213	3265237
50 KME 600 ID	50	600	1,327	3272040	1,866	3272001	2,490	3265238
60 KME 100 ID	60	100	0,715	3272041	0,858	3272002	1,144	3265239
60 KME 200 ID	60	200	0,851	3272042	0,994	3272003	1,327	3265240
60 KME 300 ID	60	300	0,990	3272043	1,133	3272004	1,511	3265241
60 KME 400 ID	60	400	1,129	3272044	1,548	3272005	2,065	3265242
60 KME 500 ID	60	500	1,267	3272045	1,756	3272006	2,339	3265243
60 KME 600 ID	60	600	1,404	3272046	1,960	3272007	2,616	3265244
75 KME 100 ID	75	100	-	-	1,005	3272008	1,342	3265245
75 KME 200 ID	75	200	-	-	1,142	3272009	1,525	3265246
75 KME 300 ID	75	300	-	-	1,280	3272010	1,709	3265247
75 KME 400 ID	75	400	-	-	1,695	3272011	2,263	3265248
75 KME 500 ID	75	500	-	-	1,903	3272012	2,537	3265249
75 KME 600 ID	75	600	-	-	2,108	3272013	2,814	3265250
100 KME 200 ID	100	200	-	-	1,410	3272014	1,881	3265251
100 KME 300 ID	100	300	-	-	1,549	3272015	2,066	3265252
100 KME 400 ID	100	400	-	-	1,964	3272016	2,619	3265253
100 KME 500 ID	100	500	-	-	2,171	3272017	2,893	3265254
100 KME 600 ID	100	600	-	-	2,376	3272018	3,170	3265255



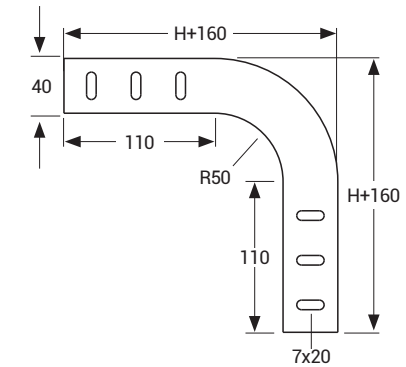
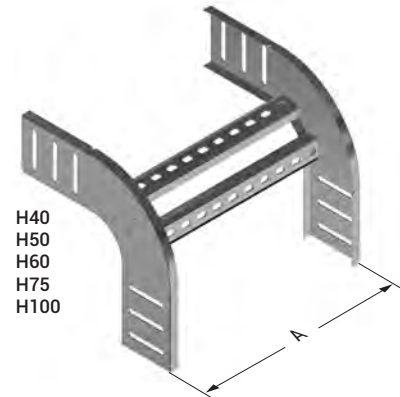
Description	H (mm)	A (mm)	T=1,2		T=1,5		T=2	
			Weight (kg/pcs)	HDG Code	Weight (kg/pcs)	HDG Code	Weight (kg/pcs)	HDG Code
125 KME 200 ID	125	200	-	-	1,979	3272019	2,639	3265256
125 KME 300 ID	125	300	-	-	2,188	3272020	2,917	3265257
125 KME 400 ID	125	400	-	-	2,397	3272021	3,196	3265258
125 KME 500 ID	125	500	-	-	2,605	3272022	3,473	3265259
125 KME 600 ID	125	600	-	-	2,813	3272023	3,751	3265260
150 KME 200 ID	150	200	-	-	2,331	3272024	3,109	3265261
150 KME 300 ID	150	300	-	-	2,540	3272025	3,387	3265262
150 KME 400 ID	150	400	-	-	2,749	3272026	3,665	3265263
150 KME 500 ID	150	500	-	-	2,957	3272027	3,942	3265264
150 KME 600 ID	150	600	-	-	3,166	3272028	4,221	3265265



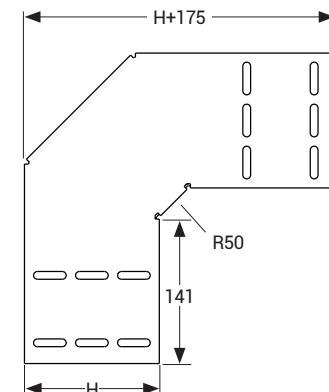
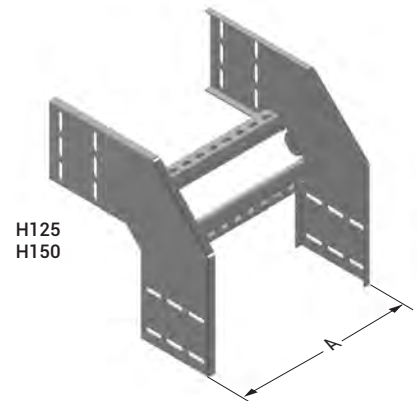
- Please contact your representative for inquiries regarding stainless steel alternatives.
- Please indicate product code in your orders.
- Please contact us for special dimensions.
- Material weights may vary by ± 10%

- All dimensions are given as in mm
- PG= Pre-Galvanized
- HDG= Hot Dip Galvanized

Description	H (mm)	A (mm)	T=1,2		T=1,5		T=2	
			Weight (kg/pcs)	HDG Code	Weight (kg/pcs)	HDG Code	Weight (kg/pcs)	HDG Code
40 KME 100 DD	40	100	0,568	3271951	0,673	3271912	0,898	3265188
40 KME 200 DD	40	200	0,704	3271952	0,810	3271913	1,080	3265189
40 KME 300 DD	40	300	0,843	3271953	0,948	3271914	1,265	3265190
40 KME 400 DD	40	400	0,981	3271954	1,087	3271915	1,450	3265191
40 KME 500 DD	40	500	1,120	3271955	1,225	3271916	1,632	3265192
40 KME 600 DD	40	600	1,256	3271956	1,362	3271917	1,817	3265193
50 KME 100 DD	50	100	0,638	3271957	0,763	3271918	1,019	3265194
50 KME 200 DD	50	200	0,774	3271958	0,900	3271919	1,201	3265195
50 KME 300 DD	50	300	0,913	3271959	1,038	3271920	1,386	3265196
50 KME 400 DD	50	400	1,052	3271960	1,177	3271921	1,571	3265197
50 KME 500 DD	50	500	1,190	3271961	1,316	3271922	1,753	3265198
50 KME 600 DD	50	600	1,327	3271962	1,452	3271923	1,938	3265199
60 KME 100 DD	60	100	0,715	3271963	0,858	3271924	1,144	3265200
60 KME 200 DD	60	200	0,851	3271964	0,994	3271925	1,327	3265201
60 KME 300 DD	60	300	0,990	3271965	1,133	3271926	1,511	3265202
60 KME 400 DD	60	400	1,129	3271966	1,272	3271927	1,696	3265203
60 KME 500 DD	60	500	1,267	3271967	1,410	3271928	1,879	3265204
60 KME 600 DD	60	600	1,404	3271968	1,547	3271929	2,064	3265205
75 KME 100 DD	75	100	-	-	1,005	3271930	1,342	3265206
75 KME 200 DD	75	200	-	-	1,142	3271931	1,525	3265207
75 KME 300 DD	75	300	-	-	1,280	3271932	1,709	3265208
75 KME 400 DD	75	400	-	-	1,419	3271933	1,894	3265209
75 KME 500 DD	75	500	-	-	1,558	3271934	2,077	3265210
75 KME 600 DD	75	600	-	-	1,694	3271935	2,262	3265211
100 KME 200 DD	100	200	-	-	1,410	3271936	1,881	3265212
100 KME 300 DD	100	300	-	-	1,549	3271937	2,066	3265213
100 KME 400 DD	100	400	-	-	1,687	3271938	2,251	3265214
100 KME 500 DD	100	500	-	-	1,826	3271939	2,433	3265215
100 KME 600 DD	100	600	-	-	1,962	3271940	2,618	3265216



Description	H (mm)	A (mm)	T=1,2		T=1,5		T=2	
			Weight (kg/pcs)	HDG Code	Weight (kg/pcs)	HDG Code	Weight (kg/pcs)	HDG Code
125 KME 200 DD	125	200	-	-	1,841	3271941	2,454	3265217
125 KME 300 DD	125	300	-	-	1,979	3271942	2,639	3265218
125 KME 400 DD	125	400	-	-	2,119	3271943	2,825	3265219
125 KME 500 DD	125	500	-	-	2,257	3271944	3,010	3265220
125 KME 600 DD	125	600	-	-	2,397	3271945	3,196	3265221
150 KME 200 DD	150	200	-	-	2,193	3271946	2,924	3265222
150 KME 300 DD	150	300	-	-	2,331	3271947	3,109	3265223
150 KME 400 DD	150	400	-	-	2,471	3271948	3,295	3265224
150 KME 500 DD	150	500	-	-	2,609	3271949	3,479	3265225
150 KME 600 DD	150	600	-	-	2,749	3271950	3,665	3265226



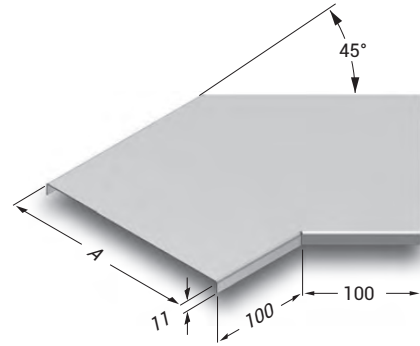
- Please contact your representative for inquiries regarding stainless steel alternatives.
- Please indicate product code in your orders.
- Please contact us for special dimensions.
- Material weights may vary by ± 10%

- All dimensions are given as in mm
- PG= Pre-Galvanized
- HDG= Hot Dip Galvanized

►► KME BEND COVER

► KME Horizontal Degree Bend Cover R=50 Hot Dip Galvanized (TS EN ISO 1461)

Description	A (mm)	T=1,2		T=1,5		T=2	
		Weight (kg/pcs)	HDG Code	Weight (kg/pcs)	HDG Code	Weight (kg/pcs)	HDG Code
KME 100 YD COVER	100	0,160	3273700	0,201	3273634	0,273	3265031
KME 200 YD COVER	200	0,384	3273702	0,483	3273636	0,651	3265033
KME 300 YD COVER	300	0,695	3273704	0,872	3273638	1,172	3265035
KME 400 YD COVER	400	1,091	3273705	1,370	3273639	1,835	3265036
KME 500 YD COVER	500	1,574	3273706	1,973	3273640	2,642	3265037
KME 600 YD COVER	600	2,142	3273707	2,684	3273641	3,592	3265038



► KME Horizontal Degree Bend (90°) R=50

Hot Dip Galvanized (TS EN ISO 1461)

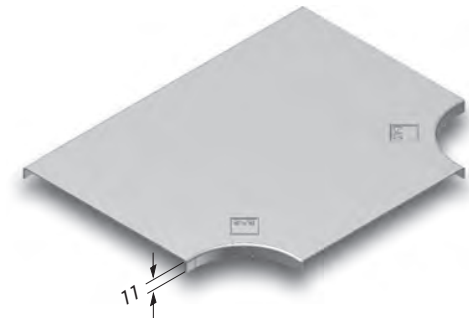
Description	AB (mm)	T=1,2		T=1,5		T=2	
		Weight (kg/pcs)	HDG Code	Weight (kg/pcs)	HDG Code	Weight (kg/pcs)	HDG Code
KME 100 YD COVER	100	0,285	3000463	0,356	3273815	0,477	3265390
KME 200 YD COVER	200	0,745	3000465	0,932	3273817	1,244	3265392
KME 300 YD COVER	300	1,412	3273753	1,767	3000467	2,357	3265394
KME 400 YD COVER	400	2,287	3273754	2,860	3000468	3,816	3265395
KME 500 YD COVER	500	3,368	3273755	4,212	3000469	5,620	3265396
KME 600 YD COVER	600	4,657	3273756	5,823	3273819	7,768	3265397



► KME "T" Bend Cover R=50

Hot Dip Galvanized (TS EN ISO 1461)

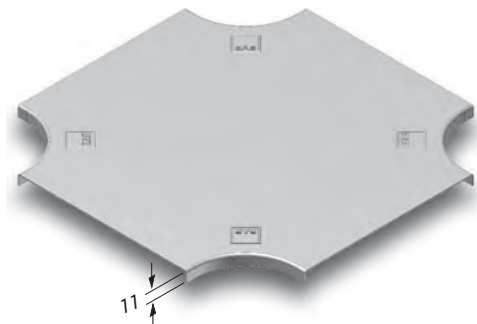
Description	ABC (mm)	T=1,2		T=1,5		T=2	
		Weight (kg/pcs)	HDG Code	Weight (kg/pcs)	HDG Code	Weight (kg/pcs)	HDG Code
KME 100 YT COVER	100	0,354	3000472	0,442	3274256	0,589	3265494
KME 200 YT COVER	200	0,865	3000474	1,080	3274258	1,439	3265496
KME 300 YT COVER	300	1,582	3274196	1,977	3000476	2,633	3265498
KME 400 YT COVER	400	2,512	3274197	3,139	3000477	4,183	3265499
KME 500 YT COVER	500	3,652	3274198	4,564	3000478	6,082	3265500
KME 600 YT COVER	600	4,994	3274199	6,241	3274260	8,317	3265501



► KME Cross Over Bend Cover R=50

Hot Dip Galvanized (TS EN ISO 1461)

Description	ABCD (mm)	T=1,2		T=1,5		T=2	
		Weight (kg/pcs)	HDG Code	Weight (kg/pcs)	HDG Code	Weight (kg/pcs)	HDG Code
KME 100 AD COVER	100	0,422	3000481	0,528	3272383	0,704	3265597
KME 200 AD COVER	200	0,981	3000483	1,227	3272385	1,637	3265599
KME 300 AD COVER	300	1,748	3272336	2,186	3000485	2,914	3265601
KME 400 AD COVER	400	2,723	3272337	3,403	3000486	4,538	3265602
KME 500 AD COVER	500	3,904	3272338	4,880	3000487	5,715	3265603
KME 600 AD COVER	600	5,292	3272339	6,615	3272387	8,821	3265604



- Please contact your representative for inquiries regarding stainless steel alternatives.
- Please indicate product code in your orders.
- Please contact us for special dimensions.
- Material weights may vary by ± 10%

- All dimensions are given as in mm
- PG= Pre-Galvanized
- HDG= Hot Dip Galvanized

►► KME BEND COVER

► KME Vertical Outside Bend (90°)

Hot Dip Galvanized (TS EN ISO 1461)

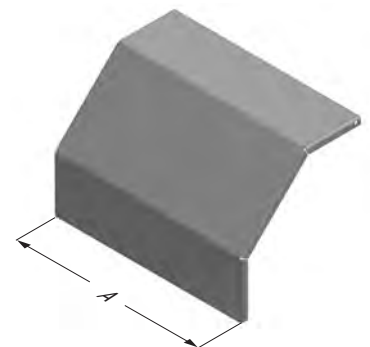
Description	H (mm)	A (mm)	T=1,2		T=1,5		T=2	
			Weight (kg/pcs)	HDG Code	Weight (kg/pcs)	HDG Code	Weight (kg/pcs)	HDG Code
40 KME 100 DD	40	100	0,207	3273018	0,259	3272908	0,345	3265134
40 KME 200 DD	40	200	0,375	3273020	0,469	3272910	0,626	3265136
40 KME 300 DD	40	300	0,543	3273022	0,680	3272912	0,908	3265138
40 KME 400 DD	40	400	0,712	3273023	0,890	3272913	1,188	3265139
40 KME 500 DD	40	500	0,880	3273024	1,100	3272914	1,469	3265140
40 KME 600 DD	40	600	1,045	3273025	1,308	3272915	1,746	3265141
50 KME 100 DD	50	100	0,227	3273027	0,284	3272917	0,381	3265143
50 KME 200 DD	50	200	0,413	3273029	0,515	3272919	0,688	3265145
50 KME 300 DD	50	300	0,597	3273031	0,746	3272921	0,997	3265147
50 KME 400 DD	50	400	0,782	3273032	0,978	3272922	1,305	3265148
50 KME 500 DD	50	500	0,967	3273033	1,209	3272923	1,613	3265149
50 KME 600 DD	50	600	1,148	3273034	1,437	3272924	1,917	3265150
60 KME 100 DD	60	100	0,248	3273035	0,310	3272925	0,414	3265151
60 KME 200 DD	60	200	0,449	3273037	0,562	3272927	0,749	3265153
60 KME 300 DD	60	300	0,650	3273039	0,814	3272929	1,086	3265155
60 KME 400 DD	60	400	0,853	3273040	1,065	3272930	1,421	3265156
60 KME 500 DD	60	500	1,054	3273041	1,317	3272931	1,757	3265157
60 KME 600 DD	60	600	1,252	3273042	1,565	3272932	2,089	3265158
75 KME 100 DD	75	100	0,278	3273043	0,349	3272933	0,465	3265159
75 KME 200 DD	75	200	0,505	3273045	0,631	3272935	0,842	3265161
75 KME 300 DD	75	300	0,732	3273047	0,914	3272937	1,219	3265163
75 KME 400 DD	75	400	0,958	3273048	1,197	3272938	1,595	3265164
75 KME 500 DD	75	500	1,184	3273049	1,480	3272939	1,972	3265165
75 KME 600 DD	75	600	1,407	3273050	1,759	3272940	2,345	3265166
100 KME 200 DD	100	200	0,597	3273053	0,747	3272943	0,997	3265169
100 KME 300 DD	100	300	0,866	3273055	1,081	3272945	1,442	3265171
100 KME 400 DD	100	400	1,133	3273056	1,416	3272946	1,888	3265172
100 KME 500 DD	100	500	1,401	3273057	1,751	3272947	2,333	3265173
100 KME 600 DD	100	600	1,665	3273058	2,080	3272948	2,774	3265174

H40
H50
H60
H75
H100



Description	H (mm)	A (mm)	T=1,2		T=1,5		T=2	
			Weight (kg/pcs)	HDG Code	Weight (kg/pcs)	HDG Code	Weight (kg/pcs)	HDG Code
125 KME DD R50-200	125	200	0,691	3273060	0,961	3272950	1,282	3265176
125 KME DD R50-300	125	300	1,000	3273062	1,389	3272952	1,852	3265178
125 KME DD R50-400	125	400	1,309	3273063	1,817	3272953	2,422	3265179
125 KME DD R50-500	125	500	1,619	3273064	2,245	3272954	2,993	3265180
125 KME DD R50-600	125	600	1,923	3273065	2,673	3272955	3,564	3265181
150 KME DD R50-200	150	200	0,783	3273066	1,082	3272956	1,442	3265182
150 KME DD R50-300	150	300	1,134	3273068	1,563	3272958	2,085	3265184
150 KME DD R50-400	150	400	1,485	3273069	2,045	3272959	2,727	3265185
150 KME DD R50-500	150	500	1,836	3273070	2,527	3272960	3,369	3265186
150 KME DD R50-600	150	600	2,181	3273071	3,009	3272961	4,012	3265187

H125
H150



■ Please contact your representative for inquiries regarding stainless steel alternatives.

■ Please indicate product code in your orders.

■ Please contact us for special dimensions.

■ Material weights may vary by $\pm 10\%$

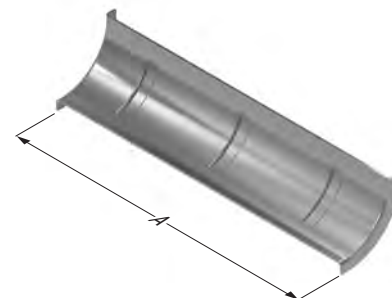
■ All dimensions are given as in mm

■ PG= Pre-Galvanized

■ HDG= Hot Dip Galvanized

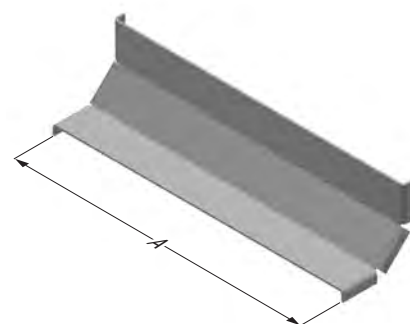
Description	A (mm)	T=1,2		T=1,5		T=2	
		Weight (kg/pcs)	HDG Code	Weight (kg/pcs)	HDG Code	Weight (kg/pcs)	HDG Code
KME 100 ID COVER	100	0,112	3273197	0,140	3273133	0,185	3265266
KME 200 ID COVER	200	0,200	3273199	0,250	3273135	0,331	3265267
KME 300 ID COVER	300	0,289	3273201	0,360	3273137	0,477	3265268
KME 400 ID COVER	400	0,377	3273202	0,471	3273138	0,624	3265269
KME 500 ID COVER	500	0,466	3273203	0,581	3273139	0,770	3265270
KME 600 ID COVER	600	0,556	3273204	0,691	3273140	0,916	3265271

H40
H50
H60
H75
H100



Description	A (mm)	T=1,2		T=1,5		T=2	
		Weight (kg/pcs)	HDG Code	Weight (kg/pcs)	HDG Code	Weight (kg/pcs)	HDG Code
125-150 KME 200 ID COVER	200	-	-	0,332	3305487	0,442	3265273
125-150 KME 300 ID COVER	300	-	-	0,479	3305489	0,639	3265275
125-150 KME 400 ID COVER	400	-	-	0,628	3305490	0,837	3265276
125-150 KME 500 ID COVER	500	-	-	0,776	3305491	1,034	3265277
125-150 KME 600 ID COVER	600	-	-	0,924	3305492	1,232	3265278

H125
H150



- Please contact your representative for inquiries regarding stainless steel alternatives.
- Please indicate product code in your orders.
- Please contact us for special dimensions.
- Material weights may vary by ± 10%

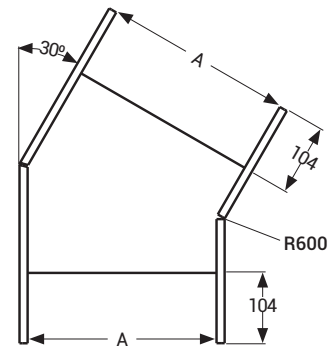
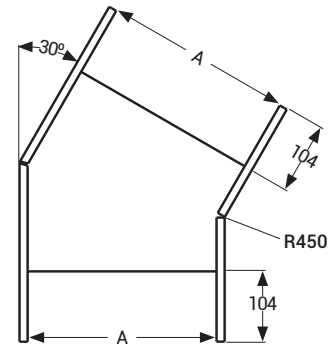
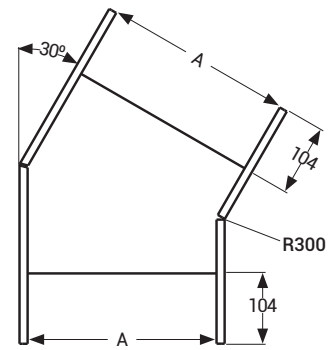
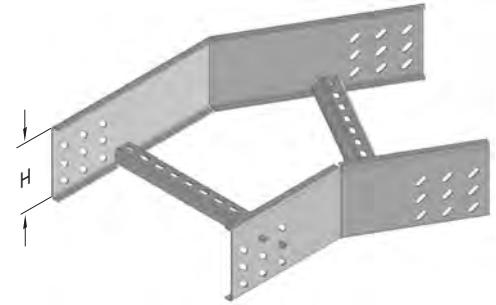
- All dimensions are given as in mm
- PG= Pre-Galvanized
- HDG= Hot Dip Galvanized

►► BENDS

► KME Horizontal Degree Bend (30°) (R300, R450, R600)

Hot Dip Galvanized (TS EN ISO 1461)

Description	H (mm)	A (mm)	T (mm)	R=300		R=450		R=600	
				Weight (kg/pcs)	HDG Code	Weight (kg/pcs)	HDG Code	Weight (kg/pcs)	HDG Code
040 KME 100 YD	40	100	2	1,012	3294303	1,186	3294342	1,359	3294381
040 KME 200 YD	40	200	2	1,255	3294304	1,429	3294343	1,602	3294382
040 KME 300 YD	40	300	2	1,498	3294305	1,672	3294344	2,133	3294383
040 KME 400 YD	40	400	2	1,741	3294306	2,296	3294345	2,468	3294384
040 KME 500 YD	40	500	2	1,984	3294307	2,644	3294346	2,809	3294385
040 KME 600 YD	40	600	2	2,228	3294308	2,980	3294347	3,150	3294386
050 KME 100 YD	50	100	2	1,150	3294309	1,351	3294348	1,551	3294387
050 KME 200 YD	50	200	2	1,401	3294310	1,603	3294349	1,804	3294388
050 KME 300 YD	50	300	2	1,654	3294311	2,156	3294350	2,344	3294389
050 KME 400 YD	50	400	2	1,906	3294312	2,501	3294351	2,690	3294390
050 KME 500 YD	50	500	2	2,158	3294313	2,847	3294352	3,039	3294391
050 KME 600 YD	50	600	2	2,411	3294314	3,191	3294353	3,389	3294392
060 KME 100 YD	60	100	2	1,286	3294315	1,515	3294354	1,744	3294393
060 KME 200 YD	60	200	2	1,548	3294316	1,777	3294355	2,005	3294394
060 KME 300 YD	60	300	2	1,810	3294317	2,340	3294356	2,555	3294395
060 KME 400 YD	60	400	2	2,071	3294318	2,694	3294357	2,910	3294396
060 KME 500 YD	60	500	2	2,333	3294319	3,048	3294358	3,269	3294397
060 KME 600 YD	60	600	2	2,595	3294320	3,402	3294359	3,628	3294398
075 KME 100 YD	75	100	2	1,469	3294321	1,739	3294360	2,010	3294399
075 KME 200 YD	75	200	2	1,745	3294322	2,015	3294361	2,286	3294400
075 KME 300 YD	75	300	2	2,020	3294323	2,592	3294362	2,849	3294401
075 KME 400 YD	75	400	2	2,296	3294324	2,960	3294363	3,216	3294402
075 KME 500 YD	75	500	2	2,571	3294325	3,328	3294364	3,590	3294403
075 KME 600 YD	75	600	2	2,847	3294326	3,696	3294365	3,963	3294404
100 KME 200 YD	100	200	2	2,087	3294327	2,427	3294366	2,767	3294405
100 KME 300 YD	100	300	2	2,386	3294328	3,027	3294367	3,354	3294406
100 KME 400 YD	100	400	2	2,684	3294329	3,418	3294368	3,744	3294407
100 KME 500 YD	100	500	2	2,983	3294330	3,809	3294369	4,142	3294408
100 KME 600 YD	100	600	2	3,281	3294331	4,201	3294370	4,538	3294409
125 KME 200 YD	125	200	2	2,430	3294332	2,839	3294371	3,248	3294410
125 KME 300 YD	125	300	2	2,751	3294333	3,462	3294372	3,858	3294411
125 KME 400 YD	125	400	2	3,073	3294334	3,876	3294373	4,272	3294412
125 KME 500 YD	125	500	2	3,395	3294335	4,291	3294374	4,692	3294413
125 KME 600 YD	125	600	2	3,717	3294336	4,706	3294375	5,112	3294414
150 KME 200 YD	150	200	2	2,772	3294337	3,252	3294376	3,730	3294415
150 KME 300 YD	150	300	2	3,117	3294338	3,897	3294377	4,363	3294416
150 KME 400 YD	150	400	2	3,462	3294339	4,335	3294378	4,800	3294417
150 KME 500 YD	150	500	2	3,807	3294340	4,773	3294379	5,243	3294418
150 KME 600 YD	150	600	2	4,153	3294341	5,210	3294380	5,685	3294419



■ Please contact your representative for inquiries regarding stainless steel alternatives.

■ Please indicate product code in your orders.

■ Please contact us for special dimensions.

■ Material weights may vary by ± 10%

■ All dimensions are given as in mm

■ PG= Pre-Galvanized

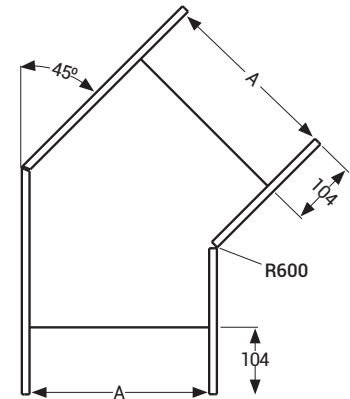
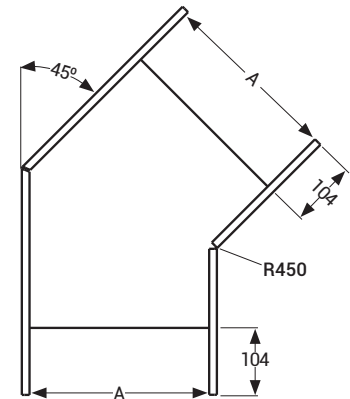
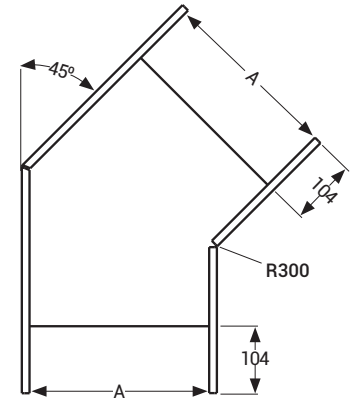
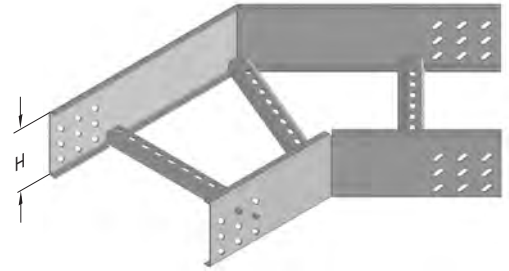
■ HDG= Hot Dip Galvanized

►► BENDS

► KME Horizontal 45° Degree Bend (R300, R450, R600)

Hot Dip Galvanized (TS EN ISO 1461)

Description	H (mm)	A (mm)	T (mm)	R=300		R=450		R=600	
				Weight (kg/pcs)	HDG Code	Weight (kg/pcs)	HDG Code	Weight (kg/pcs)	HDG Code
040 KME 100 YD	40	100	2	1,233	3003724	1,598	3003754	1,867	3003784
040 KME 200 YD	40	200	2	1,708	3003725	1,976	3003755	2,244	3003785
040 KME 300 YD	40	300	2	2,083	3003726	2,352	3003756	2,874	3003786
040 KME 400 YD	40	400	2	2,451	3003727	2,719	3003757	3,334	3003787
040 KME 500 YD	40	500	2	2,827	3003728	3,095	3003758	3,794	3003788
040 KME 600 YD	40	600	2	3,199	3003729	3,996	3003759	4,265	3003789
050 KME 100 YD	50	100	2	1,406	3003730	1,814	3003760	2,125	3003790
050 KME 200 YD	50	200	2	1,895	3003731	2,206	3003761	2,517	3003791
050 KME 300 YD	50	300	2	2,285	3003732	2,596	3003762	3,161	3003792
050 KME 400 YD	50	400	2	2,666	3003733	2,978	3003763	3,636	3003793
050 KME 500 YD	50	500	2	3,057	3003734	3,368	3003764	4,110	3003794
050 KME 600 YD	50	600	2	3,443	3003735	4,283	3003765	4,595	3003795
060 KME 100 YD	60	100	2	1,579	3003736	2,030	3003766	2,384	3003796
060 KME 200 YD	60	200	2	2,082	3003737	2,435	3003767	2,790	3003797
060 KME 300 YD	60	300	2	2,486	3003738	2,840	3003768	3,449	3003798
060 KME 400 YD	60	400	2	2,882	3003739	3,236	3003769	3,937	3003799
060 KME 500 YD	60	500	2	3,287	3003740	3,641	3003770	4,425	3003800
060 KME 600 YD	60	600	2	3,687	3003741	4,571	3003771	4,924	3003801
075 KME 100 YD	75	100	2	1,814	3003742	2,330	3003772	2,748	3003802
075 KME 200 YD	75	200	2	2,339	3003743	2,758	3003773	3,176	3003803
075 KME 300 YD	75	300	2	2,764	3003744	3,183	3003774	3,856	3003804
075 KME 400 YD	75	400	2	3,182	3003745	3,600	3003775	4,366	3003805
075 KME 500 YD	75	500	2	3,609	3003746	4,027	3003776	4,876	3003806
075 KME 600 YD	75	600	2	4,030	3003747	4,978	3003777	5,396	3003807
100 KME 200 YD	100	200	2	2,783	3003749	3,309	3003779	3,835	3003809
100 KME 300 YD	100	300	2	3,245	3003750	3,770	3003780	4,551	3003810
100 KME 400 YD	100	400	2	3,698	3003751	4,223	3003781	5,096	3003811
100 KME 500 YD	100	500	2	4,160	3003752	4,686	3003782	5,642	3003812
100 KME 600 YD	100	600	2	4,618	3003753	5,673	3003783	6,197	3003813
125 KME 200 YD	125	200	2	3,227	3000646	3,860	3000656	4,494	3000666
125 KME 300 YD	125	300	2	3,725	3000647	4,357	3000657	5,245	3000667
125 KME 400 YD	125	400	2	4,214	3000648	4,847	3000658	5,827	3000668
125 KME 500 YD	125	500	2	4,711	3000649	5,345	3000659	6,409	3000669
125 KME 600 YD	125	600	2	5,205	3000650	6,367	3000660	6,999	3000670
150 KME 200 YD	150	200	2	3,672	3000651	4,412	3000661	5,151	3000671
150 KME 300 YD	150	300	2	4,204	3000652	4,945	3000662	5,940	3000672
150 KME 400 YD	150	400	2	4,729	3000653	5,469	3000663	6,557	3000673
150 KME 500 YD	150	500	2	5,264	3000654	6,004	3000664	7,174	3000674
150 KME 600 YD	150	600	2	5,793	3000655	7,062	3000665	7,801	3000675



KM

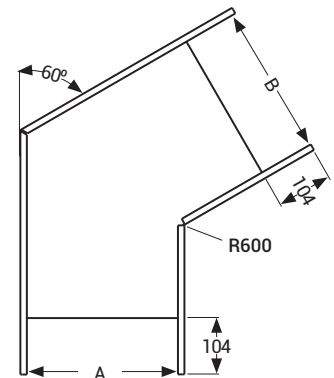
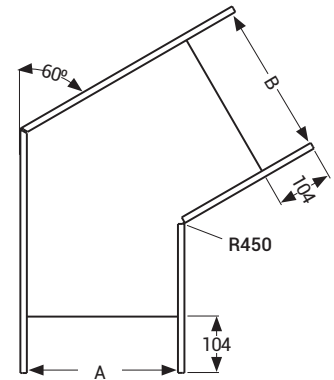
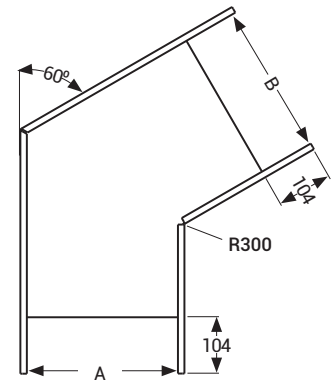
- Please contact your representative for inquiries regarding stainless steel alternatives.
- Please indicate product code in your orders.
- Please contact us for special dimensions.
- Material weights may vary by ± 10%

- All dimensions are given as in mm
- PG= Pre-Galvanized
- HDG= Hot Dip Galvanized

►► BENDS

► KME Horizontal Degree Bend (60°) (R300, R450, R600) Hot Dip Galvanized (TS EN ISO 1461)

Description	H (mm)	A (mm)	T (mm)	R=300		R=450		R=600	
				Weight (kg/pcs)	HDG Code	Weight (kg/pcs)	HDG Code	Weight (kg/pcs)	HDG Code
040 KME 100 YD	40	100	2	1,572	3294420	2,038	3294459	2,411	3294498
040 KME 200 YD	40	200	2	1,975	3294421	2,533	3294460	2,907	3294499
040 KME 300 YD	40	300	2	2,400	3294422	3,028	3294461	3,402	3294500
040 KME 400 YD	40	400	2	3,197	3294423	3,523	3294462	3,897	3294501
040 KME 500 YD	40	500	2	3,692	3294424	4,019	3294463	4,392	3294502
040 KME 600 YD	40	600	2	4,187	3294425	4,514	3294464	5,526	3294503
050 KME 100 YD	50	100	2	1,784	3294426	2,310	3294465	2,743	3294504
050 KME 200 YD	50	200	2	2,207	3294427	2,825	3294466	3,258	3294505
050 KME 300 YD	50	300	2	2,652	3294428	3,341	3294467	3,774	3294506
050 KME 400 YD	50	400	2	3,468	3294429	3,856	3294468	4,289	3294507
050 KME 500 YD	50	500	2	3,984	3294430	4,370	3294469	4,804	3294508
050 KME 600 YD	50	600	2	4,499	3294431	4,886	3294470	5,958	3294509
060 KME 100 YD	60	100	2	1,997	3294432	2,583	3294471	3,076	3294510
060 KME 200 YD	60	200	2	2,439	3294433	3,117	3294472	3,610	3294511
060 KME 300 YD	60	300	2	2,904	3294434	3,652	3294473	4,146	3294512
060 KME 400 YD	60	400	2	3,741	3294435	4,188	3294474	4,681	3294513
060 KME 500 YD	60	500	2	4,276	3294436	4,722	3294475	5,215	3294514
060 KME 600 YD	60	600	2	4,810	3294437	5,258	3294476	6,390	3294515
075 KME 100 YD	75	100	2	2,291	3294438	2,968	3294477	3,550	3294516
075 KME 200 YD	75	200	2	2,764	3294439	3,532	3294478	4,115	3294517
075 KME 300 YD	75	300	2	3,259	3294440	4,098	3294479	4,681	3294518
075 KME 400 YD	75	400	2	4,126	3294441	4,662	3294480	5,245	3294519
075 KME 500 YD	75	500	2	4,690	3294442	5,227	3294481	5,810	3294520
075 KME 600 YD	75	600	2	5,256	3294443	5,793	3294482	7,014	3294521
100 KME 200 YD	100	200	2	3,322	3294444	4,239	3294483	4,972	3294522
100 KME 300 YD	100	300	2	4,168	3294445	4,854	3294484	5,587	3294523
100 KME 400 YD	100	400	2	4,783	3294446	5,469	3294485	6,202	3294524
100 KME 500 YD	100	500	2	5,398	3294447	6,084	3294486	6,816	3294525
100 KME 600 YD	100	600	2	6,013	3294448	6,699	3294487	8,070	3294526
125 KME 200 YD	125	200	2	3,879	3294449	4,946	3294488	5,828	3294527
125 KME 300 YD	125	300	2	4,775	3294450	5,611	3294489	6,493	3294528
125 KME 400 YD	125	400	2	5,440	3294451	6,276	3294490	7,158	3294529
125 KME 500 YD	125	500	2	6,105	3294452	6,940	3294491	7,822	3294530
125 KME 600 YD	125	600	2	6,769	3294453	7,604	3294492	9,126	3294531
150 KME 200 YD	150	200	2	4,436	3294454	5,653	3294493	6,685	3294532
150 KME 300 YD	150	300	2	5,382	3294455	6,368	3294494	7,399	3294533
150 KME 400 YD	150	400	2	6,097	3294456	7,082	3294495	8,114	3294534
150 KME 500 YD	150	500	2	6,811	3294457	7,797	3294496	8,829	3294535
150 KME 600 YD	150	600	2	7,526	3294458	8,511	3294497	10,182	3294536



- Please contact your representative for inquiries regarding stainless steel alternatives.
- Please indicate product code in your orders.
- Please contact us for special dimensions.
- Material weights may vary by ± 10%

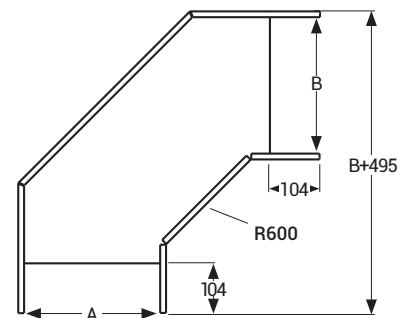
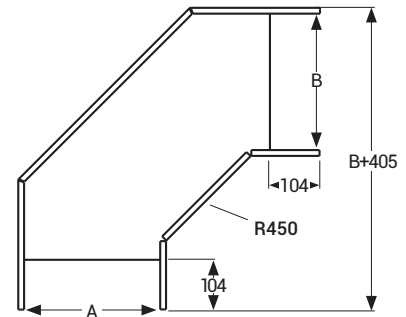
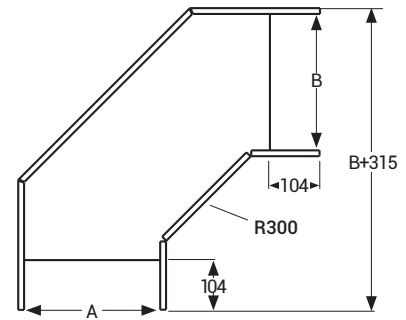
- All dimensions are given as in mm
- PG= Pre-Galvanized
- HDG= Hot Dip Galvanized

►► BENDS

► KME Horizontal Degree Bend (90°) (R300, R450, R600)

Hot Dip Galvanized (TS EN ISO 1461)

Description	H (mm)	AB (mm)	T (mm)	R=300		R=450		R=600	
				Weight (kg/pcs)	HDG Code	Weight (kg/pcs)	HDG Code	Weight (kg/pcs)	HDG Code
040 KME 100 YD	40	100	2	1,575	3003814	1,843	3003844	2,111	3003874
040 KME 200 YD	40	200	2	2,032	3003815	2,299	3003845	2,752	3003875
040 KME 300 YD	40	300	2	2,488	3003816	3,034	3003846	3,302	3003876
040 KME 400 YD	40	400	2	3,315	3003817	3,604	3003847	4,222	3003877
040 KME 500 YD	40	500	2	3,864	3003818	4,626	3003848	4,894	3003878
040 KME 600 YD	40	600	2	5,044	3003819	5,278	3003849	5,553	3003879
050 KME 100 YD	50	100	2	1,788	3003820	2,099	3003850	2,409	3003880
050 KME 200 YD	50	200	2	2,273	3003821	2,584	3003851	3,080	3003881
050 KME 300 YD	50	300	2	2,758	3003822	3,347	3003852	3,658	3003882
050 KME 400 YD	50	400	2	3,661	3003823	3,945	3003853	4,607	3003883
050 KME 500 YD	50	500	2	4,257	3003824	4,996	3003854	5,306	3003884
050 KME 600 YD	50	600	2	5,419	3003825	5,676	3003855	5,994	3003885
060 KME 100 YD	60	100	2	2,001	3003826	2,354	3003856	2,708	3003886
060 KME 200 YD	60	200	2	2,515	3003827	2,868	3003857	3,407	3003887
060 KME 300 YD	60	300	2	3,028	3003828	3,660	3003858	4,014	3003888
060 KME 400 YD	60	400	2	3,959	3003829	4,287	3003859	4,991	3003889
060 KME 500 YD	60	500	2	4,584	3003830	5,366	3003860	5,720	3003890
060 KME 600 YD	60	600	2	5,774	3003831	6,075	3003861	6,436	3003891
075 KME 100 YD	75	100	2	2,297	3003832	2,715	3003862	3,133	3003892
075 KME 200 YD	75	200	2	2,853	3003833	3,271	3003863	3,875	3003893
075 KME 300 YD	75	300	2	3,411	3003834	4,106	3003864	4,525	3003894
075 KME 400 YD	75	400	2	4,385	3003835	4,776	3003865	5,545	3003895
075 KME 500 YD	75	500	2	5,052	3003836	5,898	3003866	6,317	3003896
075 KME 600 YD	75	600	2	6,285	3003837	6,651	3003867	7,075	3003897
100 KME 200 YD	100	200	2	3,434	3003839	3,960	3003869	4,671	3003899
100 KME 300 YD	100	300	2	4,063	3003840	4,866	3003870	5,392	3003900
100 KME 400 YD	100	400	2	5,108	3003841	5,608	3003871	6,483	3003901
100 KME 500 YD	100	500	2	5,848	3003842	6,801	3003872	7,327	3003902
100 KME 600 YD	100	600	2	7,152	3003843	7,625	3003873	8,158	3003903
125 KME 200 YD	125	200	2	4,016	3000676	4,649	3000686	5,467	3000696
125 KME 300 YD	125	300	2	4,716	3000677	5,627	3000687	6,259	3000697
125 KME 400 YD	125	400	2	5,832	3000678	6,438	3000688	7,422	3000698
125 KME 500 YD	125	500	2	6,643	3000679	7,704	3000689	8,337	3000699
125 KME 600 YD	125	600	2	8,020	3000680	8,600	3000690	9,239	3000700
150 KME 200 YD	150	200	2	4,597	3000681	5,336	3000691	6,262	3000701
150 KME 300 YD	150	300	2	5,368	3000682	6,386	3000692	7,126	3000702
150 KME 400 YD	150	400	2	6,556	3000683	7,270	3000693	8,361	3000703
150 KME 500 YD	150	500	2	7,439	3000684	8,608	3000694	9,347	3000704
150 KME 600 YD	150	600	2	8,887	3000685	9,573	3000695	10,320	3000705



KM

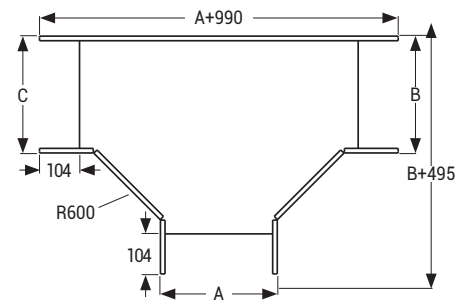
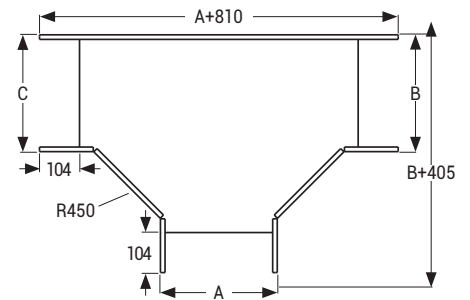
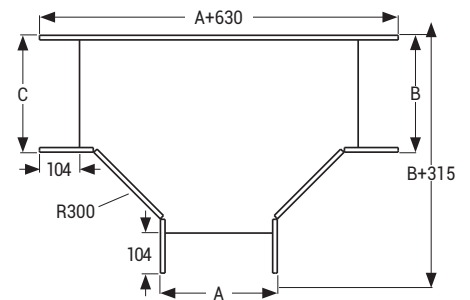
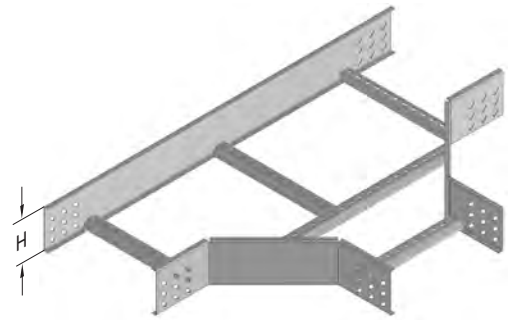
- Please contact your representative for inquiries regarding stainless steel alternatives.
- Please indicate product code in your orders.
- Please contact us for special dimensions.
- Material weights may vary by ± 10%

- All dimensions are given as in mm
- PG= Pre-Galvanized
- HDG= Hot Dip Galvanized

►► BENDS

► KME YT Tee Bend (R300, R450, R600)
Hot Dip Galvanized (TS EN ISO 1461)

Description	H (mm)	ABC (mm)	T (mm)	R=300		R=450		R=600	
				Weight (kg/pcs)	HDG Code	Weight (kg/pcs)	HDG Code	Weight (kg/pcs)	HDG Code
040 KME 100 YT	40	100	2	2,659	3003904	3,279	3003934	3,992	3003964
040 KME 200 YT	40	200	2	3,230	3003905	3,850	3003935	4,656	3003965
040 KME 300 YT	40	300	2	3,801	3003906	4,699	3003936	5,319	3003966
040 KME 400 YT	40	400	2	4,373	3003907	5,364	3003937	5,982	3003967
040 KME 500 YT	40	500	2	5,407	3003908	6,027	3003938	7,109	3003968
040 KME 600 YT	40	600	2	6,071	3003909	6,691	3003939	7,866	3003969
050 KME 100 YT	50	100	2	2,970	3003910	3,663	3003940	4,450	3003970
050 KME 200 YT	50	200	2	3,557	3003911	4,252	3003941	5,130	3003971
050 KME 300 YT	50	300	2	4,145	3003912	5,118	3003942	5,809	3003972
050 KME 400 YT	50	400	2	4,734	3003913	5,799	3003943	6,491	3003973
050 KME 500 YT	50	500	2	5,787	3003914	6,480	3003944	7,635	3003974
050 KME 600 YT	50	600	2	6,468	3003915	7,161	3003945	8,408	3003975
060 KME 100 YT	60	100	2	3,280	3003916	4,047	3003946	4,906	3003976
060 KME 200 YT	60	200	2	3,885	3003917	4,652	3003947	5,605	3003977
060 KME 300 YT	60	300	2	4,490	3003918	5,536	3003948	6,301	3003978
060 KME 400 YT	60	400	2	5,097	3003919	6,235	3003949	6,999	3003979
060 KME 500 YT	60	500	2	6,167	3003920	6,933	3003950	8,161	3003980
060 KME 600 YT	60	600	2	6,864	3003921	7,620	3003951	8,952	3003981
075 KME 100 YT	75	100	2	3,711	3003922	4,588	3003952	5,558	3003982
075 KME 200 YT	75	200	2	4,343	3003923	5,221	3003953	6,282	3003983
075 KME 300 YT	75	300	2	4,974	3003924	6,130	3003954	7,005	3003984
075 KME 400 YT	75	400	2	5,607	3003925	6,854	3003955	7,729	3003985
075 KME 500 YT	75	500	2	6,701	3003926	7,578	3003956	8,917	3003986
075 KME 600 YT	75	600	2	7,426	3003927	8,292	3003957	9,734	3003987
100 KME 200 YT	100	200	2	5,128	3003929	6,189	3003959	7,434	3003989
100 KME 300 YT	100	300	2	5,803	3003930	7,142	3003960	8,199	3003990
100 KME 400 YT	100	400	2	6,479	3003931	7,909	3003961	8,967	3003991
100 KME 500 YT	100	500	2	7,616	3003932	8,677	3003962	10,198	3003992
100 KME 600 YT	100	600	2	8,384	3003933	9,445	3003963	11,058	3003993
125 KME 200 YT	125	200	2	5,915	3000706	7,158	3000716	8,587	3000726
125 KME 300 YT	125	300	2	6,632	3000707	8,153	3000717	9,395	3000727
125 KME 400 YT	125	400	2	7,350	3000708	8,964	3000718	10,206	3000728
125 KME 500 YT	125	500	2	8,532	3000709	9,775	3000719	11,480	3000729
125 KME 600 YT	125	600	2	9,342	3000710	10,585	3000720	12,383	3000730
150 KME 200 YT	150	200	2	6,700	3000711	8,127	3000721	9,738	3000731
150 KME 300 YT	150	300	2	7,460	3000712	9,165	3000722	10,590	3000732
150 KME 400 YT	150	400	2	8,223	3000713	10,020	3000723	11,444	3000733
150 KME 500 YT	150	500	2	9,447	3000714	10,874	3000724	12,761	3000734
150 KME 600 YT	150	600	2	10,300	3000715	11,727	3000725	13,707	3000735



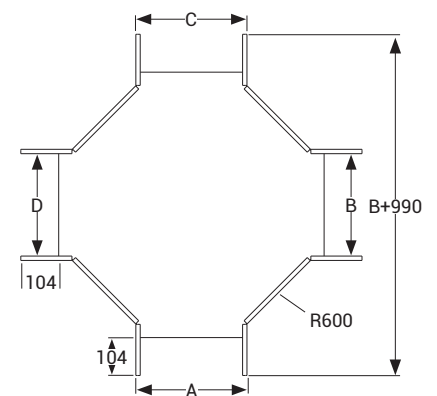
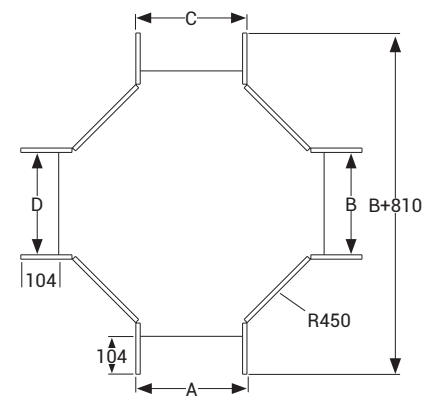
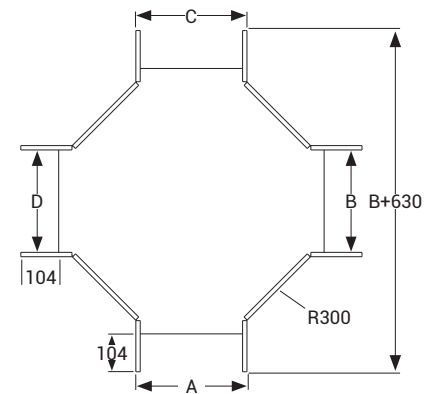
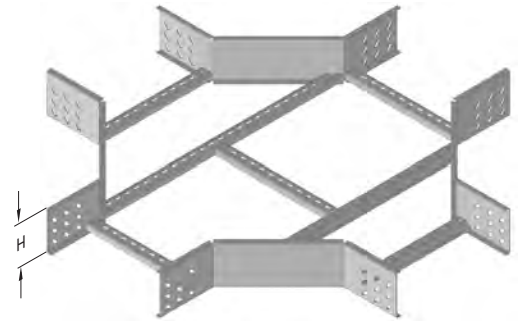
- Please contact your representative for inquiries regarding stainless steel alternatives.
- Please indicate product code in your orders.
- Please contact us for special dimensions.
- Material weights may vary by ± 10%

- All dimensions are given as in mm
- PG= Pre-Galvanized
- HDG= Hot Dip Galvanized

►►BENDS

►KME Cross Over Bend (R300, R450, R600)
Hot Dip Galvanized (TS EN ISO 1461)

Description	H (mm)	ABCD (mm)	T (mm)	R=300		R=450		R=600	
				Weight (kg/pcs)	HDG Code	Weight (kg/pcs)	HDG Code	Weight (kg/pcs)	HDG Code
040 KME 100 AD	40	100	2	3,484	3003994	4,666	3004024	5,206	3004054
040 KME 200 AD	40	200	2	4,133	3003995	5,000	3004025	6,040	3004055
040 KME 300 AD	40	300	2	4,782	3003996	5,640	3004026	6,782	3004056
040 KME 400 AD	40	400	2	5,431	3003997	6,658	3004027	7,523	3004057
040 KME 500 AD	40	500	2	6,543	3003998	7,400	3004028	8,264	3004058
040 KME 600 AD	40	600	2	7,284	3003999	8,141	3004029	9,562	3004059
050 KME 100 AD	50	100	2	3,851	3004000	4,796	3004030	5,744	3004060
050 KME 200 AD	50	200	2	4,499	3004001	5,452	3004031	6,579	3004061
050 KME 300 AD	50	300	2	5,148	3004002	6,092	3004032	7,321	3004062
050 KME 400 AD	50	400	2	5,797	3004003	7,112	3004033	8,061	3004063
050 KME 500 AD	50	500	2	6,909	3004004	7,853	3004034	8,802	3004064
050 KME 600 AD	50	600	2	7,651	3004005	8,594	3004035	10,100	3004065
060 KME 100 AD	60	100	2	4,217	3004006	5,248	3004036	6,283	3004066
060 KME 200 AD	60	200	2	4,866	3004007	5,904	3004037	7,117	3004067
060 KME 300 AD	60	300	2	5,514	3004008	6,544	3004038	7,858	3004068
060 KME 400 AD	60	400	2	6,163	3004009	7,564	3004039	8,600	3004069
060 KME 500 AD	60	500	2	7,275	3004010	8,305	3004040	9,341	3004070
060 KME 600 AD	60	600	2	8,017	3004011	9,046	3004041	10,638	3004071
075 KME 100 AD	75	100	2	4,722	3004012	5,882	3004042	7,046	3004072
075 KME 200 AD	75	200	2	5,371	3004013	6,537	3004043	7,879	3004073
075 KME 300 AD	75	300	2	6,019	3004014	7,178	3004044	8,621	3004074
075 KME 400 AD	75	400	2	6,668	3004015	8,197	3004045	9,362	3004075
075 KME 500 AD	75	500	2	7,780	3004016	8,939	3004046	10,104	3004076
075 KME 600 AD	75	600	2	8,522	3004017	9,680	3004047	11,400	3004077
100 KME 200 AD	100	200	2	6,243	3004019	7,624	3004049	9,180	3004079
100 KME 300 AD	100	300	2	6,892	3004020	8,263	3004050	9,921	3004080
100 KME 400 AD	100	400	2	7,539	3004021	9,283	3004051	10,662	3004081
100 KME 500 AD	100	500	2	8,652	3004022	10,024	3004052	11,404	3004082
100 KME 600 AD	100	600	2	9,393	3004023	10,766	3004053	12,702	3004083
125 KME 200 AD	125	200	2	7,114	3000928	8,710	3000938	10,481	3000948
125 KME 300 AD	125	300	2	7,763	3000929	9,350	3000939	11,222	3000949
125 KME 400 AD	125	400	2	8,411	3000930	10,369	3000940	11,964	3000950
125 KME 500 AD	125	500	2	9,523	3000931	11,110	3000941	12,705	3000951
125 KME 600 AD	125	600	2	10,264	3000932	11,851	3000942	14,002	3000952
150 KME 200 AD	150	200	2	7,985	3000933	9,796	3000943	11,781	3000953
150 KME 300 AD	150	300	2	8,634	3000934	10,436	3000944	12,522	3000954
150 KME 400 AD	150	400	2	9,283	3000935	11,455	3000945	13,264	3000955
150 KME 500 AD	150	500	2	10,395	3000936	12,197	3000946	14,005	3000956
150 KME 600 AD	150	600	2	11,136	3000937	12,938	3000947	15,302	3000957



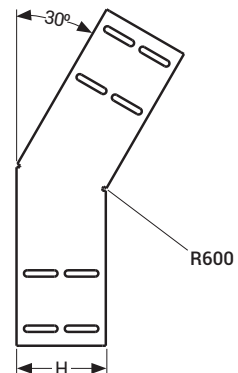
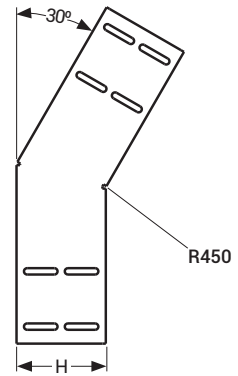
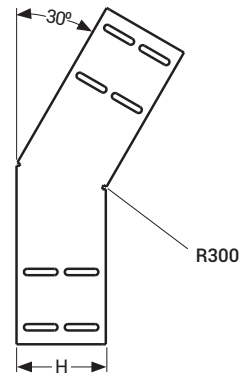
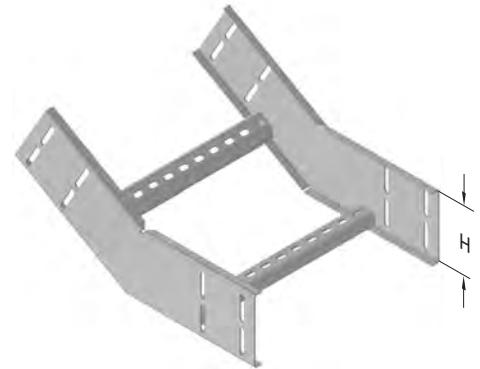
- Please contact your representative for inquiries regarding stainless steel alternatives.
- Please indicate product code in your orders.
- Please contact us for special dimensions.
- Material weights may vary by ± 10%

- All dimensions are given as in mm
- PG= Pre-Galvanized
- HDG= Hot Dip Galvanized

►► BENDS

► KME Vertical Inside Bend (30°) (R300, R450, R600) Hot Dip Galvanized (TS EN ISO 1461)

Description	H (mm)	A (mm)	T (mm)	R=300		R=450		R=600	
				Weight (kg/pcs)	HDG Code	Weight (kg/pcs)	HDG Code	Weight (kg/pcs)	HDG Code
040 KME 100 ID	40	100	2	0,978	3293953	1,151	3293992	1,324	3294031
040 KME 200 ID	40	200	2	1,163	3293954	1,337	3293993	1,509	3294032
040 KME 300 ID	40	300	2	1,349	3293955	1,521	3293994	1,695	3294033
040 KME 400 ID	40	400	2	1,533	3293956	1,707	3293995	1,880	3294034
040 KME 500 ID	40	500	2	1,719	3293957	1,892	3293996	2,066	3294035
040 KME 600 ID	40	600	2	1,904	3293958	2,078	3293997	2,251	3294036
050 KME 100 ID	50	100	2	1,106	3293959	1,306	3293998	1,507	3294037
050 KME 200 ID	50	200	2	1,290	3293960	1,492	3293999	1,693	3294038
050 KME 300 ID	50	300	2	1,476	3293961	1,676	3294000	1,878	3294039
050 KME 400 ID	50	400	2	1,661	3293962	1,862	3294001	2,064	3294040
050 KME 500 ID	50	500	2	1,847	3293963	2,047	3294002	2,248	3294041
050 KME 600 ID	50	600	2	2,032	3293964	2,233	3294003	2,434	3294042
060 KME 100 ID	60	100	2	1,234	3293965	1,463	3294004	1,691	3294043
060 KME 200 ID	60	200	2	1,420	3293966	1,649	3294005	1,878	3294044
060 KME 300 ID	60	300	2	1,605	3293967	1,834	3294006	2,063	3294045
060 KME 400 ID	60	400	2	1,791	3293968	2,020	3294007	2,248	3294046
060 KME 500 ID	60	500	2	1,976	3293969	2,204	3294008	2,433	3294047
060 KME 600 ID	60	600	2	2,162	3293970	2,390	3294009	2,619	3294048
075 KME 100 ID	75	100	2	1,432	3293971	1,703	3294010	1,973	3294049
075 KME 200 ID	75	200	2	1,617	3293972	1,888	3294011	2,158	3294050
075 KME 300 ID	75	300	2	1,803	3293973	2,074	3294012	2,344	3294051
075 KME 400 ID	75	400	2	1,988	3293974	2,258	3294013	2,529	3294052
075 KME 500 ID	75	500	2	2,174	3293975	2,444	3294014	2,715	3294053
075 KME 600 ID	75	600	2	2,358	3293976	2,629	3294015	2,900	3294054
100 KME 200 ID	100	200	2	1,961	3293977	2,301	3294016	2,641	3294055
100 KME 300 ID	100	300	2	2,146	3293978	2,486	3294017	2,826	3294056
100 KME 400 ID	100	400	2	2,332	3293979	2,672	3294018	3,012	3294057
100 KME 500 ID	100	500	2	2,517	3293980	2,857	3294019	3,197	3294058
100 KME 600 ID	100	600	2	2,703	3293981	3,043	3294020	3,383	3294059
125 KME 200 ID	125	200	2	2,322	3293982	2,732	3294021	3,142	3294060
125 KME 300 ID	125	300	2	2,508	3293983	2,917	3294022	3,326	3294061
125 KME 400 ID	125	400	2	2,693	3293984	3,103	3294023	3,512	3294062
125 KME 500 ID	125	500	2	2,879	3293985	3,288	3294024	3,697	3294063
125 KME 600 ID	125	600	2	3,064	3293986	3,474	3294025	3,883	3294064
150 KME 200 ID	150	200	2	2,685	3293987	3,164	3294026	3,643	3294065
150 KME 300 ID	150	300	2	2,871	3293988	3,350	3294027	3,828	3294066
150 KME 400 ID	150	400	2	3,056	3293989	3,534	3294028	4,013	3294067
150 KME 500 ID	150	500	2	3,242	3293990	3,720	3294029	4,199	3294068
150 KME 600 ID	150	600	2	3,427	3293991	3,905	3294030	4,383	3294069



- Please contact your representative for inquiries regarding stainless steel alternatives.
- Please indicate product code in your orders.
- Please contact us for special dimensions.
- Material weights may vary by ± 10%

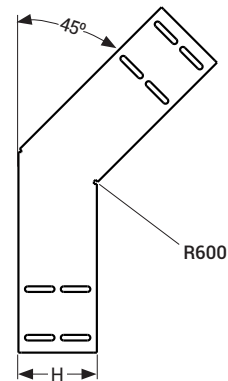
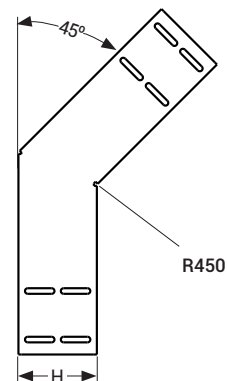
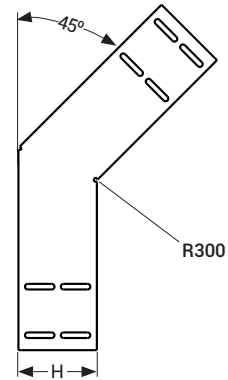
- All dimensions are given as in mm
- PG= Pre-Galvanized
- HDG= Hot Dip Galvanized

►► BENDS

► KME Vertical Inside Bend (45°) (R300, R450, R600)

Hot Dip Galvanized (TS EN ISO 1461)

Description	H (mm)	A (mm)	T (mm)	R=300		R=450		R=600	
				Weight (kg/pcs)	HDG Code	Weight (kg/pcs)	HDG Code	Weight (kg/pcs)	HDG Code
040 KME 100 ID	40	100	2	1,179	3294070	1,540	3294109	1,808	3294148
040 KME 200 ID	40	200	2	1,365	3294071	1,818	3294110	2,086	3294149
040 KME 300 ID	40	300	2	1,550	3294072	2,096	3294111	2,364	3294150
040 KME 400 ID	40	400	2	1,736	3294073	2,374	3294112	2,642	3294151
040 KME 500 ID	40	500	2	1,921	3294074	2,652	3294113	2,921	3294152
040 KME 600 ID	40	600	2	2,107	3294075	2,930	3294114	3,198	3294153
050 KME 100 ID	50	100	2	1,343	3294076	1,747	3294115	2,057	3294154
050 KME 200 ID	50	200	2	1,528	3294077	2,024	3294116	2,335	3294155
050 KME 300 ID	50	300	2	1,714	3294078	2,302	3294117	2,614	3294156
050 KME 400 ID	50	400	2	1,899	3294079	2,581	3294118	2,891	3294157
050 KME 500 ID	50	500	2	2,085	3294080	2,859	3294119	3,169	3294158
050 KME 600 ID	50	600	2	2,269	3294081	3,136	3294120	3,447	3294159
060 KME 100 ID	60	100	2	1,509	3294082	1,956	3294121	2,310	3294160
060 KME 200 ID	60	200	2	1,695	3294083	2,234	3294122	2,587	3294161
060 KME 300 ID	60	300	2	1,880	3294084	2,511	3294123	2,866	3294162
060 KME 400 ID	60	400	2	2,066	3294085	2,790	3294124	3,144	3294163
060 KME 500 ID	60	500	2	2,251	3294086	3,068	3294125	3,422	3294164
060 KME 600 ID	60	600	2	2,437	3294087	3,346	3294126	3,699	3294165
075 KME 100 ID	75	100	2	1,764	3294088	2,275	3294127	2,693	3294166
075 KME 200 ID	75	200	2	1,949	3294089	2,553	3294128	2,971	3294167
075 KME 300 ID	75	300	2	2,135	3294090	2,831	3294129	3,249	3294168
075 KME 400 ID	75	400	2	2,320	3294091	3,110	3294130	3,528	3294169
075 KME 500 ID	75	500	2	2,506	3294092	3,387	3294131	3,805	3294170
075 KME 600 ID	75	600	2	2,691	3294093	3,665	3294132	4,083	3294171
100 KME 200 ID	100	200	2	2,395	3294094	3,105	3294133	3,630	3294172
100 KME 300 ID	100	300	2	2,580	3294095	3,384	3294134	3,908	3294173
100 KME 400 ID	100	400	2	2,765	3294096	3,661	3294135	4,187	3294174
100 KME 500 ID	100	500	2	2,950	3294097	3,939	3294136	4,465	3294175
100 KME 600 ID	100	600	2	3,136	3294098	4,217	3294137	4,742	3294176
125 KME 200 ID	125	200	2	2,863	3294099	3,681	3294138	4,314	3294177
125 KME 300 ID	125	300	2	3,048	3294100	3,959	3294139	4,591	3294178
125 KME 400 ID	125	400	2	3,234	3294101	4,237	3294140	4,870	3294179
125 KME 500 ID	125	500	2	3,419	3294102	4,516	3294141	5,148	3294180
125 KME 600 ID	125	600	2	3,605	3294103	4,793	3294142	5,426	3294181
150 KME 200 ID	150	200	2	3,339	3294104	4,267	3294143	5,005	3294182
150 KME 300 ID	150	300	2	3,524	3294105	4,544	3294144	5,282	3294183
150 KME 400 ID	150	400	2	3,709	3294106	4,822	3294145	5,561	3294184
150 KME 500 ID	150	500	2	3,895	3294107	5,101	3294146	5,839	3294185
150 KME 600 ID	150	600	2	4,080	3294108	5,379	3294147	6,116	3294186



- Please contact your representative for inquiries regarding stainless steel alternatives.
- Please indicate product code in your orders.
- Please contact us for special dimensions.
- Material weights may vary by ± 10%

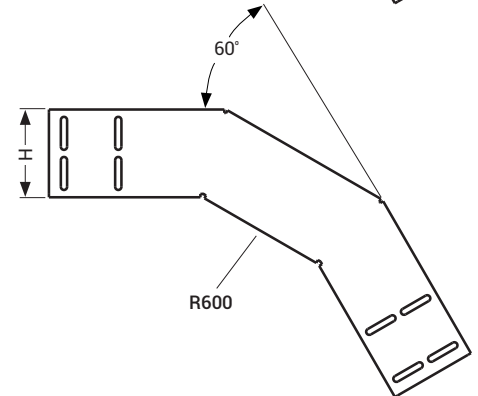
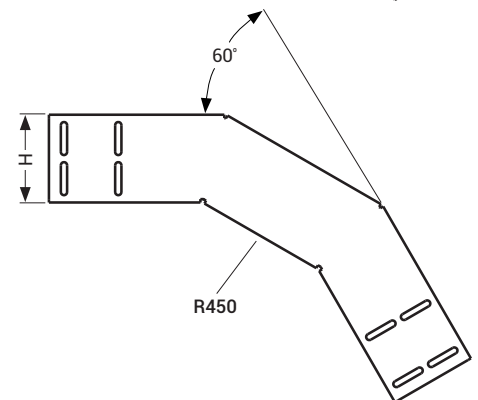
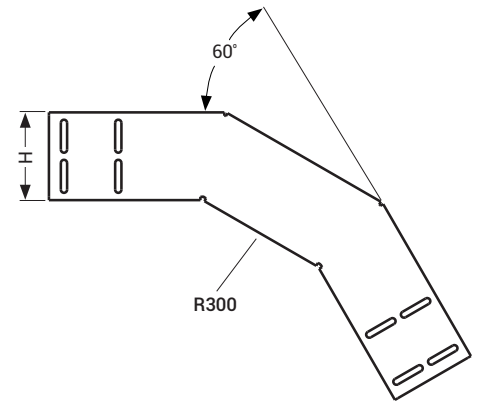
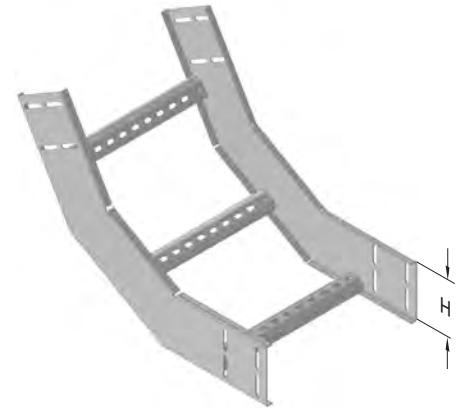
■ All dimensions are given as in mm

- PG= Pre-Galvanized
- HDG= Hot Dip Galvanized

►► BENDS

► KME Vertical Inside Bend (60°) (R300, R450, R600) Hot Dip Galvanized (TS EN ISO 1461)

Description	H (mm)	A (mm)	T (mm)	R=300		R=450		R=600	
				Weight (kg/pcs)	HDG Code	Weight (kg/pcs)	HDG Code	Weight (kg/pcs)	HDG Code
040 KME 100 ID	40	100	2	1,344	3294187	1,784	3294226	2,131	3294265
040 KME 200 ID	40	200	2	1,530	3294188	2,061	3294227	2,409	3294266
040 KME 300 ID	40	300	2	1,715	3294189	2,340	3294228	2,686	3294267
040 KME 400 ID	40	400	2	1,901	3294190	2,618	3294229	2,965	3294268
040 KME 500 ID	40	500	2	2,086	3294191	2,896	3294230	3,243	3294269
040 KME 600 ID	40	600	2	2,272	3294192	3,174	3294231	3,521	3294270
050 KME 100 ID	50	100	2	1,538	3294193	2,033	3294232	2,435	3294271
050 KME 200 ID	50	200	2	1,724	3294194	2,311	3294233	2,714	3294272
050 KME 300 ID	50	300	2	1,909	3294195	2,589	3294234	2,991	3294273
050 KME 400 ID	50	400	2	2,094	3294196	2,867	3294235	3,269	3294274
050 KME 500 ID	50	500	2	2,279	3294197	3,145	3294236	3,548	3294275
050 KME 600 ID	50	600	2	2,465	3294198	3,423	3294237	3,825	3294276
060 KME 100 ID	60	100	2	1,828	3294199	2,286	3294238	2,743	3294277
060 KME 200 ID	60	200	2	2,107	3294200	2,564	3294239	3,022	3294278
060 KME 300 ID	60	300	2	2,384	3294201	2,841	3294240	3,300	3294279
060 KME 400 ID	60	400	2	2,662	3294202	3,120	3294241	3,577	3294280
060 KME 500 ID	60	500	2	2,940	3294203	3,398	3294242	3,856	3294281
060 KME 600 ID	60	600	2	3,219	3294204	3,676	3294243	4,134	3294282
075 KME 100 ID	75	100	2	2,131	3294205	2,672	3294244	3,306	3294283
075 KME 200 ID	75	200	2	2,409	3294206	2,950	3294245	3,676	3294284
075 KME 300 ID	75	300	2	2,687	3294207	3,227	3294246	4,047	3294285
075 KME 400 ID	75	400	2	2,965	3294208	3,506	3294247	4,418	3294286
075 KME 500 ID	75	500	2	3,243	3294209	3,784	3294248	4,788	3294287
075 KME 600 ID	75	600	2	3,521	3294210	4,062	3294249	5,159	3294288
100 KME 200 ID	100	200	2	2,937	3294211	3,617	3294250	4,483	3294289
100 KME 300 ID	100	300	2	3,215	3294212	3,895	3294251	4,853	3294290
100 KME 400 ID	100	400	2	3,494	3294213	4,173	3294252	5,224	3294291
100 KME 500 ID	100	500	2	3,772	3294214	4,452	3294253	5,595	3294292
100 KME 600 ID	100	600	2	4,049	3294215	4,729	3294254	5,965	3294293
125 KME 200 ID	125	200	2	3,493	3294216	4,311	3294255	5,315	3294294
125 KME 300 ID	125	300	2	3,770	3294217	4,589	3294256	5,686	3294295
125 KME 400 ID	125	400	2	4,048	3294218	4,866	3294257	6,056	3294296
125 KME 500 ID	125	500	2	4,326	3294219	5,145	3294258	6,426	3294297
125 KME 600 ID	125	600	2	4,605	3294220	5,423	3294259	6,797	3294298
150 KME 200 ID	150	200	2	4,066	3294221	5,023	3294260	6,166	3294299
150 KME 300 ID	150	300	2	4,344	3294222	5,301	3294261	6,536	3294300
150 KME 400 ID	150	400	2	4,622	3294223	5,579	3294262	6,907	3294301
150 KME 500 ID	150	500	2	4,899	3294224	5,858	3294263	7,278	3294302
150 KME 600 ID	150	600	2	5,178	3294225	6,135	3294264	7,648	3305388



- Please contact your representative for inquiries regarding stainless steel alternatives.
- Please indicate product code in your orders.
- Please contact us for special dimensions.
- Material weights may vary by ± 10%

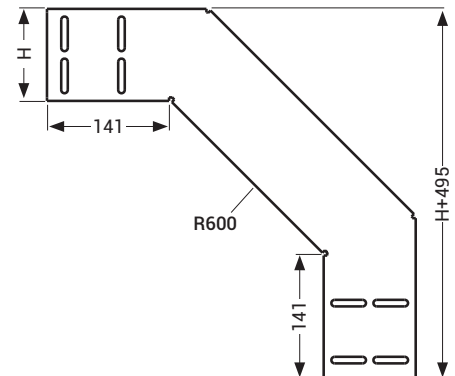
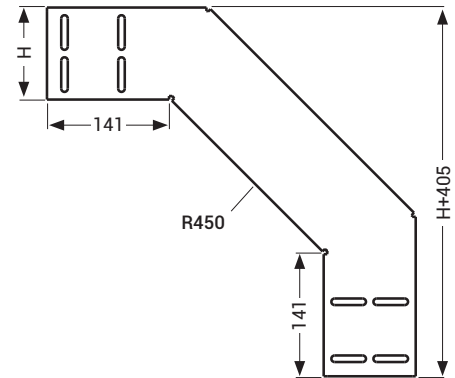
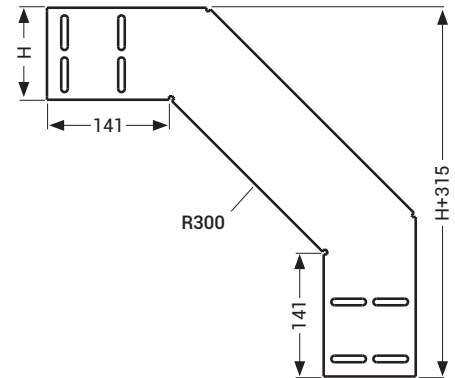
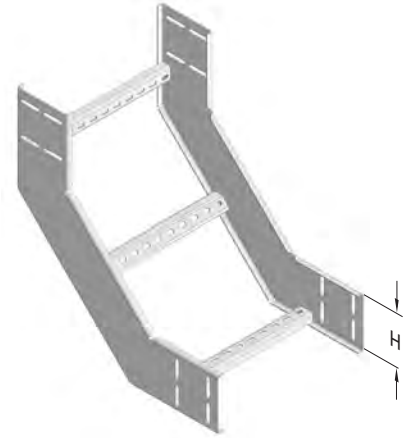
- All dimensions are given as in mm
- PG= Pre-Galvanized
- HDG= Hot Dip Galvanized

►► BENDS

► KME Vertical Inside Bend (90°) (R300, R450, R600)

Hot Dip Galvanized (TS EN ISO 1461)

Description	H (mm)	A (mm)	T (mm)	R=300		R=450		R=600	
				Weight (kg/pcs)	HDG Code	Weight (kg/pcs)	HDG Code	Weight (kg/pcs)	HDG Code
040 KME 100 ID	40	100	2	1,450	3004084	1,717	3004114	1,986	3004144
040 KME 200 ID	40	200	2	1,727	3004085	1,995	3004115	2,263	3004145
040 KME 300 ID	40	300	2	2,005	3004086	2,274	3004116	2,541	3004146
040 KME 400 ID	40	400	2	2,284	3004087	2,551	3004117	2,819	3004147
040 KME 500 ID	40	500	2	2,561	3004088	2,829	3004118	3,098	3004148
040 KME 600 ID	40	600	2	2,839	3004089	3,108	3004119	3,375	3004149
050 KME 100 ID	50	100	2	1,656	3004090	1,966	3004120	2,277	3004150
050 KME 200 ID	50	200	2	1,934	3004091	2,244	3004121	2,555	3004151
050 KME 300 ID	50	300	2	2,211	3004092	2,522	3004122	2,833	3004152
050 KME 400 ID	50	400	2	2,489	3004093	2,801	3004123	3,111	3004153
050 KME 500 ID	50	500	2	2,768	3004094	3,078	3004124	3,389	3004154
050 KME 600 ID	50	600	2	3,046	3004095	3,356	3004125	3,667	3004155
060 KME 100 ID	60	100	2	1,867	3004096	2,221	3004126	2,575	3004156
060 KME 200 ID	60	200	2	2,145	3004097	2,499	3004127	2,852	3004157
060 KME 300 ID	60	300	2	2,423	3004098	2,776	3004128	3,131	3004158
060 KME 400 ID	60	400	2	2,702	3004099	3,055	3004129	3,409	3004159
060 KME 500 ID	60	500	2	2,979	3004100	3,333	3004130	3,686	3004160
060 KME 600 ID	60	600	2	3,257	3004101	3,611	3004131	3,964	3004161
075 KME 100 ID	75	100	2	2,196	3004102	2,614	3004132	3,032	3004162
075 KME 200 ID	75	200	2	2,474	3004103	2,892	3004133	3,310	3004163
075 KME 300 ID	75	300	2	2,751	3004104	3,169	3004134	3,588	3004164
075 KME 400 ID	75	400	2	3,029	3004105	3,447	3004135	3,865	3004165
075 KME 500 ID	75	500	2	3,308	3004106	3,726	3004136	4,144	3004166
075 KME 600 ID	75	600	2	3,586	3004107	4,004	3004137	4,422	3004167
100 KME 200 ID	100	200	2	3,035	3004109	3,560	3004139	4,270	3004169
100 KME 300 ID	100	300	2	3,312	3004110	3,838	3004140	4,641	3004170
100 KME 400 ID	100	400	2	3,590	3004111	4,116	3004141	5,012	3004171
100 KME 500 ID	100	500	2	3,869	3004112	4,393	3004142	5,382	3004172
100 KME 600 ID	100	600	2	4,147	3004113	4,672	3004143	5,753	3004173
125 KME 200 ID	125	200	2	3,650	3000958	4,282	3000968	5,101	3000978
125 KME 300 ID	125	300	2	3,927	3000959	4,561	3000969	5,470	3000979
125 KME 400 ID	125	400	2	4,205	3000960	4,838	3000970	5,841	3000980
125 KME 500 ID	125	500	2	4,484	3000961	5,116	3000971	6,212	3000981
125 KME 600 ID	125	600	2	4,762	3000962	5,394	3000972	6,582	3000982
150 KME 200 ID	150	200	2	4,310	3000963	5,050	3000973	5,975	3000983
150 KME 300 ID	150	300	2	4,588	3000964	5,328	3000974	6,346	3000984
150 KME 400 ID	150	400	2	4,866	3000965	5,607	3000975	6,717	3000985
150 KME 500 ID	150	500	2	5,145	3000966	5,884	3000976	7,087	3000986
150 KME 600 ID	150	600	2	5,422	3000967	6,162	3000977	7,458	3000987



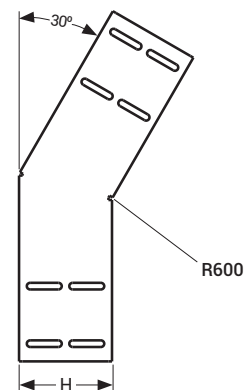
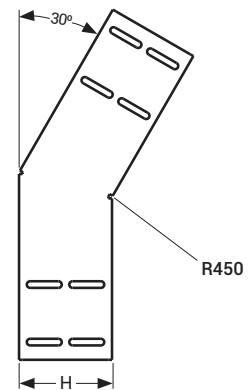
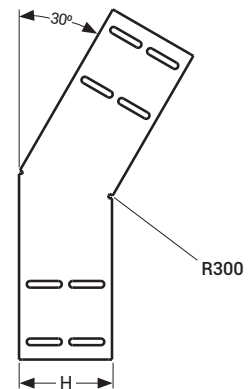
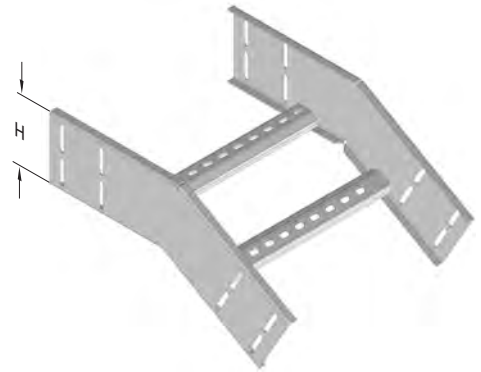
- Please contact your representative for inquiries regarding stainless steel alternatives.
- Please indicate product code in your orders.
- Please contact us for special dimensions.
- Material weights may vary by ± 10%

- All dimensions are given as in mm
- PG= Pre-Galvanized
- HDG= Hot Dip Galvanized

►► BENDS

► KME Vertical Outside Bend (30°) (R300, R450, R600) Hot Dip Galvanized (TS EN ISO 1461)

Description	H (mm)	A (mm)	T (mm)	R=300		R=450		R=600	
				Weight (kg/pcs)	HDG Code	Weight (kg/pcs)	HDG Code	Weight (kg/pcs)	HDG Code
040 KME 100 DD	40	100	2	0,978	3293599	1,151	3293639	1,324	3293678
040 KME 200 DD	40	200	2	1,163	3293600	1,337	3293640	1,509	3293679
040 KME 300 DD	40	300	2	1,349	3293601	1,521	3293641	1,695	3293680
040 KME 400 DD	40	400	2	1,533	3293602	1,707	3293642	1,880	3293681
040 KME 500 DD	40	500	2	1,719	3293603	1,892	3293643	2,066	3293682
040 KME 600 DD	40	600	2	1,904	3293604	2,078	3293644	2,251	3293683
050 KME 100 DD	50	100	2	1,106	3293605	1,306	3293645	1,507	3293684
050 KME 200 DD	50	200	2	1,290	3293606	1,492	3293646	1,693	3293685
050 KME 300 DD	50	300	2	1,476	3293607	1,676	3293647	1,878	3293686
050 KME 400 DD	50	400	2	1,661	3293608	1,862	3293648	2,064	3293687
050 KME 500 DD	50	500	2	1,847	3293609	2,047	3293649	2,248	3293688
050 KME 600 DD	50	600	2	2,032	3293610	2,233	3293650	2,434	3293689
060 KME 100 DD	60	100	2	1,234	3293611	1,463	3293651	1,692	3293690
060 KME 200 DD	60	200	2	1,420	3293612	1,649	3293652	1,878	3293691
060 KME 300 DD	60	300	2	1,605	3293613	1,834	3293653	2,063	3293692
060 KME 400 DD	60	400	2	1,791	3293614	2,020	3293654	2,248	3293693
060 KME 500 DD	60	500	2	1,976	3293615	2,204	3293655	2,433	3293694
060 KME 600 DD	60	600	2	2,162	3293616	2,390	3293656	2,619	3293695
075 KME 100 DD	75	100	2	1,432	3293617	1,703	3293657	1,973	3293696
075 KME 200 DD	75	200	2	1,617	3293618	1,888	3293658	2,158	3293697
075 KME 300 DD	75	300	2	1,803	3293619	2,074	3293659	2,344	3293698
075 KME 400 DD	75	400	2	1,988	3293620	2,258	3293660	2,529	3293699
075 KME 500 DD	75	500	2	2,174	3293621	2,444	3293661	2,715	3293700
075 KME 600 DD	75	600	2	2,358	3293622	2,629	3293662	2,900	3293701
100 KME 200 DD	100	200	2	1,961	3293624	2,301	3293663	2,641	3293702
100 KME 300 DD	100	300	2	2,146	3293625	2,486	3293664	2,826	3293703
100 KME 400 DD	100	400	2	2,332	3293626	2,672	3293665	3,012	3293704
100 KME 500 DD	100	500	2	2,517	3293627	2,857	3293666	3,197	3293705
100 KME 600 DD	100	600	2	2,703	3293628	3,043	3293667	3,383	3293706
125 KME 200 DD	125	200	2	2,322	3293629	2,732	3293668	3,142	3293707
125 KME 300 DD	125	300	2	2,508	3293630	2,917	3293669	3,326	3293708
125 KME 400 DD	125	400	2	2,693	3293631	3,103	3293670	3,512	3293709
125 KME 500 DD	125	500	2	2,879	3293632	3,288	3293671	3,697	3293710
125 KME 600 DD	125	600	2	3,064	3293633	3,474	3293672	3,883	3293711
150 KME 200 DD	150	200	2	2,685	3293634	3,164	3293673	3,643	3293712
150 KME 300 DD	150	300	2	2,871	3293635	3,350	3293674	3,828	3293713
150 KME 400 DD	150	400	2	3,056	3293636	3,534	3293675	4,013	3293714
150 KME 500 DD	150	500	2	3,242	3293637	3,720	3293676	4,199	3293715
150 KME 600 DD	150	600	2	3,427	3293638	3,905	3293677	4,384	3293716



- Please contact your representative for inquiries regarding stainless steel alternatives.
- Please indicate product code in your orders.
- Please contact us for special dimensions.
- Material weights may vary by ± 10%

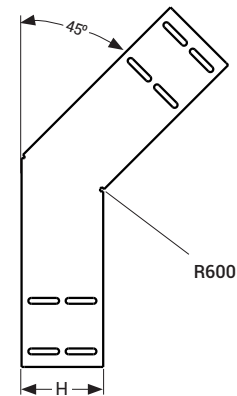
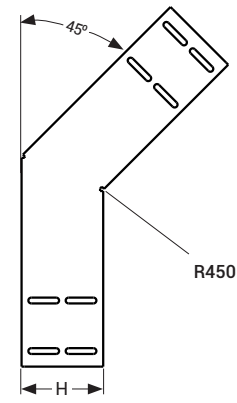
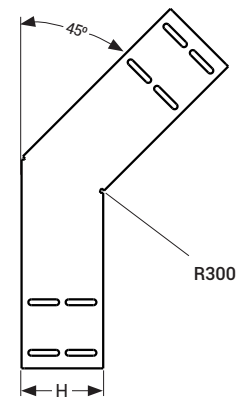
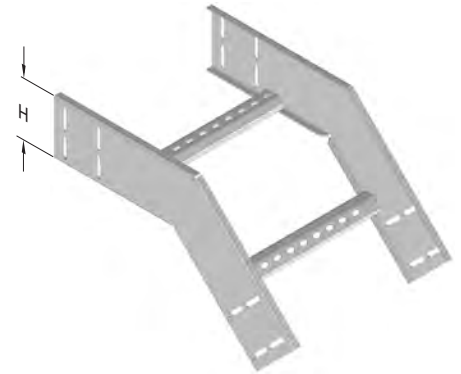
- All dimensions are given as in mm
- PG= Pre-Galvanized
- HDG= Hot Dip Galvanized

►► BENDS

► KME Vertical Outside Bend (45°) (R300, R450, R600)

Hot Dip Galvanized (TS EN ISO 1461)

Description	H (mm)	A (mm)	T (mm)	R=300		R=450		R=600	
				Weight (kg/pcs)	HDG Code	Weight (kg/pcs)	HDG Code	Weight (kg/pcs)	HDG Code
040 KME 100 DD	40	100	2	1,179	3293717	1,448	3293756	1,808	3293795
040 KME 200 DD	40	200	2	1,365	3293718	1,632	3293757	2,086	3293796
040 KME 300 DD	40	300	2	1,550	3293719	1,818	3293758	2,364	3293797
040 KME 400 DD	40	400	2	1,736	3293720	2,003	3293759	2,642	3293798
040 KME 500 DD	40	500	2	1,921	3293721	2,189	3293760	2,921	3293799
040 KME 600 DD	40	600	2	2,107	3293722	2,374	3293761	3,198	3293800
050 KME 100 DD	50	100	2	1,343	3293723	1,653	3293762	2,057	3293802
050 KME 200 DD	50	200	2	1,528	3293724	1,839	3293763	2,335	3293803
050 KME 300 DD	50	300	2	1,714	3293725	2,024	3293764	2,614	3293804
050 KME 400 DD	50	400	2	1,899	3293726	2,210	3293765	2,891	3293805
050 KME 500 DD	50	500	2	2,085	3293727	2,395	3293766	3,169	3293806
050 KME 600 DD	60	600	2	2,269	3293728	2,581	3293767	3,447	3293807
060 KME 100 DD	60	100	2	1,509	3293729	1,863	3293768	2,310	3293808
060 KME 200 DD	60	200	2	1,695	3293730	2,048	3293769	2,587	3293809
060 KME 300 DD	60	300	2	1,880	3293731	2,234	3293770	2,866	3293810
060 KME 400 DD	60	400	2	2,066	3293732	2,419	3293771	3,144	3293811
060 KME 500 DD	60	500	2	2,251	3293733	2,605	3293772	3,422	3293812
060 KME 600 DD	75	600	2	2,437	3293734	2,790	3293773	3,699	3293813
075 KME 100 DD	75	100	2	1,764	3293735	2,182	3293774	2,693	3293814
075 KME 200 DD	75	200	2	1,949	3293736	2,368	3293775	2,971	3293815
075 KME 300 DD	75	300	2	2,135	3293737	2,553	3293776	3,249	3293816
075 KME 400 DD	75	400	2	2,320	3293738	2,739	3293777	3,528	3293817
075 KME 500 DD	75	500	2	2,506	3293739	2,924	3293778	3,805	3293818
075 KME 600 DD	100	600	2	2,691	3293740	3,110	3293779	4,083	3293819
100 KME 200 DD	100	200	2	2,395	3293741	2,919	3293780	3,630	3293820
100 KME 300 DD	100	300	2	2,580	3293742	3,105	3293781	3,908	3293821
100 KME 400 DD	100	400	2	2,765	3293743	3,290	3293782	4,187	3293822
100 KME 500 DD	100	500	2	2,950	3293744	3,476	3293783	4,465	3293823
100 KME 600 DD	125	600	2	3,136	3293745	3,661	3293784	4,742	3293824
125 KME 200 DD	125	200	2	2,863	3293746	3,496	3293785	4,314	3293825
125 KME 300 DD	125	300	2	3,048	3293747	3,681	3293786	4,591	3293827
125 KME 400 DD	125	400	2	3,234	3293748	3,867	3293787	4,870	3293828
125 KME 500 DD	125	500	2	3,419	3293749	4,051	3293788	5,148	3293829
125 KME 600 DD	150	600	2	3,605	3293750	4,237	3293789	5,426	3293830
150 KME 200 DD	150	200	2	3,339	3293751	4,081	3293790	5,005	3293831
150 KME 300 DD	150	300	2	3,524	3293752	4,267	3293791	5,282	3293832
150 KME 400 DD	150	400	2	3,709	3293753	4,452	3293792	5,561	3293833
150 KME 500 DD	150	500	2	3,895	3293754	4,638	3293793	5,839	3293834
150 KME 600 DD	150	600	2	4,080	3293755	4,822	3293794	6,116	3293835



- Please contact your representative for inquiries regarding stainless steel alternatives.
- Please indicate product code in your orders.
- Please contact us for special dimensions.
- Material weights may vary by ± 10%

■ All dimensions are given as in mm

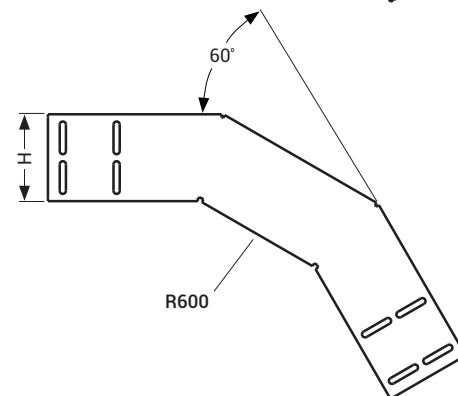
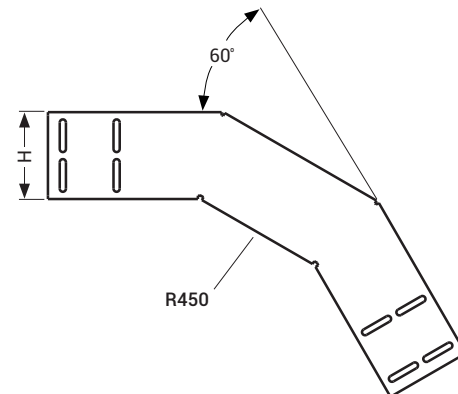
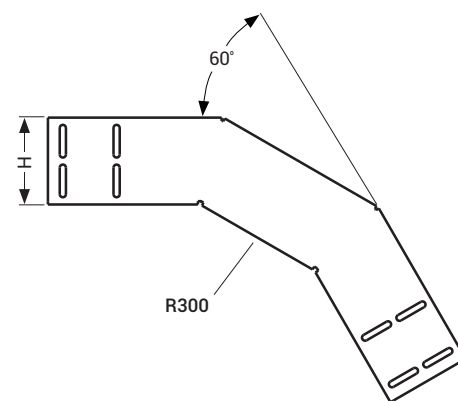
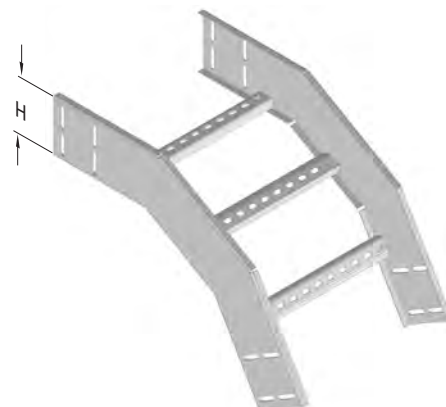
- PG= Pre-Galvanized
- HDG= Hot Dip Galvanized

►► BENDS

► KME Vertical Outside Bend (60°) (R300, R450, R600)

Hot Dip Galvanized (TS EN ISO 1461)

Description	H (mm)	A (mm)	T (mm)	R=300		R=450		R=600	
				Weight (kg/pcs)	HDG Code	Weight (kg/pcs)	HDG Code	Weight (kg/pcs)	HDG Code
040 KME 100 DD	40	100	2	1,438	3293836	1,784	3293875	2,131	3293914
040 KME 200 DD	40	200	2	1,715	3293837	2,061	3293876	2,409	3293915
040 KME 300 DD	40	300	2	1,993	3293838	2,340	3293877	2,686	3293916
040 KME 400 DD	40	400	2	2,272	3293839	2,618	3293878	2,965	3293917
040 KME 500 DD	40	500	2	2,550	3293840	2,896	3293879	3,243	3293918
040 KME 600 DD	40	600	2	2,827	3293841	3,174	3293880	3,521	3293919
050 KME 100 DD	50	100	2	1,631	3293842	2,033	3293881	2,435	3293920
050 KME 200 DD	50	200	2	1,909	3293843	2,311	3293882	2,714	3293921
050 KME 300 DD	50	300	2	2,187	3293844	2,589	3293883	2,991	3293922
050 KME 400 DD	50	400	2	2,465	3293845	2,867	3293884	3,269	3293923
050 KME 500 DD	50	500	2	2,743	3293846	3,145	3293885	3,548	3293924
050 KME 600 DD	50	600	2	3,021	3293847	3,423	3293886	3,825	3293925
060 KME 100 DD	60	100	2	1,828	3293848	2,286	3293887	2,743	3293926
060 KME 200 DD	60	200	2	2,107	3293849	2,564	3293888	3,022	3293927
060 KME 300 DD	60	300	2	2,384	3293850	2,841	3293889	3,300	3293928
060 KME 400 DD	60	400	2	2,662	3293851	3,120	3293890	3,577	3293929
060 KME 500 DD	60	500	2	2,940	3293852	3,398	3293891	3,856	3293930
060 KME 600 DD	60	600	2	3,219	3293853	3,676	3293892	4,134	3293931
075 KME 100 DD	75	100	2	2,131	3293854	2,672	3293893	3,213	3293932
075 KME 200 DD	75	200	2	2,409	3293855	2,950	3293894	3,491	3293933
075 KME 300 DD	75	300	2	2,687	3293856	3,227	3293895	3,769	3293934
075 KME 400 DD	75	400	2	2,965	3293857	3,506	3293896	4,047	3293935
075 KME 500 DD	75	500	2	3,243	3293858	3,784	3293897	4,325	3293936
075 KME 600 DD	75	600	2	3,521	3293859	4,062	3293898	4,602	3293937
100 KME 200 DD	100	200	2	2,937	3293860	3,617	3293899	4,297	3293938
100 KME 300 DD	100	300	2	3,215	3293861	3,895	3293900	4,575	3293939
100 KME 400 DD	100	400	2	3,494	3293862	4,173	3293901	4,853	3293940
100 KME 500 DD	100	500	2	3,772	3293863	4,452	3293902	5,132	3293941
100 KME 600 DD	100	600	2	4,049	3293864	4,729	3293903	5,409	3293942
125 KME 200 DD	125	200	2	3,493	3293865	4,311	3293904	5,129	3293943
125 KME 300 DD	125	300	2	3,770	3293866	4,589	3293905	5,408	3293944
125 KME 400 DD	125	400	2	4,048	3293867	4,866	3293906	5,686	3293945
125 KME 500 DD	125	500	2	4,326	3293868	5,145	3293907	5,963	3293946
125 KME 600 DD	125	600	2	4,605	3293869	5,423	3293908	6,241	3293947
150 KME 200 DD	150	200	2	4,066	3293870	5,023	3293909	5,981	3293948
150 KME 300 DD	150	300	2	4,344	3293871	5,301	3293910	6,259	3293949
150 KME 400 DD	150	400	2	4,622	3293872	5,579	3293911	6,536	3293950
150 KME 500 DD	150	500	2	4,899	3293873	5,858	3293912	6,815	3293951
150 KME 600 DD	150	600	2	5,178	3293874	6,135	3293913	7,093	3293952



■ Please contact your representative for inquiries regarding stainless steel alternatives.

■ Please indicate product code in your orders.

■ Please contact us for special dimensions.

■ Material weights may vary by ± 10%

■ All dimensions are given as in mm

■ PG= Pre-Galvanized

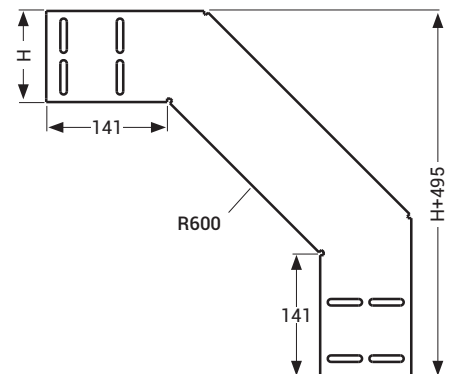
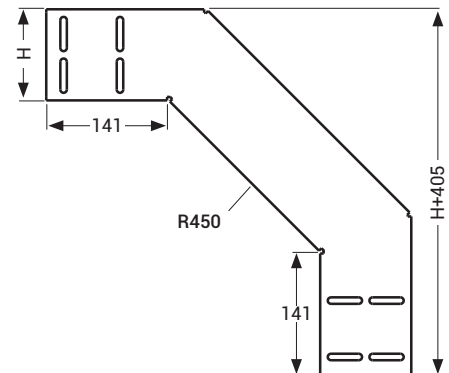
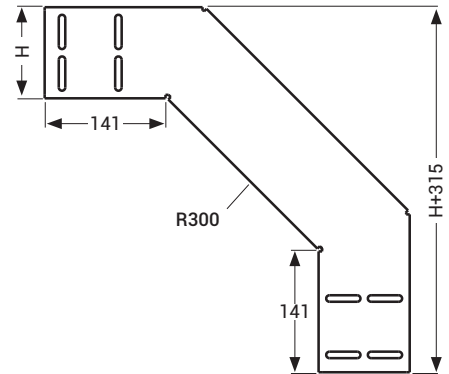
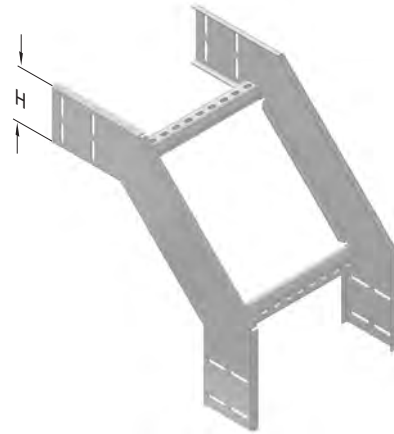
■ HDG= Hot Dip Galvanized

►► BENDS

► KME Vertical Outside Bend (90°) (R300, R450, R600)

Hot Dip Galvanized (TS EN ISO 1461)

Description	H (mm)	A (mm)	T (mm)	R=300		R=450		R=600	
				Weight (kg/pcs)	HDG Code	Weight (kg/pcs)	HDG Code	Weight (kg/pcs)	HDG Code
040 KME 100 DD	40	100	2	1,356	3004174	1,717	3004204	1,986	3004234
040 KME 200 DD	40	200	2	1,542	3004175	1,995	3004205	2,263	3004235
040 KME 300 DD	40	300	2	1,727	3004176	2,274	3004206	2,541	3004236
040 KME 400 DD	40	400	2	1,913	3004177	2,551	3004207	2,819	3004237
040 KME 500 DD	40	500	2	2,098	3004178	2,829	3004208	3,098	3004238
040 KME 600 DD	40	600	2	2,284	3004179	3,108	3004209	3,375	3004239
050 KME 100 DD	50	100	2	1,563	3004180	1,966	3004210	2,277	3004240
050 KME 200 DD	50	200	2	1,903	3004181	2,244	3004211	2,555	3004241
050 KME 300 DD	50	300	2	1,934	3004182	2,522	3004212	2,833	3004242
050 KME 400 DD	50	400	2	2,119	3004183	2,801	3004213	3,111	3004243
050 KME 500 DD	50	500	2	2,305	3004184	3,078	3004214	3,389	3004244
050 KME 600 DD	50	600	2	2,489	3004185	3,356	3004215	3,667	3004245
060 KME 100 DD	60	100	2	1,774	3004186	2,221	3004216	2,575	3004246
060 KME 200 DD	60	200	2	1,960	3004187	2,499	3004217	2,852	3004247
060 KME 300 DD	60	300	2	2,145	3004188	2,776	3004218	3,131	3004248
060 KME 400 DD	60	400	2	2,331	3004189	3,055	3004219	3,409	3004249
060 KME 500 DD	60	500	2	2,516	3004190	3,333	3004220	3,686	3004250
060 KME 600 DD	60	600	2	2,702	3004191	3,611	3004221	3,964	3004251
075 KME 100 DD	75	100	2	2,103	3004192	2,614	3004222	3,032	3004252
075 KME 200 DD	75	200	2	2,288	3004193	2,892	3004223	3,310	3004253
075 KME 300 DD	75	300	2	2,474	3004194	3,169	3004224	3,588	3004254
075 KME 400 DD	75	400	2	2,659	3004195	3,447	3004225	3,865	3004255
075 KME 500 DD	75	500	2	2,845	3004196	3,726	3004226	4,144	3004256
075 KME 600 DD	75	600	2	3,029	3004197	4,004	3004227	4,422	3004257
100 KME 200 DD	100	200	2	2,849	3004199	3,560	3004229	4,085	3004259
100 KME 300 DD	100	300	2	3,035	3004200	3,838	3004230	4,364	3004260
100 KME 400 DD	100	400	2	3,220	3004201	4,116	3004231	4,641	3004261
100 KME 500 DD	100	500	2	3,406	3004202	4,393	3004232	4,919	3004262
100 KME 600 DD	100	600	2	3,590	3004203	4,672	3004233	5,198	3004263
125 KME 200 DD	125	200	2	3,464	3000988	4,282	3000998	4,915	3001008
125 KME 300 DD	125	300	2	3,650	3000989	4,561	3000999	5,193	3001009
125 KME 400 DD	125	400	2	3,835	3000990	4,838	3001000	5,470	3001010
125 KME 500 DD	125	500	2	4,021	3000991	5,116	3001001	5,749	3001011
125 KME 600 DD	125	600	2	4,205	3000992	5,394	3001002	6,027	3001012
150 KME 200 DD	150	200	2	4,125	3000993	5,050	3001003	5,790	3001013
150 KME 300 DD	150	300	2	4,310	3000994	5,328	3001004	6,069	3001014
150 KME 400 DD	150	400	2	4,496	3000995	5,607	3001005	6,346	3001015
150 KME 500 DD	150	500	2	4,681	3000996	5,884	3001006	6,624	3001016
150 KME 600 DD	150	600	2	4,867	3000997	6,162	3001007	6,903	3001017



KM

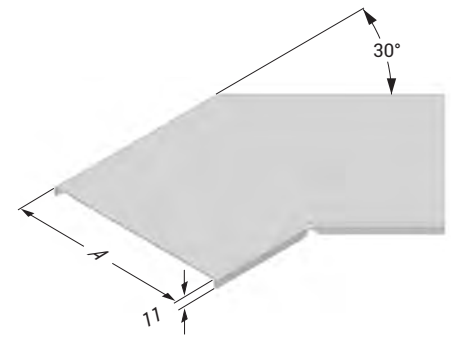
- Please contact your representative for inquiries regarding stainless steel alternatives.
- Please indicate product code in your orders.
- Please contact us for special dimensions.
- Material weights may vary by ± 10%

- All dimensions are given as in mm
- PG= Pre-Galvanized
- HDG= Hot Dip Galvanized

►► BEND COVERS

► KME YD 30° Horizontal Degree Bend (R300, R450, R600) Hot Dip Galvanized (TS EN ISO 1461)

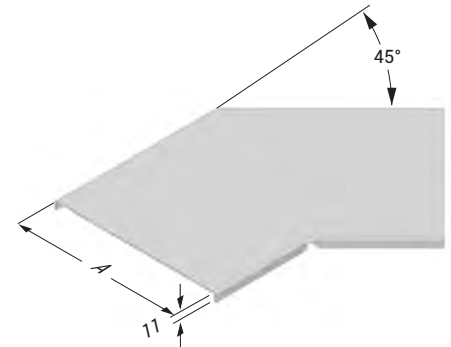
Description	A (mm)	T (mm)	R300		R450		R600	
			Weight (kg/pcs)	HDG Code	Weight (kg/pcs)	HDG Code	Weight (kg/pcs)	HDG Code
KME 100 YD COVER	105	2	0,406	3268033	0,580	3268042	0,755	3268051
KME 200 YD COVER	205	2	0,836	3268035	1,150	3268044	1,462	3268053
KME 300 YD COVER	305	2	1,359	3268037	1,811	3268046	2,263	3268055
KME 400 YD COVER	405	2	1,975	3268038	2,564	3268047	3,155	3268056
KME 500 YD COVER	505	2	2,682	3268039	3,411	3268048	4,140	3268057
KME 600 YD COVER	605	2	3,482	3268040	4,351	3268049	5,218	3268058



► KME YD 45° Horizontal Degree Bend Cover (R300, R450, R600)

Hot Dip Galvanized (TS EN ISO 1461)

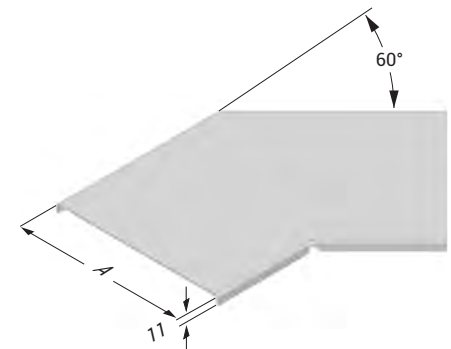
Description	A (mm)	T (mm)	R300		R450		R600	
			Weight (kg/pcs)	HDG Code	Weight (kg/pcs)	HDG Code	Weight (kg/pcs)	HDG Code
KME 100 YD COVER	105	2	0,629	3005005	0,898	3005014	1,167	3005023
KME 200 YD COVER	205	2	1,294	3005007	1,778	3005016	2,262	3005025
KME 300 YD COVER	305	2	2,102	3005009	2,801	3005018	3,498	3005027
KME 400 YD COVER	405	2	3,053	3005010	3,966	3005019	4,879	3005028
KME 500 YD COVER	505	2	4,147	3005011	5,275	3005020	6,402	3005029
KME 600 YD COVER	605	2	5,383	3005012	6,727	3005021	8,069	3005030



► KME YD 60° Horizontal Degree Bend (R300, R450, R600)

Hot Dip Galvanized (TS EN ISO 1461)

Description	A (mm)	T (mm)	R300		R450		R600	
			Weight (kg/pcs)	HDG Code	Weight (kg/pcs)	HDG Code	Weight (kg/pcs)	HDG Code
KME 100 YD COVER	105	2	0,878	3268060	1,139	3268069	1,480	3268078
KME 200 YD COVER	205	2	1,804	3268062	2,253	3268071	2,866	3268080
KME 300 YD COVER	305	2	2,930	3268064	3,549	3268073	4,434	3268082
KME 400 YD COVER	405	2	4,256	3268065	5,026	3268074	6,183	3268083
KME 500 YD COVER	505	2	5,781	3268066	6,684	3268075	8,113	3268084
KME 600 YD COVER	605	2	7,505	3268067	8,524	3268076	10,224	3268085



► KME YD 90° Horizontal Degree Bend Cover (R300, R450, R600)

Hot Dip Galvanized (TS EN ISO 1461)

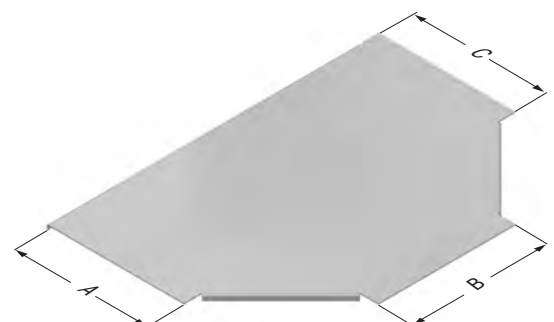
Description	AB (mm)	T (mm)	R300		R450		R600	
			Weight (kg/pcs)	HDG Code	Weight (kg/pcs)	HDG Code	Weight (kg/pcs)	HDG Code
KME 100 YD COVER	105	2	0,837	3005032	1,106	3005041	1,375	3005050
KME 200 YD COVER	205	2	1,849	3005034	2,332	3005043	2,816	3005052
KME 300 YD COVER	305	2	3,147	3005036	3,846	3005045	4,544	3005054
KME 400 YD COVER	405	2	4,731	3005037	5,644	3005046	6,557	3005055
KME 500 YD COVER	505	2	6,602	3005038	7,730	3005047	8,857	3005056
KME 600 YD COVER	605	2	8,758	3005039	10,101	3005048	11,443	3005057



► KME YT Tee Bend (R300, R450, R600) Hot Dip Galvanized (TS EN ISO 1461)

Hot Dip Galvanized (TS EN ISO 1461)

Description	A (mm)	T (mm)	R300		R450		R600	
			Weight (kg/pcs)	HDG Code	Weight (kg/pcs)	HDG Code	Weight (kg/pcs)	HDG Code
KME 100 YT COVER	105	2	2,032	3005059	3,265	3005068	4,631	3005077
KME 200 YT COVER	205	2	3,603	3005061	5,367	3005070	7,171	3005079
KME 300 YT COVER	305	2	5,578	3005063	7,685	3005072	10,057	3005081
KME 400 YT COVER	405	2	7,899	3005064	10,461	3005073	13,289	3005082
KME 500 YT COVER	505	2	10,566	3005065	13,582	3005074	16,865	3005083
KME 600 YT COVER	605	2	13,577	3005066	17,049	3005075	20,788	3005084



■ Please contact your representative for inquiries regarding stainless steel alternatives.

■ Please indicate product code in your orders.

■ Please contact us for special dimensions.

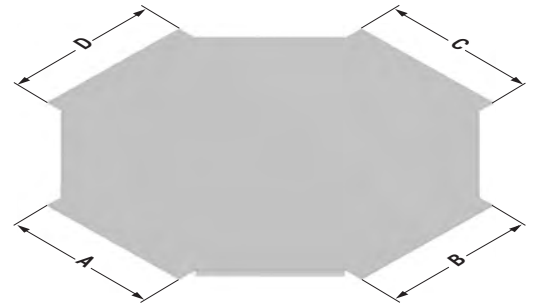
■ Material weights may vary by ± 10%

■ All dimensions are given as in mm

■ PG= Pre-Galvanized

■ HDG= Hot Dip Galvanized

Description	A (mm)	T (mm)	R300		R450		R600	
			Weight (kg/pcs)	HDG Code	Weight (kg/pcs)	HDG Code	Weight (kg/pcs)	HDG Code
KME 100 AD COVER	105	2	2,976	3005086	5,040	3005095	7,638	3005104
KME 200 AD COVER	205	2	4,995	3005088	7,674	3005097	10,885	3005106
KME 300 AD COVER	305	2	7,341	3005090	10,627	3005099	14,445	3005108
KME 400 AD COVER	405	2	10,034	3005091	13,926	3005100	18,352	3005109
KME 500 AD COVER	505	2	13,071	3005092	17,571	3005101	22,604	3005110
KME 600 AD COVER	605	2	16,455	3005093	21,561	3005102	27,201	3005111



► KME ID 30° Vertical Inside Bend (R300, R450, R600)

Hot Dip Galvanized (TS EN ISO 1461)

Description	A (mm)	T (mm)	R300		R450		R600	
			Weight (kg/pcs)	HDG Code	Weight (kg/pcs)	HDG Code	Weight (kg/pcs)	HDG Code
KME 100 ID COVER	105	2	0,338	3268089	0,509	3268090	0,681	3268091
KME 200 ID COVER	205	2	0,615	3268095	0,925	3268096	1,235	3268097
KME 300 ID COVER	305	2	0,752	3268101	1,340	3268102	1,790	3268103
KME 400 ID COVER	405	2	0,891	3268104	1,756	3268105	2,344	3268106
KME 500 ID COVER	505	2	1,168	3268107	2,171	3268108	2,897	3268109
KME 600 ID COVER	605	2	1,444	3268110	2,587	3268111	3,452	3268112



► KME ID 45° Vertical Inside Bend (R300, R450, R600)

Hot Dip Galvanized (TS EN ISO 1461)

Description	A (mm)	T (mm)	R300		R450		R600	
			Weight (kg/pcs)	HDG Code	Weight (kg/pcs)	HDG Code	Weight (kg/pcs)	HDG Code
KME 100 ID COVER	105	2	0,525	3268116	0,790	3268117	1,055	3268118
KME 200 ID COVER	205	2	0,953	3268122	1,432	3268123	1,911	3268124
KME 300 ID COVER	305	2	1,166	3268128	2,074	3268129	2,768	3268130
KME 400 ID COVER	405	2	1,379	3268131	2,716	3268132	3,625	3268133
KME 500 ID COVER	505	2	1,807	3268134	3,358	3268135	4,481	3268136
KME 600 ID COVER	605	2	2,235	3268137	4,001	3268138	5,338	3268139



► KME ID 60° Vertical Inside Bend (R300, R450, R600)

Hot Dip Galvanized (TS EN ISO 1461)

Description	A (mm)	T (mm)	R300		R450		R600	
			Weight (kg/pcs)	HDG Code	Weight (kg/pcs)	HDG Code	Weight (kg/pcs)	HDG Code
KME 100 ID COVER	105	2	0,691	3268143	1,036	3268144	1,382	3268145
KME 200 ID COVER	205	2	1,250	3268149	1,872	3268150	2,496	3268151
KME 300 ID COVER	305	2	1,808	3268155	2,709	3268156	3,609	3268157
KME 400 ID COVER	405	2	2,367	3268158	3,545	3268159	4,723	3268160
KME 500 ID COVER	505	2	2,926	3268161	4,381	3268162	5,838	3268163
KME 600 ID COVER	605	2	3,485	3268164	5,218	3268165	6,952	3268166



► KME ID 90° Vertical Inside Bend (R300, R450, R600)

Hot Dip Galvanized (TS EN ISO 1461)

Description	A (mm)	T (mm)	R300		R450		R600	
			Weight (kg/pcs)	HDG Code	Weight (kg/pcs)	HDG Code	Weight (kg/pcs)	HDG Code
KME 100 ID COVER	105	2	0,690	3005113	0,958	3005122	1,228	3005131
KME 200 ID COVER	205	2	1,244	3005115	1,728	3005124	2,212	3005133
KME 300 ID COVER	305	2	1,800	3005117	2,498	3005126	3,197	3005135
KME 400 ID COVER	405	2	2,354	3005118	3,267	3005127	4,180	3005136
KME 500 ID COVER	505	2	2,910	3005119	4,037	3005128	5,165	3005137
KME 600 ID COVER	605	2	3,464	3005120	4,807	3005129	6,149	3005138



■ Please contact your representative for inquiries regarding stainless steel alternatives.

■ Please indicate product code in your orders.

■ Please contact us for special dimensions.

■ Material weights may vary by ± 10%

■ All dimensions are given as in mm

■ PG= Pre-Galvanized

■ HDG= Hot Dip Galvanized

Description	H (mm)	A (mm)	T (mm)	R300		R450		R600	
				Weight (kg/pcs)	HDG Code	Weight (kg/pcs)	HDG Code	Weight (kg/pcs)	HDG Code
040 KME 100 DD COVER	40	100	2	0,388	3269924	0,559	3269925	0,730	3269926
040 KME 200 DD COVER	40	200	2	0,704	3269930	1,014	3269931	1,324	3269932
040 KME 300 DD COVER	40	300	2	1,021	3269936	1,470	3269937	1,918	3269938
040 KME 400 DD COVER	40	400	2	1,338	3269939	1,925	3269940	2,512	3269941
040 KME 500 DD COVER	40	500	2	1,653	3269942	2,380	3269943	3,106	3269944
040 KME 600 DD COVER	40	600	2	1,970	3269945	2,836	3269946	3,702	3269947
050 KME 100 DD COVER	50	100	2	0,399	3269951	0,571	3269952	0,741	3269953
050 KME 200 DD COVER	50	200	2	0,725	3269957	1,035	3269958	1,345	3269959
050 KME 300 DD COVER	50	300	2	1,051	3269963	1,499	3269964	1,949	3269965
050 KME 400 DD COVER	50	400	2	1,376	3269966	1,965	3269967	2,552	3269968
050 KME 500 DD COVER	50	500	2	1,702	3269969	2,429	3269970	3,156	3269971
050 KME 600 DD COVER	50	600	2	2,027	3269972	2,893	3269973	3,759	3269974
060 KME 100 DD COVER	60	100	2	0,410	3269975	0,582	3269976	0,754	3269977
060 KME 200 DD COVER	60	200	2	0,746	3269981	1,056	3269982	1,366	3269983
060 KME 300 DD COVER	60	300	2	1,080	3269987	1,530	3269988	1,979	3269989
060 KME 400 DD COVER	60	400	2	1,416	3269990	2,003	3269991	2,592	3269992
060 KME 500 DD COVER	60	500	2	1,750	3269993	2,477	3269994	3,204	3269995
060 KME 600 DD COVER	60	600	2	2,086	3269996	2,951	3269997	3,816	3269998
075 KME 100 DD COVER	75	100	2	0,428	3269999	0,600	3270000	0,770	3270001
075 KME 200 DD COVER	75	200	2	0,777	3270005	1,087	3270006	1,397	3270007
075 KME 300 DD COVER	75	300	2	1,125	3270011	1,574	3270012	2,024	3270013
075 KME 400 DD COVER	75	400	2	1,474	3270014	2,063	3270015	2,650	3270016
075 KME 500 DD COVER	75	500	2	1,823	3270017	2,550	3270018	3,277	3270019
075 KME 600 DD COVER	75	600	2	2,173	3270020	3,037	3270021	3,903	3270022
100 KME 200 DD COVER	100	200	2	0,828	3270029	1,139	3270030	1,449	3270031
100 KME 300 DD COVER	100	300	2	1,200	3270035	1,649	3270036	2,099	3270037
100 KME 400 DD COVER	100	400	2	1,572	3270038	2,160	3270039	2,748	3270040
100 KME 500 DD COVER	100	500	2	1,945	3270041	2,671	3270042	3,398	3270043
100 KME 600 DD COVER	100	600	2	2,317	3270044	3,182	3270045	4,047	3270046
125 KME 200 DD COVER	125	200	2	0,880	3270050	1,190	3270051	1,500	3270052
125 KME 300 DD COVER	125	300	2	1,275	3270056	1,724	3270057	2,174	3270058
125 KME 400 DD COVER	125	400	2	1,670	3270059	2,258	3270060	2,846	3270061
125 KME 500 DD COVER	125	500	2	2,066	3270062	2,792	3270063	3,519	3270064
125 KME 600 DD COVER	125	600	2	2,461	3270065	3,326	3270066	4,191	3270067
150 KME 200 DD COVER	150	200	2	0,932	3270068	1,242	3270069	1,552	3270070
150 KME 300 DD COVER	150	300	2	1,350	3270074	1,799	3270075	2,248	3270076
150 KME 400 DD COVER	150	400	2	1,769	3270077	2,356	3270078	2,944	3270079
150 KME 500 DD COVER	150	500	2	2,187	3270080	2,913	3270081	3,640	3270082
150 KME 600 DD COVER	150	600	2	2,605	3270083	3,471	3270084	4,336	3270085



■ Please contact your representative for inquiries regarding stainless steel alternatives.

■ Please indicate product code in your orders.

■ Please contact us for special dimensions.

■ Material weights may vary by ± 10%

■ All dimensions are given as in mm

■ PG= Pre-Galvanized

■ HDG= Hot Dip Galvanized

Description	H (mm)	A (mm)	T (mm)	R300		R450		R600	
				Weight (kg/pcs)	HDG Code	Weight (kg/pcs)	HDG Code	Weight (kg/pcs)	HDG Code
040 KME 100 DD COVER	40	100	2	0,601	3270089	0,865	3270090	1,130	3270091
040 KME 200 DD COVER	40	200	2	1,089	3270095	1,569	3270096	2,048	3270097
040 KME 300 DD COVER	40	300	2	1,579	3270101	2,273	3270102	2,967	3270103
040 KME 400 DD COVER	40	400	2	2,068	3270104	2,977	3270105	3,885	3270106
040 KME 500 DD COVER	40	500	2	2,556	3270107	3,680	3270108	4,804	3270109
040 KME 600 DD COVER	40	600	2	3,046	3270110	4,384	3270111	5,721	3270112
050 KME 100 DD COVER	50	100	2	0,618	3270116	0,883	3270117	1,147	3270118
050 KME 200 DD COVER	50	200	2	1,121	3270122	1,601	3270123	2,080	3270124
050 KME 300 DD COVER	50	300	2	1,625	3270128	2,319	3270129	3,013	3270130
050 KME 400 DD COVER	50	400	2	2,129	3270131	3,037	3270132	3,946	3270133
050 KME 500 DD COVER	50	500	2	2,631	3270134	3,754	3270135	4,879	3270136
050 KME 600 DD COVER	50	600	2	3,135	3270137	4,473	3270138	5,810	3270139
060 KME 100 DD COVER	60	100	2	0,636	3270140	0,901	3270141	1,165	3270142
060 KME 200 DD COVER	60	200	2	1,153	3270146	1,632	3270147	2,112	3270148
060 KME 300 DD COVER	60	300	2	1,671	3270152	2,365	3270153	3,059	3270154
060 KME 400 DD COVER	60	400	2	2,189	3270155	3,098	3270156	4,006	3270157
060 KME 500 DD COVER	60	500	2	2,706	3270158	3,829	3270159	4,953	3270160
060 KME 600 DD COVER	60	600	2	3,224	3270161	4,562	3270162	5,899	3270163
075 KME 100 DD COVER	75	100	2	0,662	3270164	0,927	3270165	1,191	3270166
075 KME 200 DD COVER	75	200	2	1,201	3270170	1,681	3270171	2,160	3270172
075 KME 300 DD COVER	75	300	2	1,740	3270176	2,434	3270177	3,128	3270178
075 KME 400 DD COVER	75	400	2	2,279	3270179	3,188	3270180	4,096	3270181
075 KME 500 DD COVER	75	500	2	2,818	3270182	3,942	3270183	5,066	3270184
075 KME 600 DD COVER	75	600	2	3,358	3270185	4,696	3270186	6,034	3270187
100 KME 200 DD COVER	100	200	2	1,282	3270194	1,761	3270195	2,240	3270196
100 KME 300 DD COVER	100	300	2	1,856	3270200	2,550	3270201	3,244	3270202
100 KME 400 DD COVER	100	400	2	2,431	3270203	3,340	3270204	4,248	3270205
100 KME 500 DD COVER	100	500	2	3,006	3270206	4,129	3270207	5,253	3270208
100 KME 600 DD COVER	100	600	2	3,581	3270209	4,919	3270210	6,257	3270211
125 KME 200 DD COVER	125	200	2	1,361	3270215	1,840	3270216	2,320	3270217
125 KME 300 DD COVER	125	300	2	1,971	3270221	2,665	3270222	3,359	3270223
125 KME 400 DD COVER	125	400	2	2,583	3270224	3,491	3270225	4,401	3270226
125 KME 500 DD COVER	125	500	2	3,193	3270227	4,316	3270228	5,440	3270229
125 KME 600 DD COVER	125	600	2	3,804	3270230	5,141	3270231	6,480	3270232
150 KME 200 DD COVER	150	200	2	1,441	3270233	1,921	3270234	2,400	3270235
150 KME 300 DD COVER	150	300	2	2,088	3270239	2,782	3270240	3,476	3270241
150 KME 400 DD COVER	150	400	2	2,734	3270242	3,642	3270243	4,551	3270244
150 KME 500 DD COVER	150	500	2	3,380	3270245	4,503	3270246	5,627	3270247
150 KME 600 DD COVER	150	600	2	4,027	3270248	5,365	3270249	6,702	3270250



■ Please contact your representative for inquiries regarding stainless steel alternatives.

■ Please indicate product code in your orders.

■ Please contact us for special dimensions.

■ Material weights may vary by ± 10%

■ PG= Pre-Galvanized

■ All dimensions are given as in mm

■ HDG= Hot Dip Galvanized

►► BEND COVERS

► KME Vertical Outside Bend(60°) (R300, R450, R600) Hot Dip Galvanized (TS EN ISO 1461)

Description	H (mm)	A (mm)	T (mm)	R300		R450		R600	
				Weight (kg/pcs)	HDG Code	Weight (kg/pcs)	HDG Code	Weight (kg/pcs)	HDG Code
040 KME 100 DD COVER	40	100	2	0,774	3269757	1,120	3269758	1,465	3269759
040 KME 200 DD COVER	40	200	2	1,404	3269763	2,027	3269764	2,650	3269765
040 KME 300 DD COVER	40	300	2	2,033	3269769	2,934	3269770	3,835	3269771
040 KME 400 DD COVER	40	400	2	2,662	3269772	3,841	3269773	5,019	3269774
040 KME 500 DD COVER	40	500	2	3,291	3269775	4,748	3269776	6,204	3269777
040 KME 600 DD COVER	40	600	2	3,920	3269778	5,654	3269779	7,388	3269780
050 KME 100 DD COVER	50	100	2	0,798	3269784	1,143	3269785	1,488	3269786
050 KME 200 DD COVER	50	200	2	1,445	3269790	2,068	3269791	2,692	3269792
050 KME 300 DD COVER	50	300	2	2,093	3269796	2,994	3269797	3,895	3269798
050 KME 400 DD COVER	50	400	2	2,741	3269799	3,919	3269800	5,097	3269801
050 KME 500 DD COVER	50	500	2	3,389	3269802	4,844	3269803	6,301	3269804
050 KME 600 DD COVER	50	600	2	4,036	3269805	5,770	3269806	7,504	3269807
060 KME 100 DD COVER	60	100	2	0,821	3269808	1,166	3269809	1,511	3269810
060 KME 200 DD COVER	60	200	2	1,487	3269814	2,110	3269815	2,734	3269816
060 KME 300 DD COVER	60	300	2	2,153	3269820	3,054	3269821	3,955	3269822
060 KME 400 DD COVER	60	400	2	2,819	3269823	3,997	3269824	5,177	3269825
060 KME 500 DD COVER	60	500	2	3,486	3269826	4,941	3269827	6,398	3269828
060 KME 600 DD COVER	60	600	2	4,151	3269829	5,886	3269830	7,620	3269831
075 KME 100 DD COVER	75	100	2	0,856	3269832	1,201	3269833	1,547	3269834
075 KME 200 DD COVER	75	200	2	1,549	3269838	2,173	3269839	2,795	3269840
075 KME 300 DD COVER	75	300	2	2,243	3269844	3,144	3269845	4,045	3269846
075 KME 400 DD COVER	75	400	2	2,937	3269847	4,116	3269848	5,294	3269849
075 KME 500 DD COVER	75	500	2	3,631	3269850	5,088	3269851	6,544	3269852
075 KME 600 DD COVER	75	600	2	4,325	3269853	6,059	3269854	7,792	3269855
100 KME 200 DD COVER	100	200	2	1,653	3269862	2,276	3269863	2,900	3269864
100 KME 300 DD COVER	100	300	2	2,394	3269868	3,295	3269869	4,195	3269870
100 KME 400 DD COVER	100	400	2	3,134	3269871	4,312	3269872	5,490	3269873
100 KME 500 DD COVER	100	500	2	3,874	3269874	5,330	3269875	6,786	3269876
100 KME 600 DD COVER	100	600	2	4,615	3269877	6,348	3269878	8,082	3269879
125 KME 200 DD COVER	125	200	2	1,757	3269883	2,380	3269884	3,003	3269885
125 KME 300 DD COVER	125	300	2	2,543	3269889	3,444	3269890	4,345	3269891
125 KME 400 DD COVER	125	400	2	3,330	3269892	4,509	3269893	5,687	3269894
125 KME 500 DD COVER	125	500	2	4,116	3269895	5,573	3269896	7,029	3269897
125 KME 600 DD COVER	125	600	2	4,903	3269898	6,637	3269899	8,371	3269900
150 KME 200 DD COVER	150	200	2	1,857	3269901	2,484	3269902	3,108	3269903
150 KME 300 DD COVER	150	300	2	2,687	3269907	3,595	3269908	4,496	3269909
150 KME 400 DD COVER	150	400	2	3,519	3269910	4,705	3269911	5,883	3269912
150 KME 500 DD COVER	150	500	2	4,349	3269913	5,816	3269914	7,271	3269915
150 KME 600 DD COVER	150	600	2	5,181	3269916	6,926	3269917	8,659	3269918



■ Please contact your representative for inquiries regarding stainless steel alternatives.

■ Please indicate product code in your orders.

■ Please contact us for special dimensions.

■ Material weights may vary by ± 10%

■ All dimensions are given as in mm

■ PG= Pre-Galvanized

■ HDG= Hot Dip Galvanized

Description	H (mm)	A (mm)	T (mm)	R300		R450		R600	
				Weight (kg/pcs)	HDG Code	Weight (kg/pcs)	HDG Code	Weight (kg/pcs)	HDG Code
040 KME 100 DD COVER	40	100	2	0,854	3005140	1,123	3005195	1,393	3005250
040 KME 200 DD COVER	40	200	2	1,539	3005142	2,023	3005197	2,507	3005252
040 KME 300 DD COVER	40	300	2	2,224	3005144	2,923	3005199	3,621	3005254
040 KME 400 DD COVER	40	400	2	2,910	3005145	3,823	3005200	4,736	3005255
040 KME 500 DD COVER	40	500	2	3,595	3005146	4,722	3005201	5,850	3005256
040 KME 600 DD COVER	40	600	2	4,280	3005147	5,622	3005202	6,964	3005257
050 KME 100 DD COVER	50	100	2	0,890	3005149	1,159	3005204	1,428	3005259
050 KME 200 DD COVER	50	200	2	1,604	3005151	2,088	3005206	2,572	3005261
050 KME 300 DD COVER	50	300	2	2,318	3005153	3,016	3005208	3,715	3005263
050 KME 400 DD COVER	50	400	2	3,032	3005154	3,945	3005209	4,858	3005264
050 KME 500 DD COVER	50	500	2	3,746	3005155	4,873	3005210	6,001	3005265
050 KME 600 DD COVER	50	600	2	4,459	3005156	5,801	3005211	7,143	3005266
060 KME 100 DD COVER	60	100	2	0,926	3005157	1,195	3005212	1,464	3005267
060 KME 200 DD COVER	60	200	2	1,669	3005159	2,152	3005214	2,636	3005269
060 KME 300 DD COVER	60	300	2	2,411	3005161	3,109	3005216	3,807	3005271
060 KME 400 DD COVER	60	400	2	3,153	3005162	4,066	3005217	4,979	3005272
060 KME 500 DD COVER	60	500	2	3,895	3005163	5,023	3005218	6,151	3005273
060 KME 600 DD COVER	60	600	2	4,638	3005164	5,981	3005219	7,323	3005274
075 KME 100 DD COVER	75	100	2	0,980	3005165	1,249	3005220	1,518	3005275
075 KME 200 DD COVER	75	200	2	1,766	3005167	2,248	3005222	2,732	3005277
075 KME 300 DD COVER	75	300	2	2,551	3005169	3,248	3005224	3,947	3005279
075 KME 400 DD COVER	75	400	2	3,335	3005170	4,248	3005225	5,161	3005280
075 KME 500 DD COVER	75	500	2	4,121	3005171	5,248	3005226	6,377	3005281
075 KME 600 DD COVER	75	600	2	4,906	3005172	6,249	3005227	7,591	3005282
100 KME 200 DD COVER	100	200	2	1,926	3005175	2,410	3005230	2,894	3005285
100 KME 300 DD COVER	100	300	2	2,783	3005177	3,482	3005232	4,180	3005287
100 KME 400 DD COVER	100	400	2	3,640	3005178	4,553	3005233	5,466	3005288
100 KME 500 DD COVER	100	500	2	4,497	3005179	5,624	3005234	6,752	3005289
100 KME 600 DD COVER	100	600	2	5,354	3005180	6,696	3005235	8,038	3005290
125 KME 200 DD COVER	125	200	2	2,088	3005182	2,572	3005237	3,055	3005292
125 KME 300 DD COVER	125	300	2	3,016	3005184	3,715	3005239	4,413	3005294
125 KME 400 DD COVER	125	400	2	3,945	3005185	4,858	3005240	5,771	3005295
125 KME 500 DD COVER	125	500	2	4,873	3005186	6,001	3005241	7,128	3005296
125 KME 600 DD COVER	125	600	2	5,801	3005187	7,143	3005242	8,485	3005297
150 KME 200 DD COVER	150	200	2	2,248	3005188	2,732	3005243	3,216	3005298
150 KME 300 DD COVER	150	300	2	3,248	3005190	3,947	3005245	4,645	3005300
150 KME 400 DD COVER	150	400	2	4,248	3005191	5,161	3005246	6,074	3005301
150 KME 500 DD COVER	150	500	2	5,248	3005192	6,377	3005247	7,504	3005302
150 KME 600 DD COVER	150	600	2	6,249	3005193	7,591	3005248	8,933	3005303



- Please contact your representative for inquiries regarding stainless steel alternatives.
- Please indicate product code in your orders.
- Please contact us for special dimensions.
- Material weights may vary by ± 10%

- All dimensions are given as in mm
- PG= Pre-Galvanized
- HDG= Hot Dip Galvanized

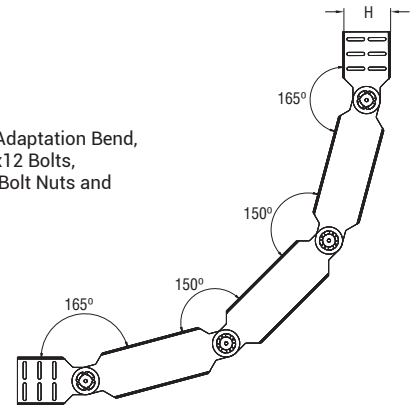
►► KME LEVEL ADAPTATION BEND

Hot Dip Galvanized (TS EN ISO 1461)

Description	H (mm)	A (mm)	T (mm)	Weight (kg/pcs)	HDG Code
040 KME 100 SDM	40	100	2	2,492	3001527
040 KME 200 SDM	40	200	2	2,916	3001528
040 KME 300 SDM	40	300	2	3,342	3001529
040 KME 400 SDM	40	400	2	4,290	3001530
040 KME 500 SDM	40	500	2	4,847	3001531
040 KME 600 SDM	40	600	2	5,402	3001532
050 KME 100 SDM	50	100	2	2,764	3001533
050 KME 200 SDM	50	200	2	3,190	3001534
050 KME 300 SDM	50	300	2	3,615	3001535
050 KME 400 SDM	50	400	2	4,563	3001536
050 KME 500 SDM	50	500	2	5,119	3001537
050 KME 600 SDM	50	600	2	5,675	3001538
060 KME 100 SDM	60	100	2	3,133	3001539
060 KME 200 SDM	60	200	2	3,559	3001540
060 KME 300 SDM	60	300	2	3,983	3001541
060 KME 400 SDM	60	400	2	4,931	3001542
060 KME 500 SDM	60	500	2	5,488	3001543
060 KME 600 SDM	60	600	2	6,043	3001544
075 KME 100 SDM	75	100	2	3,571	3001545
075 KME 200 SDM	75	200	2	3,996	3001546
075 KME 300 SDM	75	300	2	4,421	3001547
075 KME 400 SDM	75	400	2	5,370	3001548
075 KME 500 SDM	75	500	2	5,926	3001549
075 KME 600 SDM	75	600	2	6,482	3001550
100 KME 200 SDM	100	200	2	4,521	3001551
100 KME 300 SDMs	100	300	2	4,733	3001552
100 KME 400 SDM	100	400	2	4,946	3001553
100 KME 500 SDM	100	500	2	5,895	3001554
100 KME 600 SDM	100	600	2	6,450	3001555
125 KME 200 SDM	125	200	2	5,484	3002413
125 KME 300 SDM	125	300	2	5,909	3002414
125 KME 400 SDM	125	400	2	6,857	3002415
125 KME 500 SDM	125	500	2	7,413	3002416
125 KME 600 SDM	125	600	2	7,970	3002417
150 KME 200 SDM	150	200	2	6,069	3002418
150 KME 300 SDM	150	300	2	6,493	3002419
150 KME 400 SDM	150	400	2	7,442	3002420
150 KME 500 SDM	150	500	2	7,998	3002421
150 KME 600 SDM	150	600	2	8,554	3002422



Includes:
 1 Unit of Level Adaptation Bend,
 16 Units of M6x12 Bolts,
 16 Units of M6 Bolt Nuts and
 4 Units of SDE.



- Please contact your representative for inquiries regarding stainless steel alternatives.
- Please indicate product code in your orders.
- Please contact us for special dimensions.
- Material weights may vary by $\pm 10\%$

- All dimensions are given as in mm
- PG= Pre-Galvanized
- HDG= Hot Dip Galvanized

►► KME LEVEL ADAPTATION BEND COVER

Hot Dip Galvanized (TS EN ISO 1461)

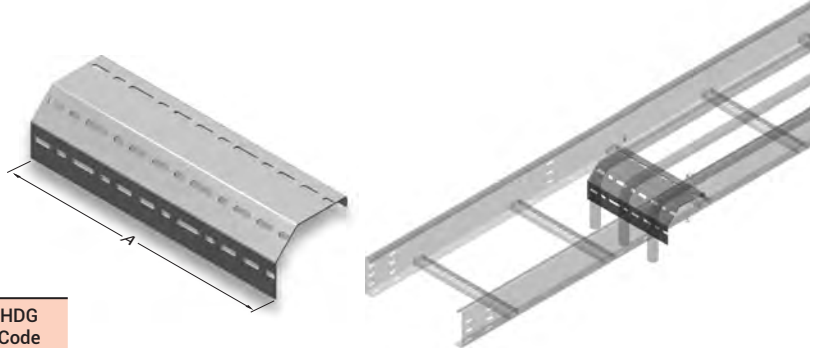
Description	A (mm)	T (mm)	Weight (kg/pcs)	HDG Code
040-050-060 KME 100 SDM COVER	100	2	0,419	3253426
040-050-060 KME 200 SDM COVER	200	2	0,765	3253428
040-050-060 KME 300 SDM COVER	300	2	1,110	3253430
040-050-060 KME 400 SDM COVER	400	2	1,455	3253431
040-050-060 KME 500 SDM COVER	500	2	1,801	3253432
040-050-060 KME 600 SDM COVER	600	2	2,146	3253433
075-100 KME 100 SDM COVER	100	2	0,356	3253435
075-100 KME 200 SDM COVER	200	2	0,650	3253437
075-100 KME 300 SDM COVER	300	2	0,944	3253441
075-100 KME 400 SDM COVER	400	2	1,238	3253442
075-100 KME 500 SDM COVER	500	2	1,531	3253443
075-100 KME 600 SDM COVER	600	2	1,825	3253444
125-150 KME 200 SDM COVER	200	2	0,573	3253446
125-150 KME 300 SDM COVER	300	2	0,833	3253448
125-150 KME 400 SDM COVER	400	2	1,091	3253449
125-150 KME 500 SDM COVER	500	2	1,351	3253450
125-150 KME 600 SDM COVER	600	2	1,609	3253451



► KME Exit Accessory

Hot Dip Galvanized (TS EN ISO 1461)

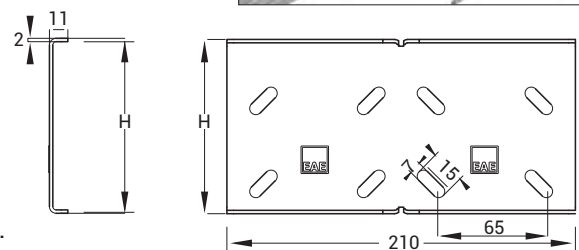
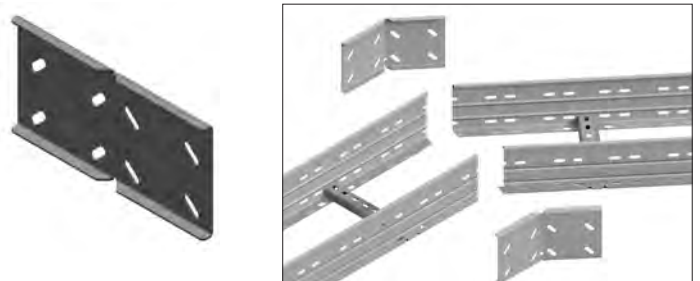
Description	A (mm)	T (mm)	Weight (kg/pcs)	HDG Code
100 EXIT ACCESSORY	50	2	0,139	3030317
200 EXIT ACCESSORY	150	2	0,442	3001150
300 EXIT ACCESSORY	250	2	0,743	3001151
400 EXIT ACCESSORY	350	2	1,042	3001152
500 EXIT ACCESSORY	450	2	1,340	3001153
600 EXIT ACCESSORY	550	2	1,655	3001154



► KME Notched Joint Fitting

Hot Dip Galvanized (TS EN ISO 1461)

Description	H (mm)	T (mm)	Weight (kg/pcs)	HDG Code
040 KME NOTCHED JOIN FITTING	45	1,2	0,124	3380382
050 KME NOTCHED JOIN FITTING	55	1,2	0,146	3380383
060 KME NOTCHED JOIN FITTING	65	1,2	0,167	3380384
040 KME NOTCHED JOIN FITTING	45	1,5	0,155	3380385
050 KME NOTCHED JOIN FITTING	55	1,5	0,182	3380386
060 KME NOTCHED JOIN FITTING	65	1,5	0,209	3380387
075 KME NOTCHED JOIN FITTING	80	1,5	0,245	3380388
100 KME NOTCHED JOIN FITTING	105	1,5	0,311	3380389
125 KME NOTCHED JOIN FITTING	130	1,5	0,373	3380390
150 KME NOTCHED JOIN FITTING	155	1,5	0,440	3380391
040 KME NOTCHED JOIN FITTING	45	2	0,207	3187841
050 KME NOTCHED JOIN FITTING	55	2	0,243	3187842
060 KME NOTCHED JOIN FITTING	65	2	0,278	3187843
075 KME NOTCHED JOIN FITTING	80	2	0,326	3187844
100 KME NOTCHED JOIN FITTING	105	2	0,415	3187845
125 KME NOTCHED JOIN FITTING	130	2	0,497	3187846
150 KME NOTCHED JOIN FITTING	155	2	0,586	3187847



- Please contact your representative for inquiries regarding stainless steel alternatives.
- Please indicate product code in your orders.
- Please contact us for special dimensions.
- Material weights may vary by ± 10%

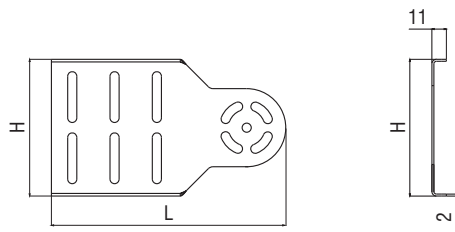
- All dimensions are given as in mm
- PG= Pre-Galvanized
- HDG= Hot Dip Galvanized

►► KME LEVEL ADAPTATION JOINT

Hot Dip Galvanized (TS EN ISO 1461)

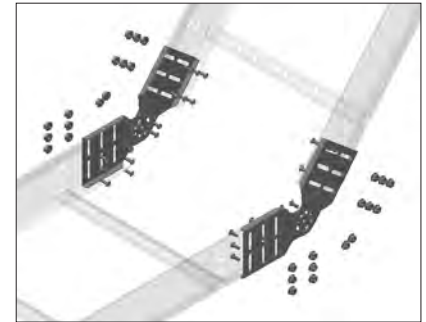
Description	H (mm)	Number of Packages (pc)	T=1,2		T=1,5		T=2	
			Weight (kg/pcs)	HDG Code	Weight (kg/pcs)	HDG Code	Weight (kg/pcs)	HDG Code
040 SDE	40	10	0,344	3300945	0,420	3300950	0,548	3005394
050 SDE	50	10	0,396	3300946	0,484	3300951	0,636	3006951
060 SDE	60	10	0,428	3300947	0,524	3300952	0,688	3005392
075 SDE	75	10	0,548	3300948	0,676	3300953	0,888	3006949
100 SDE	100	10	0,652	3300949	0,804	3300954	1,060	3006947
125 SDE	125	10	-	-	1,072	3300955	1,412	3003326
150 SDE	150	10	-	-	1,176	3300956	1,556	3003327

Level Adaptation Joint



Level adaptation joint set contains right and left vertical adjustable joint Units and 4 M6x12 bolt set.

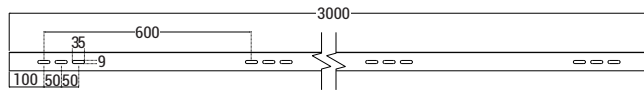
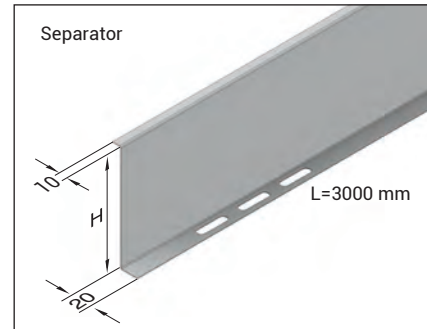
40/50/60 KME-SDE L=160
75/100 KME-SDE L=180
125/150 KME-SDE L=180



►► KME Separator

Hot Dip Galvanized (TS EN ISO 1461)

Description	H (mm)	T (mm)	Weight (kg/m)	HDG Code
040 KME Separator	18	0,8	0,292	3234578
050 KME Separator	28	0,8	0,361	3234580
060 KME Separator	38	0,8	0,416	3234582
075 KME Separator	53	1	0,675	3234583
100 KME Separator	78	1	0,891	3234584
125 KME Separator	103	1	1,081	3234585
150 KME Separator	128	1	1,323	3234586



■ Please contact your representative for inquiries regarding stainless steel alternatives.

■ Please indicate product code in your orders.

■ Please contact us for special dimensions.

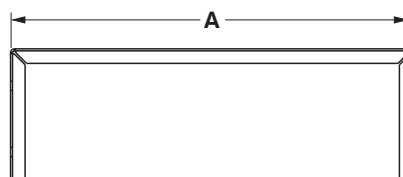
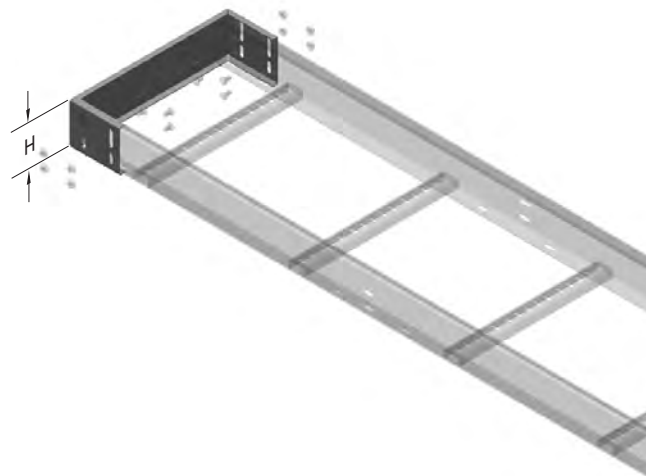
■ Material weights may vary by $\pm 10\%$

■ All dimensions are given as in mm

■ PG= Pre-Galvanized

■ HDG= Hot Dip Galvanized

Description	H (mm)	A (mm)	T (mm)	Weight (kg/pcs)	HDG Code
040 KME 100	40	100	2	0,282	3030319
040 KME 200	40	200	2	0,391	3030321
040 KME 300	40	300	2	0,491	3030323
040 KME 400	40	400	2	0,593	3030324
040 KME 500	40	500	2	0,701	3030325
040 KME 600	40	600	2	0,803	3030326
050 KME 100	50	100	2	0,333	3030328
050 KME 200	50	200	2	0,454	3030330
050 KME 300	50	300	2	0,576	3030332
050 KME 400	50	400	2	0,697	3030333
050 KME 500	50	500	2	0,818	3030334
050 KME 600	50	600	2	0,941	3030335
060 KME 100	60	100	2	0,381	3030336
060 KME 200	60	200	2	0,519	3030338
060 KME 300	60	300	2	0,657	3030340
060 KME 400	60	400	2	0,797	3030341
060 KME 500	60	500	2	0,935	3030342
060 KME 600	60	600	2	1,074	3030343
075 KME 100	75	100	2	0,449	3030344
075 KME 200	75	200	2	0,614	3030346
075 KME 300	75	300	2	0,779	3030348
075 KME 400	75	400	2	0,944	3030349
075 KME 500	75	500	2	1,109	3030350
075 KME 600	75	600	2	1,273	3030351
100 KME 100	100	100	2	0,568	3030352
100 KME 200	100	200	2	0,776	3030354
100 KME 300	100	300	2	0,984	3030356
100 KME 400	100	400	2	1,192	3030357
100 KME 500	100	500	2	1,411	3030358
100 KME 600	100	600	2	1,608	3030359
125 KME 200	125	200	2	0,943	3030361
125 KME 300	125	300	2	1,194	3030363
125 KME 400	125	400	2	1,445	3030364
125 KME 500	125	500	2	1,697	3030365
125 KME 600	125	600	2	1,947	3030366
150 KME 200	150	200	2	1,103	3030367
150 KME 300	150	300	2	1,396	3030369
150 KME 400	150	400	2	1,691	3030370
150 KME 500	150	500	2	1,985	3030371
150 KME 600	150	600	2	2,281	3030372



- Please contact your representative for inquiries regarding stainless steel alternatives.
- Please indicate product code in your orders.
- Please contact us for special dimensions.
- Material weights may vary by $\pm 10\%$

- All dimensions are given as in mm
- PG= Pre-Galvanized
- HDG= Hot Dip Galvanized

►► KME FIXING UNITS

Pre-Galvanized (TS EN 10346 - TS EN 10143)

►► KME FIXING UNIT

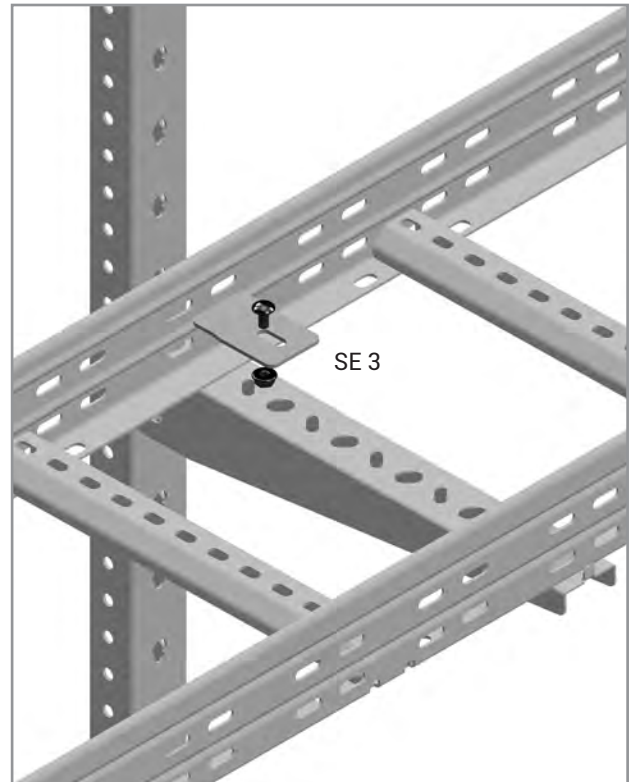
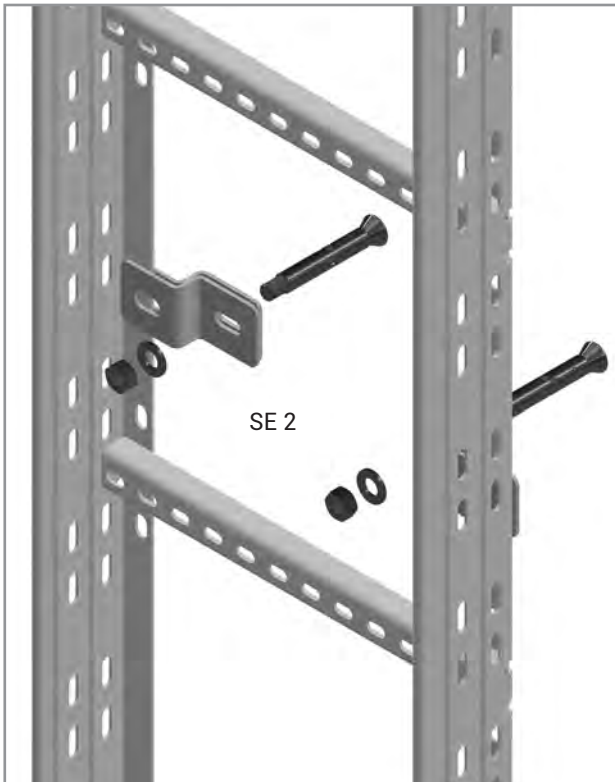
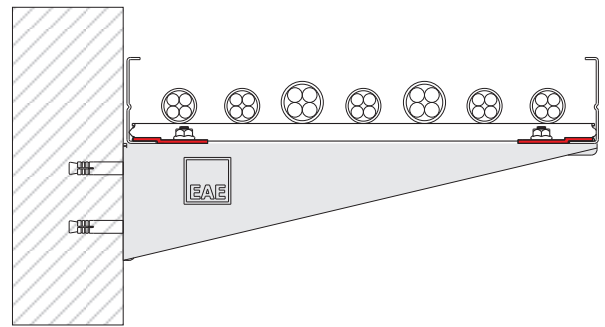
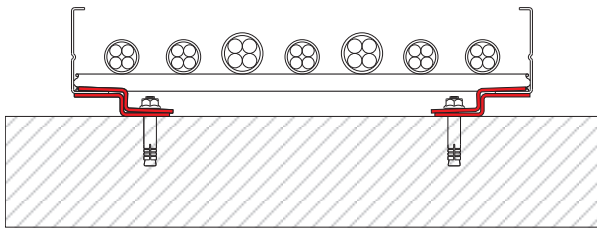
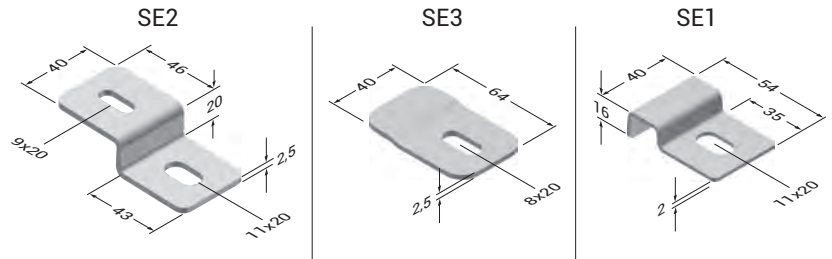
Alkali Zinc

Description	Weight (kg/pcs)	PG Code
SE1 KME FIXING UNIT	0,046	3026173

►► KME FIXING UNIT

Alkali Zinc

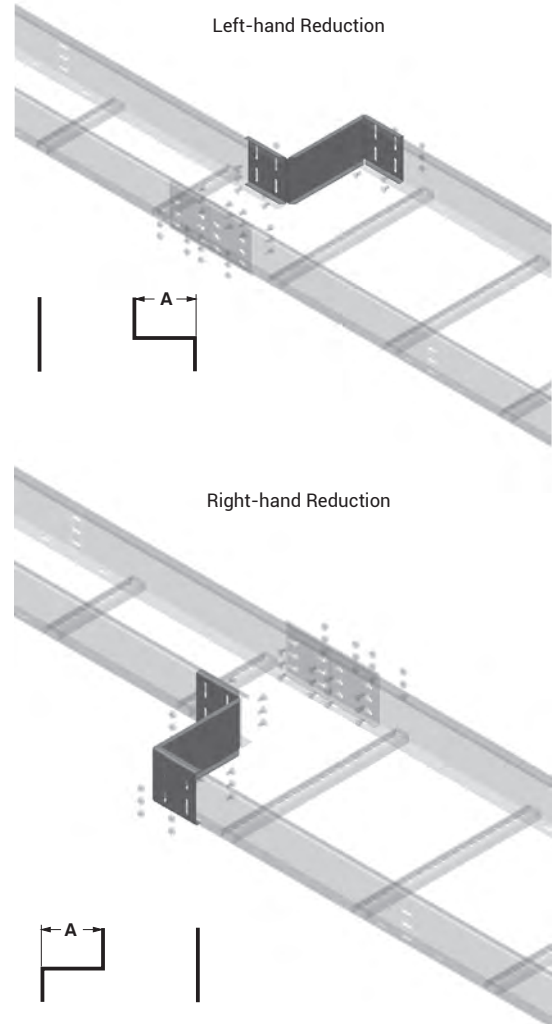
Description	Weight (kg/pcs)	Order Code
SE2 KME FIXING UNITS	0,079	3006651
SE3 KME FIXING UNITS	0,049	3006650



- Please contact your representative for inquiries regarding stainless steel alternatives.
- Please indicate product code in your orders.
- Please contact us for special dimensions.
- Material weights may vary by $\pm 10\%$

- All dimensions are given as in mm
- PG= Pre-Galvanized
- HDG= Hot Dip Galvanized

Description	H (mm)	A (mm)	T (mm)	Weight (kg/pcs)	HDG Code
40 KME RD 25	40	25	2	0,206	3002260
40 KME RD 50	40	50	2	0,232	3002262
40 KME RD100	40	100	2	0,284	3002264
40 KME RD150	40	150	2	0,337	3002266
40 KME RD200	40	200	2	0,388	3002268
40 KME RD250	40	250	2	0,441	3002270
40 KME RD300	40	300	2	0,493	3002272
50 KME RD 25	50	25	2	0,244	3002274
50 KME RD 50	50	50	2	0,275	3002276
50 KME RD100	50	100	2	0,336	3002278
50 KME RD150	50	150	2	0,396	3002280
50 KME RD200	50	200	2	0,457	3002282
50 KME RD250	50	250	2	0,518	3002284
50 KME RD300	50	300	2	0,579	3002286
60 KME RD 25	60	25	2	0,274	3002288
60 KME RD 50	60	50	2	0,308	3002290
60 KME RD100	60	100	2	0,377	3002292
60 KME RD150	60	150	2	0,447	3002294
60 KME RD200	60	200	2	0,517	3002296
60 KME RD250	60	250	2	0,586	3002298
60 KME RD300	60	300	2	0,656	3002300
75 KME RD 25	75	25	2	0,323	3002302
75 KME RD 50	75	50	2	0,365	3002304
75 KME RD100	75	100	2	0,448	3002306
75 KME RD150	75	150	2	0,530	3002308
75 KME RD200	75	200	2	0,612	3002310
75 KME RD250	75	250	2	0,694	3002312
75 KME RD300	75	300	2	0,777	3002314
100 KME RD 25	100	25	2	0,419	3002316
100 KME RD 50	100	50	2	0,472	3002318
100 KME RD100	100	100	2	0,575	3002320
100 KME RD150	100	150	2	0,680	3002322
100 KME RD200	100	200	2	0,783	3002324
100 KME RD250	100	250	2	0,888	3002326
100 KME RD300	100	300	2	0,991	3002328
125 KME RD 25	125	25	2	0,510	3003332
125 KME RD 50	125	50	2	0,573	3003333
125 KME RD 100	125	100	2	0,699	3003334
125 KME RD 150	125	150	2	0,825	3003335
125 KME RD 200	125	200	2	0,950	3003336
125 KME RD 250	125	250	2	1,076	3003337
125 KME RD 300	125	300	2	1,201	3003338
150 KME RD 25	150	25	2	0,596	3003339
150 KME RD 50	150	50	2	0,670	3003340
150 KME RD 100	150	100	2	0,817	3003341
150 KME RD 150	150	150	2	0,964	3003342
150 KME RD 200	150	200	2	1,111	3003343
150 KME RD 250	150	250	2	1,258	3003344
150 KME RD 300	150	300	2	1,406	3003345

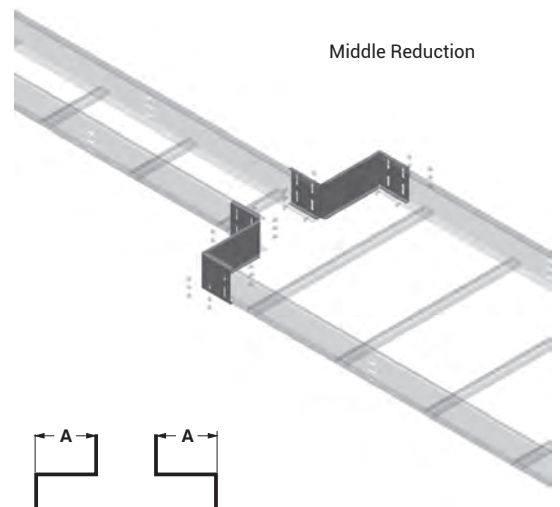


KM

- Please contact your representative for inquiries regarding stainless steel alternatives.
- Please indicate product code in your orders.
- Please contact us for special dimensions.
- Material weights may vary by ± 10%

- All dimensions are given as in mm
- PG= Pre-Galvanized
- HDG= Hot Dip Galvanized

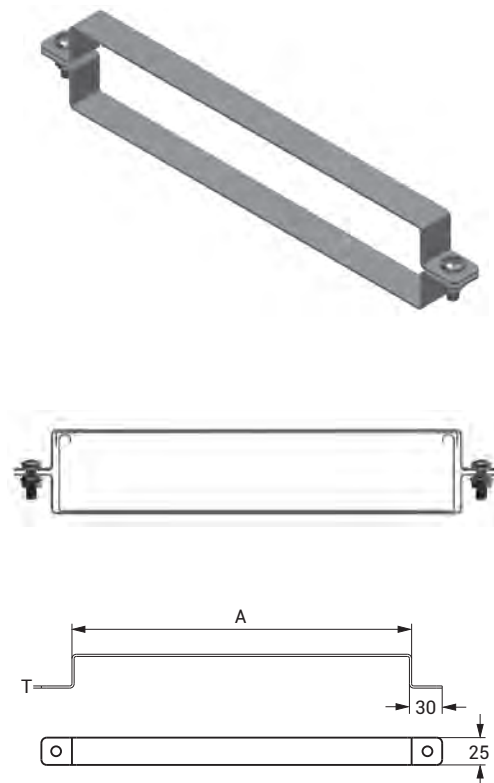
Description	H (mm)	A (mm)	T (mm)	Weight (kg/pcs)	HDG Code
40 KME RD 25	40	25	2	0,411	3006059
40 KME RD 50	40	50	2	0,464	3006057
40 KME RD100	40	100	2	0,568	3006055
40 KME RD150	40	150	2	0,673	3006053
40 KME RD200	40	200	2	0,777	3006051
40 KME RD250	40	250	2	0,882	3006049
40 KME RD300	40	300	2	0,986	3006047
50 KME RD 25	50	25	2	0,488	3006045
50 KME RD 50	50	50	2	0,550	3006043
50 KME RD100	50	100	2	0,671	3006041
50 KME RD150	50	150	2	0,792	3006039
50 KME RD200	50	200	2	0,913	3006037
50 KME RD250	50	250	2	1,036	3006035
50 KME RD300	50	300	2	1,157	3006033
60 KME RD 25	60	25	2	0,548	3006031
60 KME RD 50	60	50	2	0,616	3006029
60 KME RD100	60	100	2	0,755	3006027
60 KME RD150	60	150	2	0,893	3006025
60 KME RD200	60	200	2	1,034	3006023
60 KME RD250	60	250	2	1,173	3006021
60 KME RD300	60	300	2	1,311	3006019
75 KME RD 25	75	25	2	0,647	3006935
75 KME RD 50	75	50	2	0,730	3006933
75 KME RD100	75	100	2	0,895	3006931
75 KME RD150	75	150	2	1,060	3006929
75 KME RD200	75	200	2	1,223	3006927
75 KME RD250	75	250	2	1,388	3006925
75 KME RD300	75	300	2	1,553	3006923
100 KME RD 25	100	25	2	0,838	3006921
100 KME RD 50	100	50	2	0,944	3006919
100 KME RD100	100	100	2	1,151	3006917
100 KME RD150	100	150	2	1,360	3006915
100 KME RD200	100	200	2	1,566	3006913
100 KME RD250	100	250	2	1,775	3006911
100 KME RD300	100	300	2	1,982	3006909
125 KME RD 25	125	25	2	1,021	3003346
125 KME RD 50	125	50	2	1,146	3003347
125 KME RD 100	125	100	2	1,397	3003348
125 KME RD 150	125	150	2	1,650	3003349
125 KME RD 200	125	200	2	1,901	3003350
125 KME RD 250	125	250	2	2,152	3003351
125 KME RD 300	125	300	2	2,402	3003352
150 KME RD 25	150	25	2	1,192	3003353
150 KME RD 50	150	50	2	1,340	3003354
150 KME RD 100	150	100	2	1,635	3003355
150 KME RD 150	150	150	2	1,927	3003356
150 KME RD 200	150	200	2	2,222	3003357
150 KME RD 250	150	250	2	2,517	3003358
150 KME RD 300	150	300	2	2,812	3003359



- Please contact your representative for inquiries regarding stainless steel alternatives.
- Please indicate product code in your orders.
- Please contact us for special dimensions.
- Material weights may vary by ± 10%

- All dimensions are given as in mm
- PG= Pre-Galvanized
- HDG= Hot Dip Galvanized

Description	A (mm)	T (mm)	Weight (kg/pcs)	HDG Code
40 KME OMEGA CLAMP 100	111	2	0,167	3137731
40 KME OMEGA CLAMP 200	211	2	0,253	3137733
40 KME OMEGA CLAMP 300	311	2	0,341	3137735
40 KME OMEGA CLAMP 400	411	2	0,427	3137736
40 KME OMEGA CLAMP 500	511	2	0,513	3137737
40 KME OMEGA CLAMP 600	611	2	0,598	3137738
50 KME OMEGA CLAMP 100	111	2	0,176	3137740
50 KME OMEGA CLAMP 200	211	2	0,262	3137742
50 KME OMEGA CLAMP 300	311	2	0,350	3137744
50 KME OMEGA CLAMP 400	411	2	0,436	3137745
50 KME OMEGA CLAMP 500	511	2	0,521	3137747
50 KME OMEGA CLAMP 600	611	2	0,607	3137748
60 KME OMEGA CLAMP 100	111	2	0,185	3137795
60 KME OMEGA CLAMP 200	211	2	0,271	3137797
60 KME OMEGA CLAMP 300	311	2	0,356	3137799
60 KME OMEGA CLAMP 400	411	2	0,444	3137800
60 KME OMEGA CLAMP 500	511	2	0,530	3137801
60 KME OMEGA CLAMP 600	611	2	0,616	3137802
75 KME OMEGA CLAMP 100	111	2	0,198	3137803
75 KME OMEGA CLAMP 200	211	2	0,284	3137805
75 KME OMEGA CLAMP 300	311	2	0,370	3137807
75 KME OMEGA CLAMP 400	411	2	0,458	3137808
75 KME OMEGA CLAMP 500	511	2	0,543	3137809
75 KME OMEGA CLAMP 600	611	2	0,629	3137811
100 KME OMEGA CLAMP 200	211	2	0,306	3137814
100 KME OMEGA CLAMP 300	311	2	0,392	3137816
100 KME OMEGA CLAMP 400	411	2	0,477	3137817
100 KME OMEGA CLAMP 500	511	2	0,565	3137818
100 KME OMEGA CLAMP 600	611	2	0,651	3137819
125 KME OMEGA CLAMP 200	211	2	0,328	3137822
125 KME OMEGA CLAMP 300	311	2	0,414	3137824
125 KME OMEGA CLAMP 400	411	2	0,499	3137825
125 KME OMEGA CLAMP 500	511	2	0,585	3137826
125 KME OMEGA CLAMP 600	611	2	0,673	3137827
150 KME OMEGA CLAMP 200	211	2	0,350	3137830
150 KME OMEGA CLAMP 250	261	2	0,392	3137831
150 KME OMEGA CLAMP 300	311	2	0,436	3137832
150 KME OMEGA CLAMP 400	411	2	0,521	3137833
150 KME OMEGA CLAMP 500	511	2	0,607	3137834
150 KME OMEGA CLAMP 600	611	2	0,695	3137835



Note: Bolt set is included in the product delivered.

- Please contact your representative for inquiries regarding stainless steel alternatives.
- Please indicate product code in your orders.
- Please contact us for special dimensions.
- Material weights may vary by $\pm 10\%$

- All dimensions are given as in mm
- PG= Pre-Galvanized
- HDG= Hot Dip Galvanized

▶▶ PROJECT DESIGN FORM


Component List	Quantity	
Item	Component	
Please duplicate this page for your own use.		
Company: Project: Project No:		Name : Date : Signature : Prepared by

▶▶ PROJECT DESIGN FORM

Component List	Item	Component	Quantity
Please duplicate this page for your own use.			

Company:
Project:
Project No:

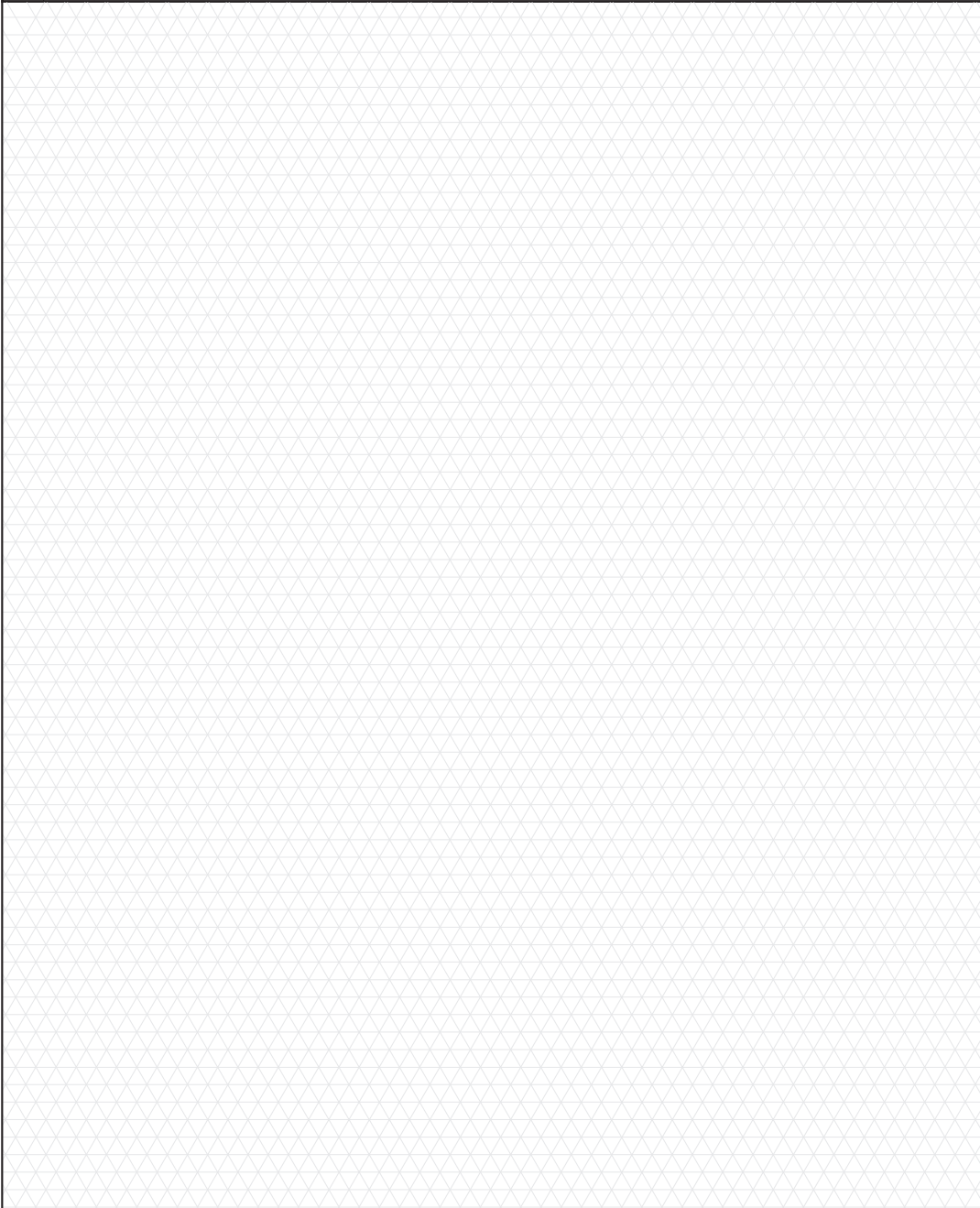

Name :
Date :
Signature :
Prepared by



Please duplicate this page for your own use.

KM

▶▶ PROJECT DESIGN FORM

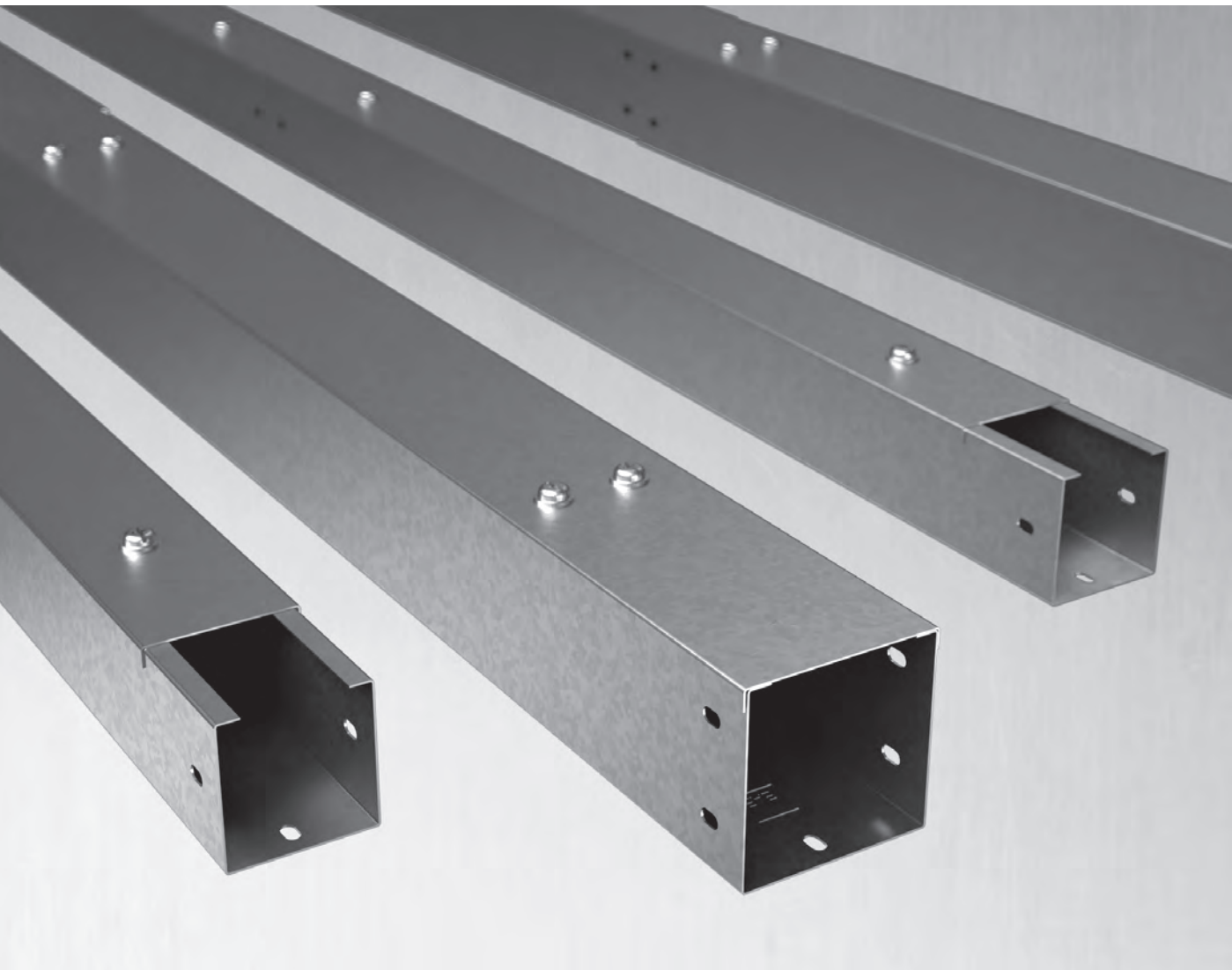
Component List	Item	Component	Quantity		
				Company: Project: Project No:	Name : Date : Signature : Prepared by
					

Please duplicate this page for your own use.



E-LINE TKS

TRUNKING CABLE TRAYS



TKS

E-LINE TKS

Please visit our website for the updated version of our catalogues.
www.eaeelectric.com



CONTENTS

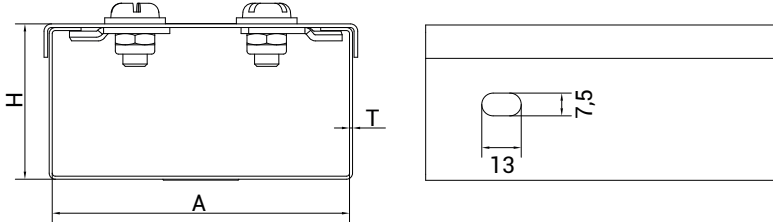
▶▶ E-LINE TKS

TKS Trunking Cable Trays.....	2
TKS Bend Modules.....	3-8
TKS Socket Plate, TKS Change Face Right.....	9
TKS Change Face Left, TKS Joint Fitting.....	10
TKS Blind End.....	11
TKS Support Fittings.....	12
TKS Trunking Cable Trays.....	13

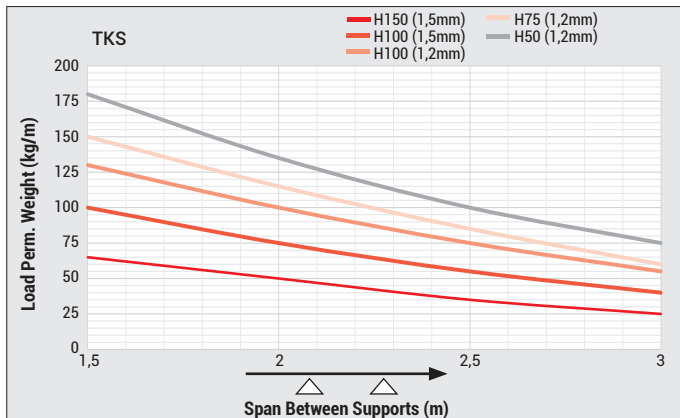
E-LINETKS

TKS TRUNKING STRAIGHT LENGTH

Pre-Galvanized (TS EN 10346 - TS EN 10143), Hot Dip Galvanized (TS EN ISO 1461),
TKS Trunking Cable Tray (TS EN ISO 50085)



Description	H (mm)	A (mm)	T=1		T=1,2		T=1,5		T=1		T=1,2		T=1,5	
			Weight (kg/m)	PG Code	Weight (kg/m)	PG Code	Weight (kg/m)	PG Code	Weight (kg/m)	HDG Code	Weight (kg/m)	HDG Code	Weight (kg/m)	HDG Code
050 TKS 050	50	50	1,307	3293375	1,568	3293445	1,961	3293454	1,438	3322704	1,725	3322724	2,157	3322744
050 TKS 075	50	75	1,504	3322671	1,805	3001967	2,256	3322693	1,654	3322705	1,985	3322725	2,482	3322745
050 TKS 100	50	100	1,700	3293377	2,040	3293447	2,550	3293456	1,870	3322706	2,244	3322726	2,805	3322746
050 TKS 150	50	150	2,092	3299226	2,510	3299231	3,138	3299236	2,301	3322707	2,761	3322727	3,452	3322747
050 TKS 200	50	200	2,485	3299227	2,982	3299232	3,728	3299237	2,734	3322708	3,280	3322728	4,100	3322748
050 TKS 300	50	300	3,270	3299229	3,924	3299234	4,905	3299245	3,597	3322709	4,316	3322729	5,396	3322749
075 TKS 075	75	75	1,896	3322673	2,275	3322683	2,844	3322695	2,086	3322710	2,503	3322730	3,128	3322750
075 TKS 100	75	100	2,090	3293379	2,508	3293449	3,135	3293458	2,299	3322711	2,759	3322731	3,449	3322751
075 TKS 150	75	150	2,485	3322674	2,982	3322684	3,727	3322696	2,734	3322712	3,280	3322732	4,100	3322752
075 TKS 200	75	200	2,877	3322675	3,452	3322685	4,315	3322697	3,165	3322713	3,798	3322733	4,747	3322753
075 TKS 300	75	300	3,662	3322676	4,394	3322686	5,493	3322698	4,028	3322714	4,834	3322734	6,042	3322754
100 TKS 100	100	100	2,482	3293380	2,978	3293450	3,723	3293459	2,730	3322715	3,276	3322735	4,095	3322755
100 TKS 150	100	150	2,875	3293381	3,450	3293451	4,313	3293460	3,163	3322716	3,795	3322736	4,744	3322756
100 TKS 200	100	200	3,267	3322677	3,920	3322687	4,901	3322699	3,594	3322717	4,312	3322737	5,391	3322757
100 TKS 300	100	300	4,052	3299240	4,862	3322688	6,078	3322700	4,457	3322718	5,349	3322738	6,686	3322758
150 TKS 150	150	150	3,657	3293384	4,388	3293453	5,486	3293463	4,023	3322719	4,827	3322739	6,034	3322759
150 TKS 200	150	200	4,050	3322678	4,860	3322689	6,075	3322701	4,455	3322720	5,346	3322740	6,683	3322760
150 TKS 300	150	300	4,835	3322679	5,802	3322690	7,253	3293464	5,319	3322721	6,382	3322741	7,978	3322761
200 TKS 200	200	200	4,835	3322680	5,802	3322691	7,253	3322702	5,319	3322722	6,382	3322742	7,978	3322762
200 TKS 300	200	300	5,620	3322681	6,744	3322692	8,430	3322703	6,182	3322723	7,418	3322743	9,273	3322763

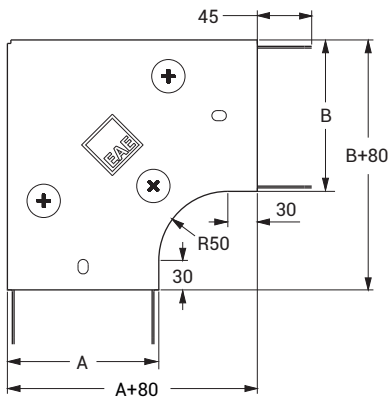


• There may be +/- differences in carriage values depending on steel plate tolerance and steel plate hardness value. Please immediately contact your customer representative for detailed information.

- Please indicate order code in your orders.
- Please contact us for special dimensions.
- Material weights may vary by $\pm 10\%$

- In case of requested product can be produced as stainless steel.
- All dimensions are given as in mm

- PG= Pre-Galvanized
- HDG= Hot Dip Galvanized

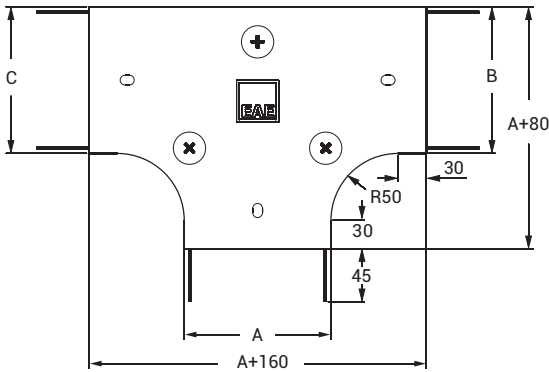


Description	H (mm)	AB (mm)	T=1		T=1,2		T=1,5		T=1		T=1,2		T=1,5	
			Weight (kg/pcs)	PG Code	Weight (kg/pcs)	PG Code	Weight (kg/pcs)	PG Code	Weight (kg/pcs)	HDG Code	Weight (kg/pcs)	HDG Code	Weight (kg/pcs)	HDG Code
050 TKS 050 YD90°	50	50	0,523	3322788	0,627	3302450	0,761	3302458	0,575	3322848	0,690	3322808	0,837	3322828
050 TKS 075 YD90°	50	75	0,665	3322789	0,798	3302451	0,801	3302459	0,732	3322849	0,878	3322809	0,881	3322829
050 TKS 100 YD90°	50	100	0,850	3322790	1,020	3322764	1,253	3322776	0,935	3322850	1,122	3322810	1,378	3322830
050 TKS 150 YD90°	50	150	1,063	3322791	1,276	3322765	1,573	3322777	1,169	3322851	1,404	3322811	1,730	3322831
050 TKS 200 YD90°	50	200	1,692	3322792	2,030	3322766	2,515	3322778	1,861	3322852	2,233	3322812	2,767	3322832
050 TKS 300 YD90°	50	300	2,647	3322793	3,177	3322767	3,949	3322779	2,912	3322853	3,495	3322813	4,344	3322833
075 TKS 075 YD90°	75	75	0,787	3322794	0,945	3302452	1,155	3302460	0,866	3322854	1,040	3322814	1,271	3322834
075 TKS 100 YD90°	75	100	0,982	3322795	1,179	3302453	1,410	3302461	1,080	3322855	1,297	3322815	1,551	3322835
075 TKS 150 YD90°	75	150	1,215	3322796	1,458	3322768	1,800	3322780	1,337	3322856	1,604	3322816	1,980	3322836
075 TKS 200 YD90°	75	200	1,863	3322797	2,236	3322769	2,773	3322781	2,050	3322857	2,460	3322817	3,050	3322837
075 TKS 300 YD90°	75	300	2,859	3322798	3,431	3322770	4,266	3322782	3,145	3322858	3,774	3322818	4,693	3322838
100 TKS 100 YD90°	100	100	1,111	3322799	1,334	3302454	1,635	3302462	1,222	3322859	1,467	3322819	1,799	3322839
100 TKS 150 YD90°	100	150	1,533	3322800	1,839	3302455	2,265	3302463	1,686	3322860	2,023	3322820	2,492	3322840
100 TKS 200 YD90°	100	200	2,033	3322801	2,439	3302456	3,013	3302464	2,236	3322861	2,683	3322821	3,314	3322841
100 TKS 300 YD90°	100	300	3,052	3322802	3,680	3322771	4,578	3322783	3,357	3322862	4,048	3322822	5,035	3322842
150 TKS 150 YD90°	150	150	1,834	3322803	2,201	3302457	2,717	3302465	2,017	3322863	2,421	3322823	2,989	3322843
150 TKS 200 YD90°	150	200	2,373	3322804	2,847	3322772	3,536	3322784	2,610	3322864	3,132	3322824	3,890	3322844
150 TKS 300 YD90°	150	300	3,486	3322805	4,183	3322773	5,206	3322785	3,834	3322865	4,601	3322825	5,727	3322845
200 TKS 200 YD90°	200	200	2,734	3322806	3,281	3322774	4,079	3322786	3,008	3322866	3,609	3322826	4,487	3322846
200 TKS 300 YD90°	200	300	3,926	3322807	4,711	3322775	5,866	3322787	4,318	3322867	5,182	3322827	6,453	3322847

- Please indicate order code in your orders.
- Please contact us for special dimensions.
- Material weights may vary by ± 10%

- In case of requested product can be produced as stainless steel.
- All dimensions are given as in mm

- PG= Pre-Galvanized
- HDG= Hot Dip Galvanized

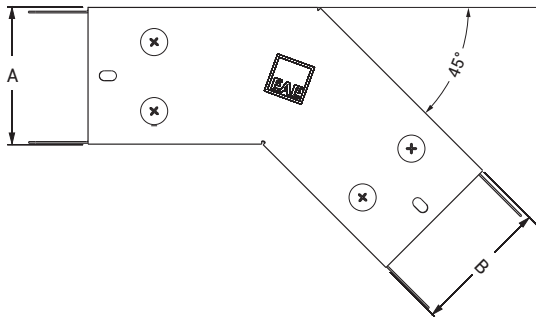


Description	H (mm)	ABC (mm)	T=1		T=1,2		T=1,5		T=1		T=1,2		T=1,5	
			Weight (kg/pcs)	PG Code	Weight (kg/pcs)	PG Code	Weight (kg/pcs)	PG Code	Weight (kg/pcs)	HDG Code	Weight (kg/pcs)	HDG Code	Weight (kg/pcs)	HDG Code
050 TKS 050 YT	50	50	0,706	3322914	0,847	3322874	1,059	3322894	0,776	3322974	0,932	3322934	1,165	3322954
050 TKS 075 YT	50	75	0,863	3322915	1,035	3322875	1,294	3322895	0,949	3322975	1,139	3322935	1,423	3322955
050 TKS 100 YT	50	100	1,025	3322916	1,230	3322876	1,538	3322896	1,128	3322976	1,353	3322936	1,691	3322956
050 TKS 150 YT	50	150	1,436	3322917	1,723	3322877	2,154	3322897	1,579	3322977	1,895	3322937	2,369	3322957
050 TKS 200 YT	50	200	1,926	3322918	2,311	3322878	2,889	3322898	2,118	3322978	2,542	3322938	3,178	3322958
050 TKS 300 YT	50	300	3,142	3322919	3,770	3322879	4,713	3322899	3,456	3322979	4,147	3322939	5,184	3322959
075 TKS 075 YT	75	75	1,016	3322920	1,219	3322880	1,524	3322900	1,117	3322980	1,341	3322940	1,676	3322960
075 TKS 100 YT	75	100	1,198	3322921	1,437	3322881	1,796	3322901	1,317	3322981	1,581	3322941	1,976	3322961
075 TKS 150 YT	75	150	1,607	3322922	1,928	3322882	2,410	3322902	1,767	3322982	2,121	3322942	2,651	3322962
075 TKS 200 YT	75	200	2,110	3322923	2,532	3322883	3,165	3322903	2,321	3322983	2,785	3322943	3,482	3322963
075 TKS 300 YT	75	300	3,352	3322924	4,022	3322884	5,028	3322904	3,687	3322984	4,424	3322944	5,530	3322964
100 TKS 100 YT	100	100	1,351	3322925	1,621	3322885	2,026	3322905	1,486	3322985	1,783	3322945	2,229	3322965
100 TKS 150 YT	100	150	1,782	3322926	2,138	3322886	2,673	3322906	1,960	3322986	2,352	3322946	2,940	3322966
100 TKS 200 YT	100	200	2,293	3322927	2,751	3322887	3,439	3322907	2,522	3322987	3,026	3322947	3,783	3322967
100 TKS 300 YT	100	300	3,532	3322928	4,238	3322888	5,298	3322908	3,885	3322988	4,662	3322948	5,827	3322968
150 TKS 150 YT	150	150	2,113	3322929	2,536	3322889	3,170	3322909	2,325	3322989	2,790	3322949	3,487	3322969
150 TKS 200 YT	150	200	2,627	3322930	3,152	3322890	3,940	3322910	2,889	3322990	3,467	3322950	4,334	3322970
150 TKS 300 YT	150	300	3,922	3322931	4,706	3322891	5,883	3322911	4,314	3322991	5,177	3322951	6,471	3322971
200 TKS 200 YT	200	200	3,019	3322932	3,623	3322892	4,529	3322912	3,321	3322992	3,985	3322952	4,982	3322972
200 TKS 300 YT	200	300	4,353	3322933	5,223	3322893	6,529	3322913	4,788	3322993	5,745	3322953	7,182	3322973

- Please indicate order code in your orders.
- Please contact us for special dimensions.
- Material weights may vary by ± 10%

- In case of requested product can be produced as stainless steel.
- All dimensions are given as in mm

- PG= Pre-Galvanized
- HDG= Hot Dip Galvanized

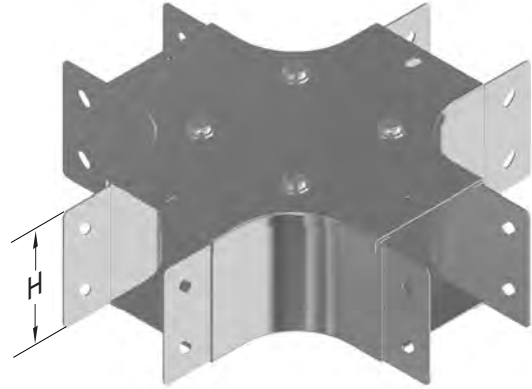
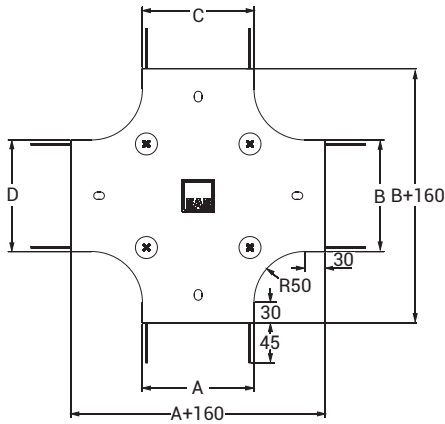


Description	H (mm)	AB (mm)	T=1		T=1,2		T=1,5		T=1		T=1,2		T=1,5	
			Weight (kg/pcs)	PG Code	Weight (kg/pcs)	PG Code	Weight (kg/pcs)	PG Code	Weight (kg/pcs)	HDG Code	Weight (kg/pcs)	HDG Code	Weight (kg/pcs)	HDG Code
050 TKS 050 YD45°	50	50	0,702	3323018	0,842	3302482	1,053	3302490	0,772	3323078	0,926	3323038	1,158	3323058
050 TKS 075 YD45°	50	75	0,837	3323019	1,004	3302483	1,255	3302491	0,920	3323079	1,104	3323039	1,381	3323059
050 TKS 100 YD45°	50	100	1,036	3323020	1,243	3322994	1,554	3323006	1,139	3323080	1,367	3323040	1,709	3323060
050 TKS 150 YD45°	50	150	1,343	3323021	1,612	3322995	2,015	3323007	1,478	3323081	1,773	3323041	2,217	3323061
050 TKS 200 YD45°	50	200	1,705	3323022	2,046	3322996	2,558	3323008	1,876	3323082	2,251	3323042	2,813	3323062
050 TKS 300 YD45°	50	300	2,494	3323023	2,993	3322997	3,741	3323009	2,744	3323083	3,292	3323043	4,115	3323063
075 TKS 075 YD45°	75	75	0,994	3323024	1,193	3302484	1,491	3302492	1,094	3323084	1,312	3323044	1,640	3323064
075 TKS 100 YD45°	75	100	1,193	3323025	1,432	3302485	1,790	3302493	1,313	3323085	1,575	3323045	1,969	3323065
075 TKS 150 YD45°	75	150	1,508	3323026	1,810	3322998	2,263	3323010	1,659	3323086	1,991	3323046	2,489	3323066
075 TKS 200 YD45°	75	200	1,883	3323027	2,259	3322999	2,824	3323011	2,071	3323087	2,485	3323047	3,106	3323067
075 TKS 300 YD45°	75	300	2,684	3323028	3,221	3323000	4,026	3323012	2,953	3323088	3,543	3323048	4,429	3323068
100 TKS 100 YD45°	100	100	1,352	3323029	1,622	3302486	2,028	3302494	1,487	3323089	1,784	3323049	2,230	3323069
100 TKS 150 YD45°	100	150	1,668	3323030	2,001	3302487	2,501	3302495	1,834	3323090	2,201	3323050	2,751	3323070
100 TKS 200 YD45°	100	200	1,958	3323031	2,349	3302488	2,936	3302496	2,153	3323091	2,584	3323051	3,230	3323071
100 TKS 300 YD45°	100	300	2,871	3323032	3,445	3323001	4,306	3323013	3,158	3323092	3,790	3323052	4,737	3323072
150 TKS 150 YD45°	150	150	1,997	3323033	2,396	3302489	2,995	3302497	2,196	3323093	2,636	3323053	3,295	3323073
150 TKS 200 YD45°	150	200	2,410	3323034	2,892	3323002	3,615	3323014	2,651	3323094	3,181	3323054	3,977	3323074
150 TKS 300 YD45°	150	300	3,248	3323035	3,898	3323003	4,873	3323015	3,573	3323095	4,288	3323055	5,360	3323075
200 TKS 200 YD45°	200	200	2,766	3323036	3,319	3323004	4,149	3323016	3,042	3323096	3,651	3323056	4,564	3323076
200 TKS 300 YD45°	200	300	3,628	3323037	4,353	3323005	5,441	3323017	3,990	3323097	4,788	3323057	5,985	3323077

- Please indicate order code in your orders.
- Please contact us for special dimensions.
- Material weights may vary by ± 10%

- In case of requested product can be produced as stainless steel.
- All dimensions are given as in mm

- PG= Pre-Galvanized
- HDG= Hot Dip Galvanized

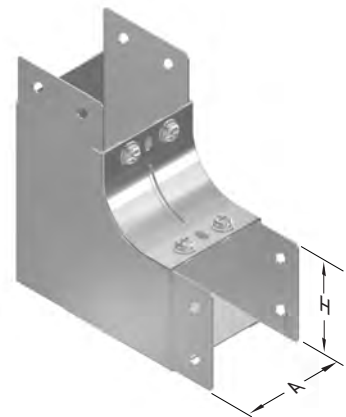
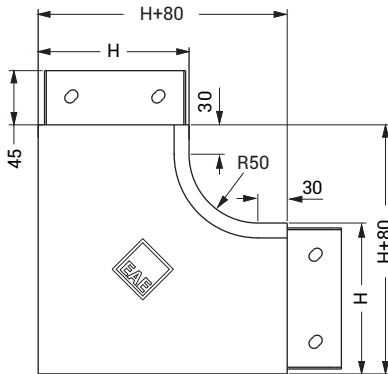


Description	H (mm)	ABCD (mm)	T=1		T=1,2		T=1,5		T=1		T=1,2		T=1,5	
			Weight (kg/pcs)	PG Code	Weight (kg/pcs)	PG Code	Weight (kg/pcs)	PG Code	Weight (kg/pcs)	HDG Code	Weight (kg/pcs)	HDG Code	Weight (kg/pcs)	HDG Code
050 TKS 050 AD	50	50	0,874	3323123	1,049	3302498	1,311	3302506	0,962	3323183	1,154	3323143	1,442	3323163
050 TKS 075 AD	50	75	1,046	3323124	1,255	3302499	1,569	3302507	1,150	3323184	1,381	3323144	1,726	3323164
050 TKS 100 AD	50	100	1,205	3323125	1,446	3323099	1,808	3323111	1,326	3323185	1,591	3323145	1,988	3323165
050 TKS 150 AD	50	150	1,646	3323126	1,975	3323100	2,469	3323112	1,810	3323186	2,173	3323146	2,716	3323166
050 TKS 200 AD	50	200	2,165	3323127	2,598	3323101	3,248	3323113	2,382	3323187	2,858	3323147	3,572	3323167
050 TKS 300 AD	50	300	3,438	3323128	4,126	3323102	5,158	3323114	3,782	3323188	4,539	3323148	5,673	3323168
075 TKS 075 AD	75	75	1,226	3323129	1,471	3302500	1,839	3302508	1,348	3323189	1,618	3323149	2,023	3323169
075 TKS 100 AD	75	100	1,417	3323130	1,700	3302501	2,125	3302509	1,558	3323190	1,870	3323150	2,338	3323170
075 TKS 150 AD	75	150	1,826	3323131	2,191	3323103	2,739	3323115	2,008	3323191	2,410	3323151	3,013	3323171
075 TKS 200 AD	75	200	2,345	3323132	2,814	3323104	3,518	3323116	2,580	3323192	3,095	3323152	3,869	3323172
075 TKS 300 AD	75	300	3,618	3323133	4,342	3323105	5,428	3323117	3,980	3323193	4,776	3323153	5,970	3323173
100 TKS 100 AD	100	100	1,590	3323134	1,908	3302502	2,385	3302510	1,749	3323194	2,099	3323154	2,624	3323174
100 TKS 150 AD	100	150	2,031	3323135	2,437	3302503	3,046	3302511	2,234	3323195	2,681	3323155	3,351	3323175
100 TKS 200 AD	100	200	2,551	3323136	3,061	3302504	3,826	3302512	2,806	3323196	3,367	3323156	4,209	3323176
100 TKS 300 AD	100	300	3,792	3323137	4,550	3323106	5,688	3323118	4,171	3323197	5,005	3323157	6,256	3323177
150 TKS 150 AD	150	150	2,384	3323138	2,861	3302505	3,576	3302513	2,623	3323198	3,147	3323158	3,934	3323178
150 TKS 200 AD	150	200	2,872	3323139	3,446	3323107	4,308	3323119	3,159	3323199	3,791	3323159	4,738	3323179
150 TKS 300 AD	150	300	4,145	3323140	4,974	3323108	6,218	3323120	4,560	3323200	5,471	3323160	6,839	3323180
200 TKS 200 AD	200	200	3,305	3323141	3,966	3323109	4,958	3323121	3,636	3323201	4,363	3323161	5,453	3323181
200 TKS 300 AD	200	300	4,578	3323142	5,494	3323110	6,868	3323122	5,036	3323202	6,043	3323162	7,554	3323182

- Please indicate order code in your orders.
- Please contact us for special dimensions.
- Material weights may vary by ± 10%

- In case of requested product can be produced as stainless steel.
- All dimensions are given as in mm

- PG= Pre-Galvanized
- HDG= Hot Dip Galvanized



Description	H (mm)	AB (mm)	T=1		T=1,2		T=1,5		T=1		T=1,2		T=1,5	
			Weight (kg/pcs)	PG Code	Weight (kg/pcs)	PG Code	Weight (kg/pcs)	PG Code	Weight (kg/pcs)	HDG Code	Weight (kg/pcs)	HDG Code	Weight (kg/pcs)	HDG Code
050 TKS 050 ID	50	50	0,494	3323231	0,593	3302514	0,741	3302522	0,544	3323291	0,652	3323251	0,815	3323271
050 TKS 075 ID	50	75	0,573	3323232	0,688	3302515	0,860	3302523	0,631	3323292	0,757	3323252	0,946	3323272
050 TKS 100 ID	50	100	0,694	3323233	0,833	3323207	1,041	3323219	0,764	3323293	0,916	3323253	1,145	3323273
050 TKS 150 ID	50	150	0,843	3323234	1,012	3323208	1,265	3323220	0,928	3323294	1,113	3323254	1,392	3323274
050 TKS 200 ID	50	200	0,991	3323235	1,189	3323209	1,486	3323221	1,090	3323295	1,308	3323255	1,635	3323275
050 TKS 300 ID	50	300	1,294	3323236	1,553	3323210	1,941	3323222	1,424	3323296	1,708	3323256	2,135	3323276
075 TKS 075 ID	75	75	0,753	3323237	0,903	3302516	1,129	3302524	0,828	3323297	0,993	3323257	1,242	3323277
075 TKS 100 ID	75	100	0,834	3323238	1,001	3302517	1,251	3302525	0,918	3323298	1,101	3323258	1,376	3323278
075 TKS 150 ID	75	150	0,877	3323239	1,052	3323211	1,315	3323223	0,964	3323299	1,157	3323259	1,447	3323279
075 TKS 200 ID	75	200	1,220	3323240	1,464	3323212	1,830	3323224	1,342	3323300	1,610	3323260	2,013	3323280
075 TKS 300 ID	75	300	1,563	3323241	1,875	3323213	2,344	3323225	1,719	3323301	2,063	3323261	2,578	3323281
100 TKS 100 ID	100	100	1,092	3323242	1,310	3302518	1,638	3302526	1,201	3323302	1,441	3323262	1,801	3323282
100 TKS 150 ID	100	150	1,280	3323243	1,536	3302519	1,920	3302527	1,408	3323303	1,690	3323263	2,112	3323283
100 TKS 200 ID	100	200	1,468	3323244	1,761	3302520	2,201	3302528	1,614	3323304	1,937	3323264	2,421	3323284
100 TKS 300 ID	100	300	1,849	3323245	2,219	3323214	2,774	3323226	2,034	3323305	2,441	3323265	3,051	3323285
150 TKS 150 ID	150	150	1,794	3323246	2,153	3302521	2,691	3302529	1,974	3323306	2,368	3323266	2,960	3323286
150 TKS 200 ID	150	200	2,021	3323247	2,425	3323215	3,031	3323227	2,223	3323307	2,668	3323267	3,334	3323287
150 TKS 300 ID	150	300	2,481	3323248	2,977	3323216	3,721	3323228	2,729	3323308	3,275	3323268	4,093	3323288
200 TKS 200 ID	200	200	2,835	3323249	3,402	3323217	4,253	3323229	3,119	3323309	3,742	3323269	4,678	3323289
200 TKS 300 ID	200	300	3,373	3323250	4,048	3323218	5,060	3323230	3,711	3323310	4,453	3323270	5,566	3323290

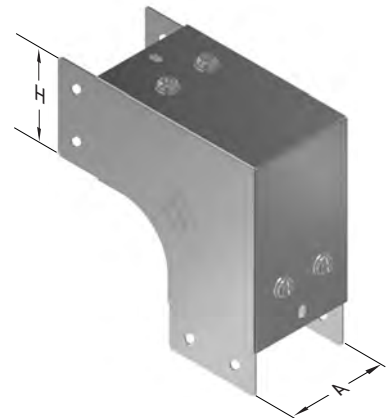
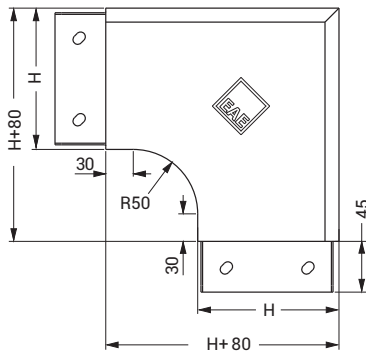
- Please indicate order code in your orders.
- Please contact us for special dimensions.
- Material weights may vary by ± 10%

- In case of requested product can be produced as stainless steel.
- All dimensions are given as in mm

- PG= Pre-Galvanized
- HDG= Hot Dip Galvanized

►► TKS VERTICAL OUTSIDE BEND (90°) R=50

Pre-Galvanized (TS EN 10346 - TS EN 10143), Hot Dip Galvanized (TS EN ISO 1461)



Description	H (mm)	AB (mm)	T=1		T=1,2		T=1,5		T=1		T=1,2		T=1,5	
			Weight (kg/pcs)	PG Code	Weight (kg/pcs)	PG Code	Weight (kg/pcs)	PG Code	Weight (kg/pcs)	HDG Code	Weight (kg/pcs)	HDG Code	Weight (kg/pcs)	HDG Code
050 TKS 050 DD	50	50	0,517	3323426	0,620	3302530	0,775	3302538	0,568	3323486	0,682	3323446	0,853	3323466
050 TKS 075 DD	50	75	0,593	3323427	0,711	3302531	0,889	3302539	0,652	3323487	0,782	3323447	0,978	3323467
050 TKS 100 DD	50	100	0,718	3323428	0,861	3323402	1,076	3323414	0,789	3323488	0,947	3323448	1,184	3323468
050 TKS 150 DD	50	150	0,870	3323429	1,044	3323403	1,305	3323415	0,957	3323489	1,148	3323449	1,436	3323469
050 TKS 200 DD	50	200	1,021	3323430	1,225	3323404	1,531	3323416	1,123	3323490	1,348	3323450	1,684	3323470
050 TKS 300 DD	50	300	1,314	3323431	1,577	3323405	1,971	3323417	1,446	3323491	1,735	3323451	2,168	3323471
075 TKS 075 DD	75	75	0,782	3323432	0,938	3302532	1,173	3302540	0,860	3323492	1,032	3323452	1,290	3323472
075 TKS 100 DD	75	100	0,868	3323433	1,041	3302533	1,301	3302541	0,954	3323493	1,145	3323453	1,431	3323473
075 TKS 150 DD	75	150	1,022	3323434	1,226	3323406	1,533	3323418	1,124	3323494	1,349	3323454	1,686	3323474
075 TKS 200 DD	75	200	1,173	3323435	1,407	3323407	1,759	3323419	1,290	3323495	1,548	3323455	1,935	3323475
075 TKS 300 DD	75	300	1,466	3323436	1,759	3323408	2,199	3323420	1,612	3323496	1,935	3323456	2,419	3323476
100 TKS 100 DD	100	100	1,133	3323437	1,359	3302534	1,699	3302542	1,246	3323497	1,495	3323457	1,869	3323477
100 TKS 150 DD	100	150	1,324	3323438	1,589	3302535	1,986	3302543	1,457	3323498	1,748	3323458	2,185	3323478
100 TKS 200 DD	100	200	1,515	3323439	1,818	3302536	2,273	3302544	1,667	3323499	2,000	3323459	2,500	3323479
100 TKS 300 DD	100	300	1,636	3323440	1,963	3323409	2,454	3323421	1,799	3323500	2,159	3323460	2,699	3323480
150 TKS 150 DD	150	150	1,855	3323441	2,226	3302537	2,783	3302545	2,041	3323501	2,449	3323461	3,061	3323481
150 TKS 200 DD	150	200	2,085	3323442	2,502	3323410	3,128	3323422	2,294	3323502	2,752	3323462	3,440	3323482
150 TKS 300 DD	150	300	2,534	3323443	3,041	3323411	3,801	3323423	2,788	3323503	3,345	3323463	4,181	3323483
200 TKS 200 DD	200	200	2,918	3323444	3,501	3323412	4,376	3323424	3,209	3323504	3,851	3323464	4,814	3323484
200 TKS 300 DD	200	300	3,446	3323445	4,135	3323413	5,169	3323425	3,790	3323505	4,549	3323465	5,686	3323485

■ Please indicate order code in your orders.

■ Please contact us for special dimensions.

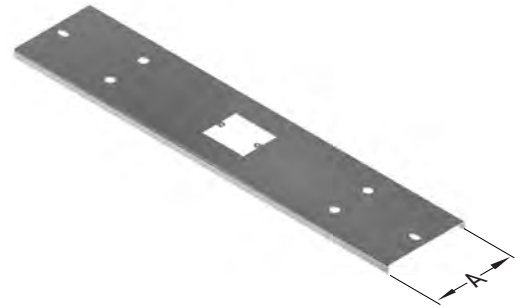
■ Material weights may vary by ± 10%

■ In case of requested product can be produced as stainless steel.

■ All dimensions are given as in mm

■ PG= Pre-Galvanized

■ HDG= Hot Dip Galvanized

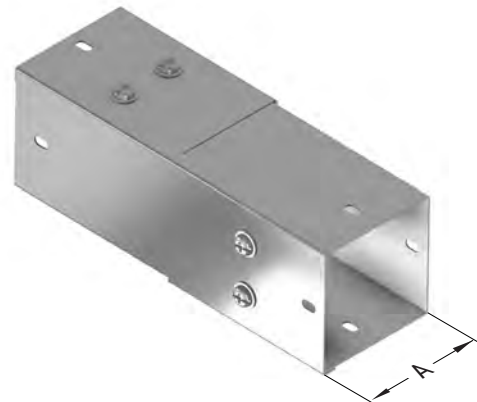
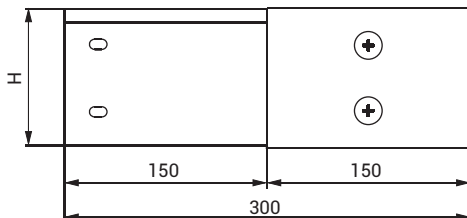


Description	A (mm)	T=1		T=1,2		T=1,5		T=1		T=1,2		T=1,5	
		Weight (kg/pcs)	PG Code	Weight (kg/pcs)	PG Code	Weight (kg/pcs)	PG Code	Weight (kg/pcs)	HDG Code	Weight (kg/pcs)	HDG Code	Weight (kg/pcs)	HDG Code
TKS 50 PP	50	0,328	3323555	0,381	3302586	0,432	3302590	0,360	3323570	0,419	3323560	0,475	3323565
TKS 75 PP	75	0,424	3323556	0,497	3302587	0,576	3302591	0,467	3323571	0,547	3323561	0,634	3323566
TKS 100 PP	100	0,565	3323557	0,654	3302588	0,781	3302592	0,622	3323572	0,719	3323562	0,859	3323567
TKS 150 PP	150	0,761	3323558	0,889	3302589	1,075	3302593	0,837	3323573	0,978	3323563	1,183	3323568
TKS 200 PP	200	0,958	3323559	1,125	3323553	1,373	3323554	1,053	3323574	1,238	3323564	1,510	3323569

TKS Change Face Right

Pre-Galvanized (TS EN 10346 - TS EN 10143), Hot Dip Galvanized (TS EN ISO 1461)

Description	H (mm)	A (mm)	T=1		T=1,2		T=1,5		T=1		T=1,2		T=1,5	
			Weight (kg/pcs)	PG Code	Weight (kg/pcs)	PG Code	Weight (kg/pcs)	PG Code	Weight (kg/pcs)	HDG Code	Weight (kg/pcs)	HDG Code	Weight (kg/pcs)	HDG Code
50 TKS 50 YDM	50	50	0,606	3323511	0,727	3302570	0,882	3302574	0,666	3323526	0,800	3323516	0,970	3323521
75 TKS 75 YDM	75	75	0,841	3323512	1,009	3302571	1,237	3302575	0,925	3323527	1,110	3323517	1,361	3323522
100 TKS 100 YDM	100	100	1,123	3323513	1,348	3302572	1,643	3302576	1,236	3323528	1,483	3323518	1,807	3323523
150 TKS 150 YDM	150	150	1,856	3323514	2,227	3302573	2,345	3302577	2,041	3323529	2,450	3323519	2,580	3323524
200 TKS 200 YDM	200	200	2,055	3323515	2,466	3323509	3,042	3323510	2,261	3323530	2,713	3323520	3,346	3323525



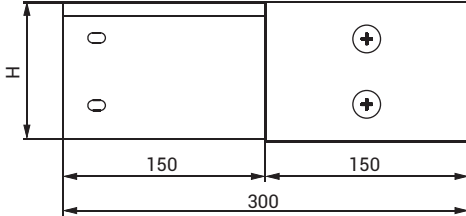
- Please indicate order code in your orders.
- Please contact us for special dimensions.
- Material weights may vary by $\pm 10\%$

- In case of requested product can be produced as stainless steel.
- All dimensions are given as in mm

- PG= Pre-Galvanized
- HDG= Hot Dip Galvanized

TKS CHANGE FACE LEFT

Pre-Galvanized (TS EN 10346 - TS EN 10143), Hot Dip Galvanized (TS EN ISO 1461)

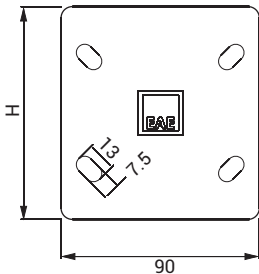


Description	H (mm)	A (mm)	T=1		T=1,2		T=1,5		T=1		T=1,2		T=1,5	
			Weight (kg/pcs)	PG Code	Weight (kg/pcs)	PG Code	Weight (kg/pcs)	PG Code	Weight (kg/pcs)	HDG Code	Weight (kg/pcs)	HDG Code	Weight (kg/pcs)	HDG Code
50 TKS 50 YDM	50	50	0,606	3323533	0,727	3302578	0,882	3302582	0,666	3323548	0,800	3323538	0,970	3323543
75 TKS 75 YDM	75	75	0,841	3323534	1,009	3302579	1,237	3302583	0,925	3323549	1,110	3323539	1,361	3323544
100 TKS 100 YDM	100	100	1,123	3323535	1,348	3302580	1,643	3302584	1,236	3323550	1,483	3323540	1,807	3323545
150 TKS 150 YDM	150	150	1,856	3323536	2,227	3302581	2,345	3302585	2,041	3323551	2,450	3323541	2,580	3323546
200 TKS 200 YDM	200	200	2,055	3323537	2,466	3323531	3,042	3323532	2,261	3323552	2,713	3323542	3,346	3323547

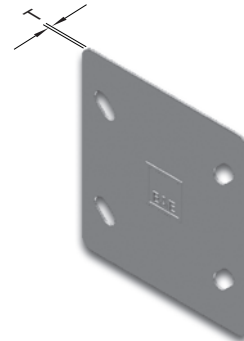
TKS Joint Fitting

Pre-Galvanized (TS EN 10346 - TS EN 10143), Hot Dip Galvanized (TS EN ISO 1461)

Description	A (mm)	T=1		T=1,2		T=1,5		T=1		T=1,2		T=1,5	
		Weight (kg/pcs)	PG Code	Weight (kg/pcs)	PG Code	Weight (kg/pcs)	PG Code	Weight (kg/pcs)	HDG Code	Weight (kg/pcs)	HDG Code	Weight (kg/pcs)	HDG Code
TKS 50 JOINT FITTING	45	0,030	3323585	0,036	3323575	0,045	3323580	0,033	3323600	0,040	3323590	0,050	3323595
TKS 75 JOINT FITTING	70	0,048	3323586	0,058	3323576	0,073	3323581	0,053	3323601	0,064	3323591	0,080	3323596
TKS 100 JOINT FITTING	95	0,064	3323587	0,077	3323577	0,096	3323582	0,071	3323602	0,085	3323592	0,106	3323597
TKS 150 JOINT FITTING	145	0,098	3323588	0,118	3323578	0,148	3323583	0,108	3323603	0,130	3323593	0,162	3323598
TKS 200 JOINT FITTING	195	0,133	3323589	0,160	3323579	0,200	3323584	0,147	3323604	0,176	3323594	0,220	3323599



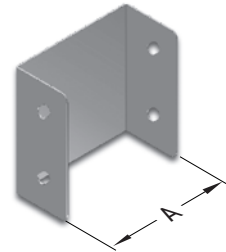
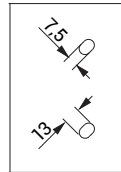
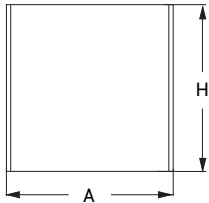
- For H= 50, 2 piece M6X12 bolts must be ordered.
- For H= 75, 2 piece M6X12 bolts must be ordered.
- For H= 100, 4 piece M6X12 bolts must be ordered.
- For H= 150, 6 piece M6X12 bolts must be ordered.
- For H= 200, 6 piece M6X12 bolts must be ordered.



- Please indicate order code in your orders.
- Please contact us for special dimensions.
- Material weights may vary by $\pm 10\%$

- In case of requested product can be produced as stainless steel.
- All dimensions are given as in mm

- PG= Pre-Galvanized
- HDG= Hot Dip Galvanized



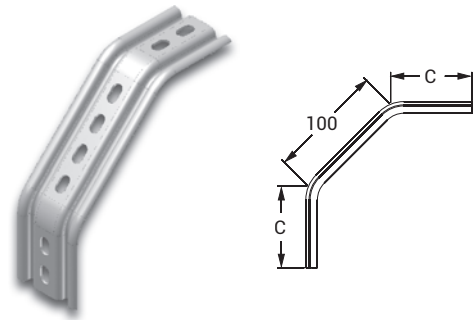
Description	H (mm)	A (mm)	T=1		T=1,2		T=1,5		T=1		T=1,2		T=1,5	
			Weight (kg/pcs)	PG Code	Weight (kg/pcs)	PG Code	Weight (kg/pcs)	PG Code	Weight (kg/pcs)	HDG Code	Weight (kg/pcs)	HDG Code	Weight (kg/pcs)	HDG Code
050 TKS 050 SE	50	50	0,044	3323705	0,053	3323665	0,066	3323685	0,049	3323645	0,058	3323605	0,073	3323625
050 TKS 075 SE	50	75	0,053	3323706	0,064	3323666	0,080	3323686	0,059	3323646	0,070	3323606	0,088	3323626
050 TKS 100 SE	50	100	0,064	3323707	0,077	3323667	0,096	3323687	0,071	3323647	0,085	3323607	0,106	3323627
050 TKS 150 SE	50	150	0,082	3323708	0,098	3323668	0,123	3323688	0,090	3323648	0,108	3323608	0,135	3323628
050 TKS 200 SE	50	200	0,100	3323709	0,120	3323669	0,150	3323689	0,110	3323649	0,132	3323609	0,165	3323629
050 TKS 300 SE	50	300	0,135	3323710	0,162	3323670	0,203	3323690	0,149	3323650	0,178	3323610	0,223	3323630
075 TKS 075 SE	75	75	0,084	3323711	0,101	3323671	0,126	3323691	0,093	3323651	0,111	3323611	0,139	3323631
075 TKS 100 SE	75	100	0,098	3323712	0,117	3323672	0,146	3323692	0,107	3323652	0,129	3323612	0,161	3323632
075 TKS 150 SE	75	150	0,128	3323713	0,153	3323673	0,191	3323693	0,140	3323653	0,168	3323613	0,210	3323633
075 TKS 200 SE	75	200	0,155	3323714	0,186	3323674	0,233	3323694	0,171	3323654	0,205	3323614	0,256	3323634
075 TKS 300 SE	75	300	0,210	3323715	0,252	3323675	0,315	3323695	0,231	3323655	0,277	3323615	0,347	3323635
100 TKS 100 SE	100	100	0,133	3323716	0,159	3323676	0,199	3323696	0,146	3323656	0,175	3323616	0,219	3323636
100 TKS 150 SE	100	150	0,169	3323717	0,203	3323677	0,254	3323697	0,186	3323657	0,223	3323617	0,279	3323637
100 TKS 200 SE	100	200	0,206	3323718	0,247	3323678	0,309	3323698	0,226	3323658	0,272	3323618	0,340	3323638
100 TKS 300 SE	100	300	0,285	3323719	0,342	3323679	0,428	3323699	0,314	3323659	0,376	3323619	0,470	3323639
150 TKS 150 SE	150	150	0,258	3323720	0,310	3323680	0,388	3323700	0,284	3323660	0,341	3323620	0,426	3323640
150 TKS 200 SE	150	200	0,322	3323721	0,386	3323681	0,483	3323701	0,354	3323661	0,425	3323621	0,531	3323641
150 TKS 300 SE	150	300	0,436	3323722	0,523	3323682	0,654	3323702	0,479	3323662	0,575	3323622	0,719	3323642
200 TKS 200 SE	200	200	0,430	3323723	0,516	3323683	0,645	3323703	0,473	3323663	0,568	3323623	0,710	3323643
200 TKS 300 SE	200	300	0,583	3323724	0,700	3323684	0,875	3323704	0,642	3323664	0,770	3323624	0,963	3323644

- Please indicate order code in your orders.
- Please contact us for special dimensions.
- Material weights may vary by ± 10%

- In case of requested product can be produced as stainless steel.
- All dimensions are given as in mm

- PG= Pre-Galvanized
- HDG= Hot Dip Galvanized

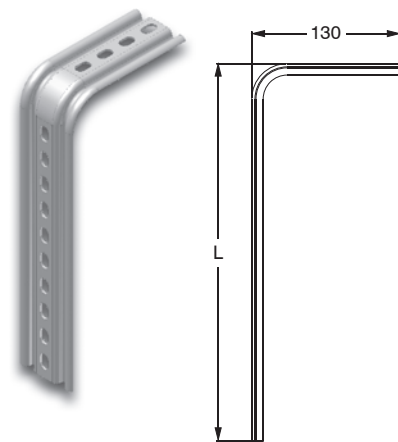
Description	C (mm)	T (mm)	T=2		T=2	
			Weight (kg/pcs)	PG Code	Weight (kg/pcs)	HDG Code
TKS 50 FIXING 135°	45	2	0,168	3002198	0,185	3002197
TKS 75 FIXING 135°	60	2	0,229	3002200	0,252	3002199
TKS 100 FIXING 135°	70	2	0,282	3002202	0,310	3002201
TKS 150 FIXING 135°	95	2	0,396	3002204	0,436	3002203
TKS 200 FIXING 135°	140	2	0,555	3323749	0,610	3323751



TKS Fixing Elements "L"

Pre-Galvanized (TS EN 10346 - TS EN 10143), Hot Dip Galvanized (TS EN ISO 1461)

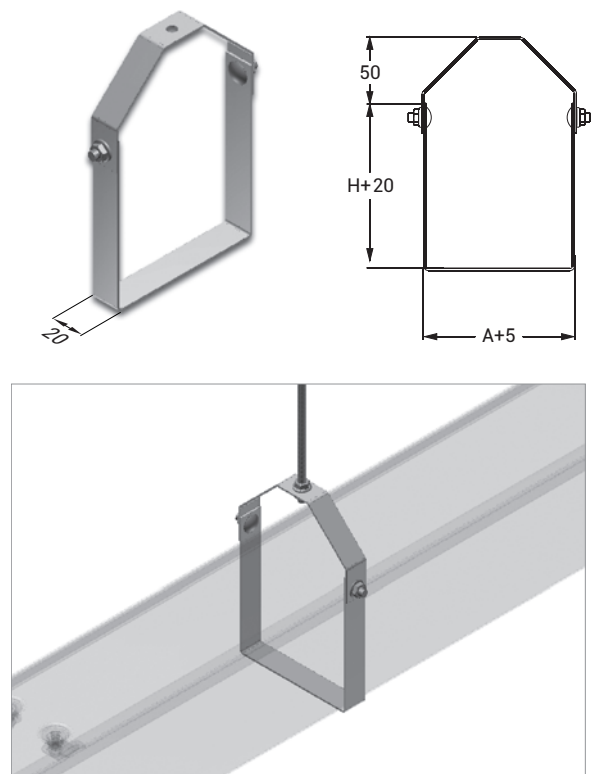
Description	L (mm)	T (mm)	T=2		T=2	
			Weight (kg/pcs)	PG Code	Weight (kg/pcs)	HDG Code
TKS 50 FIXING L	50	2	0,186	3002248	0,205	3002247
TKS 75 FIXING L	75	2	0,251	3002250	0,276	3002249
TKS 100 FIXING L	100	2	0,243	3002252	0,267	3002251
TKS 150 FIXING L	150	2	0,300	3002254	0,330	3002253
TKS 200 FIXING L	200	2	0,357	3323750	0,393	3323752



TKS Fixing Elements

Pre-Galvanized (TS EN 10346 - TS EN 10143), Hot Dip Galvanized (TS EN ISO 1461)

Description	H (mm)	A (mm)	T=1,5		T=1,5	
			Weight (kg/pcs)	PG Code	Weight (kg/pcs)	HDG Code
TKS EARTHING LINK	50	50	0,095	3002184	0,105	3002183
50 TKS 75 FIXING	50	75	0,103	3002186	0,113	3002185
50 TKS 100 FIXING	50	100	0,112	3323725	0,123	3323737
50 TKS 150 FIXING	50	150	0,133	3323726	0,146	3323738
50 TKS 200 FIXING	50	200	0,155	3323727	0,171	3323739
50 TKS 300 FIXING	50	300	0,200	3323728	0,220	3323740
75 TKS 75 FIXING	75	75	0,115	3002188	0,127	3002187
75 TKS 100 FIXING	75	100	0,124	3002190	0,136	3002189
75 TKS 150 FIXING	75	150	0,145	3323729	0,160	3323741
75 TKS 200 FIXING	75	200	0,166	3323730	0,183	3323742
75 TKS 300 FIXING	75	300	0,212	3323731	0,233	3323743
100 TKS 100 FIXING	100	100	0,136	3002192	0,150	3002191
100 TKS 150 FIXING	100	150	0,157	3002194	0,173	3002193
100 TKS 200 FIXING	100	200	0,170	3002196	0,187	3002195
100 TKS 300 FIXING	100	300	0,224	3323732	0,246	3323744
150 TKS 150 FIXING	150	150	0,180	3002258	0,198	3002257
150 TKS 200 FIXING	150	200	0,202	3323733	0,222	3323745
150 TKS 300 FIXING	150	300	0,247	3323734	0,270	3323746
200 TKS 200 FIXING	200	200	0,249	3323735	0,274	3323747
200 TKS 300 FIXING	200	300	0,294	3323736	0,323	3323748



■ Please indicate order code in your orders.

■ Please contact us for special dimensions.

■ Material weights may vary by ± 10%

■ All dimensions are given as in mm

■ PG= Pre-Galvanized

■ HDG= Hot Dip Galvanized

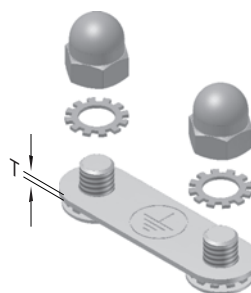
E-LINETKS

►►TKS EARTHING LINK

Copper (EN 1652)



Description	T (mm)	Weight (kg/pcs)	PG Code
TKS EARTHING LINK	1	0,022	3001730



► TKS Pull-Off Dowel

Pre-Galvanized (TS EN 10346 - TS EN 10143)

Description	Weight (kg/pcs)	PG Code
PULL-OFF DOWEL JACKETED M6	0,033	5000007



► TKS Cable Trunking Joint Set

Pre-Galvanized (TS EN 10143)

Description	Weight (kg/pcs)	PG Code
JOINT SET M6x12 BOLT&NUT	0,009	1004314



- Please indicate order code in your orders.
- Please contact us for special dimensions.
- Material weights may vary by $\pm 10\%$


- In case of requested product can be produced as stainless steel.
- All dimensions are given as in mm

- PG= Pre-Galvanized
- HDG= Hot Dip Galvanized

▶▶ PROJECT DESIGN FORM

Component List		Quantity
Item	Component	

Company:	
Project:	
Project No:	
Name :	
Date :	
Signature :	
Prepared by	

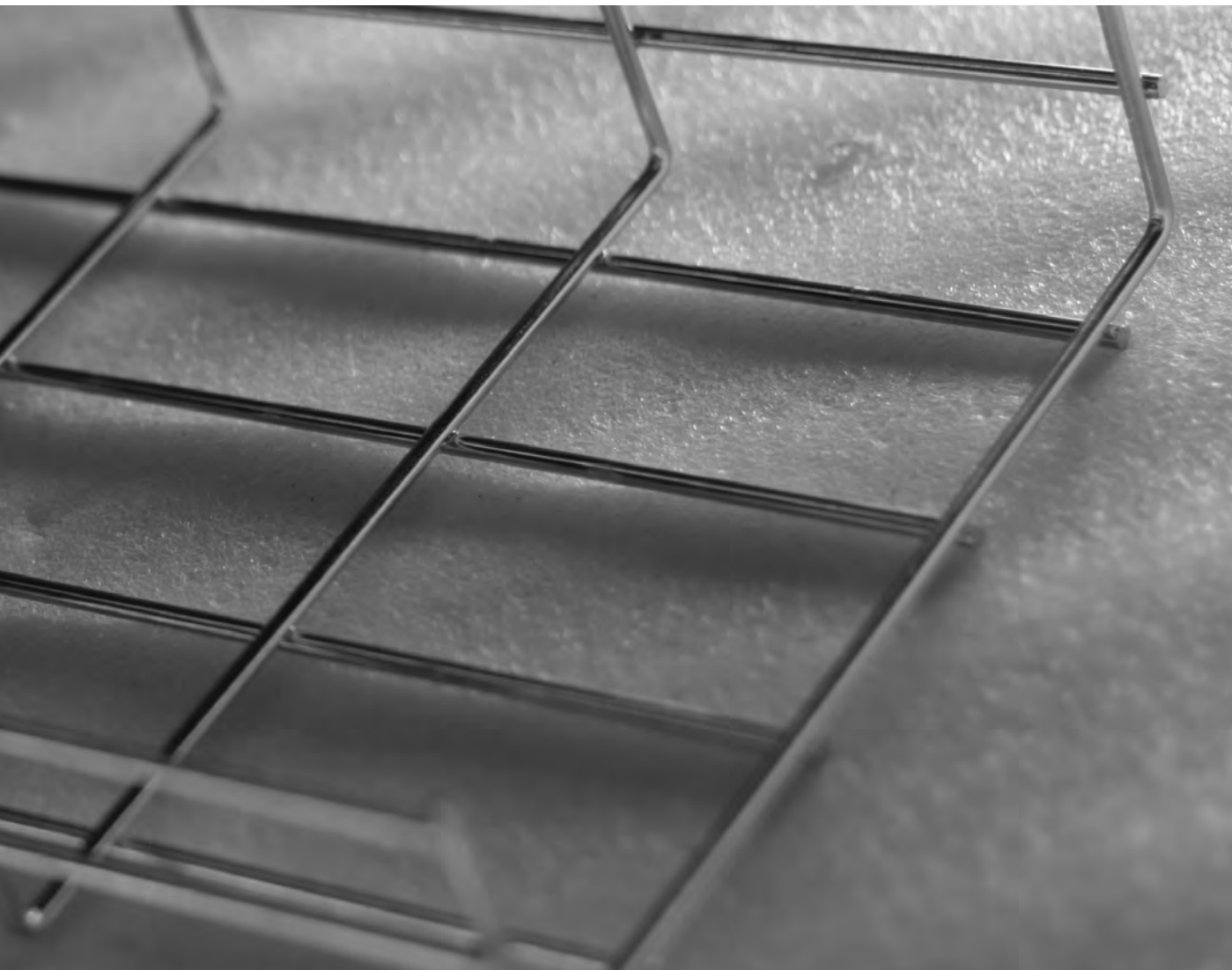


Please duplicate this page for your own use.



E-LINE TLS

MESH WIRE CABLE TRAY



TLS

E-LINE TLS

Please visit our website for the updated version of our catalogues.
www.eaelectric.com

CONTENTS

▶▶ E-LINE TLS

Wire Mesh Trays	2-10
Application Examples	11
TLS Single Rod Z-Holder	12
TLS Snap-On U-Profile	13
TLS Snap-on Omega-Profile	14
TLS Omega-Duct Carrier	15
TLS V Duct Carrier.....	16
TLS Fixing Unit	17
TLS Landing Plate	18
TLS Mounting Plate	19
TLS Union Outlet Element, TLS Separator	20
Slotted Straight Strip, TLS Slotted L-Strip	21
TLS Fixture Holder.....	22
Wire Mesh Side Dropout Bend	23
Wire Mesh Side Dropout Bend	24
Wire Mesh Bottom Dropout Bend	25
TLS Cover, Cover Clamps	26
TLS Mesh Level Adaptation Bend	27
Wire Mesh Tabbed Earthing Connector	28
Earthing Components	29
Application Examples	30-36
Bend Application Examples	37-38

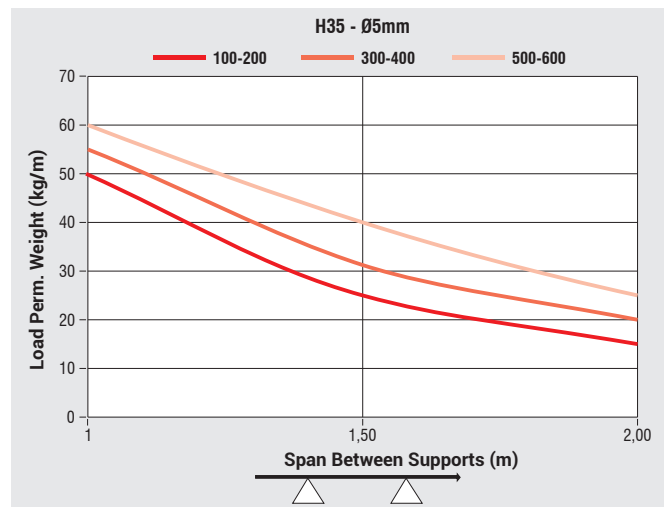
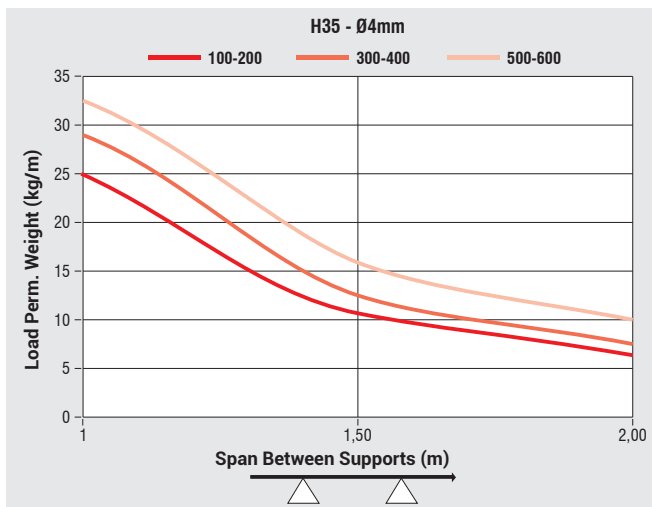
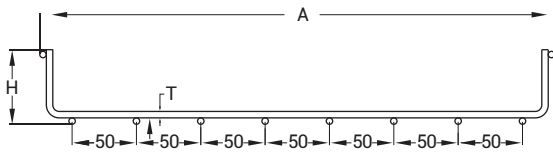
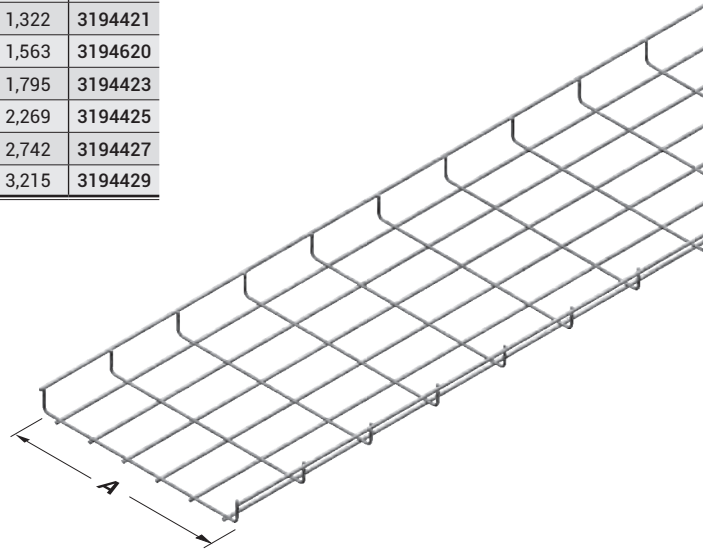
E-LINETLS

►► WIRE MESH TRAYS

Electrogalvanized (TS 149), Hot Dip Galvanized (TS EN ISO 1461), Stainless Steel (SS304 -SS316)



Description	H (mm)	A (mm)	T (mm)	Weight (kg/m)	EG Code	Weight (kg/m)	HDG Code	Weight (kg/m)	SS Code
035 TLS 050	35	50	4	0,494	3187808	0,519	3322530	0,503	3194417
035 TLS 100	35	100	4	0,538	3178496	0,565	3322531	0,546	3194418
035 TLS 150	35	150	4	0,701	3194605	0,736	3322532	0,709	3194616
035 TLS 200	35	200	4	0,838	3178497	0,880	3322533	0,850	3194420
035 TLS 250	35	250	4	1,001	3194606	1,051	3322534	1,006	3194619
035 TLS 300	35	300	4	1,139	3178498	1,196	3322535	1,155	3194422
035 TLS 400	35	400	4	1,439	3178499	1,511	3322536	1,459	3194424
035 TLS 500	35	500	4	1,739	3178500	1,826	3322537	1,763	3194426
035 TLS 600	35	600	4	2,040	3178501	2,142	3322538	2,068	3194428
035 TLS 100	35	100	5	0,837	3178521	0,879	3322554	0,849	3194419
035 TLS 150	35	150	5	1,091	3194599	1,146	3322555	1,097	3194618
035 TLS 200	35	200	5	1,304	3178522	1,370	3322556	1,322	3194421
035 TLS 250	35	250	5	1,554	3194600	1,632	3322557	1,563	3194620
035 TLS 300	35	300	5	1,771	3178523	1,860	3322558	1,795	3194423
035 TLS 400	35	400	5	2,239	3178524	2,351	3322559	2,269	3194425
035 TLS 500	35	500	5	2,706	3178525	2,841	3322560	2,742	3194427
035 TLS 600	35	600	5	3,173	3178526	3,332	3322561	3,215	3194429



■ Load Perm. Weight may change +/- according to the sheet tolerance and hardness. Please contact to your customer representative for detailed information.

- Please indicate order code in your orders.
- Please contact us for special dimensions.
- Material weights may vary by ± 10%

- All dimensions are given as in mm
- EG= Electrogalvanized
- SS= Stainless Steel
- PG= Pre-Galvanized
- HDG= Hot Dip Galvanized

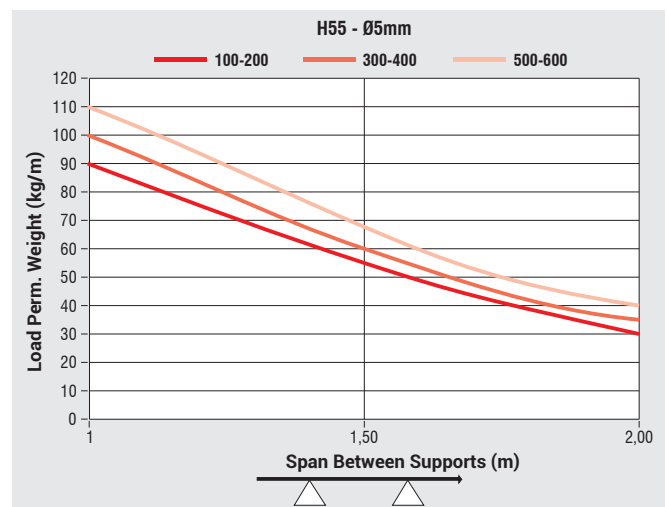
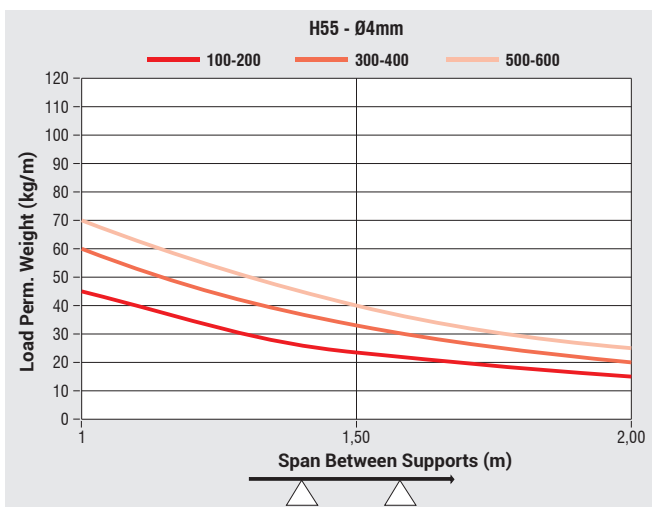
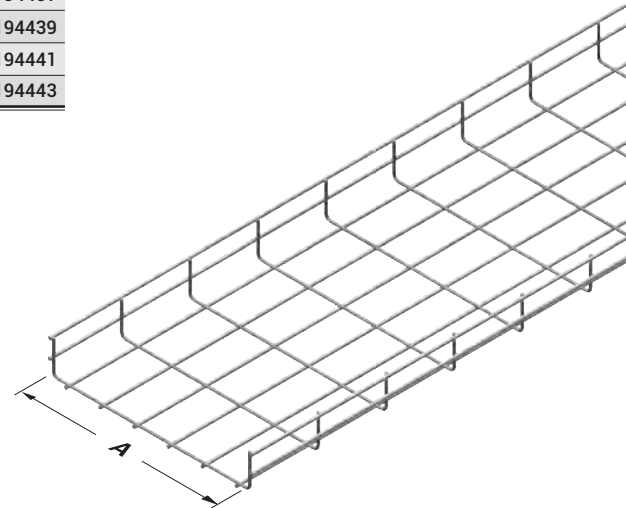
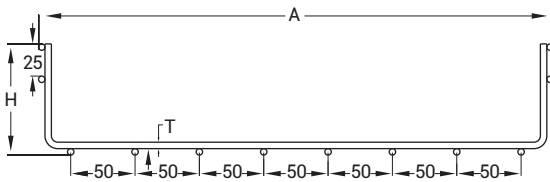
E-LINETLS

►► WIRE MESH TRAYS

Electrogalvanized (TS 149), Hot Dip Galvanized (TS EN ISO 1461), Stainless Steel (SS304 - SS316)



Description	H (mm)	A (mm)	T (mm)	Weight (kg/m)	EG Code	Weight (kg/m)	HDG Code	Weight (kg/m)	SS Code
055 TLS 100	55	100	4	0,777	3178502	0,816	3322539	0,789	3194431
055 TLS 150	55	150	4	0,942	3188207	0,989	3322540	0,956	3194433
055 TLS 200	55	200	4	1,077	3178503	1,131	3322541	1,093	3194434
055 TLS 250	55	250	4	1,239	3194607	1,301	3322542	1,263	3194622
055 TLS 300	55	300	4	1,378	3178504	1,447	3322543	1,398	3194436
055 TLS 400	55	400	4	1,678	3178505	1,762	3322544	1,702	3194438
055 TLS 500	55	500	4	1,978	3178506	2,077	3322545	2,006	3194440
055 TLS 600	55	600	4	2,279	3178507	2,393	3322546	2,311	3194442
055 TLS 100	55	100	5	1,209	3178527	1,269	3322562	1,227	3194432
055 TLS 150	55	150	5	1,461	3194601	1,534	3322563	1,489	3194621
055 TLS 200	55	200	5	1,676	3178528	1,760	3322564	1,700	3194435
055 TLS 250	55	250	5	1,935	3194602	2,032	3322565	1,972	3194623
055 TLS 300	55	300	5	2,143	3178529	2,250	3322566	2,173	3194437
055 TLS 400	55	400	5	2,610	3178530	2,741	3322567	2,646	3194439
055 TLS 500	55	500	5	3,077	3178531	3,231	3322568	3,119	3194441
055 TLS 600	55	600	5	3,545	3178532	3,722	3322569	3,593	3194443



■ Load Perm. Weight may change +/- according to the sheet tolerance and hardness. Please contact to your customer representative for detailed information.

- Please indicate order code in your orders.
- Please contact us for special dimensions.
- Material weights may vary by ± 10%

■ All dimensions are given as in mm

- EG= Electrogalvanized
- SS= Stainless Steel
- PG= Pre-Galvanized
- HDG= Hot Dip Galvanized

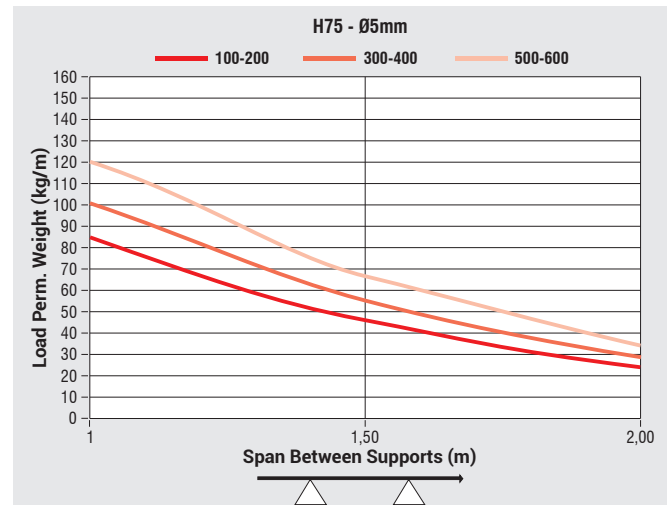
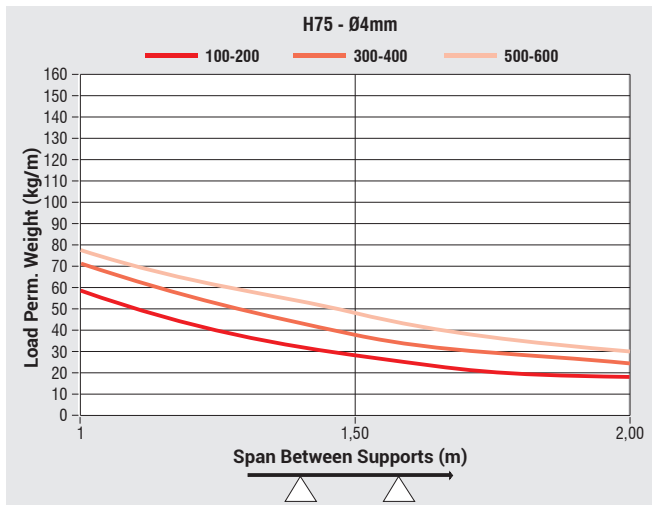
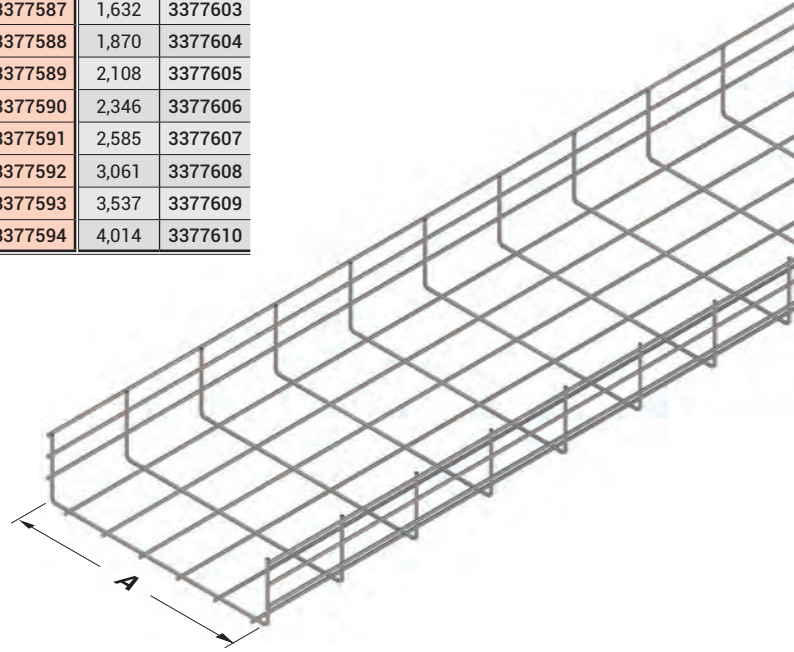
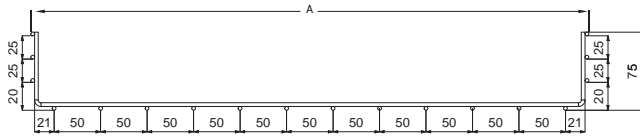
E-LINETLS

►► WIRE MESH TRAYS

Electrogalvanized (TS 149), Hot Dip Galvanized (TS EN ISO 1461), Stainless Steel (SS304 -SS316)



Description	H (mm)	A (mm)	T (mm)	Weight (kg/m)	EG Code	Weight (kg/m)	HDG Code	Weight (kg/m)	SS Code
075 TLS 100	55	100	4	1,025	3377563	1,076	3377579	1,044	3377595
075 TLS 150	55	150	4	1,174	3377564	1,233	3377580	1,197	3377596
075 TLS 200	55	200	4	1,324	3377565	1,390	3377581	1,349	3377597
075 TLS 250	55	250	4	1,473	3377566	1,547	3377582	1,502	3377598
075 TLS 300	55	300	4	1,623	3377567	1,704	3377583	1,654	3377599
075 TLS 400	55	400	4	1,922	3377568	2,018	3377584	1,959	3377600
075 TLS 500	55	500	4	2,222	3377569	2,333	3377585	2,264	3377601
075 TLS 600	55	600	4	2,521	3377570	2,647	3377586	2,569	3377602
075 TLS 100	55	100	5	1,601	3377571	1,681	3377587	1,632	3377603
075 TLS 150	55	150	5	1,835	3377572	1,926	3377588	1,870	3377604
075 TLS 200	55	200	5	2,069	3377573	2,172	3377589	2,108	3377605
075 TLS 250	55	250	5	2,302	3377574	2,417	3377590	2,346	3377606
075 TLS 300	55	300	5	2,536	3377575	2,663	3377591	2,585	3377607
075 TLS 400	55	400	5	3,004	3377576	3,154	3377592	3,061	3377608
075 TLS 500	55	500	5	3,471	3377577	3,645	3377593	3,537	3377609
075 TLS 600	55	600	5	3,939	3377578	4,136	3377594	4,014	3377610



■ Load Perm. Weight may change +/- according to the sheet tolerance and hardness. Please contact to your customer representative for detailed information.

- Please indicate order code in your orders.
- Please contact us for special dimensions.
- Material weights may vary by ± 10%

- All dimensions are given as in mm
- EG= Electrogalvanized
- SS= Stainless Steel
- PG= Pre-Galvanized
- HDG= Hot Dip Galvanized

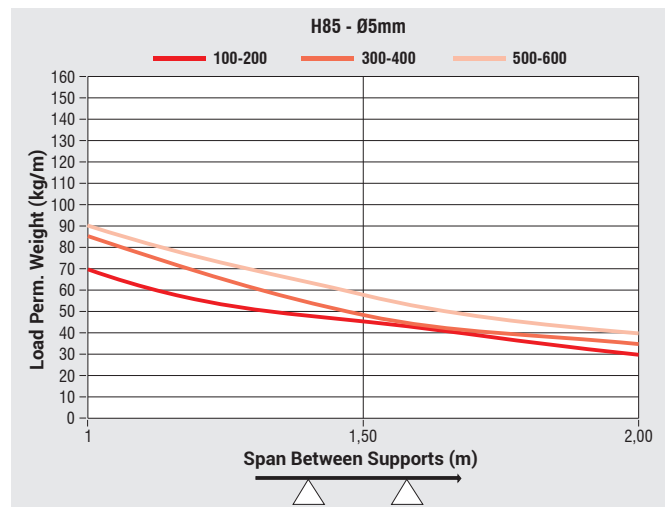
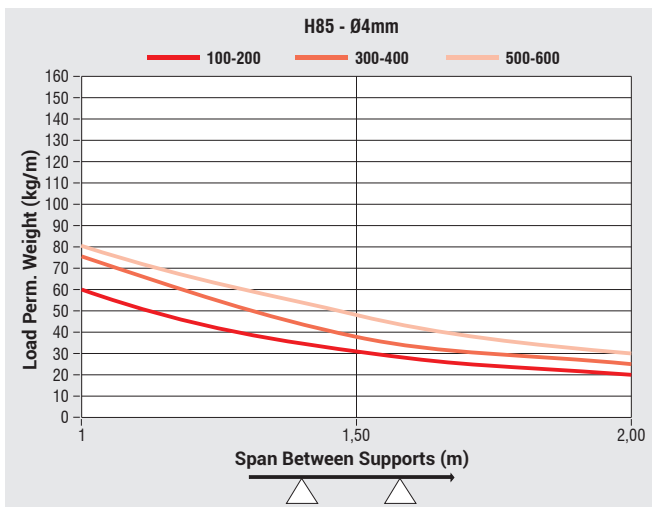
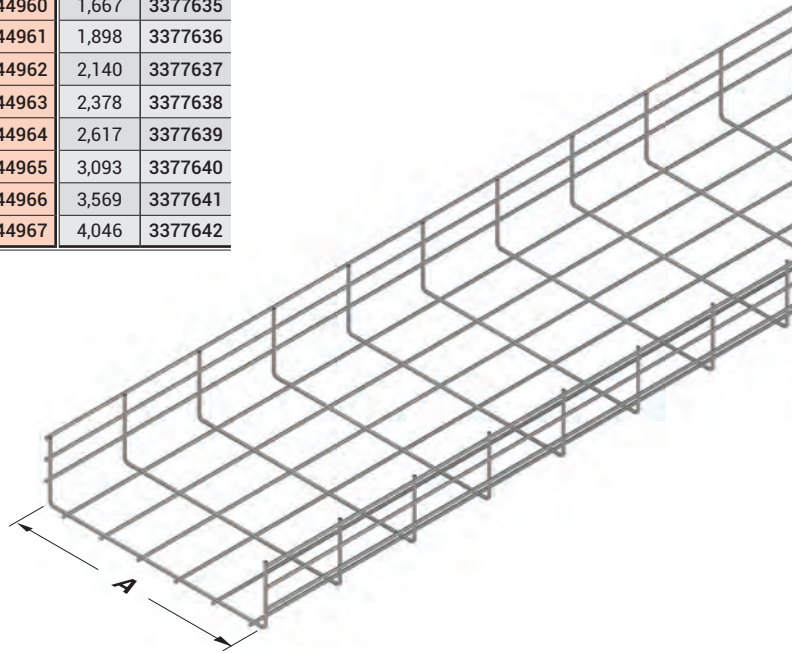
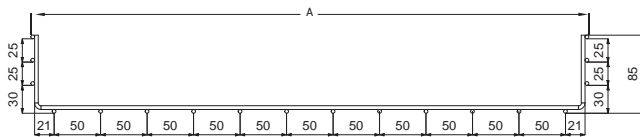
E-LINETLS

►► WIRE MESH TRAYS

Electrogalvanized (TS 149), Hot Dip Galvanized (TS EN ISO 1461), Stainless Steel (SS304 -SS316)



Description	H (mm)	A (mm)	T (mm)	Weight (kg/m)	EG Code	Weight (kg/m)	HDG Code	Weight (kg/m)	SS Code
085 TLS 100	85	100	4	1,047	3377611	1,100	3344952	1,068	3377627
085 TLS 150	85	150	4	1,198	3377612	1,258	3344953	1,221	3377628
085 TLS 200	85	200	4	1,348	3377613	1,416	3344954	1,374	3377629
085 TLS 250	85	250	4	1,498	3377614	1,573	3344955	1,527	3377630
085 TLS 300	85	300	4	1,649	3377615	1,731	3344956	1,680	3377631
085 TLS 400	85	400	4	1,949	3377616	2,047	3344957	1,987	3377632
085 TLS 500	85	500	4	2,250	3377617	2,362	3344958	2,293	3377633
085 TLS 600	85	600	4	2,551	3377618	2,678	3344959	2,599	3377634
085 TLS 100	85	100	5	1,636	3377619	1,718	3344960	1,667	3377635
085 TLS 150	85	150	5	1,863	3377620	1,956	3344961	1,898	3377636
085 TLS 200	85	200	5	2,100	3377621	2,205	3344962	2,140	3377637
085 TLS 250	85	250	5	2,334	3377622	2,451	3344963	2,378	3377638
085 TLS 300	85	300	5	2,568	3377623	2,696	3344964	2,617	3377639
085 TLS 400	85	400	5	3,035	3377624	3,187	3344965	3,093	3377640
085 TLS 500	85	500	5	3,502	3377625	3,678	3344966	3,569	3377641
085 TLS 600	85	600	5	3,970	3377626	4,168	3344967	4,046	3377642



■ Load Perm. Weight may change +/- according to the sheet tolerance and hardness. Please contact to your customer representative for detailed information.

- Please indicate order code in your orders.
- Please contact us for special dimensions.
- Material weights may vary by ± 10%

■ All dimensions are given as in mm

- EG= Electrogalvanized
- SS= Stainless Steel
- PG= Pre-Galvanized
- HDG= Hot Dip Galvanized

TLS

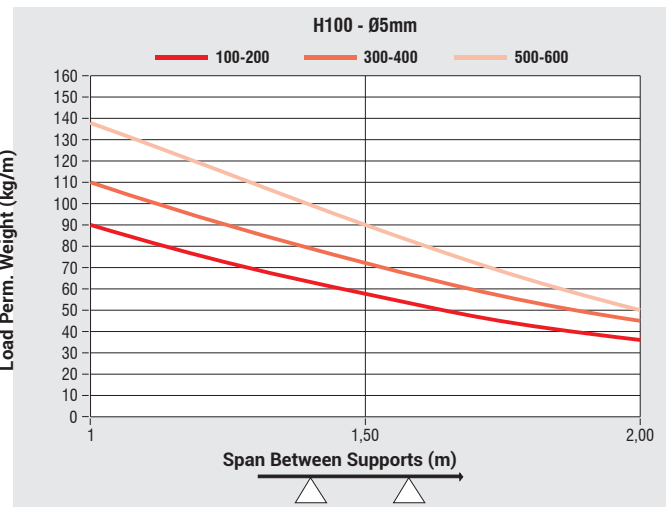
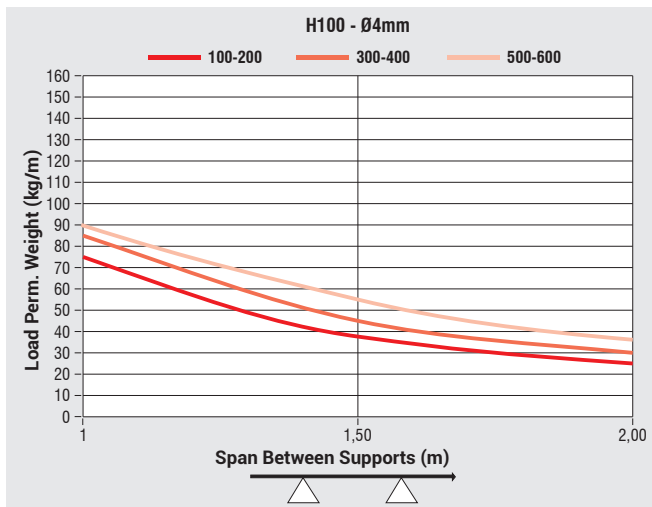
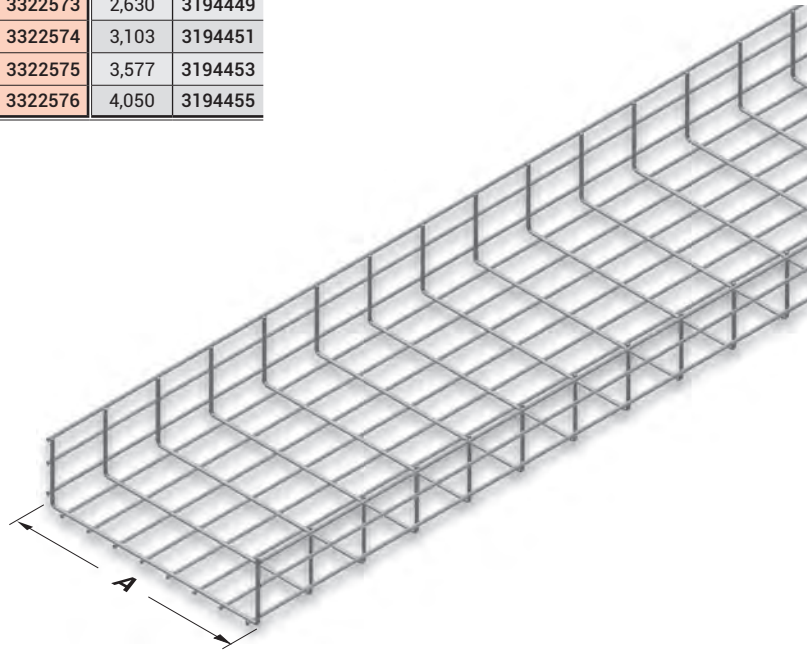
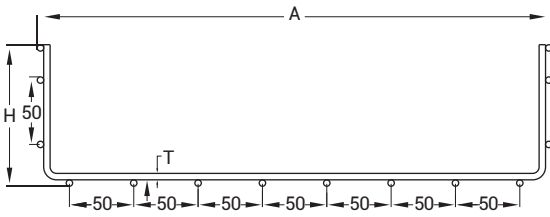
E-LINETLS

►► WIRE MESH TRAYS

Electrogalvanized (TS 149), Hot Dip Galvanized (TS EN ISO 1461), Stainless Steel (SS304 -SS316)



Description	H (mm)	A (mm)	T (mm)	Weight (kg/m)	EG Code	Weight (kg/m)	HDG Code	Weight (kg/m)	SS Code
100 TLS 200	100	200	4	1,367	3178509	1,436	3322548	1,387	3194446
100 TLS 250	100	250	4	1,518	3194609	1,594	3322549	1,540	3194626
100 TLS 300	100	300	4	1,668	3178510	1,751	3322550	1,692	3194448
100 TLS 400	100	400	4	1,968	3178511	2,066	3322551	1,996	3194450
100 TLS 500	100	500	4	2,268	3178512	2,382	3322552	2,300	3194452
100 TLS 600	100	600	4	2,569	3178513	2,697	3322553	2,605	3194454
100 TLS 200	100	200	5	2,127	3178534	2,234	3322571	2,157	3194447
100 TLS 250	100	250	5	2,361	3194604	2,479	3322572	2,394	3194627
100 TLS 300	100	300	5	2,594	3178535	2,724	3322573	2,630	3194449
100 TLS 400	100	400	5	3,061	3178536	3,215	3322574	3,103	3194451
100 TLS 500	100	500	5	3,529	3178537	3,705	3322575	3,577	3194453
100 TLS 600	100	600	5	3,996	3178538	4,196	3322576	4,050	3194455



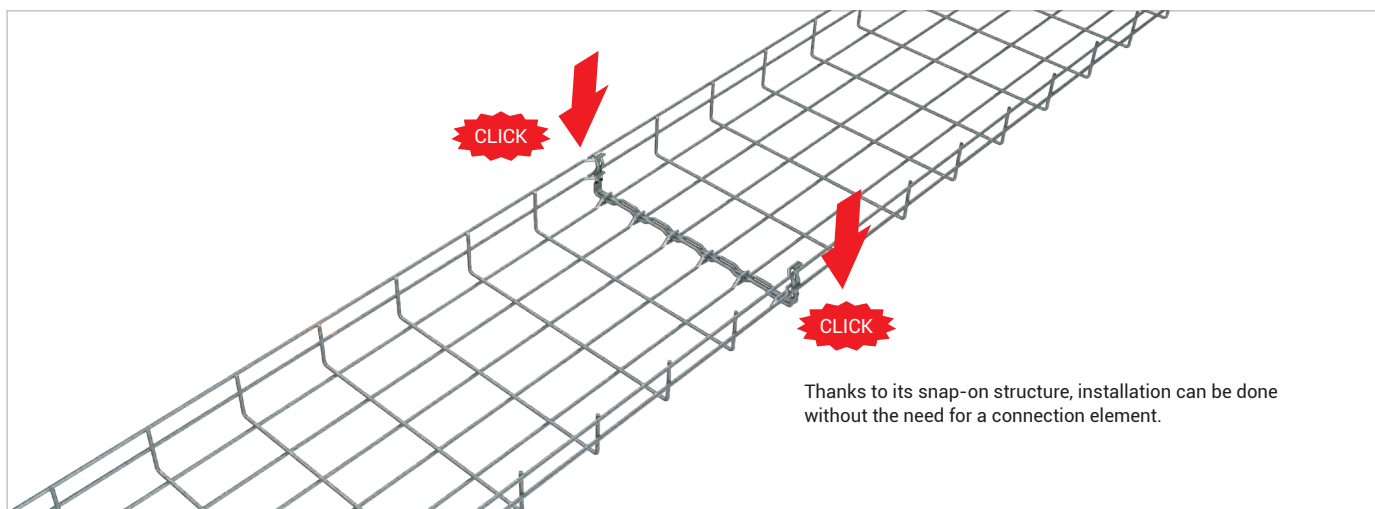
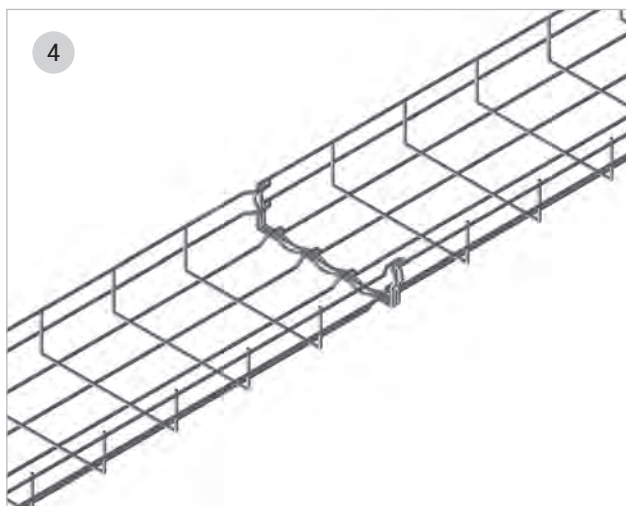
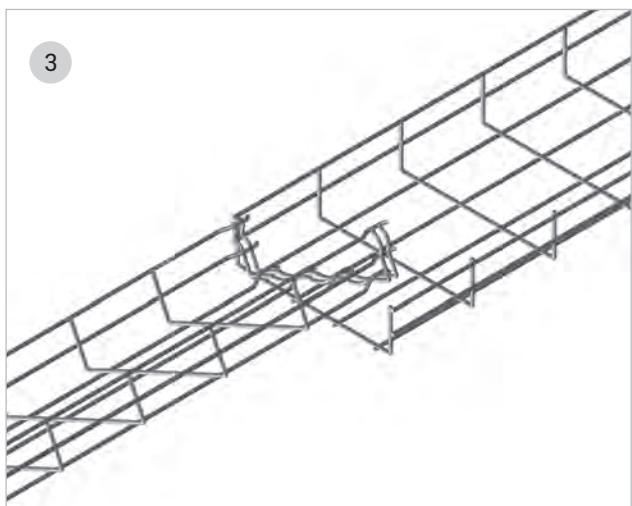
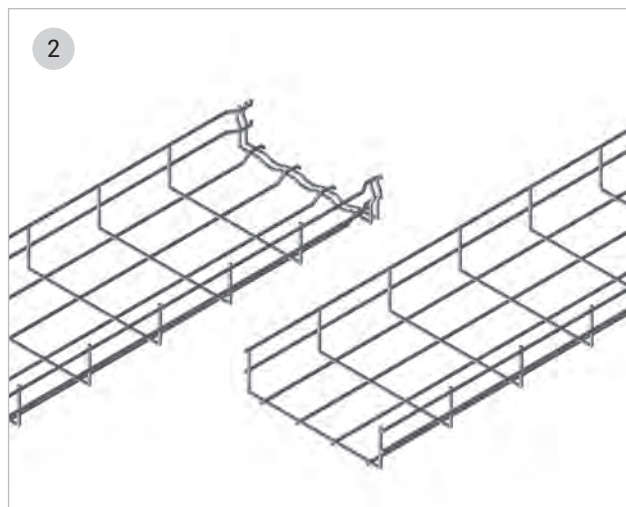
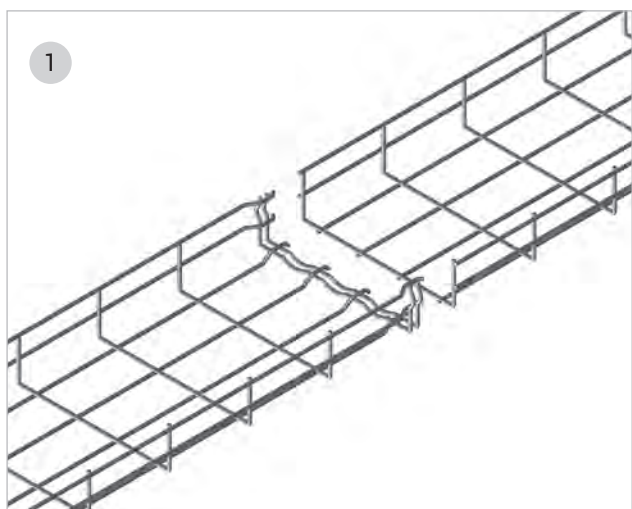
■ Load Perm. Weight may change +/- according to the sheet tolerance and hardness. Please contact to your customer representative for detailed information.

- Please indicate order code in your orders.
- Please contact us for special dimensions.
- Material weights may vary by ± 10%

- All dimensions are given as in mm
- EG= Electrogalvanized
- SS= Stainless Steel
- PG= Pre-Galvanized
- HDG= Hot Dip Galvanized

E-LINETLS

▶▶ SNAP-ON WIRE CABLE TRAY INSTALLATION STEPS



- Please indicate order code in your orders.
- Please contact us for special dimensions.
- Material weights may vary by $\pm 10\%$

■ All dimensions are given as in mm

- EG= Electrogalvanized
- SS= Stainless Steel
- PG= Pre-Galvanized
- HDG= Hot Dip Galvanized

E-LINETLS

▶▶ SNAP-ON WIRE CABLE TRAYS

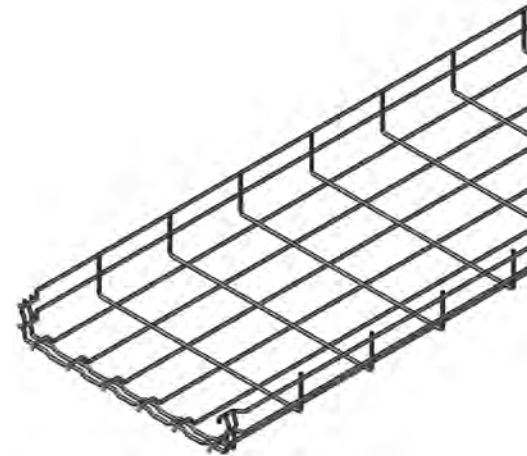
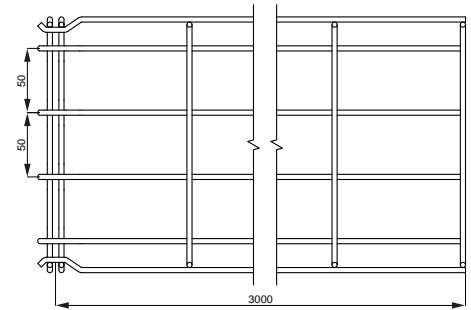
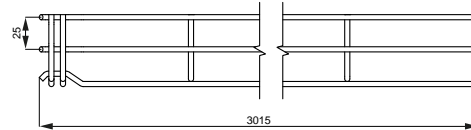
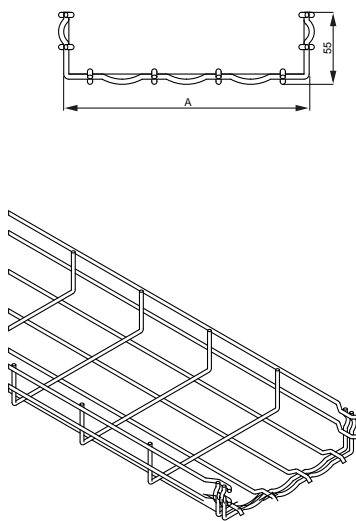


ElectroGalvanized (TS 149)

Description	H (mm)	A (mm)	T (mm)	Weight (kg/pcs)	EG Code
55 TLS-G 100	55	100	4	0,787	3204633
55 TLS-G 200	55	200	4	1,092	3204635
55 TLS-G 300	55	300	5	2,173	3204659
55 TLS-G 400	55	400	5	2,647	3204660
55 TLS-G 500	55	500	5	3,121	3204661
55 TLS-G 600	55	600	5	3,596	3204662

Stainless Steel (AISI 304)

Description	H (mm)	A (mm)	T (mm)	Weight (kg/pcs)	EG Code
55 TLS-G 100	55	100	4	0,803	3204678
55 TLS-G 200	55	200	4	1,114	3204680
55 TLS-G 300	55	300	5	2,215	3204705
55 TLS-G 400	55	400	5	2,699	3204706
55 TLS-G 500	55	500	5	3,121	3204707
55 TLS-G 600	55	600	5	3,666	3204708



- Please indicate order code in your orders.
- Please contact us for special dimensions.
- Material weights may vary by ± 10%

■ All dimensions are given as in mm

- EG= ElectroGalvanized
- SS= Stainless Steel
- PG= Pre-Galvanized
- HDG= Hot Dip Galvanized

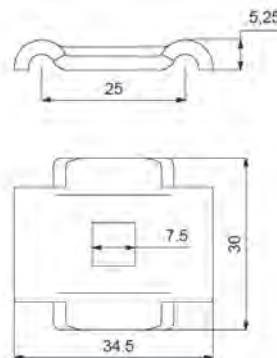
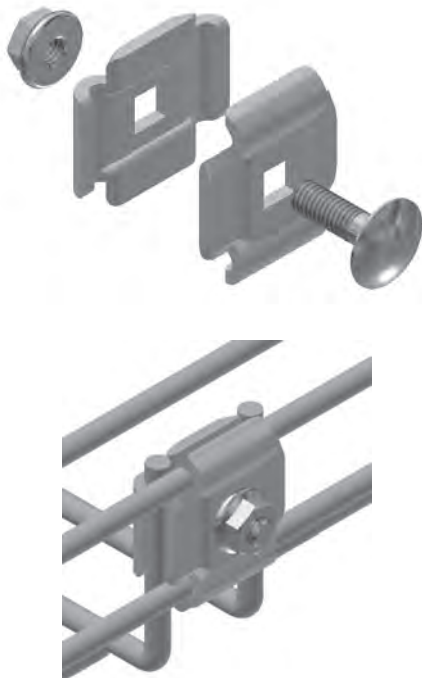
Description	T (mm)	Weight (kg/pcs)	Order Code
TLS Wire Mesh Bolt (EG: Electrogalvanized)	2,5	0,040	3000624
M6x20 Round Head Bolt Set (EG: Electrogalvanized)	-	0,020	1002984
TLS Wire Mesh Bolt (AISI 304)	2,5	0,040	3000625
M6x20 Round Head Bolt Set (EG: AISI 304)	-	0,020	1000923
TLS Tel kanal eki (Alkali lak)	2,5	0,040	3362500

"1 set joint fitting includes 2 piece wire mesh joint fitting"

For joining fitting assembly;

- 1 piece of M6x20 round head bolt
- 1 M6 nut must be ordered.

► APPLICATION EXAMPLES



**► During Installation;
Number Of Additional Elements To Be Used:**

Tray Width	H35			H55			H75			H85			H100		
	Side ↓	Bottom ↔	Total	Side ↓	Bottom ↔	Total	Side ↓	Bottom ↔	Total	Side ↓	Bottom ↔	Total	Side ↓	Bottom ↔	Total
100	2	0	2	2	0	2	2	0	2	2	0	2	2	0	2
150	2	0	2	2	0	2	2	0	2	2	0	2	2	0	2
200	2	1	3	2	1	3	4	1	5	4	1	5	4	1	5
250	2	1	3	2	1	3	4	1	5	4	1	5	4	1	5
300	2	2	4	2	2	4	4	2	6	4	2	6	4	2	6
400	2	2	4	2	2	4	4	2	6	4	2	6	4	2	6
500	2	3	5	2	3	5	4	3	7	4	3	7	4	3	7
600	2	3	5	2	3	5	4	3	7	4	3	7	4	3	7

- Please indicate order code in your orders.
- Please contact us for special dimensions.
- Material weights may vary by ± 10%

- All dimensions are given as in mm
- EG= Electrogalvanized
- SS= Stainless Steel
- PG= Pre-Galvanized
- HDG= Hot Dip Galvanized

E-LINETLS

►► WIRE MESH JOINT FITTING

Electrogalvanized (TS 149)



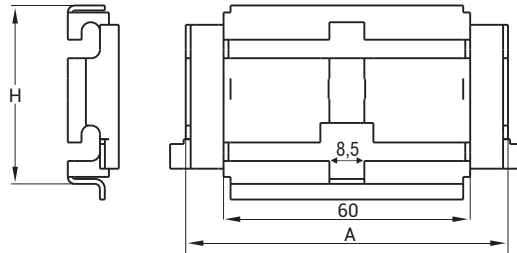
Description	H (mm)	A (mm)	T (mm)	Weight (kg/pcs)	EG Code
WIRE CONDUIT JOINT (Boltless)	45	78	1,2	0,047	3108825
WIRE CONDUIT JOINT (Boltless Bottom)	35	59	1,2	0,020	3125835

- Wire Mesh Boltless Lateral Joint is used in \varnothing 4 mm / H: 055 - H: 100 / A : 100-250-300-400-500-600 Wire Cable Mesh.
- Wire Mesh Boltless Lateral Joint is not used in \varnothing 5 mm Wire Cable Mesh
- 1 piece of Wire Mesh Boltless Bottom Joint is used for A:200-250 where 2 pieces are used for A: 300-400 and 3 pieces are used for A: 500-600.

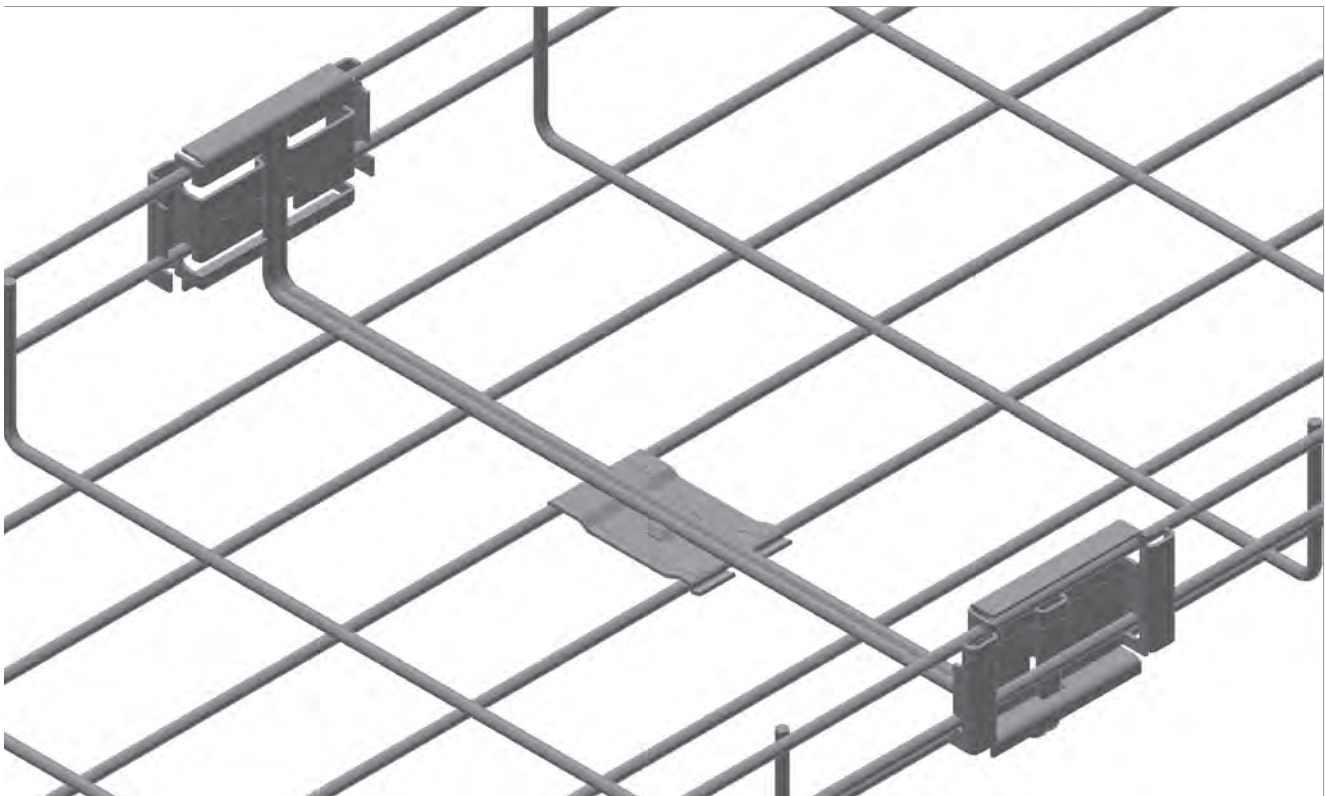
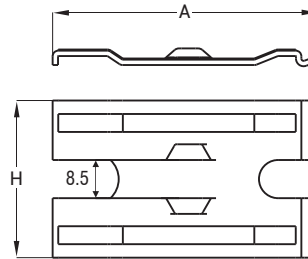
PATENT NO 2017 02893



Wire Mesh Boltless Lateral Joint



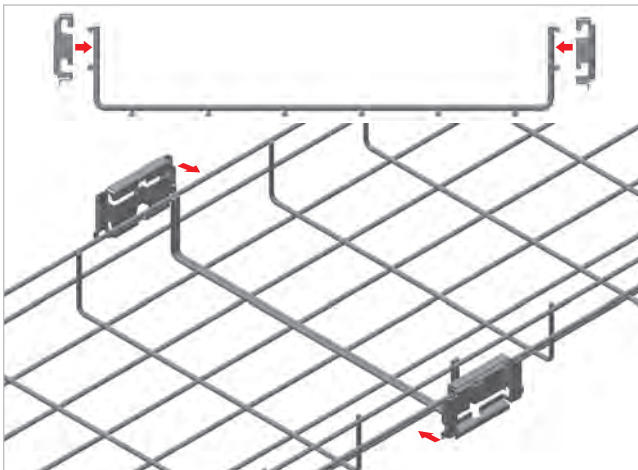
Wire Mesh Boltless Bottom Joint



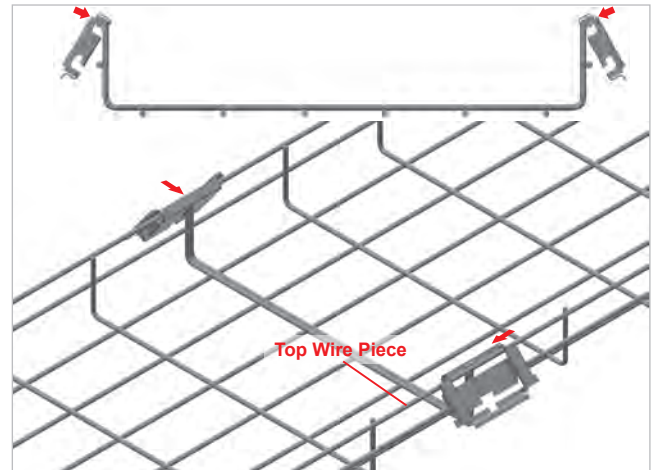
- Please indicate order code in your orders.
- Please contact us for special dimensions.
- Material weights may vary by \pm 10%

■ All dimensions are given as in mm

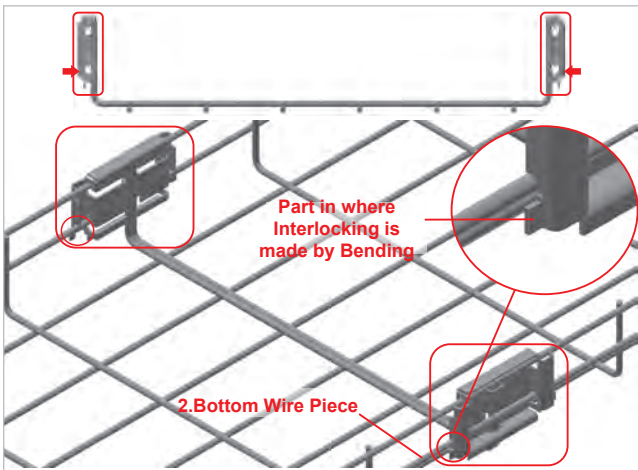
- EG= Electrogalvanized
- SS= Stainless Steel
- PG= Pre-Galvanized
- HDG= Hot Dip Galvanized



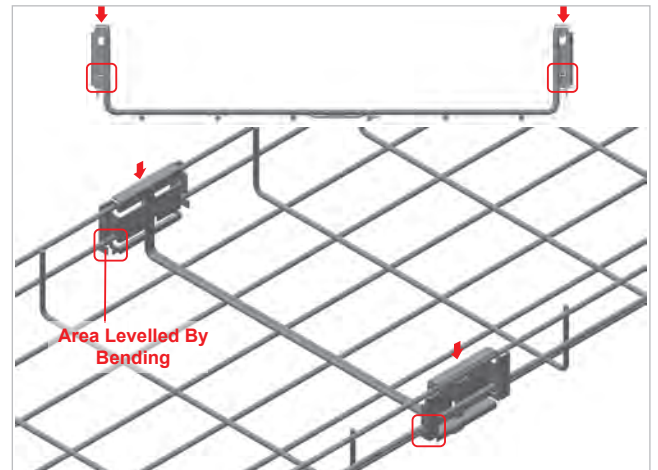
■ Wire mesh boltless lateral joint elements are aligned on junction wires of two wire mesh as shown on the figure.



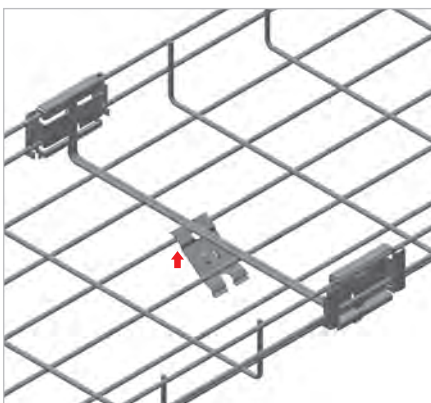
■ Upper wire slot of the lateral joint element is placed as angular on upper wire of wire mesh.



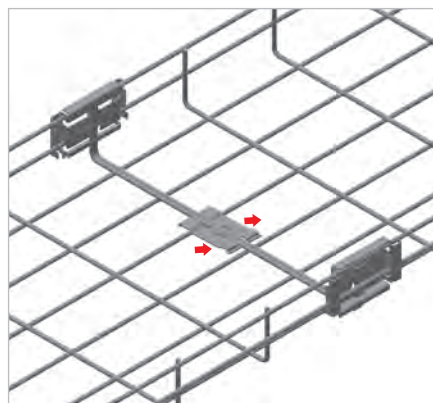
■ Bottom wire mesh of the lateral joint element is placed on the bottom wire of the wire mesh.



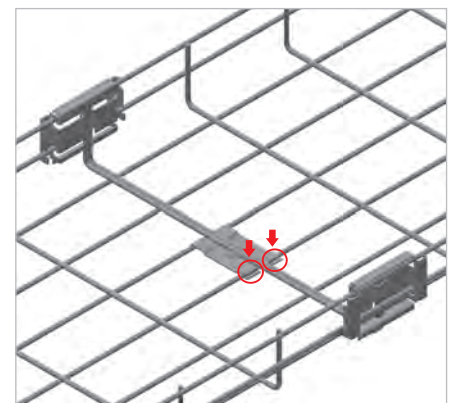
■ Wire mesh tray lateral joint elements are clamped by hand towards top to down direction. The assembly step shall be completed by bending 2 latches corresponding to the lower part of the bottom wire with the help of a pincer with an angle of 90°.



■ Bottom Joint element is fixed from the lower side of the conduit as shown in the figure.



■ Bottom Joint element is slid upon levelling after passing through the bottom of the conduit.



■ Interlocking process is performed by pressing tips of bottom joint element by hand.

- Please indicate order code in your orders.
- Please contact us for special dimensions.
- Material weights may vary by ± 10%

■ All dimensions are given as in mm

- EG= Electrogalvanized
- SS= Stainless Steel
- PG= Pre-Galvanized
- HDG= Hot Dip Galvanized

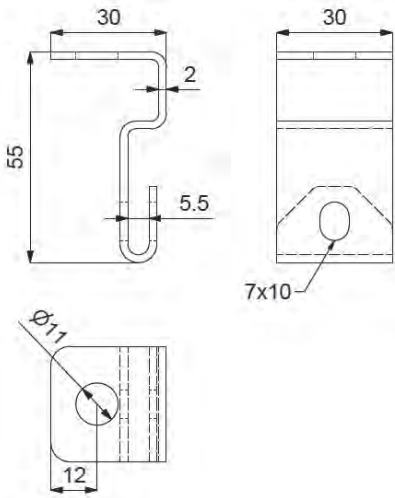
E-LINETLS

►► TLS SINGLE ROD Z-HOLDER

Pre-Galvanized (TS 10143), Hot Dip Galvanized (TS EN ISO 1461), Stainless Steel (SS304 -SS316)



Description	T (mm)	Weight (kg/pcs)	PG Code	Weight (kg/m)	HDG Code	Weight (kg/m)	SS Code
TLS SINGLE ROD Z-HOLDER (1 Set)	2	0,120	3179554	0,132	3359149	0,136	3376289



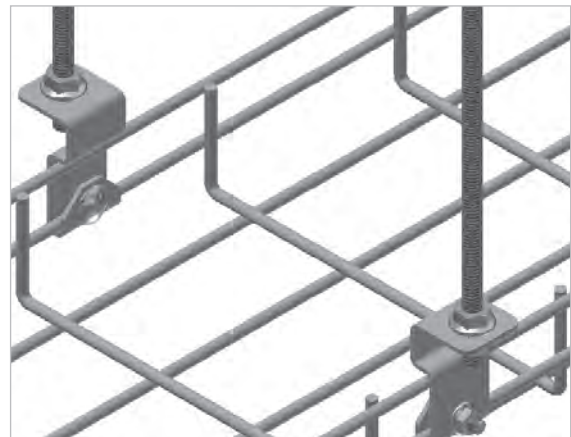
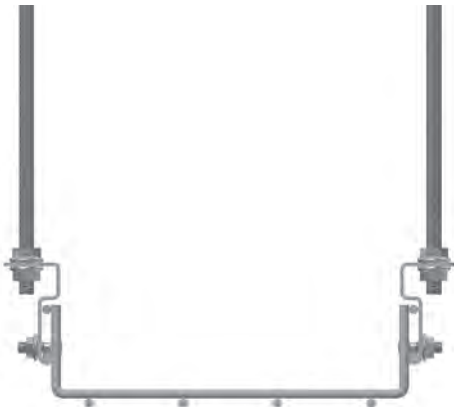
TLS SINGLE ROD Z-HOLDER" Contents Of 1 Set Of ;

- 2 Piece Z-HOLDER
- 2 Piece M6x20 Round Head Bolt
- 2 Piece M6 Nuts Should Be Used.

Necessary Accessories For Assembly ;

- 1 Piece Rod (M8 / M10 x L)
- 2 Piece Nut (M8 / M10)

► APPLICATION EXAMPLES



- Please indicate order code in your orders.
- Please contact us for special dimensions.
- Material weights may vary by $\pm 10\%$

■ All dimensions are given as in mm

- EG= Electrogalvanized
- SS= Stainless Steel
- PG= Pre-Galvanized
- HDG= Hot Dip Galvanized

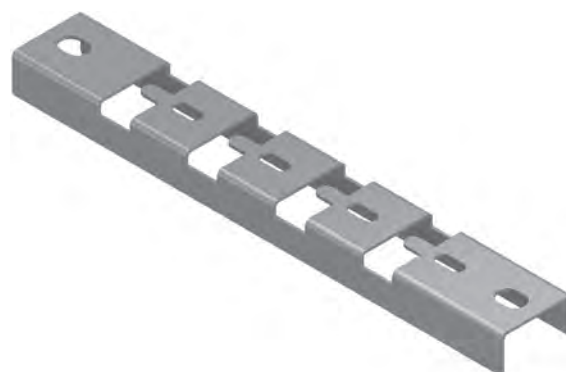
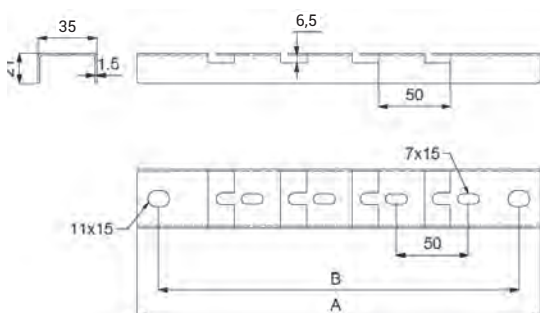
E-LINETLS

►► TLS SNAP-ON U-PROFILE 41x21x1,5

Pre-Galvanized (TS 10143), Hot Dip Galvanized (TS EN ISO 1461), Stainless Steel (SS304 -SS316)



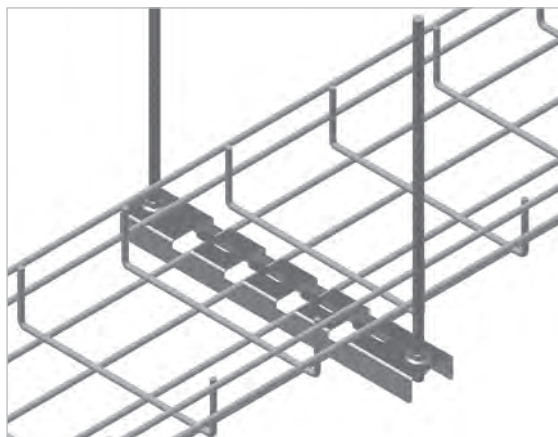
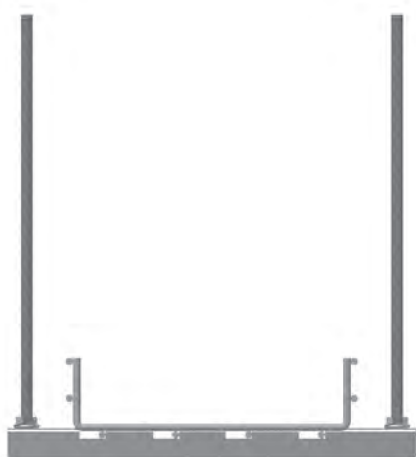
Description	A (mm)	B (mm)	T (mm)	Weight (kg/pcs)	PG Code	Weight (kg/m)	HDG Code	Weight (kg/m)	SS Code
TLS SNAP-ON U-PROFILE 050	130	100	1,5	0,085	3179559	0,093	3359168	0,087	3376290
TLS SNAP-ON U-PROFILE 100	180	140	1,5	0,124	3179560	0,136	3359169	0,126	3376291
TLS SNAP-ON U-PROFILE 150	230	190	1,5	0,155	3179561	0,170	3359170	0,158	3376292
TLS SNAP-ON U-PROFILE 200	280	240	1,5	0,186	3179562	0,204	3359171	0,190	3376293
TLS SNAP-ON U-PROFILE 250	330	290	1,5	0,217	3179563	0,238	3359154	0,221	3376294
TLS SNAP-ON U-PROFILE 300	380	340	1,5	0,248	3179564	0,273	3359155	0,253	3376295
TLS SNAP-ON U-PROFILE 400	480	440	1,5	0,310	3179565	0,341	3359156	0,316	3376296
TLS SNAP-ON U-PROFILE 500	580	540	1,5	0,372	3179566	0,409	3359157	0,379	3376297
TLS SNAP-ON U-PROFILE 600	680	640	1,5	0,435	3179567	0,478	3359158	0,443	3376298



Wire Mesh Joint Fitting Assembly;

- 2 piece Rod (M8 / M10 x L)
- 4 piece Nut (M8 / M10)

► APPLICATION EXAMPLES



- Please indicate order code in your orders.
- Please contact us for special dimensions.
- Material weights may vary by ± 10%

■ All dimensions are given as in mm

- EG= Electrogalvanized
- SS= Stainless Steel
- PG= Pre-Galvanized
- HDG= Hot Dip Galvanized

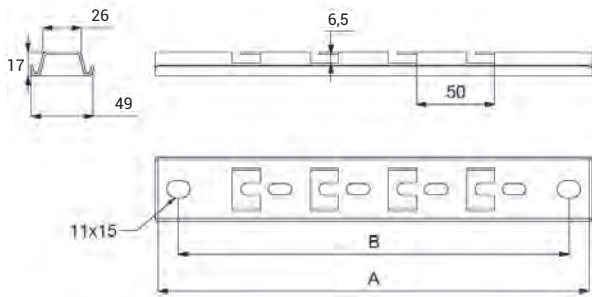
E-LINETLS

►► TLS SNAP-ON OMEGA-PROFILE 41x15x1,5

Pre-Galvanized (TS 10143), Hot Dip Galvanized (TS EN ISO 1461), Stainless Steel (SS304 -SS316)



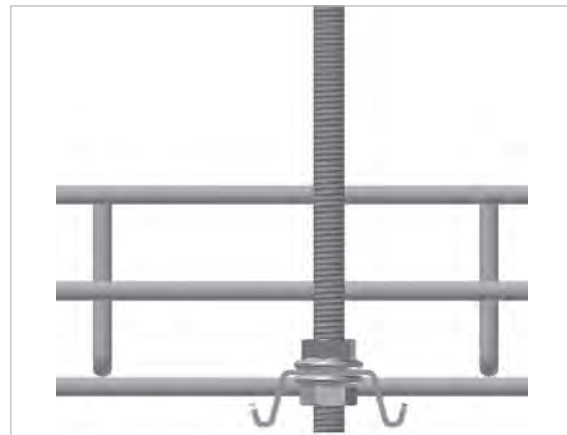
Description	A (mm)	B (mm)	T (mm)	Weight (kg/pcs)	PG Code	Weight (kg/m)	HDG Code	Weight (kg/m)	SS Code
TLS SNAP-ON OMEGA-PROFILE 050	130	100	1,5	0,107	3179569	0,118	3359159	0,109	3376299
TLS SNAP-ON OMEGA-PROFILE 100	180	140	1,5	0,130	3179570	0,142	3359160	0,132	3376300
TLS SNAP-ON OMEGA-PROFILE 150	230	190	1,5	0,163	3179571	0,179	3359161	0,166	3376301
TLS SNAP-ON OMEGA-PROFILE 200	280	240	1,5	0,196	3179572	0,216	3359162	0,200	3376302
TLS SNAP-ON OMEGA-PROFILE 250	330	290	1,5	0,230	3179573	0,253	3359163	0,234	3376303
TLS SNAP-ON OMEGA-PROFILE 300	380	340	1,5	0,263	3179574	0,289	3359164	0,268	3376304
TLS SNAP-ON OMEGA-PROFILE 400	480	440	1,5	0,330	3179575	0,363	3359165	0,336	3376305
TLS SNAP-ON OMEGA-PROFILE 500	580	540	1,5	0,396	3179576	0,436	3359166	0,404	3376306
TLS SNAP-ON OMEGA-PROFILE 600	680	640	1,5	0,463	3179577	0,509	3359167	0,472	3376307



Necessary Accessories For Assembly ;

- 2 Piece Rod (M8 / M10 x L)
- 4 Piece Nut (M8 / M10)

► APPLICATION EXAMPLES



- Please indicate order code in your orders.
- Please contact us for special dimensions.
- Material weights may vary by $\pm 10\%$

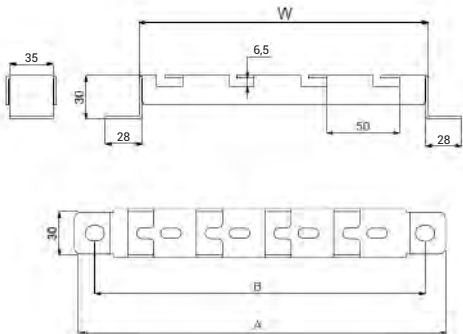
■ All dimensions are given as in mm

- EG= Electrogalvanized
- SS= Stainless Steel
- PG= Pre-Galvanized
- HDG= Hot Dip Galvanized

►► TLS OMEGA-DUCT CARRIER

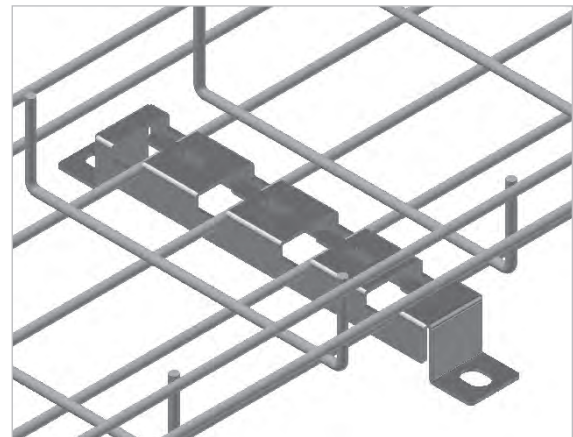
Pre-Galvanized (TS 10143), Hot Dip Galvanized (TS EN ISO 1461), Stainless Steel (SS304 -SS316)

Description	A (mm)	B (mm)	W (mm)	T (mm)	Weight (kg/pcs)	PG Code	Weight (kg/m)	HDG Code	Weight (kg/m)	SS Code
TLS Tabbed OMEGA-Duct Carrier 050	120	90	68	2	0,091	3179593	0,100	3359168	0,093	3376308
TLS Tabbed OMEGA-Duct Carrier 100	170	140	118	2	0,143	3179594	0,157	3359169	0,146	3376309
TLS Tabbed OMEGA-Duct Carrier 150	220	190	168	2	0,184	3179595	0,202	3359170	0,188	3376310
TLS Tabbed OMEGA-Duct Carrier 200	270	240	218	2	0,224	3179596	0,246	3359171	0,228	3376311
TLS Tabbed OMEGA-Duct Carrier 250	320	290	268	2	0,265	3179597	0,291	3359172	0,270	3376312
TLS Tabbed OMEGA-Duct Carrier 300	370	340	318	2	0,306	3179598	0,336	3359173	0,312	3376313



Necessary accessories for assembly ;
 • 2 pieces Dowel (M8 / M10)

► APPLICATION EXAMPLES



- Please indicate order code in your orders.
- Please contact us for special dimensions.
- Material weights may vary by ± 10%

■ All dimensions are given as in mm

- EG= Electrogalvanized
- SS= Stainless Steel
- PG= Pre-Galvanized
- HDG= Hot Dip Galvanized

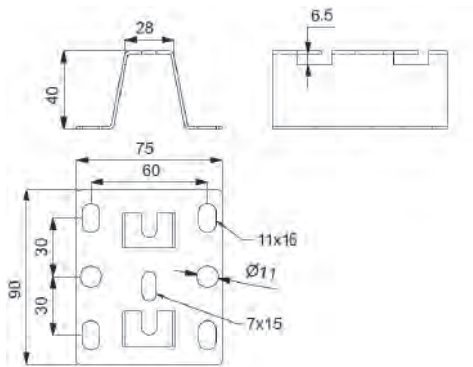
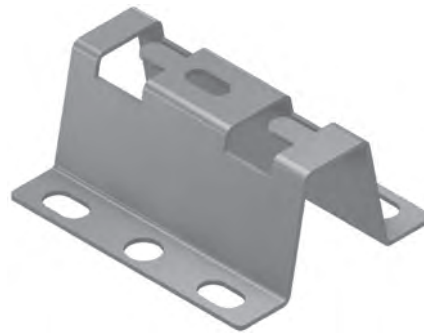
E-LINETLS

►► TLS V DUCT CARRIER

Pre-Galvanized (TS 10143)



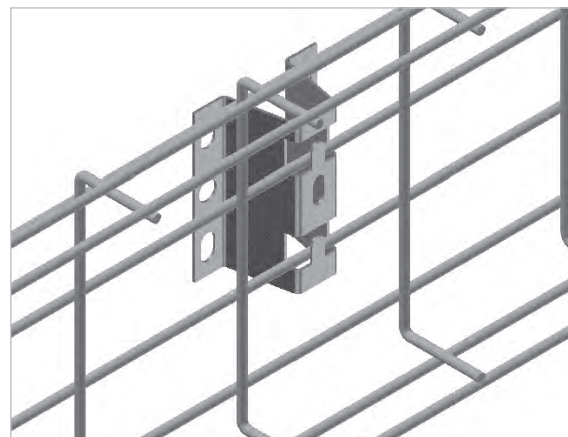
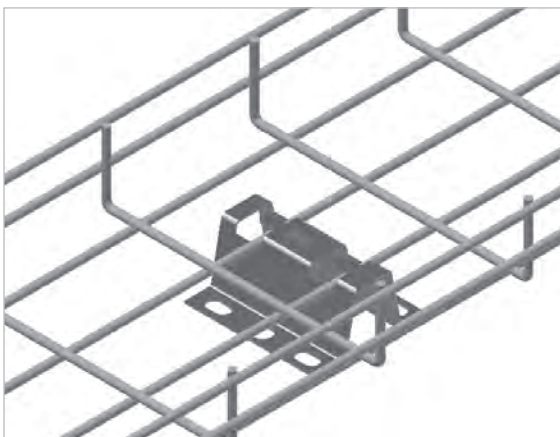
Description	T (mm)	Weight (kg/set)	PG Code
TLS V DUCT CARRIER	1,5	0,123	3179599



Necessary Accessories For Assembly ;

- 2 pcs. Dowel (M8 / M10) (Ground Mounting)

► APPLICATION EXAMPLES



- Please indicate order code in your orders.
- Please contact us for special dimensions.
- Material weights may vary by $\pm 10\%$

■ All dimensions are given as in mm

- EG= Electrogalvanized
- SS= Stainless Steel
- PG= Pre-Galvanized
- HDG= Hot Dip Galvanized

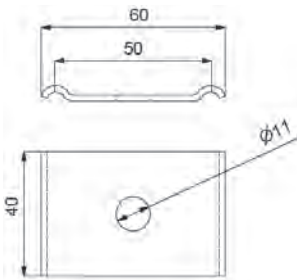
E-LINETLS

►► TLS FIXING UNIT

Pre-Galvanized (TS 10143)



Description	T (mm)	Weight (kg/set)	PG Code
TLS FIXING UNIT	2	0,037	3179600



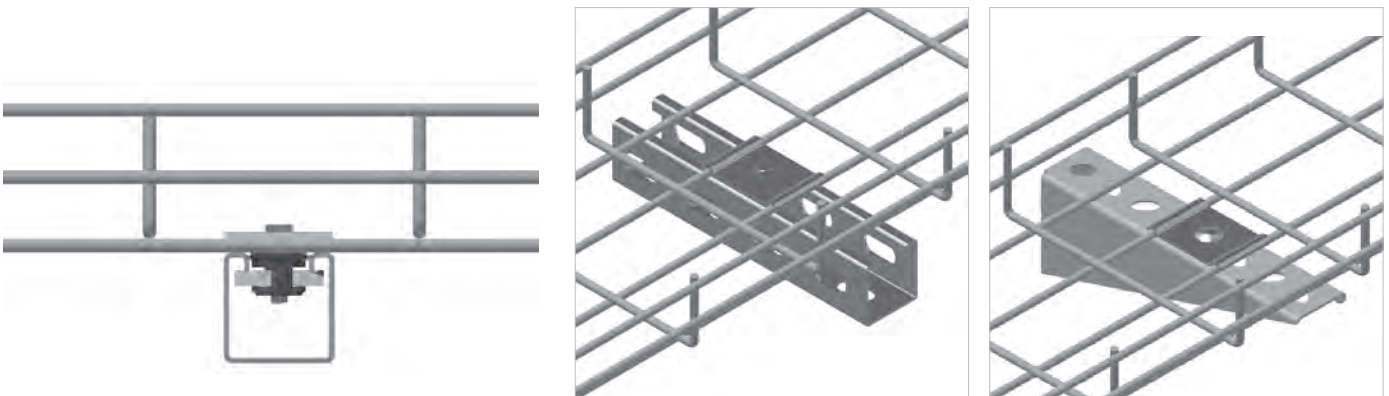
Accessories required to secure to BINRAK Profile;

- 1 AKB bolt pcs. (M8 x 20)
- 1 washer pcs. (M8)
- 1 Quick Traverse Nut pcs. (M8)

Accessories required to secure to the console;

- 1 pcs. M6 x 20 round head bolt.
- 1 adet M6 flanged nut.

► APPLICATION EXAMPLES



- Please indicate order code in your orders.
- Please contact us for special dimensions.
- Material weights may vary by $\pm 10\%$

■ All dimensions are given as in mm

- EG= Electrogalvanized
- SS= Stainless Steel
- PG= Pre-Galvanized
- HDG= Hot Dip Galvanized

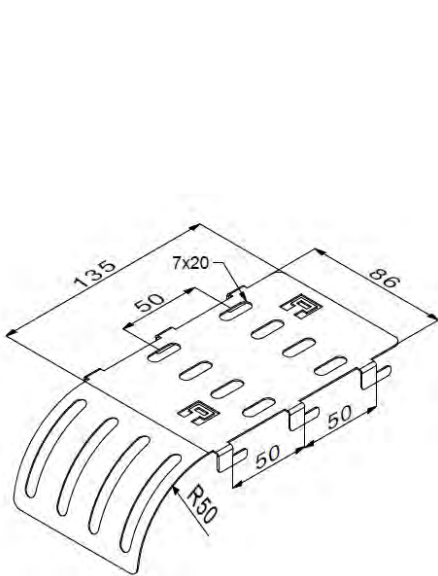
E-LINETLS

►► TLS LANDING PLATE

Pre-Galvanized (TS 10143), Hot Dip Galvanized (TS EN ISO 1461), Stainless Steel (SS304 -SS316)

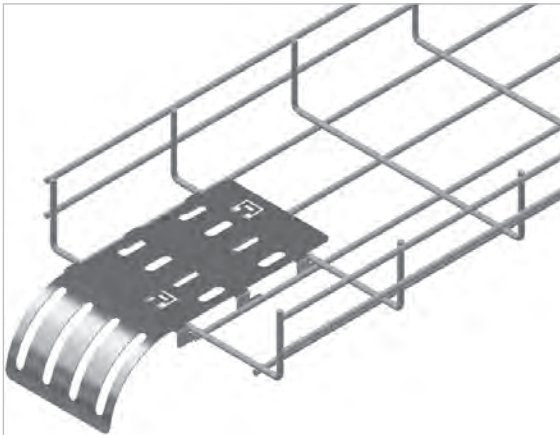


Description	R (mm)	T (mm)	Weight (kg/set)	PG Code	Weight (kg/m)	HDG Code	Weight (kg/m)	SS Code
TLS Landing Plate	50	1,2	0,155	3179601	0,173	3376482	0,161	3376316

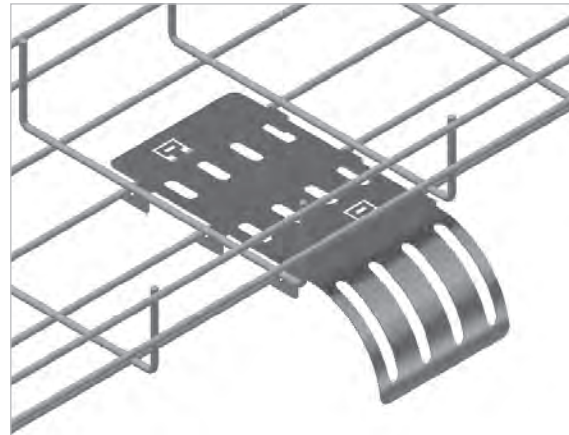


► APPLICATION EXAMPLES

End Landing Mounting Application



Side Landing Mounting Application



- Please indicate order code in your orders.
- Please contact us for special dimensions.
- Material weights may vary by ± 10%

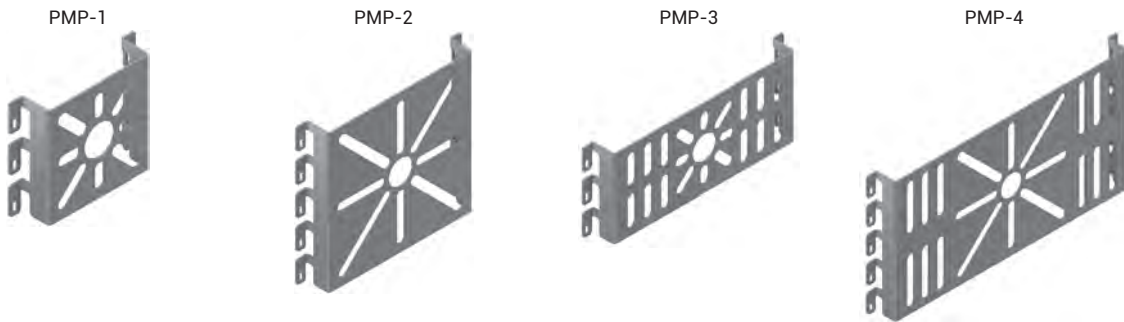
■ All dimensions are given as in mm

- EG= Electrogalvanized
- SS= Stainless Steel
- PG= Pre-Galvanized
- HDG= Hot Dip Galvanized

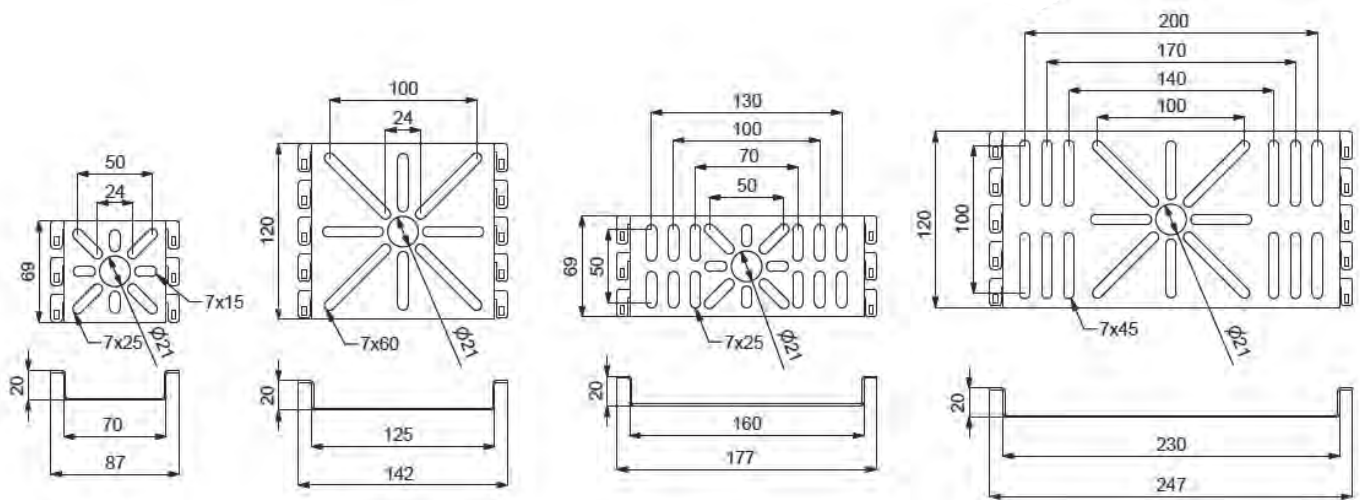
►► TLS MOUNTING PLATE

Pre-Galvanized (TS 10143), Hot Dip Galvanized (TS EN ISO 1461), Stainless Steel (SS304 -SS316)

Description	T (mm)	Weight (kg/set)	PG Code	Weight (kg/m)	HDG Code	Weight (kg/m)	SS Code
TLS PMP-1	1,2	0,056	3179602	0,059	3376483	0,055	3376317
TLS PMP-2	1,2	0,158	3179603	0,164	3376484	0,152	3376318
TLS PMP-3	1,2	0,098	3179604	0,100	3376485	0,093	3376319
TLS PMP-4	1,2	0,238	3179605	0,245	3376486	0,227	3376320



► APPLICATION EXAMPLES



- Please indicate order code in your orders.
- Please contact us for special dimensions.
- Material weights may vary by ± 10%

■ All dimensions are given as in mm

- EG= Electrogalvanized
- SS= Stainless Steel
- PG= Pre-Galvanized
- HDG= Hot Dip Galvanized

E-LINETLS

►► TLS UNION OUTLET ELEMENT

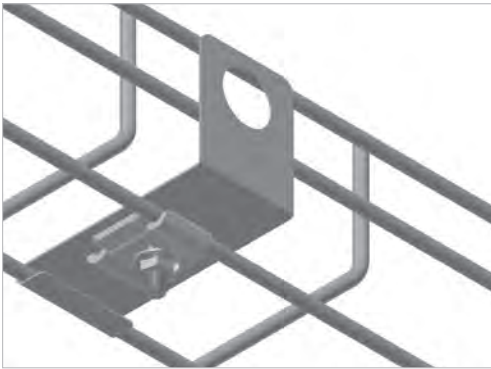
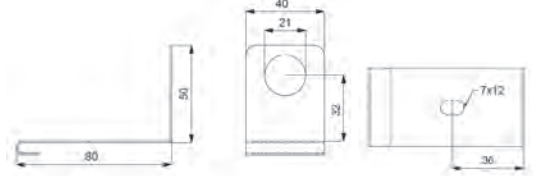
Pre-Galvanized (TS 10143), Hot Dip Galvanized (TS EN ISO 1461), Stainless Steel (SS304 -SS316)



Description	Ø (mm)	T (mm)	Weight (kg/set)	PG Code	Weight (kg/m)	HDG Code	Weight (kg/m)	SS Code
TLS Union Outlet Element (1 Set)	21	1,2	0,112	3179606	0,123	3376487	0,110	3376321

"Union Outlet Element" Content of 1 set;

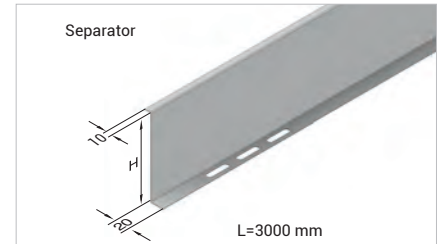
- 1 pcs. Union Outlet Element
- 1 pcs. "Cable Basket Joint Fitting"
- 1 pcs. Round Head Bolt M6x20
- 1 pcs. Nut M6.



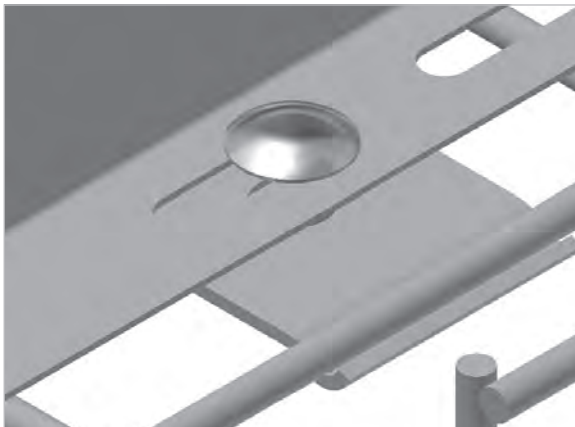
► Separator

Pre-Galvanized (TS 10143), Hot Dip Galvanized (TS EN ISO 1461), Stainless Steel (SS304 -SS316)

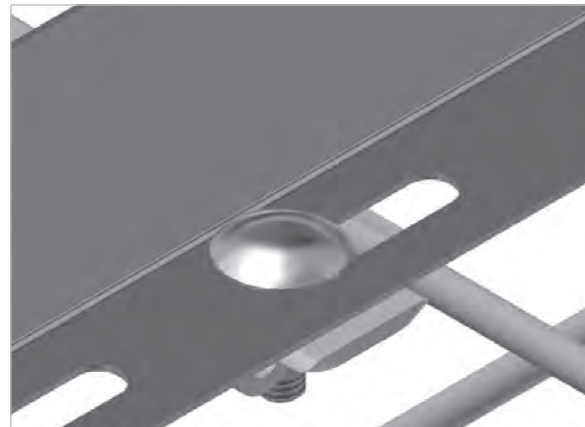
Description	H (mm)	T (mm)	Weight (kg/m)	PG Code	Weight (kg/m)	HDG Code	Weight (kg/m)	SS Code
35 TLS Separator	25	0,8	0,909	3179608	0,319	3330589	0,296	3376327
55 TLS Separator	45	0,8	1,284	3179609	0,376	3330590	0,349	3376328
75 TLS Separator	65	1	2,077	3377488	2,285	3377489	2,117	3377490
85 TLS Separator	75	1	2,313	3298329	0,492	3330594	0,456	3376330
100 TLS Separator	90	1	2,667	3179610	0,492	3330594	0,509	3376331



INSTALLATION WITH A FIXING ELEMENT



INSTALLATION WITH A WIRE MESH ATTACHMENT



- Please indicate order code in your orders.
- Please contact us for special dimensions.
- Material weights may vary by ± 10%

■ All dimensions are given as in mm

- EG= Electrogalvanized
- SS= Stainless Steel
- PG= Pre-Galvanized
- HDG= Hot Dip Galvanized

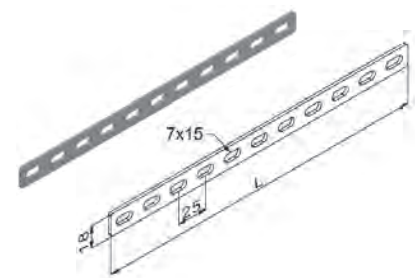
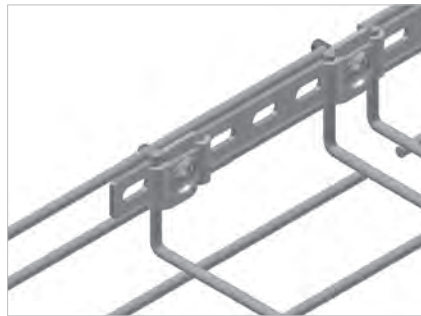
►► TLS SLOTTED STRAIGHT STRIP

Pre-Galvanized (TS 10143), Hot Dip Galvanized (TS EN ISO 1461), Stainless Steel (SS304 -SS316)

Description	H (mm)	L (mm)	T (mm)	Weight (kg/pcs)	PG Code	Weight (kg/m)	HDG Code	Weight (kg/m)	SS Code
TLS SLOTTED STRAIGHT STRIP 275	18	275	2,5	0,061	3179611	0,0671	3376488	0,062	3376322
TLS SLOTTED STRAIGHT STRIP 550	18	550	2,5	0,123	3179612	0,1353	3376489	0,125	3376323
TLS SLOTTED STRAIGHT STRIP 1100	18	1100	2,5	0,246	3179613	0,2706	3376490	0,251	3376324

Accessories that shall be ordered in addition to 1 piece of "Slotted Straight Strip":

- 3 pcs. Wire Mesh Joint Fitting
- 3 pcs. Round Head Bolt M6x20
- 3 pcs. Nut M6.



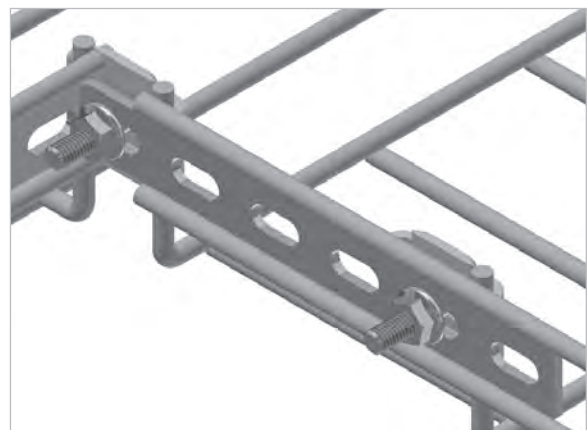
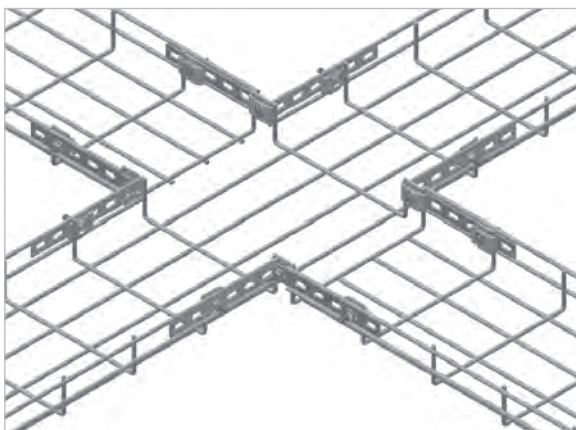
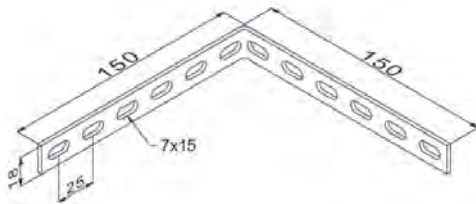
► TLS Slotted L-Strip

Pre-Galvanized (TS 10143), Hot Dip Galvanized (TS EN ISO 1461), Stainless Steel (SS304 -SS316)

Description	H (mm)	L (mm)	T (mm)	Weight (kg/pcs)	PG Code	Weight (kg/m)	HDG Code	Weight (kg/m)	SS Code
TLS SLOTTED L-STRIP	18	150x150	2,5	0,064	3179615	0,070	3376491	0,065	3376325

Accessories that shall be ordered in addition to 1 piece of "Slotted L-Strip":

- 3 pcs. Wire Mesh Joint Fitting
- 3 pcs. Round Head Bolt M6x20
- 3 pcs. Nut M6.



- Please indicate order code in your orders.
- Please contact us for special dimensions.
- Material weights may vary by ± 10%

■ All dimensions are given as in mm

- EG= Electrogalvanized
- SS= Stainless Steel
- PG= Pre-Galvanized
- HDG= Hot Dip Galvanized

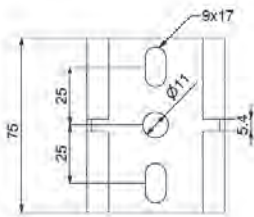
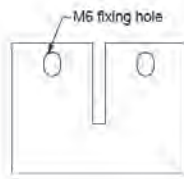
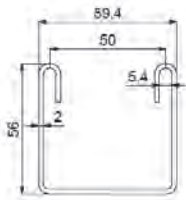
E-LINETLS

►► TLS FIXTURE HOLDER

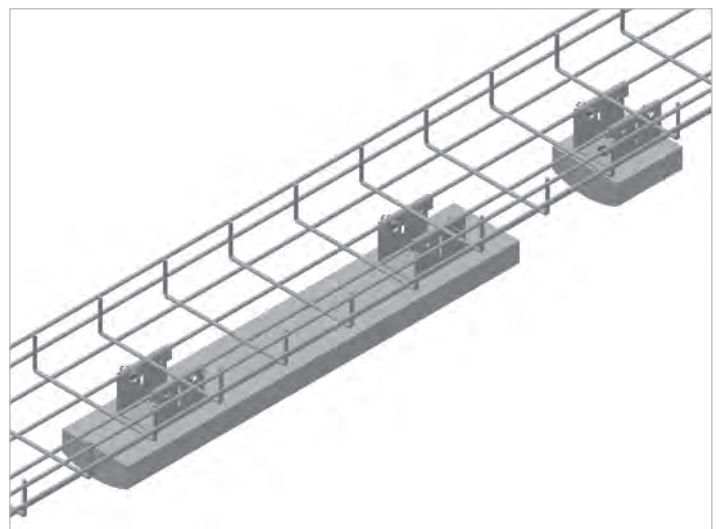
Pre-Galvanized (TS 10143), Hot Dip Galvanized (TS EN ISO 1461), Stainless Steel (SS304 -SS316)



Description	H (mm)	L (mm)	T (mm)	Weight (kg/pcs)	PG Code	Weight (kg/pcs)	HDG Code	Weight (kg/m)	SS Code
TLS FIXTURE HOLDER	56	75	2,0	0,212	3179616	0,233	3359174	0,216	3376326



► APPLICATION EXAMPLES

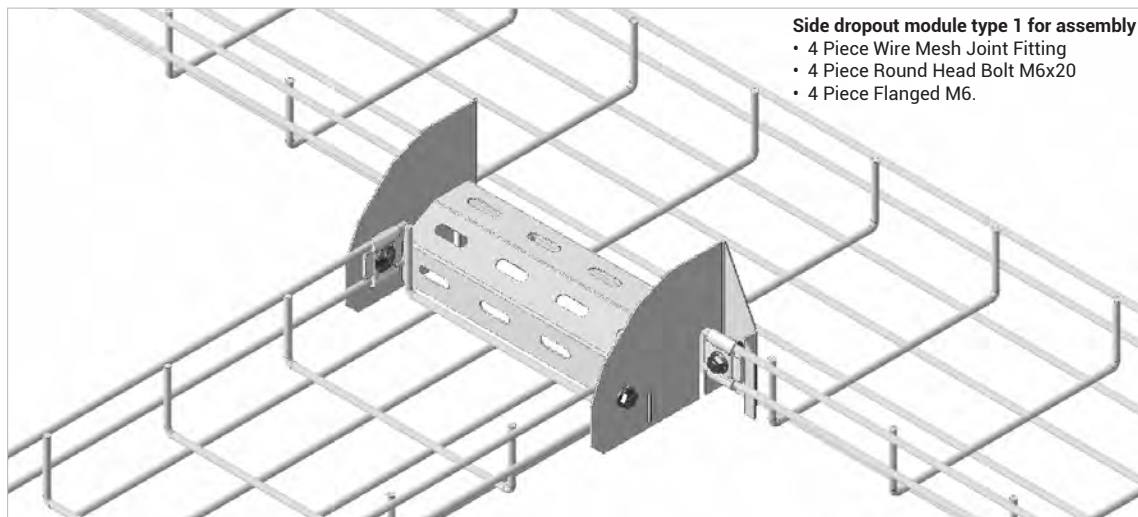
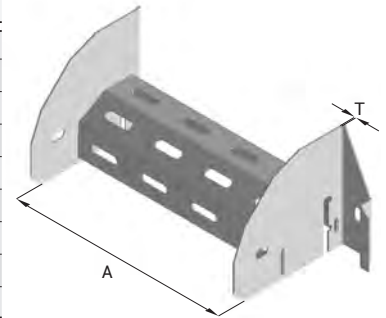


- Please indicate order code in your orders.
- Please contact us for special dimensions.
- Material weights may vary by ± 10%

■ All dimensions are given as in mm

- EG= Electrogalvanized
- SS= Stainless Steel
- PG= Pre-Galvanized
- HDG= Hot Dip Galvanized

Description	H (mm)	A (mm)	T (mm)	Weight (kg/pcs)	PG Code	Weight (kg/pcs)	HDG Code	Weight (kg/m)	SS Code
055 TLS Side Dropout Bend Type 1 - 050	55	50	1,2	0,290	3197355	0,319	3330589	0,296	3376327
055 TLS Side Dropout Bend Type 1 - 100	55	100	1,2	0,342	3197356	0,376	3330590	0,349	3376328
055 TLS Side Dropout Bend Type 1 - 150	55	150	1,2	0,394	3197357	0,433	3330593	0,402	3376329
055 TLS Side Dropout Bend Type 1 - 200	55	200	1,2	0,447	3197358	0,492	3330594	0,456	3376330
055 TLS Side Dropout Bend Type 1 - 250	55	250	1,2	0,499	3197359	0,549	3330595	0,509	3376331
055 TLS Side Dropout Bend Type 1 - 300	55	300	1,2	0,551	3197360	0,606	3330597	0,562	3376332
055 TLS Side Dropout Bend Type 1 - 400	55	400	1,2	0,656	3197361	0,722	3330600	0,669	3376333
055 TLS Side Dropout Bend Type 1 - 500	55	500	1,2	0,760	3197362	0,836	3330603	0,775	3376334
055 TLS Side Dropout Bend Type 1 - 600	55	600	1,2	0,865	3197363	0,952	3330614	0,882	3376336
075 TLS Side Dropout Bend Type 1 - 100	75	100	1,2	0,426	3377539	0,469	3377547	0,434	3377555
075 TLS Side Dropout Bend Type 1 - 150	75	150	1,2	0,491	3377540	0,540	3377548	0,500	3377556
075 TLS Side Dropout Bend Type 1 - 200	75	200	1,2	0,555	3377541	0,611	3377549	0,566	3377557
075 TLS Side Dropout Bend Type 1 - 250	75	250	1,2	0,620	3377542	0,682	3377550	0,632	3377558
075 TLS Side Dropout Bend Type 1 - 300	75	300	1,2	0,685	3377543	0,754	3377551	0,698	3377559
075 TLS Side Dropout Bend Type 1 - 400	75	400	1,2	0,814	3377544	0,895	3377552	0,830	3377560
075 TLS Side Dropout Bend Type 1 - 500	75	500	1,2	0,944	3377545	1,038	3377553	0,962	3377561
075 TLS Side Dropout Bend Type 1 - 600	75	600	1,2	1,074	3377546	1,181	3377554	1,095	3377562
085 TLS Side Dropout Bend Type 1 - 100	85	100	1,2	0,446	3345017	0,491	3345025	0,454	3376337
085 TLS Side Dropout Bend Type 1 - 150	85	150	1,2	0,506	3345018	0,556	3345026	0,515	3376338
085 TLS Side Dropout Bend Type 1 - 200	85	200	1,2	0,566	3345019	0,623	3345027	0,577	3376339
085 TLS Side Dropout Bend Type 1 - 250	85	250	1,2	0,626	3345020	0,689	3345028	0,638	3376340
085 TLS Side Dropout Bend Type 1 - 300	85	300	1,2	0,686	3345021	0,755	3345029	0,699	3376341
085 TLS Side Dropout Bend Type 1 - 400	85	400	1,2	0,804	3345022	0,884	3345030	0,819	3376342
085 TLS Side Dropout Bend Type 1 - 500	85	500	1,2	0,924	3345023	1,017	3345031	0,941	3376343
085 TLS Side Dropout Bend Type 1 - 600	85	600	1,2	1,044	3345024	1,148	3345032	1,064	3376344
100 TLS Side Dropout Bend Type 1 - 100	100	100	1,2	0,490	3197364	0,539	3330615	0,499	3376345
100 TLS Side Dropout Bend Type 1 - 150	100	150	1,2	0,550	3197365	0,605	3330617	0,560	3376346
100 TLS Side Dropout Bend Type 1 - 200	100	200	1,2	0,610	3197366	0,671	3330619	0,622	3376347
100 TLS Side Dropout Bend Type 1 - 250	100	250	1,2	0,670	3197367	0,737	3330626	0,683	3376348
100 TLS Side Dropout Bend Type 1 - 300	100	300	1,2	0,730	3197368	0,803	3330627	0,744	3376349
100 TLS Side Dropout Bend Type 1 - 400	100	400	1,2	0,848	3197369	0,933	3330628	0,891	3376350
100 TLS Side Dropout Bend Type 1 - 500	100	500	1,2	0,968	3197370	1,065	3330629	1,067	3376430
100 TLS Side Dropout Bend Type 1 - 600	100	600	1,2	1,088	3197371	1,197	3330630	1,109	3376351



Side dropout module type 1 for assembly ;

- 4 Piece Wire Mesh Joint Fitting
- 4 Piece Round Head Bolt M6x20
- 4 Piece Flanged M6.

- Please indicate order code in your orders.
- Please contact us for special dimensions.
- Material weights may vary by $\pm 10\%$

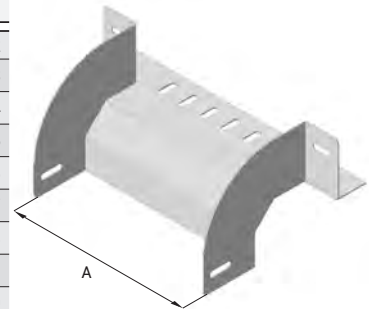
■ All dimensions are given as in mm

- EG= Electrogalvanized
- SS= Stainless Steel
- PG= Pre-Galvanized
- HDG= Hot Dip Galvanized

►► WIRE MESH SIDE DROPOUT BEND

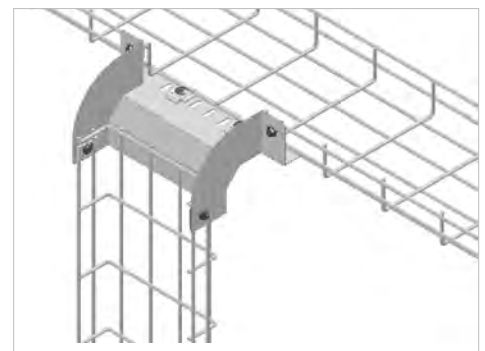
Pre-Galvanized (TS 10143), Hot Dip Galvanized (TS EN ISO 1461), Stainless Steel (SS304 - SS316)

Description	H (mm)	A (mm)	T (mm)	Weight (kg/pcs)	PG Code	Weight (kg/pcs)	HDG Code	Weight (kg/m)	SS Code
035 TLS Side Dropout Bend Type 2 - 050	35	50	1,2	0,243	3197372	0,267	3330640	0,248	3376352
035 TLS Side Dropout Bend Type 2 - 100	35	100	1,2	0,306	3197373	0,337	3330643	0,312	3376353
035 TLS Side Dropout Bend Type 2 - 150	35	150	1,2	0,369	3197374	0,406	3330645	0,376	3376354
035 TLS Side Dropout Bend Type 2 - 200	35	200	1,2	0,432	3197375	0,475	3330648	0,440	3376355
035 TLS Side Dropout Bend Type 2 - 250	35	250	1,2	0,495	3197376	0,545	3330649	0,504	3376356
035 TLS Side Dropout Bend Type 2 - 300	35	300	1,2	0,558	3197377	0,614	3330650	0,569	3376357
035 TLS Side Dropout Bend Type 2 - 400	35	400	1,2	0,684	3197378	0,752	3330651	0,697	3376358
035 TLS Side Dropout Bend Type 2 - 500	35	500	1,2	0,810	3197379	0,891	3330652	0,825	3376359
035 TLS Side Dropout Bend Type 2 - 600	35	600	1,2	0,936	3197380	1,030	3330657	0,954	3376360
055 TLS Side Dropout Bend Type 2 - 050	55	50	1,2	0,327	3197381	0,360	3330658	0,331	3376361
055 TLS Side Dropout Bend Type 2 - 100	55	100	1,2	0,390	3197382	0,429	3330659	0,397	3376362
055 TLS Side Dropout Bend Type 2 - 150	55	150	1,2	0,453	3197383	0,498	3330661	0,462	3376363
055 TLS Side Dropout Bend Type 2 - 200	55	200	1,2	0,516	3197384	0,568	3330662	0,526	3376364
055 TLS Side Dropout Bend Type 2 - 250	55	250	1,2	0,579	3197385	0,637	3330665	0,590	3376365
055 TLS Side Dropout Bend Type 2 - 300	55	300	1,2	0,642	3197386	0,706	3330666	0,654	3376366
055 TLS Side Dropout Bend Type 2 - 400	55	400	1,2	0,768	3197387	0,845	3330667	0,783	3376367
055 TLS Side Dropout Bend Type 2 - 500	55	500	1,2	0,894	3197388	0,983	3330668	0,911	3376368
055 TLS Side Dropout Bend Type 2 - 600	55	600	1,2	1,020	3197389	1,122	3330669	1,039	3376369
075 TLS Side Dropout Bend Type 2 - 100	75	100	1,2	0,488	3377515	0,537	3377523	0,497	3377531
075 TLS Side Dropout Bend Type 2 - 150	75	150	1,2	0,551	3377516	0,606	3377524	0,562	3377532
075 TLS Side Dropout Bend Type 2 - 200	75	200	1,2	0,614	3377517	0,675	3377525	0,626	3377533
075 TLS Side Dropout Bend Type 2 - 250	75	250	1,2	0,677	3377518	0,745	3377526	0,690	3377534
075 TLS Side Dropout Bend Type 2 - 300	75	300	1,2	0,740	3377519	0,814	3377527	0,754	3377535
075 TLS Side Dropout Bend Type 2 - 400	75	400	1,2	0,866	3377520	0,953	3377528	0,883	3377536
075 TLS Side Dropout Bend Type 2 - 500	75	500	1,2	0,992	3377521	1,091	3377529	1,011	3377537
075 TLS Side Dropout Bend Type 2 - 600	75	600	1,2	1,118	3377522	1,230	3377530	1,139	3377538
085 TLS Side Dropout Bend Type 2 - 100	85	100	1,2	0,542	3345033	0,596	3345041	0,552	3376370
085 TLS Side Dropout Bend Type 2 - 150	85	150	1,2	0,605	3345034	0,666	3345042	0,617	3376371
085 TLS Side Dropout Bend Type 2 - 200	85	200	1,2	0,668	3345035	0,735	3345043	0,681	3376372
085 TLS Side Dropout Bend Type 2 - 250	85	250	1,2	0,731	3345036	0,804	3345044	0,745	3376373
085 TLS Side Dropout Bend Type 2 - 300	85	300	1,2	0,794	3345037	0,873	3345045	0,809	3376374
085 TLS Side Dropout Bend Type 2 - 400	85	400	1,2	0,920	3345038	1,012	3345046	0,938	3376375
085 TLS Side Dropout Bend Type 2 - 500	85	500	1,2	1,046	3345039	1,151	3345047	1,066	3376376
085 TLS Side Dropout Bend Type 2 - 600	85	600	1,2	1,172	3345040	1,289	3345048	1,194	3376377
100 TLS Side Dropout Bend Type 2 - 100	100	100	1,2	0,626	3197390	0,689	3330670	0,638	3376378
100 TLS Side Dropout Bend Type 2 - 150	100	150	1,2	0,689	3197391	0,758	3330671	0,702	3376379
100 TLS Side Dropout Bend Type 2 - 200	100	200	1,2	0,752	3197392	0,827	3330672	0,766	3376380
100 TLS Side Dropout Bend Type 2 - 250	100	250	1,2	0,815	3197393	0,897	3330673	0,831	3376381
100 TLS Side Dropout Bend Type 2 - 300	100	300	1,2	0,878	3197394	0,966	3330674	0,895	3376382
100 TLS Side Dropout Bend Type 2 - 400	100	400	1,2	1,004	3197395	1,104	3330675	1,023	3376383
100 TLS Side Dropout Bend Type 2 - 500	100	500	1,2	1,130	3197396	1,243	3330676	1,152	3376384
100 TLS Side Dropout Bend Type 2 - 600	100	600	1,2	1,256	3197397	1,382	3330677	1,280	3376385



TLS Side dropout module type 2 for assembly ;

- 6 Piece Wire Mesh Joint Fitting
- 6 Piece Round Head Bolt M6x20
- 6 Piece Flanged M6.



- Please indicate order code in your orders.
- Please contact us for special dimensions.
- Material weights may vary by $\pm 10\%$

■ All dimensions are given as in mm

- EG= Electrogalvanized
- PG= Pre-Galvanized
- SS= Stainless Steel
- HDG= Hot Dip Galvanized

Description	H (mm)	A (mm)	T (mm)	Weight (kg/pcs)	PG Code	Weight (kg/pcs)	HDG Code	Weight (kg/m)	SS Code
035 TLS Bottom Dropout - 050	35	50	1,2	0,092	3197398	0,101	3330678	0,094	3376386
035 TLS Bottom Dropout - 100	35	100	1,2	0,134	3197399	0,147	3330679	0,137	3376387
035 TLS Bottom Dropout - 150	35	150	1,2	0,176	3197400	0,194	3330680	0,179	3376388
035 TLS Bottom Dropout - 200	35	200	1,2	0,218	3197401	0,240	3330681	0,222	3376389
035 TLS Bottom Dropout - 250	35	250	1,2	0,260	3197402	0,286	3330682	0,265	3376390
035 TLS Bottom Dropout - 300	35	300	1,2	0,302	3197403	0,332	3330684	0,308	3376391
035 TLS Bottom Dropout - 400	35	400	1,2	0,386	3197404	0,425	3330686	0,393	3376392
035 TLS Bottom Dropout - 500	35	500	1,2	0,470	3197405	0,517	3330687	0,479	3376393
035 TLS Bottom Dropout - 600	35	600	1,2	0,554	3197406	0,609	3330934	0,565	3376394
055 TLS Bottom Dropout - 050	55	50	1,2	0,089	3197407	0,098	3330935	0,091	3376395
055 TLS Bottom Dropout - 100	55	100	1,2	0,131	3197408	0,144	3330936	0,134	3376396
055 TLS Bottom Dropout - 150	55	150	1,2	0,173	3197409	0,190	3330937	0,176	3376397
055 TLS Bottom Dropout - 200	55	200	1,2	0,214	3197410	0,235	3330938	0,218	3376398
055 TLS Bottom Dropout - 250	55	250	1,2	0,257	3197411	0,283	3330939	0,262	3376399
055 TLS Bottom Dropout - 300	55	300	1,2	0,299	3197412	0,329	3330940	0,305	3376400
055 TLS Bottom Dropout - 400	55	400	1,2	0,383	3197413	0,421	3330941	0,390	3376401
055 TLS Bottom Dropout - 500	55	500	1,2	0,467	3197414	0,514	3330942	0,476	3376402
055 TLS Bottom Dropout - 600	55	600	1,2	0,551	3197415	0,606	3330943	0,562	3376403
075 TLS Bottom Dropout - 100	75	100	1,2	0,172	3377491	0,189	3377499	0,175	3377507
075 TLS Bottom Dropout - 150	75	150	1,2	0,214	3377492	0,235	3377500	0,218	3377508
075 TLS Bottom Dropout - 200	75	200	1,2	0,256	3377493	0,282	3377501	0,261	3377509
075 TLS Bottom Dropout - 250	75	250	1,2	0,298	3377494	0,328	3377502	0,304	3377510
075 TLS Bottom Dropout - 300	75	300	1,2	0,34	3377495	0,374	3377503	0,346	3377511
075 TLS Bottom Dropout - 400	75	400	1,2	0,424	3377496	0,466	3377504	0,432	3377512
075 TLS Bottom Dropout - 500	75	500	1,2	0,508	3377497	0,559	3377505	0,518	3377513
075 TLS Bottom Dropout - 600	75	600	1,2	0,592	3377498	0,651	3377506	0,603	3377514
085 TLS Bottom Dropout - 100	85	100	1,2	0,187	3345049	0,206	3345057	0,191	3376404
085 TLS Bottom Dropout - 150	85	150	1,2	0,229	3345050	0,252	3345058	0,233	3376405
085 TLS Bottom Dropout - 200	85	200	1,2	0,271	3345051	0,298	3345059	0,276	3376406
085 TLS Bottom Dropout - 250	85	250	1,2	0,313	3345052	0,344	3345060	0,319	3376407
085 TLS Bottom Dropout - 300	85	300	1,2	0,355	3345053	0,391	3345061	0,362	3376408
085 TLS Bottom Dropout - 400	85	400	1,2	0,439	3345054	0,483	3345062	0,447	3376409
085 TLS Bottom Dropout - 500	85	500	1,2	0,523	3345055	0,575	3345063	0,533	3376410
085 TLS Bottom Dropout - 600	85	600	1,2	0,607	3345056	0,668	3345064	0,619	3376411
100 TLS Bottom Dropout - 100	100	100	1,2	0,202	3197416	0,222	3330944	0,206	3376412
100 TLS Bottom Dropout - 150	100	150	1,2	0,244	3197417	0,268	3330945	0,249	3376413
100 TLS Bottom Dropout - 200	100	200	1,2	0,286	3197418	0,315	3330946	0,291	3376414
100 TLS Bottom Dropout - 250	100	250	1,2	0,328	3197419	0,361	3330947	0,334	3376415
100 TLS Bottom Dropout - 300	100	300	1,2	0,370	3197420	0,407	3330948	0,377	3376416
100 TLS Bottom Dropout - 400	100	400	1,2	0,454	3197421	0,499	3330949	0,463	3376417
100 TLS Bottom Dropout - 500	100	500	1,2	0,538	3197422	0,592	3330950	0,548	3376418
100 TLS Bottom Dropout - 600	100	600	1,2	0,622	3197423	0,684	3330951	0,634	3376419



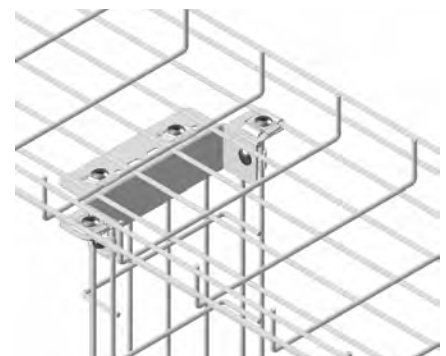
TLS Bottom Dropout for assembly ;

- 6 Piece Wire Mesh Joint Fitting
- 6 Piece Round Head Bolt M6x20
- 6 Piece Flanged M6.

- Please indicate order code in your orders.
- Please contact us for special dimensions.
- Material weights may vary by ± 10%

■ All dimensions are given as in mm

- EG= Electrogalvanized
- PG= Pre-Galvanized
- SS= Stainless Steel
- HDG= Hot Dip Galvanized



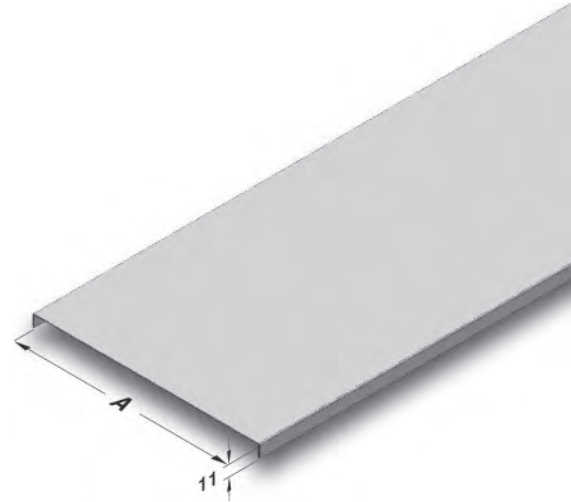
E-LINETLS

►►COVER

Pre-Galvanized (TS 10143), Hot Dip Galvanized (TS EN ISO 1461), Stainless Steel (SS304 -SS316)



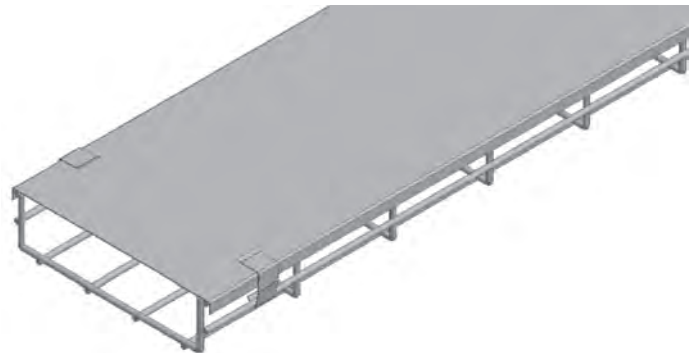
Description	A (mm)	T (mm)	Weight (kg/pcs)	PG Code	Weight (kg/pcs)	HDG Code	Weight (kg/m)	SS Code
UKK 050	50	0,8	0,448	3008371	0,493	3240955	0,457	3376420
UKK 100	100	0,8	0,757	3008370	0,833	3240956	0,771	3376421
UKK 150	150	1,0	1,341	3008369	1,475	3006905	1,367	3376422
UKK 200	200	1,0	1,735	3008368	1,909	3006903	1,768	3376423
UKK 250	250	1,2	2,556	3008367	2,812	3270647	2,605	3376424
UKK 300	300	1,2	3,030	3008366	3,333	3270648	3,088	3376425
UKK 400	400	1,5	4,970	3008365	5,467	3006897	5,065	3376426
UKK 500	500	1,5	6,154	3008364	6,769	3006895	6,272	3376427
UKK 600	600	1,5	7,373	3006017	8,110	3006893	7,514	3376428



►Cover Clamps

Pre-Galvanized (TS EN 10143)

Description	T (mm)	Weight (kg/m)	SS Code
H35 TLS Cover Clamps	1	0,020	1028449
H55/H100 TLS Cover Clamps	1	0,015	1028451



Please order TLS cover clamps to use 2 pieces for each 1 meter length.

- Please indicate order code in your orders.
- Please contact us for special dimensions.
- Material weights may vary by ± 10%

■ All dimensions are given as in mm

- EG= Electrogalvanized
- SS= Stainless Steel
- PG= Pre-Galvanized
- HDG= Hot Dip Galvanized

E-LINETLS

▶▶ WIRE MESH LEVEL ADAPTATION BEND

Pre-Galvanized (TS 10143), Hot Dip Galvanized (TS EN ISO 1461), Stainless Steel (SS304 -SS316)



Description	T (mm)	Weight (kg/pcs)	PG Code	Weight (kg/pcs)	HDG Code	Weight (kg/m)	SS Code
H55/H100 TLS SDE	2	0,878	3200383	0,966	3359175	0,862	3376429

1 Piece Level Adaptation Bend ;

- 4 Piece SDE Set,
- 8 Piece Wire Mesh Joint Fitting
- 12 Piece Bolts M6x20
- 12 Piece Nuts M6.



DOWNWARD DESCENT EXAMPLE



UPWARD DESCENT EXAMPLE



- Please indicate order code in your orders.
- Please contact us for special dimensions.
- Material weights may vary by $\pm 10\%$

■ All dimensions are given as in mm

- EG= Electrogalvanized
- SS= Stainless Steel
- PG= Pre-Galvanized
- HDG= Hot Dip Galvanized

E-LINETLS

►► WIRE MESH TABBED EARTHING CONNECTOR

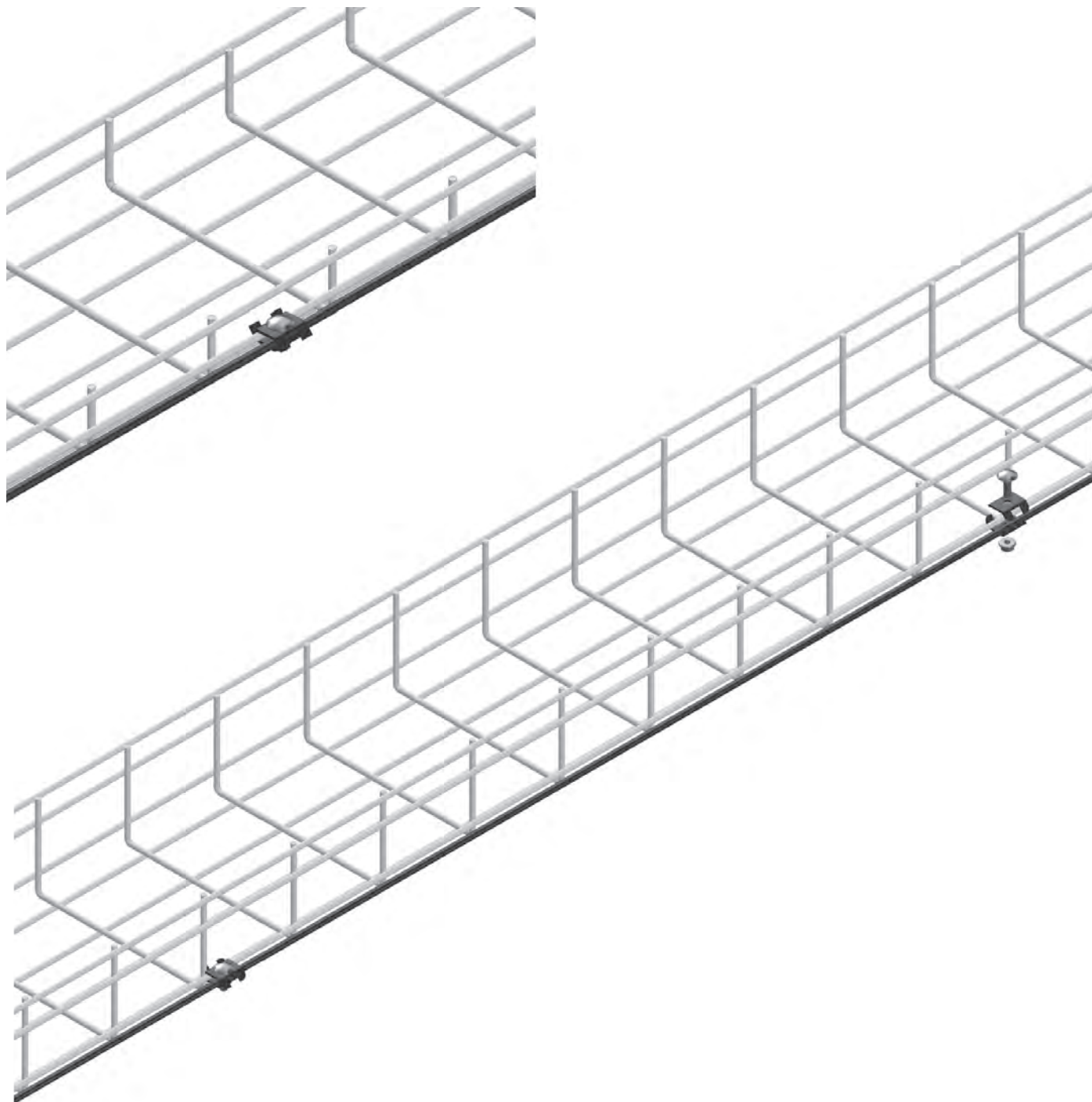


Description	Weight (kg/set)	PG Code
TLS Tabbed Earthing Connector	0,034	3197424



1 Piece Tabbed Earthing Connector for assembly ;

- 2 Piece Tabbed Copper Connector
- 1 Piece Round Head Bolt M6x20
- 1 Piece Flanged M6.



■ Please indicate order code in your orders.

■ Please contact us for special dimensions.

■ Material weights may vary by $\pm 10\%$

■ All dimensions are given as in mm

■ EG= Electrogalvanized

■ SS= Stainless Steel

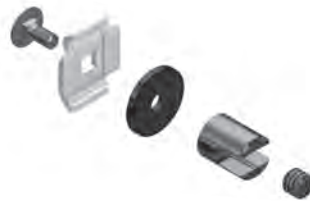
■ PG= Pre-Galvanized

■ HDG= Hot Dip Galvanized

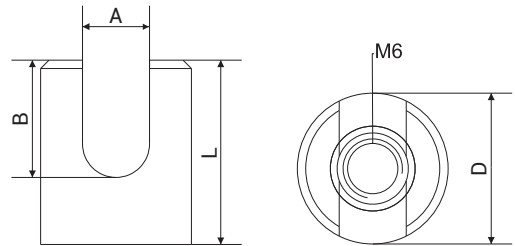
Description	mm ²	A (mm)	B (mm)	D (mm)	L (mm)	PG Code
Brass Joint and Earthing Connector 1	10-35	8	14	18	22	1004225
Brass Joint and Earthing Connector 2	35-70	10	17	21	25	1004226

1 Piece Cylindrical Earthing Connector for assembly ;

- 1 Piece Round Head Bolt M6x12
- 1 Piece Wire Mesh Joint Fitting
- 1 Piece Grounding Washer
- 1 Piece Earthing Connector (Cylindrical)
- 1 Piece Brass Nut.



Brass Joint and Earthing Connector (Cylindrical)



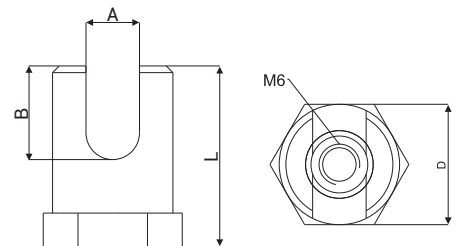
Description	mm ²	A (mm)	B (mm)	D (mm)	L (mm)	PG Code
Brass Joint and Earthing Connector 5	10-35	8	14	18	22	1004229
Brass Joint and Earthing Connector 6	35-70	10	17	21	25	1004230

1 Piece Hexagonal Earthing Connector for assembly ;

- 1 Piece Round Head Bolt M6x12
- 1 Piece Wire Mesh Joint Fitting
- 1 Piece Grounding Washer
- 1 Piece Brass Joint and Earthing Connector(Hexagonal)
- 1 Piece Brass Nut.

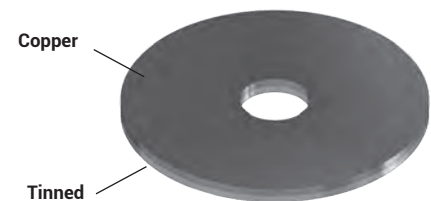
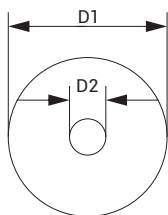


Brass Joint and Earthing Connector (Hexagonal)



Description	D1 (mm)	D2 (mm)	PG Code
Grounding Washer 70-150 mm ²	28	6,4	1015433
Grounding Washer 150-185 mm ²	31	6,4	1015434

“Copper and brass should be used in case of contact between materials and galvanized surfaces.”
 “Tin-coated faces of bimetal materials should be in contact with galvanized surfaces.
 Wrong connection will cause galvanic corrosion.”



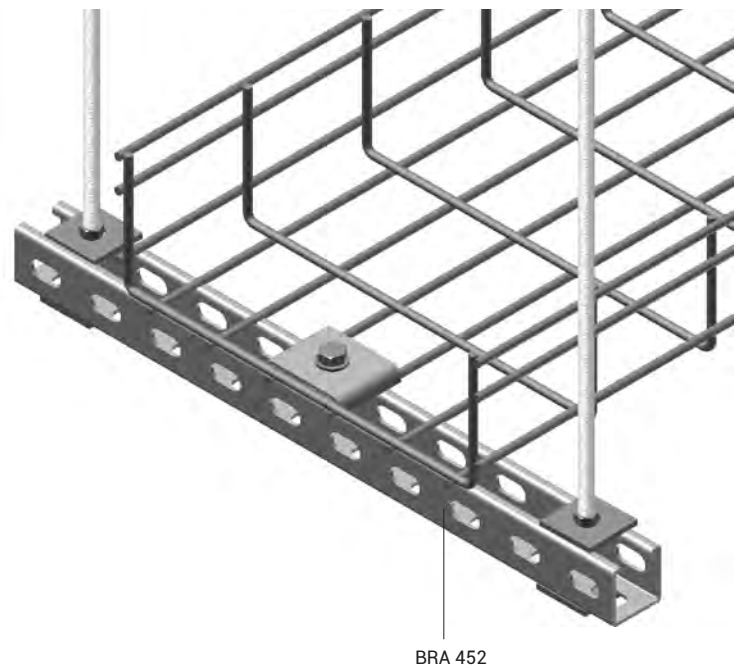
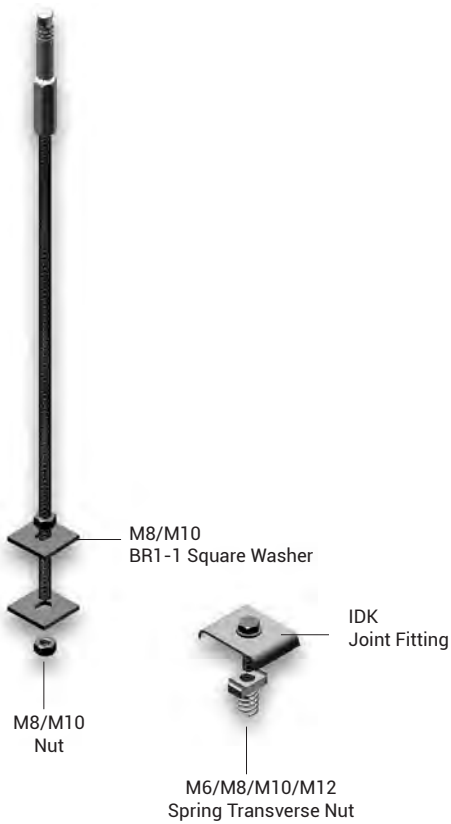
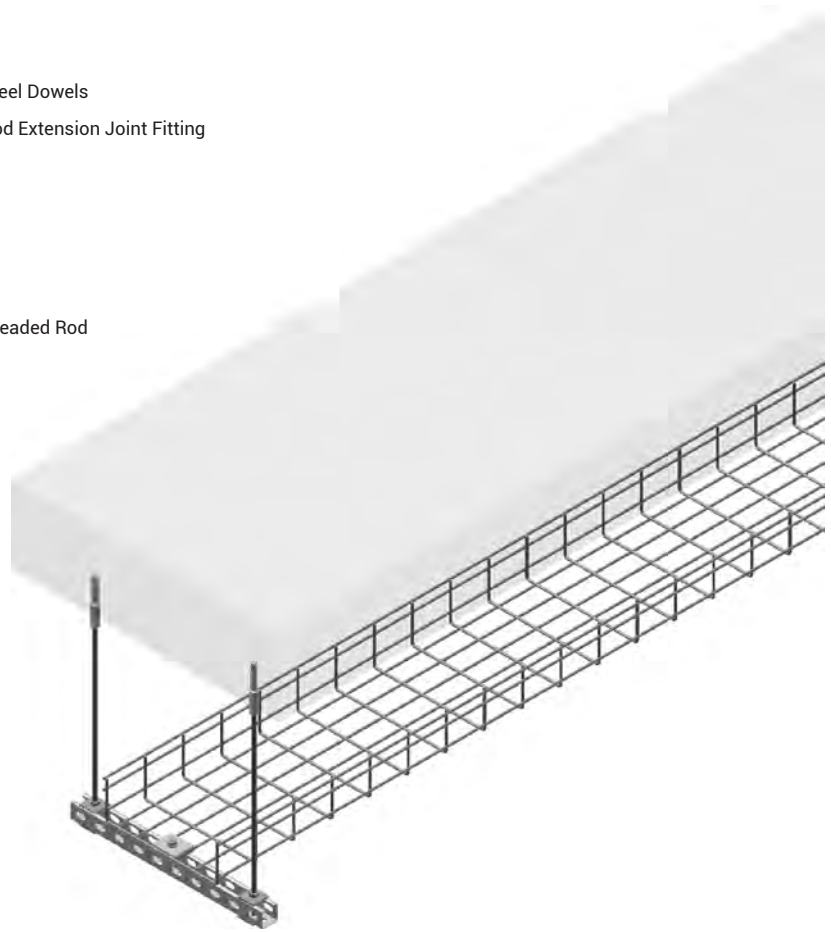
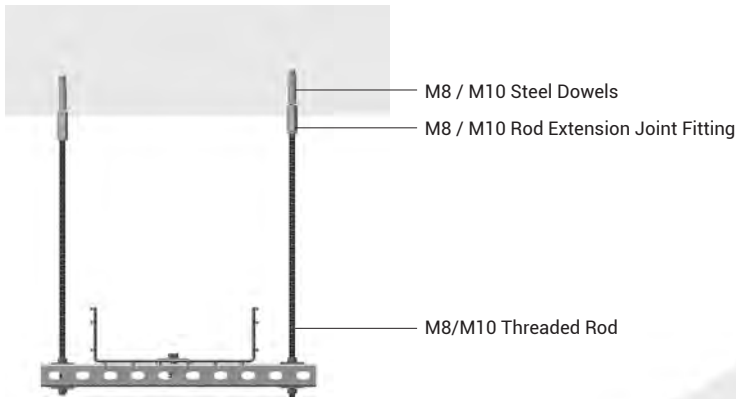
- Please indicate order code in your orders.
- Please contact us for special dimensions.
- Material weights may vary by ± 10%

■ All dimensions are given as in mm

- EG= Electrogalvanized
- SS= Stainless Steel
- PG= Pre-Galvanized
- HDG= Hot Dip Galvanized

E-LINETLS

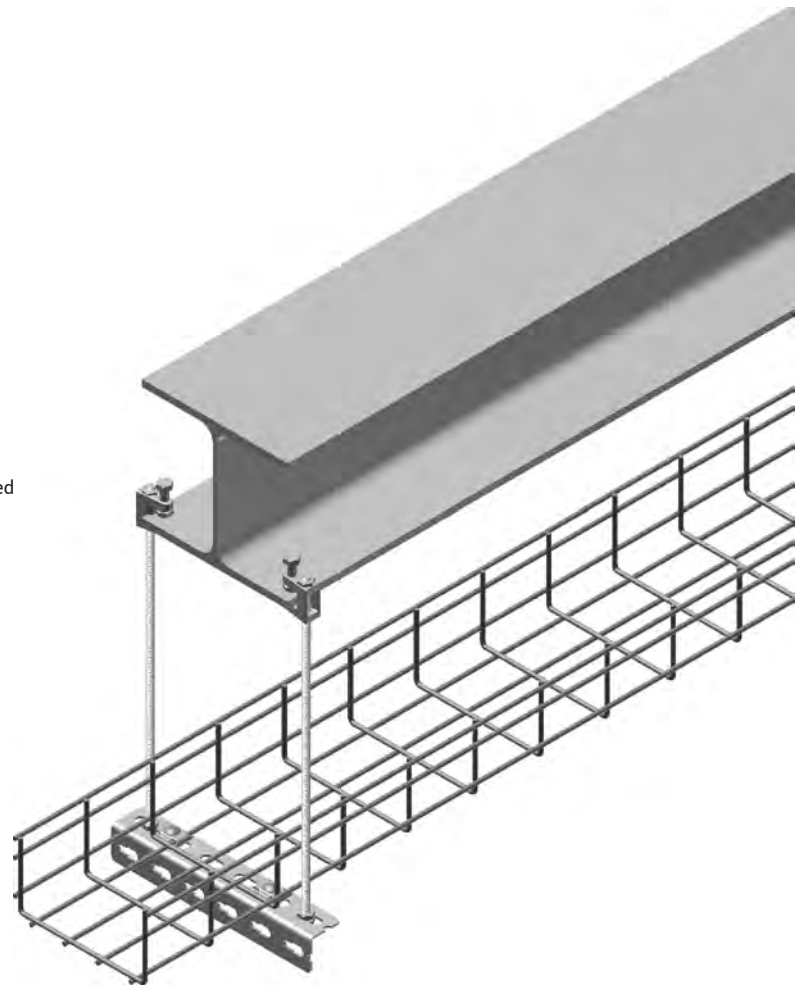
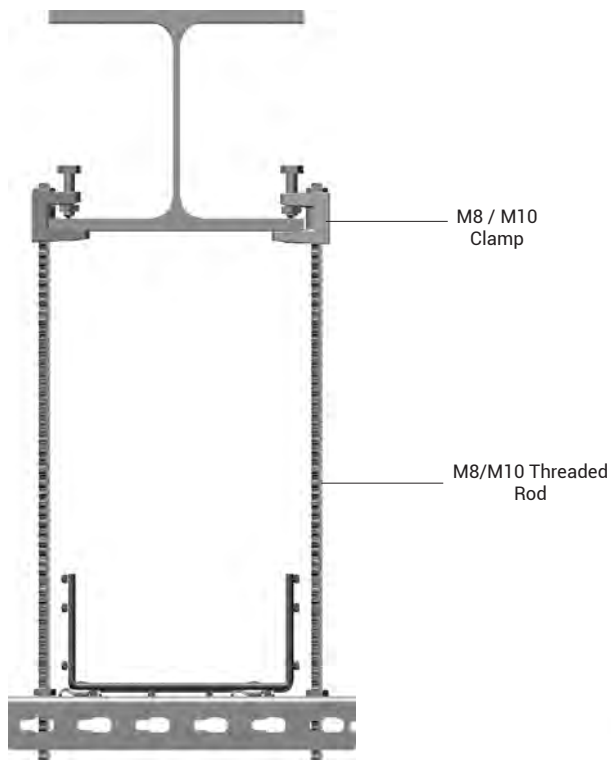
►► APPLICATION EXAMPLES



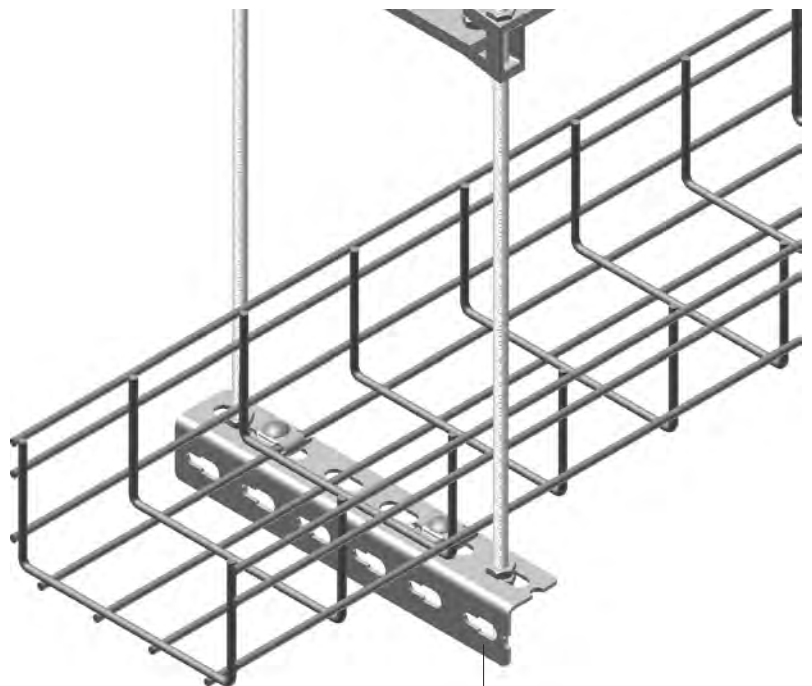
- Please indicate order code in your orders.
- Please contact us for special dimensions.
- Material weights may vary by $\pm 10\%$

■ All dimensions are given as in mm

- EG= Electrogalvanized
- SS= Stainless Steel
- PG= Pre-Galvanized
- HDG= Hot Dip Galvanized



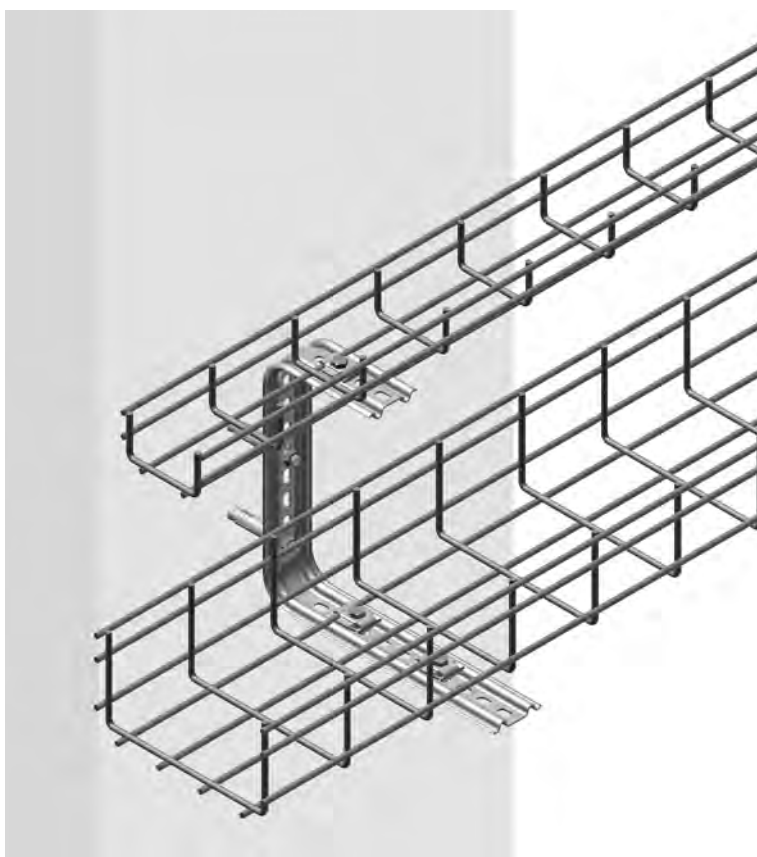
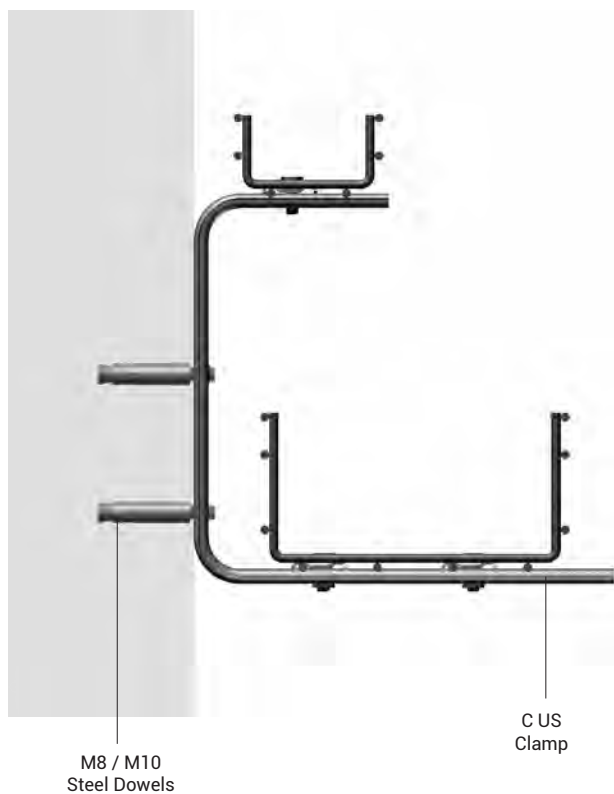
Cable Basket Joint Fitting



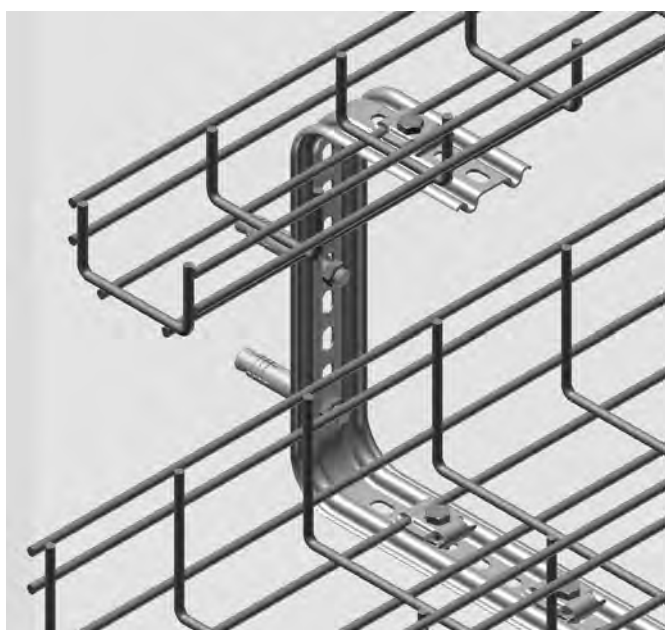
- Please indicate order code in your orders.
- Please contact us for special dimensions.
- Material weights may vary by $\pm 10\%$

■ All dimensions are given as in mm

- EG= Electrogalvanized
- SS= Stainless Steel
- PG= Pre-Galvanized
- HDG= Hot Dip Galvanized



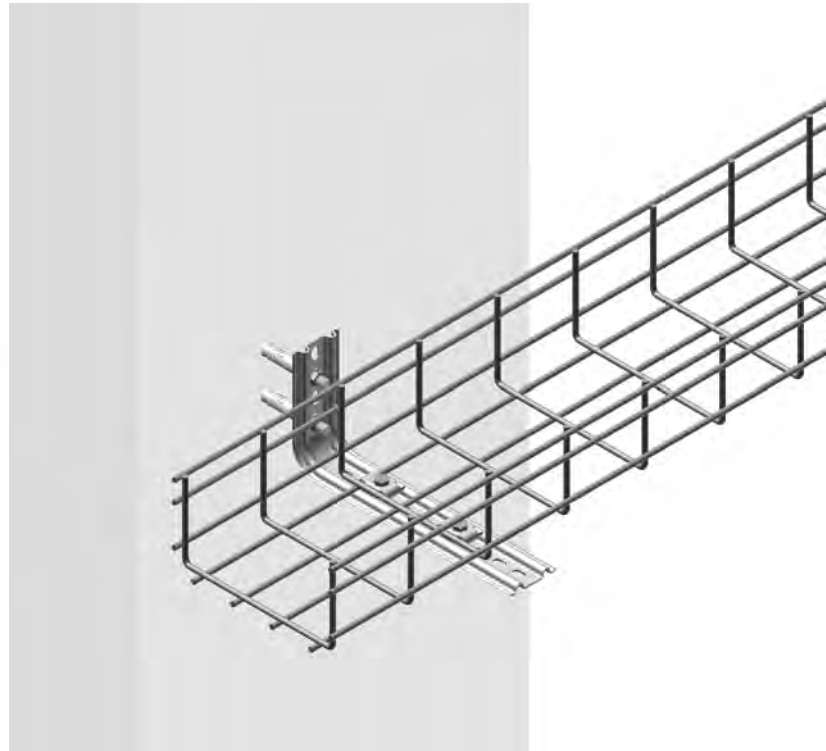
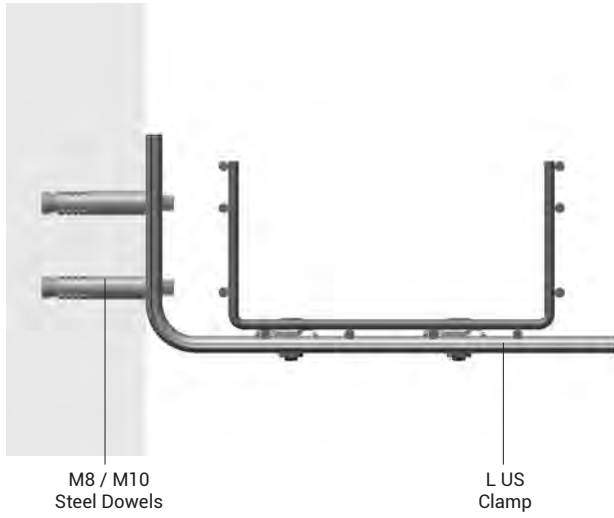
Cable Basket Joint Fitting



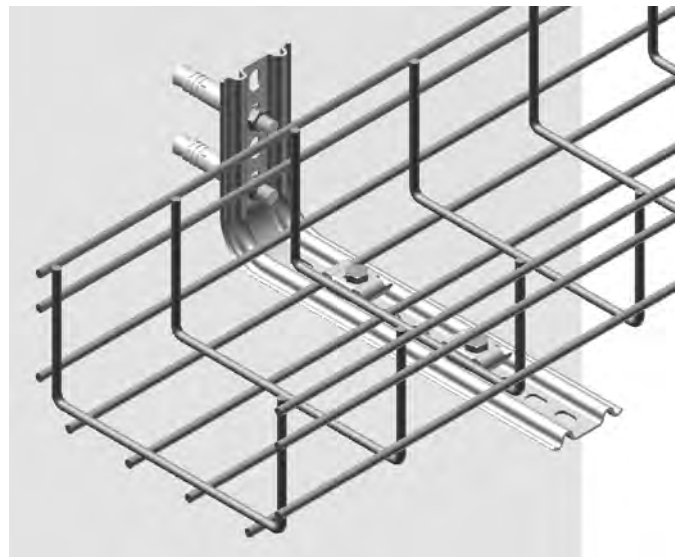
- Please indicate order code in your orders.
- Please contact us for special dimensions.
- Material weights may vary by $\pm 10\%$

■ All dimensions are given as in mm

- EG= Electrogalvanized
- SS= Stainless Steel
- PG= Pre-Galvanized
- HDG= Hot Dip Galvanized



Cable Basket Joint Fitting



TLS

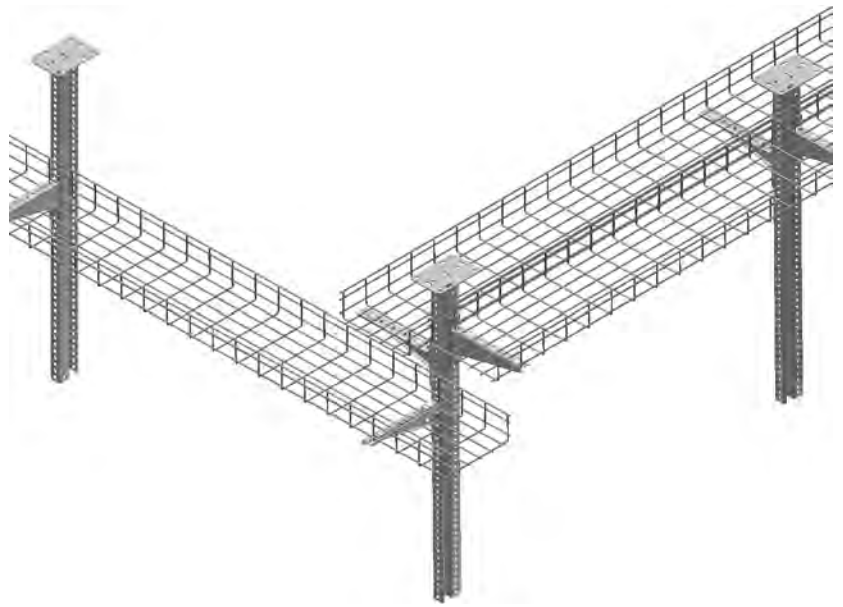
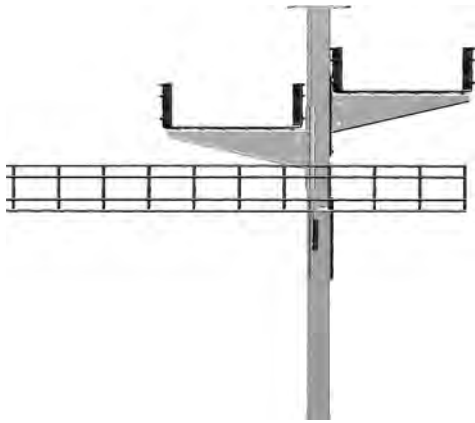
- Please indicate order code in your orders.
- Please contact us for special dimensions.
- Material weights may vary by $\pm 10\%$

■ All dimensions are given as in mm

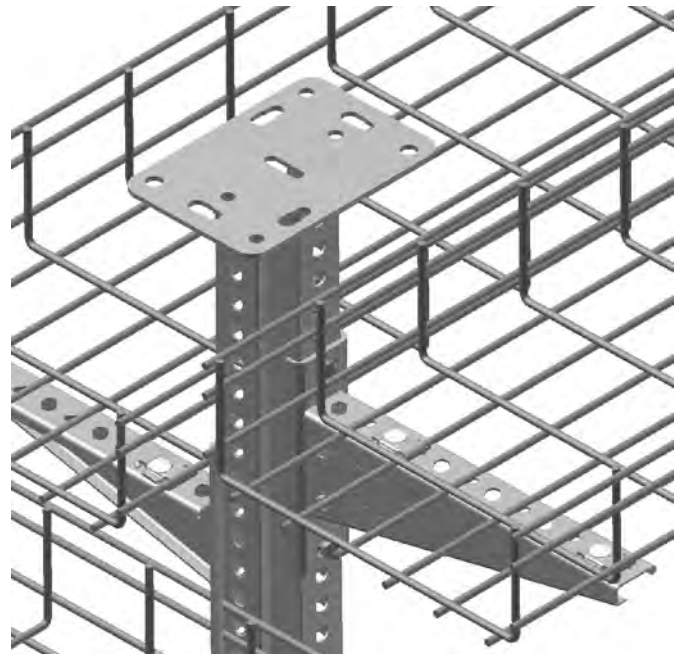
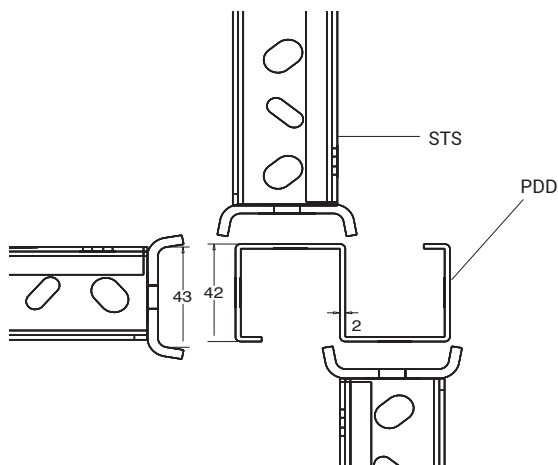
- EG= Electrogalvanized
- SS= Stainless Steel
- PG= Pre-Galvanized
- HDG= Hot Dip Galvanized

E-LINETLS

▶▶ APPLICATION EXAMPLES



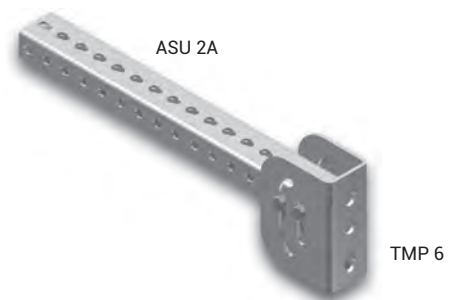
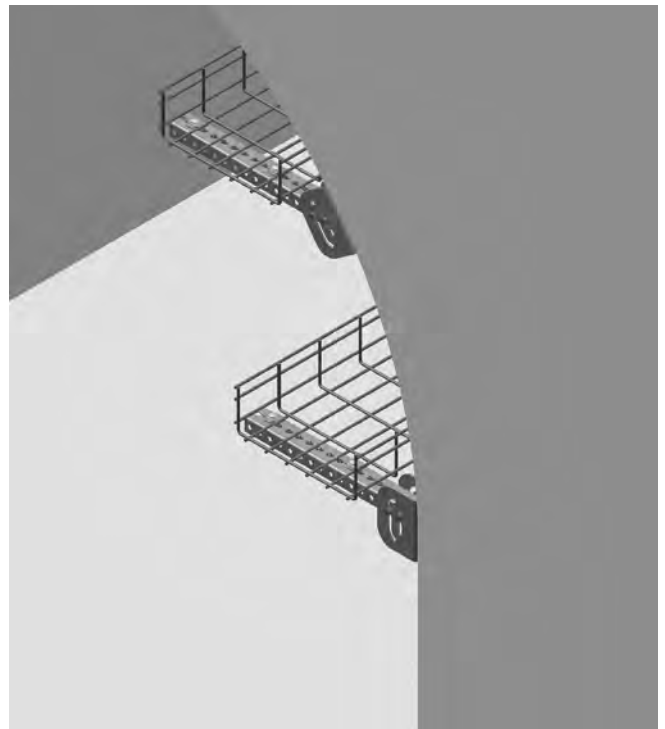
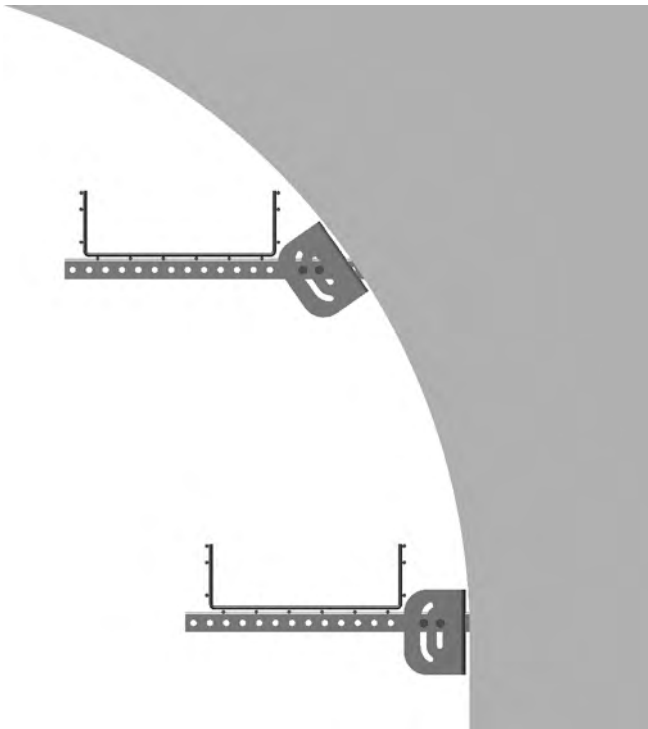
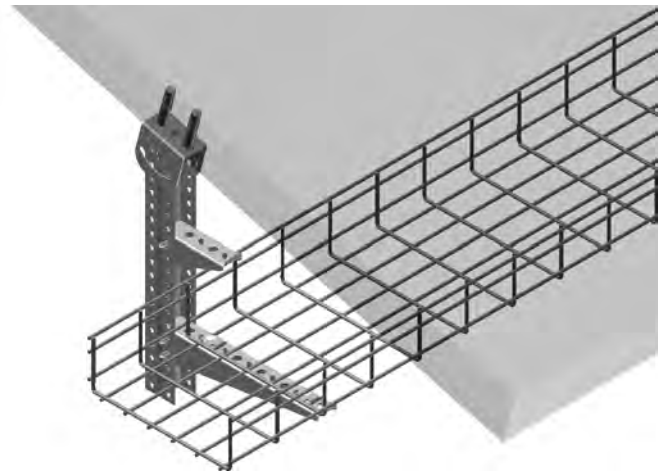
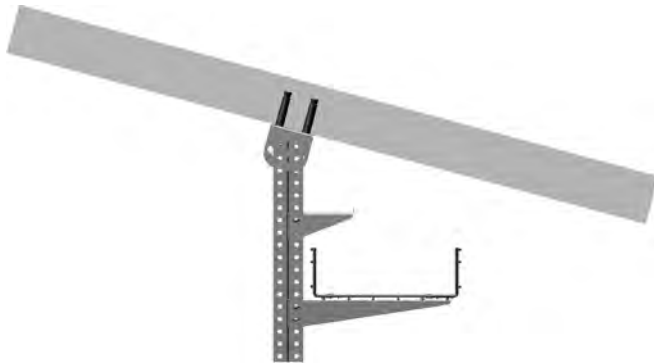
Cable Basket Joint Fitting



- Please indicate order code in your orders.
- Please contact us for special dimensions.
- Material weights may vary by $\pm 10\%$

■ All dimensions are given as in mm

- EG= Electrogalvanized
- SS= Stainless Steel
- PG= Pre-Galvanized
- HDG= Hot Dip Galvanized



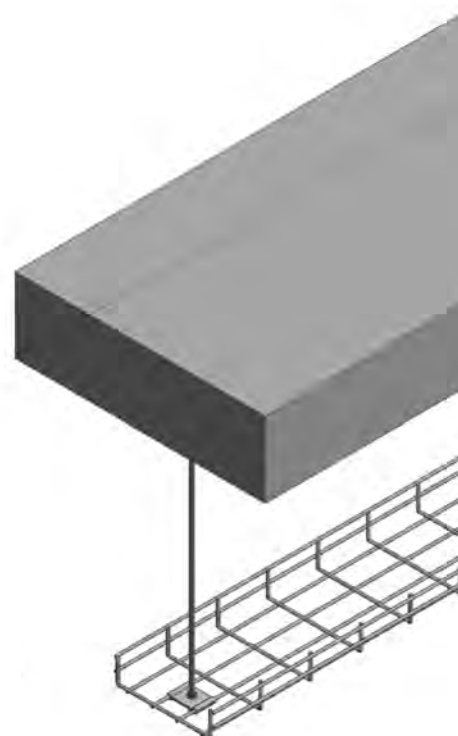
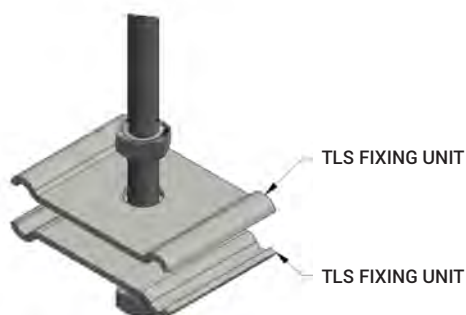
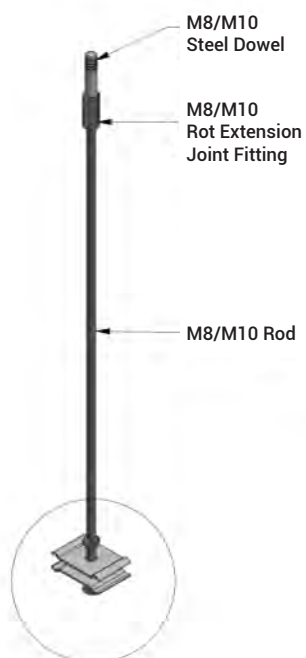
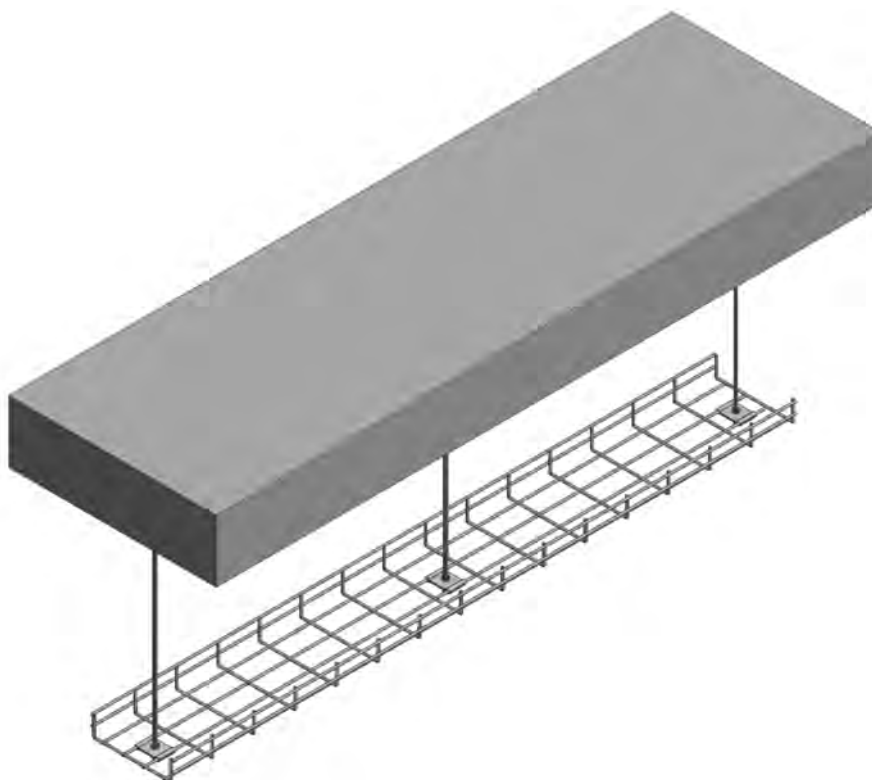
- Please indicate order code in your orders.
- Please contact us for special dimensions.
- Material weights may vary by $\pm 10\%$

■ All dimensions are given as in mm

- EG= Electrogalvanized
- SS= Stainless Steel
- PG= Pre-Galvanized
- HDG= Hot Dip Galvanized

E-LINETLS

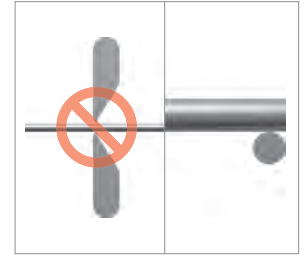
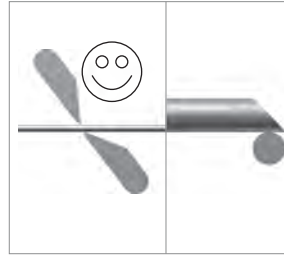
►► APPLICATION EXAMPLES



- Please indicate order code in your orders.
- Please contact us for special dimensions.
- Material weights may vary by $\pm 10\%$

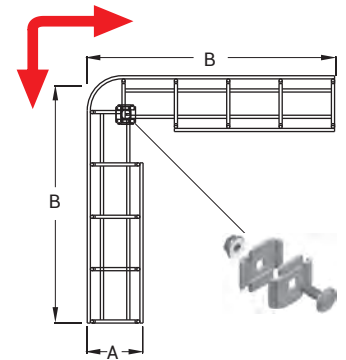
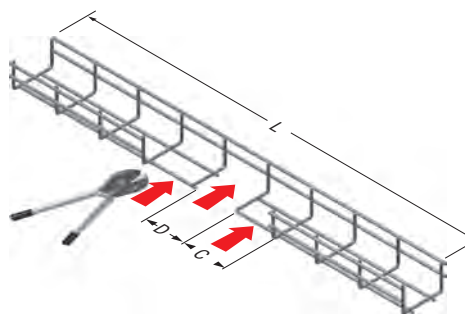
■ All dimensions are given as in mm

- EG= Electrogalvanized
- SS= Stainless Steel
- PG= Pre-Galvanized
- HDG= Hot Dip Galvanized



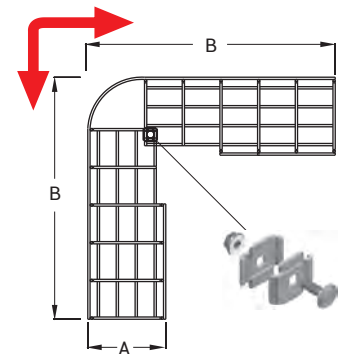
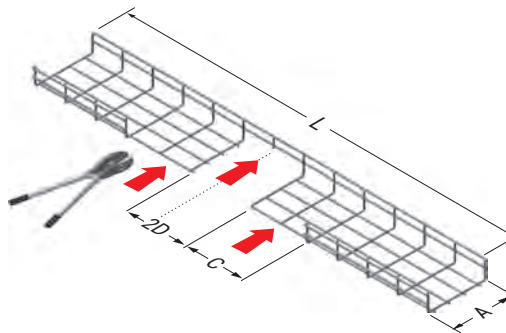
A (mm)	B (mm)	C (mm)	L (mm)	Cable Tray Joint Fitting
100	300	100	900	1
150	400	6,4	900	1

For 100-150 baskets, the middle section should be cut as one (D) piece.



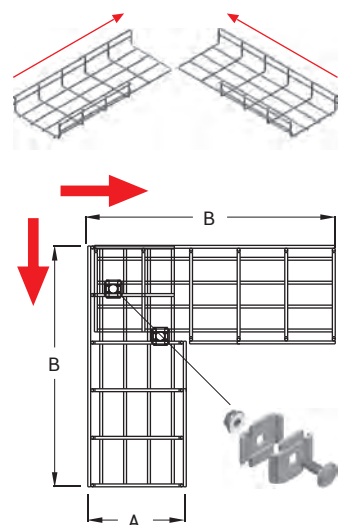
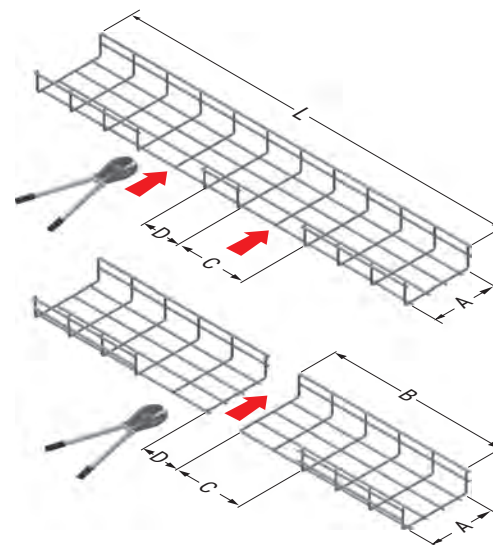
A (mm)	B (mm)	C (mm)	L (mm)	Cable Tray Joint Fitting
200	500	200	1000	2
250	500	200	1000	2
300	600	300	1200	2
400	700	400	1400	4
500	800	500	1600	4
600	900	600	1800	6

For 200-600 baskets, the middle section should be cut into 2(2D) pieces.



A (mm)	B (mm)	C (mm)	L (mm)	Cable Tray Joint Fitting
100	300	100	700	1
150	400	200	900	1
200	500	200	1100	2
250	500	200	1100	2
300	600	300	1300	2
400	700	400	1500	4
500	800	500	1700	4
600	900	600	1900	6

For 100-600 baskets, the middle section should be cut as one (D) piece.



- Please indicate order code in your orders.
- Please contact us for special dimensions.
- Material weights may vary by ± 10%

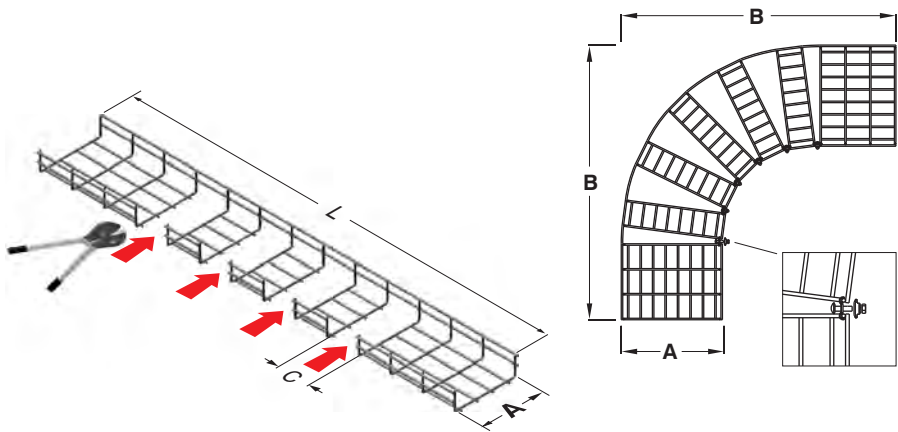
- All dimensions are given as in mm
- EG= Electrogalvanized
- SS= Stainless Steel
- PG= Pre-Galvanized
- HDG= Hot Dip Galvanized

E-LINETLS

►► YD BEND APPLICATION EXAMPLES

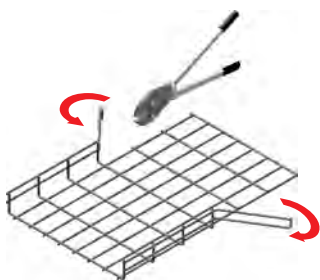
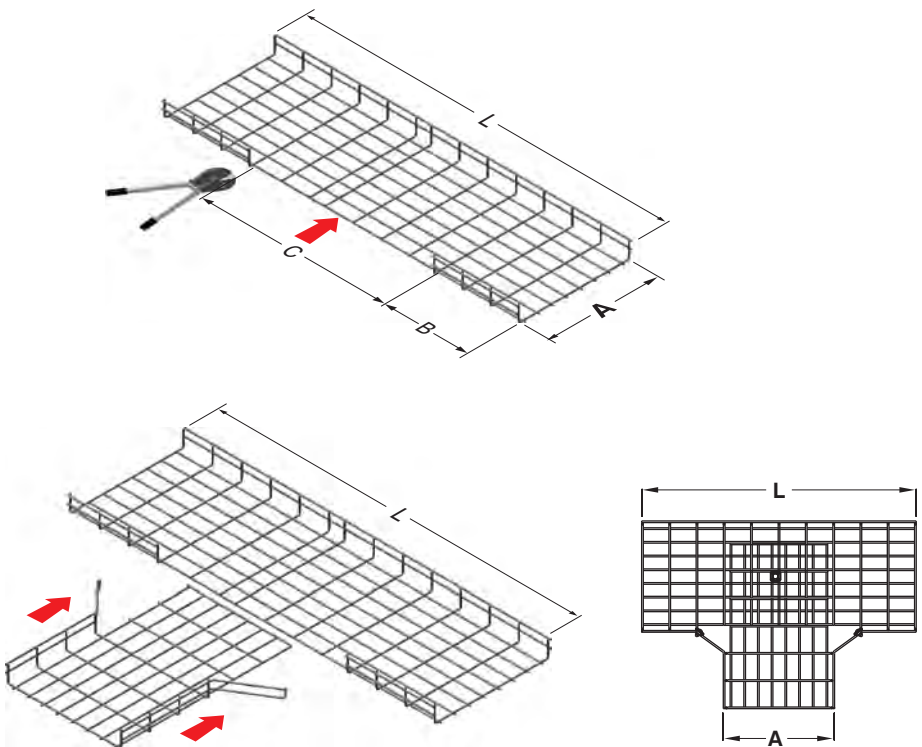


A (mm)	B (mm)	C (mm)	L (mm)	Cable Tray Joint Fitting
100	520	3	900	1
150	620	4	1100	1
200	660	4	1100	2
250	910	6	1520	2
300	910	6	1520	4
400	1140	8	1900	6
500	1400	9	2100	9
600	1520	11	2500	9



► "T" Bend Application Examples

A (mm)	B (mm)	C (mm)	L (mm)	Cable Tray Joint Fitting
100	300	300	800	3
150	300	350	900	3
200	300	400	1000	3
250	300	400	1000	3
300	300	500	1100	4
400	300	600	1200	4
500	300	700	1300	6
600	300	800	1400	6



- Please indicate order code in your orders.
- Please contact us for special dimensions.
- Material weights may vary by ± 10%


■ All dimensions are given as in mm

- EG= Electrogalvanized
- SS= Stainless Steel
- PG= Pre-Galvanized
- HDG= Hot Dip Galvanized

Component List	Item	Component	Quantity
Please duplicate this page for your own use.			

Company:
Project:
Project No:

Name :
Date :
Signature :
Prepared by



Please duplicate this page for your own use.

TLS

Component List		Quantity
Item	Component	

Company:	
Project:	
Project No:	
Name :	
Date :	
Signature :	
Prepared by	

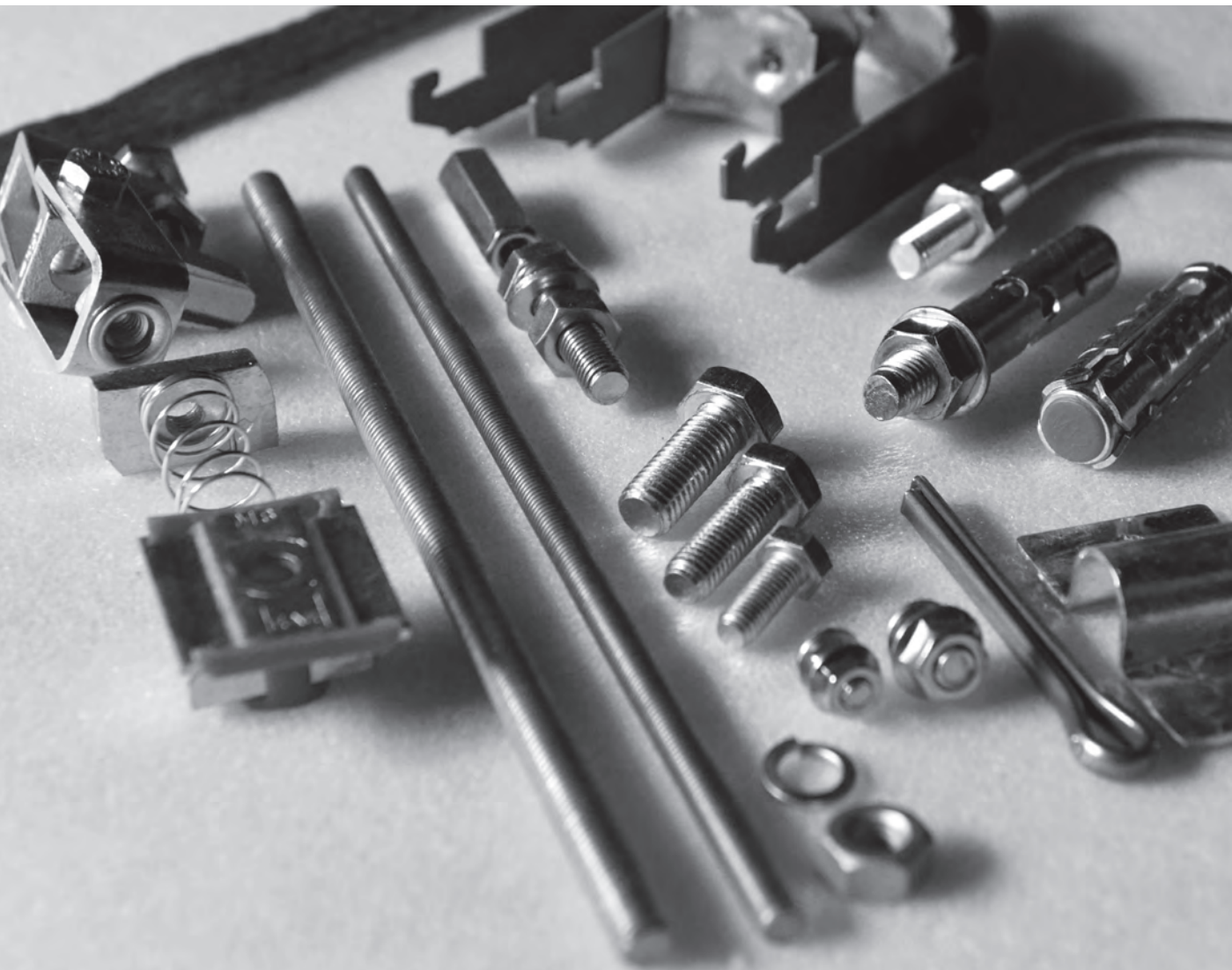
EAE

Please duplicate this page for your own use.



ACCESSORIES

CONNECTION MODULES



AKS

ACCESSORIES

Please visit our website for the updated version of our catalogues.
www.eaeelectric.com



CONTENTS

▶▶ E-LINE A

Connection Accessories	2-5
Quick Binrak Nut	6
Connection Accessories	7
Cable Clamp	8-10
Earthing Components	11-12
Piping Systems	13-15
Beam Clamp	16
Fixing Accessories	17-18
Pipe Accessories	19-25

Description	Tensile Load (kg)	Weight (kg/pcs)	Order Code
Hex. Head Bolt M6x20	100	0,007	1000550
Hex. Head Bolt M8x20	150	0,012	1000559
Hex. Head Bolt M10x30	400	0,027	1000566
Hex. Head Bolt M10x40	400	0,031	1000567
Hex. Head Bolt M10x50	400	0,035	1000568
Hex. Head Bolt M12x30	600	0,039	1000695

Hex. Head Bolt



Description	Tensile Load (kg)	Weight (kg/pcs)	Order Code
M6 Steel Nut	100	0,004	1000520
M8 Steel Nut	150	0,005	1000521
M10 Steel Nut	400	0,010	1000522
M12 Steel Nut	600	0,015	1000964

Steel Nut



(Lacquered)

Description	Weight (kg/pcs)	Order Code
M6 Washer	0,001	1000501
M8 Washer	0,002	1000502
M10 Washer	0,003	1000504
M12 Washer	0,005	1000505

Washer



(Lacquered)

Description	Weight (kg/pcs)	Order Code
M6 Spring Washer	0,001	1000506
M8 Spring Washer	0,001	1000507
M10 Spring Washer	0,002	1000508
M12 Spring Washer	0,003	1000509

Spring Washer



Description	Tensile Load (kg)	Weight (kg/pcs)	Order Code
M6 Flanged Nut	100	0,007	1001091
M8 Flanged Nut	150	0,013	1001181
M10 Flanged Nut	400	0,020	1000182
M12 Flanged Nut	600	0,027	1005927

Flanged Nut



- Please indicate order code in your orders.
- Please contact us for special dimensions.
- Material weights may vary by $\pm 10\%$

■ All dimensions are given as in mm

- PG= Pre-Galvanized
- HDG= Hot Dip Galvanized

Description	Weight (kg/pcs)	Order Code
M6 Spring Traverse Nut (long spring)	0,030	1004216
M8 Spring Traverse Nut (long spring)	0,028	1001311
M10 Spring Traverse Nut (long spring)	0,039	1001312
M12 Spring Traverse Nut (long spring)	0,038	1001313

■ Suitable for 41x41 BINRAK.

Spring Traverse Nut



Description	Weight (kg/pcs)	Order Code
M6 Spring Traverse Nut (short spring)	0,030	1065332
M8 Spring Traverse Nut (short spring)	0,028	1065333
M10 Spring Traverse Nut (short spring)	0,039	1065334
M12 Spring Traverse Nut (short spring)	0,038	1065335

■ Suitable for 41x21 BINRAK

Description	Weight (kg/pcs)	Order Code
M6 Travers Nut	0,020	1003108
M8 Travers Nut	0,025	1003105
M10 Travers Nut	0,035	1003106
M12 Travers Nut	0,038	1003107

Travers Nut



Description	Weight (kg/pcs)	Order Code
M6 Spring Sheet Traverse Nut (long spring)	0,028	1026710
M8 Spring Sheet Traverse Nut (long spring)	0,031	1026711
M10 Spring Sheet Traverse Nut (long spring)	0,036	1026712
M12 Spring Sheet Traverse Nut (long spring)	0,040	1026713

■ Suitable for 41x41 BINRAK.

Spring Sheet Traverse Nut



Description	Weight (kg/pcs)	Order Code
M6 Spring Sheet Traverse Nut (short spring)	0,028	1065336
M8 Spring Sheet Traverse Nut (short spring)	0,031	1065337
M10 Spring Sheet Traverse Nut (short spring)	0,036	1065339
M12 Spring Sheet Traverse Nut (short spring)	0,040	1065340

■ Suitable for 41x21 BINRAK

Description	Weight (kg/pcs)	Order Code
M6 Sheet Sleeper Nut	0,018	1026714
M8 Sheet Sleeper Nut	0,023	1026715
M10 Sheet Sleeper Nut	0,032	1026716
M12 Sheet Sleeper Nut	0,035	1026717

Sheet Sleeper Nut



■ Please indicate order code in your orders.

■ Please contact us for special dimensions.

■ Material weights may vary by ± 10%

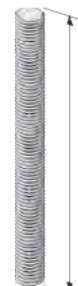
■ All dimensions are given as in mm

■ PG= Pre-Galvanized

■ HDG= Hot Dip Galvanized

Description	Tensile Load (kg)	Weight (kg/pcs)	Order Code
Threaded Rod (M8x500)	150	0,145	5000039
Threaded Rod (M8x1000)	150	0,295	5000038
Threaded Rod (M8x1500)	150	0,440	5000035
Threaded Rod (M8x2000)	150	0,600	5000036
Threaded Rod (M8x3000)	150	0,897	5000006
Threaded Rod (M10x500)	400	0,245	5000037
Threaded Rod (M10x1000)	400	0,490	5000032
Threaded Rod (M10x1500)	400	0,735	5000031
Threaded Rod (M10x2000)	400	1,030	5000030
Threaded Rod (M10x3000)	400	1,520	5000029
Threaded Rod (M12x2000)	600	1,300	5000024
Threaded Rod (M6x1000) Electrogalvanized	100	0,222	5000357
Threaded Rod (M6x2000) Electrogalvanized	100	0,444	5000358
Threaded Rod (M6x3000) Electrogalvanized	100	0,666	5000359
Threaded Rod (M8x500) Electrogalvanized	150	0,145	5000169
Threaded Rod (M8x1000) Electrogalvanized	150	0,295	5000170
Threaded Rod (M8x1500) Electrogalvanized	150	0,440	5000171
Threaded Rod (M8x2000) Electrogalvanized	150	0,600	1004220
Threaded Rod (M8x3000) Electrogalvanized	150	0,897	5000302
Threaded Rod (M10x500) Electrogalvanized	400	0,245	5000172
Threaded Rod (M10x1000) Electrogalvanized	400	0,490	5000173
Threaded Rod (M10x1500) Electrogalvanized	400	0,735	5000174
Threaded Rod (M10x2000) Electrogalvanized	400	1,030	5000175
Threaded Rod (M10x3000) Electrogalvanized	400	1,571	5000301
Threaded Rod (M12x2000) Electrogalvanized	600	1,030	5001197

Threaded Rod



Description	Tensile Load (kg)	Weight (kg/pcs)	Order Code
Extension Nut (M8)	150	0,030	1004313
Extension Nut (M10)	400	0,070	1004312
Extension Nut (M12)	600	0,115	1004282

Extension Nut



(Lacquered)

- Please indicate order code in your orders.
- Please contact us for special dimensions.
- Material weights may vary by $\pm 10\%$

■ All dimensions are given as in mm

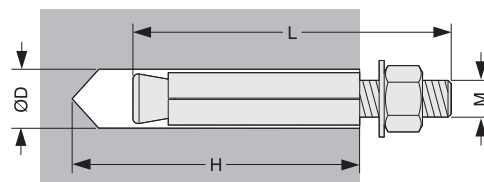
- PG= Pre-Galvanized
- HDG= Hot Dip Galvanized

Description	Tensile Load (kg)	Weight (kg/pcs)	Order Code
EAE Pull-off Dowel (M6)	100	0,028	5000027
EAE Pull-off Dowel (M8)	150	0,030	5000033
EAE Pull-off Dowel (M10)	400	0,070	5000023
EAE Pull-off Dowel (M12)	600	0,120	5000022

Pull-off Dowel



M	L (mm)	ØD (mm)	H (mm)
M6	65	10	75
M8	60	11	70
M10	85	15	95
M12	90	16	100

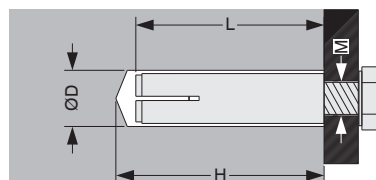


Description	Tensile Load (kg)	Weight (kg/pcs)	Order Code
Driven Dowel (M8)	150	0,010	5000018
Driven Dowel (M10)	400	0,020	5000017

Driven Dowel



M	L (mm)	ØD (mm)	H (mm)
M8	30	10	30
M10	40	12	40

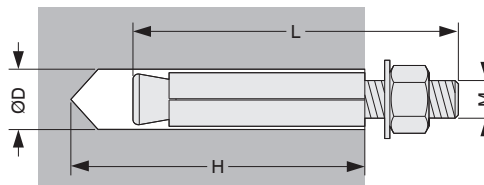


Description	Tensile Load (kg)	Weight (kg/pcs)	Order Code
Pull Dowel (Jacketed) (M6)	100	0,033	5000007
Pull Dowel (Jacketed) (M8)	150	0,030	5000008
Pull Dowel (Jacketed) (M10)	400	0,070	5000009
Pull Dowel (Jacketed) (M12)	600	0,120	5000010

Pull Dowel (Jacketed)



M	L (mm)	ØD (mm)	H (mm)
M6	46	8	55
M8	55	10	80
M10	85	12	95
M12	90	16	100

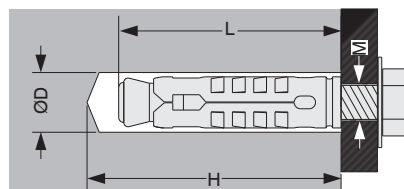


Description	Tensile Load (kg)	Weight (kg/pcs)	Order Code
Pull Dowel "S" Type (M6)	100	0,011	5000011
Pull Dowel "S" Type (M8)	150	0,016	5000012
Pull Dowel "S" Type (M10)	400	0,031	5000013
Pull Dowel "S" Type (M12)	600	0,053	5000014

Pull Dowel "S" Type



M	L (mm)	ØD (mm)	H (mm)
M6	46	10	50
M8	50	12	60
M10	55	15	70
M12	80	18	85

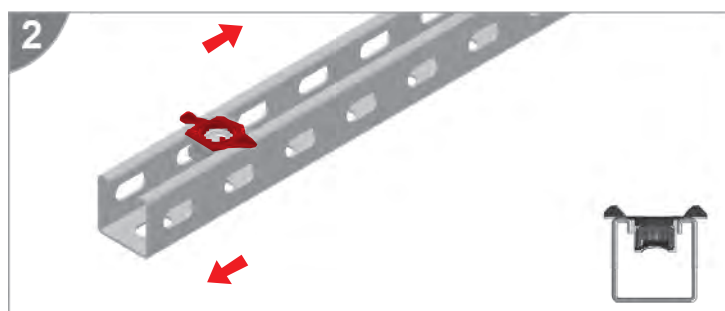
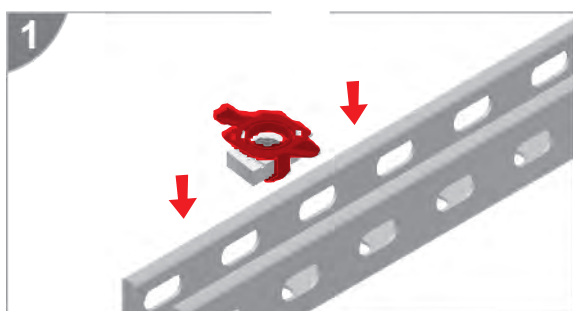
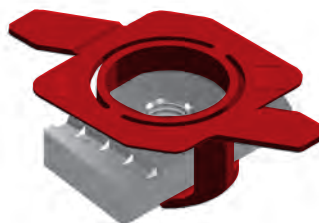


- Please indicate order code in your orders.
- Please contact us for special dimensions.
- Material weights may vary by ± 10%

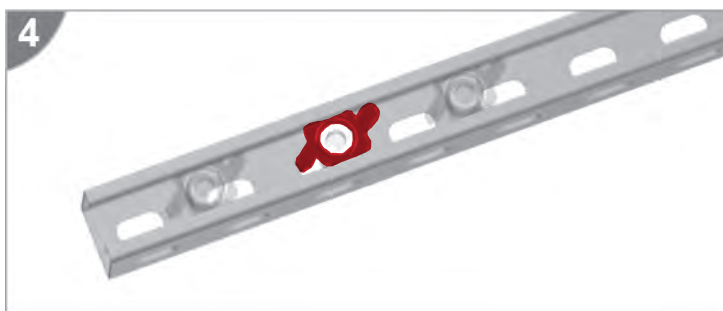
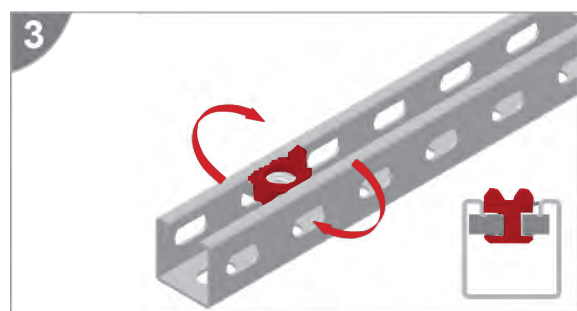
■ All dimensions are given as in mm

- PG= Pre-Galvanized
- HDG= Hot Dip Galvanized

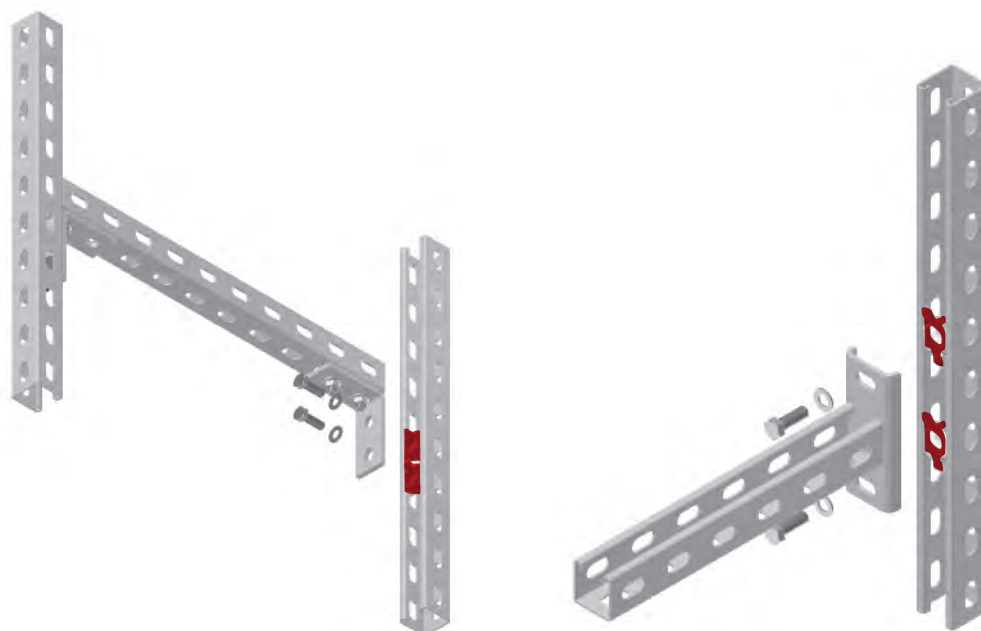
Description	Weight (kg/pcs)	Order Code
M6 Quick Binrak Nut	0,028	1021244
M8 Quick Binrak Nut	0,027	1021245
M10 Quick Binrak Nut	0,034	1021246
M12 Quick Binrak Nut	0,032	1021247



1-2. Place the Quick Nut into Binrak Channel.



3-4. By turning the Quick Nut in the direction of the arrow, select its position on the Binrak Channel.

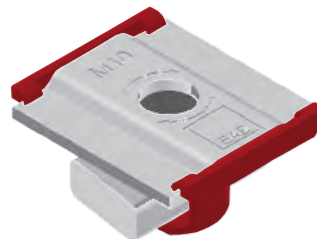


- Please indicate order code in your orders.
- Please contact us for special dimensions.
- Material weights may vary by $\pm 10\%$

■ All dimensions are given as in mm

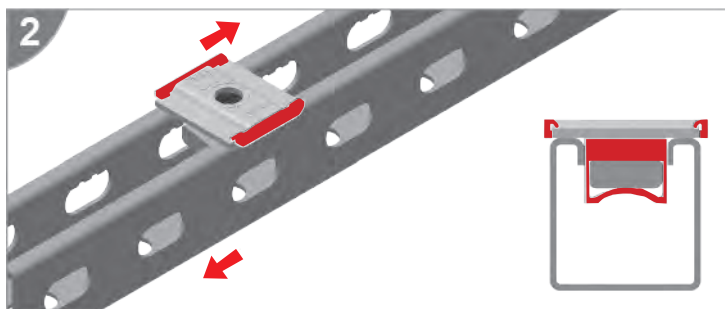
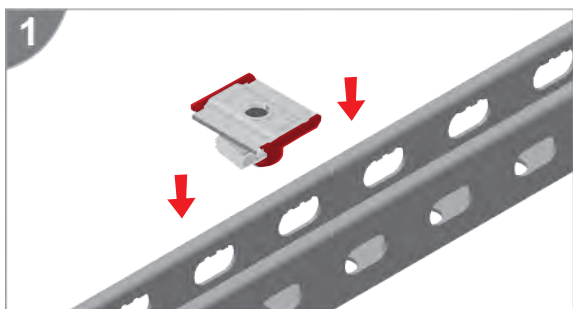
- PG= Pre-Galvanized
- HDG= Hot Dip Galvanized

Description	Weight (kg/pcs)	Order Code
M8 Quick Traverse Nut	0,084	1004993
M10 Quick Traverse Nut	0,081	1004994
M12 Quick Traverse Nut	0,078	1004995

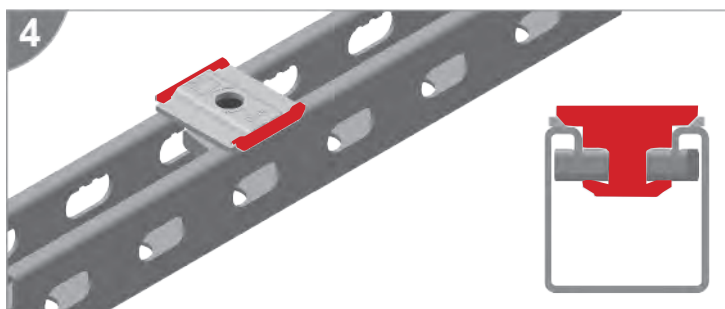
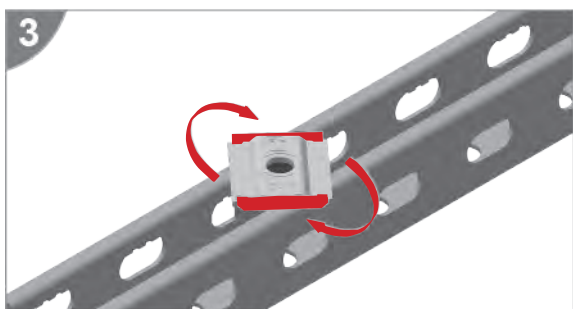


- Speed Traverse Nut can be mounted at any desired point on Binrak.
- Quick Traverse Nut is Zinc coated.

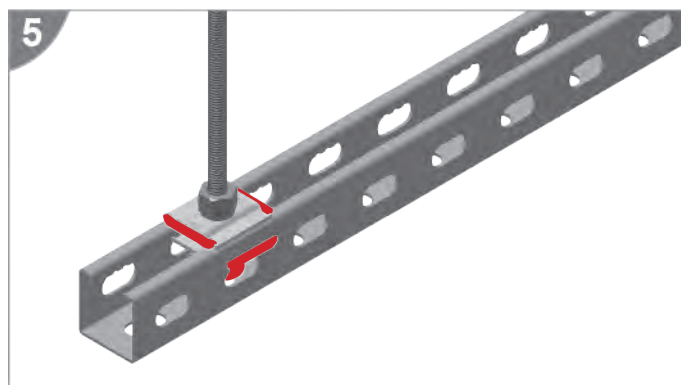
Please use the Quick Nut for fixing the supports and brackets. Please contact with the customer representative for application details, before use the Quick Nut with Binrak Fitting Accessories.



1-2. Place the Quick Nut into Binrak Channel.



3-4. By turning the Quick Nut in the direction of the arrow, select its position on the Binrak Channel.



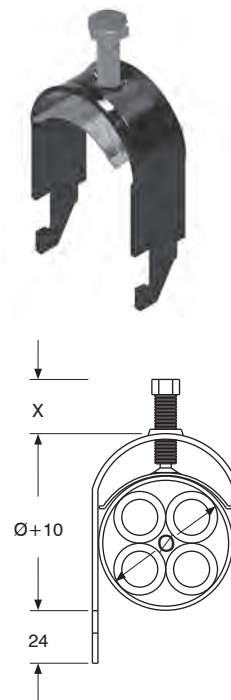
5. Tighten and fix the Quick Nut at the position selected.

- Please indicate order code in your orders.
- Please contact us for special dimensions.
- Material weights may vary by $\pm 10\%$

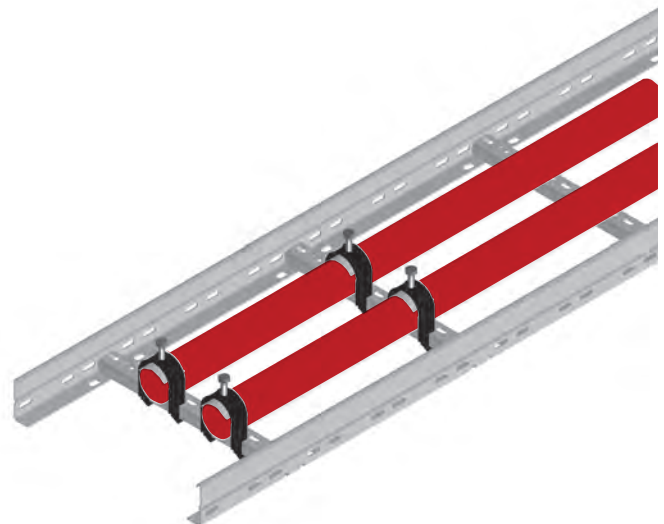
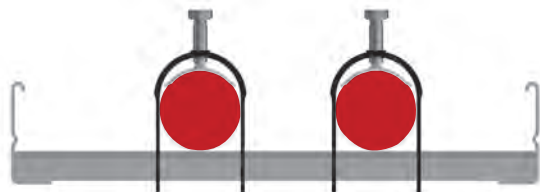
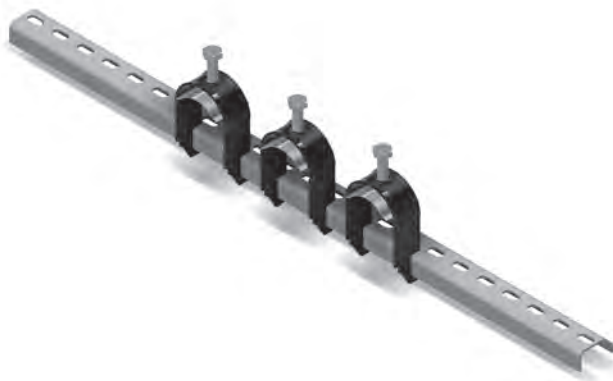
■ All dimensions are given as in mm

- PG= Pre-Galvanized
- HDG= Hot Dip Galvanized

Description	Ø (mm)	X (mm)	Weight (kg/pcs)	Order Code
1-12 CABLE CLAMP	12	20	0,055	1004215
1-16 CABLE CLAMP	16	20	0,059	1004309
1-20 CABLE CLAMP	20	20	0,065	1004214
1-24 CABLE CLAMP	24	20	0,072	1004213
1-28 CABLE CLAMP	28	20	0,076	1004307
1-32 CABLE CLAMP	32	20	0,083	1004212
1-36 CABLE CLAMP	36	20	0,088	1004211
1-40 CABLE CLAMP	40	30	0,091	1004305
1-44 CABLE CLAMP	44	30	0,098	1004210
1-48 CABLE CLAMP	48	30	0,103	1004209
1-52 CABLE CLAMP	52	30	0,108	1004303
1-56 CABLE CLAMP	56	30	0,113	1004208
1-60 CABLE CLAMP	60	30	0,121	1004207
1-64 CABLE CLAMP	64	30	0,127	1004206
1-70 CABLE CLAMP	70	30	0,136	1004205
1-76 CABLE CLAMP	76	30	0,145	1004204
1-82 CABLE CLAMP	82	30	0,153	1004203
1-88 CABLE CLAMP	88	30	0,163	1004202
1-94 CABLE CLAMP	94	30	0,173	1004201
1-100 CABLE CLAMP	100	30	0,179	1004200



■ Suitable for KME Type stairs.



■ Please indicate order code in your orders.

■ Please contact us for special dimensions.

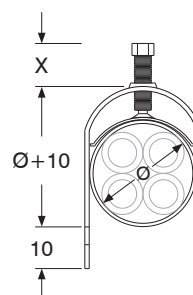
■ Material weights may vary by ± 10%

■ All dimensions are given as in mm

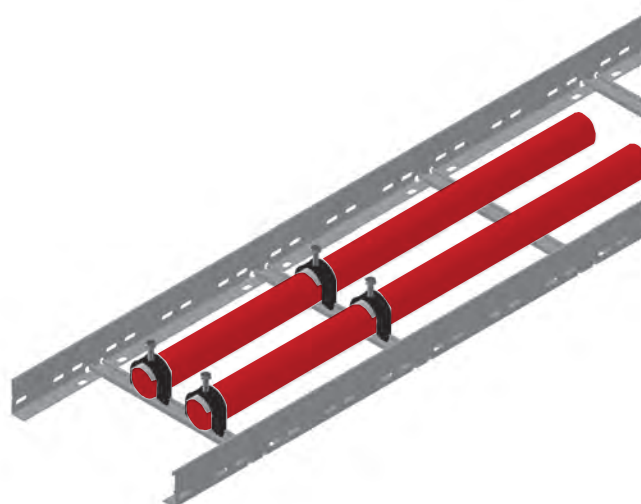
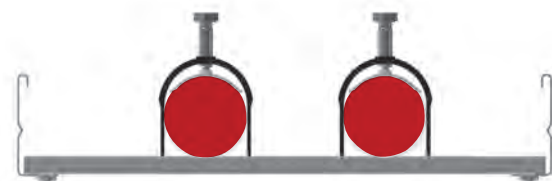
■ PG= Pre-Galvanized

■ HDG= Hot Dip Galvanized

Description	Ø (mm)	X (mm)	Weight (kg/pcs)	Order Code
1-12 CABLE CLAMP KM	12	20	0,046	1008041
1-16 CABLE CLAMP KM	16	20	0,049	1008042
1-20 CABLE CLAMP KM	20	20	0,055	1008043
1-24 CABLE CLAMP KM	24	20	0,061	1008044
1-28 CABLE CLAMP KM	28	20	0,065	1008045
1-32 CABLE CLAMP KM	32	20	0,072	1008046
1-36 CABLE CLAMP KM	36	20	0,077	1008047
1-40 CABLE CLAMP KM	40	30	0,081	1008048
1-44 CABLE CLAMP KM	44	30	0,086	1008049
1-48 CABLE CLAMP KM	48	30	0,091	1008050
1-52 CABLE CLAMP KM	52	30	0,096	1008051
1-56 CABLE CLAMP KM	56	30	0,104	1008052
1-60 CABLE CLAMP KM	60	30	0,108	1008053
1-64 CABLE CLAMP KM	64	30	0,114	1008054
1-70 CABLE CLAMP KM	70	30	0,123	1008055
1-76 CABLE CLAMP KM	76	30	0,131	1008056
1-82 CABLE CLAMP KM	82	30	0,139	1008057
1-88 CABLE CLAMP KM	88	30	0,148	1008058
1-94 CABLE CLAMP KM	94	30	0,155	1008059
1-100 CABLE CLAMP KM	100	30	0,164	1008060



■ Suitable for KM Type stairs.

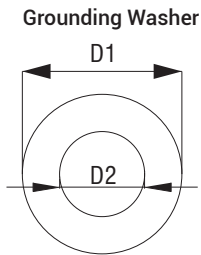


- Please indicate order code in your orders.
- Please contact us for special dimensions.
- Material weights may vary by ± 10%

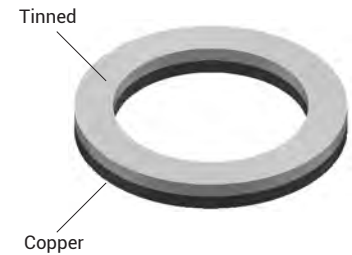
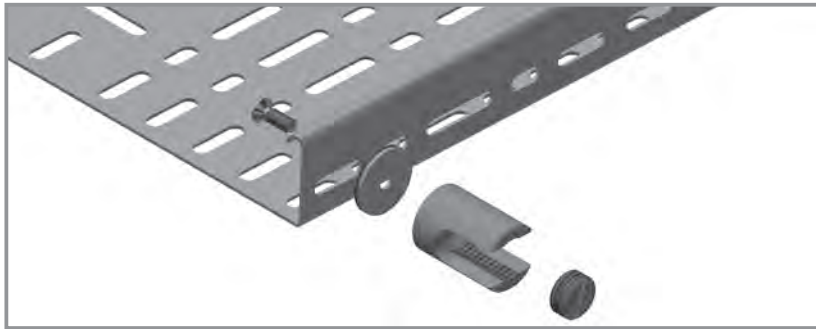
■ All dimensions are given as in mm

- PG= Pre-Galvanized
- HDG= Hot Dip Galvanized

Description	D1 (mm)	D2 (mm)	Order Code
Grounding Washer M6	12	6,4	1015408
Grounding Washer M8	16	8,4	1015409
Grounding Washer M10	20	10,5	1015410
Grounding Washer M12	24	13	1015411



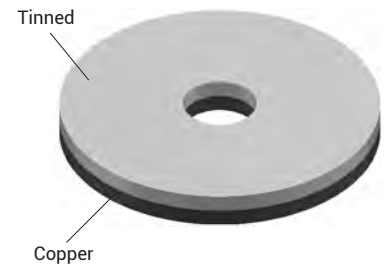
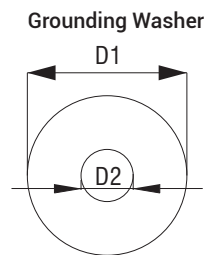
■ "Copper and brass should be used in case of contact between materials and galvanized surfaces."
 "Tin-coated faces of bimetal materials should be in contact with galvanized surfaces.
 Wrong connection will cause galvanic corrosion."



■ M6x12 Star headed bolt using with nut.

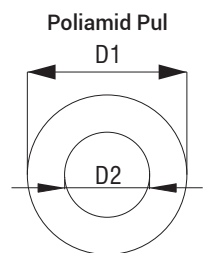
► Grounding Washer

Description	D1 (mm)	D2 (mm)	Order Code
Grounding Washer 10-35 (mm) ²	18	6,4	1015431
Grounding Washer 35-70 (mm) ²	21	6,4	1015432
Grounding Washer 70-150 (mm) ²	28	6,4	1015433
Grounding Washer 150-185 (mm) ²	31	6,4	1015434



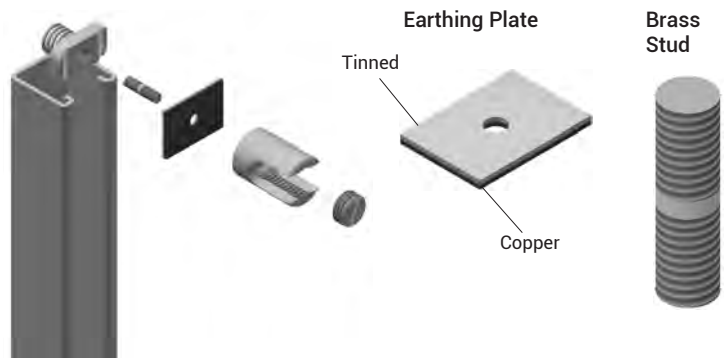
► Polyamid Washer

Description	D1 (mm)	D2 (mm)	Order Code
Poliamid Pul M6	12	6,4	1015412
Poliamid Pul M8	16	8,4	1015413
Poliamid Pul M10	20	10,5	1015414
Poliamid Pul M12	24	13	1015415



► Earthing Plate

Description	A (mm)	B (mm)	Order Code
Earthing Plate	30	42	1015435



► Brass Stud

Description	Order Code
Brass Stud M6x22	1015430

- Please indicate order code in your orders.
- Please contact us for special dimensions.
- Material weights may vary by ± 10%

■ All dimensions are given as in mm

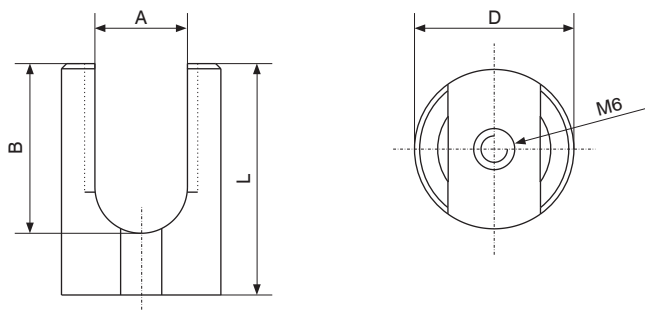
- PG= Pre-Galvanized
- HDG= Hot Dip Galvanized

Description	(mm) ²	A (mm)	B (mm)	D (mm)	L (mm)	Order Code
Brass Joint and Earthing Connector 1	10-35	8	14	18	22	1004225
Brass Joint and Earthing Connector 2	35-70	10	17	21	25	1004226
Brass Joint and Earthing Connector 3	70-150	16	29	28	39	1004227
Brass Joint and Earthing Connector 4	150-185	18	33	31	45	1004228

Brass Joint and Earthing Connector (Cylindrical)



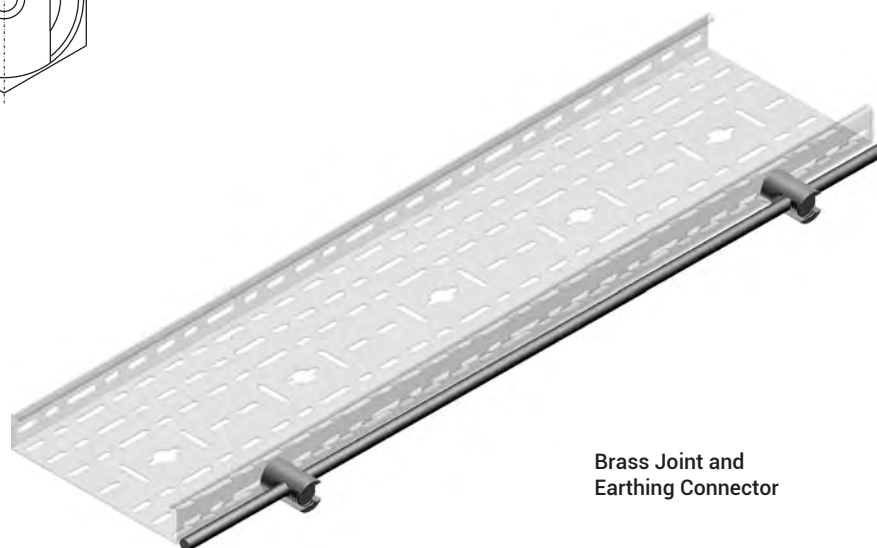
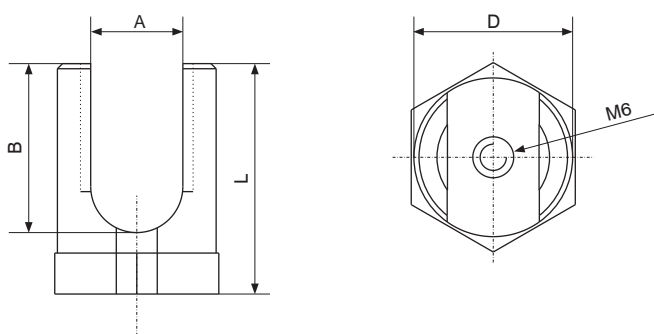
■ M6 bolt set must be purchased for the cable tray installation.



► Earthing Components

Description	(mm) ²	A (mm)	B (mm)	D (mm)	L (mm)	Order Code
Brass Joint and Earthing Connector 5	10-35	8	14	18	22	1004229
Brass Joint and Earthing Connector 6	35-70	10	17	21	25	1004230
Brass Joint and Earthing Connector 7	70-150	16	29	28	39	1004231
Brass Joint and Earthing Connector 8	150-185	18	33	31	45	1004232

Brass Joint and Earthing Connector (Hexagonal)



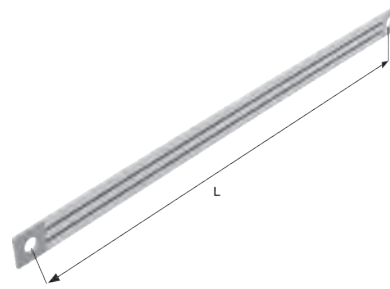
Brass Joint and Earthing Connector

- Please indicate order code in your orders.
- Please contact us for special dimensions.
- Material weights may vary by ± 10%

■ All dimensions are given as in mm

- PG= Pre-Galvanized
- HDG= Hot Dip Galvanized

Description	Conductor Cross Section	Length (L)	Order Code
Grounding Conductor-10-370	10 mm ²	370 mm	1022651
Grounding Conductor-16-370	16 mm ²	370 mm	1022652
Grounding Conductor-25-370	25 mm ²	370 mm	1022653
Grounding Conductor-35-370	35 mm ²	370 mm	1022654



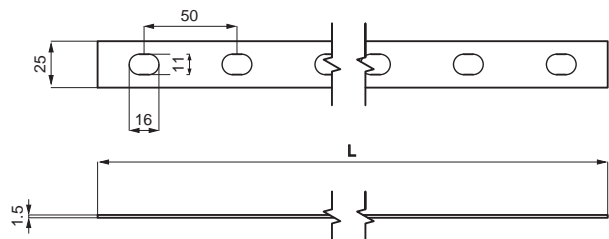
Description	Conductor Cross Section	Length (L)	Order Code
Grounding Conductor-6-370	6 mm ²	370 mm	1054068
Grounding Conductor-8-370	8 mm ²	370 mm	1054069



For assembly, 2 sets of M6x12 bolts must be ordered separately.

► Pear Clamp

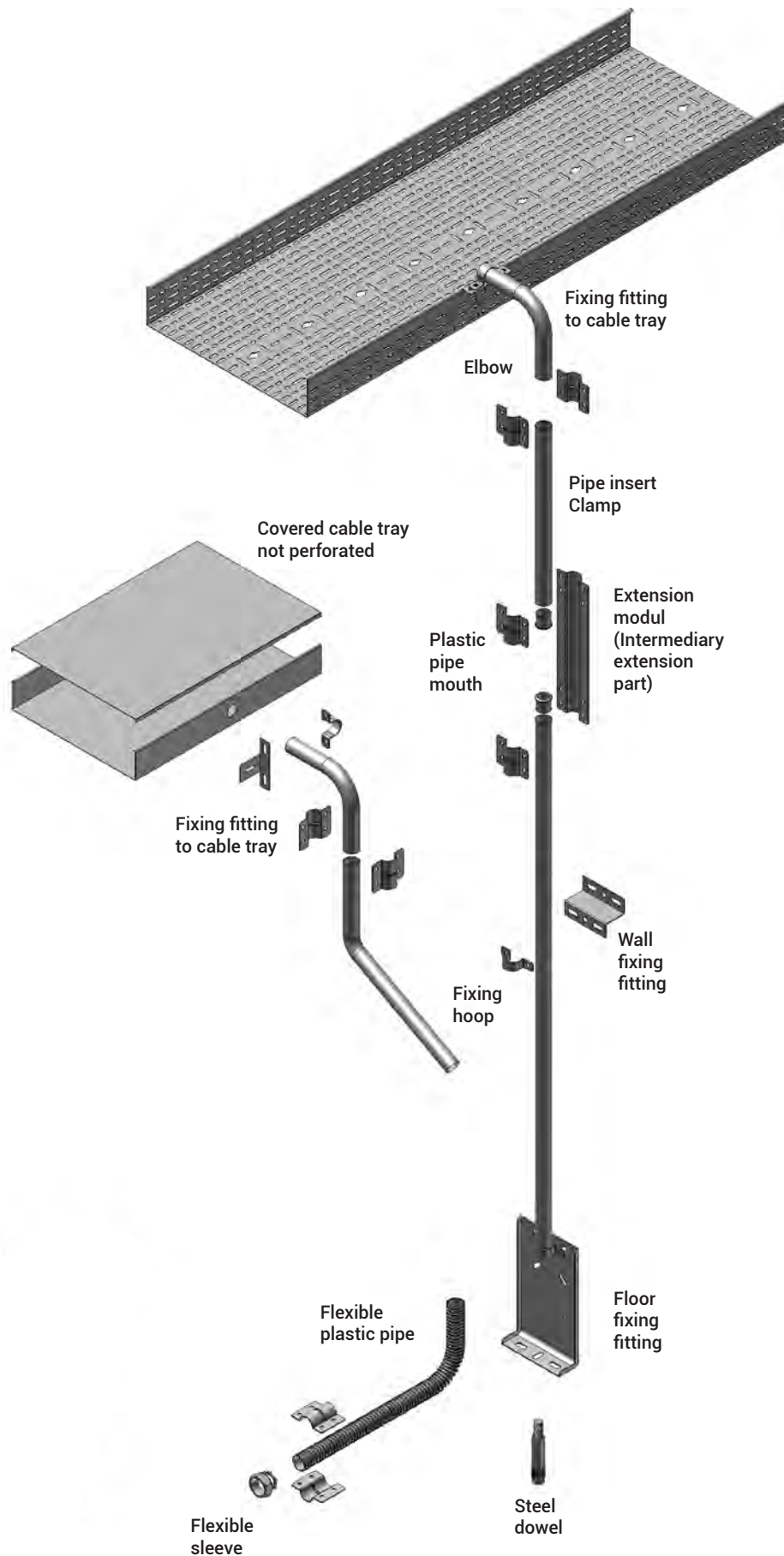
Description	Length (L)	Weight (kg/pcs)	Order Code
PEAR CLAMP (Hot Dip Galvanized)	3000	0,86	3188125
PEAR CLAMP (Pre-galvanized)	3000	0,777	3188126



- Please indicate order code in your orders.
- Please contact us for special dimensions.
- Material weights may vary by ± 10%

■ All dimensions are given as in mm

- PG= Pre-Galvanized
- HDG= Hot Dip Galvanized



- Please indicate order code in your orders.
- Please contact us for special dimensions.
- Material weights may vary by $\pm 10\%$

■ All dimensions are given as in mm

- PG= Pre-Galvanized
- HDG= Hot Dip Galvanized

Description	Weight (kg/pcs)	Order Code	Pack (pcs)
(Ø 25) Elbow 90°	0,130	1004298	-
(Ø 42) Elbow 90°	0,260	1004297	-

Elbow 90°



Description	Weight (kg/pcs)	Order Code	Pack (pcs)
(Ø 25) Angled Elbow 45°	0,145	1004296	-
(Ø 42) Angled Elbow 45°	0,530	1004295	-

Angled Elbow 45°



Description	Weight (kg/pcs)	Order Code	Pack (pcs)
(Ø 25) Pipe Fixing Crochet	0,017	3008322	50
(Ø 42) Pipe Fixing Crochet	0,026	3008321	-

Pipe Fixing Crochet



Description	Weight (kg/pcs)	Order Code	Pack (pcs)
(Ø 25) Pipe Joint Clamp	0,100	3008320	20
(Ø 42) Pipe Joint Clamp	0,150	3008319	20

Pipe Joint Clamp



Description	Weight (kg/pcs)	Order Code	Pack (pcs)
(Ø 25) Plastic Pipe Mouth	0,130	1004294	-
(Ø 42) Plastic Pipe Mouth	0,260	1004293	-

Plastic Pipe Mouth



Description	Weight (kg/pcs)	Order Code	Pack (pcs)
(Ø 25) Inter Outlet Component	0,204	3008318	-
(Ø 42) Inter Outlet Component	0,401	3008317	10

Inter Outlet Component



■ Please indicate order code in your orders.
 ■ Please contact us for special dimensions.
 ■ Material weights may vary by ± 10%

■ All dimensions are given as in mm

■ PG= Pre-Galvanized
 ■ HDG= Hot Dip Galvanized

Description	Weight (kg/pcs)	Order Code	Pack (pcs)
Fitting Component to Floor	0,392	3008316	-
Fitting Component to Wall	0,091	3008323	-

Fitting Component to Wall



Fitting Component to Floor



Description	Weight (kg/pcs)	Order Code	Pack (pcs)
UK Fixing Component to Cable Tray	0,080	3008315	-

UK Fixing Component to Cable Tray



Description	Weight (kg/pcs)	Order Code	Pack (pcs)
(Ø 25) Flexible Sleeve	0,070	1004289	-
(Ø 42) Flexible Sleeve	0,155	1004288	-

Flexible Sleeve



Description	Weight (kg/m)	Order Code
(Ø 25) Pipe	0,593	1004300
(Ø 42) Pipe	1,103	1004299

Pipe



Description	Weight (kg/pcs)	Order Code
(Ø 25) Flexible Pipe	0,054	1004292
(Ø 42) Flexible Pipe	0,072	1004291

Flexible Pipe



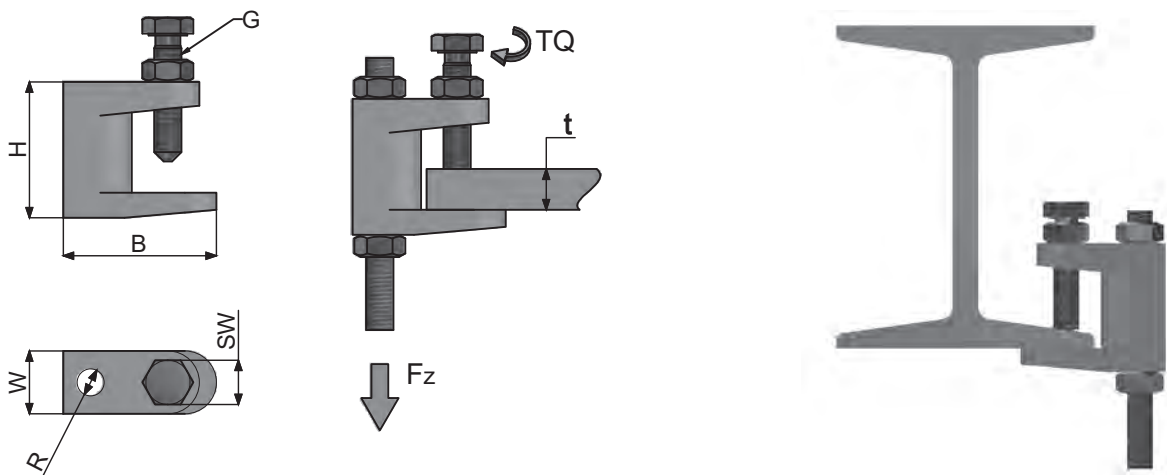
- Please indicate order code in your orders.
- Please contact us for special dimensions.
- Material weights may vary by ± 10%

■ All dimensions are given as in mm

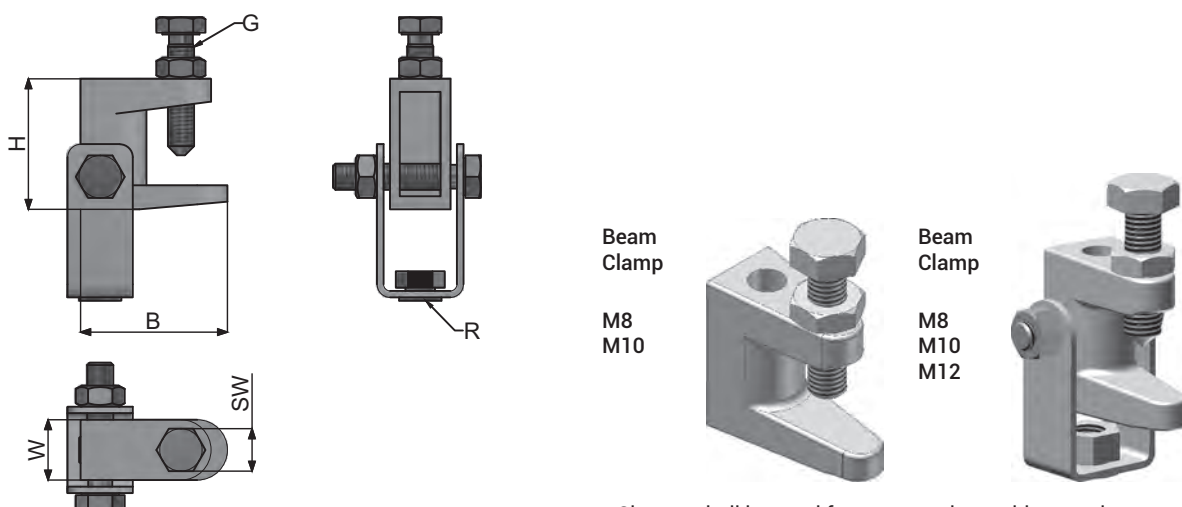
- PG= Pre-Galvanized
- HDG= Hot Dip Galvanized

Description	Technical Information						Dimensions			Weight (kg/pcs)	Order Code
	Tightening Bolt G	Support Rod R	Max. Wall Thickness	Max. Safe Load Fz	Tightening Wrench	Spring Load	B	H	W		
M8 Beam Clamp	M8	M8	12 mm	120	13 mm	7 Nm	45mm	40mm	18,5mm	0,170	5000004
M10 Beam Clamp	M10	M10	15 mm	240	17 mm	7 Nm	48 mm	45mm	21mm	0,180	5000005
M8 Beam Clamp	M8	M8	12 mm	120	13 mm	7 Nm	45mm	40mm	18,5mm	0,220	5000001
M10 Beam Clamp	M10	M10	15 mm	240	17 mm	7 Nm	48mm	45mm	21mm	0,230	5000002
M12 Beam Clamp	M10	M12	15 mm	240	17 mm	7 Nm	48mm	45mm	21mm	0,340	5000003

▶ CLAMP



▶ BEAM CLAMP



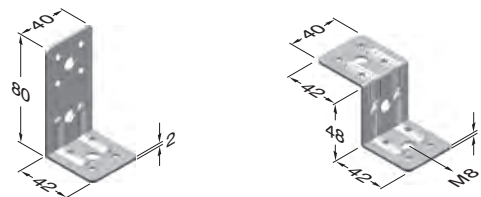
* Clamps shall be used for constructions with a maximum wall thickness of 15 mm.
*Recommended torque value for clamps is 7 Nm.

- Please indicate order code in your orders.
- Please contact us for special dimensions.
- Material weights may vary by ± 10%

■ All dimensions are given as in mm

- PG= Pre-Galvanized
- HDG= Hot Dip Galvanized

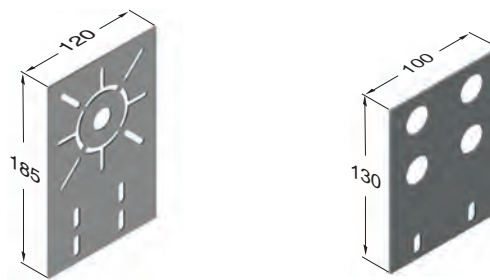
Description	Weight (kg/pcs)	PG Code
"T" Fixing Fitting	0,074	3008265
"T" Ceiling Connection Part	0,076	3008324



Description	Weight (kg/pcs)	Order Code
Cotter Pin	0,025	1004310



Description	Weight (kg/pcs)	PG Code
Socket Mounting Plate (Pre)	0,245	3006652
Socket Mounting Plate	0,135	3295914



Description	Weight (kg/pcs)	HDG Code
Socket Mounting Plate (HDG)	0,269	3006653
Socket Mounting Plate	0,148	3295021

Description	Weight (kg/pcs)	Order Code
Cable Tray Extension Bolt M6x12	0,009	1004314
Binrak Extension Bolt M8x15	0,010	1004285
Edge Protection Strip-One Side	0,070	1001414
Edge Protection Strip-Double Side	0,140	1001454



Description	Weight (kg/pcs)	Order Code
EAE Zinc Spray	0,380	1000172

EAE
Zinc
Spray
400ml



Description	Weight (kg/pcs)	Order Code
Zinga Paint (1kg)	1,000	1015740
Zinga Paint (5kg)	5,000	1015741

Zinga Boya



Description	Weight (kg/pcs)	Order Code
BR 21x41 Protection Cover	0,005	1020340
BR 41x41 Protection Cover	0,008	1020339



■ EAE recommends to apply ZINGA paint to the cut areas of the products. Please see INFO section for the product's technical specifications and usage.

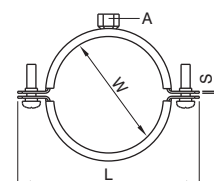
■ BRA 8 supplementary bolt kit;
Contains 1 unit M6x12 round head bolt + 1 unit M6 flanged nut.
Coated with standard lac.

- Please indicate order code in your orders.
- Please contact us for special dimensions.
- Material weights may vary by ± 10%

■ All dimensions are given as in mm

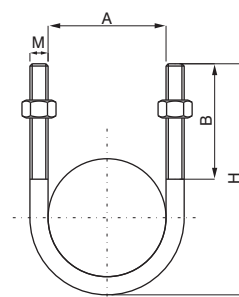
- PG= Pre-Galvanized
- HDG= Hot Dip Galvanized

Description	S x B	W	L	A	Weight (kg/pcs)	Order Code
Pipe Clamp 3/8"	1,5x20	16-20	58,5	M8	0,057	1003620
Pipe Clamp 1/2"	1,5x20	20-24	62,5	M8	0,061	1003621
Pipe Clamp 3/4"	1,5x20	25-28	68,5	M8	0,067	1003622
Pipe Clamp 1"	1,5x20	32-35	76	M8	0,075	1003623
Pipe Clamp 1 1/4"	1,5x20	39-46	91,5	M8	0,092	1003624
Pipe Clamp 1 1/2"	1,5x20	48-53	99	M8	0,101	1003625
Pipe Clamp 2"	1,5x20	59-66	112	M8	0,117	1003626
Pipe Clamp 2 1/2"	2x25	74-80	134	M10	0,210	1003627
Pipe Clamp 3"	2x25	87-94	146,5	M10	0,228	1003628
Pipe Clamp 4"	2,5x25	110-116	173	M10	0,310	1003629
Pipe Clamp 5"	2,5x25	135-143	199	M10	0,358	1003630
Pipe Clamp 6"	2,5x25	162-170	227	M10	0,398	1003631
Pipe Clamp 8"	2,5x25	207-219	280,7	M10	0,523	1003632



► U Bolt

Description	A	H	B	M	Weight (kg/pcs)	Order Code
U Bolt 1/2"	24	50	30	M6	0,049	1003652
U Bolt 3/4"	30	60	30	M6	0,052	1003653
U Bolt 1"	36	70	30	M8	0,054	1003654
U Bolt 1 1/4"	46	80	40	M8	0,063	1003655
U Bolt 1 1/2"	52	90	50	M8	0,068	1003656
U Bolt 2"	64	100	50	M10	0,136	1003657
U Bolt 2 1/2"	78	120	50	M10	0,155	1003658
U Bolt 3"	94	140	60	M12	0,266	1003659
U Bolt 4"	118	160	65	M12	0,332	1003661
U Bolt 5"	146	200	65	M12	0,400	1003662
U Bolt 6"	172	220	90	M16	0,756	1003660
U Bolt 8"	224	270	90	M16	1,500	1004128



- Please indicate order code in your orders.
- Please contact us for special dimensions.
- Material weights may vary by $\pm 10\%$

■ All dimensions are given as in mm

- PG= Pre-Galvanized
- HDG= Hot Dip Galvanized

Description	EMT Measure	Outer Diameter	Joint Thickness (mm)	Weight (kg/pcs)	Order Code
Conduit 1/2" PG	1/2"	17,93	1,07	0,44	1034678
Conduit 3/4" PG	3/4"	23,42	1,25	0,68	1034679
Conduit 1" PG	1"	29,54	1,45	1,00	1034680
Conduit 1 1/4" PG	1 1/4"	38,35	1,65	1,49	1034681
Conduit 1 1/2" PG	1 1/2"	44,20	1,65	1,73	1034682
Conduit 2" PG	2"	55,80	1,65	2,20	1034683
Conduit 2 1/2" PG	2 1/2"	73,03	1,83	3,07	1034684
Conduit 3" PG	3"	88,90	1,83	3,87	1034685
Conduit 4" PG	4"	114,30	2,11	5,81	1034686



L= 3000mm

► Conduit Without Thread Hot-Dip-Galvanized

Description	Outer Diameter	Joint Thickness (mm)	Weight (kg/pcs)	Order Code
Conduit 1/2" HDG	17,93	1,07	0,45	1034687
Conduit 3/4" HDG	23,42	1,24	0,69	1034688
Conduit 1" HDG	29,54	1,45	1,00	1034689
Conduit 1 1/4" HDG	38,35	1,65	1,50	1034690
Conduit 1 1/2" HDG	44,20	1,65	1,72	1034691
Conduit 2" HDG	55,80	1,65	2,20	1034692
Conduit 2 1/2" HDG	73,03	1,83	3,21	1034693
Conduit 3" HDG	88,90	1,83	3,91	1034694
Conduit 4" HDG	114,30	2,11	5,85	1034695



L= 3000mm

- Please indicate order code in your orders.
- Please contact us for special dimensions.
- Material weights may vary by ± 10%

■ All dimensions are given as in mm

- PG= Pre-Galvanized
- HDG= Hot Dip Galvanized

► End Socket, Bolted Type / ZAMAK

Description	EMT Measure	Package Amount (pcs)	Pack. Weight (kg)	Order Code
Conduit 1/2" End socket, bolted type / ZAMAK	1/2"	100	2,20	1034696
Conduit 3/4" End socket, bolted type / ZAMAK	3/4"	100	3,20	1034697
Conduit 1" End socket, bolted type / ZAMAK	1"	50	2,60	1034698
Conduit 1 1/4" End socket, bolted type / ZAMAK	1 1/4"	25	2,20	1034699
Conduit 1 1/2" End socket, bolted type / ZAMAK	1 1/2"	20	2,20	1034700
Conduit 2" End socket, bolted type / ZAMAK	2"	10	1,60	1034701
Conduit 2 1/2" End socket, bolted type / ZAMAK	2 1/2"	40	11,00	1034702
Conduit 3" End socket, bolted type / ZAMAK	3"	40	14,00	1034703
Conduit 4" End socket, bolted type / ZAMAK	4"	20	11,00	1034704



► End Socket, Tightening Type / ZAMAK

Description	EMT Measure	Package Amount (pcs)	Pack. Weight (kg)	Order Code
Conduit 1/2" End socket, tightening type / ZAMAK	1/2"	100	3,00	1034705
Conduit 3/4" End socket, tightening type / ZAMAK	3/4"	50	2,40	1034706
Conduit 1" End socket, tightening type / ZAMAK	1"	50	3,80	1034707
Conduit 1 1/4" End socket, tightening type / ZAMAK	1 1/4"	25	2,80	1034708
Conduit 1 1/2" End socket, tightening type / ZAMAK	1 1/2"	20	3,40	1034709
Conduit 2" End socket, tightening type / ZAMAK	2"	10	2,60	1034710
Conduit 2 1/2" End socket, tightening type / ZAMAK	2 1/2"	40	13,00	1034711
Conduit 3" End socket, tightening type / ZAMAK	3"	40	18,00	1034712
Conduit 4" End socket, tightening type / ZAMAK	4"	20	15,00	1034713



► End Socket, Bolted Type / Steel

Description	EMT Measure	Package Amount (pcs)	Pack. Weight (kg)	Order Code
Conduit 1/2" End socket, bolted type / Steel	1/2"	50	2,12	1034714
Conduit 3/4" End socket, bolted type / Steel	3/4"	25	1,49	1034715
Conduit 1" End socket, bolted type / Steel	1"	20	1,89	1034716
Conduit 1 1/4" End socket, bolted type / Steel	1 1/4"	25	4,10	1034717
Conduit 1 1/2" End socket, bolted type / Steel	1 1/2"	25	4,50	1034718
Conduit 2" End socket, bolted type / Steel	2"	20	4,70	1034719
Conduit 2 1/2" End socket, bolted type / Steel	2 1/2"	12	4,00	1034720
Conduit 3" End socket, bolted type / Steel	3"	12	4,80	1034721
Conduit 4" End socket, bolted type / Steel	4"	6	3,30	1034722



► End socket, Tightening Type / Steel

Description	EMT Measure	Package Amount (pcs)	Pack. Weight (kg)	Order Code
Conduit 1/2" End socket, tightening type / Steel	1/2"	25	1,43	1034723
Conduit 3/4" End socket, tightening type / Steel	3/4"	25	2,05	1034724
Conduit 1" End socket, tightening type / Steel	1"	10	1,32	1034725
Conduit 1 1/4" End socket, tightening type / Steel	1 1/4"	25	4,40	1034726
Conduit 1 1/2" End socket, tightening type / Steel	1 1/2"	20	5,00	1034727
Conduit 2" End socket, tightening type / Steel	2"	15	4,80	1034728
Conduit 2 1/2" End socket, tightening type / Steel	2 1/2"	8	6,00	1034729
Conduit 3" End socket, tightening type / Steel	3"	4	3,60	1034730
Conduit 4" End socket, tightening type / Steel	4"	4	5,00	1034731



- Please indicate order code in your orders.
- Please contact us for special dimensions.
- Material weights may vary by ± 10%

■ All dimensions are given as in mm

- PG= Pre-Galvanized
- HDG= Hot Dip Galvanized

▶ Coupling Socket, Bolted Type / ZAMAK

Description	EMT Measure	Package Amount (pcs)	Pack. Weight (kg)	Order Code
Conduit 1/2" Coupling socket, bolted type / ZAMAK	1/2"	100	2,20	1034732
Conduit 3/4" Coupling socket, bolted type / ZAMAK	3/4"	100	3,20	1034733
Conduit 1" Coupling socket, bolted type / ZAMAK	1"	50	2,60	1034734
Conduit 1 1/4" Coupling socket, bolted type / ZAMAK	1 1/4"	25	2,20	1034735
Conduit 1 1/2" Coupling socket, bolted type / ZAMAK	1 1/2"	20	2,20	1034736
Conduit 2" Coupling socket, bolted type / ZAMAK	2"	10	1,60	1034737
Conduit 2 1/2" Coupling socket, bolted type / ZAMAK	2 1/2"	40	11,00	1034738
Conduit 3" Coupling socket, bolted type / ZAMAK	3"	40	14,00	1034739
Conduit 4" Coupling socket, bolted type / ZAMAK	4"	20	11,00	1034740



▶ Coupling Socket, Tightening Type / ZAMAK

Description	EMT Measure	Package Amount (pcs)	Pack. Weight (kg)	Order Code
Conduit 1/2" Coupling socket, tightening type / ZAMAK	1/2"	100	3,80	1034741
Conduit 3/4" Coupling socket, tightening type / ZAMAK	3/4"	50	2,80	1034742
Conduit 1" Coupling socket, tightening type / ZAMAK	1"	50	4,20	1034743
Conduit 1 1/4" Coupling socket, tightening type / ZAMAK	1 1/4"	25	3,40	1034744
Conduit 1 1/2" Coupling socket, tightening type / ZAMAK	1 1/2"	20	3,60	1034745
Conduit 2" Coupling socket, tightening type / ZAMAK	2"	10	2,40	1034746
Conduit 2 1/2" Coupling socket, tightening type / ZAMAK	2 1/2"	40	14,70	1034747
Conduit 3" Coupling socket, tightening type / ZAMAK	3"	40	18,80	1034748
Conduit 4" Coupling socket, tightening type / ZAMAK	4"	20	16,60	1034749



▶ Coupling Socket, Bolted Type / Steel

Description	EMT Measure	Package Amount (pcs)	Pack. Weight (kg)	Order Code
Conduit 1/2" Coupling socket, bolted type / Steel	1/2"	50	1,87	1034750
Conduit 3/4" Coupling socket, bolted type / Steel	3/4"	25	1,34	1034751
Conduit 1" Coupling socket, bolted type / Steel	1"	20	1,66	1034752
Conduit 1 1/4" Coupling socket, bolted type / Steel	1 1/4"	25	4,20	1034753
Conduit 1 1/2" Coupling socket, bolted type / Steel	1 1/2"	25	4,70	1034754
Conduit 2" Coupling socket, bolted type / Steel	2"	20	5,20	1034755
Conduit 2 1/2" Coupling socket, bolted type / Steel	2 1/2"	12	7,00	1034756
Conduit 3" Coupling socket, bolted type / Steel	3"	12	9,00	1034757
Conduit 4" Coupling socket, bolted type / Steel	4"	6	6,40	1034758



▶ Coupling Socket, Tightening Type / Steel

Description	EMT Measure	Package Amount (pcs)	Pack. Weight (kg)	Order Code
Conduit 1/2" Coupling socket, tightening type / Steel	1/2"	25	1,70	1034759
Conduit 3/4" Coupling socket, tightening type / Steel	3/4"	25	2,30	1034760
Conduit 1" Coupling socket, tightening type / Steel	1"	10	1,43	1034761
Conduit 1 1/4" Coupling socket, tightening type / Steel	1 1/4"	25	4,70	1034762
Conduit 1 1/2" Coupling socket, tightening type / Steel	1 1/2"	20	5,80	1034763
Conduit 2" Coupling socket, tightening type / Steel	2"	15	4,70	1034764
Conduit 2 1/2" Coupling socket, tightening type / Steel	2 1/2"	8	7,00	1034765
Conduit 3" Coupling socket, tightening type / Steel	3"	4	4,20	1034766
Conduit 4" Coupling socket, tightening type / Steel	4"	4	6,10	1034767



- Please indicate order code in your orders.
- Please contact us for special dimensions.
- Material weights may vary by ± 10%

■ All dimensions are given as in mm

- PG= Pre-Galvanized
- HDG= Hot Dip Galvanized

▶ Fastening Clip, Two Holes / Steel

Description	EMT Measure	Outer Diameter (mm)	Package Amount (pcs)	Package Weight (kg)	Order Code
Conduit 1/2" Fastening clip, two holes / STEEL	1/2"	17,93	100	2,20	1034768
Conduit 3/4" Fastening clip, two holes / STEEL	3/4"	23,42	100	3,20	1034769
Conduit 1" Fastening clip, two holes / STEEL	1"	29,54	50	2,60	1034770
Conduit 1 1/4" Fastening clip, two holes / STEEL	1 1/4"	38,35	25	2,20	1034771
Conduit 1 1/2" Fastening clip, two holes / STEEL	1 1/2"	44,20	20	2,20	1034772
Conduit 2" Fastening clip, two holes / STEEL	2"	55,80	10	1,60	1034773
Conduit 2 1/2" Fastening clip, two holes / STEEL	2 1/2"	73,03	40	11,00	1034774
Conduit 3" Fastening clip, two holes / STEEL	3"	88,90	40	14,00	1034775
Conduit 4" Fastening clip, two holes / STEEL	4"	114,30	20	11,00	1034776



▶ Fastening Clip, Single Hole

Description	EMT Measure	Outer Diameter (mm)	Package Amount (pcs)	Package Weight (kg)	Order Code
Conduit 1/2" Fastening clip, single hole / STEEL	1/2"	17,93	100	3,80	1034777
Conduit 3/4" Fastening clip, single hole / STEEL	3/4"	23,42	100	2,80	1034778
Conduit 1" Fastening clip, single hole / STEEL	1"	29,54	50	4,20	1034779
Conduit 1 1/4" Fastening clip, single hole / STEEL	1 1/4"	38,35	25	3,40	1034780
Conduit 1 1/2" Fastening clip, single hole / STEEL	1 1/2"	44,20	20	3,60	1034781
Conduit 2" Fastening clip, single hole / STEEL	2"	55,80	10	2,40	1034782
Conduit 2 1/2" Fastening clip, single hole / STEEL	2 1/2"	73,03	40	14,70	1034783
Conduit 3" Fastening clip, single hole / STEEL	3"	88,90	40	18,80	1034784
Conduit 4" Fastening clip, single hole / STEEL	4"	114,30	20	16,60	1034785



▶ Hanger Clip

Description	EMT Measure	Package Amount (pcs)	Package Weight (kg)	Order Code
Conduit 1/2" Hanger clip/ STEEL	1/2"	50	1,87	1034786
Conduit 3/4" Hanger clip/ STEEL	3/4"	25	1,34	1034787
Conduit 1" Hanger clip/ STEEL	1"	20	1,66	1034788
Conduit 1 1/4" Hanger clip/ STEEL	1 1/4"	25	4,20	1034789
Conduit 1 1/2" Hanger clip/ STEEL	1 1/2"	25	4,70	1034790
Conduit 2" Hanger clip/ STEEL	2"	20	5,20	1034791
Conduit 2 1/2" Hanger clip/ STEEL	2 1/2"	12	7,00	1034792
Conduit 3" Hanger clip/ STEEL	3"	12	9,00	1034793
Conduit 4" Hanger clip/ STEEL	4"	6	6,40	1034794



▶ Fastening Clip, Two Holes

Description	EMT Measure	Package Amount (pcs)	Package Weight (kg)	Order Code
Conduit 1/2" Strut hanger clip / STEEL	1/2"	25	1,70	1034795
Conduit 3/4" Strut hanger clip / STEEL	3/4"	25	2,30	1034796
Conduit 1" Strut hanger clip / STEEL	1"	10	1,43	1034797
Conduit 1 1/4" Strut hanger clip / STEEL	1 1/4"	25	4,70	1034798
Conduit 1 1/2" Strut hanger clip / STEEL	1 1/2"	20	5,80	1034799
Conduit 2" Strut hanger clip / STEEL	2"	15	4,70	1034800
Conduit 2 1/2" Strut hanger clip / STEEL	2 1/2"	8	7,00	1034801
Conduit 3" Strut hanger clip / STEEL	3"	4	4,20	1034802
Conduit 4" Strut hanger clip / STEEL	4"	4	6,10	1034803



- Please indicate order code in your orders.
- Please contact us for special dimensions.
- Material weights may vary by ± 10%

■ All dimensions are given as in mm

- PG= Pre-Galvanized
- HDG= Hot Dip Galvanized

▶ Conduit To Flexible Connector / Bolted, Tightening / ZAMAK

Description	EMT Measure	Suitable Spiral Measure	Package Amount (pcs)	Order Code
Conduit 1/2" Conduit To Flexible Connector / Bolted, Tightening /ZAMAK	1/2"	MN... -16	50	1034804
Conduit 3/4" Conduit To Flexible Connector / Bolted, Tightening /ZAMAK	3/4"	MN... -21	50	1034805
Conduit 1" Conduit To Flexible Connector / Bolted, Tightening/ZAMAK	1"	MN... -26	25	1034806
Conduit 1 1/4" Conduit To Flexible Connector / Bolted, Tightening/ZAMAK	1 1/4"	MN... -35	20	1034807
Conduit 1 1/2" Conduit To Flexible Connector / Bolted, Tightening/ZAMAK	1 1/2"	MN... -40	10	1034808
Conduit 2" Conduit To Flexible Connector / Bolted, Tightening/ZAMAK	2"	MN... -52	10	1034809
Conduit 2 1/2" Conduit To Flexible Connector / Bolted, Tightening/ZAMAK	2 1/2"	MN... -63	25	1034810
Conduit 3" Conduit To Flexible Connector / Bolted, Tightening/ZAMAK	3"	MN... -78	20	1034811
Conduit 4" Conduit To Flexible Connector / Bolted, Tightening/ZAMAK	4"	MN... -102	10	1034812



▶ Conduit To Flexible Connector/ Tightening / ZAMAK

Description	EMT Measure	Suitable Spiral Measure	Package Amount (pcs)	Order Code
Conduit 1/2" Conduit to Flexible Connector/ tightening/ZAMAK	1/2"	MN... -16	100	1034813
Conduit 3/4" Conduit to Flexible Connector/ tightening/ZAMAK	3/4"	MN... -21	50	1034814
Conduit 1" Conduit to Flexible Connector/ tightening/ZAMAK	1"	MN... -26	25	1034815
Conduit 1 1/4" Conduit to Flexible Connector/ tightening/ZAMAK	1 1/4"	MN... -35	20	1034816
Conduit 1 1/2" Conduit to Flexible Connector/ tightening/ZAMAK	1 1/2"	MN... -40	10	1034817
Conduit 2" Conduit to Flexible Connector/ tightening/ZAMAK	2"	MN... -52	10	1034818
Conduit 2 1/2" Conduit to Flexible Connector/ tightening/ZAMAK	2 1/2"	MN... -63	25	1034819
Conduit 3" Conduit to Flexible Connector/ tightening/ZAMAK	3"	MN... -78	20	1034820
Conduit 4" Conduit to Flexible Connector/ tightening/ZAMAK	4"	MN... -102	10	1034821



▶ Conduit To Flexible Connector/ Bolted Type / ZAMAK

Description	EMT Measure	Suitable Spiral Measure	Package Amount (pcs)	Order Code
Conduit 1/2" Conduit to Flexible Connector/ bolted type/ZAMAK	1/2"	MN... -16	50	1034822
Conduit 3/4" Conduit to Flexible Connector/ bolted type/ZAMAK	3/4"	MN... -21	40	1034823
Conduit 1" Conduit to Flexible Connector/ bolted type/ZAMAK	1"	MN... -26	20	1034824



▶ Connector/ Bolted Type / Steel

Description	EMT Measure	Suitable Spiral Measure	Package Amount (pcs)	Order Code
Conduit 1/2" Conduit to Flexible Connector/ bolted type/STEEL	1/2"	MN... -16	50	1034825
Conduit 3/4" Conduit to Flexible Connector/ bolted type/STEEL	3/4"	MN... -21	50	1034826
Conduit 1" Conduit to Flexible Connector/ bolted type/STEEL	1"	MN... -26	25	1034827
Conduit 1 1/4" Conduit to Flexible Connector/ bolted type/STEEL	1 1/4"	MN... -35	20	1034828
Conduit 1 1/2" Conduit to Flexible Connector/ bolted type/STEEL	1 1/2"	MN... -40	10	1034829
Conduit 2" Conduit to Flexible Connector/ bolted type/STEEL	2"	MN... -52	10	1034830
Conduit 2 1/2" Conduit to Flexible Connector/ bolted type/STEEL	2 1/2"	MN... -63	25	1034831
Conduit 3" Conduit to Flexible Connector/ bolted type/STEEL	3"	MN... -78	20	1034832
Conduit 4" Conduit to Flexible Connector/ bolted type/STEEL	4"	MN... -102	10	1034833



- Please indicate order code in your orders.
- Please contact us for special dimensions.
- Material weights may vary by ± 10%

■ All dimensions are given as in mm

- PG= Pre-Galvanized
- HDG= Hot Dip Galvanized

▶45° - Steel Bend

Description	EMT Measure	Package Amount (pcs)	Package Amount (kg)	Order Code
Conduit 1/2" Steel bend 45°	1/2"	100	10,60	1034834
Conduit 3/4" Steel bend 45°	3/4"	100	17,50	1034835
Conduit 1" Steel bend 45°	1"	50	17,50	1034836
Conduit 1 1/4" Steel bend 45°	1 1/4"	40	28,00	1034837
Conduit 1 1/2" Steel bend 45°	1 1/2"	40	32,50	1034838
Conduit 2" Steel bend 45°	2"	15	13,50	1034839
Conduit 2 1/2" Steel bend 45°	2 1/2"	10	20,00	1034840
Conduit 3" Steel bend 45°	3"	9	24,50	1034841
Conduit 4" Steel bend 45°	4"	9	43,00	1034842



▶90° - Steel Bend

Description	EMT Measure	Package Amount (pcs)	Package Amount (kg)	Order Code
Conduit 1/2" Steel bend 90°	1/2"	200	20,0	1034843
Conduit 3/4" Steel bend 90°	3/4"	100	12,0	1034844
Conduit 1" Steel bend 90°	1"	50	16,0	1034845
Conduit 1 1/4" Steel bend 90°	1 1/4"	25	14,0	1034846
Conduit 1 1/2" Steel bend 90°	1 1/2"	20	16,0	1034847
Conduit 2" Steel bend 90°	2"	15	18,0	1034848
Conduit 2 1/2" Steel bend 90°	2 1/2"	10	20,0	1034849
Conduit 3" Steel bend 90°	3"	9	24,5	1034850
Conduit 4" Steel bend 90°	4"	9	43,0	1034851



▶90° - Control Bend, Bolted Type

Description	EMT Measure	Package Amount (pcs)	Package Amount (kg)	Order Code
Conduit 1/2" Control bend 90° , bolted type	1/2"	50	3,2	1034852
Conduit 3/4" Control bend 90° , bolted type	3/4"	40	4,2	1034853
Conduit 1" Control bend 90° , bolted type	1"	20	4,0	1034854



▶90° - Control Bend Side Cap

Description	EMT Measure	Package Amount (pcs)	Package Amount (kg)	Order Code
Conduit 1/2" Control bend side cap 90°	1/2"	50	3,6	1034855
Conduit 3/4" Control bend side cap 90°	3/4"	25	2,2	1034856
Conduit 1" Control bend side cap 90°	1"	20	3,2	1034857



- Please indicate order code in your orders.
- Please contact us for special dimensions.
- Material weights may vary by ± 10%

■ All dimensions are given as in mm

- PG= Pre-Galvanized
- HDG= Hot Dip Galvanized

▶ 90° - Side Cover - Recorder - Screwed Elbow

Description	EMT Measure	Package Amount (pcs)	Pack. Weight (kg)	Order Code
Conduit 1/2" Control bend side cap bolted type 90°	1/2"	50	3,2	1034861
Conduit 3/4" Control bend side cap bolted type 90°	3/4"	40	4,2	1034862
Conduit 1" Control bend side cap bolted type 90°	1"	20	4,0	1034863



▶ Elbow Bolted Type

Description	EMT Measure	Package Amount (pcs)	Package Amount (kg)	Order Code
Conduit 1/2" Elbow bolted type	1/2"	100	3,4	1034858
Conduit 3/4" Elbow bolted type	3/4"	50	2,2	1034859
Conduit 1" Elbow bolted type	1"	50	3,0	1034860



▶ Clip-On Anchor Bolt

Description	EMT Measure	Weight (kg)	Order Code
EAE Clip-on Anchor M8	1/2"	0,030	1034869
EAE Clip-on Anchor M10	3/4"	0,070	1034870
EAE Clip-on Anchor M12	1"	0,120	1034871



M	L (mm)	ØD (mm)	H (mm)
M8	75	75	75
M10	90	90	90
M12	110	110	110



- Please indicate order code in your orders.
- Please contact us for special dimensions.
- Material weights may vary by ± 10%

■ All dimensions are given as in mm

- PG= Pre-Galvanized
- HDG= Hot Dip Galvanized


▶▶ **PROJECT DESIGN FORM**

Component List		Quantity
Item	Component	

Company: _____
 Project: _____
 Project No: _____

Name : _____
 Date : _____
 Signature : _____

Prepared by _____



Please duplicate this page for your own use.



INFO

CABLE SUPPORT SYSTEMS



INFO

Please visit our website for the updated version of our catalogues.
www.eaeelectric.com

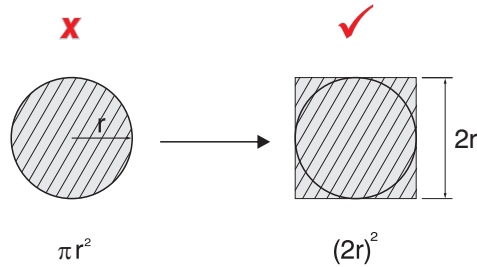


CONTENTS

▶▶ INFO

Cable Support Systems	2-6
Pre-galvanized, Hot Dip Galvanized	7
Corrosion Categories	8
Paint	9-11
NYY Cable Diameter and Weight Values	12
Directive	13
Certificate	14-15
Hanging Example	16
Universal Ladder Tray Systems & Universal Suspension Systems.....	17-30
Packaging.....	31

In practical application, cross section area of cables should be calculated according to the example below.



- 1- Please use $(2r)^2$ the formula instead of πr^2 for cross section.
- 2- Find the total cross section bu calculating all the cables.
- 3- Leave 20% reserve for additional cables.
- 4- Choose the correct transportation system from the table below.
- 5- When choosing please choose the figure rounded up from the cutaway sizes.

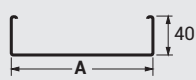
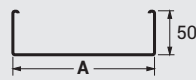
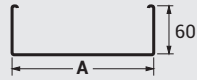
UKE/UKD/UKFG/UKFE/CTHF-E/CTN-E/CTE/CTK Cable Tray

		TRAY HEIGHT						
		40	50	60	75	100	125	150
TRAY WIDTH (mm)	50	2000	2500	-----	-----	-----	-----	-----
	100	4000	5000	6000	7500	10000	-----	-----
	150	6000	7500	9000	11250	15000	18750	-----
	200	8000	10000	12000	15000	20000	25000	30000
	250	10000	12500	15000	18750	25000	31250	37500
	300	12000	15000	18000	22500	30000	37500	45000
	400	16000	20000	24000	30000	40000	50000	60000
	500	20000	25000	30000	37500	50000	62750	75000
	600	24000	30000	36000	45000	60000	75000	90000

INFO

►► CABLE SUPPORT SYSTEMS

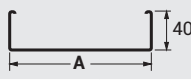
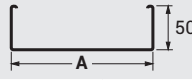
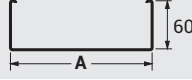
► Cable Layout Table (Support distance 1,5 m)

A	Values								
	Nominal Cross-section mm ²	Cable Outer mm	Weight (kg/m)	Quantity	Total Weight (kg/m)	Quantity	Total Weight (kg/m)	Quantity	Total Weight (kg/m)
50	4x1,5	13,0	0,250	8	2,000	12	3,000	12	3,000
	4x2,5	14,5	0,330	8	2,640	8	2,640	10	3,300
	4x4	16,5	0,435	6	2,610	6	2,610	9	3,915
	4x6	17,5	0,545	5	2,725	6	3,270	7	3,815
	4x10	19,5	0,745	3	2,235	3	2,235	5	3,725
	4x16	21,5	1,030	3	3,090	4	4,120	4	4,120
	4x25	27,5	1,610	1	1,610	2	3,220	2	3,220
	4x35	30,0	2,080	1	2,080	1	2,080	2	4,160
	4x50	33,0	2,690	1	2,690	1	2,690	1	2,690
100	4x1,5	13,0	0,250	21	5,250	28	7,000	33	8,250
	4x2,5	14,5	0,330	15	4,950	19	6,270	24	7,920
	4x4	16,5	0,435	12	5,220	18	7,830	19	8,265
	4x6	17,5	0,545	10	5,450	15	8,175	15	8,175
	4x10	19,5	0,745	9	6,705	9	6,705	14	10,430
	4x16	21,5	1,030	7	7,210	8	8,240	11	11,330
	4x25	27,5	1,610	3	4,830	5	8,050	6	9,660
	4x35	30,0	2,080	3	6,240	3	6,240	5	10,400
	4x50	33,0	2,690	2	5,380	3	8,070	3	8,070
150	4x1,5	13,0	0,250	32	8,000	42	10,500	48	12,000
	4x2,5	14,5	0,330	23	7,590	31	10,230	39	12,870
	4x4	16,5	0,435	16	6,960	24	10,440	27	11,745
	4x6	17,5	0,545	15	8,175	22	11,990	24	13,080
	4x10	19,5	0,745	14	10,430	15	11,175	21	15,645
	4x16	21,5	1,030	10	10,300	12	12,360	17	17,510
	4x25	27,5	1,610	5	8,050	5	8,050	9	14,490
	4x35	30,0	2,080	4	10,400	6	12,480	8	16,640
	4x50	33,0	2,690	4	10,760	4	10,760	6	16,140
200	4x1,5	13,0	0,250	44	11,000	58	14,500	65	16,250
	4x2,5	14,5	0,330	25	8,250	38	12,540	50	16,500
	4x4	16,5	0,435	23	10,005	33	14,355	33	14,355
	4x6	17,5	0,545	21	11,445	27	14,715	32	17,440
	4x10	19,5	0,745	19	14,155	22	16,390	29	21,605
	4x16	21,5	1,030	13	13,390	17	17,510	22	22,660
	4x25	27,5	1,610	7	11,270	10	16,100	13	20,930
	4x35	30,0	2,080	6	12,480	8	16,640	11	22,880
	4x50	33,0	2,690	5	13,450	6	16,140	9	24,210
250	4x1,5	13,0	0,250	53	13,250	74	18,500	83	20,750
	4x2,5	14,5	0,330	40	13,200	51	16,830	68	22,440
	4x4	16,5	0,435	29	12,615	44	19,140	47	20,445
	4x6	17,5	0,545	27	14,715	41	22,345	41	22,345
	4x10	19,5	0,745	23	17,135	27	20,115	35	26,075
	4x16	21,5	1,030	16	16,480	20	20,600	27	27,810
	4x25	27,5	1,610	9	14,490	13	20,930	17	27,370
	4x35	30,0	2,080	8	16,640	10	20,800	15	31,200
	4x50	33,0	2,690	7	18,830	7	18,830	11	29,590

INFO

►► CABLE SUPPORT SYSTEMS

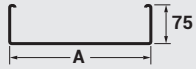
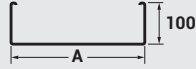
► Cable Layout Table (Support distance 1,5 m)

A	Values								
	Nominal Cross-section mm ²	Cable Outer mm	Weight (kg/m)	Quantity	Total Weight (kg/m)	Quantity	Total Weight (kg/m)	Quantity	Total Weight (kg/m)
300	4x1,5	13,0	0,250	65	16,250	86	21,500	97	24,250
	4x2,5	14,5	0,330	48	15,840	59	19,470	78	25,740
	4x4	16,5	0,435	36	15,660	53	23,055	58	25,230
	4x6	17,5	0,545	32	17,440	47	25,615	47	25,615
	4x10	19,5	0,745	29	21,605	32	23,840	44	32,780
	4x16	21,5	1,030	20	20,600	26	26,780	38	39,140
	4x25	27,5	1,610	10	16,100	14	22,540	20	32,200
	4x35	30,0	2,080	9	18,720	12	24,960	18	37,440
	4x50	33,0	2,690	8	21,520	8	21,520	13	34,970
400	4x1,5	13,0	0,250	89	22,250	118	29,500	130	32,500
	4x2,5	14,5	0,330	68	22,440	80	26,400	107	35,310
	4x4	16,5	0,435	47	20,445	71	30,885	71	30,885
	4x6	17,5	0,545	41	22,345	65	35,425	65	35,425
	4x10	19,5	0,745	40	29,800	46	34,270	59	43,955
	4x16	21,5	1,030	26	26,780	35	36,050	44	45,320
	4x25	27,5	1,610	14	22,540	19	30,590	28	45,080
	4x35	30,0	2,080	13	27,040	17	35,360	26	54,080
	4x50	33,0	2,690	11	29,590	11	29,590	18	48,420
500	4x1,5	13,0	0,250	113	28,250	113	28,250	163	40,750
	4x2,5	14,5	0,330	80	26,400	99	32,670	115	37,950
	4x4	16,5	0,435	57	24,795	87	37,845	93	40,455
	4x6	17,5	0,545	55	29,975	55	29,975	74	40,330
	4x10	19,5	0,745	49	36,505	49	36,505	44	32,780
	4x16	21,5	1,030	35	36,050	44	45,320	54	55,620
	4x25	27,5	1,610	18	28,980	26	41,860	32	51,520
	4x35	30,0	2,080	16	33,280	20	41,600	14	29,120
	4x50	33,0	2,690	14	37,660	14	37,660	22	59,180
600	4x1,5	13,0	0,250	134	33,500	178	44,500	196	49,000
	4x2,5	14,5	0,330	98	32,340	116	38,280	155	51,150
	4x4	16,5	0,435	72	31,320	105	45,675	108	46,980
	4x6	17,5	0,545	65	35,425	65	35,425	98	53,410
	4x10	19,5	0,745	58	43,210	58	43,210	88	65,560
	4x16	21,5	1,030	41	42,230	53	54,590	65	66,950
	4x25	27,5	1,610	21	33,810	31	49,910	42	67,620
	4x35	30,0	2,080	19	39,520	25	52,000	37	76,960
	4x50	33,0	2,690	17	45,730	17	45,730	27	72,630

INFO

►► CABLE SUPPORT SYSTEMS

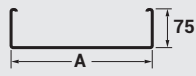
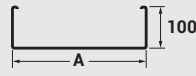
► Cable Layout Table (Support distance 1,5 m)

A	Values						
	Nominal Cross-section mm ²	Cable Outer mm	Weight (kg/m)	Quantity	Total Weight (kg/m)	Quantity	Total Weight (kg/m)
100	4x1,5	13,0	0,250	42	10,500	-	-
	4x2,5	14,5	0,330	30	9,900	-	-
	4x4	16,5	0,435	25	10,875	-	-
	4x6	17,5	0,545	20	10,900	-	-
	4x10	19,5	0,745	18	13,410	-	-
	4x16	21,5	1,030	12	12,360	-	-
	4x25	27,5	1,610	6	9,660	-	-
	4x35	30,0	2,080	6	12,480	-	-
4x50	33,0	2,690	5	13,450	-	-	
150	4x1,5	13,0	0,250	63	15,750	84	21,000
	4x2,5	14,5	0,330	48	15,840	67	22,110
	4x4	16,5	0,435	40	17,400	48	20,880
	4x6	17,5	0,545	32	17,440	48	26,160
	4x10	19,5	0,745	28	20,860	36	26,820
	4x16	21,5	1,030	19	19,570	30	30,900
	4x25	27,5	1,610	9	14,490	18	28,980
	4x35	30,0	2,080	8	16,640	14	29,120
4x50	33,0	2,690	8	21,520	11	29,590	
200	4x1,5	13,0	0,250	87	21,750	116	29,000
	4x2,5	14,5	0,330	65	21,450	91	30,030
	4x4	16,5	0,435	55	23,925	66	28,710
	4x6	17,5	0,545	42	22,890	63	34,335
	4x10	19,5	0,745	40	29,800	60	44,700
	4x16	21,5	1,030	26	26,780	43	44,290
	4x25	27,5	1,610	13	20,930	26	41,860
	4x35	30,0	2,080	12	24,960	18	37,440
4x50	33,0	2,690	11	29,590	17	45,730	
250	4x1,5	13,0	0,250	111	27,750	148	37,000
	4x2,5	14,5	0,330	83	27,390	117	38,610
	4x4	16,5	0,435	73	31,755	87	37,845
	4x6	17,5	0,545	56	30,520	81	44,145
	4x10	19,5	0,745	42	31,290	67	49,915
	4x16	21,5	1,030	33	33,990	55	56,650
	4x25	27,5	1,610	17	27,370	34	54,740
	4x35	30,0	2,080	15	31,200	23	47,840
4x50	33,0	2,690	14	37,660	21	56,490	

INFO

►► CABLE SUPPORT SYSTEMS

► Cable Layout Table (Support distance 1,5 m)

A	Values						
	Nominal Cross-section mm ²	Cable Outer mm	Weight (kg/m)	Quantity	Total Weight (kg/m)	Quantity	Total Weight (kg/m)
300	4x1,5	13,0	0,250	132	33,000	176	44,000
	4x2,5	14,5	0,330	100	33,000	140	46,200
	4x4	16,5	0,435	87	37,845	94	40,890
	4x6	17,5	0,545	66	35,970	99	53,955
	4x10	19,5	0,745	62	46,190	91	67,795
	4x16	21,5	1,030	39	40,170	65	66,950
	4x25	27,5	1,610	24	38,640	36	57,960
	4x35	30,0	2,080	18	37,440	29	60,320
	4x50	33,0	2,690	17	45,730	26	69,940
400	4x1,5	13,0	0,250	150	37,500	210	52,500
	4x2,5	14,5	0,330	133	43,890	186	61,380
	4x4	16,5	0,435	118	51,330	141	61,335
	4x6	17,5	0,545	88	47,960	132	71,940
	4x10	19,5	0,745	82	61,090	112	83,440
	4x16	21,5	1,030	54	55,620	90	92,700
	4x25	27,5	1,610	32	51,520	56	90,160
	4x35	30,0	2,080	25	52,000	38	79,040
	4x50	33,0	2,690	23	61,870	35	94,150
500	4x1,5	13,0	0,250	225	56,250	300	75,000
	4x2,5	14,5	0,330	168	55,440	235	77,550
	4x4	16,5	0,435	118	51,330	177	76,995
	4x6	17,5	0,545	112	61,040	168	91,560
	4x10	19,5	0,745	102	75,990	156	116,220
	4x16	21,5	1,030	68	70,040	113	116,390
	4x25	27,5	1,610	53	85,330	70	112,700
	4x35	30,0	2,080	32	66,560	48	99,840
	4x50	33,0	2,690	29	78,010	44	118,360
600	4x1,5	13,0	0,250	270	67,500	360	90,000
	4x2,5	14,5	0,330	203	66,990	284	93,720
	4x4	16,5	0,435	178	77,430	213	92,655
	4x6	17,5	0,545	134	73,030	201	109,545
	4x10	19,5	0,745	126	93,870	158	117,710
	4x16	21,5	1,030	81	83,430	135	139,050
	4x25	27,5	1,610	53	85,330	84	135,240
	4x35	30,0	2,080	38	79,040	57	118,560
	4x50	33,0	2,690	36	96,840	54	145,260

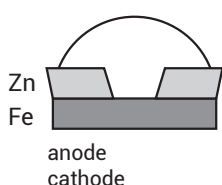
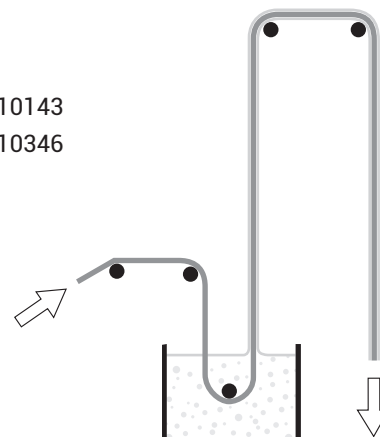
INFO

►►PRE-GALVANIZED

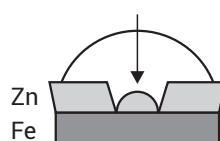
(Material that has been through the hot dip procedure before production.)

Sheet metal manufacturers plate sheet rolls in continuous hot dip galvanizing baths. Plating thickness by this process will reach up to minimum 7-14 μm . Material plated by the pre-galvanizing method will be protected against corrosion on cut surfaces due to the cathodic effect between the zinc and the steel elements. (It is valid and effective up to 2mm thickness).

TS EN 10143
TS EN 10346



Zinc salts will prevent corrosion till no zinc will remain at all.



►►Hot Dip Galvanization After Fabrication

This method is the process of plating plain steel materials by dipping into molten zinc melt after fabrication. Plating thickness by this process will reach up to a minimum of 45 μm .

TS EN ISO 1461



Corrosion of zinc plated and unprotected steel in atmosphere.

Atmosphere Types	Erosion of zinc coating ($\mu\text{/year}$)	Erosion of unprotected steel ($\mu\text{/year}$)
Open field	1,0- 3,4	6- 60
Sea side	2,4- 15,0	20-170
City	1,0- 6,0	30- 70
Industry	3,8- 19,0	30- 160
Tropical climate	1,0- 9,7	1- 70

Corrosion category	Typical indoor ambient	Typical outdoor ambient	Corrosion load	Average zinc layer	Suitable coating type
C 1	Buildings with fresh air and air conditioning such as Offices, Department Stores, Schools, Hotels	-	Very Low	<0,1 µm/year	TS EN 10346 TS EN 10143 PREGALVANIZED
C 2	Unheated buildings where condensation may happen, for example: Warehouses, fitness centres	Environments where less pollution exists.	Low	0,1 - 0,7 µm/year	TS EN10346 TS EN 10143 PREGALVANIZED
C 3	Environments where high humidity levels and partial air pollution exist	Metropolitan and industrial environments, moderately polluted areas due to sulphur dioxide, sea-side resorts with low salt concentration.	Mild	0,7 - 2,1 µm/years	TS EN ISO 1461 HOT-DIP
C 4	Chemical facilities, swimming pools, facilities over the sea.	Industrial zones and zones with low salt concentration.	Strong	2,1 - 4,2 µm/years	TS EN ISO 1461 HOT-DIP
C 5	Buildings or zones where continuous condensation and strong pollution is possible.	Industrial zones where high humidity and an aggressive environment is possible.	Very Strong	4,2 - 8,4 µm/years	Duplex (Hot -Dip + Electrostatic Powder Paint Coating) or 316L-Stainless
C 6	Buildings or zones where continuous condensation occurs and strong pollution is probable.	Sea shores with a high salt concentration or open sea environments.	Extremely Strong	>4,2 - 8,4 µm/years	Duplex (Hot -Dip + Electrostatic Powder Paint Coating) or 316L-Stainless

Epoxy Paint;

- Resistance against chemical substances is very high.
- Resistance against corrosion is excellent.
- Surface hardness is high.
- It is not suitable for exterior application since, it has no UV resistance and durability, it becomes chalky.
- Yellowing in colour may occur over time.
- Matt paints in different brightness and properties can be easily formulated.

Epoxy / Polyester Paint;

- Resistance against exterior effects is limited.
- Yellowing in colour may occur over time.
- If there is no excessive corrosive medium or chemical effect, it is suitable to be applied inside interior locations.
- It is difficult to obtain fully matt paint.
- Mechanical properties are suitable for daily application such as impact, flexibility and scratching.

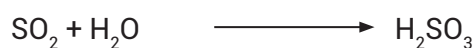
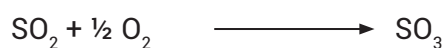
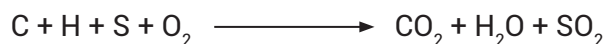
Polyester Paint;

- UV resistance is very good, it provides excellent resistance and durability under exterior conditions.
- It will not become yellowish and discolour.
- Mechanical properties are very good. (such as impact, flexibility etc.)

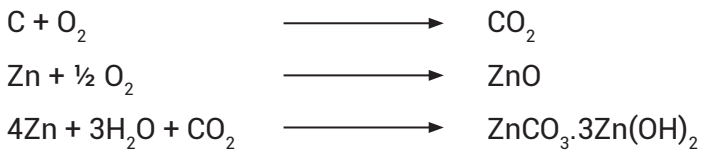


▶▶Protection of Galvanized Sheet Metal during the Period of Stockpiling

By the virtue of its composition, the galvanized sheet metal is known to be particularly sensitive against the effects of materials of acidic character, polluted air, water and relative humidity present above a certain rate. The service life of galvanized sheet metal is shorter in the industrial areas where the air is densely polluted. The most important element of atmospheric air pollution is sulphur dioxide.



The sulphurous and sulphuric acid forming at various rates reacts with the zinc and causes corrosion in the layer of galvanization. Decreasing the rate of atmospheric pollution or reducing it to zero will not be possible on an individual basis. To prevent the likely corrosion of the galvanized layer due to air pollution in stockpiling will be possible only by stockpiling the galvanized sheet metal in well protected warehouses. The matter causing the greatest concern regarding galvanized sheet steel are the white coloured spots called white rust, which develop on the surface of sheet metal during the course of stockpiling. Its development, however, can be minimized, even completely eliminated, by taking proper measures. The white rust is the result of a chemical reaction between zinc and the carbon dioxide, oxygen and water or moisture in the air.



The white rust phenomenon occurs during the stockpiling of galvanized sheet metal as a result of combined action of above-stated parameters and mostly in the case of stock-piled sheet metal. As the air with a high rate of moisture will be trapped between the pieces of stocked sheet metal, any differences in temperature will cause the trapped air to reach the dew point, leading to formation of droplets of water on the surfaces of sheet metal pieces. As a result, the oxygen dissolved in water will react with Zn to produce zinc hydroxide while the carbon dioxide present in the air will react with zinc to produce zinc carbonate. The combined result of these two reactions will lead to the development of zinc carbonate zinc hydroxide, called white rust.

In order to protect the stacked sheet metal against the effects of white rust for a certain period of time, although not for long, the pieces of sheet metal are subjected to a process named passivation. During this process, a protective film is produced on the surface of galvanized sheet metal through a chemical reaction. That protective film will protect the galvanized sheet metal against the formation of white rust for a certain period of time. In order to ensure said protection, however, the following conditions must be strictly observed.

- Stacked sheet metal must never be allowed to come in contact with water.
- There must be sufficient space provided for continuous circulation of air in the place where they are stacked.
- There must be sufficient space provided for proper circulation of air between the stacks of sheet metal. (min 300mm between the two stacks).
- The temperature differences in the places of stockpiling must be small. (between 5-10°C).
- The relative humidity in the places of stockpiling must not exceed 70%.
- The sheet metal must not be stockpiled in places where there is air pollution.
- Where the stacked sheet metal is to be stockpiled for long periods of time, each piece of sheet metal must be examined periodically, and any droplets of water likely to be formed on the surfaces of sheet metal must be wiped off and the surfaces must be dried.
- The stacks must be placed, without fail, on wooden palettes or props as to prevent the sheet metal to come in contact with the floor. When the above conditions are fulfilled, it will be possible to ensure proper circulation of air in the place of stockpiling, thereby ensuring the formation of white rust at a reduced level.

In the event that galvanized metallic products are cut and used in construction sites, the protective coating layer of the cut-off sections are damaged, and as a result, the material's strength against the corrosion is compromised. In order to avoid such a compromise and to improve the service life of the material, EAE recommends to apply ZINGA paint to cut-off sections.

ZINGA SPECIFICATIONS

- It contains 99.995% zinc as specified in ISO 3549 standard. The remaining part is composed of synthetic resin, pigments and solvents. The ZINGA layer which dries after its application to the surface contains 96% zinc in approximate.
- It protects the applied surfaces by way of two methods: Active and passive protection. The cathodic protection provided by it thanks to its high zinc content is called active protection. Zinc salts and zinc carbonates that are formed as a barrier following the application are called as passive protection.
- Its mechanical strength is high.
- It may be easily applied to locally corroded areas.
- It may be applied at such humidity values up to 95%.
- It may be easily applied by means of a brush or a roller.
- Dry ZINGA layer is not toxic.

Constituents	Zinc powder (produced by means of atomization process) Aromatic hydrocarbons binder and others
Density	2,67 kg/dm ³ (+-0,06 kg/dm ³)
Quantity of solids	80 %by weight - 58% by volume
Thinner type	Zingasolv



APPLICATION DIRECTIONS

- Surface cracks that occur after the application of cut-off process will be ground.
- Ground surfaces are wiped off by means of a piece of cloth to ensure that there remains no dust and dirt.
- In order to ensure a homogenous distribution of the mixture in Zinga, the mixer apparatus will be dipped into the box by means of a drill, and the mixture operation continues until no solid particle remains at the bottom of the box.
- After Zinga reaches desired homogeneity, it will be applied to the cut-off surface with the help of a brush that is immune to the solvent and whose bristles are not nylon.
- A double-layer Zinga will be applied to reach nearly 80-100 micron coating thickness. The first layer must be strictly applied with the brush and nearly two hours should pass after the application. Then the second layer should be applied. During the application of the second layer, a roller should be used instead of the brush to obtain a smoother surface.

Nominal Cross-Section mm ²	Cable Outer Diameter mm	Net Weight (kg/m)
1x4	9,0	0,125
1x6	9,5	0,150
1x10	10,5	0,200
1x16	11,5	0,265
1x25	13,5	0,385
1x35	14,5	0,490
1x50	15,0	0,610
1x70	16,7	0,820
1x95	18,5	1,090
1x120	20,0	1,340
1x150	22,0	1,610
1x185	24,1	2,000
1x240	27,5	2,630
2x1,5	12,0	0,195
2x2,5	13,0	0,250
2x4	14,5	0,320
2x6	15,5	0,385
2x10	17,0	0,510
2x16	19,0	0,675
2x25	23,5	1,040
2x35	25,5	1,320
2x50	28,0	1,680
2x70	31,5	2,225
2x95	36,0	3,000
2x120	39,0	3,660
2x150	42,5	4,440
2x185	47,5	5,510
2x240	54,0	7,210
3x1,5	12,5	0,220
3x2,5	13,5	0,285
3x4	15,0	0,370
3x6	16,0	0,455
3x10	18,0	0,615
3x16	20,0	0,835
3x25	24,5	1,290
3x35	27,5	1,680
3x50	30,0	2,130
3x70	33,5	2,880
3x95	38,5	3,890
3x120	41,5	4,730
3x150	46,0	5,810

Nominal Cross-Section mm ²	Cable Outer Diameter mm	Net Weight (kg/m)
3x185	51,5	7,250
3x240	58,0	9,430
3x16/10	21,0	0,955
3x25/16	26,0	1,460
3x35/16	28,5	1,830
3x50/25	31,5	2,410
3x70/35	35,5	3,270
3x95/50	40,5	4,380
3x120/70	44,5	5,490
3x150/70	48,0	6,470
3x185/95	54,0	8,190
3x240/120	61,5	10,680
4x1,5	13,0	0,250
4x2,5	14,5	0,330
4x4	16,5	0,435
4x6	17,5	0,545
4x10	19,5	0,745
4x16	21,5	1,030
4x25	27,5	1,610
4x35	30,0	2,080
4x50	33,0	2,690
5x1,5	14,0	0,290
7x1,5	15,0	0,345
10x1,5	18,0	0,465
12x1,5	18,5	0,515
14x1,5	19,0	0,570
19x1,5	21,0	0,705
21x1,5	22,0	0,770
24x1,5	24,0	0,870
30x1,5	25,5	1,040
40x1,5	28,0	1,300
5x2,5	15,5	0,385
7x2,5	16,5	0,460
10x2,5	20,0	0,635
12x2,5	21,0	0,710
14x2,5	21,5	0,805
19x2,5	24,0	0,990
21x2,5	25,5	1,110
24x2,5	28,0	1,260
30x2,5	29,5	1,490
40x2,5	33,0	1,910

CE DECLARATION OF CONFORMITY

Product Group Cable Trays, Cable Ladders and Accessories

Manufacturer EAE Elektrik Asansor End. Insaat San. ve Tic. A.S.
Akcaburgaz Mahallesi, 3114. Sokak,
No:10 34522 Esenyurt-Istanbul

This is to attest, under our sole responsibility, that the aforementioned products conforms with the following regulations and standards.

Standard :

TS EN 61537

"Cable Tray Systems and Cable Ladder Systems"

CE- Directive:

2014/35/EU "Electrical equipment designed for use within certain voltage limits"

Technical Document Preparation Official:

EAE Elektrik Asansor End. Insaat San. ve Tic. A.S.
Akcaburgaz Mahallesi, 3114. Sokak, No:10 34522 Esenyurt-Istanbul

Mustafa AKÇELİK

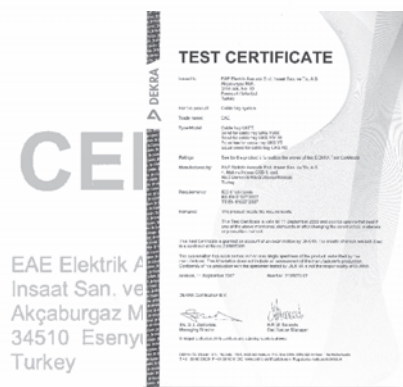
Date:

13.08.2024

Document Signing Authority

Elif Gamze KAYA OK
Assistant General Manager





For the product:

Low-voltage busbar trunking system

EAE
 KXA06

Ui 1000 V, U_{nc} 1000 V, I_{nc} 25 kA - 1 s
 for more details

EAE Elektrik Insaat San. ve Akçaburgaz M. 34510 Esenyurt Turkey

Design verification

IEC 61439-6:2017
 Clauses: 10.2, 10.3, 10.4, 10.5, 10.6, 10.7, 10.8, 10.9, 10.10, 10.11, 10.12, 10.13, 10.14, 10.15, 10.16, 10.17, 10.18, 10.19, 10.20, 10.21, 10.22, 10.23, 10.24, 10.25, 10.26, 10.27, 10.28, 10.29, 10.30, 10.31, 10.32, 10.33, 10.34, 10.35, 10.36, 10.37, 10.38, 10.39, 10.40, 10.41, 10.42, 10.43, 10.44, 10.45, 10.46, 10.47, 10.48, 10.49, 10.50, 10.51, 10.52, 10.53, 10.54, 10.55, 10.56, 10.57, 10.58, 10.59, 10.60, 10.61, 10.62, 10.63, 10.64, 10.65, 10.66, 10.67, 10.68, 10.69, 10.70, 10.71, 10.72, 10.73, 10.74, 10.75, 10.76, 10.77, 10.78, 10.79, 10.80, 10.81, 10.82, 10.83, 10.84, 10.85, 10.86, 10.87, 10.88, 10.89, 10.90, 10.91, 10.92, 10.93, 10.94, 10.95, 10.96, 10.97, 10.98, 10.99, 10.100

Busbar trunking system

is granted on accordance with IEC 61439-6:2017, 9.01-INC, 12 No

has been carried out and the attestation does not contradict the production with the certificate number 10313

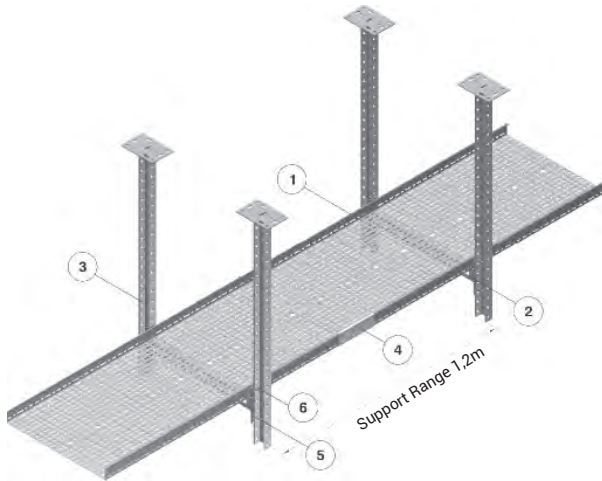
This certificate and

Meander 1051, 68100
 1 88 96 83100 www.eaelectric.com

2 ED Arnhem, The Netherlands
 registration 09085391

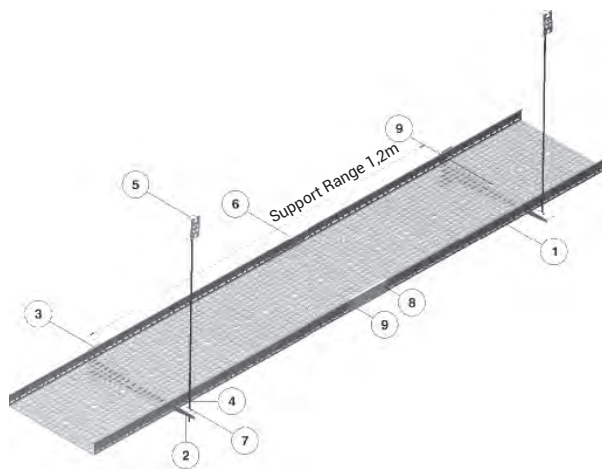
INFO

►► Hanging Example



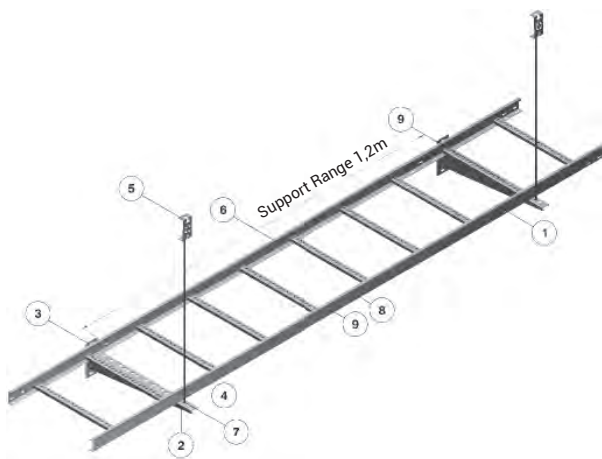
ORDER NO.	Description	Order Code	Quantity
1	60 KMA 600	3000109	1
2	UDYB 600	3007992	2
3	UDD 600	3008000	4
4	JOINT FITTING	3008595	2
5	M10 BOLT	1000565	8
6	M10 BOLT NUT	1000522	8

GAPS BETWEEN TRAYS 1,2 m



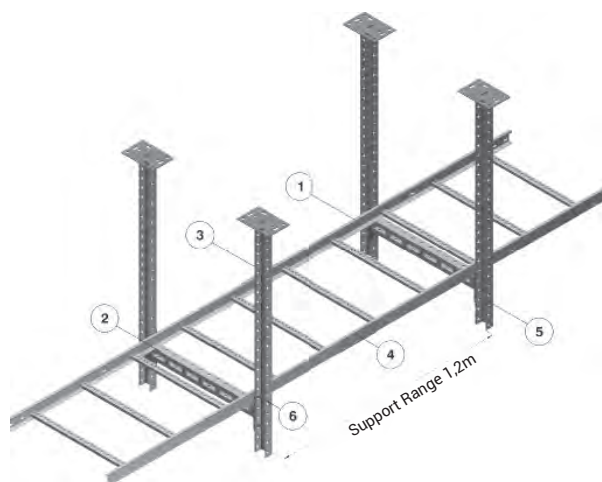
ORDER NO.	Description	Order Code	Quantity
1	60 CTA 500	3000109	1
2	STS CONSOLE	2000802	2
3	STS HEAD	2000244	2
4	M10 ROD	5000032	2
5	"U" CEILING MOUNTING FITTING	3000001	2
6	JOINT FITTING	3008595	2
7	M10 BOLT NUT	1000522	12
8	M6 BOLT	1000285	8
9	M6 BOLT NUT	1000520	8

GAPS BETWEEN TRAYS 1,2 m



ORDER NO.	Description	Order Code	Quantity
1	60 KMA 500	3001572	1
2	STS CONSOLE	2000802	2
3	STS HEAD	2000244	2
4	M10 ROD	5000032	2
5	"U" CEILING MOUNTING FITTING	3000001	2
6	JOINT FITTING	3008595	2
7	M10 BOLT NUT	1000522	12
8	M6 BOLT	1000285	8
9	M6 BOLT NUT	1000520	8

GAPS BETWEEN TRAYS 1,2 m



ORDER NO.	Description	Order Code	Quantity
1	60 KMA 600	3000109	1
2	UDYB 600	3007992	2
3	UDD 600	3008000	4
4	JOINT FITTING	3008595	2
5	M10 BOLT NUT	1000565	8
6	M6 BOLT	1000522	8

GAPS BETWEEN TRAYS 1,2 m

32% of all fires in the world every year are still attributable to electric contacts. Moreover this ratio continues to rise instead of an anticipated decline in parallel with the technological progress. It is obvious that it is not possible to fully avoid fires; but it is possible by taking certain safety measures to gain some vitally important time to ensure the safe evacuation of people!

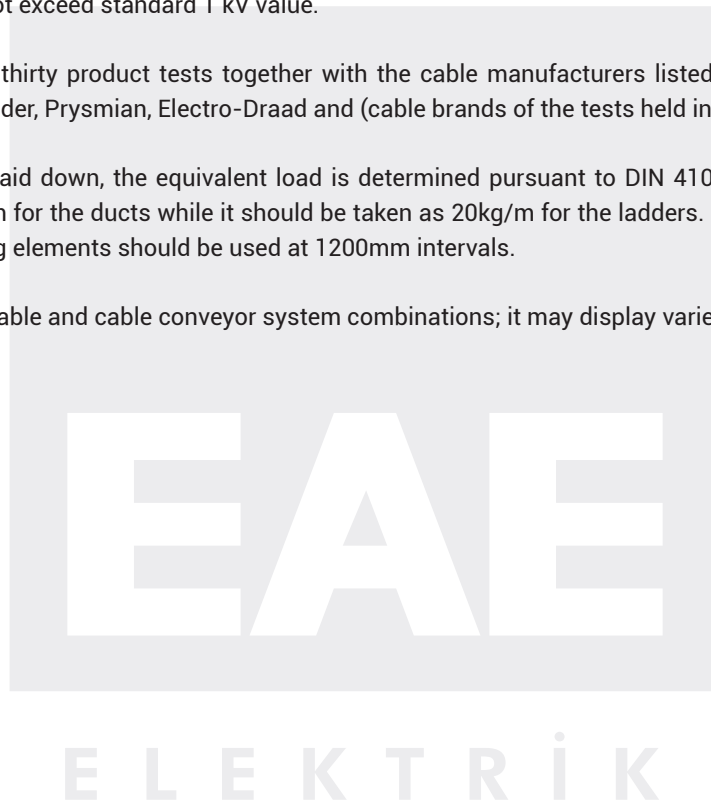
E30-E90 Fire Resistance Standard is the international criteria that allows the operation of functions which is required to gain this time. Its basic purpose is to ensure that certain systems that are vitally important for people during a fire, including emergency lighting, elevator or public address systems will remain operational and functional. Considering the fact that cabling for the said systems is over the cable conveyor systems, it will be more clearly understood how important these conveyor systems are in order to ensure the continuity of this functionality.

The test will take place in a special test furnace which can be heated based on the standard temperature and time curve. Cable systems are rated E30-E90 based on the level by which they maintain their functionality and they are mandatory in low voltage facilities that do not exceed standard 1 kV value.

EAE organized more than thirty product tests together with the cable manufacturers listed below. These brands include: Dätwyler, Eupen, Faber, Studer, Prysmian, Electro-Draad and (cable brands of the tests held in Russia).

While a duct or ladder is laid down, the equivalent load is determined pursuant to DIN 4102-12 / 7.3.2.4. Maximum load should be taken as 10kg/m for the ducts while it should be taken as 20kg/m for the ladders. While cables are laid down in a duct or ladder, duct bearing elements should be used at 1200mm intervals.

The test is applicable for cable and cable conveyor system combinations; it may display varieties for static structure.



1. In the specified locations in the project, perforated sheet metal should be used for the horizontal distribution of cables. The Universal Cable Trays of heavy-duty character should be used, with the edges curved inward in a circular manner, approximately 10mm in diameter, extending towards the outside.
2. Universal Cable Trays with a width of up to 100-200-300mm should have a sheet thickness of 0.7mm, and those with a width of 300-400-500-600mm should have a thickness of 0.9mm, made of galvanized sheet metal. The vertical edge height of the cable tray should be 40mm in all trays. However, depending on the cable cross-section and density, the edge height may be 50-60-75-100mm as needed. Products with edge heights of 75mm and 100mm are equipped with pass-through covers.
3. Sheet Cable trays should be produced in equal-length units, and their lengths should not be less than 3 meters.
4. Holes should be drilled along the edges and inside Universal Cable trays to ensure ventilation. Hole dimensions should be 7x26mm along the edge heights, longitudinal 7x28mm on the tray base surface, transverse 7x57mm slot holes, internal 11mm diameter holes, and 25mm diameter elbow holes. These holes should be punched with a minimum of 3mm for tray strength.
5. Galvanized sheet metal in compliance with TS EN 10346-TS EN 10143 standards should be used in the production of UKFE Cable Carriers. High-quality iron-based sheet material must comply with TS EN 10346-TS EN 10143 standards and be zinc-coated using the hot-dip method. Subsequently, Universal Cable Trays and accessories should be manufactured from galvanized sheet metal.
6. If requested, after this production, epoxy polyester electrostatic powder coating with RAL code should be applied. After the painting process, it should be baked at 180°C. The paint thickness should be a minimum of 50 µm. Painted trays and accessories should be packaged for protection. The length of galvanized and painted trays should be L=3000mm. (During assembly, in case of cutting cable trays, etc., the cut areas should be coated with electrostatic powder paint (in an oily paint consistency) using cellulose thinner and brushed. Allow 2 hours for drying.)
7. Where the height of Universal Cable Tray changes, LEVEL ADAPTATION MODULE or level change attachments should be used.
8. In places where the Cable Tray changes direction (as needed), 90° horizontal turn element, horizontal (T) connection element, (+) quadruple turn element, concave and convex turn elements should be used. These elements should not have sharp corners.
9. In vertical descents and ascents, panel cable connections, socket group, etc. connections: Vertical (T) descent element - Vertical (T) Middle Descent/Exit element should be used.
10. The connection of Cable Trays to each other should be made with Connection Elements. Each length is 3m. 2 pcs of connection elements should be used every three meters. The assembly of all turn elements is done by passing through the trays (no need for a connection element). The bolt holes should be suitable for the M6 connection bolt set. M6x12 domeheaded lockable bolts and flanged nuts should be used.
11. Due to cable density, connections of trays used in different widths will be made with Reduction Modules.
12. For connection assembly, lacquered, metric system-compatible (M6 Connection Bolt set) bolts, nuts, etc. should be used.
13. In all turn modules and reduction modules connections (H=40mm), 4 pcs, (H=60mm-75mm-100mm), 8 pcs of M6x12 Connection Bolt nut set should be used.
14. Cable trays should not be walked on or used as a walking path.

1. In the locations specified in the project, heavy-duty Universal Cable Carriers made of perforated sheet metal (with edges curved inward in a circular manner, approximately 10mm in outer diameter) should be used for the horizontal distribution of cables.
2. Universal Cable Trays with widths up to 50-100-150-200mm should be made of galvanized sheet metal with thicknesses of 0.8-1mm; those up to 300mm in width should be 1.2mm, and those with widths of 300-400-500-600mm should be made of 1.5-2mm thick galvanized sheet metal. The vertical edge height of cable carrier trays is 40mm-50mm-60mm-75mm-100mm.
3. Sheet Cable Trays should be produced in equal-length units and should not have lengths less than 3 meters. However, upon request, they should also be produced in continuous lengths of 4-5 and 6 meters. Additionally, upon demand, sheet cable trays should be produced without perforations, with holes only at the joints.
4. Holes should be opened along the entire length of Universal cable trays, including edges, to provide ventilation. Hole dimensions should be 8 x 23.8 x 30, 8 x 35, and a diameter of 11. Holes with a spacing of 166mm and a diameter of 20.5mm should be present in the middle of the tray for couplings.
5. Galvanized sheet metal in compliance with TS EN 10346-TS EN 10143 standards should be used in the manufacture of cable carriers. High-quality iron-based sheet material must comply with TS EN 10346-TS EN 10143 standards and be zinc-coated using the hot-dip method. Subsequently, Universal Cable Trays and accessories should be manufactured from galvanized sheet metal.
6. Upon request, following this manufacturing, epoxy polyester with an RAL code should be applied. After the painting process, it should be baked at 180° degrees. The paint thickness should be a minimum of 50 µm. Painted trays and accessories should be packaged for protection. The length of galvanized painted trays should be L=3000mm. In case of cutting during assembly, a cellulose thinner-diluted electrostatic powder paint (oil paint consistency) should be applied to the cut areas with a brush, and a 2-hour drying period should be observed.
7. LEVEL ADAPTATION MODULE or level-changing attachments should be used where Universal Cable Trays change in height.
8. In places where the cable tray changes direction (if necessary), a 90° horizontal turn element; horizontal (T) connection element; (+) Quadruple turn element, concave turn, and convex turn elements should be used. The use of these elements should avoid sharp corners.
9. In vertical descent/ascent points, panel cable connections, socket group, etc. connections: Vertical (T) wall descent element, vertical (T) middle descent/ascent element should be used.
10. Connections between cable trays should be made with Connection Elements. Each length is 3m, and 2 pcs of connection elements will be used every three meters. The assembly of all turn elements is done by passing through the trays (no need for connection elements). Bolt holes should be suitable for M6 additional bolt sets. M6x12 - dome-headed lockable bolt and flanged nut set should be used.
11. Due to cable density, connections of trays of different widths will be made using Reduction Modules.
12. For connection assembly, lacquer-coated, metric system-compatible (M6 additional bolt set) bolts and nuts, etc., will be used.
13. In all turn module and reduction module connections (H=40mm), 4 pcs; (H=50mm), 4 pcs; (H=60mm), 4 pcs; (H=75mm), 8 pcs; (H=100mm), 8 pcs of M6x12 additional bolt nut sets should be used.
14. Cable trays should not be walked on or used as a walkway.

1. In the designated areas of the project, perforated sheet metal should be used for the horizontal distribution of cables, and universal cable trays of normal service character must be employed.
2. Universal cable trays with widths up to 50-100-150-200mm should be made of galvanized sheet metal with a thickness of 0.8-1 mm; those with widths up to 300mm should have a thickness of 1.2mm, and those with widths up to 300-400-500-600mm should be made of 1.5-2mm thick galvanized sheet metal. The vertical edge height of cable carrier trays is 40mm-50mm-60mm-75mm-100mm.
3. Sheet cable trays should be produced in equal-length units, with lengths not less than 3 meters. However, when desired, they can be produced in continuous lengths of 4-5 and 6 meters. Additionally, upon request, carrier sheet cable trays should be produced without perforations, with holes only at the joints in seamless production.
4. All along the universal cable trays, holes should be drilled for ventilation, with hole dimensions of 8 x 23.8 x 30, 8 x 35, and a diameter of 11. In the middle of the tray, holes with a diameter of 20.5mm at intervals of 166mm should be present for couplings.
5. In the manufacture of cable trays, galvanized sheet metal in compliance with TS EN 10346-TS EN 10143 standards should be used. High-quality iron-based sheet material must comply with TS EN 10346-TS EN 10143 standards and be zinc-coated by the hot-dip method. Subsequently, universal cable trays and accessories should be manufactured from galvanized sheet metal.
6. Upon request, following this production, epoxy polyester with an RAL code should be applied. After the painting process, it should be baked at 180° degrees. The paint thickness should be a minimum of 50 µm. Painted trays and accessories should be packaged for protection. The length of painted trays over galvanized surfaces should be L=3000mm. (During installation, if there is a need to cut the cable channel, it should be painted with electrostatic powder paint thinned with cellulose thinner (in an oily paint consistency), brushed onto the cut areas, and allowed to dry for 2 hours).
7. In places where the height of universal cable tray changes, LEVEL ADAPTATION MODULES or level-changing attachments should be used.
8. Where the tray changes direction (as needed): 90° horizontal turn element; horizontal (T) connection element; (+) quadruple turn element; concave and convex turn elements should be used. These elements' usage areas should not have sharp angles.
9. In vertical descents/ascent, panel cable connections, socket group, etc., use vertical (T) wall descent element and vertical (T) middle descent/exit element.
10. Connections between trays should be made with connection elements. Each length is 3 meters, and 2 pcs of connection elements will be used every three meters. The installation of all turning elements is done by passing through the trays (no need for connection elements). Bolt holes should be suitable for M6 connection bolt set. M6x12 - domeheaded lockable bolt and flanged nut assembly should be used.
11. Due to cable density, connections between channels of different widths will be made with reduction modules.
12. For connection assembly, use lacquered, metric system-compliant (M6 connection bolt set) bolts and nuts, etc.
13. For all turning modules and reduction modules connections (H=40mm), use 4 pcs; (H=50mm), use 4 pcs; (H=60mm), use 4 pcs; (H=75mm), use 8 pcs; (H=100mm), use 8 pcs, M6x12 connection bolt nut set.
14. Cable trays should not be walked on or used as a walkway.

1. UKFG cable trays should be manufactured with a length of 3050mm and should overlap by 50mm during assembly. They can be assembled with a self-locking system. The base holes on UKFG cable trays should have a reinforcing shape for increased strength. The use of additional elements is not necessary, but it should be optionally compatible with external additional elements. For grounding, M6 x 12 dome-headed lockable bolts and flanged nut sets should be used.
2. In the designated areas of the project, for the horizontal distribution of cables, universal cable trays of heavy-duty character (with edges inwardly circularly curved, approximately 10mm in diameter outward) should be used.
3. Universal cable trays with widths up to 100-200-300mm should be made of galvanized sheet metal with a thickness of 0.7mm; those with widths up to 300-400-500-600mm should have a thickness of 0.9mm. The vertical edge height of cable trays should be 40mm for all trays. However, depending on the cable cross-section and density, the edge height can be 50-60-75-100mm as needed. Products with edge heights of 75mm and 100mm have passing cover features.
4. Sheet cable trays should be produced in equal-length units, with lengths not less than 3050mm.
5. To ensure ventilation, holes should be drilled throughout the entire length of the universal cable trays. Hole dimensions should be 7x26mm on the edge heights, 7x28mm longitudinally on the base surface of the tray, 7x57mm transversely slot holes, diameter 11 holes, and diameter 25mm coupler holes on the inside. These holes should be minimally 3mm shaped to enhance the trays strength.
6. In the manufacturing of UKFG cable trays, galvanized sheet metal compliant with TS EN 10346-TS EN 10143 standards should be used.
7. In places where the height of universal cable trays changes, LEVEL ADAPTATION MODULEs or level-changing attachments should be used.
8. Where the tray changes direction (as needed): 90° horizontal turn element; horizontal (T) connection element; (+) quadruple turn element; concave and convex turn elements should be used. The usage area of these elements should not have sharp angles.
9. In vertical descents/ascent, panel cable connections, socket group, etc., use vertical (T) wall descent element and vertical (T) middle descent/exit element.
10. Due to cable density, connections between trays of different widths will be made with Reduction Modules.
11. For connection assembly, use lacquered, metric system-compliant (M6 connection bolt set) bolts and nuts, etc.

1. It is used for the horizontal and vertical distribution of cables at the specified location in the project.
2. The reinforcing curve at the upper part of the cable ladder edges should be 10mm, and the reinforcing curve at the lower part should be 23mm.
3. Hole dimensions opened for creating joints in cable ladder edges will be 7x20.
4. Cable ladder crossbars will be riveted to the edges at intervals of 300mm.
5. Side wall sheets of the cable ladder should be reinforced by shaping along the length of the wall sheet.
6. The number of side wall forms should be one for 40-50-60mm side wall heights, two for 75-100mm side wall heights, and three for 125-150mm side wall heights. Cable ladders should be produced in equal lengths with a length of 3m. Optionally, they should be produced in 6m lengths.
7. The cable ladder should only be foldable in one direction.
8. Cable ladder crossbars should be produced as C. The C crossbar should be 10mm in height, 27mm in width, and with dimensions of 7x15 at 25mm intervals.
9. Cable ladder manufacturing should comply with TS EN 61537 standards. The galvanized thickness should be 7-14 µm.
10. In the manufacture of ladder trays, sheets compliant with TS EN 10346 - TS EN 10143 standards should be used. High quality iron-based sheet material must comply with TS EN 10346 - TS EN 10143 standards and be zinc-coated by the hotdip method. Subsequently, ladder trays and accessories should be manufactured from galvanized sheet metal.
11. Level Adaptation Modules or level-changing attachments should be used where the height of the cable ladder changes.
12. The connections between cable ladders should be made with two pcs of additional elements. The installation of all turning elements into the trays should be done with additional elements.
13. Where the cable ladder changes direction; 90° horizontal turn element, horizontal (T) connection element, quadruple turn element should be used.
14. Due to cable density, connections between trays of different widths should be made with (Z type) Reduction Modules. The reduction from the middle should consist of two symmetrical elements. Right reduction and left reduction; a combination of one normal reduction element and one additional element should be used.
15. For connection assembly, use lacquered, M6 Bold, nut set. The bolt should be M6x12. The bolt should be domed, flanged, and lockable in its socket. The M6 nut should be single-flanged and should have a tab.
16. In both the additional module and the reduction modules, for each additional element: If the cable ladder edge height is 40-50-60mm, use 4 pcs; if it is 75-100-125mm, use 8 pcs; if it is 150mm, use 12 pcs.
17. The cable ladder should not be walked on or used as a walkway.

1. It is used for the horizontal and vertical distribution of power cables at the specified locations in the project.
2. The strength-enhancing curve at the upper part of the cable ladder edges should be 10mm. The traverse welding foot at the lower part of the cable ladder edges should be 23 mm.
3. Hole dimensions opened for creating joints in cable ladder edges will be 7x20 mm.
4. Cable ladder crossbars will be welded to the edges at intervals of 300 mm.
5. Side wall sheets of the cable ladder should be reinforced by shaping along the length of the wall sheet.
6. The number of side wall forms should be one for 40-50-60 mm side wall heights, two for 75-100 mm side wall heights, and three for 125-150 mm side wall heights. Cable ladders should be produced in equal lengths with a length of 3 m. Optionally, they should be produced in 6 m lengths.
7. Cable ladders should be manufactured from 1.2 - 1.5 or 2 mm sheet metal.
8. Cable ladders should be produced in equal lengths with a length of 3 m.
9. Cable ladder crossbars should be produced as U. The U crossbar should be 17 mm in height, 35 mm in width, with a single-sided angled curve, and holes on the flat surface should be 25 mm apart with dimensions of 7.5x14 mm.
10. Cable ladders should comply with TS EN 61537 TS EN ISO 1461 standards for manufacturing. High-quality ironbased sheet material should be zinc-coated by the hot-dip method in accordance with TS EN ISO 1461 standards after drilling and bending. Before zinc coating, necessary cleaning and degreasing processes should be carried out. After this process, washing should be done, and then it should be passed through a flux bath. The galvanized thickness should be a minimum of 45 µm.
11. Where the height of the cable ladder changes, LEVEL ADAPTATION MODULES or level-changing attachments should be used.
12. The connections between cable ladders should be made with two pcs of additional elements. The installation of all turning elements into the channels should be done with additional elements.
13. Where the cable ladder changes direction; 90° horizontal turn element, horizontal (T) connection element, quadruple turn element should be used.
14. Due to cable density, connections between trays of different widths should be made with (Z type) Reduction Modules. Reduction from the middle should consist of two symmetrical elements. Right reduction and left reduction; a combination of one normal reduction element and one additional element should be used.
15. For connection assembly, use lacquered, M6 Bolt, nut set. Bolt dimensions should be M6x12. The bolt should be domed, flanged, and lockable in its socket. The M6 Nut should be single-flanged and have a tab.
16. The Additional Bolt set to be used in both the additional module and the reduction modules: If the cable ladder edge height is 40 - 50 - 60 mm, use 4 pcs; if it is 75 mm, use 8 pcs - if the edge height is 100 mm, use 12 pcs.
17. The cable ladder should not be walked on or used as a walkway.

EAE TRUNKING SYSTEM	In strong current installations, just like in weak current installations, it is a cable tray system that provides reliable, easy, quick, mechanical, and optical protection, allowing cables to be carried within it after installation.
	The edges of the tray are made from perforated metal material that has been bent inward to enhance strength.
	Straight lengths are produced as standard 3 meters.

The EAE Trunking Cable Tray System product range varies according to its external dimensions. The height and width values are specified below.

50 X 50	75 X 75	100 X 100	150 X 150	200 X 200
50 X 75	75 X 100	100 X 150	150 X 200	200 X 300
50 X 100	75 X 150	100 X 200	150 X 300	
50 X 150	75 X 200	100 X 300		
50 X 200	75 X 300			
50 X 300				

1. For the trays specified in the table, sheet metal with a thickness of 1mm-1.2mm-1.5mm is used. Straight lengths and turn modules are supplied with their covers.
2. In straight lengths, there are 3 locking points to secure the covers. Each locking point has 2 locks for widths of 100, 150, and 200mm, and 1 lock for widths of 50 and 75mm.
3. The TKS Series Trunking Tray Cover has a special locking system. It can be easily locked by quarter-turning the locking system. The tongue under the cover ensures that the cover is securely fixed to the tray with a quarter-turn.
4. Grounding (electrical continuity) of the tray is crucial for data and telephone cables. In the EAE Trunking Tray system, there are grounding continuity and reduced resistance link gaps at additional points on each straight length and turn module. These links are available within the product range.
5. Straight lengths are connected to each other with the TKS Joint element. Two joint elements are used at each joint point.
6. The number of additional bolt sets using zinc-coated M6x12 dome-headed square neck bolts and M6 serrated washer nuts varies according to the channel height at each joint point.
7. For heights of 50 and 75mm, 2 sets are used at each joint element, For a height of 100mm, 4 sets are used at each joint element, For a height of 150mm, 6 sets are used at each joint element, For a height of 200mm, 6 additional bolt sets are used at each joint element.
8. No additional elements are used in the assembly of turn modules. They can be assembled using the parts on the module itself.
9. Turn modules provide easy cable routing with their round turning angle, avoiding damage to the cable with smooth turning lines.
10. Pre-galvanized Trunking Cable Tray System: Raw materials must comply with TS EN 10346-TS EN 10143 standards. The total galvanized dipping thickness should be 7-14 µm.
11. Hot-Dip Galvanized Trunking Tray System: Hot-dip galvanizing should be done according to TS EN 1461 standards. The total galvanized dipping thickness should be 45-55 µm.
12. Stainless Steel sheet of 304 quality is used.

1. In the locations specified in the project, perforated sheet metal should be used for the horizontal distribution of cables, and universal cable trays of normal service character should be used.
2. Universal cable trays with widths of 50-100-150-200mm should be made of 0.8-1mm thick galvanized sheet metal, those with widths up to 300mm should be 1.2mm thick, and those with widths of 300-400-500-600mm should be made of 1.5-2mm thick galvanized sheet metal. The vertical edge height of the cable trays is 40mm-50mm-60mm-75mm-100mm.
3. Perforated cable trays should be produced in equal-length units, with a minimum length of 3 meters. However, they can be produced in continuous lengths up to 4-5 and 6 meters if requested. Additionally, upon request, sheet cable trays should be producible without perforations. In non-perforated production, there should only be holes at the joints.
4. Ventilation holes should be opened along the entire length of universal cable trays to ensure ventilation both on the edges and inside the trays. Hole dimensions should be 8 x 23.8 x 30, 8 x 35, and a diameter of 11. Holes for couplings with a diameter of 20.5mm spaced at intervals of 166mm should be present in the middle of the tray.
5. The manufacture of Sheet Cable Trays must comply with TS EN ISO 1461 standards. High-quality iron-based sheet material should be zinc-coated using the hot-dip method in accordance with TS EN ISO 1461 standards after the punching and bending processes. Necessary cleaning and de-greasing processes should be carried out before zinc coating. After galvanizing, the material should undergo final inspection and cleaning.
6. Upon request, after this manufacturing process, epoxy polyester electrostatic powder paint with RAL code should be applied. It should be baked at 180° degrees after the painting process. The paint thickness should be a minimum of 50µm. Painted trays and accessories should be packaged for protection. The length of galvanized and painted trays should be L=3000mm. In case of cutting the cable channel during assembly, in a container, electrostatic powder paint diluted with cellulose thinner (in an oily paint consistency) should be applied with a brush to the cut areas, touch-up should be done, and it should be allowed to dry for 2 hours.
7. LEVEL ADAPTATION MODULE or level-changing attachments should be used where Universal Cable Trays change height.
8. Where the Tray changes direction (as needed): 90° horizontal turn element; horizontal (T) connection element; (+) quadruple turn element, inner and outer convex turn elements should be used. The use of these elements should not involve sharp corners.
9. In vertical descents and ascents, panel cable connections, socket group, etc. connections: Vertical (T) wall descent element - Vertical (T) Center Descent/Ascent element should be used.
10. The connections between Trays should be made with Connection Elements. Each length is 3m. Two pieces of connecting elements should be used every three meters. The assembly of all turn elements is done by passing through the channels (no need for additional connecting elements). Bolt holes should be suitable for M6 Connection Bolt set. M6x12 - domed head lockable Bolt and flanged nut set should be used.
11. Due to cable density, connections of trays used in different widths will be made with Reduction Modules.
12. For connection assembly, lacquered, metric system-compatible (M6 Connection Bolt set) Bolts and nuts, etc. should be used.
13. In all connection points of turn modules and reduction modules (for H=40mm) 4 pcs, (for H=50mm) 4 pcs, (for H=60mm) 4 pcs, (for H=75mm) 8 pcs, (for H=100mm) 8 pcs of M6x12 connection Bolt nut set should be used.
14. Cable trays should not be walked on or used as a walking path.

1. In the specified locations in the project, perforated sheet metal Universal Cable Trays of heavy-duty character (with inward-curved edges in a circular manner, approximately 10mm in diameter externally) should be used for the horizontal distribution of cables.
2. Universal Cable Trays with widths of 50-100-150-200mm should be made of galvanized sheet metal with a thickness of 0.8-1mm, those with widths up to 300mm should have a thickness of 1.2mm, and those with widths of 300-400-500-600mm should be made with a thickness of 1.5-2mm. The vertical edge height of cable carriers should be 40mm-50mm-60mm-75mm-100mm.
3. Sheet Cable Trays should be produced in equal-length units, with lengths not less than 3 meters. However, upon request, they can also be produced in continuous lengths of 4-5 and 6 meters. Additionally, upon request, sheet cable trays can be produced without perforations. In perforation-free production, holes should only be present at the joints.
4. Holes should be drilled along the edges and inside Universal cable trays to provide ventilation. Hole dimensions should be 8 x 23.8 x 30, 8 x 35, and a diameter of 11. Holes with a diameter of 20.5mm spaced at 166mm intervals should be present in the middle of the tray for couplings.
5. Manufacturing of cable trays must comply with TS EN ISO 1461 standards. High-quality iron-based sheet material should be hot-dipped in zinc according to TS EN ISO 1461 standards after the punching and bending process. Necessary cleaning and degreasing processes should be carried out before zinc coating. The final process should include washing, rinsing, and passing through a flux bath. The thickness of the galvanized coating should be a minimum of 45 µm. After the galvanization process, the material should undergo final inspection and cleaning.
6. Upon request, following this manufacturing process, epoxy polyester electrostatic powder coating with an RAL code should be applied. After the painting process, it should be baked at 180° degrees. The paint thickness should be a minimum of 50 µm. Painted trays and accessories should be packaged for protection. The length of galvanized and painted trays should be L=3000mm. (In case of cutting the cable tray during assembly, cellulose thinner-diluted electrostatic powder paint, similar to oil paint, should be applied with a brush to the cut areas, and it should be allowed to dry for 2 hours.)
7. In places where Universal Cable Trays change height, LEVEL ADAPTATION MODULE or level-changing attachments should be used.
8. In places where the tray changes direction (as needed): 90° horizontal turn element; horizontal (T) connection element; (+) quadruple turn element, concave and convex turn elements should be used. The usage area of these elements should not have sharp corners.
9. In vertical descents and exits, panel cable connections, socket groups, etc. connections: vertical (T) wall descent element, vertical (T) middle descent/exit element should be used.
10. The connections between trays should be made with coupling elements. Each length is 3m. Two coupling elements should be used every three meters. The assembly of all turning elements is done by passing through the trays (no need for coupling elements). Bolt holes should be suitable for M6 additional Bolt set. M6x12 - dome-headed lockable Bolt and flanged nut set should be used.
11. Due to cable density, connections between trays of different widths will be made with Reduction Modules.
12. For connection assembly, lacquered, metric system-compatible (M6 additional Bolt set) Bolts, nuts, etc. should be used.
13. In all turning modules and reduction modules connections (for H=40mm), 4 pcs, (for H=50mm), 4 pcs, (for H=60mm), 4 pcs, (for H=75mm), 8 pcs, (for H=100mm), 8 pcs, M6x12 additional Bolt nut set should be used.
14. Cable Trays should not be walked on or used as a walking path.

1. In the specified locations in the project, perforated sheet metal Universal Cable Trays of heavy-duty character (with edges curved inward in a circular manner, approximately 10 mm in diameter externally) should be used for the horizontal distribution of cables.
2. Universal Cable Trays with widths of 100-300 mm should be made of galvanized sheet metal with a thickness of 0.7 mm, and those with widths up to 400-600 mm should be made with a thickness of 0.9 mm. The vertical edge height of cable trays should be 40-50-60-75-100 mm in all trays. Edge heights of 75 mm and 100 mm have pass-through covers. Depending on the cable section and density, if needed, the edge height can be 40 mm - 50 mm - 60 mm for CTHF-E cable trays, with thicknesses for widths of 100-200 mm: 0.8 mm, for 300-400 mm: 1 mm, and for 500-600 mm: 1.2 mm.
3. Sheet Cable Trays should be produced in equal-length units, and their lengths should not be less than 3 meters.
4. To provide ventilation at the edges and inside Universal Cable Trays, holes should be drilled throughout the tray. Hole dimensions should be 7 x 26 mm for edge heights, longitudinal slot holes of 7 x 28 mm on the trays base surface, transverse slot holes of 7 x 57 mm, internal holes with a diameter of 11 mm, and coupler holes with a diameter of 25 mm. These holes should be chamfered at a minimum of 3 mm for tray strength.
5. Manufacturing of CTHF-E Cable Trays must comply with TS EN ISO 1461 standards. High-quality iron-based sheet material should be hot-dipped in zinc according to TS EN ISO 1461 standards after the punching and bending process. Necessary cleaning and degreasing processes should be carried out before zinc coating. The final process should include washing, rinsing, and passing through a flux bath. The thickness of the galvanized coating should be a minimum of 45 µm. After the galvanization process, the material should undergo final inspection and cleaning.
6. Upon request, following this manufacturing process, epoxy polyester electrostatic powder coating with an RAL code should be applied. After the painting process, it should be baked at 180° degrees. The paint thickness should be a minimum of 50 µm. Painted trays and accessories should be packaged for protection. The length of galvanized and painted trays should be L=3000 mm. (In case of cutting the cable tray during assembly, similar to oil paint, cellulose thinner-diluted electrostatic powder paint should be applied with a brush to the cut areas, and it should be allowed to dry for 2 hours.)
7. In places where Universal Cable Trays change height, LEVEL ADAPTATION MODULE or level-changing attachments should be used.
8. In places where the tray changes direction (as needed): 90° horizontal turn element; horizontal (T) connection element; (+) quadruple turn element, concave and convex turn elements should be used. The usage area of these elements should not have sharp corners.
9. In vertical descents and exits, panel cable connections, socket group connections, etc.: Vertical (T) wall descent element - Vertical (T) middle descent/exit element should be used.
10. The connections between trays should be made with Coupling Elements. Each length is 3m. Two coupling elements should be used every three meters. The assembly of all turning elements is done by passing through the trays (no need for coupling elements). Bolt holes should be suitable for M6 additional Bolt set. M6x12 - dome-headed lockable Bolt and flanged nut set should be used.
11. Due to cable density, connections between trays of different widths will be made with Reduction Modules.
12. For connection assembly, lacquered, metric system-compatible (M6 additional Bolt set) Bolts, nuts, etc. should be used.
13. In all turning modules and reduction modules connections (for H=40-50 mm), 4 pcs, (for H=60 mm), 8 pcs M6x12 additional Bolt nut set should be used.
14. Cable trays should not be walked on or used as a walking path.

1. Universal Cable Trays with a width of up to 100-200-300mm should be made of 1.5mm thick sheet metal, and those with a width of up to 400-500-600mm should be made of 2mm thick galvanized sheet metal. The vertical edge height of the cable trays is 60mm-75mm-100mm.
2. Sheet Cable Trays should be produced in equal-length units, with lengths not less than 3 meters. However, upon request, they can be produced in continuous lengths of 4-5 and 6 meters. Additionally, upon request, sheet cable trays can be produced without perforations. In perforation-free production, holes should only be present at joint locations.
3. Holes should be drilled along the edges and inside the universal cable trays to provide ventilation throughout the tray. Hole dimensions should be 8 x 23.8 x 30, 8 x 35, and diameter 11. Holes for connectors with a diameter of 20.5mm at intervals of 166mm should be present in the middle of the tray.
4. Manufacturing of cable trays must comply with TS EN ISO 1461 standards. High-quality iron-based sheet material should be zinc-coated using the hot-dip method in accordance with TS EN ISO 1461 standards after the punching and bending processes. Necessary cleaning and degreasing processes should be carried out before zinc coating. Finally, washing and rinsing should be performed, followed by passing through a flux bath. The thickness of the galvanized coating should be a minimum of 45 µm. After galvanization, a final inspection and cleaning of the material should be conducted.
5. Upon request, after this manufacturing process, epoxy polyester electrostatic powder paint with an RAL code should be applied. The painted trays should be baked at 180°C. The paint thickness should be a minimum of 50 µm.
6. Painted trays and accessories should be packaged for protection. The length of galvanized painted trays should be L=3000mm. In case of cutting the cable trays during installation, a cellulose thinner-diluted electrostatic powder paint (in an oily paint consistency) should be applied to the cut areas with a brush, and a drying time of 2 hours should be allowed.
7. In places where Universal Cable Trays change height, LEVEL ADAPTATION MODULE or level adjustment attachments should be used.
8. In places where the Tray changes direction (as needed): 90° horizontal turn element; horizontal (T) Connection element; (+) four-way turn element, inner concave turn, and outer concave turn elements should be used. The use of these elements should not involve sharp corners.
9. In vertical descents and ascents, panel cable connections, socket group, etc. connections: Vertical (T) descent element - Vertical (T) Middle Descent/Ascent element should be used.
10. Connections between Trays should be made with Connecting Elements. Each length is 3m, and 2 pieces of connecting elements will be used every three meters. The assembly of all turning elements is done by passing through the trays (no need for additional connecting elements). Bolt holes should be suitable for M6 Connecting Bolt set. M6x12 - domed head lockable Bolt and flanged nut set should be used.
11. Due to cable density, connections between trays of different widths will be made with Reduction Modules.
12. For connection assembly, lacquered, metric system-compatible (M6 Connecting Bolt set) Bolt and nut, etc. should be used.
13. In all turning module and reduction module connections (for H=40mm) 4 pieces, (for H=50mm) 4 pieces, (for H=60mm) 4 pieces, (for H=75mm) 8 pieces, (for H=100mm) 8 pieces of M6x12 Connecting Bolt nut set should be used.
14. The cable tray should not be walked on or used as a walking path.

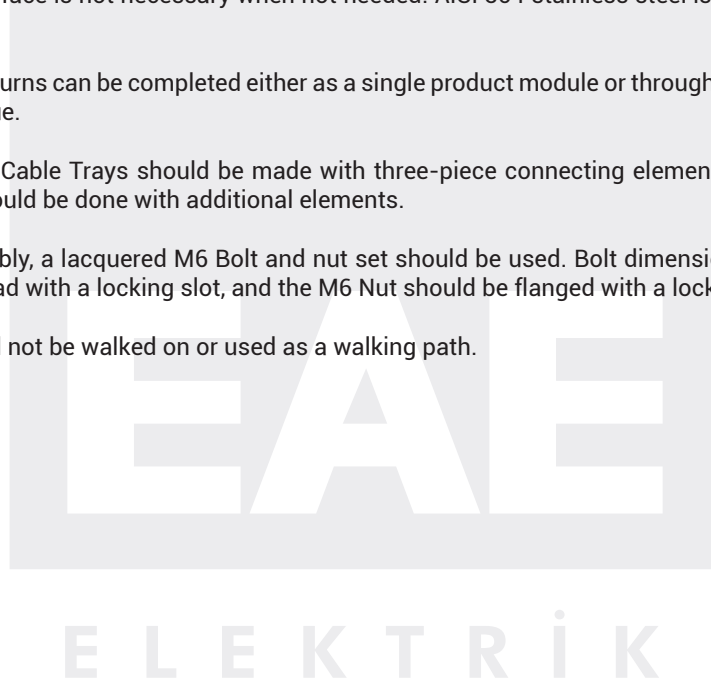
1. It is used for the horizontal and vertical distribution of cables at the specified location in the project.
2. Cable Trays should be produced in equal-length units, with lengths being produced in continuous lengths of L=3m.
3. Horizontal and vertical wires of Cable Trays are produced with diameters of 4mm and 5mm.
4. Cable Trays are created by connecting horizontal wires at 100mm intervals in the vertical direction and vertical wires at 50mm intervals in the horizontal direction.
5. Low voltage installation cable trays to be laid inside Cable Channels must be in a separate compartment. For example, a Separator of the same length and height as the tray should be mounted inside Cable trays, or low voltage installation cables should be in separate cable trays. Cables should be secured to the cable tray with plastic cable ties.
6. High-quality iron-based wire material should be coated with zinc using the Electro Galvanizing (EG) method in accordance with the DiN 50961, TSE 149 standards after the wire mesh welding and bending process. Electro galvanizing is a galvanizing method where zinc adheres to steel through the electrolysis method. Electro galvanized products are suitable for indoor use and show approximately 10-15 microns of coating thickness. They exhibit approximately 96 hours of resistance in salt spray tests. They have a clean, smooth, and shiny appearance.
7. Cable Trays, YD, T, AD, turns can be completed either as a single product module or through the cutting and joining method described in the catalogue.
8. Connections between Cable Trays should be made with three-piece connecting elements. The assembly of all turning elements to the Trays should be done with additional elements.
9. For connection assembly, a lacquered M6 Bolt and nut set should be used. Bolt dimensions should be M6x20. The bolt should have a domed head with a locking slot, and the M6 Nut should be flanged with a lockable tab.
10. The Cable Tray should not be walked on or used as a walking path.

▶▶EAE E-Line Wire Cable Channel and Suspension Systems with Hot Dip Galvanized (TLS)

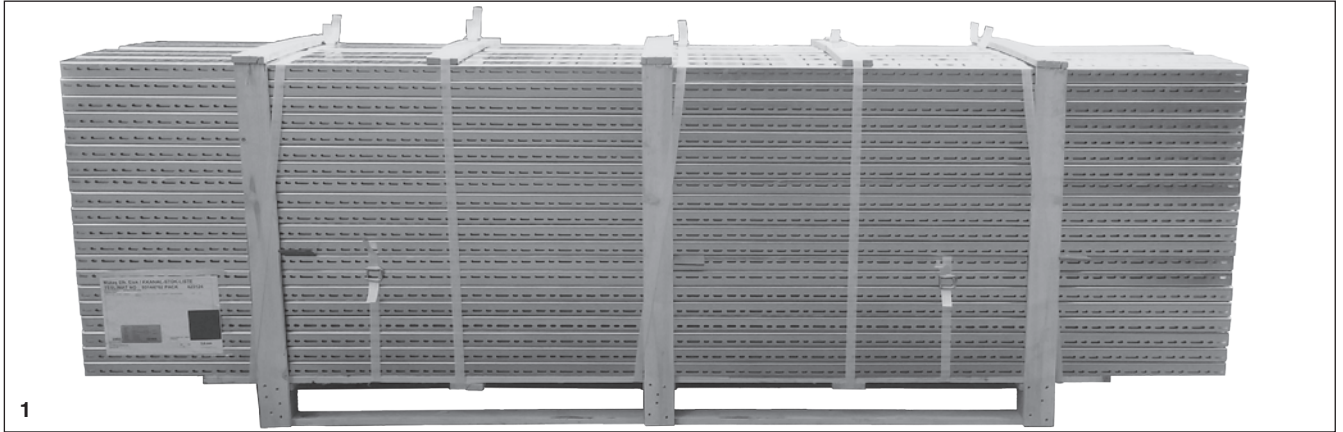
▶E-Line Wire Cable Tray and Suspension Systems

1. It is used for the transportation of cables in horizontal and vertical distribution at the specified location in the project.
2. Wire CableTrays should be produced in units of equal length, and their lengths should be manufactured as a single piece with L=3 m.
3. Horizontal and vertical wires of Cable Trays are produced with Ø4 and Ø5.
4. Wire Cable Trays are created by joining horizontal wires at intervals of 100mm in the vertical direction and vertical wires at intervals of 50mm in the horizontal direction.
5. Low-current installation cable trays laid inside Cable Trays must be in a separate compartment. For example, a separator should be mounted inside Cable Trays, with the same length and height, or low-current installation cables should be in separate cable trays. Cables should be secured to the cable tray with plastic cable ties.
6. High-quality iron-based wire material must be zinc-coated with the hot-dip method according to TS EN ISO 1461 standards after wire mesh welding and bending processes. Before zinc coating, necessary cleaning and degreasing processes should be carried out. As a final step, washing and rinsing should be done, and then it should be passed through the flux bath. The galvanizing thickness should be a minimum of 45 µm. After the galvanizing process, the final inspection and cleaning of the material should be carried out.
7. Cable Tray, YD, T, AD, turns can be completed either as a single product module or with the cutting and joining method described in the catalogue.
8. The connections between Cable Trays should be made with three pieces of additional elements. The assembly of all turning elements to the trays should be done with additional elements.
9. For connection assembly, a lacquer-coated M6 bolt and nut set should be used. The bolt dimensions should be M6x20. The bolt should have a dome-headed flash and be lockable in its slot. The M6 Nut should be flanged and have claws.
10. The Cable Tray should not be walked on or used as a walkway.

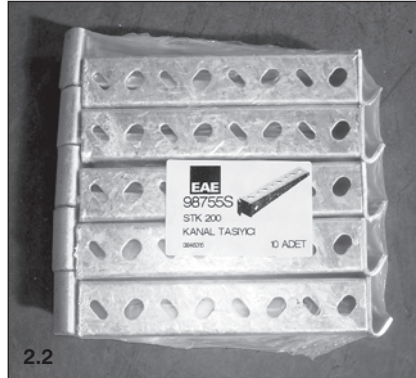
1. It is used for the horizontal and vertical distribution of cables at the specified location in the project.
2. Cable Trays should be produced in equal-length units, with lengths being produced in continuous lengths of L=3m.
3. Horizontal and vertical wires of Cable Trays are produced with diameters of Ø4mm and Ø5mm.
4. Cable Trays are created by connecting horizontal wires at 100mm intervals in the vertical direction and vertical wires at 50mm intervals in the horizontal direction.
5. Low voltage installation cable trays to be laid inside Cable Trays must be in a separate compartment. For example, a Separator of the same length and height as the channels should be mounted inside Cable Trays, or low voltage installation cables should be in separate cable trays. Cables should be secured to the cable tray with plastic cable ties.
6. High-quality Stainless Steel (SS304) (AISI 304) material is used for Cable Trays. After the stainless steel wire mesh welding and bending process, it undergoes chemical treatments (acid cleaning and passivation for surface cleaning) to passivate, preventing color changes that may occur due to thermal effects. AISI 304 stainless steel is a high-quality stainless steel suitable for applications in facades, industrial facilities, and similar environments. AISI 304 (1.4301) stainless steel is particularly used in factories, facades, and similar environments due to its high anticorrosive properties. Extra coating on the stainless steel surface is not necessary when not needed. AISI 304 stainless steel is an ideal material for extremely corrosive environments.
7. Cable Trays, YD, T, AD, turns can be completed either as a single product module or through the cutting and joining method described in the catalogue.
8. Connections between Cable Trays should be made with three-piece connecting elements. The assembly of all turning elements to the trays should be done with additional elements.
9. For connection assembly, a lacquered M6 Bolt and nut set should be used. Bolt dimensions should be M6x20. The bolt should have a domed head with a locking slot, and the M6 Nut should be flanged with a lockable tab.
10. The cable tray should not be walked on or used as a walking path.



1) Cable trays and modules are packaged with wooden pallets to safely transport them to the field. After the products are properly stacked on wooden pallets, they are secured to the pallet with PVC strip bands to prevent them from slipping. Boards nailed to the sides and top of the pallet provide protection against forces that may come from above or from the sides.



2) The suspension materials used in the installation of cable trays are initially covered with shrink nylon through a heat treatment process. The packaging is designed not to exceed a total weight of 25 kg for ease of transportation. The quantities of products in the package are in multiples of 10 to facilitate the counting process. To ensure product identification, labels containing the code, description, a small technical drawing, and the quantity of the contents are affixed to each package. Small product packages are then stacked on a wooden pallet, wrapped securely with stretch nylon to prevent dispersion, and supported with PVC strip bands around them.



3) Additional components, such as bolts, nuts, anchors, etc., are packaged in cardboard boxes. Bolt, nut, washer, and anchor materials are initially placed in plastic bags to prevent rusting. All boxes are prepared not to exceed 25 kg and are marked with labels containing product information. Small product packages are then stacked on a wooden pallet, securely wrapped with stretch nylon to prevent dispersion, and supported with PVC strip bands around them. All pallets are marked with labels containing product information. The label on the pallet also includes customer information and the total weight of the pallet. The packaging method described above is intended for large-scale projects. It may vary for small shipments and warehouses.

▶▶ PROJECT DESIGN FORM


Component List	Quantity	
Item	Component	
Please duplicate this page for your own use.		
Company: Project: Project No:		Name : Date : Signature : Prepared by

▶▶ PROJECT DESIGN FORM

Item	Component List	Component	Quantity
Please duplicate this page for your own use.			

Company:
Project:
Project No:

Name :
Date :
Signature :
Prepared by



Please duplicate this page for your own use.

▶▶ PROJECT DESIGN FORM


Component List	Quantity	
Item	Component	
Please duplicate this page for your own use.		
Company: Project: Project No:		Name : Date : Signature : Prepared by

▶▶ PROJECT DESIGN FORM

Component List	Item	Component	Quantity
Please duplicate this page for your own use.			

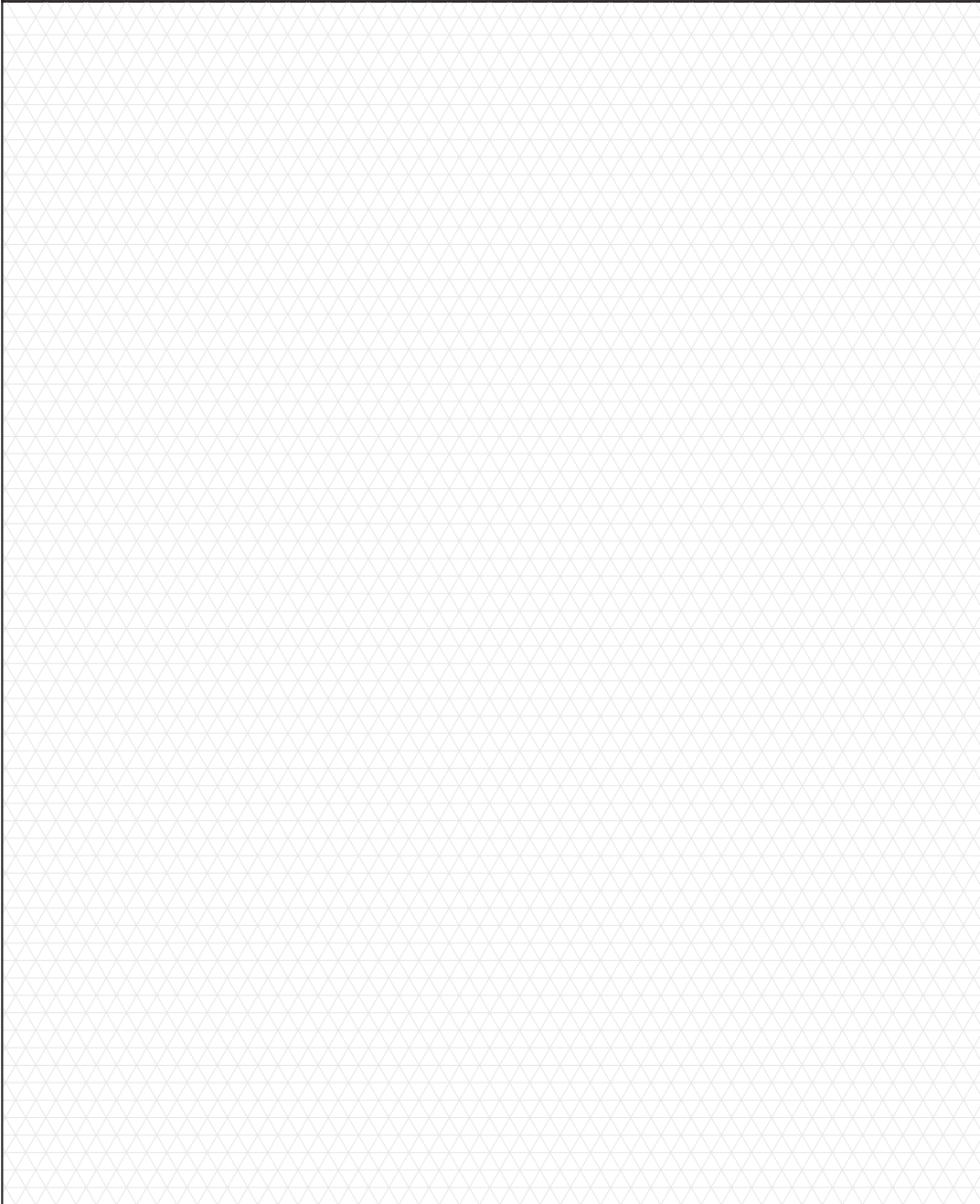

Company:
Project:
Project No:

Name :
Date :
Signature :
Prepared by



Please duplicate this page for your own use.

▶▶ PROJECT DESIGN FORM

Component List	Item	Component	Quantity		
				Company: Project: Project No:	Name : Date : Signature : Prepared by
					

Please duplicate this page for your own use.

PRODUCT TYPES

BUSBAR ENERGY DISTRIBUTION SYSTEMS

CABLE TRAYS

TROLLEY BUSBAR ENERGY DISTRIBUTION SYSTEMS

INDOOR SOLUTIONS

SUPPORT SYSTEMS

Please visit our website for the updated version of our catalogues.
www.eaeelectric.com



EAE Elektrik A.S.
Head Office
Akcaburgaz Mahallesi,
3114. Sokak, No:10 34522
Esenyurt - Istanbul - TURKEY
Tel: +90 (212) 866 20 00
Fax: +90 (212) 886 24 20

EAE DL 1 Factory
Cable Tray
Gebze IV Istanbul Makine ve Sanayicileri
Organize Bolgesi, 6. Cadde,
No: 2 41455 Demirciler Koyu,
Dilovası - Kocaeli - TURKEY
Tel: 0 (262) 999 05 55
Faks: 0 (262) 502 05 70

Please visit our website for the updated version of our catalogues.
www.eaeelectric.com



Catalogue 11-En. / Rev 26 / 0 Pcs. 20/02/2025
E.U

EAE has full right to make any revisions or changes on this catalogue without any prior notice.

