



# SOLAR MOUNTING SYSTEMS



# SOLAR MONTAJ SİSTEMLERİ

Kataloglarımızın en güncel hali için lütfen web sayfamızı ziyaret ediniz.  
[www.eae.com.tr](http://www.eae.com.tr)

# SOLAR MOUNTING SYSTEMS





# SOLAR MOUNTING SYSTEMS

Company Profile



## EAE Group in numbers;



**1973**  
year of foundation

Founded in 1973, EAE Elektrik A.S. being the parent company of EAE Group is a worldwide manufacturer of electrical products.

**Founded** : in 1973  
**Covered Manufacturing Area** : 280.000m<sup>2</sup>  
**Range of Products** : Busbar Power Distribution Systems  
Lighting Busbar Systems  
Cable Tray Systems  
Underfloor Trunking  
Trolley Busbar Systems



**280.000m<sup>2</sup>**  
covered manufacturing  
area

**Companies** : EAE Elektrik  
EAE Aydınlatma  
EAE Elektroteknik  
EAE Teknoloji  
EAE Makina



**5**  
manufacturing  
plants

**Number of Plants** : 5

The principles of "Lean Production" and "Innovative and Customer-Focused Product Development" are followed in design and production of product ranges in line with ISO 9001, ISO 14001, OHSAS 18001 and ISO 27001 standards.



**3**  
R&D Centers

Busbar products of EAE Elektrik A.Ş. are certified by laboratories classified under KEMA / DEKRA (the Netherlands) and KEMA - KEUR, UL classes according to IEC 61439-1 / 6 standards.



**100+**  
countries of export





# CONTENTS

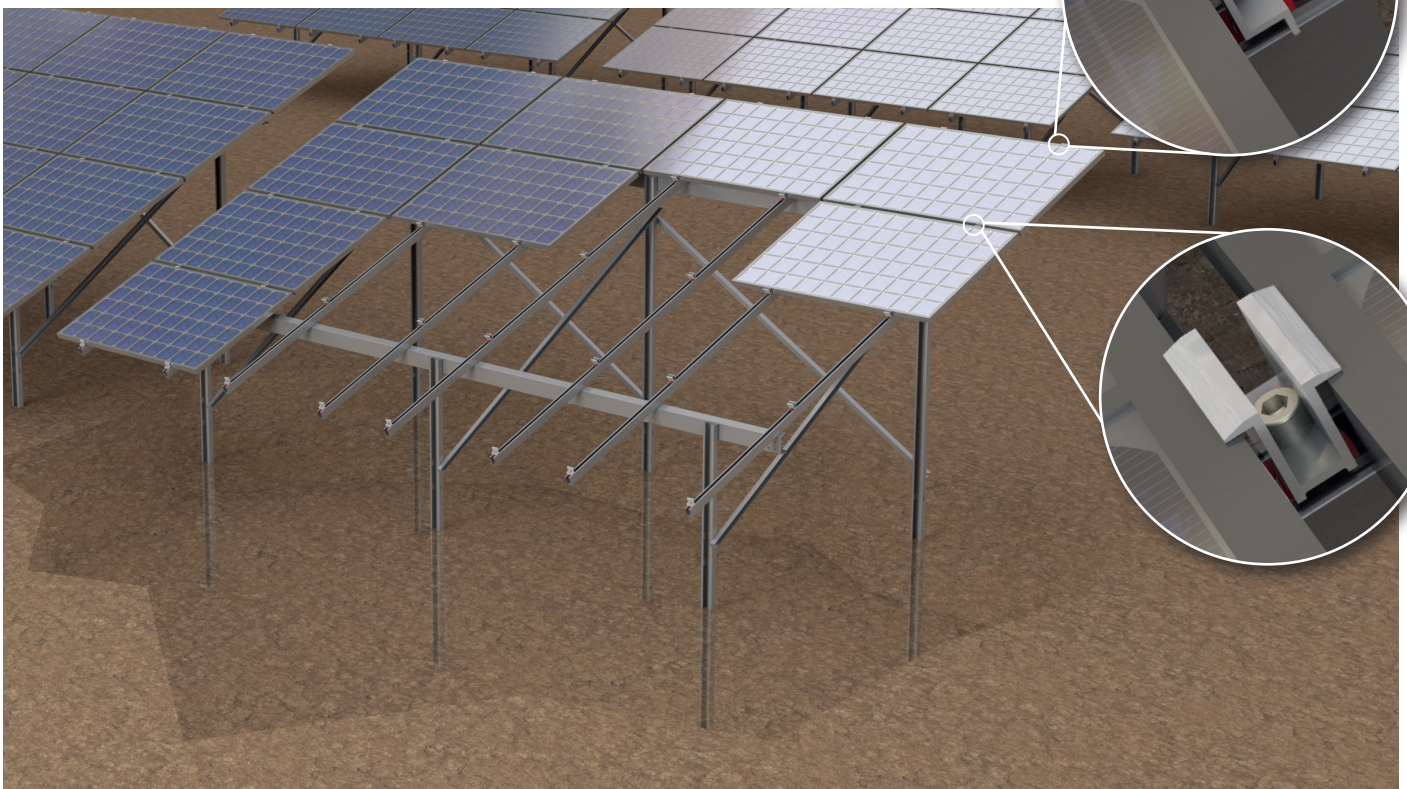
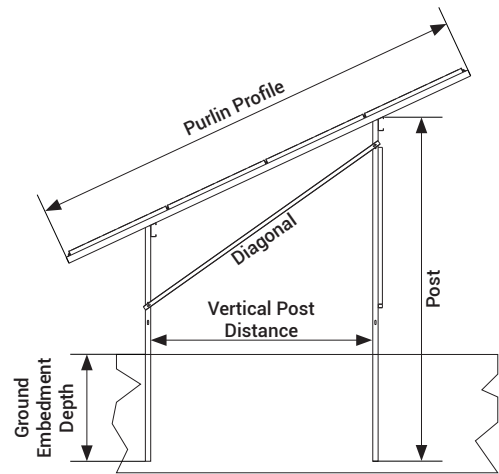
---

GROUND APPLICATION SOLUTIONS	
Ramming Ground Applications .....	2
Concrete Floor Applications .....	3
Single Counterfort Applications .....	4
ROOF APPLICATION SOLUTIONS	
Standard Flat Roof Applications .....	5-6
CARPORT APPLICATION SOLUTIONS	
Carport Application.....	7
REFERENCES	
Energy References .....	8-9

## ▶▶ GROUND APPLICATION SOLUTIONS

### ▶ Ramming Ground Applications

- Used for grounds convenient for ramming application.
- Embedment depth may vary according to the structure of the soil and static and dynamic loads in the project zone.
- Minimizes product deformations formed during ramming applications with the use of high-quality raw material use and precise quality controls.
- Offers fast and easy assembly advantage with state-of-the-art engineering and design. Thus, ensures serious savings on workmanship costs.

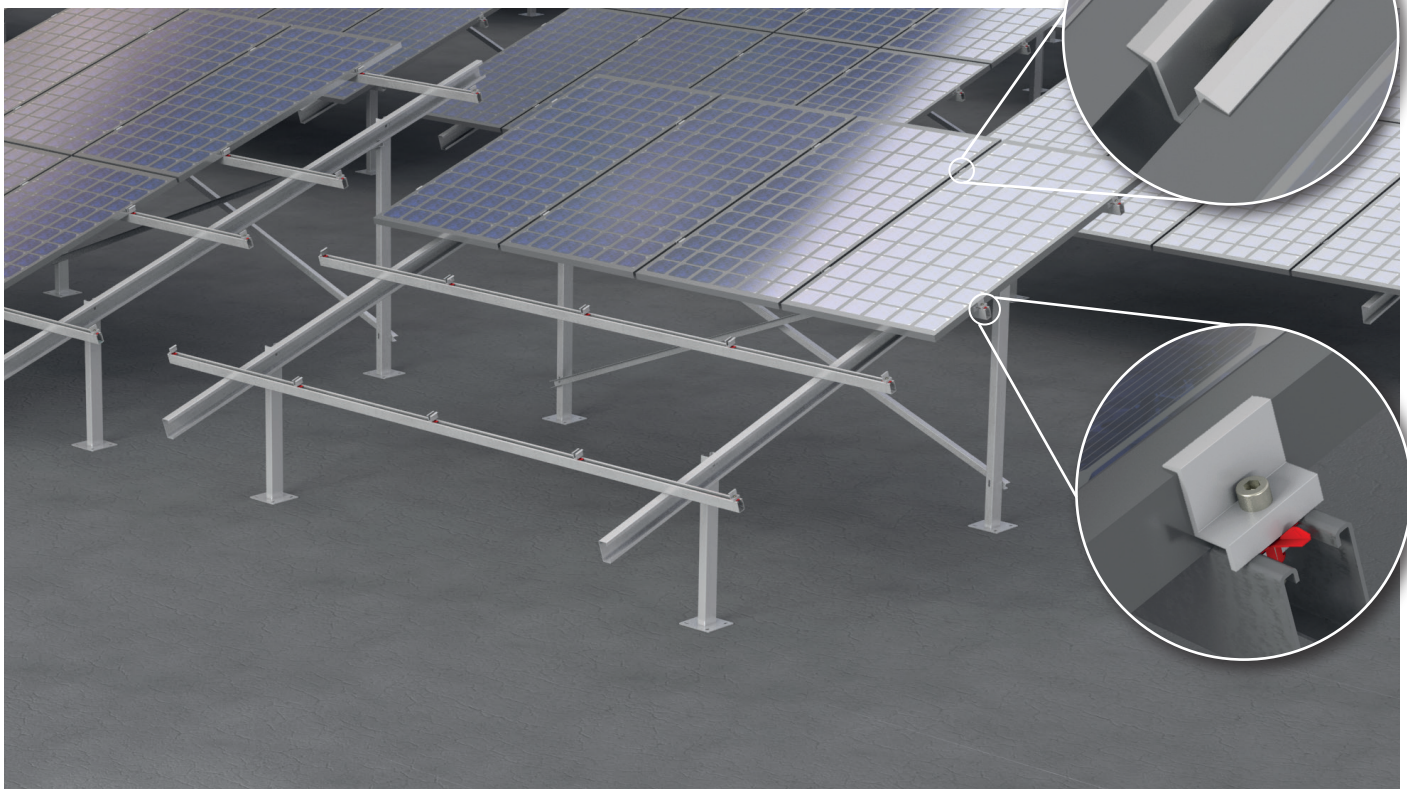
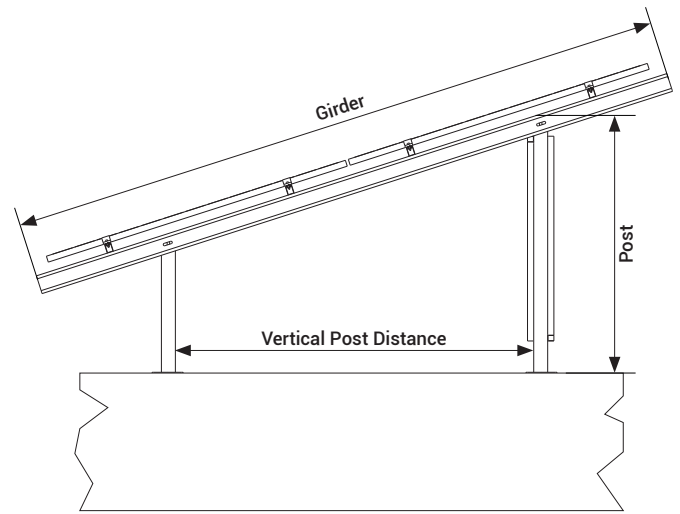


# SOLAR MOUNTING SYSTEMS

## ▶▶ GROUND APPLICATION SOLUTIONS

### ▶ Concrete Floor Applications

- Used for grounds that are not convenient for ramming application.
- Concrete floor measurements may vary depending on the project.
- Minimizes product deformations formed during ramming applications with the use of high-quality raw material use and precise quality controls.
- Offers fast and easy assembly advantage with state-of-the-art engineering and design. Thus, ensures serious savings on workmanship costs.

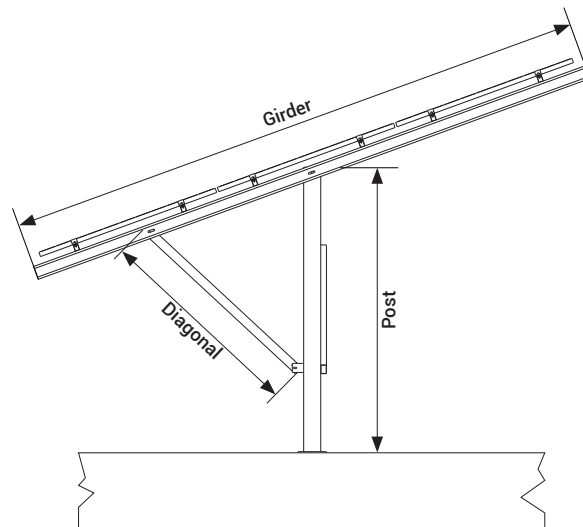




## ▶▶ GROUND APPLICATION SOLUTIONS

### ▶ Single Counterfort Applications

- Used for grounds that are not convenient for ramming application.
- Concrete floor measurements may vary depending on the project.
- Minimizes product deformations formed during ramming applications with the use of high-quality raw material use and precise quality controls.
- Offers fast and easy assembly advantage with state-of-the-art engineering and design. Thus, ensures serious savings on workmanship costs.

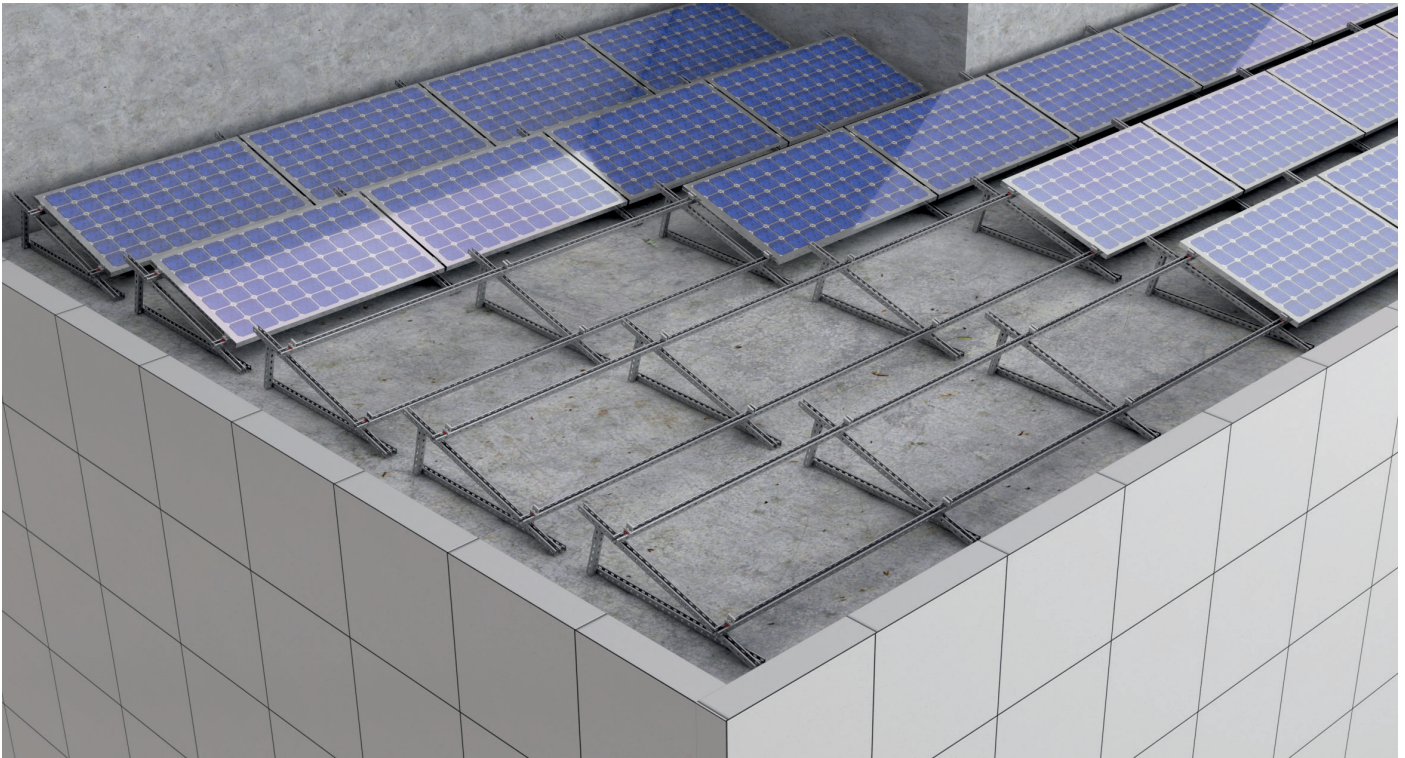




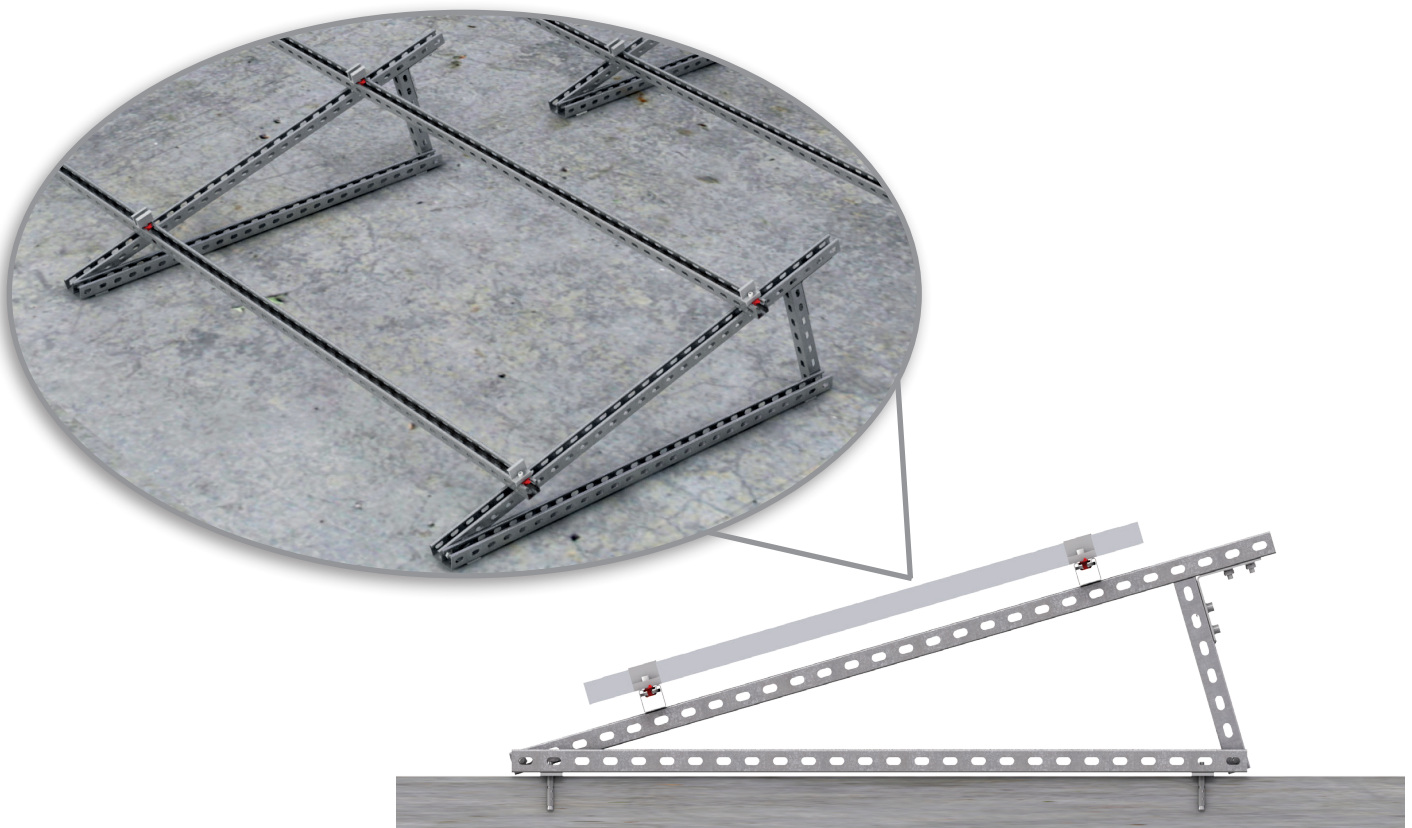
# SOLAR MOUNTING SYSTEMS

## ▶▶ ROOF APPLICATION SOLUTIONS

### ▶ Standard Flat Roof Applications



Standard Flat Roof Type-1



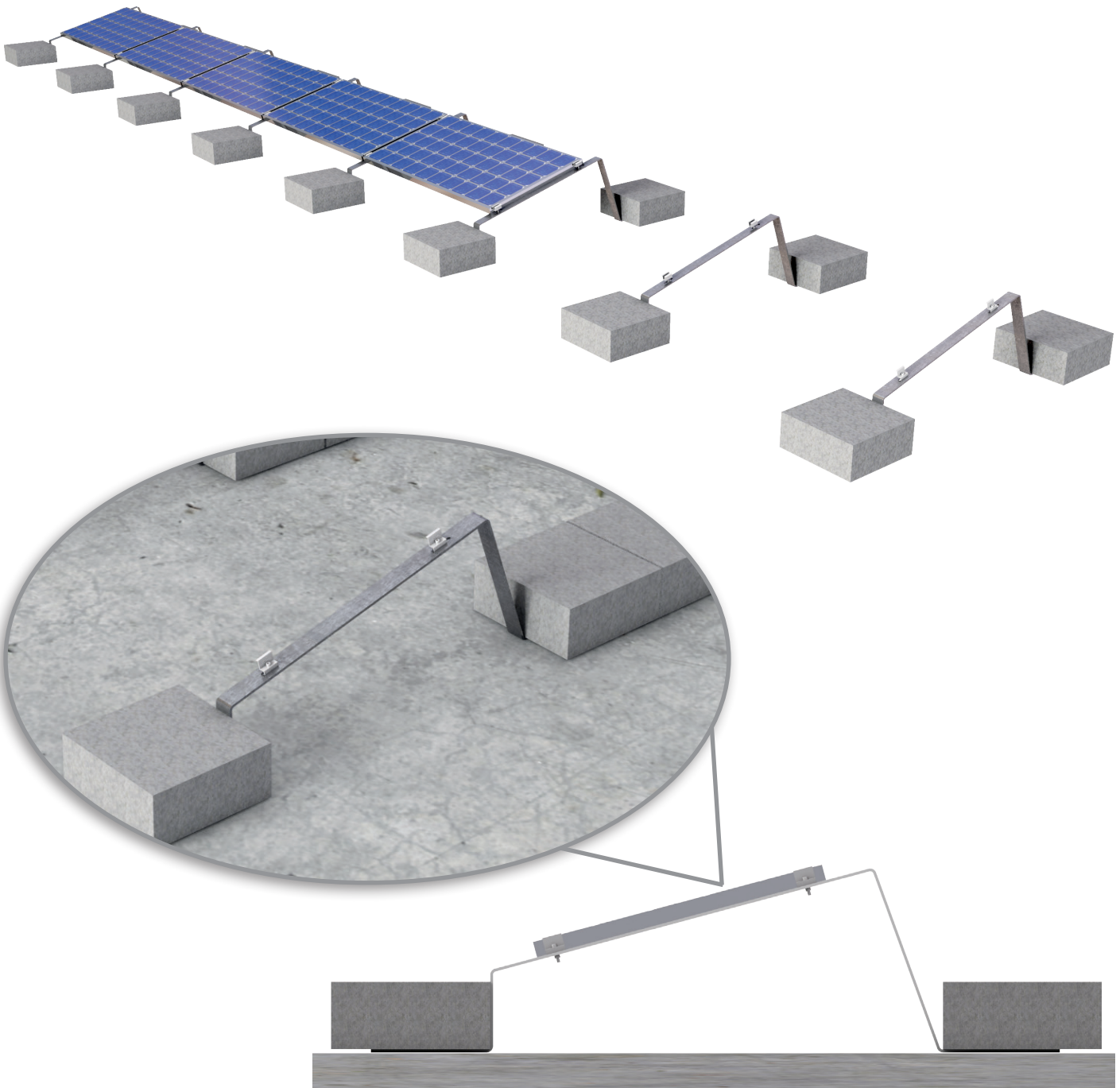
# SOLAR MOUNTING SYSTEMS

## ▶▶ ROOF APPLICATION SOLUTIONS

### ▶ Standard Flat Roof Applications

#### Standard Flat Roof Applications Type-2

Description	Weight (kg/m)	Order Code
Roof Type Support Foot	9,330	3188595

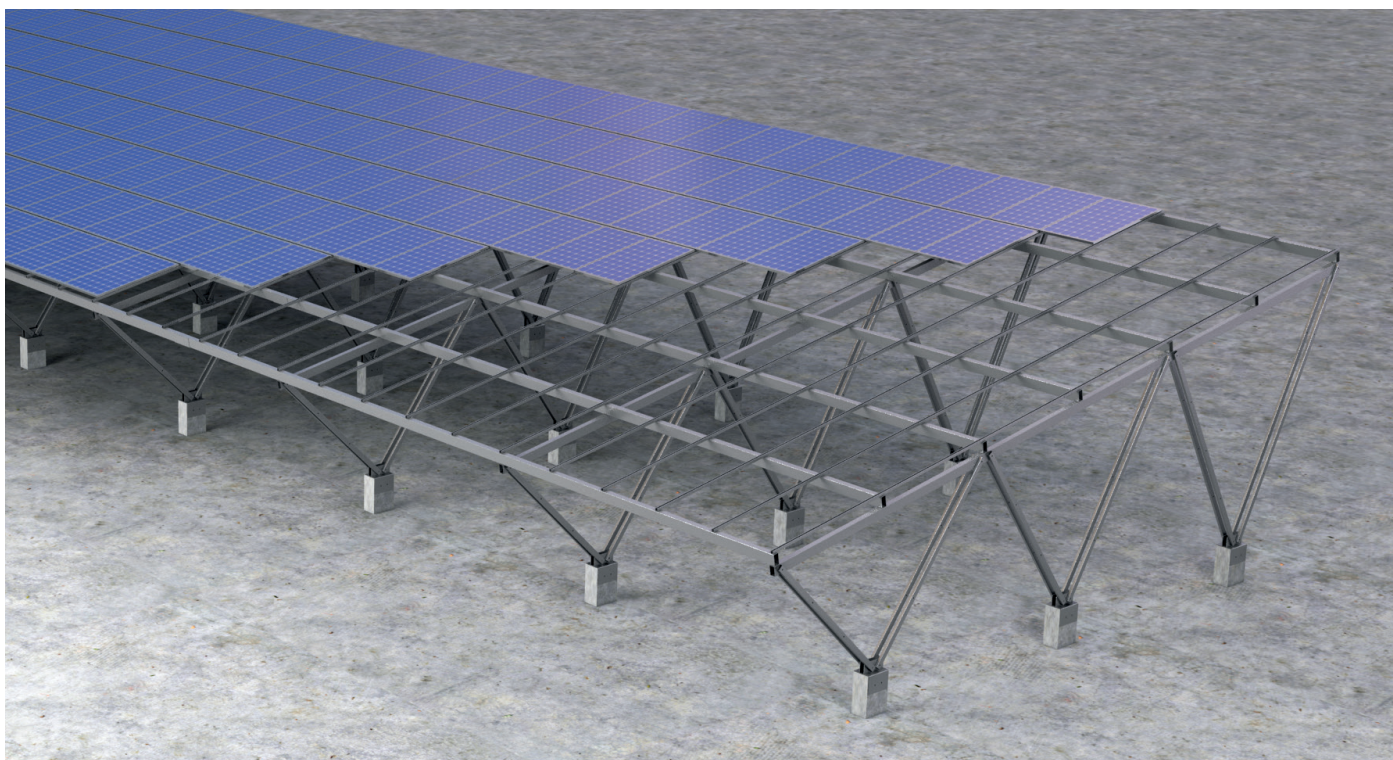




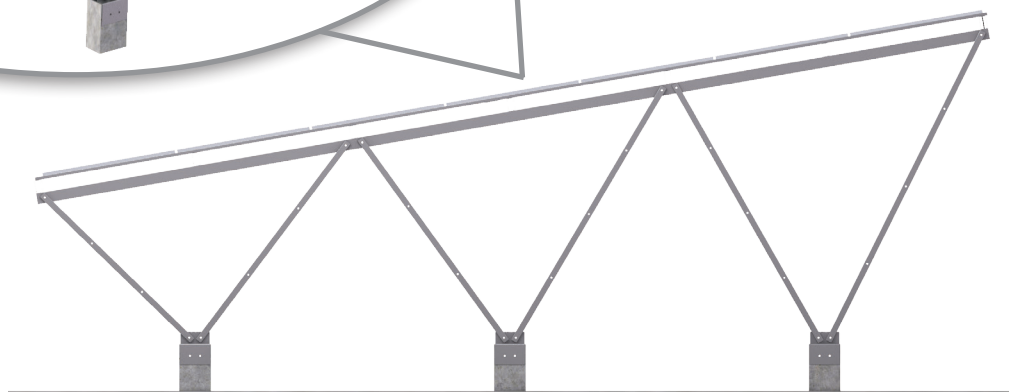
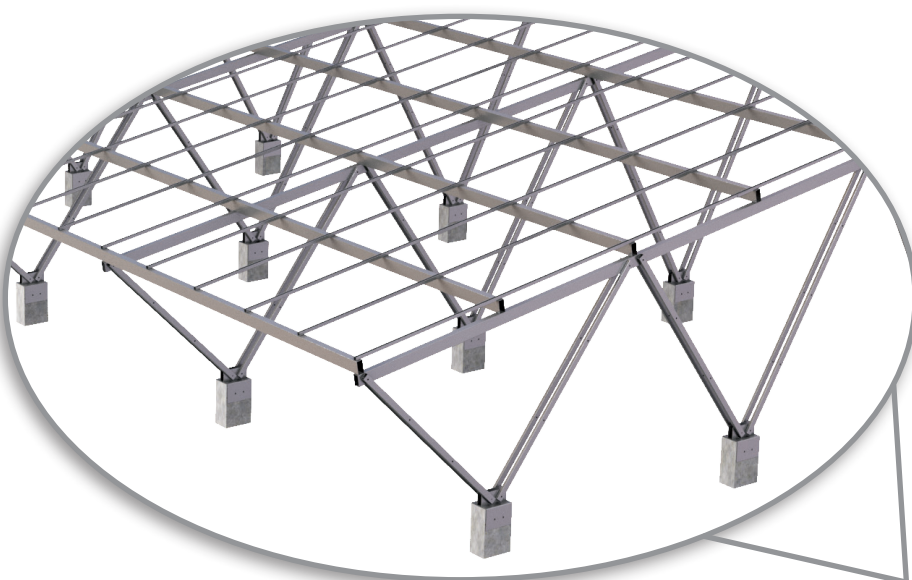
# SOLAR MOUNTING SYSTEMS

## ▶▶ CARPORT APPLICATION SOLUTIONS

### ▶ Carport Application



Carport:





# SOLAR MOUNTING SYSTEMS

## ▶▶ REFERENCES

### ▶ Energy References

FIXED TILT GROUND APPLICATION – SOLAR MOUNTING SOLUTIONS



8,6 MW Konya 1 Energy Plant

FIXED TILT GROUND APPLICATION – SOLAR MOUNTING SOLUTIONS



4,2 MW Konya 2 Energy Plant

FIXED TILT GROUND APPLICATION – SOLAR MOUNTING SOLUTIONS



8,6 MW Konya 3 Energy Plant



# SOLAR MOUNTING SYSTEMS

## ▶ REFERENCES

### ▶ Energy References

FIXED TILT GROUND APPLICATION – SOLAR MOUNTING SOLUTIONS



CARPORT APPLICATION – SOLAR MOUNTING SOLUTIONS



FIXED TILT GROUND APPLICATION – SOLAR MOUNTING SOLUTIONS






# SOLAR MOUNTING SYSTEMS



Member List		
Serial No	Type	Pcs.

Company : Project : Project No :	Name : Date : Signature :
Prepared by	



Please use this page after copying.

# PRODUCT TYPES



BUSBAR ENERGY DISTRIBUTION SYSTEMS



CABLE TRAYS



TROLLEY BUSBAR ENERGY DISTRIBUTION SYSTEMS



INDOOR SOLUTIONS



SUPPORT SYSTEMS



EAE Elektrik A.S.  
Head Office  
Akcaburgaz Mahallesi,  
3114. Sokak, No:10 34522  
Esenyurt - Istanbul - TURKEY  
Tel: +90 (212) 866 20 00  
Fax: +90 (212) 886 24 20

EAE DL 3 Factory  
Busbar  
Makine Ihtisas Organize Sanayi  
Bolgesi Mahallesi, 6. Cadde,  
8. Sokak, No:6 41455  
Dilovası - Kocaeli - TURKEY  
Tel: +90 (262) 502 05 65  
Fax: +90 (262) 502 05 70

EAE DL 1 Factory  
Cable Tray  
Makine Ihtisas Organize Sanayi  
Bolgesi Mahallesi, 6. Cadde,  
8. Sokak, No:2 41455  
Dilovası - Kocaeli - TURKEY  
Tel: +90 (262) 502 05 65  
Fax: +90 (262) 502 05 70

Please visit our website for the updated version of our catalogues.  
[www.eaeelectric.com](http://www.eaeelectric.com)

IEC 61439-6 



Catalogue 39-Eng. / Rev 03 / 500 pcs. 20/09/2023  
G.M.

EAE has full right to make any revisions or changes on this catalogue without any prior notice.

