



# E-LINE E-BOX

Socket Combination Box



**NEW**  
PRODUCT

# E-LINE E-BOX SOCKET COMBINATION BOX



## TECHNICAL SPECIFICATIONS

The **E-BOX SOCKET COMBINATION BOX** series is designed for use in factories, construction sites, workshops, and work environments. It combines sockets and functions as an electrical installation box for circuit protection and distribution;

- IP42 Protection Class
- The plastic frame material of the product is PA6, halogen-free, and meets the UL94 standard with a V2 fire resistance rating
- Operating voltage of 230/400V AC
- Various configuration options are available, with a maximum current rating of 80A
- It is suitable for mounting 16A, 240V socket type panels (Schuko) and 63A, 415V CEE standard socket type industrial plugs
- It includes a compartment with 11 modules for miniature circuit breakers (MCB) and/or residual current devices (RCD), featuring breakable plates, a padlock attachment, and a transparent cover

## APPLICATIONS



**Factories and Workshops**



**Construction Sites**



**Business Centres and Offices**



**Warehouses**

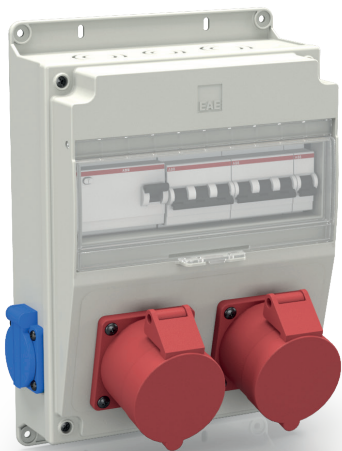


**Car Parks**



**Electrical Installation Areas**

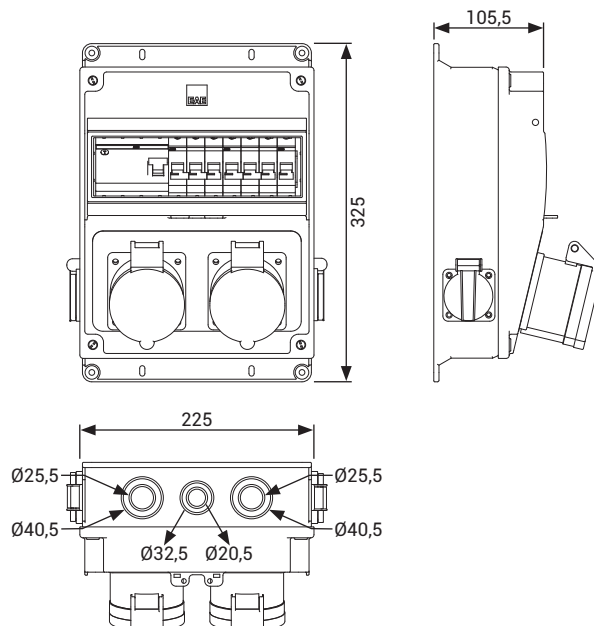
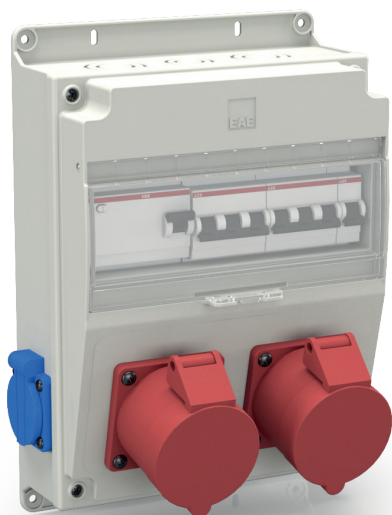




# E-LINE E-BOX SOCKET COMBINATION BOX

## SOCKET COMBINATION

Socket Mounted (Including Components and Cabling)

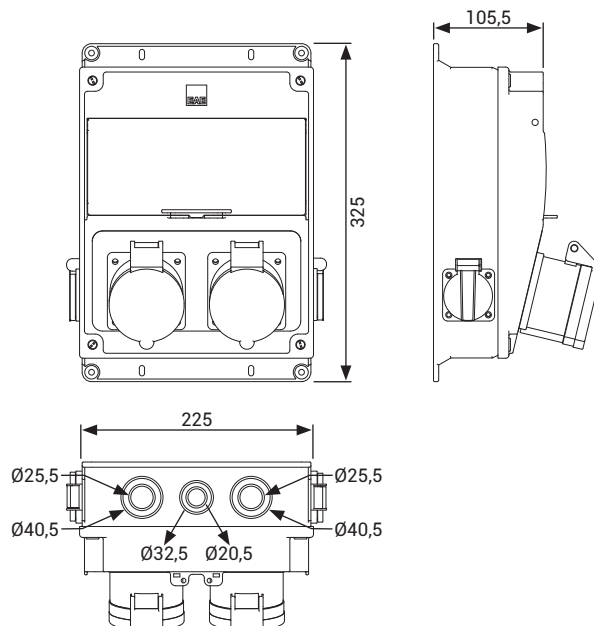


Product	Sockets	RCD 30mA	MCB	Weight (kg)	Order Code
E-BOX F-01	<ul style="list-style-type: none"> <li>• 2 pcs. 1x16A P+N+E</li> <li>• 2 pcs. 5x32A 3P+N+E</li> </ul>	4X40A	<ul style="list-style-type: none"> <li>• 1P 1 pc. 16A/C 6kA</li> <li>• 3P 2 pcs. 32A/C 6kA</li> </ul>	2,912	3363268
E-BOX F-02	<ul style="list-style-type: none"> <li>• 2 pcs. 1x16A P+N+E</li> <li>• 2 pcs. 5x16A 3P+N+E</li> </ul>	4X25A	<ul style="list-style-type: none"> <li>• 1P 1 pc. 16A/C 6kA</li> <li>• 3P 2 pcs. 16A/C 6kA</li> </ul>	2,598	3363269
E-BOX F-03	<ul style="list-style-type: none"> <li>• 2 pcs. 1x16A P+N+E</li> <li>• 2 pcs. 3x16A 2P+E</li> </ul>	2X25A	<ul style="list-style-type: none"> <li>• 1P 3 pcs. 16A/C 6kA</li> </ul>	1,96	3363270
E-BOX F-04	<ul style="list-style-type: none"> <li>• 2 pcs. 1x16A P+N+E</li> <li>• 1 pc. 5x16A 3P+N+E</li> <li>• 1 pc. 5x32A 3P+N+E</li> </ul>	4X40A	<ul style="list-style-type: none"> <li>• 1P 1 pc. 16A/C 6kA</li> <li>• 3P 1 pc. 16A/C 6kA</li> <li>• 3P 1 pc. 32A/C 6kA</li> </ul>	2,767	3363272
E-BOX F-05	<ul style="list-style-type: none"> <li>• 2 pcs. 1x16A P+N+E</li> <li>• 1 pc. 5x63A 3P+N+E</li> </ul>	4X80A	<ul style="list-style-type: none"> <li>• 1P 1 pc. 16A/C 6kA</li> <li>• 3P 1 pc. 63A/C 6kA</li> </ul>	2,832	3363267
E-BOX F-06	<ul style="list-style-type: none"> <li>• 2 pcs. 1x16A P+N+E</li> <li>• 1 pc. 5x32A 3P+N+E</li> </ul>	4X40A	<ul style="list-style-type: none"> <li>• 1P 1 pc. 16A/C 6kA</li> <li>• 3P 1 pc. 32A/C 6kA</li> </ul>	2,286	3363271
E-BOX F-07	<ul style="list-style-type: none"> <li>• 2 pcs. 1x16A P+N+E</li> <li>• 1 pc. 5x16A 3P+N+E</li> </ul>	4X25A	<ul style="list-style-type: none"> <li>• 1P 1 pc. 16A/C 6kA</li> <li>• 3P 1 pc. 16A/C 6kA</li> </ul>	2,117	3363273

# E-LINE E-BOX SOCKET COMBINATION BOX

## SOCKET COMBINATION

### Socket Mounted

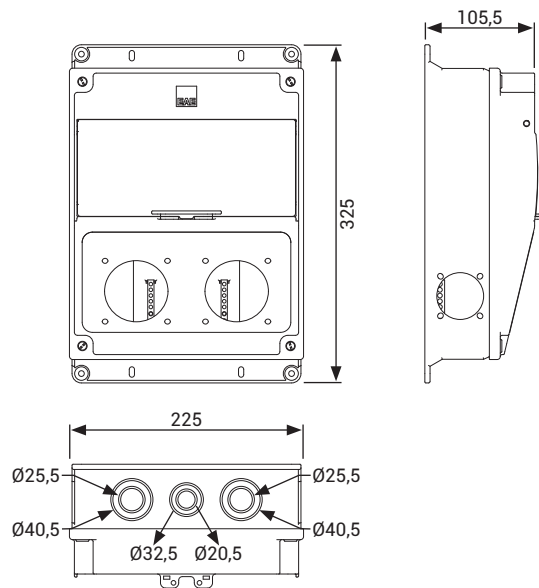


Product	Sockets	Weight (kg)	Order Code
E-BOX P-01	Schuko 1x16A, 240V AC, IP54, Alm.Std. P/N/E; 2 pcs. CEE Std. 5x32A, 415V AC, IP-44, 3P/N/E; 2 pcs.	1,424	3363275
E-BOX P-02	Schuko 1x16A, 240V AC, IP54, Alm.Std. P/N/E; 2 pcs. CEE Std. 5x16A, 415V AC, IP-44, 3P/N/E; 2 pcs.	1,362	3363276
E-BOX P-03	Schuko 1x16A, 240V AC, IP54, Alm.Std. P/N/E; 2 pcs. CEE Std. 3x16A, 250V AC, IP-44, 2P/E; 2 pcs.	1,276	3363277
E-BOX P-04	Schuko 1x16A, 240V AC, IP54, Alm.Std. P/N/E; 2 pcs. CEE Std. 5x16A, 415V AC, IP-44, 3P/N/E; 1 pc. CEE Std. 5x32A, 415V AC, IP-44, 3P/N/E; 1 pc.	1,393	3363279
E-BOX P-05	Schuko 1x16A, 240V AC, IP54, Alm.Std. P/N/E; 2 pcs. CEE Std. 5x63A, 415V AC, IP-44, 3P/N/E; 1 pc.	1,581	3363274
E-BOX P-06	Schuko 1x16A, 240V AC, IP54, Alm.Std. P/N/E; 2 pcs. CEE Std. 5x32A, 415V AC, IP-44, 3P/N/E; 1 pc.	1,229	3363278
E-BOX P-07	Schuko 1x16A, 240V AC, IP54, Alm.Std. P/N/E; 2 pcs. CEE Std. 5x16A, 415V AC, IP-44, 3P/N/E; 1 pc.	1,198	3363280

# E-LINE E-BOX SOCKET COMBINATION BOX

SOCKET COMBINATION

Empty



Product	Description	Weight (kg)	Order Code
E-BOX B-01	2 Pieces (Ø60 mm Slot) 2 Pieces lateral slots (Ø45 mm Slot)	0,92	3363265
E-BOX B-02	1 Piece (Ø85 mm Slot) 2 Pieces lateral slots (Ø45 mm Slot)	0,93	3363266
E-BOX B-03	1 Piece (Ø60 mm Slot) 2 Pieces lateral slots (Ø45 mm Slot)	0,92	3364618





EAE Elektrik A.S.  
Akcaburgaz Mahallesi,  
3114. Sokak, No:10 34522  
Esenyurt - Istanbul - TURKEY  
Tel: +90 (212) 866 20 00  
Fax: +90 (212) 886 24 20

Please visit our website for the updated version of our catalogues.  
[www.eaeelectric.com](http://www.eaeelectric.com)



Catalogue 82-Eng. / Rev 01 1000 Pcs. 02/01/2025  
N.G.

EAE has full right to make any revisions or changes on this catalogue without any prior notice.

