



# FIRE RESISTANT SYSTEMS

## CABLE TRAY SYSTEMS



# FIRE RESISTANT SYSTEMS

Please visit our website for the updated version of our catalogues.  
[www.eaeelectric.com](http://www.eaeelectric.com)



# CONTENTS

---

## ▶▶ INFO

---

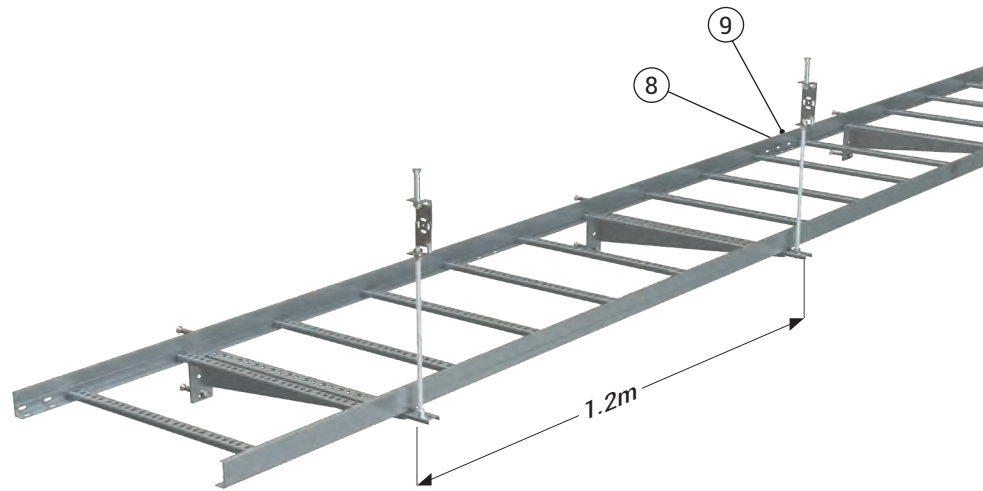
2010 Fire Test Report System .....	2-7
2014 Fire Test Report System .....	8-16
2016 Fire Test Report System .....	17-26
2018 Fire Test Report System .....	27-39
2021 Fire Test Report System .....	40-50

# FIRE RESISTANT SYSTEMS

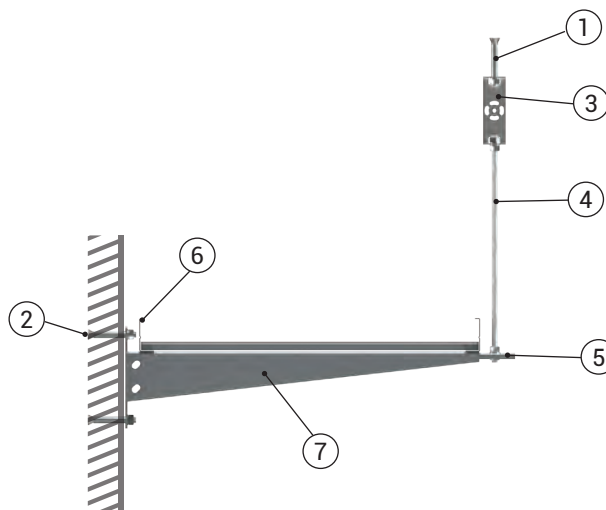
## ►►2010 Fire Test Report System-1



Test Parameters	
Support Distance	1,2 m
Maximum Load	20 kg/m
Height (H)	60 mm
Width (W)	600 mm



Order code	No	Material List
5000033	1	M8 x 75 Dowel
5000022	2	M12 x 90 Dowel
3191265	3	L adjustable fixing unit
5000169	4	M8 x 500 Threaded rod
3008581	5	ASU1A-1
3025400	6	60 KMA 600 Cable Ladder
3007926	7	STS-D 600
3006941	8	60 KM Joint Fitting
1004314	9	M6 X 12 Joint Set

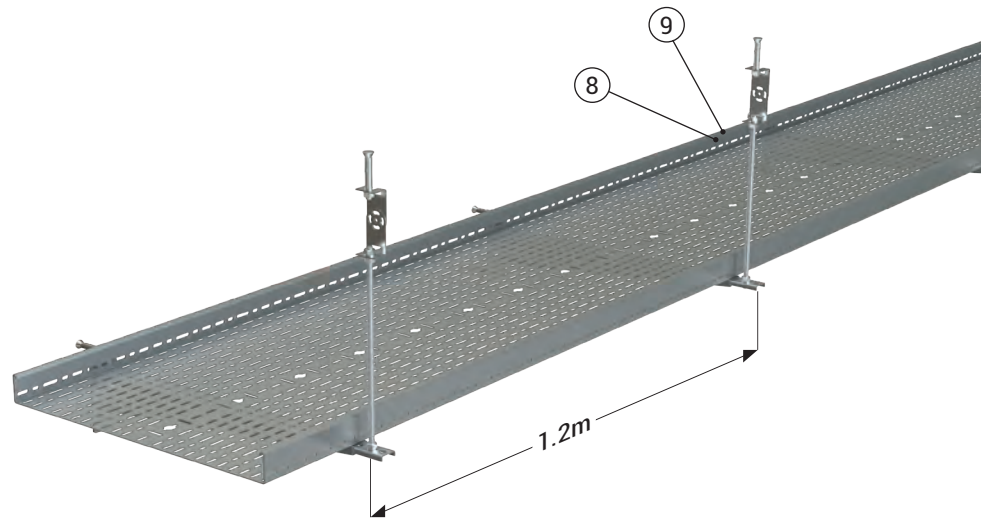


Tested Cable Parameters				
Manufacturer	Type	Class	Cable size (mm)	Installation Type
Electro-Draad BV.	YMzK-FB 90	E90	4x16	Ceilling + Wall
Electro-Draad BV.	YMzK-FB 90	E90	4x50	Ceilling + Wall
Electro-Draad BV.	YMzK-FB 90	E60	4x1,5	Ceilling + Wall
Electro-Draad BV.	SMzK-FB 30-60	E90	4x1.5	Ceilling + Wall
Electro-Draad BV.	SMzK-FB 30-60	E90	4x16	Ceilling + Wall

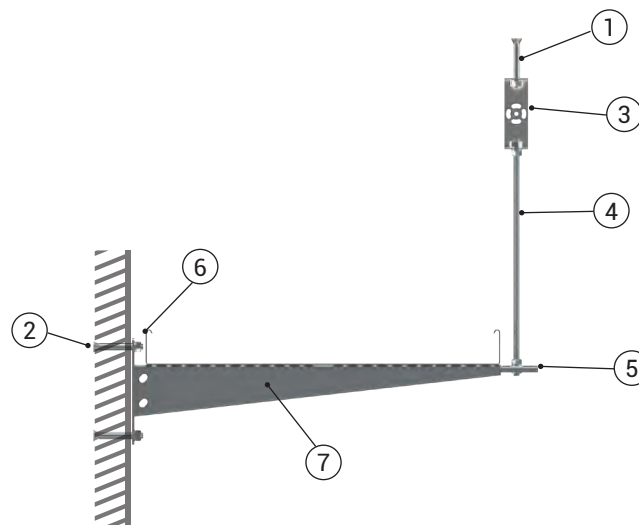
# FIRE RESISTANT SYSTEMS

## ►►2010 Fire Test Report System-2

Test Parameters	
Support Distance	1,2 m
Maximum Load	10 kg/m
Height (H)	60 mm
Width (W)	600 mm



Order code	No	Material List
5000033	1	M8 x 75 Dowel
5000022	2	M12 x 90 Dowel
3191265	3	L adjustable fixing unit
5000169	4	M8 x 500 Threaded rod
3008581	5	ASU1A-1
3000107	6	60 CTA 600 Cable Tray
3007926	7	STS-D 600
3006941	8	60 KM Joint Fitting
1004314	9	M6 X 12 Joint Set



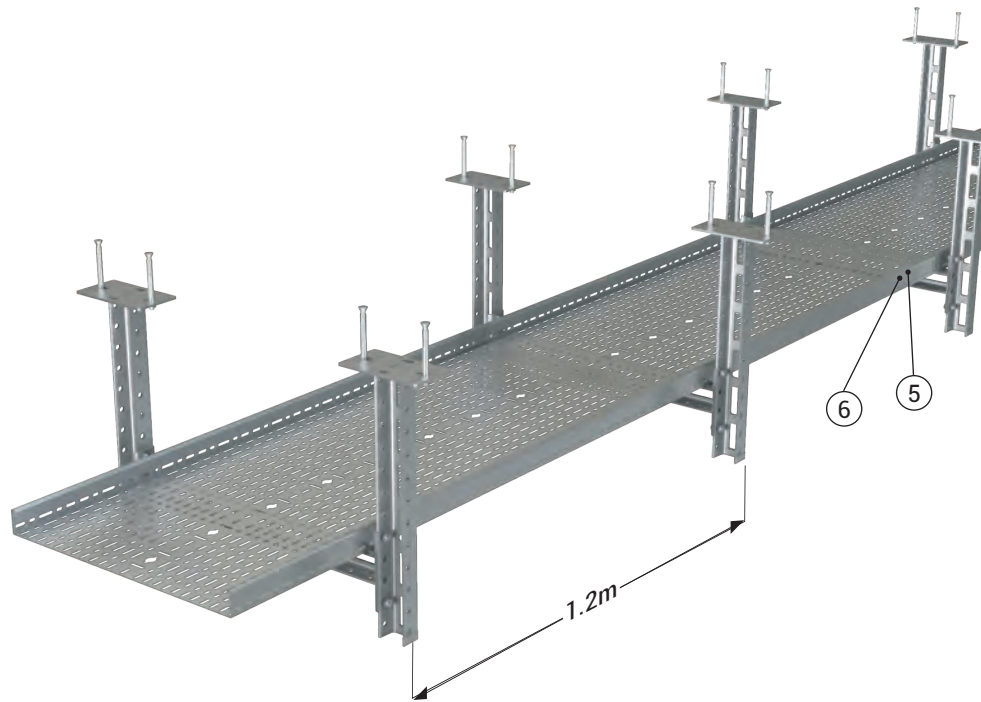
Tested Cable Parameters				
Manufacturer	Type	Class	Cable size (mm)	Installation Type
Electro-Draad BV.	YMzK-FB 90	E30	4x50	Ceilling + Wall
Electro-Draad BV.	YMzK-FB 90	E30	4x16	-
Electro-Draad BV.	YMzK-FB 90	E30	4x1.5	-
Electro-Draad BV.	SMzK-FB 30-60	E30	4x16	Ceilling + Wall
Electro-Draad BV.	JS(st)H-FB 30-60	E30	1X2X0,8+0,8	Ceilling + Wall
Electro-Draad BV.	JS(st)H-FB 30-60	E30	1X2X1,5+0,8	Ceilling + Wall

# FIRE RESISTANT SYSTEMS

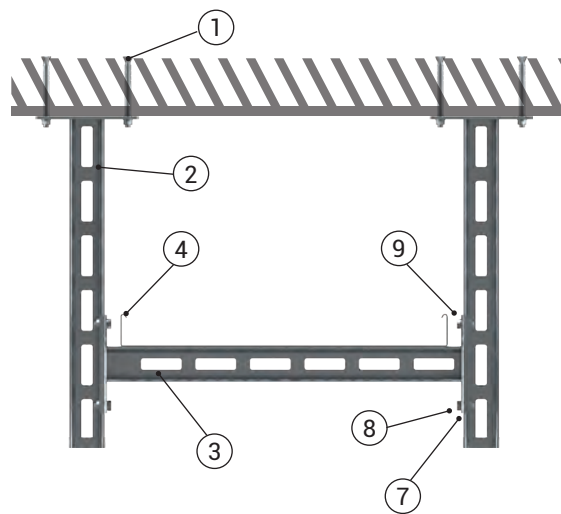
## ►►2010 Fire Test Report System-3



Test Parameters	
Support Distance	1,2 m
Maximum Load	10 kg/m
Height (H)	60 mm
Width (W)	600 mm



Order code	No	Material List
5000022	1	M12 x 90 Dowel
3008009	2	UDD 1500 Console
3007992	3	UDYB 600 Console
3000107	4	60 CTA 600 Cable Tray
3006941	5	60 KM Joint Fitting
1004314	6	M6 X 12 Joint Set
5000566	7	M10 X 30 Bolt
1000504	8	M10 Washer
1000522	9	M10 Nut



### Tested Cable Parameters

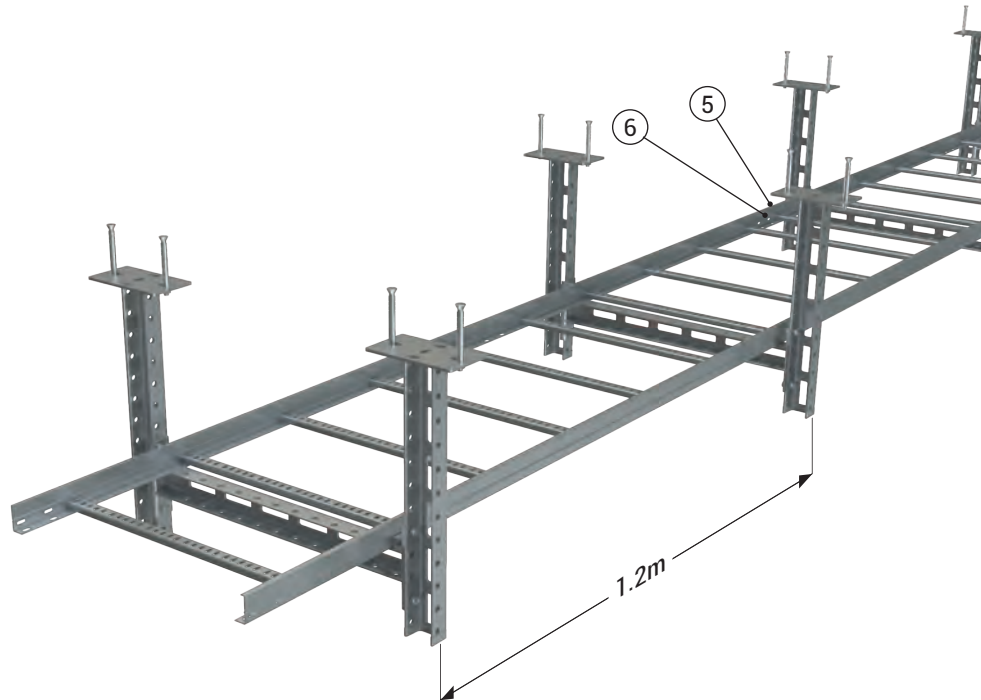
Manufacturer	Type	Class	Cable size (mm)	Installation Type
Electro-Draad BV.	JS(st)H-FB 30-60	E30	1X2X1.5+0.8	Ceiling
Electro-Draad BV.	JS(st)H-FB 30-60	E30	1X2X0.8+0.8	Ceiling
Electro-Draad BV.	SMzK-FB 30-60	E60	4X16	Ceiling
Electro-Draad BV.	SMzK-FB 30-60	E30	4X1.5	Ceiling

# FIRE RESISTANT SYSTEMS

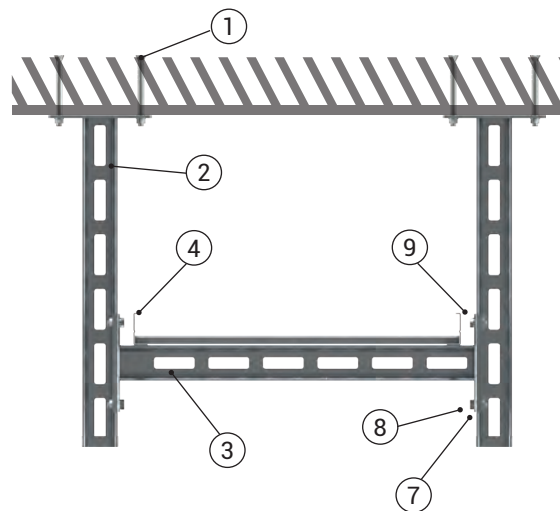
## ►►2010 Fire Test Report System-4



Test Parameters	
Support Distance	1,2 m
Maximum Load	20 kg/m
Height (H)	60 mm
Width (W)	600 mm



Order code	No	Material List
5000022	1	M12 x 90 Dowel
3008009	2	UDD 1500 Console
3007992	3	UDYB 600 Console
3106661	4	60 KMA 600 Cable Ladder
3006941	5	60 KM Joint Fitting
1004314	6	M6 X 12 Joint Set
5000566	7	M10 X 30 Bolt
1000504	8	M10 Washer
1000522	9	M10 Nut



### Tested Cable Parameters

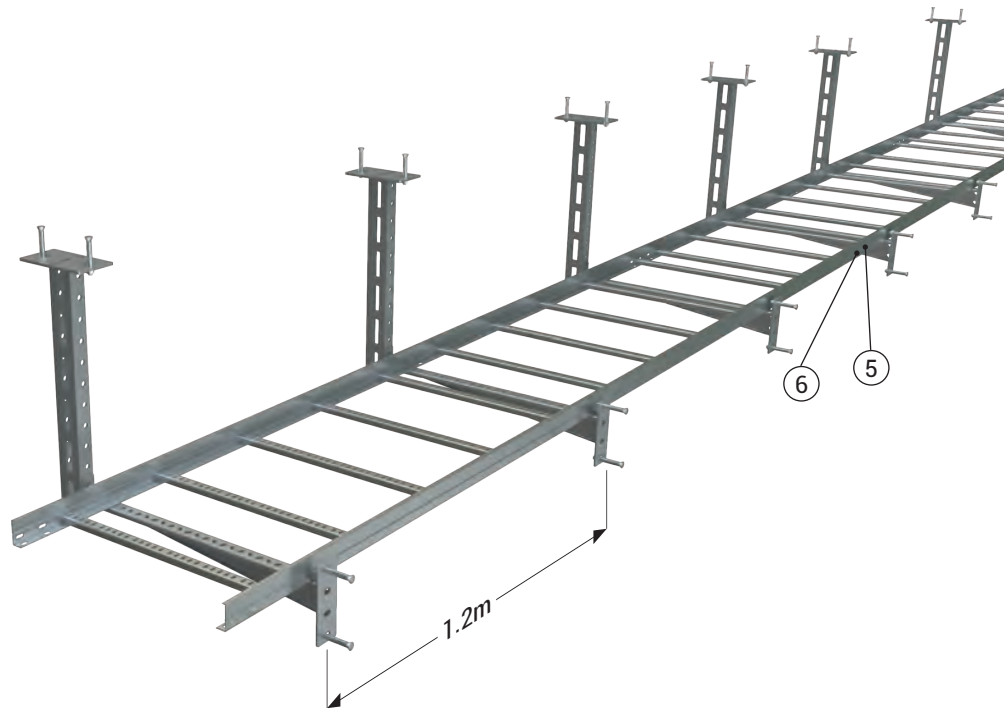
Manufacturer	Type	Class	Cable size (mm)	Installation Type
Electro-Draad BV.	JS(st)H-FB 30-60	E30	1X2X1,5+0,8	Ceiling
Electro-Draad BV.	JS(st)H-FB 30-60	E30	1X2X0,8+0,8	Ceiling
Electro-Draad BV.	SMzK-FB 30-60	E60	4x16	Ceiling
Electro-Draad BV.	SMzK-FB 30-60	E90	4x1.5	Ceiling

# FIRE RESISTANT SYSTEMS

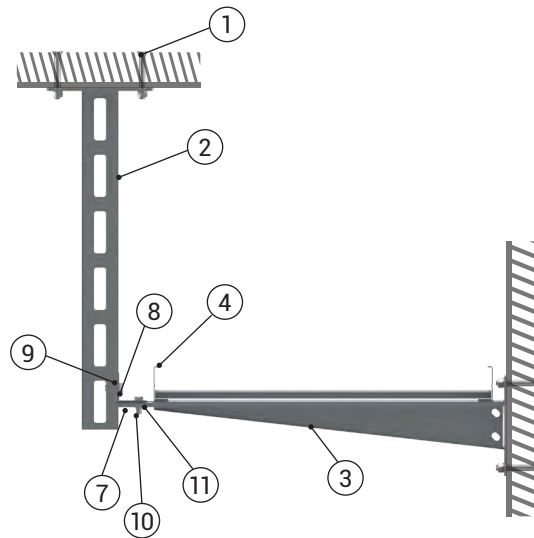
## ►►2010 Fire Test Report System-5



Test Parameters	
Support Distance	1,2 m
Maximum Load	20 kg/m
Height (H)	60 mm
Width (W)	600 mm



Order code	No	Material List
5000022	1	M12 x 90 Dowel
3008000	2	UDD 600 Console
3007926	3	STS-D600 Console
3106661	4	60 KMA 600 Cable Ladder
3006941	5	60 KM Joint Fitting
1004314	6	M6 X 12 Joint Set
3008581	7	ASU 1A-1
3191265	8	Support Connector
1000559	9	M8 X 20 Bolt
1000521	10	M8 Nut
1000502	11	M8 Washer



### Tested Cable Parameters

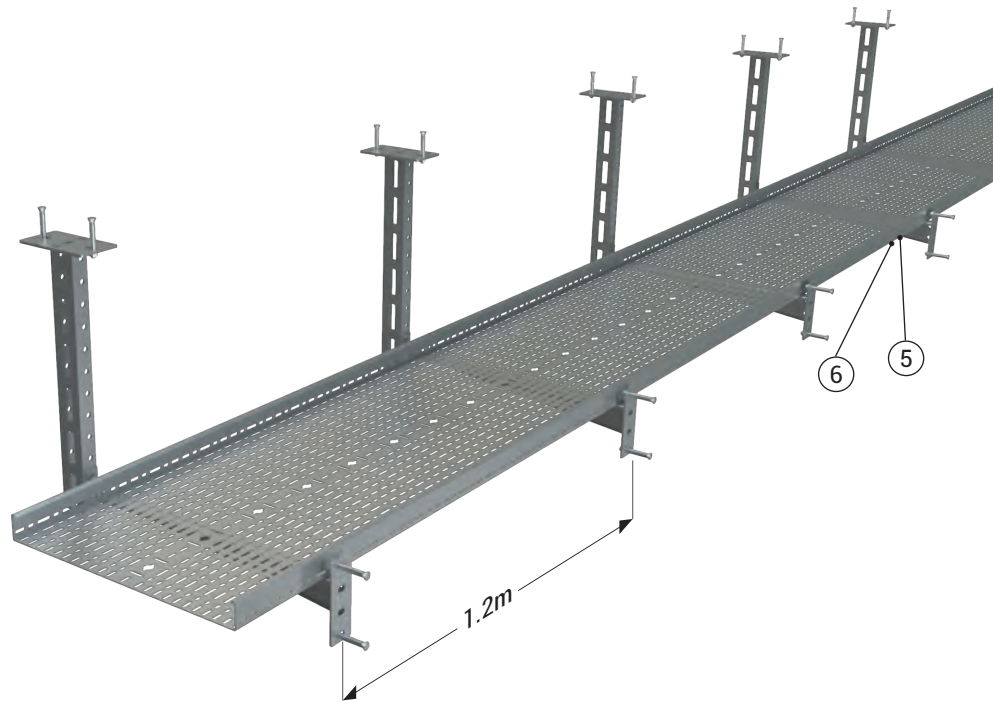
Manufacturer	Type	Class	Cable size (mm)	Installation Type
Electro-Draad BV.	JS(st)H-FB 30-60	E30	1X2X1,5+0,8	Ceilling + Wall
Electro-Draad BV.	JS(st)H-FB 30-60	E30	1X2X0,8+0,8	Ceilling + Wall
Electro-Draad BV.	SMzK-FB 30-60	E90	4X1.5	Ceilling + Wall
Electro-Draad BV.	SMzK-FB 30-60	E30	4X16	Ceilling + Wall
Electro-Draad BV.	YMzK-FB 90	E30	4X50	Ceilling + Wall
Electro-Draad BV.	YMzK-FB 90	E30	4X16	Ceilling + Wall
Electro-Draad BV.	YMzK-FB 90	E30	4X1,5	Ceilling + Wall



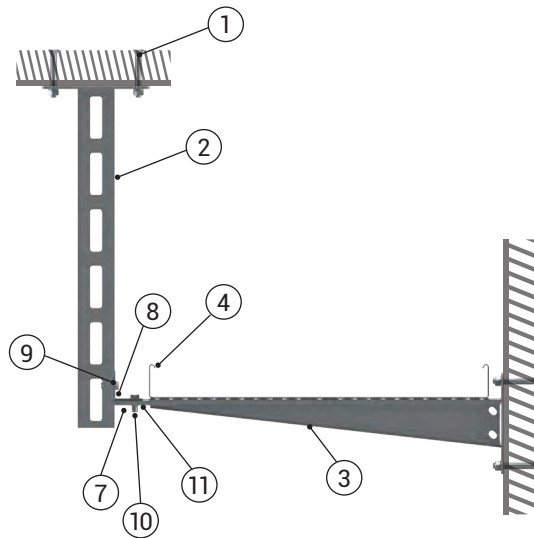
# FIRE RESISTANT SYSTEMS

## ►►2010 Fire Test Report System-6

Test Parameters	
Support Distance	1,2 m
Maximum Load	10 kg/m
Height (H)	60 mm
Width (W)	600 mm



Order code	No	Material List
5000022	1	M12 x 90 Dowel
3008000	2	UDD 600 Console
3007926	3	STS-D600 Console
3000107	4	60 CTA 600 Cable Ladder
3006941	5	60 KM Joint Fitting
1004314	6	M6 X 12 Joint Set
3008581	7	ASU 1A-1
3191265	8	Support Connector
1000559	9	M8 X 20 Bolt
1000521	10	M8 Nut
1000502	11	M8 Washer



### Tested Cable Parameters

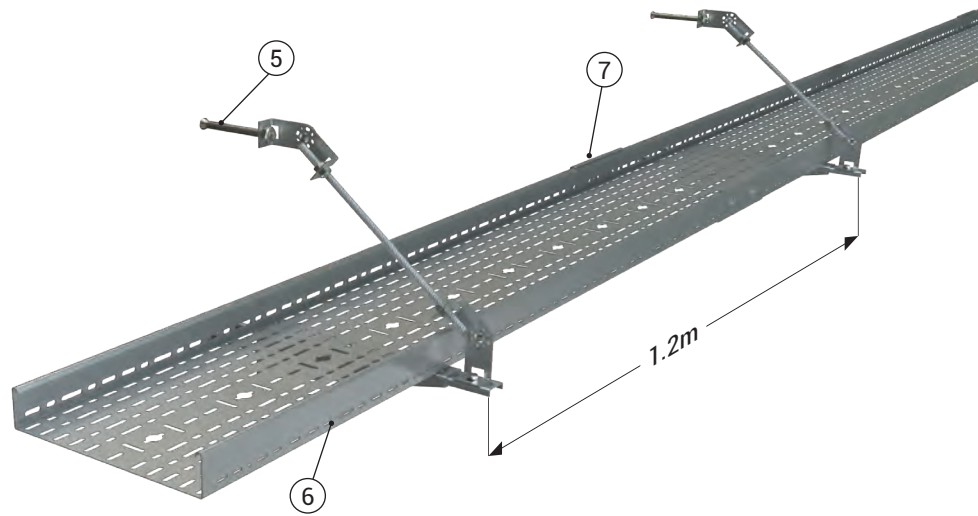
Manufacturer	Type	Class	Cable size (mm)	Installation Type
Electro-Draad BV.	SMzk-FB 30-60	E30	4x16	Ceiling + Wall
Electro-Draad BV.	SMzk-FB 30-60	E90	4x1.5	Ceiling + Wall
Electro-Draad BV.	YMzk-FB 90	E30	4x50	Ceiling + Wall
Electro-Draad BV.	YMzk-FB 90	E30	4X16	Ceiling + Wall
Electro-Draad BV.	YMzk-FB 90	E30	4X1,5	Ceiling + Wall
Electro-Draad BV.	JS(ST)H-FB 30-60	E30	1X2X1,5+0,8	Ceiling + Wall
Electro-Draad BV.	JS(st)H-FB 30-60	E30	1X2X0,8+0,8	Ceiling + Wall

# FIRE RESISTANT SYSTEMS

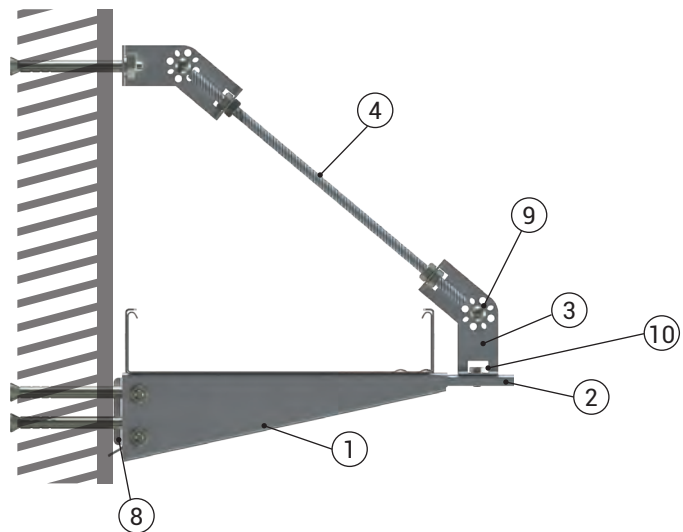
## ►►2014 Fire Test Report System-1



Test Parameters	
Support Distance	1,2 m
Maximum Load	10 kg/m
Height (H)	60 mm
Width (W)	300 mm



Order code	No	Material List
2000800	1	ST300 WALL TYPE TRAY SUPPORT
3008581	2	ASU 1A-1
3191265	3	ADJUSTABLE SUPPORT CONNECTOR
1003013	4	T SUPPORT M10 X 350
5000023	5	JACKETED DOWEL M10 X 85
3000145	6	60 CTH 300 CABLE TRAY (1,5MM)
3127209	7	H60 JOINT CONNECTION
3191265	8	ADJUSTABLE SUPPORT CONNECTOR
1004314	9	KC-CT EXTENSION BOLT M6 X 12
1000566	10	M10 X 30 BOLT SET



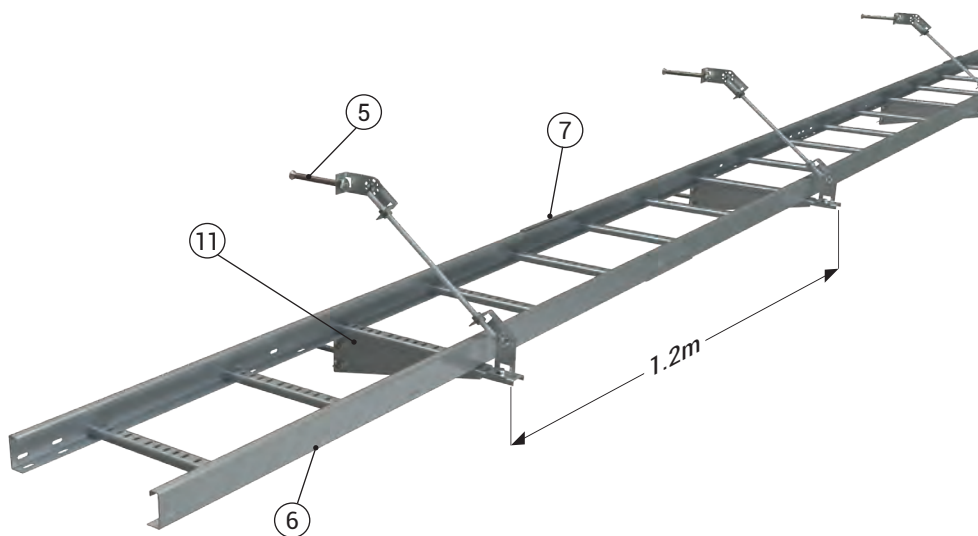
### Tested Cable Parameters

Manufacturer	Type	Class	Cable size (mm)	Installation Type
EUPEN	Eucasafe (N)HXH FE180 E90	E90	5X16	Wall
DATWAYLER	(N)HXH FE180 E90	E30	5x2,5	Wall
BETAflam®	(N)HXH FE180/E90	E30	4X2,5	Wall

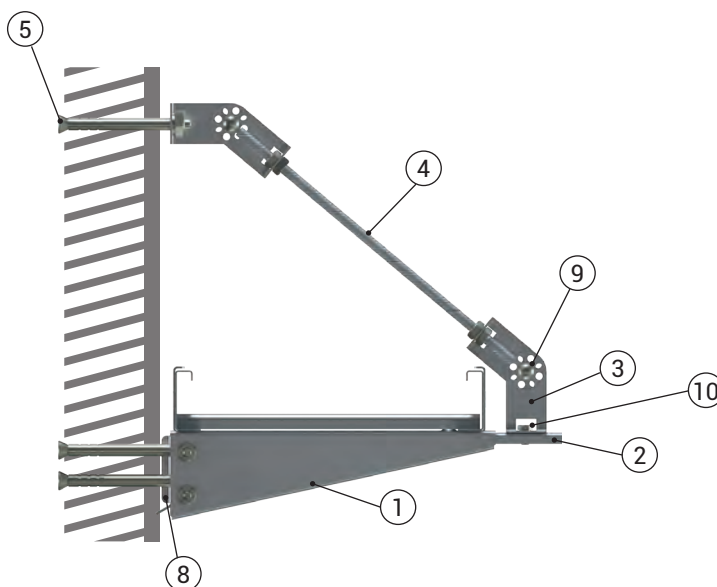
# FIRE RESISTANT SYSTEMS

## ►►2014 Fire Test Report System-2

Test Parameters	
Support Distance	1,2 m
Maximum Load	10 kg/m
Height (H)	100 mm
Width (W)	1000 mm



Order code	No	Material List
2000800	1	ST300 Wall Type Tray Support
3008581	2	ASU 1A-1
3191265	3	Adjustable Support Connector
1003013	4	T Support M10 X 350
5000023	5	Jacketed Dowel M10
3106619	6	60 KCH 300 Cable Ladder
3127209	7	H60 Joint Connection
3191265	8	Adjustable Support Connector
1004314	9	KC-CT Extension Bolt M6 X 12
1000566	10	M10 X 30 Bolt Set
3026173	11	SE1 Connector



### Tested Cable Parameters

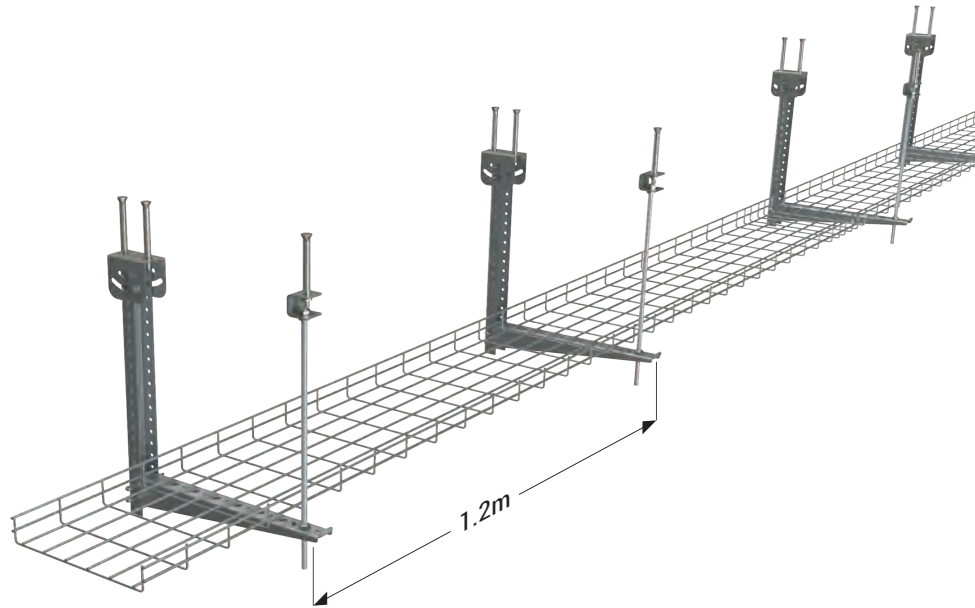
Manufacturer	Type	Class	Cable size (mm)	Installation Type
DATWAYLER	(N)HXH FE180 E90	E30	5x2,5	Wall
BETAflam®	(N)HXH FE180/E90	E30	4x2,5	Wall

# FIRE RESISTANT SYSTEMS

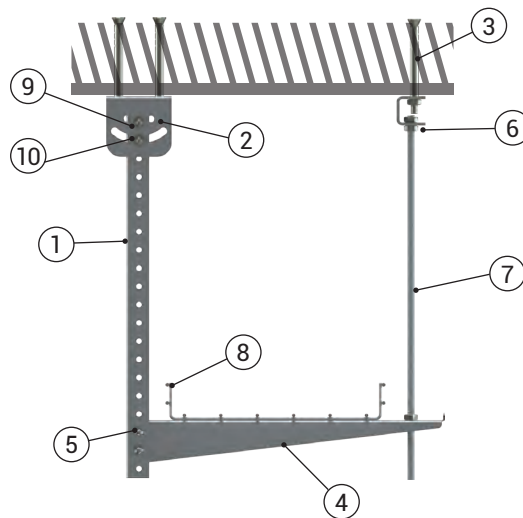
## ►►2014 Fire Test Report System-3



Test Parameters	
Support Distance	1,2 m
Maximum Load	10 kg/m
Height (H)	55 mm
Width (W)	300 mm



Order code	No	Material List
3008584	1	ASU 2A-3 Support Extension Unit
3008379	2	TMP6 Ceiling Support
5000023	3	Jacketed Dowel M10
3008560	4	KT 400 Tray Support
1004314	5	KC-CT Extension Bolt M6 X 12
3000001	6	U Ceiling Mounting Fitting
5000176	7	T Support (M12 X 500)
3194436	8	55 TLS 300 Wire Mesh Tray
1000559	9	M8 X 20 Bolt
1001181	10	M8 Nut



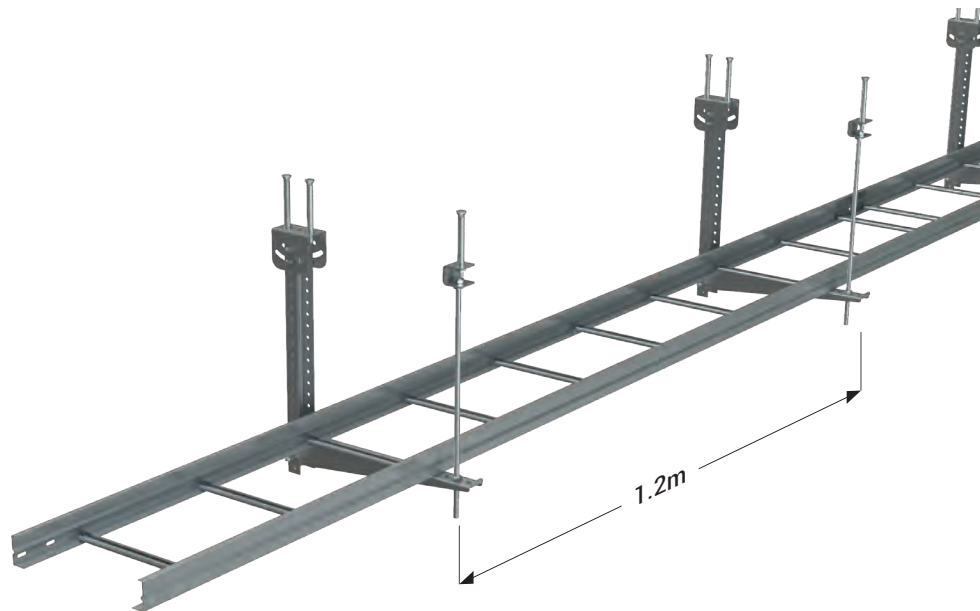
### Tested Cable Parameters

Manufacturer	Type	Class	Cable size (mm)	Installation Type
SIENOPYR	SIENOPYR-PLUS E90 (N)HXHX 5x16 RE	E90	5x16	Ceiling
DATWAYLER	(N)HXH FE180 E90 5x16 RM	E60	5x16	Ceiling

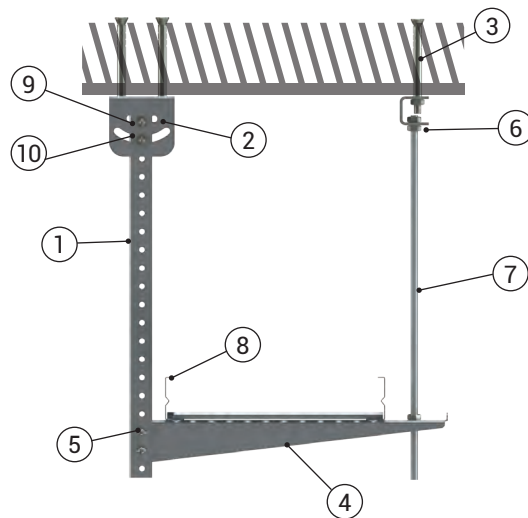
# FIRE RESISTANT SYSTEMS

## ►►2014 Fire Test Report System-4

Test Parameters	
Support Distance	1,2 m
Maximum Load	20 kg/m
Height (H)	50 mm
Width (W)	300 mm



Order code	No	Material List
3008584	1	ASU 2A-3 Support Extension Unit
3008379	2	TMP6 Ceiling Support
5000023	3	Jacketed Dowel M10
3008560	4	KT 400 Tray Support
1004314	5	KC-CT Extension Bolt M6 X 12
3000001	6	U Ceiling Mounting Fitting
5000176	7	T Support (M12 X 500)
3106613	8	50 KMH 300 Cable Ladder
1000559	9	M8 X 20 Bolt
1001181	10	M8 Nut



### Tested Cable Parameters

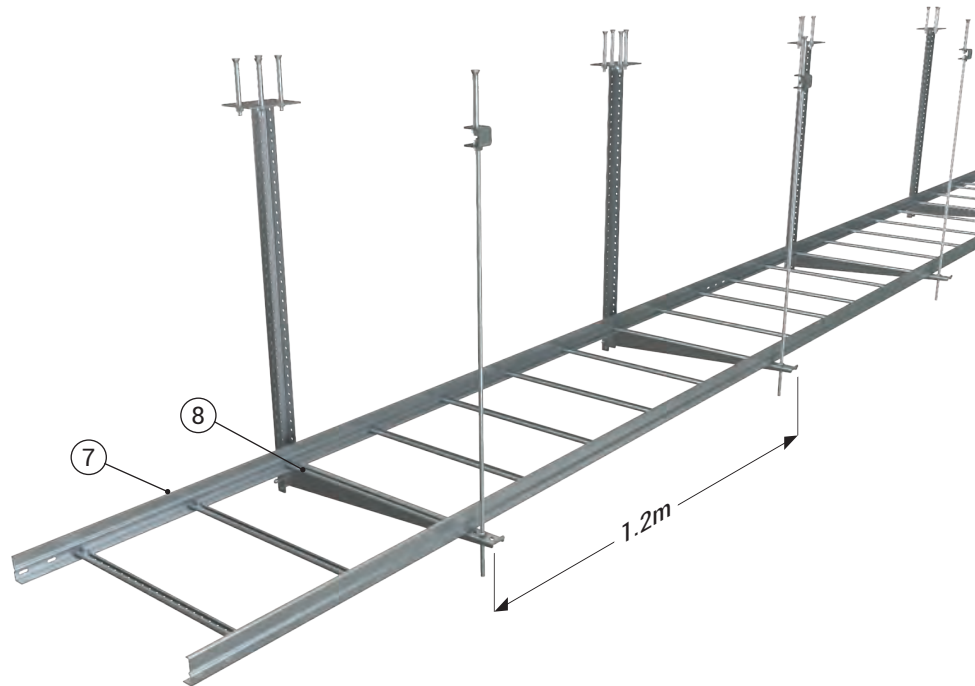
Manufacturer	Type	Class	Cable size (mm)	Installation Type
DATWAYLER	(N)HXH FE180 E90 5x16 RM	E30	5x16	-
SIENOPYR	E90 (N)HXHX 4x2,5 RE	E30	4x2,5	-
EUCASAFE	NHXH FE180 E90 5x2,5 RE	E30	5x2,5	-

# FIRE RESISTANT SYSTEMS

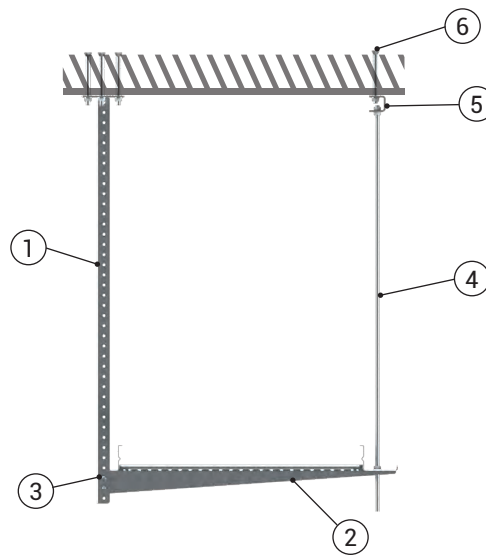
## ►►2014 Fire Test Report System-5



Test Parameters	
Support Distance	1,2m
Maximum Load	20kg/m
Height (H)	60mm
Width (W)	600mm



Order code	No	Material List
3008235	1	TMP44 Ceiling Support Nut
3191265	2	KT 700 Tray Support
1004314	3	KC-CT Extension Bolt M6 X 12
5001196	4	T Support M12X1000
3000001	5	U Ceiling mounting fitting
5000023	6	M10 Dowel
3025400	7	60 KM 600 Cable Ladder
3026173	8	SE1 Connector

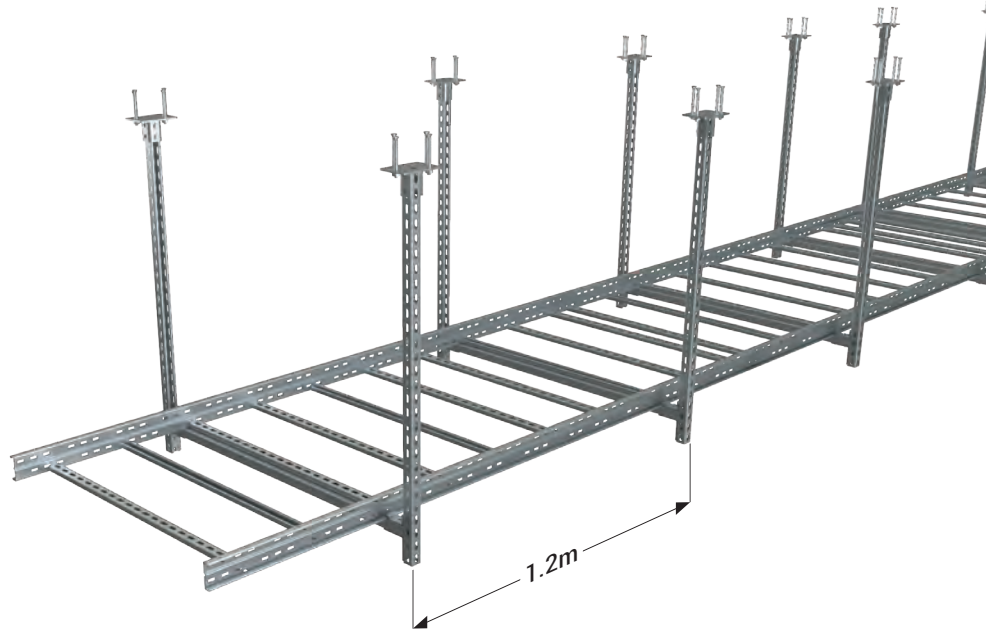


Tested Cable Parameters				
Manufacturer	Type	Class	Cable size (mm)	Installation Type
DATWAYLER	(N)HXH FE180 E90 4x25 RM	E30	4x25	-
SIENOPYR	SIENOPYR-PLUS E90 (N)HXHX 5x16 RE	E30	5x16	-

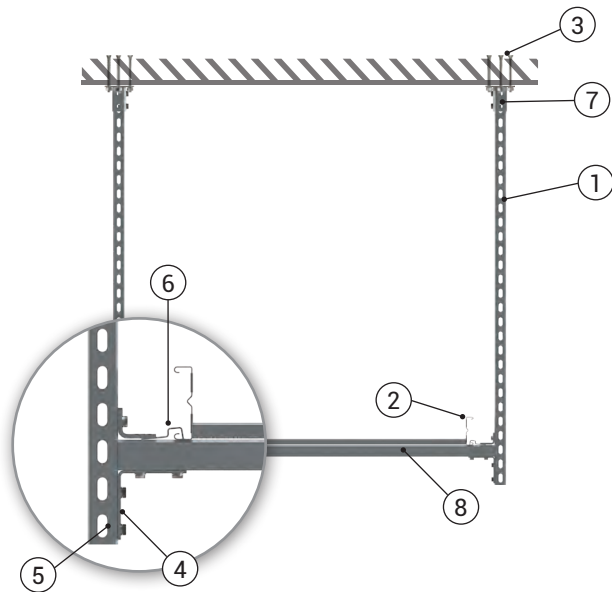
# FIRE RESISTANT SYSTEMS

## ►►2014 Fire Test Report System-6

Test Parameters	
Support Distance	1,2 m
Maximum Load	20 kg/m
Height (H)	100 mm
Width (W)	1100 mm



Order code	No	Material List
3005313	1	BR452 BINRAK Channel
3125369	2	100 KCA OG 1100 Cable Ladder (2mm)
5000023	3	Jaketed Dowel M10 X 85
3000203	4	BR1-15 Blend Four Hole Fitting El.
1021246	5	Spring Nut M10
3026173	6	SE-1
3000209	7	BR1-30 Base Fixing Single
3005460	8	BR 451BINRAK Channel



### Tested Cable Parameters

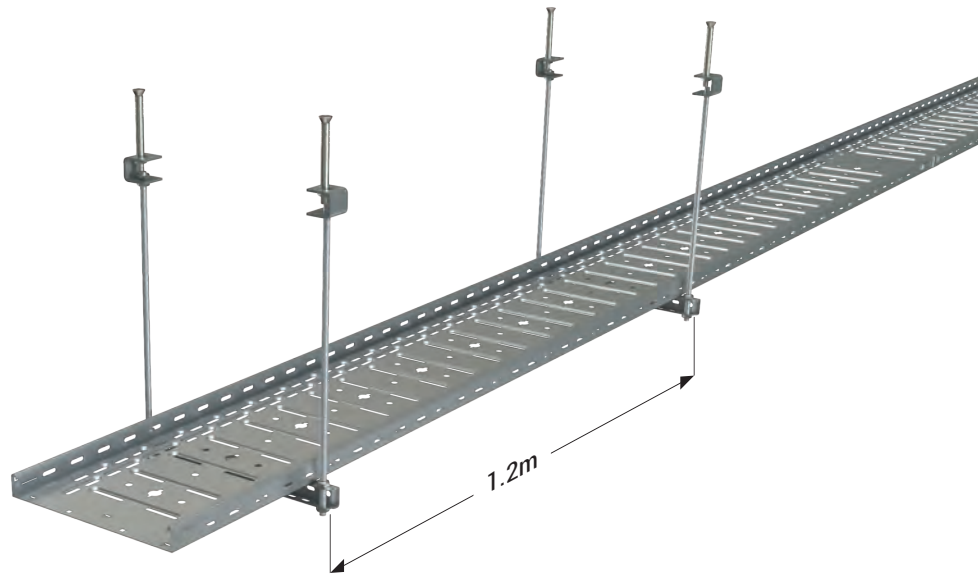
Manufacturer	Type	Class	Cable size (mm)	Installation Type
SIENOPYR	SIENOPYR-PLUS E90 (N)HXCHX 4x50 RM/25	E90	4x50+25	Ceiling
DATWAYLER	(N)HXH FE180 E90 4x25 RM	E30	4x25	Ceiling
DATWAYLER	(N)HXH FE180 E90 5x16 RM	E30	5x16	Ceiling
BETAflam	NHXCH FE180/E90 4x25RM/16	E60	4x25+16	Ceiling
EUCASAFE	NHXH FE180 E90 4x2,5 RE	E30	4x2,5	Ceiling

# FIRE RESISTANT SYSTEMS

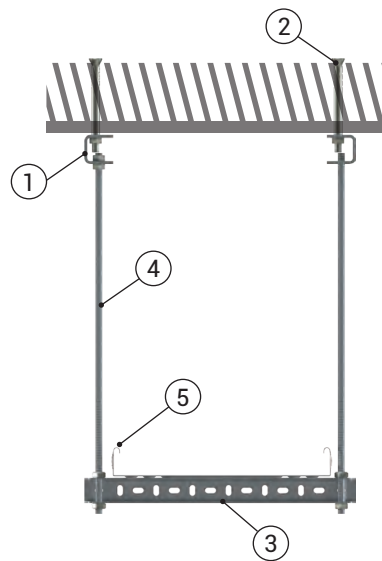
## ►►2014 Fire Test Report System-7



Test Parameters	
Support Distance	1,2 m
Maximum Load	10 kg/m
Height (H)	40 mm
Width (W)	300 mm



Order code	No	Material List
3000001	1	U Ceiling mounting fitting
5000023	2	M10 X 85Dowel
3007941	3	AT4300 Trapaze Hanger
5000172	4	M10 x 500 Threaded rod
3047900	5	40 UKFG 300 Cable Tray (0,7mm)



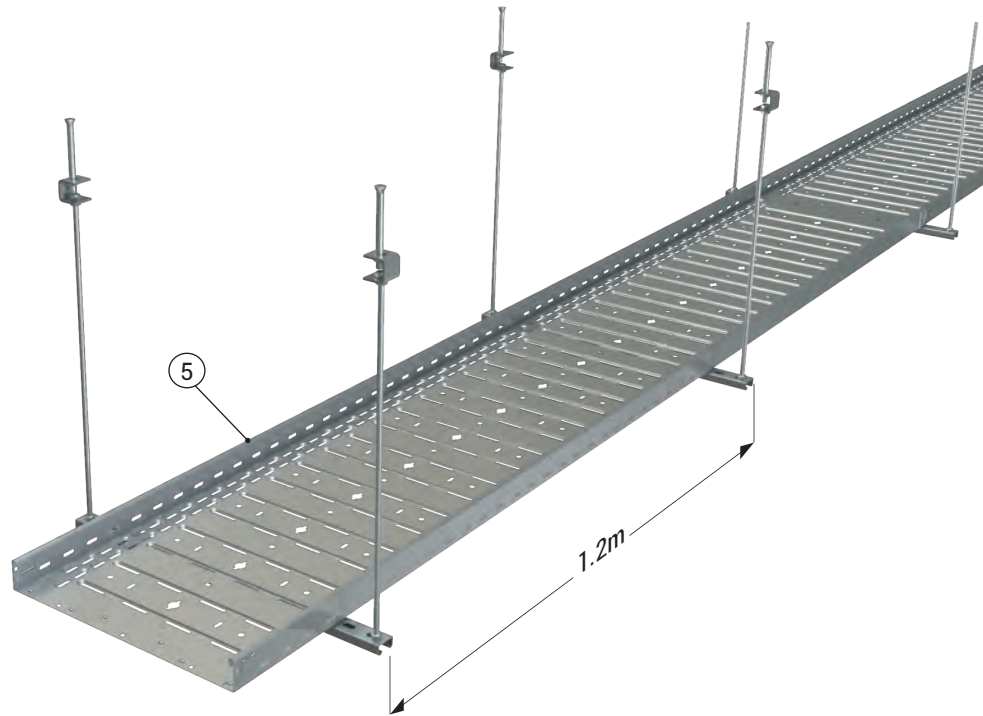
Tested Cable Parameters				
Manufacturer	Type	Class	Cable size (mm)	Installation Type
LEONI-STUDER	BETAflam NHXCH FE180/E90 4x25RM/16	E90	4x25+16	Ceiling
LEONI-STUDER	BETAflam NHXH FE180/E90 5x16 RM	E90	5x16	Ceiling
LEONI-STUDER	BETAflam (N)HXH FE180/E90 4x2,5 RE	E90	4x2,5	Ceiling
EUPEN	EUCASAFE (N)HXH FE180 E90 5x16 RM	E90	5x16	Ceiling
DATWAYLER	(N)HXH FE180 E90 4x2,5 RE	E30	4x2,5	Ceiling



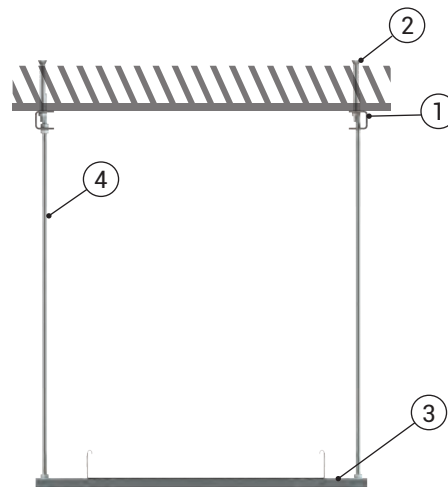
# FIRE RESISTANT SYSTEMS

## ►►2014 Fire Test Report System-8

Test Parameters	
Support Distance	1,2 m
Maximum Load	10 kg/m
Height (H)	60 mm
Width (W)	500 mm



Order code	No	Material List
3000001	1	U Ceiling mounting fitting
5000023	2	M10 Dowel
3008331	3	BR201 (41 X 21 X 1,5) L:700mm)
5000175	4	M10 x 2000 Threaded rod
3047905	5	60 UKFG 500 Cable Tray (0,9mm)



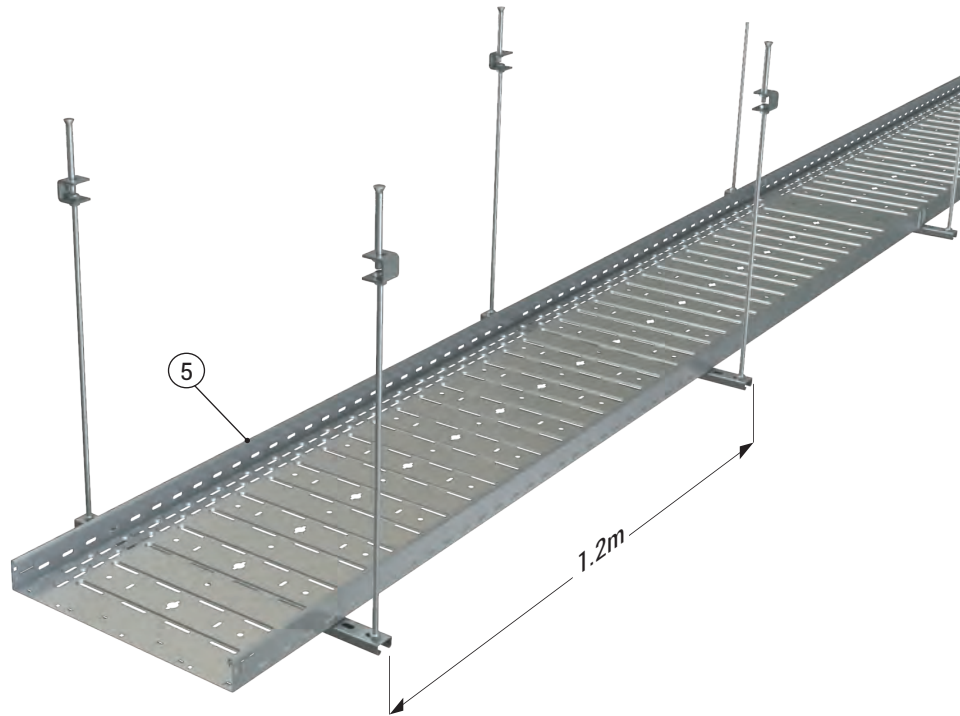
Tested Cable Parameters				
Manufacturer	Type	Class	Cable size (mm)	Installation Type
LEONI-STUDER	BETAflam NHXH FE180/E90 5x16 RM	E90	5x16	Ceiling
LEONI-STUDER	BETAflam NHXCH FE180/E90 4x25 RM/16	E90	4x25+16	Ceiling
DATWAYLER	(N)HXH FE180 E90 4x2,5RE	E90	4x2,5	Ceiling
DATWAYLER	(N)HXH FE180 E90 5x2,5RE	E90	5x2,5	Ceiling
EUPEN	EUCASAFE (N)HXH FE180 E90 5x16RM	E90	5x16	Ceiling
SIENOPYR	SIENOPYR-PLUS E90 (N)HXHX 5x2,5 RE	E30	5x2,5	Ceiling

# FIRE RESISTANT SYSTEMS

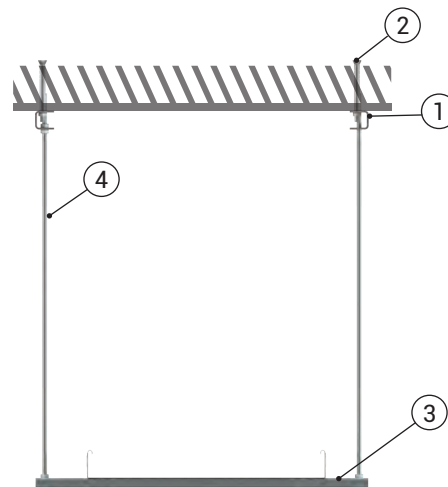
## ►►2014 Fire Test Report System-9



Test Parameters	
Support Distance	1,2 m
Maximum Load	10 kg/m
Height (H)	60 mm
Width (W)	600 mm



Order code	No	Material List
3000001	1	U Ceiling mounting fitting
5000023	2	M10 Dowel
3008331	3	BR201 (41 X 21 X 1,5) L:700mm)
5000175	4	M10 x 2000 Threaded rod
3127200	5	60 CTHF-E 600 Cable Tray (1,5mm)



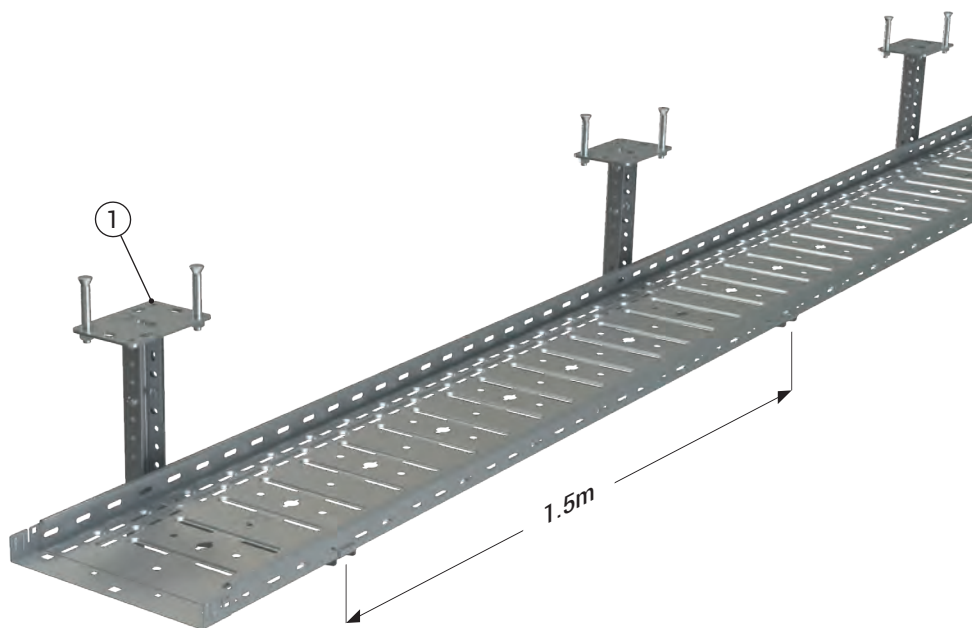
### Tested Cable Parameters

Manufacturer	Type	Class	Cable size (mm)	Installation Type
LEONI-STUDER	BETAflam NHXH FE180/E90 5x16 RM	E90	5x16	Ceiling
DATWAYLER	(N)HXH FE180 E90 4x2,5RE	E90	4x2,5	Ceiling
LEONI-STUDER	BETAflam NHXCH FE180/E90 4x25 RM/16	E90	4x25+16	Ceiling
SIENOPYR	SIENOPYR-PLUS E90 (N)HXHX 5x2,5 RE	E30	5x2,5	Ceiling

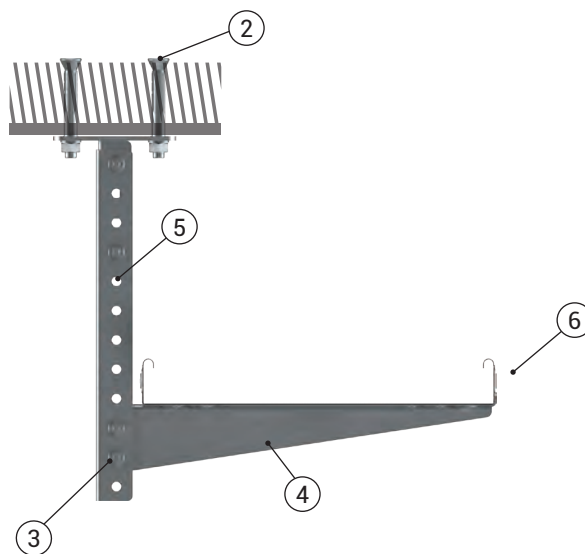
# FIRE RESISTANT SYSTEMS

## ►►2016 Fire Test Report System-1

Test Parameters	
Support Distance	1,5 m
Maximum Load	10 kg/m
Height (H)	40 mm
Width (W)	300 mm



Order code	No	Material List
3008382	1	TMP8 Mounting
5000023	2	M10 Dowel
1004314	3	M12 X 6 Bolt Set
3008563	4	KT 300 Console
3008585	5	ASU 2A-3 500
3047900	6	40 UKFG 300 Cable Tray



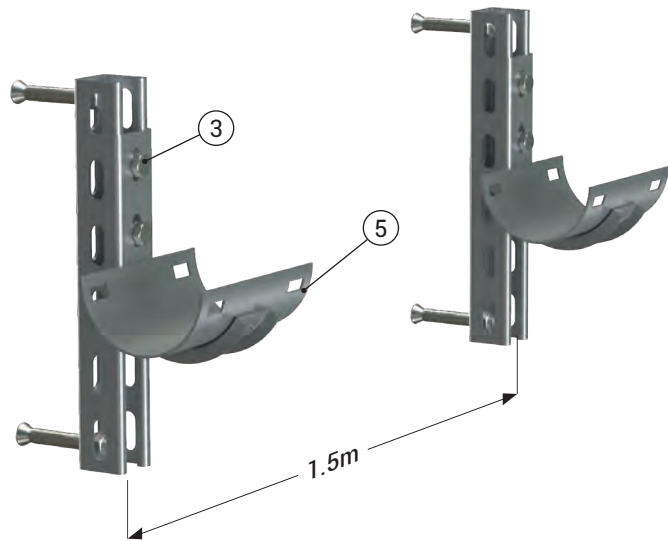
### Tested Cable Parameters

Manufacturer	Type	Class	Cable size (mm)	Installation Type
FABER KABER	(N)HXCH FE180 / E90	E90	4X1,5	Ceiling
FABER KABER	(N)HXH-J FE180 / E90	E90	4X1,5	Ceiling

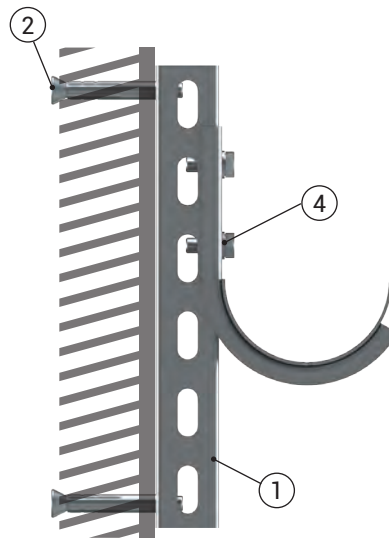
# FIRE RESISTANT SYSTEMS

## ►►2016 Fire Test Report System-2

Test Parameters	
Support Distance	1,5 m
Maximum Load	10 kg/m
Height (H)	-
Width (W)	-



Order code	No	Material List
3005313	1	BR452 BINRAK CHANNEL
5000023	2	M10 Dowel
1000566	3	M10 BOLT
1001312	4	M10 SPRING NUT
3004338	5	OG CONSOLE



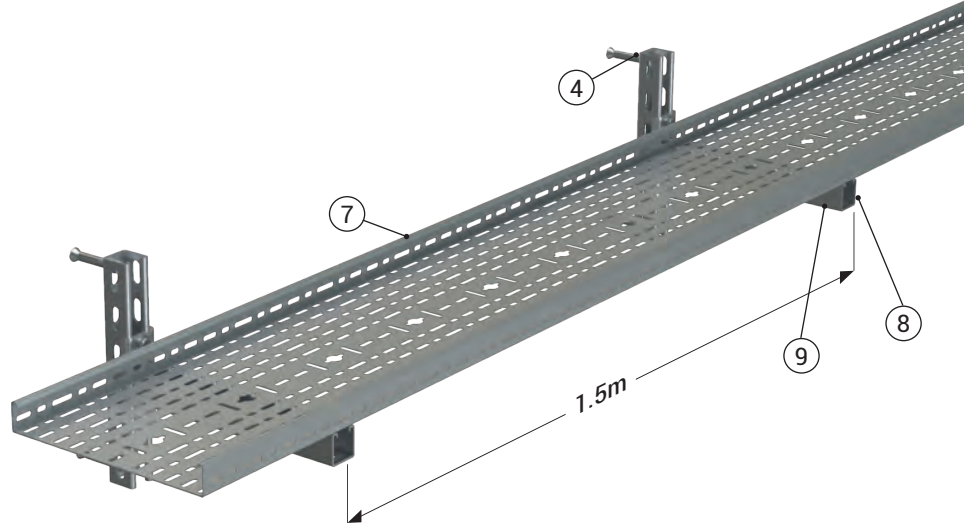
### Tested Cable Parameters

Manufacturer	Type	Class	Cable size (mm)	Installation Type
FABER KABER	(N)HXCH FE180 / E90	E90	4x1.5	Wall

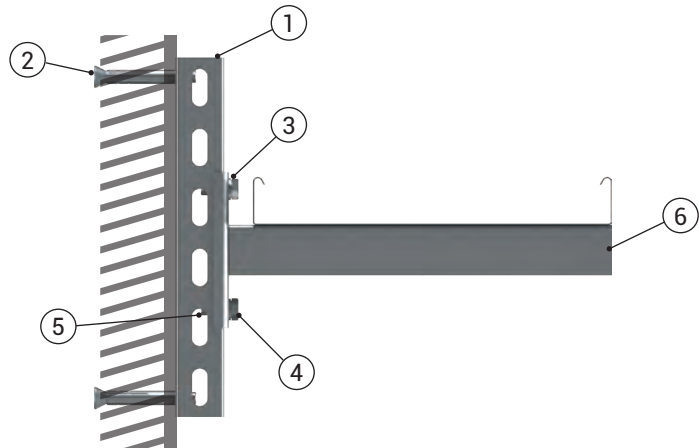
# FIRE RESISTANT SYSTEMS

## ►►2016 Fire Test Report System-3

Test Parameters	
Support Distance	1,5 m
Maximum Load	10 kg/m
Height (H)	40 mm
Width (W)	300 mm



Order code	No	Material List
3005313	1	BR452 BINRAK Channel
5000023	2	M10 Dowel
1000504	3	M10 Washer
1000566	4	M10 Bolt
1001312	5	M10 Spring Nut
3000253	6	BR3-300 Console
3001232	7	40 CTH 300 Cable Tray (1,2mm)
3127207	8	40 CTE Joint Fitting
1004314	9	M6 X 12 Bolt Set



### Tested Cable Parameters

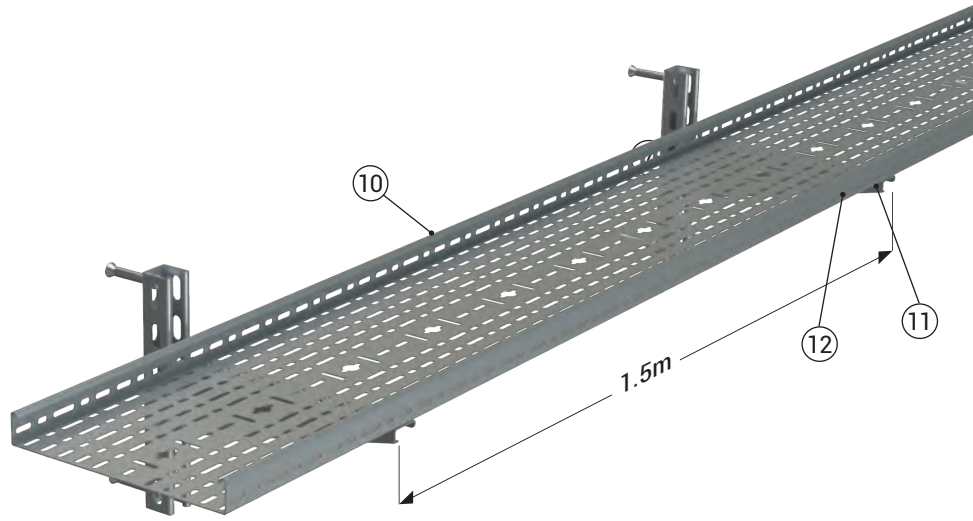
Manufacturer	Type	Class	Cable size (mm)	Installation Type
FABER KABER	(N)HXCH FE180 / E90	E90	4x1.5	Wall
FABER KABER	(N)HXCH FE180 / E90	E90	4x16	Wall

# FIRE RESISTANT SYSTEMS

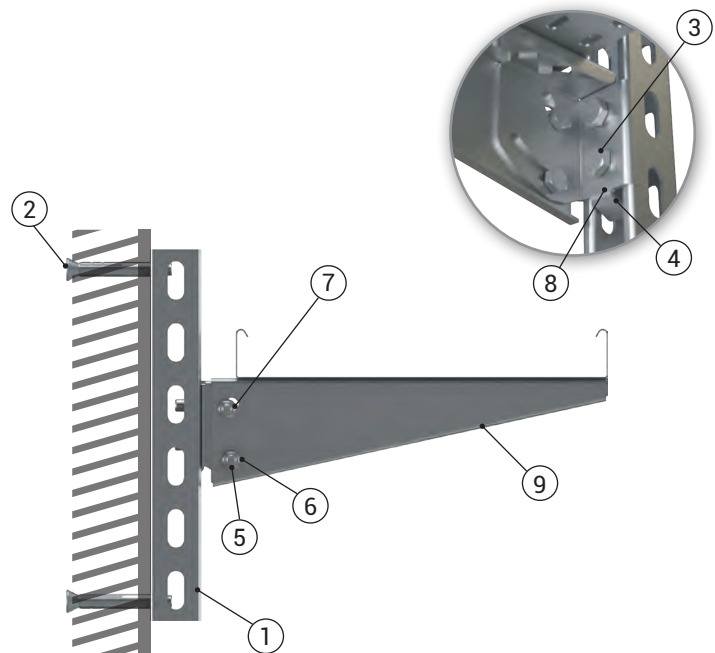
## ►►2016 Fire Test Report System-4



Test Parameters	
Support Distance	1,5 m
Maximum Load	10 kg/m
Height (H)	40 mm
Width (W)	300 mm



Order code	No	Material List
3005313	1	BR452 BINRAK Channel
5000023	2	M10 Dowel
1000566	3	M10 Bolt
1001312	4	M10 Spring Nut
1000502	5	M8 Washer
1000521	6	M8 Nut
1000559	7	M8 Bolt
3006351	8	Adjustable Support Connector
2000800	9	ST 300 Console
3000161	10	40 CTH 300 Cable Tray (1,2mm)
3127207	11	40 CTE Joint Fitting
1004314	12	M6 X 12 Bolt Set

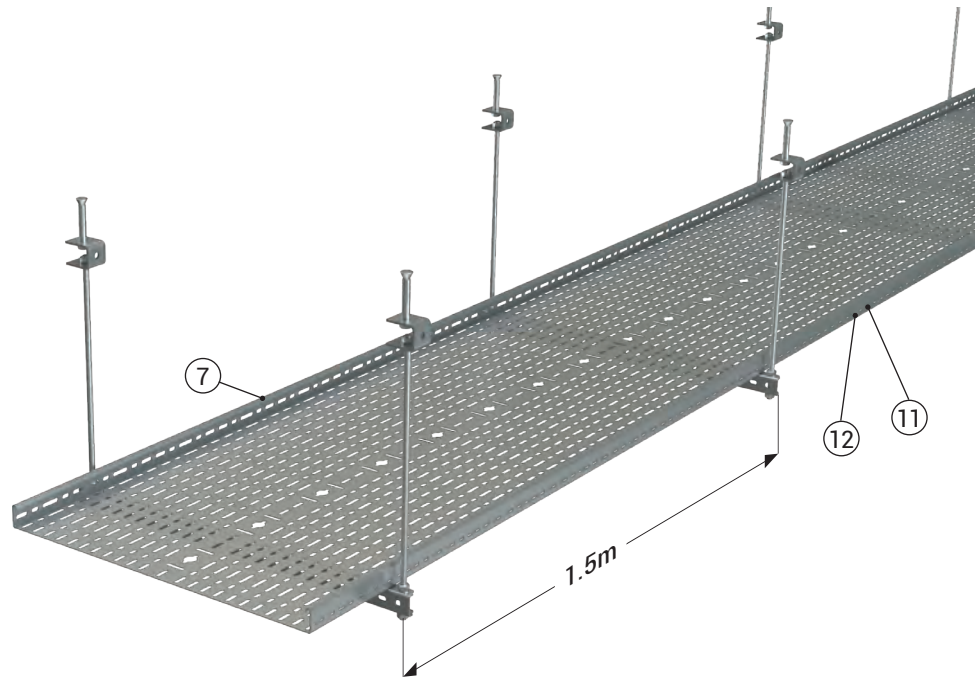


Tested Cable Parameters				
Manufacturer	Type	Class	Cable size (mm)	Installation Type
FABER KABER	(N)HXH-J FE180 / E90	E90	4x16	Wall
FABER KABER	(N)HXH-J FE180 / E90	E90	4x1.5	Wall

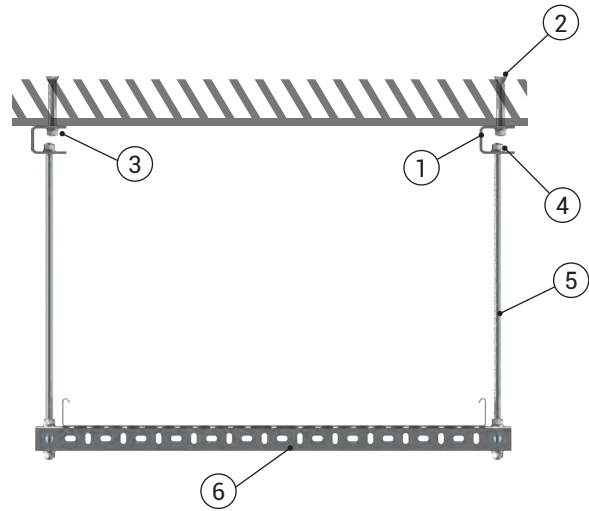
# FIRE RESISTANT SYSTEMS

## ►►2016 Fire Test Report System-5

Test Parameters	
Support Distance	1,5 m
Maximum Load	10 kg/m
Height (H)	40 mm
Width (W)	600 mm



Order code	No	Material List
3000001	1	U Ceiling mounting fitting
5000023	2	M10 Dowel
1000504	3	M10 Washer
1000522	4	M10 NUT
5000173	5	M10 x 1000 Threaded rod
3005830	6	AT4 600
3007910	7	40 CTH 600 Cable Tray
3127207	8	40 CTE Joint Fitting
1004314	9	M6 X 12 Bolt Set



### Tested Cable Parameters

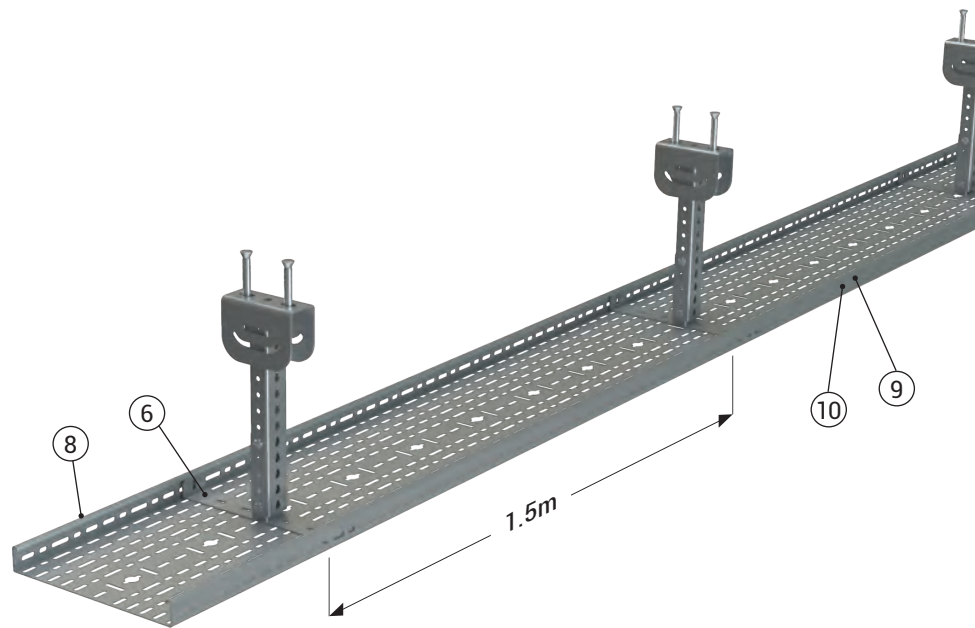
Manufacturer	Type	Class	Cable size (mm)	Installation Type
FABER KABER	(N)HXCH FE180 / E90	E30	4x16	Ceiling
FABER KABER	(N)HXH-J FE180 / E90	E30	4x16	Ceiling
FABER KABER	(N)HXH-J FE180 / E90	E30	4x1.5	Ceiling

# FIRE RESISTANT SYSTEMS

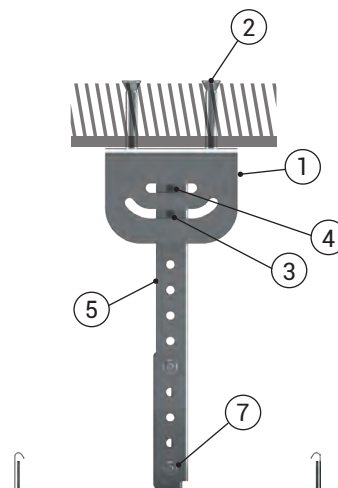
## ►►2016 Fire Test Report System-6



Test Parameters	
Support Distance	1,5 m
Maximum Load	10 kg/m
Height (H)	40 mm
Width (W)	300 mm



Order code	No	Material List
3006349	1	TMP6 Mounting Fitting
5000023	2	M10 Dowel
1000559	3	M8 Bolt
1000521	4	M8 Nut
3008585	5	ASU 2A-3 500
3238953	6	AT6 300
1004314	7	M6 X 12 Bolt Set
3001232	8	40 CTH 300 Cable Tray (1,2mm)
3127207	9	40 CTE Joint Fitting
1004314	10	M6 X 12 Bolt Set



### Tested Cable Parameters

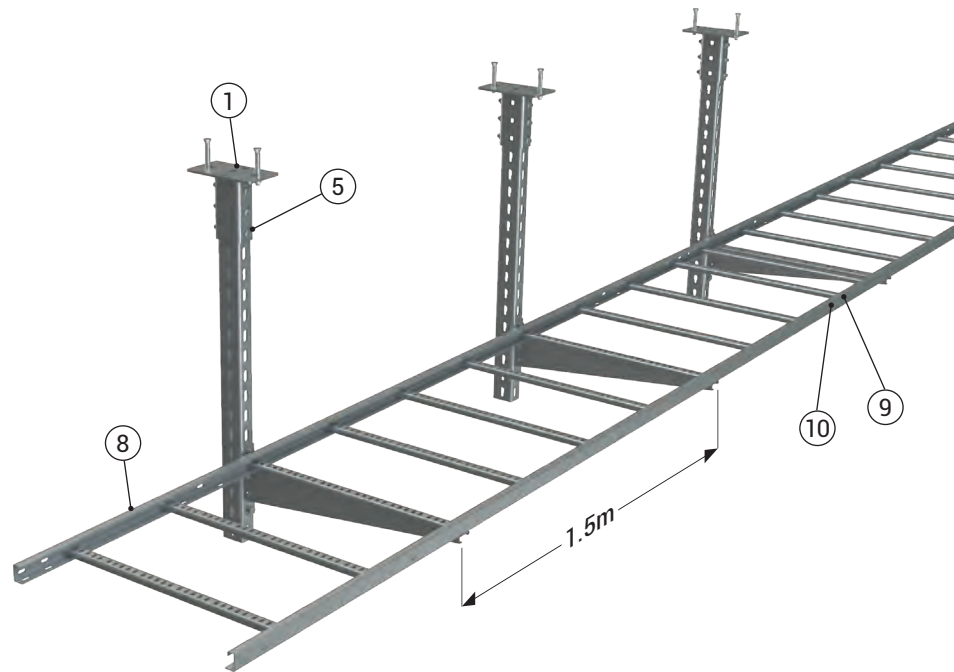
Manufacturer	Type	Class	Cable size (mm)	Installation Type
FABER KABER	(N)HXCH FE180 / E90	E90	4x16	Ceiling
FABER KABER	(N)HXCH FE180 / E90	E90	4x1.5	Ceiling



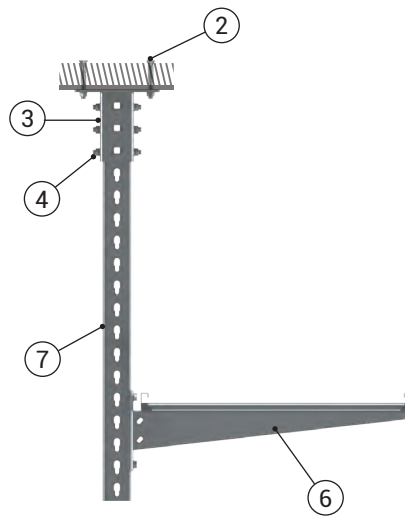
# FIRE RESISTANT SYSTEMS

## ►►2016 Fire Test Report System-7

Test Parameters	
Support Distance	1,5 m
Maximum Load	10 kg/m
Height (H)	50 mm
Width (W)	600 mm



Order code	No	Material List
3086554	1	TMP3 Mounting
5000023	2	M10 Dowel
1000504	3	M10 Washer
1000522	4	M10 Nut
1000566	5	M10 Bolt
3008022	6	STS 600 Console
3004430	7	UPY 900 Profile
3106616	8	50 KMH 600 Cable Ladder
3006165	9	50 KME Joint Fitting
1004314	10	M6 X 12 Bolt Set



### Tested Cable Parameters

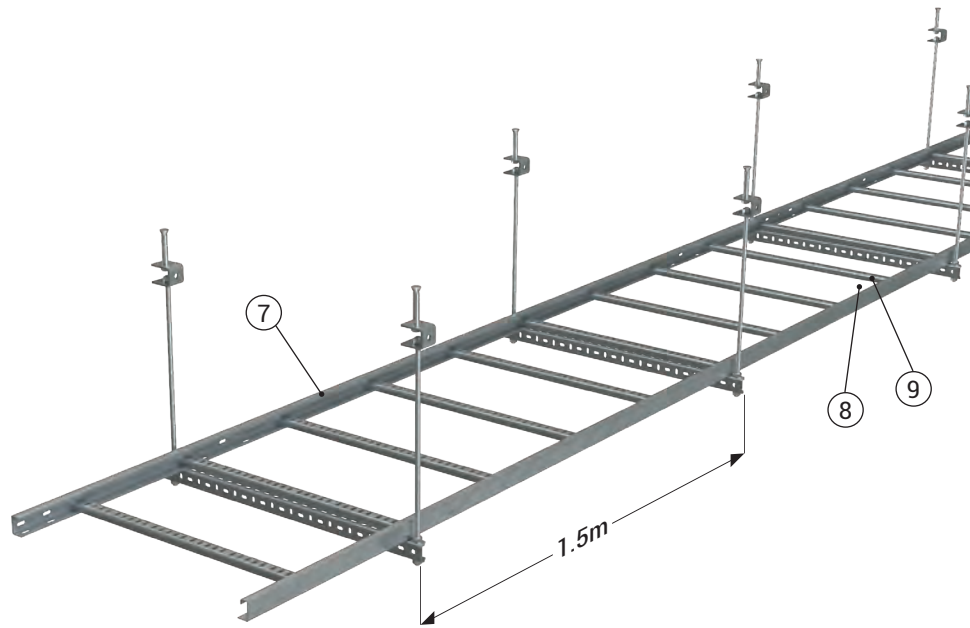
Manufacturer	Type	Class	Cable size (mm)	Installation Type
FABER KABER	(N)HXCH FE180 / E90	E90	4x1.5	Ceiling
FABER KABER	(N)HXH-J FE180 / E90	E90	4x16	Ceiling
FABER KABER	(N)HXH-J FE180 / E90	E90	4x16	Ceiling
FABER KABER	(N)HXH-J FE180 / E90	E90	4x1.5	Ceiling

# FIRE RESISTANT SYSTEMS

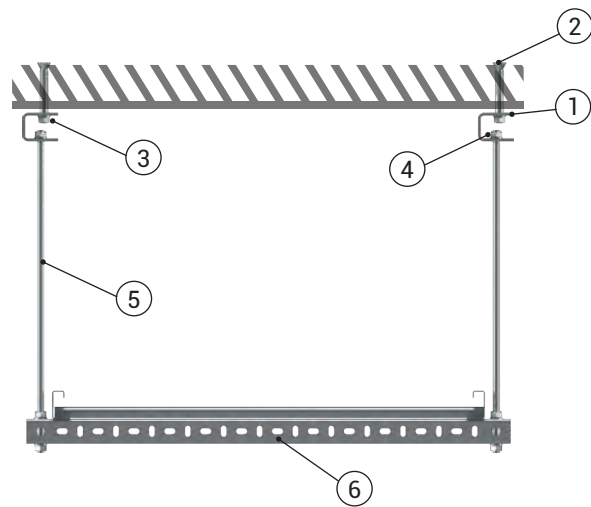
## ►►2016 Fire Test Report System-8



Test Parameters	
Support Distance	1,5 m
Maximum Load	10 kg/m
Height (H)	50 mm
Width (W)	600 mm



Order code	No	Material List
3000001	1	U Ceiling mounting fitting
5000023	2	M10 Dowel
1000504	3	M10 Washer
1000522	4	M10 Nut
5000173	5	M10 x 1000 Threaded rod
3005830	6	AT4 600
3106616	7	50 KMH 600 Cable Ladder
3006165	8	50 KME Joint Fitting
1004314	9	M6 X 12 Bolt Set



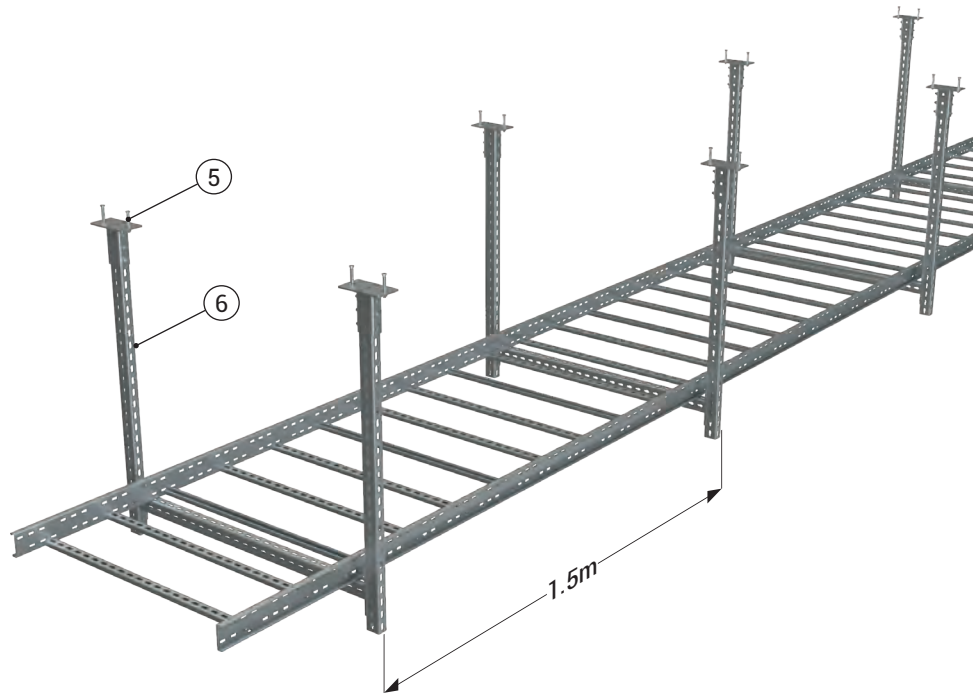
### Tested Cable Parameters

Manufacturer	Type	Class	Cable size (mm)	Installation Type
FABER KABER	(N)HXCH FE180 / E90	E30	4x1.5	Ceiling
FABER KABER	(N)HXCH FE180 / E90	E30	4x16	Ceiling
FABER KABER	(N)HXH-J FE180 / E90	E30	4x16	Ceiling

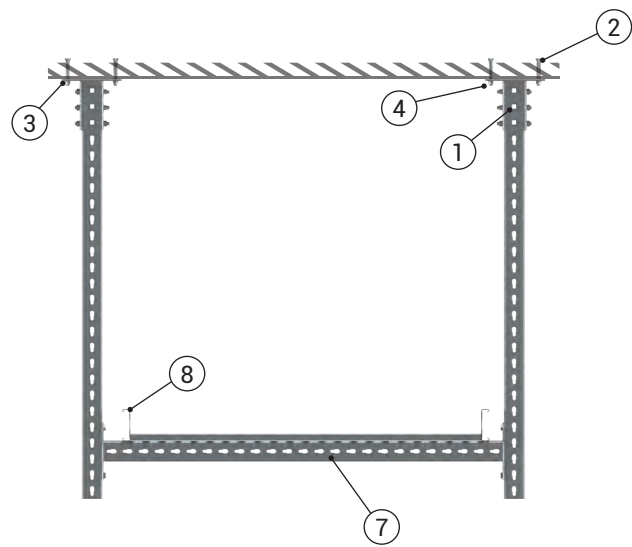
# FIRE RESISTANT SYSTEMS

## ►►2016 Fire Test Report System-9

Test Parameters	
Support Distance	1,5 m
Maximum Load	10 kg/m
Height (H)	100 mm
Width (W)	1100 mm



Order code	No	Material List
3086554	1	TMP3 MOUNTING
5000023	2	M10 Dowel
1000504	3	M10 WASHER
1000522	4	M10 NUT
1000566	5	M10 BOLT
3004432	6	UPY 1100 PROFILE
3191265	7	UPYB 1200
3066963	8	100 KCA OG 1100 CABLE LADDER



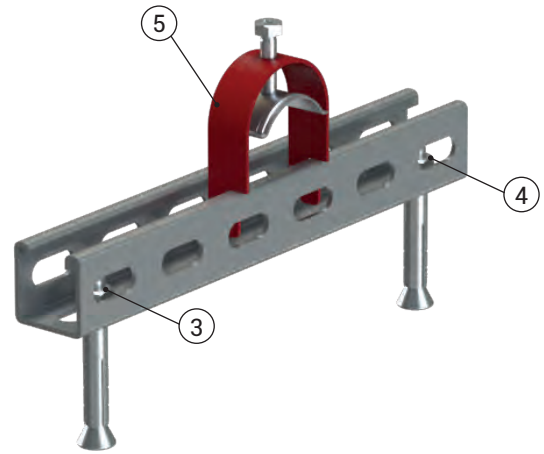
### Tested Cable Parameters

Manufacturer	Type	Class	Cable size (mm)	Installation Type
FABER KABER	(N)HXCH FE180 / E90	E90	4x1.5	Ceiling
FABER KABER	(N)HXCH FE180 / E90	E90	4x16	Ceiling
FABER KABER	(N)HXH-J FE180 / E90	E90	4x16	Ceiling

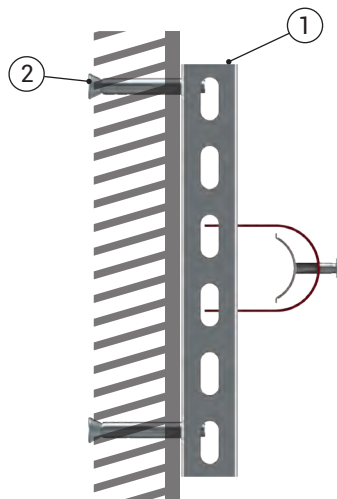
# FIRE RESISTANT SYSTEMS

## ►►2016 Fire Test Report System-10

Test Parameters	
Support Distance	1,5 m
Maximum Load	10 kg/m
Height (H)	-
Width (W)	-



Order code	No	Material List
3005313	1	BR452 BINRAK Channel
5000023	2	M10 Dowel
1000504	3	M10 Washer
1000522	4	M10 Nut
1003013	5	Cable Clamp



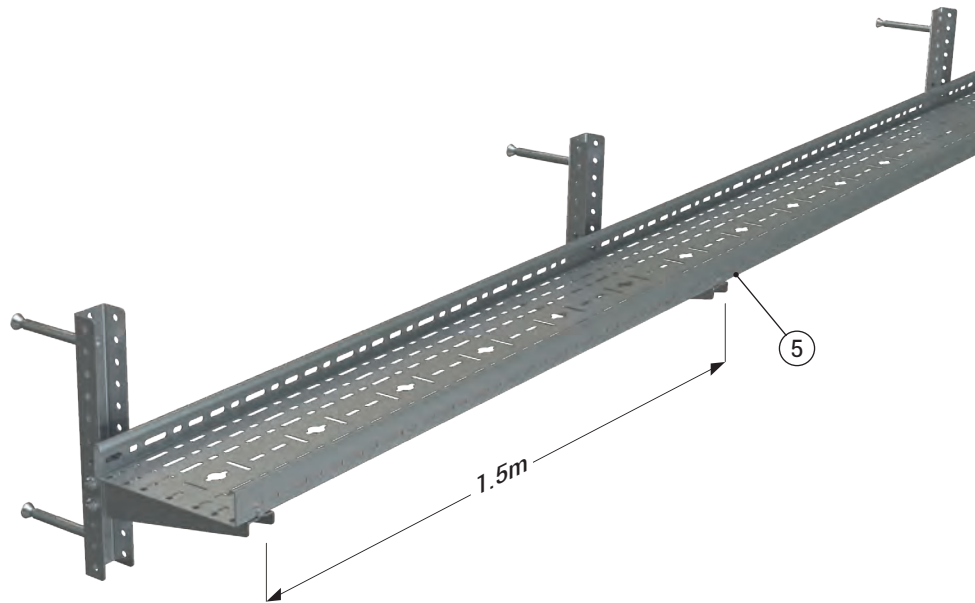
### Tested Cable Parameters

Manufacturer	Type	Class	Cable size (mm)	Installation Type
FABER KABER	(N)HXCH FE180 / E90	E90	4x16	Wall-Ceiling

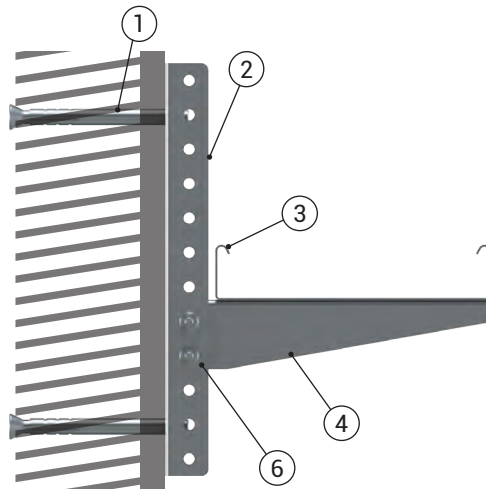
# FIRE RESISTANT SYSTEMS

## ►►2018 Fire Test Report System-1

Test Parameters	
Support Distance	1,5 m
Maximum Load	12 kg/m
Height (H)	40 mm
Width (W)	200 mm



Order code	No	Material List
5000023	1	M10 Dowel
3008585	2	ASU 2A-3 500
3000165	3	40 CTH 200 Cable Tray
3008567	4	KT 200 Console
3127207	5	40 CTE Joint Fitting
1004314	6	M6 X 12 Bolt Set



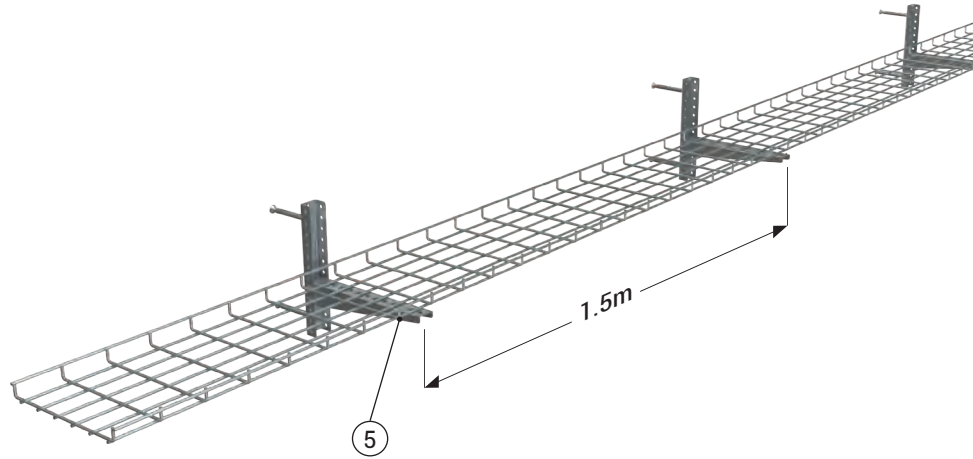
### Tested Cable Parameters

Manufacturer	Type	Class	Cable size (mm)	Installation Type
DATWAYLER	(N)HXH 4x50 RM FE 180/E90 0,6/1kV	E90	4x50	Wall
FACAB	(N)HXH 4x1,5 RE FE 180/E90 0,6/1kV	E90	4x1,5	Wall
FACAB	(N)HXH 4x50 RM FE 180/E90 0,6/1kV	E90	4x50	Wall
FACAB	JE-H(St)H 2x2x0,8 Bd FE180/E30-E90	E60	2x2x0,8	Wall

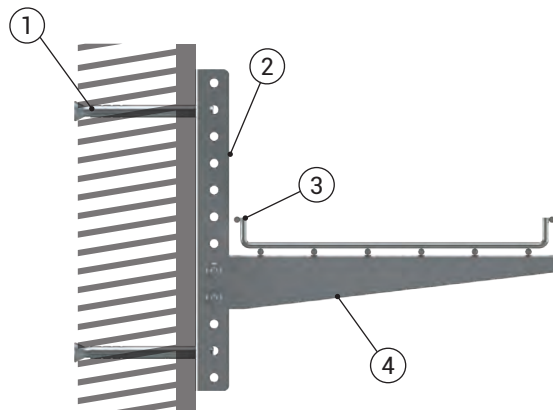
# FIRE RESISTANT SYSTEMS

## ►►2018 Fire Test Report System-2

Test Parameters	
Support Distance	1,5 m
Maximum Load	12 kg/m
Height (H)	35 mm
Width (W)	300 mm



Order code	No	Material List
5000023	1	M10 Dowel
3008585	2	ASU 2A-3 500
3178498	3	35 TLS 300 Wire Mesh
3008562	4	KT 300 Console
3000624	5	TLS Joint Fitting

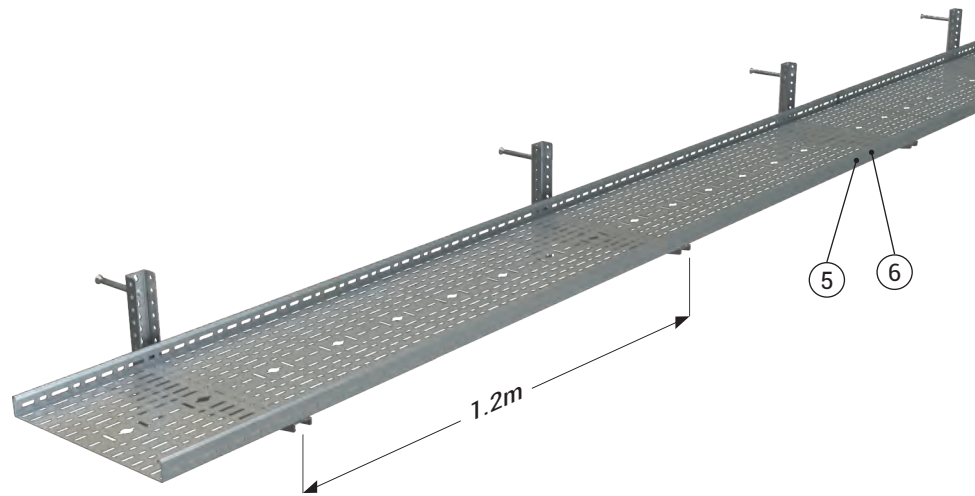


Tested Cable Parameters				
Manufacturer	Type	Class	Cable size (mm)	Installation Type
FACAP	(N)HXH 4X50 RM FE180/E90 0,6/1KV	E90	4X50	Wall
FACAP	(N)HXH 4X1,5 RM FE180/E90 0,6/1KV	E90	4X1,5	Wall
DATWAYLER	(N)HXH 4x50 RM FE 180/E90 0,6/1kv	E90	4x50	Wall
DATWAYLER	(N)HXH 4x1,5 RM FE 180/E90 0,6/1kv	E90	4x1,5	Wall
DATWAYLER	JE-H(St)H 2x2x0,8 Bd FE180/E30-E90	E30	2x2x0,8	Wall
FACAP	JE-H(St)H 2x2x0,8 Bd FE180/E30-E90	E90	2x2x0,8	Wall

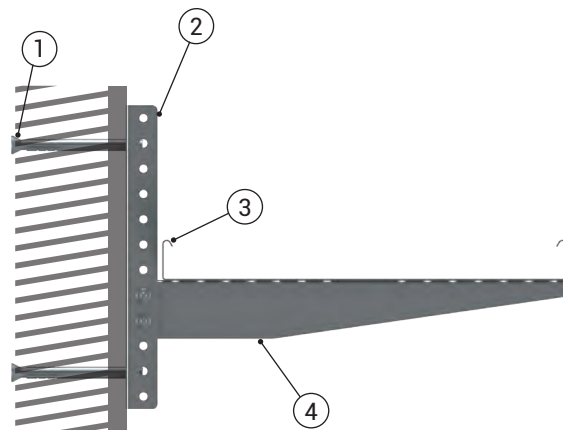
# FIRE RESISTANT SYSTEMS

## ►►2018 Fire Test Report System-3

Test Parameters	
Support Distance	1,2 m
Maximum Load	10 kg/m
Height (H)	40 mm
Width (W)	400 mm



Order code	No	Material List
5000023	1	M10 Dowel
3008585	2	ASU 2A-3 500
3000159	3	40 CTH 400 Cable Tray
3008561	4	KT 400 Console
3127207	5	40 CTE Joint Fitting
1004314	6	M6 X 12 Bolt Set



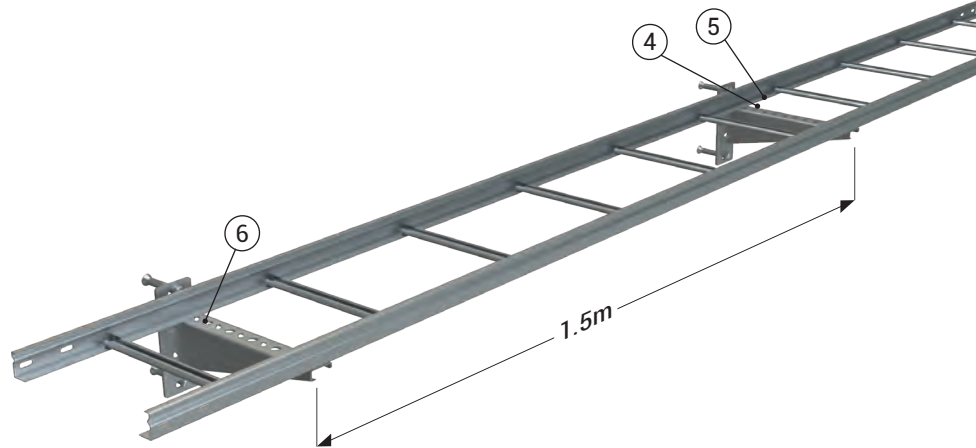
Tested Cable Parameters				
Manufacturer	Type	Class	Cable size (mm)	Installation Type
FACAP	(N)HXH 4X50 RM FE180/E90 0,6/1KV	E60	4X50	Wall
FACAP	(N)HXH 4X1,5 RM FE180/E90 0,6/1KV	E60	4X1,5	Wall
DATWAYLER	(N)HXH 4x50 RM FE 180/E90 0,6/1kv	E60	4x50	Wall
DATWAYLER	(N)HXH 4x1,5 RM FE 180/E90 0,6/1kv	E60	4x1,5	Wall
FACAP	JE-H(St)H 2x2x0,8 Bd FE180/E30-E90	E60	2x2x0,8	Wall
DATWAYLER	JE-H(St)H 2x2x0,8 Bd FE180/E30-E90	E30	2x2x0,8	Wall

# FIRE RESISTANT SYSTEMS

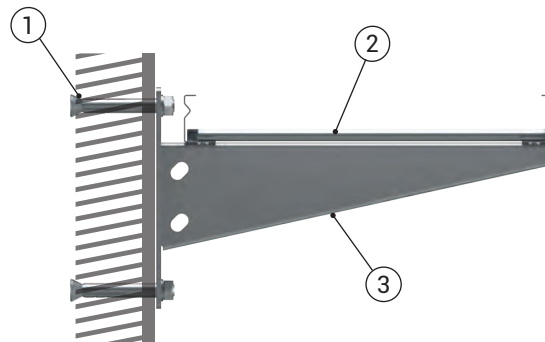
## ►►2018 Fire Test Report System-4



Test Parameters	
Support Distance	1,5 m
Maximum Load	20 kg/m
Height (H)	40 mm
Width (W)	300 mm



Order code	No	Material List
5000023	1	M10 Dowel
3007929	2	STS-D 300
3106607	3	40 KMH 300 Cable Ladder
3127207	4	40 CTE Joint Fitting
1004314	5	M6 X 12 Bolt Set
3026173	6	SE1 Connector



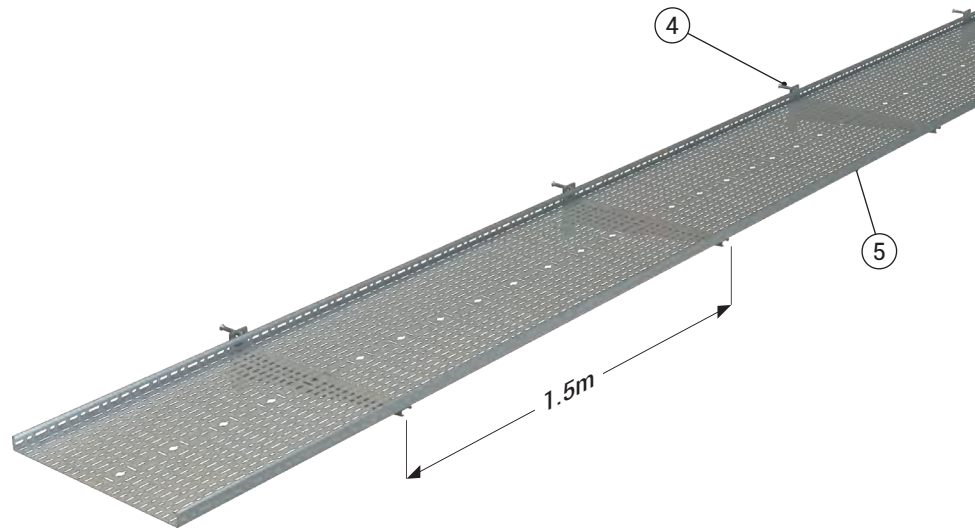
Tested Cable Parameters				
Manufacturer	Type	Class	Cable size (mm)	Installation Type
FACAP	(N)HXH 4X50 RM FE180/E90 0,6/1KV	E90	4X50	Wall
FACAP	(N)HXH 4X1,5 RM FE180/E90 0,6/1KV	E60	4X1,5	Wall
DATWAYLER	(N)HXH 4x50 RM FE 180/E90 0,6/1kv	E60	4x50	Wall
DATWAYLER	(N)HXH 4x1,5 RM FE 180/E90 0,6/1kv	E90	4x1,5	Wall
PRAFlaGuard	JE-H(St)H 2x2x0,8 Bd FE180 / E90	E60	2x2x0,8	Wall
DATWAYLER	JE-H(St)H 2x2x0,8 Bd FE180/E30-E90	E30	2x2x0,8	Wall



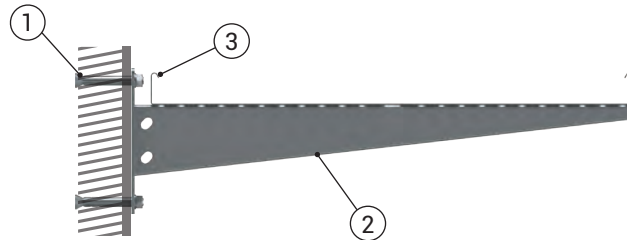
# FIRE RESISTANT SYSTEMS

## ►►2018 Fire Test Report System-5

Test Parameters	
Support Distance	1,5 m
Maximum Load	12 kg/m
Height (H)	40 mm
Width (W)	600 mm



Order code	No	Material List
5000023	1	M10 Dowel
3007926	2	STS-D 600
3000155	3	40 CTH 600 CABLE TRAY
3127207	4	40 CTE JOINT FITTING
1004314	5	M6 X 12 BOLT SET



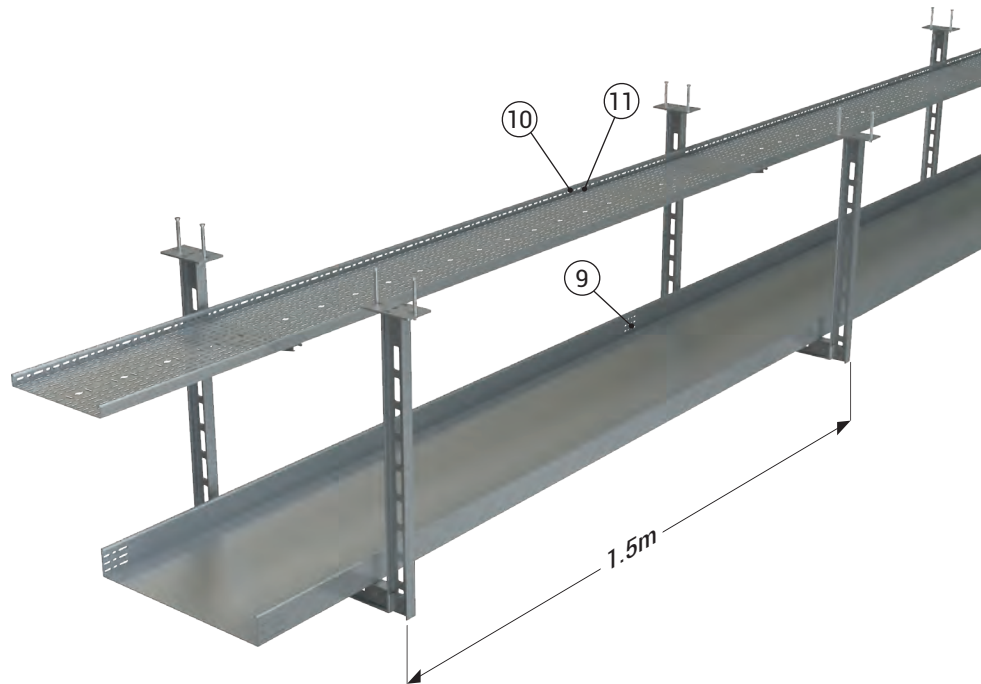
Tested Cable Parameters				
Manufacturer	Type	Class	Cable size (mm)	Installation Type
FACAP	(N)HXH 4X50 RM FE180/E90 0,6/1KV	E60	4X50	Wall
FACAP	(N)HXH 4X1,5 RM FE180/E90 0,6/1KV	E30	4X1,5	Wall
DATWAYLER	(N)HXH 4x50 RM FE 180/E90 0,6/1KV	E30	4x50	Wall
DATWAYLER	(N)HXH 4x1,5 RM FE 180/E90 0,6/1kv	E60	4x1,5	Wall
PRAFlaGuard	JE-H(Si)H 2x2x0,8 Bd FE180 / E90	E30	2x2x0,8	Wall

# FIRE RESISTANT SYSTEMS

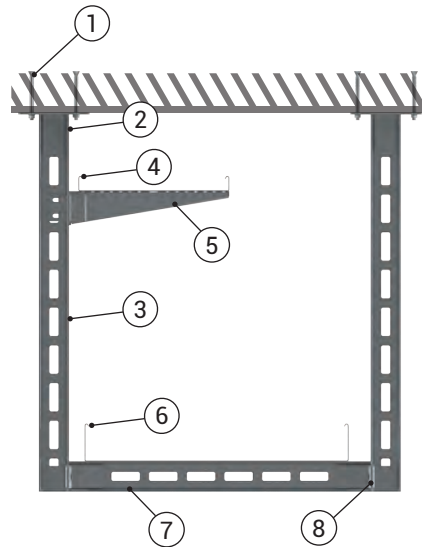
## ►►2018 Fire Test Report System-6



Test Parameters	
Support Distance	1,5 m
Maximum Load	12 kg/m
Height (H)	40 mm
Width (W)	400 mm



Order code	No	Material List
5000023	1	M10 Dowel
3008381	2	TMP7 Mounting Fitting
3008307	3	IDD Profile
3000127	4	40 CTA 400 Cable Tray
3008291	5	STK 600 Console
3191140	6	100 CTA-D 700 Cable Tray
3008286	7	IDY Profile
3008279	8	IDT Mounting Fitting
3127207	9	040 CTE Joing Fitting
3006937	10	100 CTE Joing Fitting
1004314	11	M6 X 12 Bolt Set



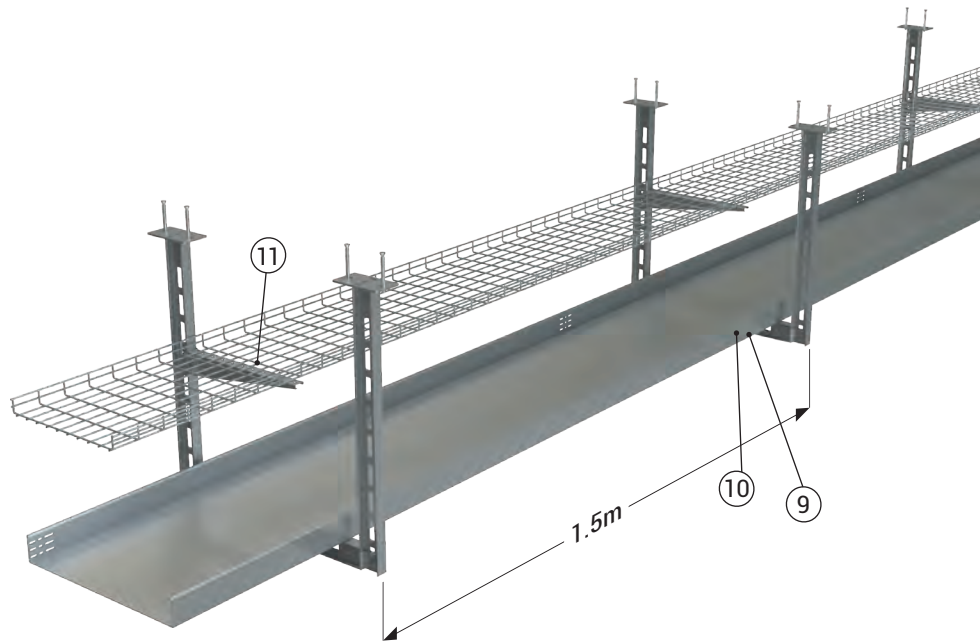
### Tested Cable Parameters

Manufacturer	Type	Class	Cable size (mm)	Installation Type
DATWAYLER	(N)HXH 4x50 RM FE 180/E90 0,6/1kV	E90	4x50	Ceilling
DATWAYLER	(N)HXH 4x1,5 RM FE 180/E90 0,6/1kV	E90	4X1,5	Ceilling
FACAP	(N)HXH 4x1,5 RE FE 180/E90 0,6/1kV	E90	4x1,5	Ceilling
FACAP	(N)HXH 4x50 RM FE 180/E90 0,6/1kV	E90	4x50	Ceilling
FACAP	JE-H(Si)H 2x2x0,8 Bd FE180/E30-E90	E60	2x2x0,8	-

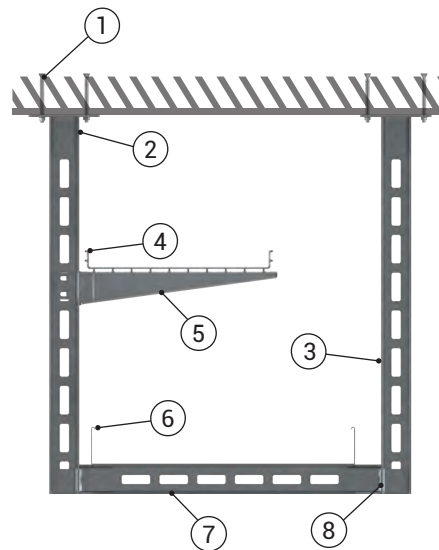
# FIRE RESISTANT SYSTEMS

## ►►2018 Fire Test Report System-7

Test Parameters	
Support Distance	1,5 m
Maximum Load	12 kg/m
Height (H)	35 mm
Width (W)	500 mm



Order code	No	Material List
5000023	1	M10 Dowel
3008381	2	TMP7 Mounting Fitting
3008307	3	IDD Profile
3178500	4	35 TLS 500 (4mm) Wire Mesh
3008292	5	STK 500 Console
3191140	6	100 CTA-D 700 Cable Tray
3008286	7	IDY Profile
3008279	8	IDT Mounting Fitting
3006937	9	100 CTE Joing Fitting
1004314	10	M6 X 12 Bolt Set
3000624	11	TLS Joint Fitting



### Tested Cable Parameters

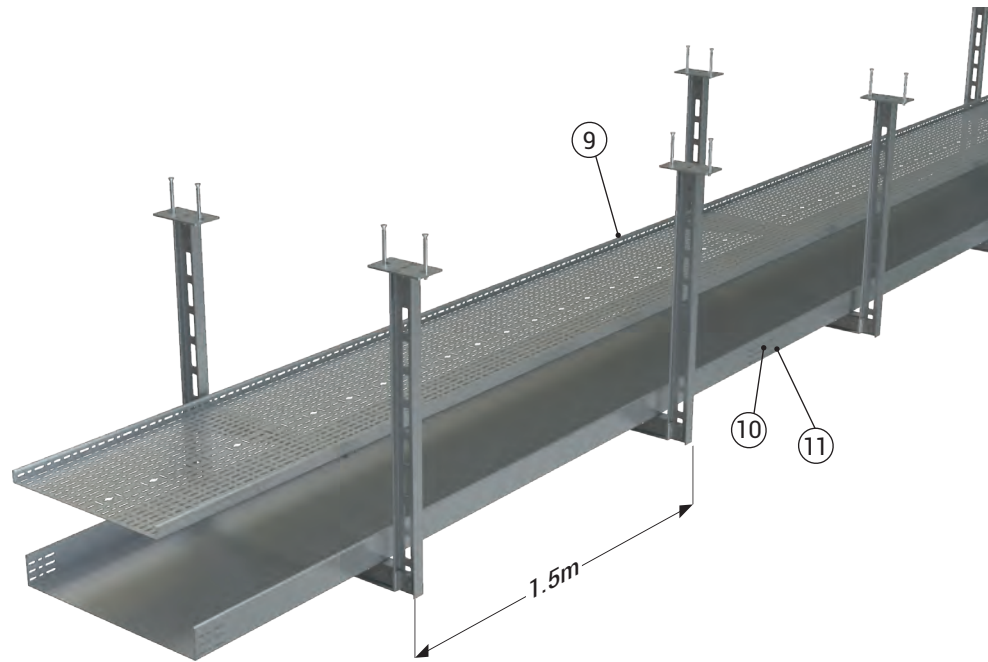
Manufacturer	Type	Class	Cable size (mm)	Installation Type
DATWAYLER	(N)HXH 4x50 RM FE 180/E90 0,6/1kV	E90	4x50	Ceiling
DATWAYLER	(N)HXH 4x1,5 RM FE 180/E90 0,6/1kV	E90	4X1,5	Ceiling
FACAP	(N)HXH 4x1,5 RE FE 180/E90 0,6/1kV	E90	4x1,5	Ceiling
FACAP	(N)HXH 4x50 RM FE 180/E90 0,6/1kV	E90	4x50	Ceiling
FACAP	JE-H(St)H 2x2x0,8 Bd FE180/E30-E90	E60	2x2x0,8	Ceiling
DATWAYLER	JE-H(St)H 2x2x0,8 Bd FE180/E30-E90	E30	2x2x0,8	Ceiling

# FIRE RESISTANT SYSTEMS

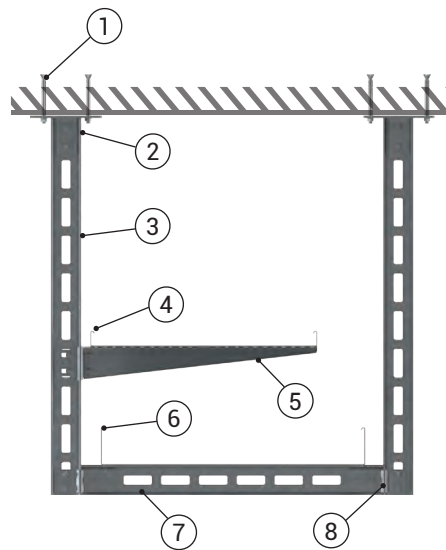
## ►►2018 Fire Test Report System-8



Test Parameters	
Support Distance	1,5 m
Maximum Load	12 kg/m
Height (H)	40 mm
Width (W)	600 mm



Order code	No	Material List
5000023	1	M10 Dowel
3008381	2	TMP7 Mounting Fitting
3008307	3	IDD Profile
3000123	4	40 CTA 600 Cable Tray
3110219	5	STK 600 Console
3191140	6	100 CTA-D 700 Cable Tray
3008286	7	IDY Profile
3008279	8	IDT Mounting Fitting
3127207	9	040 CTE Joint Fitting
3006937	10	100 CTE Joing Fitting
1004314	11	M6 X 12 Bolt Set

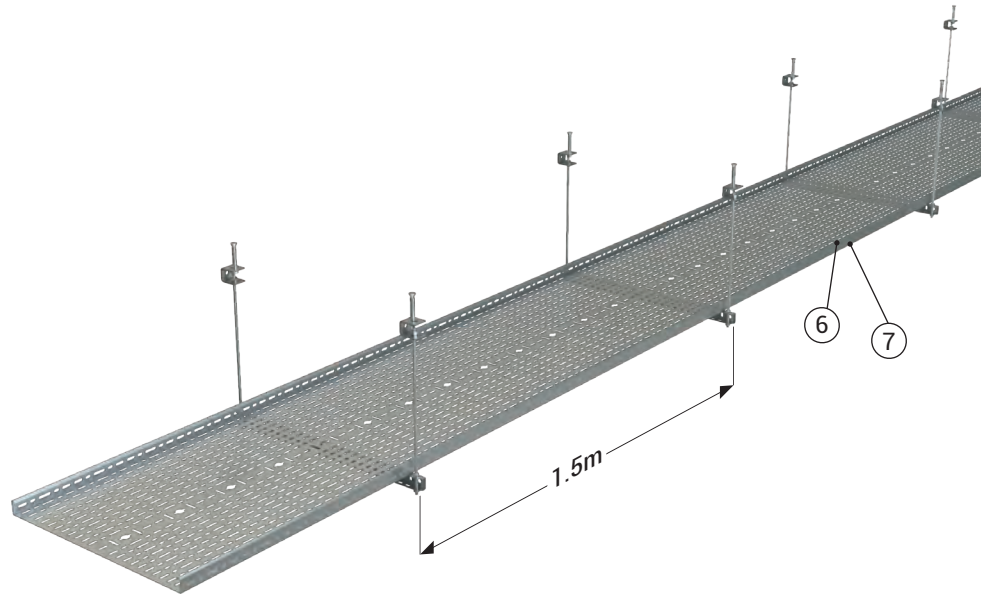


Tested Cable Parameters				
Manufacturer	Type	Class	Cable size (mm)	Installation Type
DATWAYLER	(N)HXH 4x50 RM FE 180/E90 0,6/1kV	E60	4x50	-
DATWAYLER	(N)HXH 4x1,5 RM FE 180/E90 0,6/1kV	E60	4X1,5	-
FACAP	(N)HXH 4x1,5 RE FE 180/E90 0,6/1kV	E60	4x1,5	-
FACAP	(N)HXH 4x50 RM FE 180/E90 0,6/1kV	E60	4x50	-
DATWAYLER	JE-H(St)H 2x2x0,8 Bd FE180/E30-E90	E30	2x2x0,8	-
PRAFlaGuard	JE-H(St)H 2x2x0,8 Bd FE180 / E90	E60	2x2x0,8	-

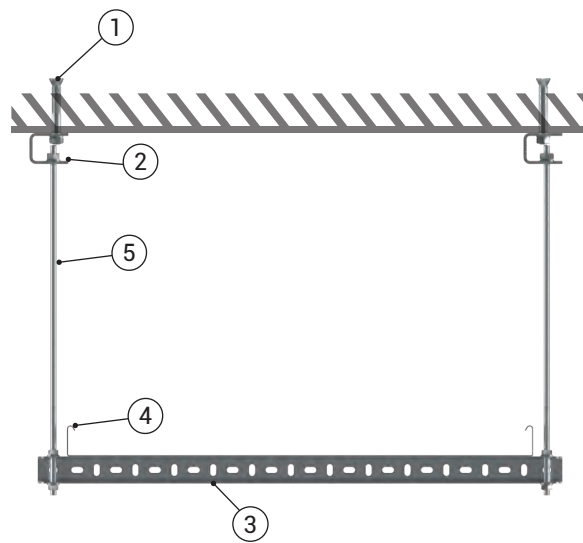
# FIRE RESISTANT SYSTEMS

## ►►2018 Fire Test Report System-9

Test Parameters	
Support distance	1,5 m
Maximum load	12 kg/m
Height (H)	40 mm
Width (W)	600 mm



Order code	No	Material List
5000023	1	M10 Dowel
3000001	2	U Ceiling mounting fitting
3005830	3	AT4 600
3000155	4	40 CTH 600 Cable Tray
5000173	5	M10 x 1000 Threaded rod
3127207	6	040 CTE Joint Fitting
1004314	7	M6 X 12 Bolt Set

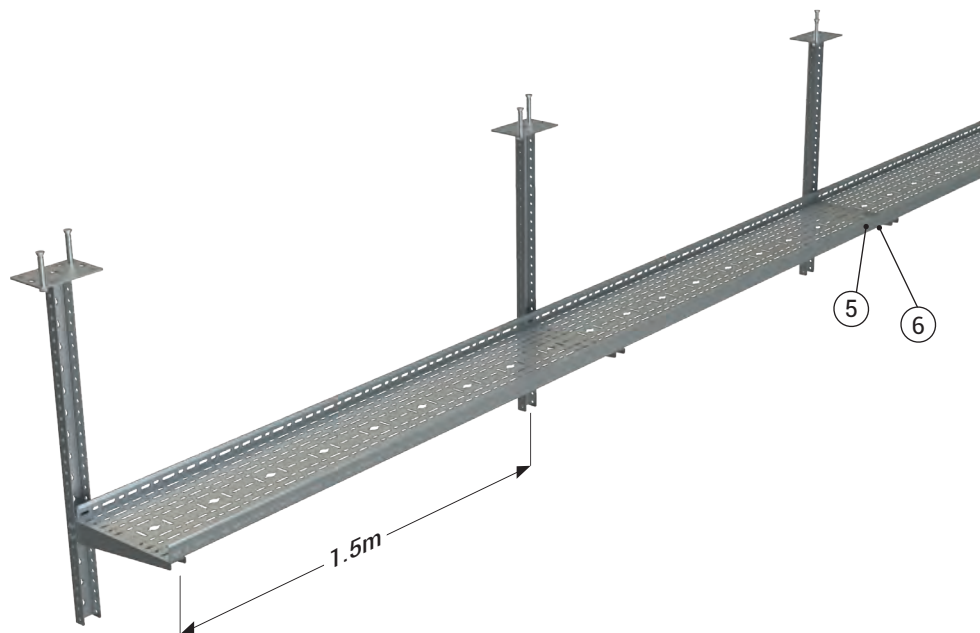


Tested Cable Parameters				
Manufacturer	Type	Class	Cable size (mm)	Installation Type
DATWYLER	(N)HXH 4x50 RM FE 180/E90 0,6/1kV	E90	4x50	Ceilling
FACAB	(N)HXH 4x50 RM FE 180/E90 0,6/1kV	E90	4x50	Ceilling
DATWAYLER	(N)HXH 4x1,5 RM FE 180/E90 0,6/1kV	E60	4x1,5	Ceilling
FACAB	(N)HXH 4x1,5 RE FE 180/E90 0,6/1kV	E60	4x1,5	Ceilling
DATWYLER	JE-H(St)H 2x2x0,8 Bd FE180/E30-E90	E30	2x2x0,8	Ceilling
PRAFlaGuard	JE-H(St)H 2x2x0,8 Bd FE180 / E90	E60	2x2x0,8	Ceilling

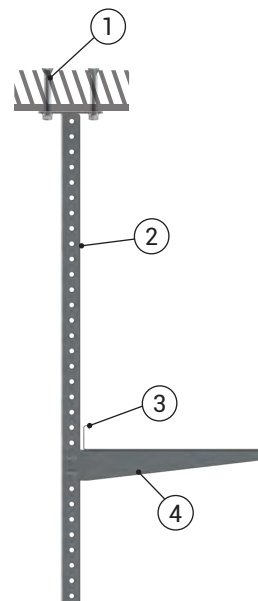
# FIRE RESISTANT SYSTEMS

## ►►2018 Fire Test Report System-10

Test Parameters	
Support Distance	1,5 m
Maximum Load	12 kg/m
Height (H)	40 mm
Width (W)	200 mm



Order code	No	Material List
5000023	1	M10 Dowel
3008235	2	TMP44 Profile
3000165	3	40 CTH 200 Cable Tray (1,2mm)
3008567	4	KT 400
3127207	5	40 CTE Joint Fitting
1004314	6	M6 X 12 Bolt Set



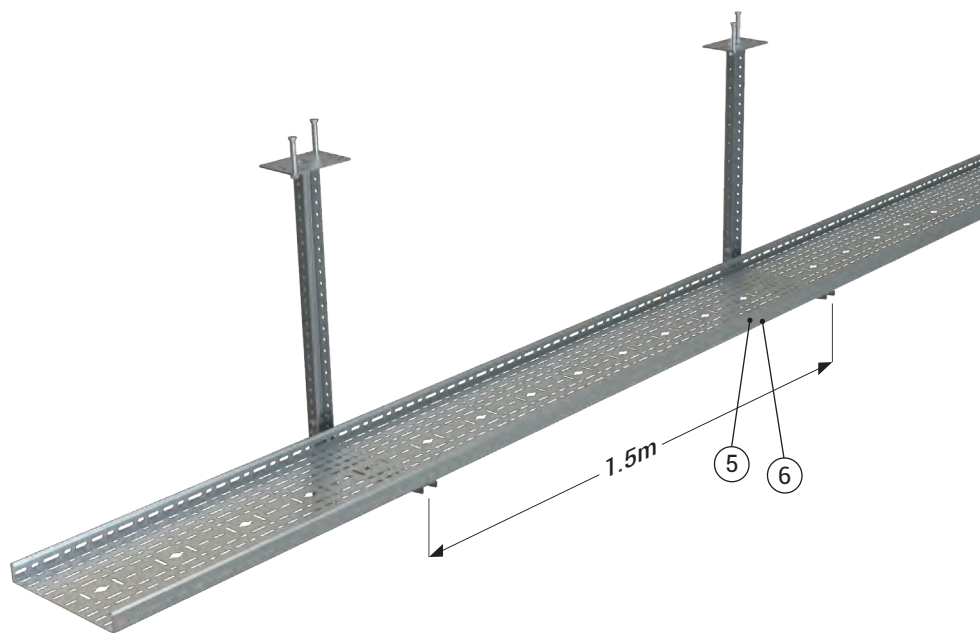
### Tested Cable Parameters

Manufacturer	Type	Class	Cable size (mm)	Installation Type
DATWAYLER	(N)HXH 4x50 RM FE 180/E90 0,6/1kV	E60	4x50	-
DATWAYLER	(N)HXH 4x1,5 RM FE 180/E90 0,6/1kV	E60	4X1,5	-
FACAP	-	E30	4x1,5	-
FACAP	(N)HXH 4x50 RM FE 180/E90 0,6/1kV	E30	4x50	-
PRAFlaGuard	JE-H(St)H 2x2x0,8 Bd FE180 / E90	E30	2x2x0,8	-

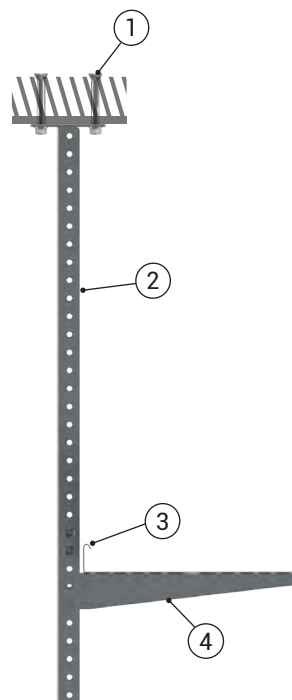
# FIRE RESISTANT SYSTEMS

## ►►2018 Fire Test Report System-11

Test Parameters	
Support distance	1,5 m
Maximum load	12 kg/m
Height (H)	40 mm
Width (W)	300 mm



Order code	No	Material List
5000023	1	M10 Dowel
3008235	2	TMP44 Profile
3000161	3	40 CTH 300 Cable Tray (1,2mm)
3008563	4	KT 300 Console
3127207	5	40 CTE Joint Fitting
1004314	6	M6 X 12 Bolt Set



### Tested Cable Parameters

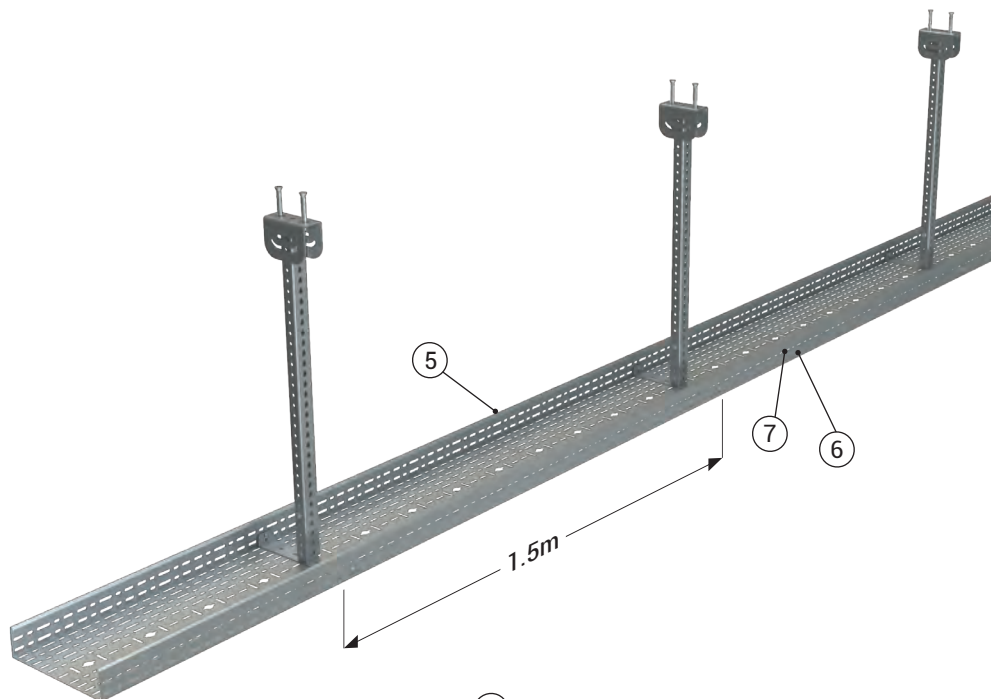
Manufacturer	Type	Class	Cable size (mm)	Installation Type
DATWYLER	(N)HXH 4x50 RM FE 180/E90 0,6/1kV	E30	4x50	-
DATWYLER	(N)HXH 4x1,5 RM FE 180/E90 0,6/1kV	E30	4X1,5	-
FACAB	(N)HXH 4x1,5 RE FE 180/E90 0,6/1kV	E30	4x1,5	-
FACAB	(N)HXH 4x50 RM FE 180/E90 0,6/1kV	E30	4x50	-
DATWYLER	JE-H(St)H 2x2x0,8 Bd FE180/E30-E90	E30	2x2x0,8	-
PRAFlaGuard	JE-H(St)H 2x2x0,8 Bd FE180 / E90	E30	2x2x0,8	-

# FIRE RESISTANT SYSTEMS

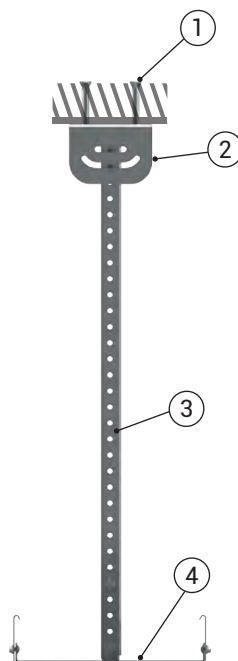
## ►►2018 Fire Test Report System-12



Test Parameters	
Support Distance	1,5 m
Maximum Load	12 kg/m
Height (H)	75 mm
Width (W)	300 mm



Order code	No	Material List
5000023	1	M10 Dowel
3086554	2	TMP6 Mounting Fitting
3008585	3	ASU 2A-3 500
3238953	4	AT6 300
3007906	5	75 CTH 300 Cable Tray
3006161	6	75 CTE Joint Fitting
1004314	7	M6 X 12 Bolt Set



### Tested Cable Parameters

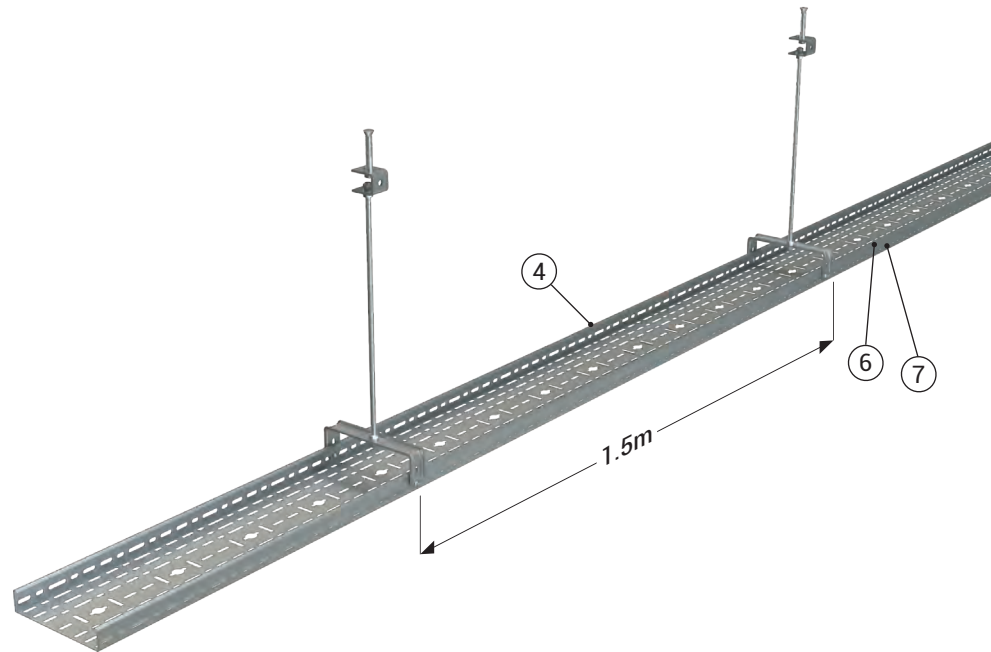
Manufacturer	Type	Class	Cable size (mm)	Installation Type
DATWAYLER	(N)HXH 4x50 RM FE 180/E90 0,6/1kV	E30	4x50	-
DATWAYLER	(N)HXH 4x1,5 RM FE 180/E90 0,6/1kV	E30	4X1,5	-
FACAP	(N)HXH 4x1,5 RE FE 180/E90 0,6/1kV	E30	4x1,5	-
FACAP	(N)HXH 4x50 RM FE 180/E90 0,6/1kV	E30	4x50	-



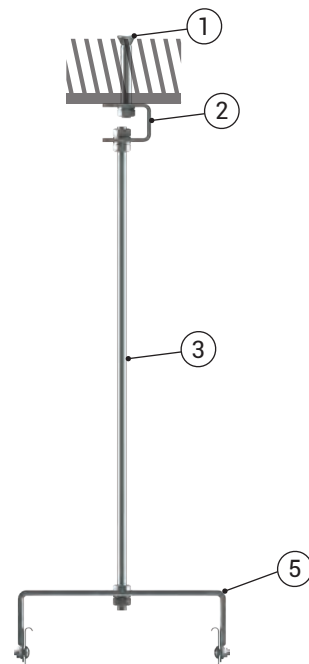
# FIRE RESISTANT SYSTEMS

## ►►2018 Fire Test Report System-13

Test Parameters	
Support distance	1,5 m
Maximum load	12 kg/m
Height (H)	40 mm
Width (W)	200 mm



Order code	No	Material List
5000023	1	M10 Dowel
3000001	2	U Ceiling mounting fitting
5000173	3	M10 x 1000 Threaded rod
3000165	4	40 CTH 200 Cable Tray (1,2mm)
3008271	5	AT3 200
3127207	6	40 CTE Joint Fitting
1004314	7	M6 X 12 Bolt Set



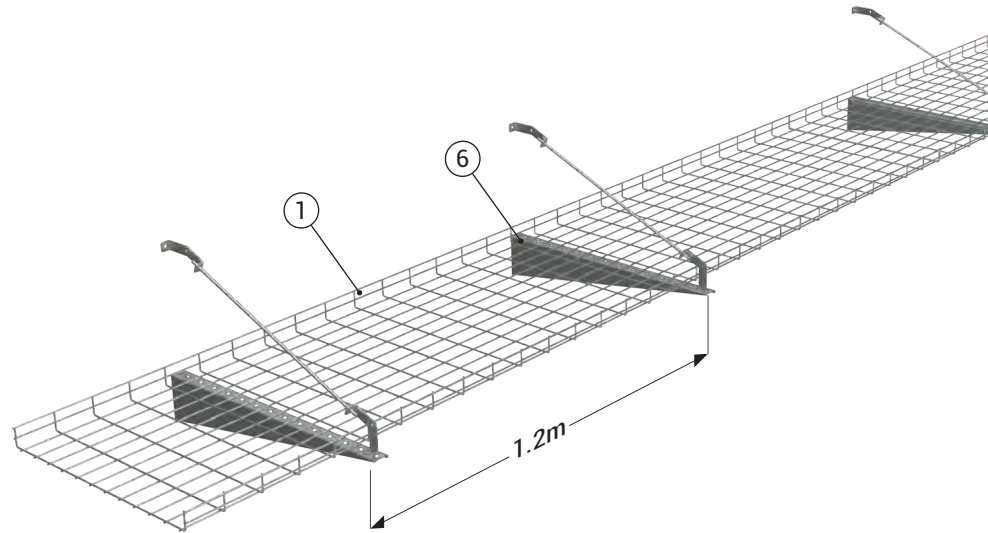
### Tested Cable Parameters

Manufacturer	Type	Class	Cable size (mm)	Installation Type
FACAB	(N)HXH 4x1,5 RE FE 180/E90 0,6/1kV	E30	4x1,5	-
FACAB	(N)HXH 4x50 RM FE 180/E90 0,6/1kV	E30	4x50	-
PRAFlaGuard	JE-H(Si)H 2x2x0,8 Bd FE180 / E90	E30	2x2x0,8	-

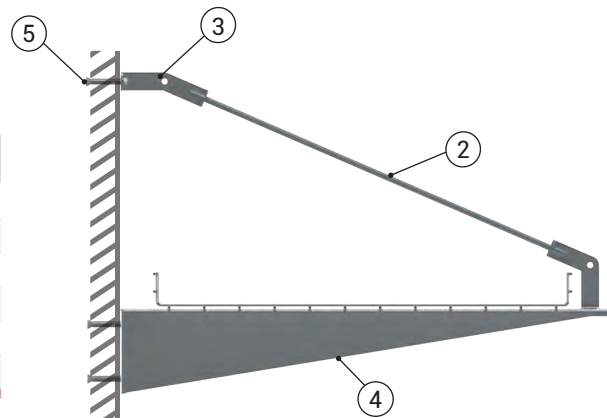
# FIRE RESISTANT SYSTEMS

## ►►2021 Fire Test Report System-1

Test Parameters	
Support Distance	1,2 m
Maximum Load	10 kg/m
Height (H)	55 mm
Width (W)	600 mm



Order code	No	Material List
3178507	1	55 TLS 600 Wire Mesh
5000169	2	T SUPPORT M8*500
3191265	3	Adjustable Support Connector
3191265	4	TS700 Console
5000023	5	M10 Dowel
3000624	6	TLS Joint Fitting

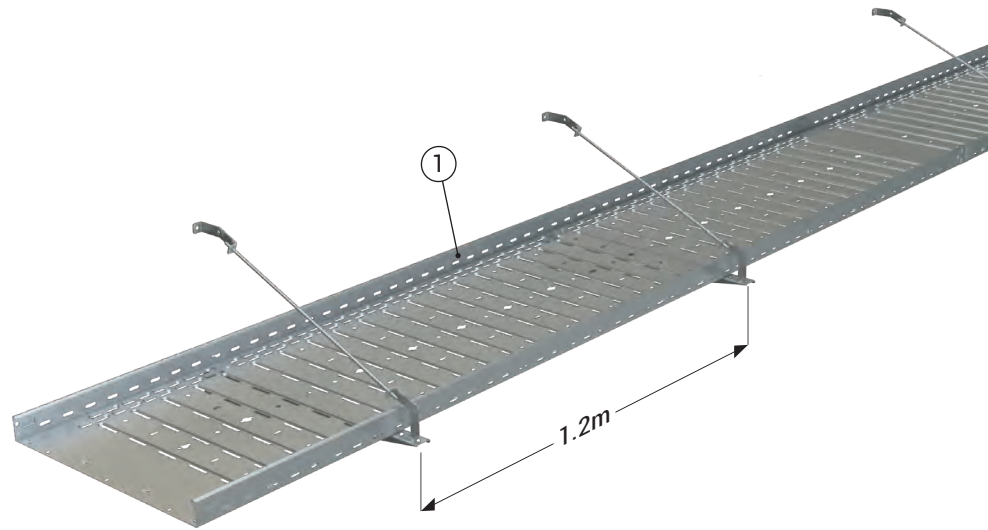


Tested Cable Parameters				
Manufacturer	Type	Class	Cable size (mm)	Installation Type
FABER	(N)HXH-O 4X1,5 RE FE180/E90 0,6/1kV	E60	4x1,5	Wall
FABER	(N)HXH-O 4X50 RE FE180/E90 0,6/1kV	E60	4x50	Wall

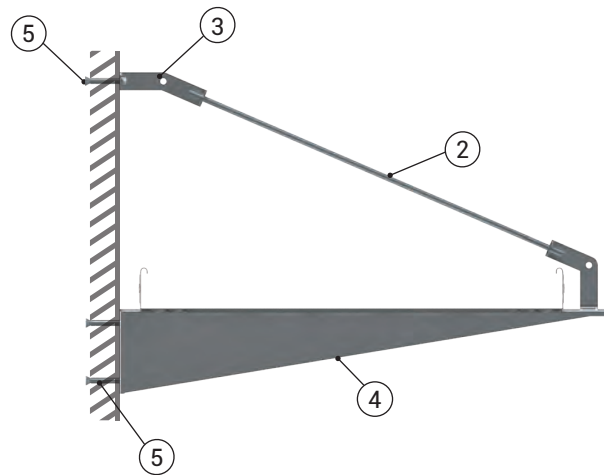
# FIRE RESISTANT SYSTEMS

## ►►2021 Fire Test Report System-2

Test Parameters	
Support Distance	1,2 m
Maximum Load	10 kg/m
Height (H)	60 mm
Width (W)	600 mm



Order code	No	Material List
3049008	1	60 UKFG 600 Cable Tray
5000169	2	T Support M8*500
3191265	3	Adjustable Support Connector
3191265	4	TS700 Console
5000023	5	M10 Dowel



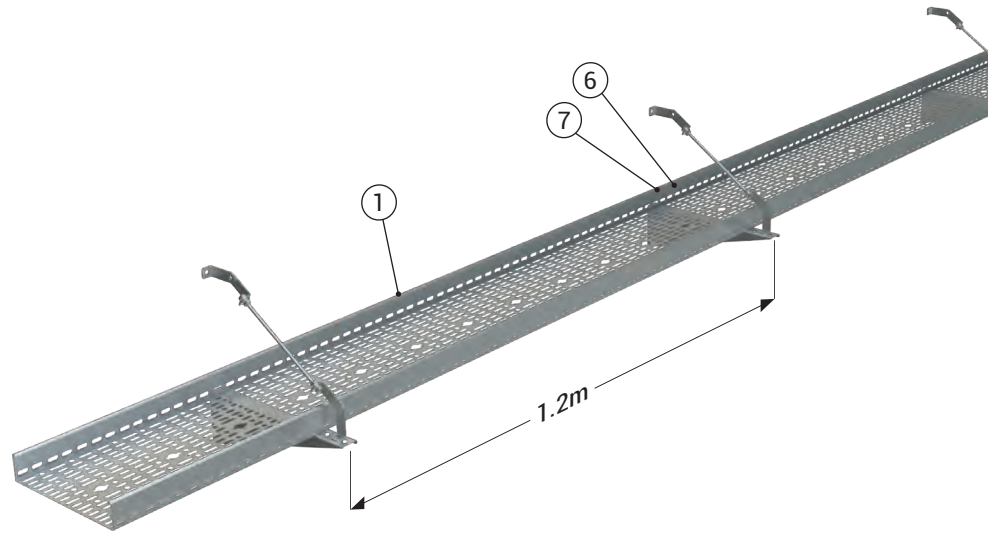
Tested Cable Parameters				
Manufacturer	Type	Class	Cable size (mm)	Installation Type
FABER	(N)HXH-O 4X1,5 RE FE180/E90 0,6/1kV	E30	4x1,5	Wall
FABER	(N)HXH-O 4X50 RE FE180/E90 0,6/1kV	E90	4x50	Wall

# FIRE RESISTANT SYSTEMS

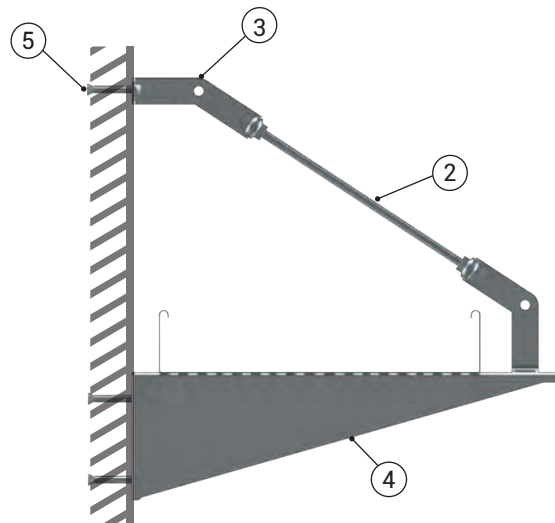
## ►►2021 Fire Test Report System-3



Test Parameters	
Support Distance	1,2 m
Maximum Load	10 kg/m
Height (H)	50 mm
Width (W)	600 mm



Order code	No	Material List
3240939	1	60 UKE 300 Cable Tray
5000169	2	T Support M8*500
3191265	3	Adjustable Support Connector
3008544	4	TS400 Console
5000023	5	M10 Dowel
3006162	6	60 UKE Joint Fitting
1004314	7	M6 X 12 Bolt Set

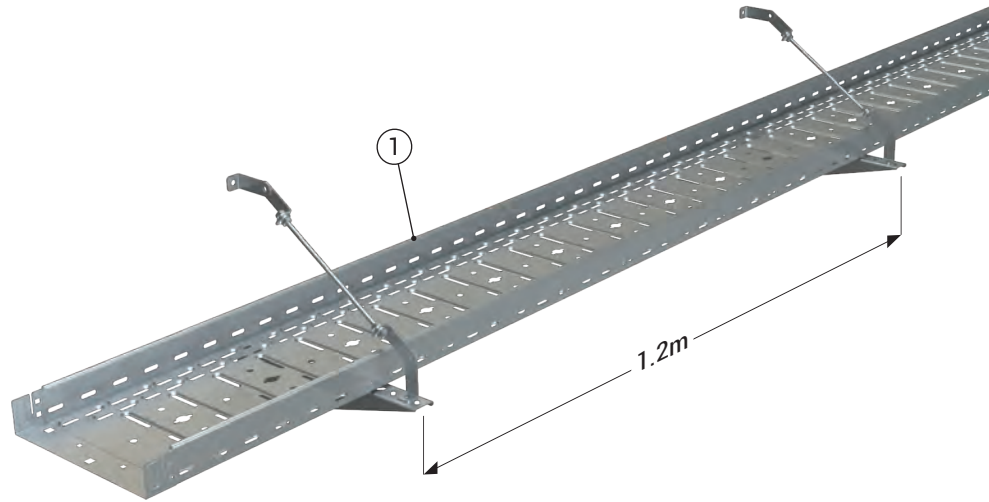


Tested Cable Parameters				
Manufacturer	Type	Class	Cable size (mm)	Installation Type
FABER	(N)HXH-O 4X1,5 RE FE180/E90 0,6/1kV	E90	4x1,5	Wall
FABER	(N)HXH-O 4X50 RE FE180/E90 0,6/1kV	E60	4x50	Wall

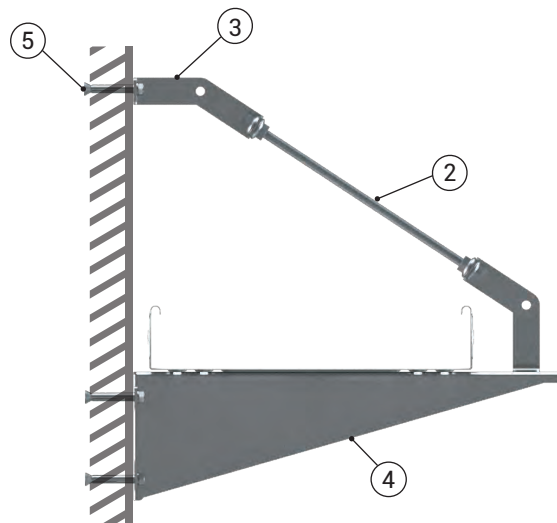
# FIRE RESISTANT SYSTEMS

## ►►2021 Fire Test Report System-4

Test Parameters	
Support Distance	1,2 m
Maximum Load	10 kg/m
Height (H)	60 mm
Width (W)	300 mm



Order code	No	Material List
3047903	1	60 UKFG 300 CABLE TRAY
5000169	2	T SUPPORT M8*500
3191265	3	ADJUSTABLE SUPPORT CONNECTOR
3008544	4	TS400 CONSOLE
5000023	5	M10 Dowel

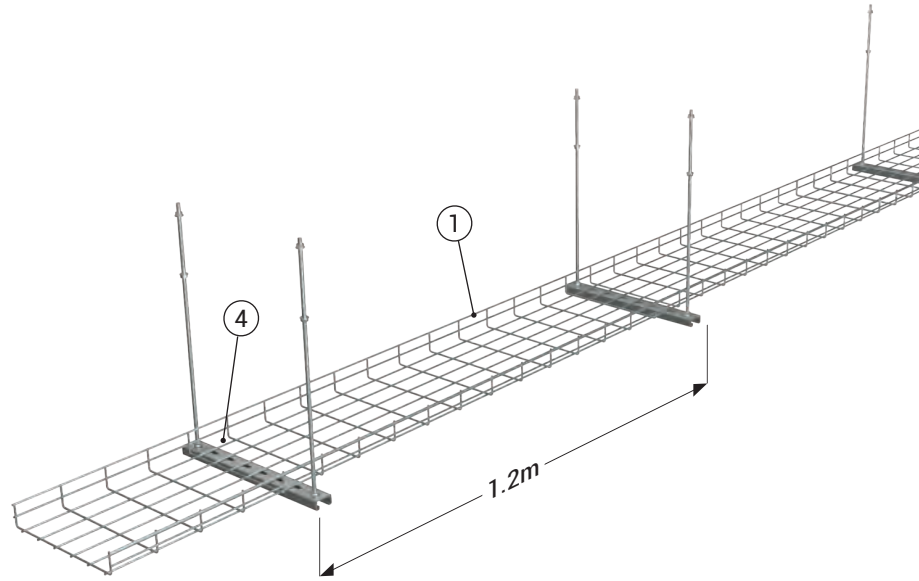


Tested Cable Parameters				
Manufacturer	Type	Class	Cable size (mm)	Installation Type
FABER	(N)HXH-O 4X1,5 RE FE180/E90 0,6/1kV	E60	4x1,5	Wall
FABER	(N)HXH-O 4X50 RE FE180/E90 0,6/1kV	E90	4x50	Wall

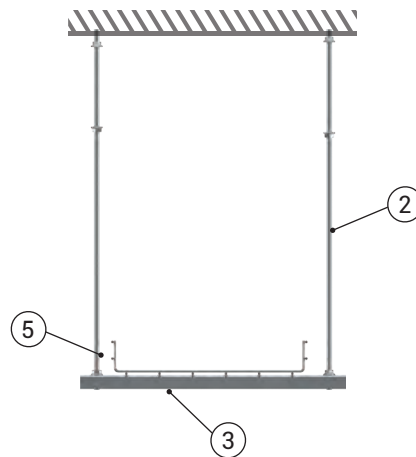
# FIRE RESISTANT SYSTEMS

## ►►2021 Fire Test Report System-5

Test Parameters	
Support Distance	1,2 m
Maximum Load	10 kg/m
Height (H)	55 mm
Width (W)	300 mm



Order code	No	Material List
3178504	1	55 TLS 300 Wire Mesh Tray
5000170	2	T Support (M8 X 500)
3008330	3	BINRAK 201 Profile
3000624	4	TLS Joint Fitting
1000521	5	M8 Nut



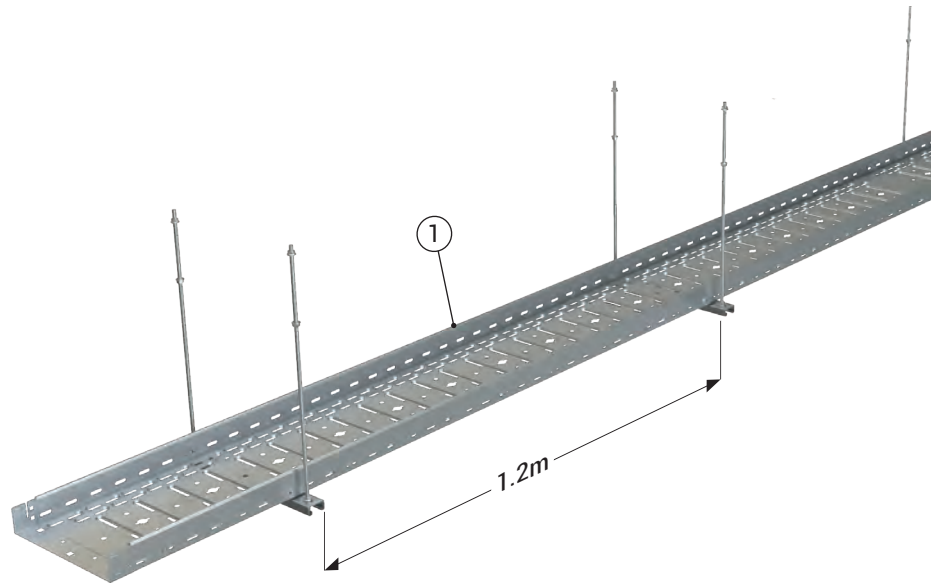
### Tested Cable Parameters

Manufacturer	Type	Class	Cable size (mm)	Installation Type
FABER	(N)HXH-O 4X1,5 RE FE180/E90 0,6/1kV	E90	4x1,5	Ceiling
FABER	(N)HXH-O 4X50 RE FE180/E90 0,6/1kV	E90	4x50	Ceiling

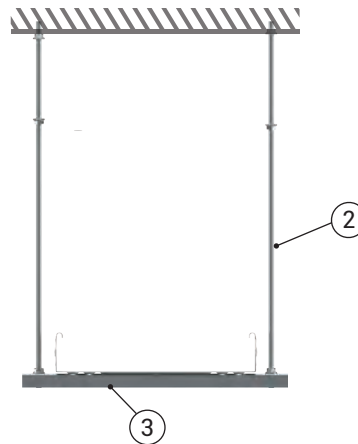
# FIRE RESISTANT SYSTEMS

## ►►2021 Fire Test Report System-6

Test Parameters	
Support Distance	1,2 m
Maximum Load	10 kg/m
Height (H)	60 mm
Width (W)	300 mm



Order code	No	Material List
3047903	1	60 UKFG 300 Cable Ray
5000170	2	T Support (M8 X 500)
3008330	3	BINRAK 201 Pprofile
1000521	4	M8 Nut



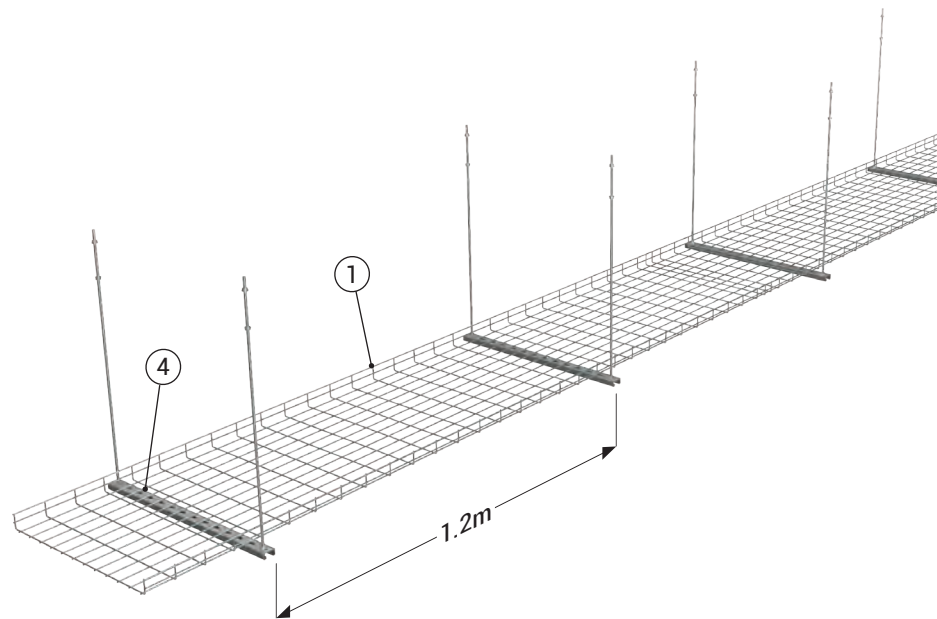
### Tested Cable Parameters

Manufacturer	Type	Class	Cable size (mm)	Installation Type
FABER	(N)HXH-O 4X1,5 RE FE180/E90 0,6/1kV	E30	4x1,5	Ceiling
FABER	(N)HXH-O 4X50 RE FE180/E90 0,6/1kV	E90	4x50	Ceiling

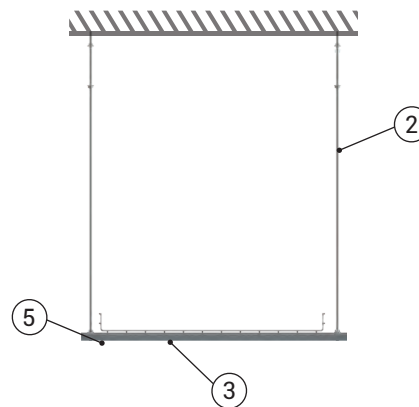
# FIRE RESISTANT SYSTEMS

## ►►2021 Fire Test Report System-7

Test Parameters	
Support Distance	1,2 m
Maximum Load	10 kg/m
Height (H)	55 mm
Width (W)	600 mm



Order code	No	Material List
3178507	1	55 TLS 300 Wire Mesh Tray
5000170	2	T Support (M8 X 500)
3008330	3	BINRAK 201 Profile
3000624	4	TLS Joint Fitting
1000521	5	M8 Nut



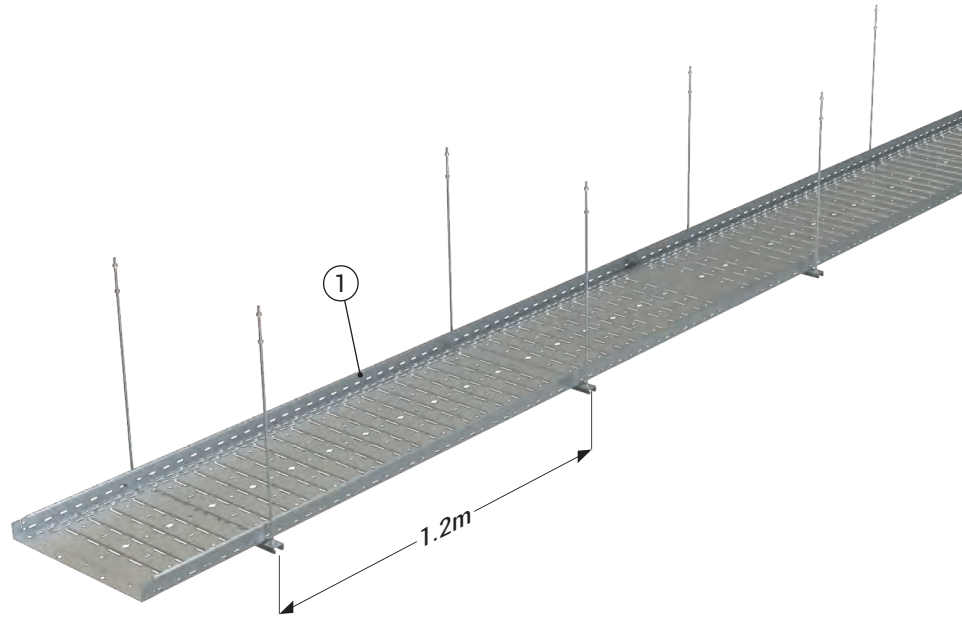
Tested Cable Parameters				
Manufacturer	Type	Class	Cable size (mm)	Installation Type
FABER	(N)HXH-O 4X1,5 RE FE180/E90 0,6/1kV	E30	4x1,5	Ceiling
FABER	(N)HXH-O 4X50 RE FE180/E90 0,6/1kV	E90	4x50	Ceiling



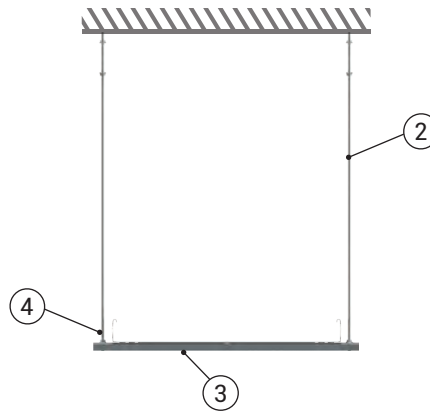
# FIRE RESISTANT SYSTEMS

## ►►2021 Fire Test Report System-8

Test Parameters	
Support Distance	1,2 m
Maximum Load	10 kg/m
Height (H)	60 mm
Width (W)	600 mm



Order code	No	Material List
3047906	1	60 UKFG 600 Cable Tray
5000170	2	T Support (M8 X 500)
3008330	3	BINRAK 201 Profile
1000521	4	M8 Nut

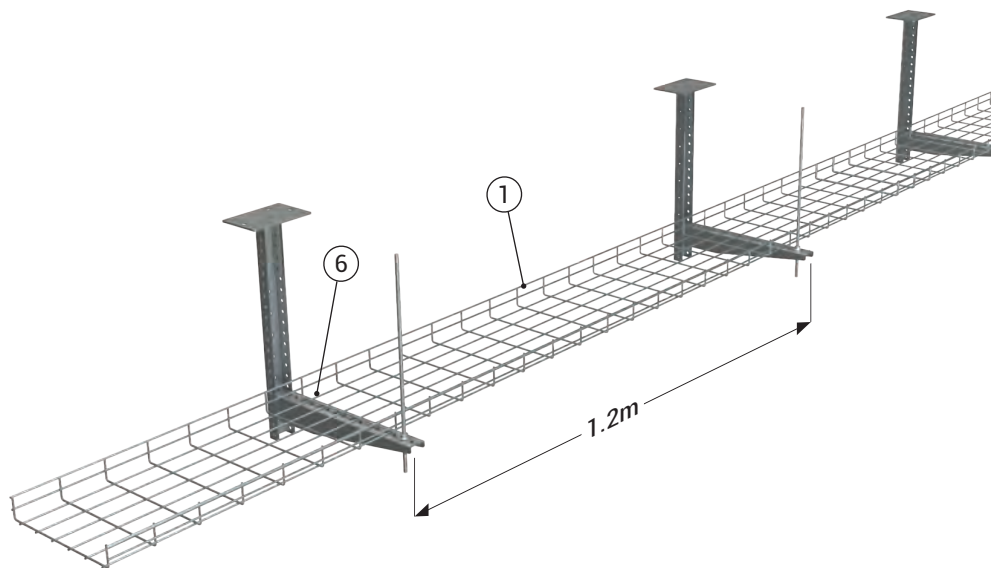


Tested Cable Parameters				
Manufacturer	Type	Class	Cable size (mm)	Installation Type
FABER	(N)HXH-O 4X1,5 RE FE180/E90 0,6/1kV	E30	4x1,5	Ceiling
FABER	(N)HXH-O 4X50 RE FE180/E90 0,6/1kV	E60	4x50	Ceiling

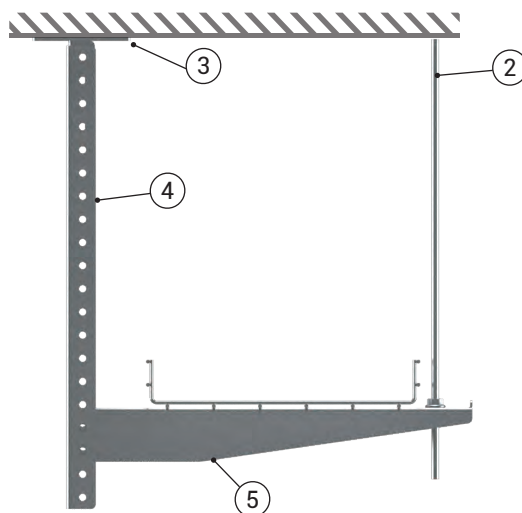
# FIRE RESISTANT SYSTEMS

## ►►2021 Fire Test Report System-9

Test Parameters	
Support Distance	1,2 m
Maximum Load	10 kg/m
Height (H)	55 mm
Width (W)	300 mm



Order code	No	Material List
3178504	1	55 TLS 300 Wire Mesh Tray
5000169	2	T Support (M8 X 500)
3008382	3	TMP8 Mounting Fitting
3008583	4	ASU 2A Support Extension Unit
3008561	5	TS400 Console
3000624	6	TLS Joint Fitting
1004314	7	M6 X 12 Bolt Set



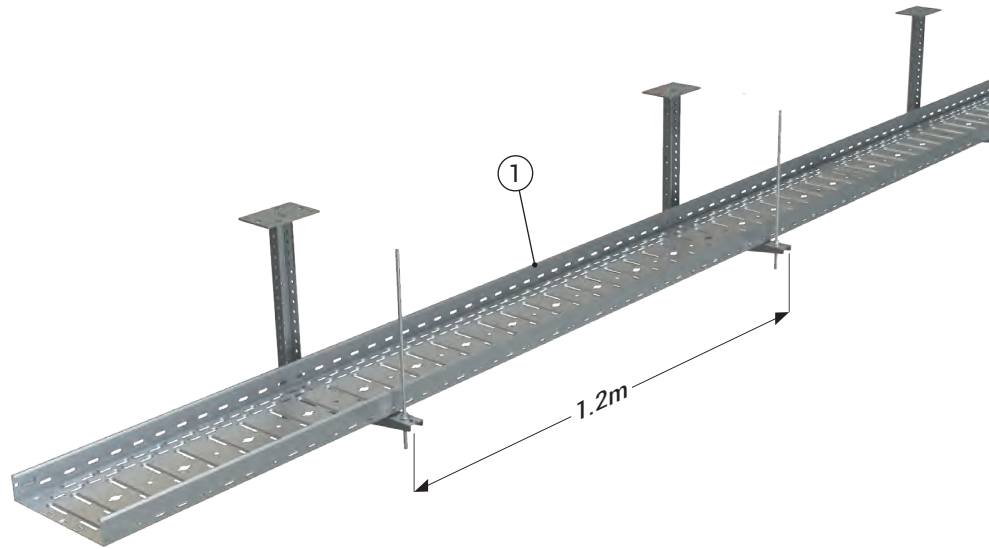
### Tested Cable Parameters

Manufacturer	Type	Class	Cable size (mm)	Installation Type
FABER	(N)HXH-O 4X1,5 RE FE180/E90 0,6/1kV	E90	4x1,5	Ceiling
FABER	(N)HXH-O 4X50 RE FE180/E90 0,6/1kV	E90	4x50	Ceiling

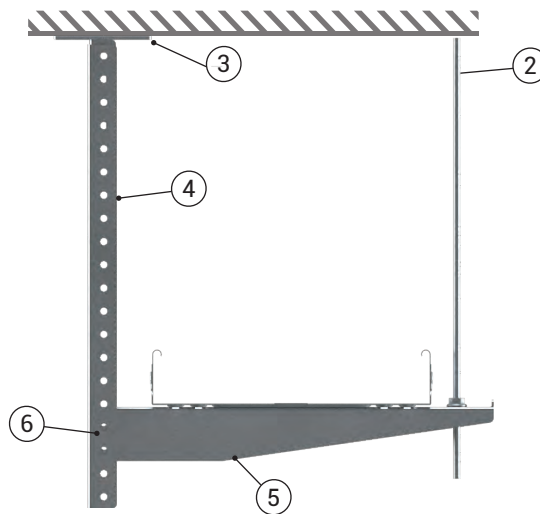
# FIRE RESISTANT SYSTEMS

## ►►2021 Fire Test Report System-10

Test Parameters	
Support Distance	1,2 m
Maximum Load	10 kg/m
Height (H)	60 mm
Width (W)	300 mm



Order code	No	Material List
3047903	1	60 UKFG 300 Cable Tray
5000169	2	T Support (M8 X 500)
3008382	3	TMP8 Mounting Fitting
3008583	4	ASU 2A Support Extension Unit
3008561	5	TS400 Console
1004314	6	M6 X 12 Bolt Set



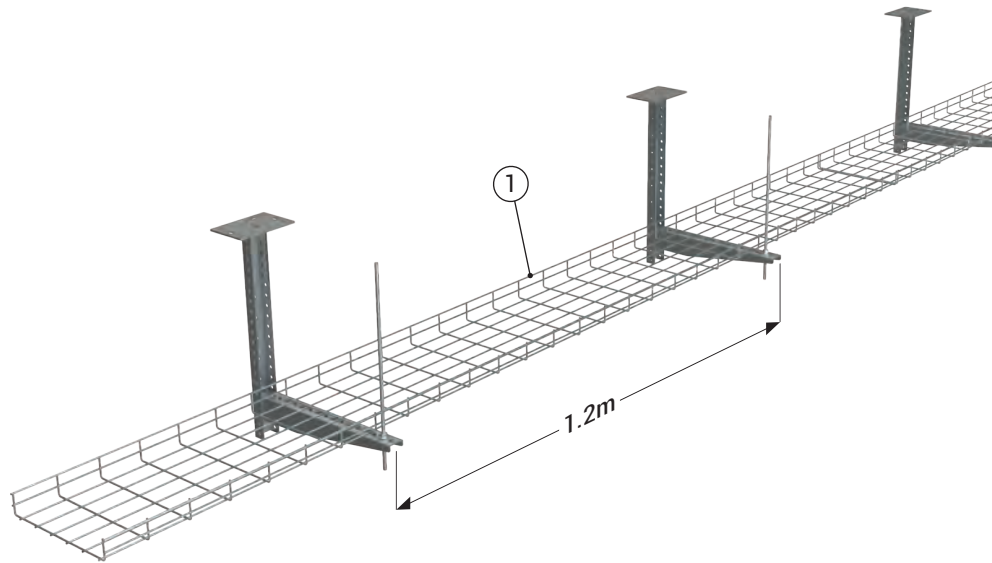
### Tested Cable Parameters

Manufacturer	Type	Class	Cable size (mm)	Installation Type
FABER	(N)HXH-O 4X1,5 RE FE180/E90 0,6/1kV	E60	4x1,5	Ceiling
FABER	(N)HXH-O 4X50 RE FE180/E90 0,6/1kV	E90	4x50	Ceiling

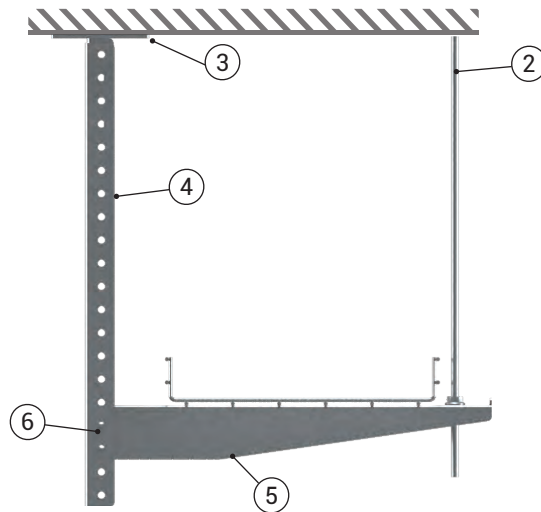
# FIRE RESISTANT SYSTEMS

## ►►2021 Fire Test Report System-11

Test Parameters	
Support Distance	1,2 m
Maximum Load	10 kg/m
Height (H)	60 mm
Width (W)	600 mm



Order code	No	Material List
3178507	1	55 TLS 600 Wire Mesh
5000169	2	T Support (M8 X 500)
3008382	3	TMP8 Mounting Fitting
3008583	4	ASU 2A Support Extension Unit
3191265	5	TS700 Console
3000624	6	TLS Joint Fitting
1004314	7	M6 X 12 Bolt Set

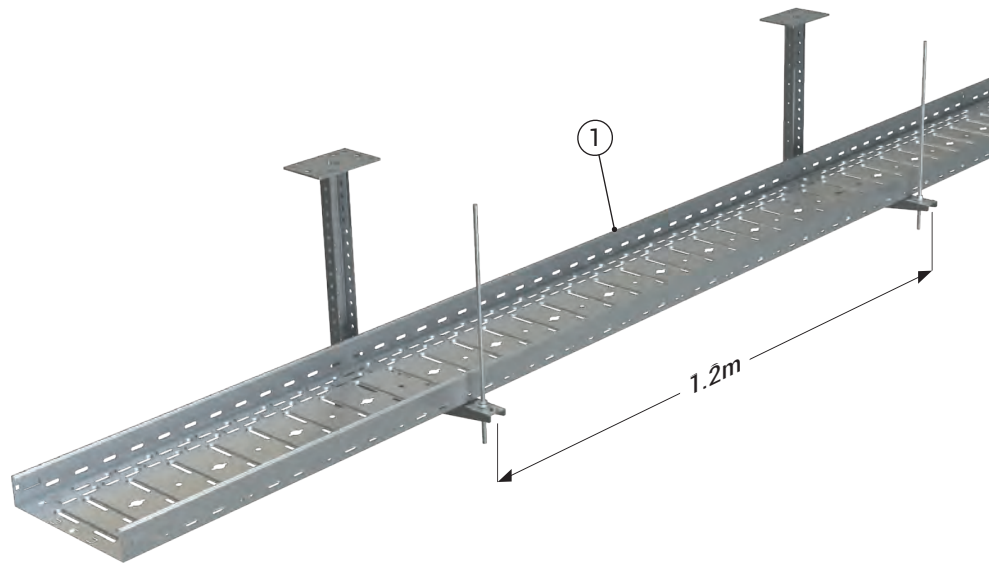


Tested Cable Parameters				
Manufacturer	Type	Class	Cable size (mm)	Installation Type
FABER	(N)HXH-O 4X1,5 RE FE180/E90 0,6/1kV	E90	4x1,5	Ceiling
FABER	(N)HXH-O 4X50 RE FE180/E90 0,6/1kV	E90	4x50	Ceiling

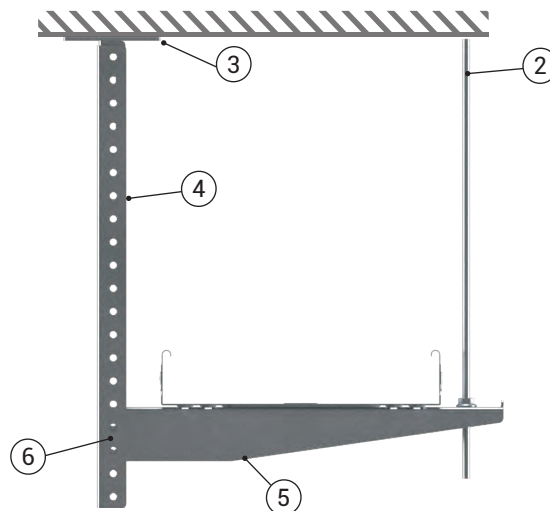
# FIRE RESISTANT SYSTEMS

## ►►2021 Fire Test Report System-12

Test Parameters	
Support Distance	1,2 m
Maximum Load	10 kg/m
Height (H)	60 mm
Width (W)	600 mm



Order code	No	Material List
3047903	1	60 UKFG 600 Cable Tray
5000169	2	T Support (M8 X 500)
3008382	3	TMP8 Mounting Fitting
3008583	4	ASU 2A Support Extension Unit
3191265	5	TS700 Console
1004314	6	M6 X 12 Bolt Set



Tested Cable Parameters				
Manufacturer	Type	Class	Cable size (mm)	Installation Type
FABER	(N)HXH-O 4X1,5 RE FE180/E90 0,6/1kV	E30	4x1,5	Ceiling
FABER	(N)HXH-O 4X50 RE FE180/E90 0,6/1kV	E60	4x50	Ceiling



# PRODUCT TYPES

**BUSWAY ENERGY DISTRIBUTION SYSTEMS**

---



**CABLE TRAYS**

---



**TROLLEY BUSWAY ENERGY DISTRIBUTION SYSTEMS**

---



**INDOOR SOLUTIONS**

---



**SUPPORT SYSTEMS**

---



EAE Elektrik  
Genel Merkez  
Akçaburgaz Mahallesi,  
3114. Sokak, No:10 34522  
Esenyurt - İstanbul  
Tel: 0 (212) 866 20 00  
Faks: 0 (212) 886 24 20

EAE DL 1 Fabrikası  
Kablo Kanalı  
Gebze IV İstanbul Makine ve Sanayicileri  
Organize Bölgesi, 6. Cadde,  
No: 2 41455 Demirciler Köyü,  
Dilovası – Kocaeli  
Tel: 0 (262) 999 05 55  
Faks: 0 (262) 502 05 70

Please visit our website for the updated version of our catalogues.  
[www.eaelectric.com](http://www.eaelectric.com)



Brochure 11-En. / Rev. 04 0 pcs 01/07/2024  
D.S.

EAE has full right to make any revisions or changes on this catalogue without any prior notice.

